



PHONES

0 (800) 800 130  
(050) 462 0 130  
(063) 462 0 130  
(067) 462 0 130

130  
COM.UA

Internet store of  
autogoods



SKYPE

km-130

CAR RECEIVERS — Receivers • Media receivers and stations • Native receivers • CD/DVD changers • FM-modulators/USB adapters • Flash memory • Facia plates and adapters • Antennas • Accessories |  
CAR AUDIO — Car audio speakers • Amplifiers • Subwoofers • Processors • Crossovers • Headphones • Accessories | TRIP COMPUTERS — Universal computers • Model computers • Accessories |  
GPS NAVIGATORS — Portable GPS • Built-in GPS • GPS modules • GPS trackers • Antennas for GPS navigators • Accessories | VIDEO — DVR • TV sets and monitors • Car TV tuners • Cameras • Videomodules  
• Transcoders • Car TV antennas • Accessories | SECURITY SYSTEMS — Car alarms • Bike alarms • Mechanical blockers • Immobilizers • Sensors • Accessories | OPTIC AND LIGHT — Xenon • Bixenon • Lamps  
• LED • Stroboscopes • Optic and Headlights • Washers • Light, rain sensors • Accessories | PARKTRONICS AND MIRRORS — Rear parktronic • Front parktronic • Combined parktronic • Rear-view mirrors  
• Accessories | HEATING AND COOLING — Seat heaters • Mirrors heaters • Screen-wipers heaters • Engine heaters • Auto-refrigerators • Air conditioning units • Accessories | TUNING — Vibro-isolation  
• Noise-isolation • Tint films • Accessories | ACCESSORIES — Radar-detectors • Handsfree, Bluetooth • Windowlifters • Compressors • Beeps, loudspeakers • Measuring instruments • Cleaners • Car seats  
• Miscellaneous | MOUNTING — Installation kits • Upholstery • Grilles • Tubes • Cable and wire • Tools • Miscellaneous | POWER — Batteries • Converters • Start-charging equipment • Capacitors  
• Accessories | MARINE AUDIO AND ELECTRONICS — Marine receivers • Marine audio speakers • Marine subwoofers • Marine amplifiers • Accessories | CAR CARE PRODUCTS — Additives • Washer fluid •  
Care accessories • Car polish • Flavors • Adhesives and sealants | LIQUID AND OIL — Motor oil • Transmission oil • Brake fluid • Antifreeze • Technical lubricant



In store "130" you can find and buy almost all necessary goods for your auto in Kyiv and other cities, delivery by ground and postal services. Our experienced consultants will provide you with exhaustive information and help you to choose the very particular thing. We are waiting for you at the address

<https://130.com.ua>

**DEWALT®**

130.com.ua

**www.DeWALT.com**

**DWD241**

ENGLISH

---

English (*original instructions*) 3

---

Русский (*перевод с оригинала инструкции*) 8

---

Türkçe (*orijinal talimatlardan çevrilmiştir*) 15

---

Англійська (*оригінальні інструкції*) 22

---

130.com.ua

Fig. A

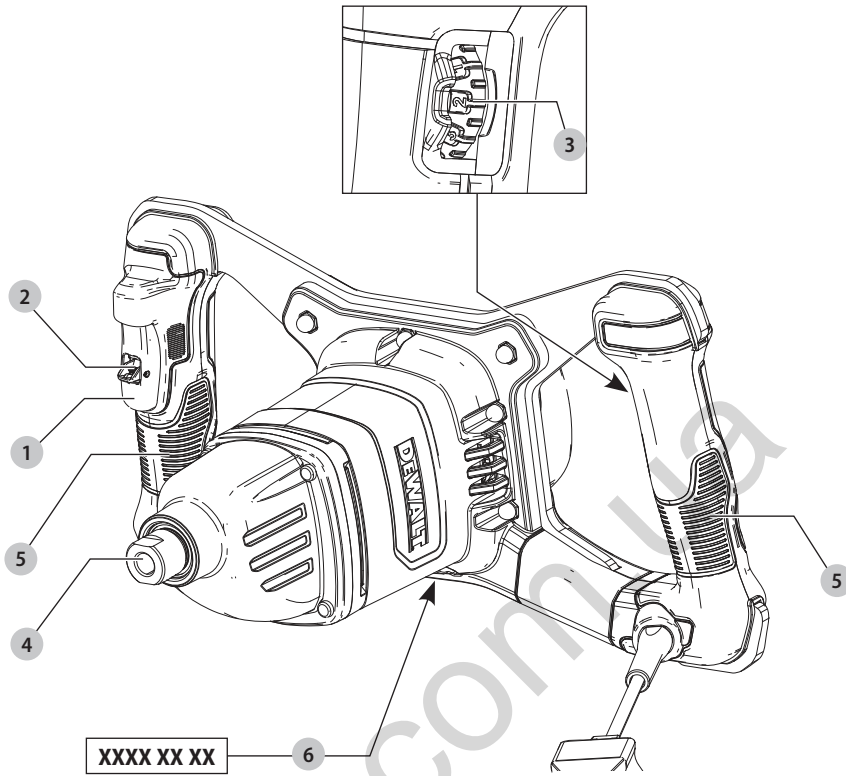


Fig. B

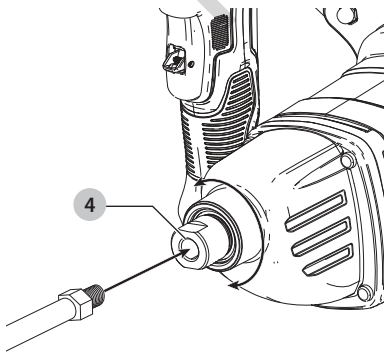


Fig. C

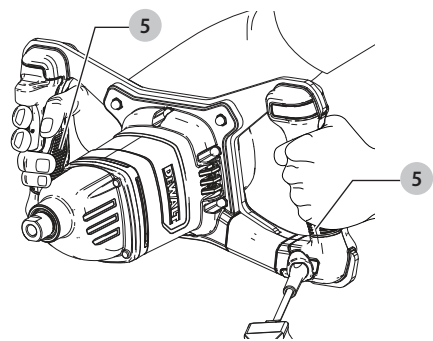
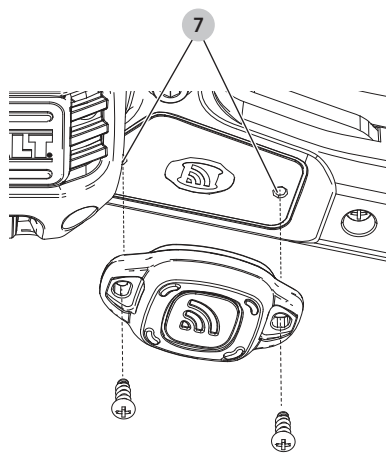


Fig. D



130.com.ua

# DUAL HANDLE PADDLE MIXER

## DWD241

### Congratulations!

You have chosen a DEWALT tool. Years of experience, thorough product development and innovation make DEWALT one of the most reliable partners for professional power tool users.

### Technical Data

		DWD241	DWD241-LX
Voltage	V <sub>Ac</sub>	230	115
UK & Ireland	V <sub>Ac</sub>	230	115
Type		1	1
Power input	W	1800	1600
Speed 1	/min	225–400	225–400
Speed 2	/min	225–550	225–550
Speed 3	/min	225–725	225–725
Max. paddle diameter	mm	160	160
Spindle thread size		M14	M14
Weight	kg	6.3	6.55

Noise values and/or vibration values (triaux vector sum) according to EN62841-2-10:

L <sub>PA</sub> (emission sound pressure level)	dB(A)	85	85
L <sub>WA</sub> (sound power level)	dB(A)	96	96
K (uncertainty for the given sound level)	dB(A)	3	3
Vibration with simulated mixer basket a <sub>h</sub> =	m/s <sup>2</sup>	< 2.5	< 2.5
Uncertainty K =	m/s <sup>2</sup>	1.5	1.5

The vibration and/or noise emission level given in this information sheet has been measured in accordance with a standardised test given in EN62841 and may be used to compare one tool with another. It may be used for a preliminary assessment of exposure.

**WARNING:** The declared vibration and/or noise emission level represents the main applications of the tool. However if the tool is used for different applications, with different accessories or poorly maintained, the vibration and/or noise emission may differ. This may significantly increase the exposure level over the total working period.

An estimation of the level of exposure to vibration and/or noise should also take into account the times when the tool is switched off or when it is running but not actually doing the job. This may significantly reduce the exposure level over the total working period.

Identify additional safety measures to protect the operator from the effects of vibration and/or noise such as: maintain the tool and the accessories, keep the hands warm (relevant for vibration), organisation of work patterns.

### EC-Declaration of Conformity

#### Machinery Directive



#### Dual Handle Paddle Mixer DWD241

DEWALT declares that these products described under **Technical Data** are in compliance with: 2006/42/EC, EN62841-1:2015, EN62841-2-10:2017.

These products also comply with Directive 2014/30/EU and 2011/65/EU. For more information, please contact DEWALT at the following address or refer to the back of the manual.

The undersigned is responsible for compilation of the technical file and makes this declaration on behalf of DEWALT.

Markus Rompel  
Vice-President Engineering, PTE-Europe  
DEWALT, Richard-Klinger-Straße 11,  
D-65510, Idstein, Germany  
02.08.2019



**WARNING:** To reduce the risk of injury, read the instruction manual.

### Definitions: Safety Guidelines

The definitions below describe the level of severity for each signal word. Please read the manual and pay attention to these symbols.



**DANGER:** Indicates an imminently hazardous situation which, if not avoided, **will** result in **death or serious injury**.



**WARNING:** Indicates a potentially hazardous situation which, if not avoided, **could** result in **death or serious injury**.



**CAUTION:** Indicates a potentially hazardous situation which, if not avoided, **may** result in **minor or moderate injury**.

**NOTICE:** Indicates a practice **not related to personal injury** which, if not avoided, **may** result in **property damage**.



Denotes risk of electric shock.



Denotes risk of fire.

## GENERAL POWER TOOL SAFETY WARNINGS



**WARNING:** Read all safety warnings, instructions, illustrations and specifications provided with this power tool. Failure to follow all instructions listed below may result in electric shock, fire and/or serious injury.

### SAVE ALL WARNINGS AND INSTRUCTIONS FOR FUTURE REFERENCE

The term "power tool" in the warnings refers to your mains-operated (corded) power tool or battery-operated (cordless) power tool.

#### 1) Work Area Safety

- a) **Keep work area clean and well lit.** Cluttered or dark areas invite accidents.
- b) **Do not operate power tools in explosive atmospheres, such as in the presence of flammable liquids, gases or dust.** Power tools create sparks which may ignite the dust or fumes.
- c) **Keep children and bystanders away while operating a power tool.** Distractions can cause you to lose control.

#### 2) Electrical Safety

- a) **Power tool plugs must match the outlet. Never modify the plug in any way. Do not use any adapter plugs with earthed (grounded) power tools.** Unmodified plugs and matching outlets will reduce risk of electric shock.
- b) **Avoid body contact with earthed or grounded surfaces, such as pipes, radiators, ranges and refrigerators.** There is an increased risk of electric shock if your body is earthed or grounded.
- c) **Do not expose power tools to rain or wet conditions.** Water entering a power tool will increase the risk of electric shock.
- d) **Do not abuse the cord. Never use the cord for carrying, pulling or unplugging the power tool. Keep cord away from heat, oil, sharp edges or moving parts.** Damaged or entangled cords increase the risk of electric shock.
- e) **When operating a power tool outdoors, use an extension cord suitable for outdoor use.** Use of a cord suitable for outdoor use reduces the risk of electric shock.
- f) **If operating a power tool in a damp location is unavoidable, use a residual current device (RCD) protected supply.** Use of an RCD reduces the risk of electric shock.

#### 3) Personal Safety

- a) **Stay alert, watch what you are doing and use common sense when operating a power tool. Do not use a power tool while you are tired or under the influence of drugs, alcohol or medication.** A moment of inattention while operating power tools may result in serious personal injury.
- b) **Use personal protective equipment. Always wear eye protection.** Protective equipment such as a dust mask, non-skid safety shoes, hard hat or hearing protection used for appropriate conditions will reduce personal injuries.

- c) **Prevent unintentional starting. Ensure the switch is in the off-position before connecting to power source and/or battery pack, picking up or carrying the tool.** Carrying power tools with your finger on the switch or energising power tools that have the switch on invites accidents.
- d) **Remove any adjusting key or wrench before turning the power tool on.** A wrench or a key left attached to a rotating part of the power tool may result in personal injury.
- e) **Do not overreach. Keep proper footing and balance at all times.** This enables better control of the power tool in unexpected situations.
- f) **Dress properly. Do not wear loose clothing or jewellery. Keep your hair and clothing away from moving parts.** Loose clothes, jewellery or long hair can be caught in moving parts.
- g) **If devices are provided for the connection of dust extraction and collection facilities, ensure these are connected and properly used.** Use of dust collection can reduce dust-related hazards.
- h) **Do not let familiarity gained from frequent use of tools allow you to become complacent and ignore tool safety principles.** A careless action can cause severe injury within a fraction of a second.

#### 4) Power Tool Use and Care

- a) **Do not force the power tool. Use the correct power tool for your application.** The correct power tool will do the job better and safer at the rate for which it was designed.
- b) **Do not use the power tool if the switch does not turn it on and off.** Any power tool that cannot be controlled with the switch is dangerous and must be repaired.
- c) **Disconnect the plug from the power source and/or remove the battery pack, if detachable, from the power tool before making any adjustments, changing accessories, or storing power tools.** Such preventive safety measures reduce the risk of starting the power tool accidentally.
- d) **Store idle power tools out of the reach of children and do not allow persons unfamiliar with the power tool or these instructions to operate the power tool.** Power tools are dangerous in the hands of untrained users.
- e) **Maintain power tools and accessories. Check for misalignment or binding of moving parts, breakage of parts and any other condition that may affect the power tool's operation. If damaged, have the power tool repaired before use.** Many accidents are caused by poorly maintained power tools.
- f) **Keep cutting tools sharp and clean.** Properly maintained cutting tools with sharp cutting edges are less likely to bind and are easier to control.
- g) **Use the power tool, accessories and tool bits etc. in accordance with these instructions, taking into account the working conditions and the work to be performed.** Use of the power tool for operations different from those intended could result in a hazardous situation.

- h) **Keep handles and grasping surfaces dry, clean and free from oil and grease.** Slippery handles and grasping surfaces do not allow for safe handling and control of the tool in unexpected situations.

## 5) Service

- a) **Have your power tool serviced by a qualified repair person using only identical replacement parts.** This will ensure that the safety of the power tool is maintained.

## Mixer Safety Instructions

- a) **Hold the tool with both hands at the intended handles.** Loss of control can cause personal injury.
- b) **Ensure sufficient ventilation when mixing flammable materials to avoid a hazardous atmosphere.** Developing vapour may be inhaled or be ignited by the sparks the power tool produces.
- c) **Do not mix food.** Power tools and their accessories are not designed for processing food.
- d) **Keep the cord away from the working area.** The cord may be entangled by the mixer basket.
- e) **Ensure the mixing container is placed in a firm and secure position.** A container that is not properly secured may move unexpectedly.
- f) **Ensure that no liquid splashes against the housing of the power tool.** Liquid that has penetrated the power tool can cause damage and lead to electric shock.
- g) **Follow the instructions and warnings for the material to be mixed.** Material to be mixed may be harmful.
- h) **If the power tool falls into the material to be mixed, unplug the tool immediately and have the power tool checked by a qualified repair person.** Reaching into the bucket with the tool still plugged in can lead to electric shock.
- i) **Do not reach into the mixing container with your hands or insert any other objects into it while mixing.** Contact with the mixer basket may lead to serious personal injury.
- j) **Start up and run down the tool in the mixing container only.** The mixer basket may bend or spin in an uncontrolled manner.

## Additional Safety Rules for Paddle Mixers

- a) **Take into account that there will be a reactionary torsional momentum.**
- b) **Load the machine in such a way that the speed does not decrease too much or the machine is forced to stop.**
- c) **When working with dust, you must wear respiratory protection.** Inhaling the dust may damage the respiratory tract.



**WARNING:** We recommend the use of a residual current device with a residual current rating of 30mA or less.

## Residual Risks

In spite of the application of the relevant safety regulations and the implementation of safety devices, certain residual risks cannot be avoided. These are:

- Impairment of hearing.
- Risk of personal injury due to flying particles.
- Risk of burns due to accessories becoming hot during operation.
- Risk of personal injury due to prolonged use.
- A concentration of dust which is harmful to health when working in an area that is not sufficiently ventilated.

## SAVE THESE INSTRUCTIONS

## Electrical Safety

The electric motor has been designed for one voltage only. Always check that the power supply corresponds to the voltage on the rating plate.



Your DEWALT tool is double insulated in accordance with EN62841; therefore no earth wire is required.

If the supply cord is damaged, it must be replaced only by DEWALT or an authorised service organisation.

## Mains Plug Replacement (U.K. & Ireland Only)

If a new mains plug needs to be fitted:

- Safely dispose of the old plug.
- Connect the brown lead to the live terminal in the plug.
- Connect the blue lead to the neutral terminal.



**WARNING:** No connection is to be made to the earth terminal.

Follow the fitting instructions supplied with good quality plugs. Recommended fuse: 13 A.

## Using an Extension Cable

If an extension cable is required, use an approved 3-core extension cable suitable for the power input of this tool (see **Technical Data**). The minimum conductor size is 1.5 mm<sup>2</sup>; the maximum length is 30 m.

When using a cable reel, always unwind the cable completely.

## Package Contents

The package contains:

- 1 Dual handle paddle mixer
  - 2 Wrenches
  - 1 160 mm paddle
  - 1 Instruction manual
- Check for damage to the tool, parts or accessories which may have occurred during transport.
  - Take the time to thoroughly read and understand this manual prior to operation.



## Markings on Tool

The following pictograms are shown on the tool:



Read instruction manual before use.



Wear ear protection.



Wear eye protection.

## Date Code Position (Fig. A)

The date code **6**, which also includes the year of manufacture, is printed into the housing.

Example:

2019 XX XX  
Year of Manufacture

## Description (Fig. A)



**WARNING:** Never modify the power tool or any part of it. Damage or personal injury could result.

- 1 Variable speed trigger switch
- 2 Lock off lever
- 3 Variable speed dial
- 4 Paddle holder
- 5 Dual handle

## Intended Use

Your dual handle paddle mixer is designed for professional mixing applications.

**DO NOT** use under wet conditions or in the presence of flammable liquids or gases.

Your dual handle paddle mixer is a professional power tool.

**DO NOT** let children come into contact with the tool.

Supervision is required when inexperienced operators use this tool.

- **Young children and the infirm.** This appliance is not intended for use by young children or infirm persons without supervision.
- This product is not intended for use by persons (including children) suffering from diminished physical, sensory or mental abilities; lack of experience, knowledge or skills unless they are supervised by a person responsible for their safety. Children should never be left alone with this product.

## ASSEMBLY AND ADJUSTMENTS



**WARNING:** To reduce the risk of serious personal injury, turn tool off and disconnect tool from power source before making any adjustments or removing/installing attachments or accessories. An accidental start-up can cause injury.

## Inserting and Removing a Paddle (Fig. B)

1. Insert the paddle thread into paddle holder **4** by turning it clockwise.
2. Tighten the paddle with the 2 included wrenches.
3. To remove the paddle, proceed in reverse order.

## DeWALT ToolConnect Tag Ready (Fig. D)

### Optional Accessory

Your mixer has a location point for mounting a DeWALT ToolConnect Tag. The DeWALT ToolConnect Tag is designed for tracking and locating professional power tools, equipment and machines using the DeWALT ToolConnect app. To install the tag, remove the screws from the mounting holes **7** using a cross bit screwdriver. Then proceed to mount the ToolConnect Tag by following the instructions in the ToolConnect manual.

## OPERATION

### Instructions for Use



**WARNING:** Always observe the safety instructions and applicable regulations.



**WARNING:** To reduce the risk of serious personal injury, turn tool off and disconnect tool from power source before making any adjustments or removing/installing attachments or accessories. An accidental start-up can cause injury.

### Proper Hand Position (Fig. C)



**WARNING:** To reduce the risk of serious personal injury, ALWAYS use proper hand position as shown.



**WARNING:** To reduce the risk of serious personal injury, ALWAYS hold securely in anticipation of a sudden reaction.

Proper hand position requires one hand on each dual handle **5**.

### Running the Mixer (Fig. A)



**WARNING:**


- Do not use this tool to mix or pump easily combustible or explosive fluids (benzene, alcohol, etc.).
- Do not mix or stir inflammable liquids labelled accordingly.
- Always check the flammability warnings on any product before attempting to mix.

1. Hold the mixer with both hands.
2. To start the unit, press the lock off lever **2** and then the trigger **1** can be pulled in, turning on the unit.
3. To stop the tool, release the trigger.


During the mixing process you should guide the mixer around the container to ensure a more consistent mix. Continue until all of the material is completely mixed.


**NOTE:** Please follow the processing instructions of the manufacturer of the material.

Always be aware that the greater the viscosity of the material, the greater the impact of the torque forces on the mixer.


 **CAUTION:** If the mixer comes into contact with the surface of the mixing container while running, it may kickback.

### Variable Speed Dial (Fig. A)

 **WARNING:** Always switch off the tool when work is finished and disconnect the tool from the power source.


The variable speed dial  offers added control and enables the mixer to be used at optimum conditions to suit the material.

Turn the dial to the desired level. The higher the speed setting, the faster the rotation.

 **CAUTION:** ALWAYS reduce the speed when submerging the mixer in the material or lifting it out. Once the mixer is fully submerged, increase the speed again to ensure that the motor is adequately cooled.

## MAINTENANCE

Your power tool has been designed to operate over a long period of time with a minimum of maintenance. Continuous satisfactory operation depends upon proper tool care and regular cleaning.

 **WARNING:** To reduce the risk of serious personal injury, turn tool off and disconnect tool from power source before making any adjustments or removing/installing attachments or accessories. An accidental start-up can cause injury.




### Lubrication

Your power tool requires no additional lubrication.




### Cleaning

 **WARNING:** Blow dirt and dust out of the main housing with dry air as often as dirt is seen collecting in and around the air vents. Wear approved eye protection and approved dust mask when performing this procedure.

 **WARNING:** Never use solvents or other harsh chemicals for cleaning the non-metallic parts of the tool. These chemicals may weaken the materials used in these parts. Use a cloth dampened only with water and mild soap. Never let any liquid get inside the tool; never immerse any part of the tool into a liquid.

### Optional Accessories

 **WARNING:** Since accessories, other than those offered by DEWALT, have not been tested with this product, use of such accessories with this tool could be hazardous. To reduce the risk of injury, only DEWALT recommended accessories should be used with this product.

Consult your dealer for further information on the appropriate accessories.

## Protecting the Environment



Separate collection. Products marked with this symbol must not be disposed of with normal household waste.

Products contain materials that can be recovered or recycled reducing the demand for raw materials. Please recycle electrical products according to local provisions.

Further information is available at [www.2helpU.com](http://www.2helpU.com).

# МИКСЕР DWD241

## Поздравляем!

Вы приобрели инструмент DEWALT. Многолетний опыт, тщательная разработка изделий и инновационные делаю компанию DEWALT одним из самых надёжных партнеров для пользователей профессионального электроинструмента.

## Технические характеристики

		DWD241	DWD241-LX
Напряжение	В <sub>напр. тока</sub>	230	115
Тип		1	1
Потребляемая мощность	Вт	1800	1600
Скорость 1	об./мин	225-400	225-400
Скорость 2	об./мин	225-550	225-550
Скорость 3	об./мин	225-725	225-725
Макс. диаметр смесителя	мм	160	160
Размер резьбы шпинделя		M14	M14
Вес	кг	6,3	6,55

Значения шума и/или вибрации (сумма векторов в трех плоскостях) в соответствии с EN62841-2-10:

$L_{pa}$ (уровень звукового давления)	дБ(A)	85	85
$L_{wa}$ (уровень акустической мощности)	дБ(A)	96	96
K (погрешность измерения акустической мощности)	дБ(A)	3	3
Вибрация при работе имитационной насадкой-смесителем $a_{rh} =$	м/с <sup>2</sup>	< 2,5	< 2,5
Погрешность K =	м/с <sup>2</sup>	1,5	1,5

Значение шумовой эмиссии и/или эмиссии вибрации, указанное в данном справочном листке, было получено в соответствии со стандартным тестом, приведенным в EN62841, и может использоваться для сравнения инструментов. Кроме того, оно может использоваться для предварительной оценки воздействия вибрации.

**⚠ ОСТОРОЖНО!** Заявленное значение шумовой эмиссии и/или эмиссии вибрации относится к основным областям применения инструмента. Однако, если инструмент используется для различных целей, с различными дополнительными принадлежностями или при ненадлежащем уходе, то уровень шума и/или вибрации может измениться. Это может привести к значительному увеличению уровня воздействия вибрации в течение всего рабочего периода.

При расчете приблизительного значения уровня воздействия шума и/или вибрации также необходимо учитывать время, когда инструмент

выключен или то время, когда он работает на холостом ходу. Это может привести к значительному снижению уровня воздействия вибрации в течение всего рабочего периода.

Определите дополнительные меры техники безопасности для защиты оператора от воздействия шума и/или вибрации, а именно: поддержание инструмента и дополнительных принадлежностей в рабочем состоянии, создание комфортных условий работы (соответствующих вибрации), хорошая организация рабочего места.

## Декларация о соответствии нормам ЕС

### Директива по механическому оборудованию



### Миксер DWD241

DEWALT заявляет, что продукция, описанная в **Технические характеристики**, соответствует:

2006/42/EC, EN62841-1:2015, EN62841-2-10:2017.

Эти продукты также соответствуют Директиве 2014/30/EU и 2011/65/EU. За дополнительной информацией обращайтесь в компанию DEWALT по адресу, указанному ниже или приведенному на задней стороне обложки руководства.

Нижеподписавшийся несет ответственность за составление технической документации и составил данную декларацию по поручению компании DEWALT.

Маркус Ромпель  
Вице-президент отдела по разработке и производству,  
PTE-Europe  
DEWALT, Richard-Klinger-Straße 11,  
D-65510, Idstein, Германия  
02.08.2019



**ВНИМАНИЕ:** Во избежание риска получения травм ознакомьтесь с инструкцией.

## Обозначения: правила техники безопасности

Ниже описывается уровень опасности, обозначаемый каждым из предупреждений. Прочитайте руководство и обратите внимание на данные символы.



**ОПАСНО:** Обозначает опасную ситуацию, которая неизбежно приведет к серьезной травме или смертельному исходу, в случае несоблюдения соответствующих мер безопасности.

**⚠ ВНИМАНИЕ:** Указывает на потенциально опасную ситуацию, которая, в случае несоблюдения соответствующих мер безопасности, может привести к **серьезной травме или смертельному исходу.**

**⚠ ПРЕДУПРЕЖДЕНИЕ:** Указывает на потенциально опасную ситуацию, которая, в случае несоблюдения соответствующих мер безопасности **может** стать причиной травм **средней или легкой степени тяжести.**

**ПОЯСНЕНИЕ:** Указывает на практики, использование которых не связано с получением травмы, но если ими пренебречь, могут привести к **порче имущества.**

**⚡** Указывает на риск поражения электрическим током.

**🔥** Указывает на риск возгорания.

## ОБЩИЕ ПРАВИЛА ТЕХНИКИ БЕЗОПАСНОСТИ ПРИ ИСПОЛЬЗОВАНИИ ЭЛЕКТРОИНСТРУМЕНТОВ

**⚠ ВНИМАНИЕ:** Прочитайте и просмотрите все предупреждения, инструкции, иллюстрации и спецификации по данному электроинструменту. Несоблюдение всех приведенных ниже инструкций может стать причиной поражения электрическим током, возгорания и/или тяжелой травмы.

### СОХРАНИТЕ ВСЕ ИНСТРУКЦИИ ДЛЯ ПОСЛЕДУЮЩЕГО ИСПОЛЬЗОВАНИЯ

Термин «электроинструмент» в предупреждениях относится к работающим от сети (проводным) электроинструментам или работающим от аккумуляторной батареи (беспроводным) электроинструментам.

#### 1) Безопасность на рабочем месте

- a) Следите за чистой и хорошим освещением на рабочем месте. Захламленное или плохо освещенное рабочее место может стать причиной несчастного случая.
- b) **Запрещается работать с электроинструментами во взрывоопасных местах, например, вблизи легковоспламеняющихся жидкостей, газов и пыли.** Искры, которые появляются при работе электроинструментов могут привести к воспламенению пыли или паров.
- c) Следите за тем, чтобы во время работы с электроинструментом в зоне работы не было посторонних и детей. Отвлекаясь от работы вы можете потерять контроль над инструментом.

#### 2) Электробезопасность

- a) Штепсельная вилка электроинструмента должна соответствовать розетке. **Никогда**

**не меняйте вилку инструмента. Запрещается использовать переходники к вилкам для электроинструментов с заземлением.**

Использование оригинальных штепсельных вилок, соответствующих типу сетевой розетки снижает риск поражения электрическим током.

- b) **Избегайте контакта с заземленными поверхностями, такими как трубы, радиаторы и холодильники.** Если вы будете заземлены, увеличивается риск поражения электрическим током.
- c) **Запрещается оставлять электроинструмент под дождем и в местах повышенной влажности.** При попадании воды в электроинструмент риск поражения электротоком возрастает.
- d) **Берегите кабель от повреждений. Никогда не используйте кабель для переноски инструмента, не тяните за него, пытайтесь отключить инструмент от сети. Держите кабель подальше от источников тепла, масла, острых углов или движущихся предметов.** Поврежденный или запутанный кабель питания повышает риск поражения электрическим током.
- e) **При работе с электроинструментом на открытом воздухе используйте удлинитель, подходящий для использования на улице.** Использование кабеля питания, предназначенного для использования вне помещения, снижает риск поражения электрическим током.
- f) **Если использование электроинструмента в условиях повышенной влажности неизбежно, используйте устройства защитного отключения (УЗО) для защиты сети.** Использование УЗО сокращает риск поражения электрическим током.

#### 3) Обеспечение индивидуальной безопасности

- a) **Будьте внимательны, смотрите, что делаете и не забывайте о здравом смысле при работе с электроинструментом. Запрещается работать с электроинструментом в состоянии усталости, наркотического, алкогольного опьянения или под воздействием лекарственных препаратов.** Невнимательность при работе с электроинструментом может привести к серьезным телесным повреждениям.
- b) **Используйте индивидуальные средства защиты. Всегда используйте защитные очки.** Средства защиты, такие как пылезащитная маска, обувь с нескользящей подошвой, каска и защитные наушники, используемые при работе, уменьшают риск получения травм.
- c) **Примите меры для предотвращения случайного включения. Перед тем как подключить электроинструмент к сети и/или аккумуляторной батарее, взять инструмент или перенести его на другое место, убедитесь в том, что выключатель находится**

**в положении «Выкл.».** Если при переносе электроинструмента он подключен к сети, и при этом ваш палец находится на выключателе, это может стать причиной несчастных случаев.

- d) **Уберите все регулировочные или гаечные ключи перед включением электроинструмента.** Ключ, оставленный на вращающейся части электроинструмента, может привести к травме.
- e) **Не пытайтесь дотянуться до слишком удаленных поверхностей. Обувь должна быть равновесие.** Это позволит лучше контролировать электроинструмент в непредвиденных ситуациях.
- f) **Одевайтесь соответствующим образом. Избегайте носить свободную одежду и ювелирные украшения. Следите за тем, чтобы волосы и одежда не попадали под движущиеся детали.** Возможно наматывание свободной одежды, ювелирных изделий и длинных волос на движущиеся детали.
- g) **При наличии устройств для подключения оборудования для удаления и сбора пыли необходимо обеспечить правильность их подключения и эксплуатации.** Использование устройства для пылеудаления сокращает риски, связанные с пылью.
- h) **Не позволяйте хорошему знанию от частого использования инструментов стать причиной самонадеянности и игнорирования правил техники безопасности.** Небрежное действие может повлечь серьезные травмы за долю секунды.

#### 4) Эксплуатация электроинструмента и уход за ним

- a) **Избегайте чрезмерной нагрузки электроинструмента. Используйте электроинструмент в соответствии с назначением.** Правильно подобранный электроинструмент выполнит работу более эффективно и безопасно при стандартной нагрузке.
- b) **Не пользуйтесь инструментом, если не работает выключатель.** Любый инструмент, управлять выключением и включением которого невозможно, опасен, и его необходимо отремонтировать.
- c) **Перед выполнением любых настроек, сменой аксессуаров или прежде чем убрать инструмент на хранение, отключайте его от сети и/или снимите с него аккумуляторную батарею, если ее можно снять.** Такие превентивные меры безопасности сокращают риск случайного включения электроинструмента.
- d) **Храните электроинструмент в недоступном для детей месте и не позволяйте работать с инструментом людям, не имеющим соответствующих навыков работы с такого рода инструментами.** Электроинструмент

представляет опасность в руках неопытных пользователей.

- e) **Поддерживайте электроинструмент и принадлежности в исправном состоянии. Проверьте, не нарушена ли центровка или не заклинены ли движущиеся детали, нет ли поврежденных или иных неисправностей, которые могли бы повлиять на работу электроинструмента. В случае обнаружения поврежденный, прежде чем приступить к эксплуатации электроинструмента, его нужно отремонтировать.** Большинство несчастных случаев происходит из-за электроинструментов, которые не обслуживаются должным образом.
- f) **Содержите режущий инструмент в остро заточенном и чистом состоянии.** Вероятность заклинивания инструмента, за которым следят должным образом и который хорошо заточен, значительно меньше, а работать с ним легче.
- g) **Используйте электроинструменты, принадлежности и насадки в соответствии с данными инструкциями, принимая во внимание условия работы и характер выполняемой работы.** Использование электроинструмента для выполнения операций, для которых он не предназначен, может привести к созданию опасных ситуаций.
- h) **Все рукоятки и поверхности захватывания должны быть сухими и без следов смазки.** Скользкие рукоятки и поверхности захватывания не позволяют обеспечить безопасность работы и управления инструментом в непредвиденных ситуациях.

#### 5) Обслуживание

- a) **Обслуживание электроинструмента должен проводить квалифицированный специалист с использованием только оригинальных запасных частей.** Это позволит обеспечить безопасность обслуживаемого электрифицированного инструмента.

#### Инструкции по технике безопасности при работе миксером

- a) **Держите инструмент обеими руками за предназначенные для этого рукоятки.** Потеря контроля может привести к травме.
- b) **Обеспечьте достаточную вентиляцию при смешивании легковоспламеняющихся материалов, чтобы избежать опасной атмосферы.** Существует риск вдыхания образующихся паров или возгорания под действием паров испар, вырабатываемых электроинструментом.
- c) **Не используйте для смешивания продуктов питания.** Электроинструменты

и принадлежности к ним не предназначены для обработки пищевых продуктов.

- d) **Не допускайте присутствия посторонних лиц в области работ.** Кабель может намотаться на насадку-смеситель.
- e) **Убедитесь, что емкость для смешивания установлена в устойчивое положение и зафиксирована.** Ненадежно зафиксированная емкость может неожиданно сместиться.
- f) **Убедитесь, что жидкость не брызгает на корпус электроинструмента.** Попадание жидкости в электроинструмент может привести к его повреждению и поражению электрическим током.
- g) **Следуйте инструкциям и предупреждениям для смешиваемого материала.** Смешиваемый материал может быть вредным для здоровья.
- h) **Если электроинструмент упал в смешиваемый материал, немедленно отключите его от источника питания, после чего электроинструмент должен проверить квалифицированный специалист.** Попытка достать из емкости подключенный к электросети инструмент может привести к поражению электрическим током.
- i) **Не касайтесь емкости для смешивания руками или не помещайте в него иные предметы во время смешивания.** Контакт с насадкой-смесителем может привести к серьезной травме.
- j) **Включайте и выключайте инструмент только в емкости для смешивания.** Насадка-смеситель может согнуться или вращаться неконтролируемым образом.

## Дополнительные правила техники безопасности для миксеров

- a) **Помните об образовании обратного удара.**
- b) **Распределяйте нагрузку таким образом, чтобы при работе скорость не снижалась слишком сильно или не случился вынужденный останов инструмента.**
- c) **При работе с пылеобразными веществами необходимо надевать респиратор.** Вдыхание пыли может привести к повреждению дыхательных путей.



**ОСТОРОЖНО!** Рекомендуется использовать устройство защитного отключения (УЗО) с током утечки до 30 мА.

## Остаточные риски

Несмотря на соблюдение соответствующих инструкций по технике безопасности и использование предохранительных устройств, некоторые остаточные риски невозможно полностью исключить. А именно:

- ухудшение слуха;
- риск травм от разлетающихся частиц;
- риск получения ожогов в результате нагревания инструмента в процессе работы;
- риск получения травмы в результате продолжительной работы.

## СОХРАНИТЕ НАСТОЯЩЕЕ РУКОВОДСТВО

## Электробезопасность

Электродвигатель рассчитан на работу только при одном напряжении сети. Необходимо обязательно убедиться в том, что напряжение источника питания соответствует указанному на шильдике устройства. Необходимо также убедиться в том, что напряжение работы зарядного устройства соответствует напряжению в сети.



Зарядное устройство DEWALT оснащено двойной изоляцией в соответствии с требованиями EN62841; поэтому провод заземления не требуется.

В случае повреждения кабеля питания его необходимо заменить специально подготовленным кабелем, который можно приобрести в сервисных центрах DEWALT.

## Использование удлинительного кабеля

Используйте удлинитель только в случаях крайней необходимости. Используйте только утвержденные удлинители промышленного изготовления, рассчитанные на мощность не меньшую, чем потребляемая мощность зарядного устройства (см. **Технические характеристики**). Минимальное поперечное сечение провода электрического кабеля должно составлять 1 мм<sup>2</sup>; максимальная длина 30 м. При использовании кабельного барабана всегда полностью разматывайте кабель.

## Комплектация поставки

В комплектацию входит:

- 1 Миксер
- 2 Гаечных ключа
- 1 Насадка-смеситель 160 мм
- 1 Руководство по эксплуатации
- Проверьте инструмент, детали и дополнительные приспособления на наличие повреждений, которые могли произойти во время транспортировки.
- Перед началом работы необходимо внимательно прочитать настоящее руководство и принять к сведению содержащуюся в нем информацию.

## Маркировка на инструменте

На инструмент нанесены следующие обозначения:



Перед началом работы прочтите руководство по эксплуатации.



Используйте защитные наушники.



Используйте защитные очки.

### Место положения кода даты (Рис. [Fig.] А)

Код даты **6**, который также включает в себя год изготовления, отштампован на поверхности корпуса инструмента.

Пример:

2019 XX XX  
Год изготовления

### Описание (Рис. А)

**⚠ ОСТОРОЖНО:** *Никогда не вносите изменения в конструкцию электроинструмента или какой-либо его части. Это может привести к повреждению или травме.*

- 1 Курковый пусковой выключатель с регулировкой скорости
- 2 Рычаг блокировки пускового выключателя
- 3 Дискковый регулятор скорости
- 4 Держатель насадки-смесителя
- 5 Двойная рукоятка

### Сфера применения

Ваш миксер предназначен для профессионального смешивания различных материалов.

**НЕ** используйте в условиях повышенной влажности или поблизости от легковоспламеняющихся жидкостей или газов.

Ваш миксер является профессиональным электроинструментом.

Не разрешайте детям прикасаться к инструменту.

Использование инструмента неопытными пользователями должно происходить под контролем опытного лица.

- Данный инструмент не предназначен для использования лицами (включая детей) с ограниченными физическими, психическими и умственными возможностями, не имеющими опыта, знаний или навыков работы с ним, если они не находятся под наблюдением лица, ответственного за их безопасность. Никогда не оставляйте детей без присмотра с этим инструментом.

### СБОРКА И РЕГУЛИРОВКА

**⚠ ВНИМАНИЕ:** *Чтобы снизить риск получения серьезных травм, выключайте инструмент и отключайте его от сети перед тем, как выполнять какие-либо настройки или снимать/устанавливать насадки или принадлежности. Случайный запуск может привести к травме.*

### Установка и снятие насадки-смесителя (Рис. В)

1. Вставьте насадку-смеситель в держатель **4**, повернув ее по часовой стрелке.

2. Затяните насадку-смеситель 2 входящими в комплект поставки гаечными ключами.

3. Для извлечения насадки-смесителя действуйте в обратном порядке.

### Маркировочная этикетка DeWALT ToolConnect (Рис. D)

#### Дополнительная принадлежность

На вашем миксере имеется специальное место для установки маркировочной этикетки DeWALT ToolConnect. Этикетка DeWALT ToolConnect предназначена для отслеживания и поиска профессиональных электроинструментов, оборудования и машин с помощью приложения DeWALT Tool Connect. Чтобы установить этикетку, удалите винты из монтажных отверстий **7**, используя отвертку. Затем установите этикетку ToolConnect, следуя инструкциям в руководстве по эксплуатации ToolConnect.

### ЭКСПЛУАТАЦИЯ

#### Инструкции по использованию

**⚠ ВНИМАНИЕ:** *Всегда следуйте указаниям действующих норм и правил безопасности.*

**⚠ ВНИМАНИЕ:** *Чтобы снизить риск получения серьезных травм, выключайте инструмент и отключайте его от сети перед тем, как выполнять какие-либо настройки или снимать/устанавливать насадки или принадлежности. Случайный запуск может привести к травме.*

#### Правильное положение рук во время работы (Рис. С)

**⚠ ВНИМАНИЕ:** *Для уменьшения риска получения тяжелой травмы, ВСЕГДА правильно удерживайте инструмент, как показано на рисунке.*

**⚠ ВНИМАНИЕ:** *Для уменьшения риска получения тяжелой травмы, ВСЕГДА надёжно удерживайте инструмент, предупреждая внезапные сбои в работе.*

При правильном положении рук обе руки должны находиться на соответствующей рукоятке **5**.

#### Запуск миксера (Рис. А)

**⚠ ОСТОРОЖНО:**


- Не используйте инструмент для смешивания или нагнетания легко воспламеняемых или взрывчатых жидкостей (бензин, спирт и т. д.).
- Не смешивайте легко воспламеняющиеся жидкости, маркированные соответствующим образом.
- Всегда проверяйте предупреждения о воспламеняемости на любом изделии, прежде чем пытаться их смешивать.

1. Всегда удерживайте миксер обеими руками.
2. Чтобы запустить инструмент, нажмите на рычаг блокировки пускового выключателя **2**, после чего нажмите на курковый пусковой выключатель **1**.
3. Чтобы выключить инструмент, отпустите курковый пусковой выключатель.


Для равномерного смешивания при работе направляйте миксер внутри емкости по кругу. Продолжайте до тех пор, пока весь материал не будет полностью перемешан.

**ПРИМЕЧАНИЕ:** Следуйте инструкциям по работе с материалом, предоставленным его изготовителем.

Всегда помните: чем выше вязкость материала, тем сильнее воздействие крутящего усилия на миксер.


 **ВНИМАНИЕ:** При контакте миксера с поверхностью емкости для смешивания во время работы может случиться обратный удар.

### Дисковый регулятор скорости (Рис. А)

 **ОСТОРОЖНО:** Всегда выключайте электроинструмент после окончания работы и отключайте его от источника питания.


Дисковый регулятор скорости **3** расширяет возможности миксера и содействует его использованию в оптимальных режимах с учетом обрабатываемого материала.

Поверните регулятор в нужное положение. Чем выше скорость, тем быстрее вращение.

 **ВНИМАНИЕ:** ВСЕГДА снижайте скорость при погружении миксера в материал или поднятии его из материала. После того, как миксер будет полностью погружен в материал, снова увеличьте скорость, чтобы обеспечить достаточное охлаждение двигателя.

## ТЕХНИЧЕСКОЕ ОБСЛУЖИВАНИЕ

Электроинструмент DEWALT имеет длительный срок эксплуатации и требует минимальных затрат на техобслуживание. Для длительной безотказной работы необходимо обеспечить правильный уход за инструментом и его регулярную очистку.

 **ВНИМАНИЕ:** Чтобы снизить риск получения серьезных травм, выключайте инструмент и отключайте его от сети перед тем, как выполнять какие-либо настройки или снимать/устанавливать насадки или принадлежности. Убедитесь, что курковый переключатель находится в положении ВКЛ. Непреднамеренный запуск инструмента может привести к получению травм.





### Смазка

Ваш электроинструмент не требует дополнительной смазки.




### Чистка

 **ВНИМАНИЕ:** Выдувайте грязь и пыль из корпуса сухим сжатым воздухом по мере видимого скопления грязи внутри и вокруг вентиляционных отверстий. Выполняйте очистку, надев средство защиты глаз и респиратор утвержденного типа.


 **ВНИМАНИЕ:** Никогда не используйте растворители или другие агрессивные химические средства для очистки неметаллических деталей инструмента. Эти химикаты могут ухудшить свойства материалов, примененных в данных деталях. Используйте ткань, смоченную в воде с мягким мылом. Не допускайте попадания какой-либо жидкости внутрь инструмента; ни в коем случае не погружайте какую-либо часть инструмента в жидкость.


### Дополнительные принадлежности

 **ВНИМАНИЕ:** Поскольку принадлежности, отличные от тех, которые предлагает DEWALT, не проходили тесты на данном изделии, то использование этих принадлежностей может привести к опасной ситуации. Во избежание риска получения травмы, с данным продуктом должны использоваться только рекомендованные DEWALT дополнительные принадлежности.

По вопросу приобретения дополнительных принадлежностей обращайтесь к Вашему дилеру.

### Защита окружающей среды

 Отдельная утилизация. Изделия с данным символом на маркировке запрещается утилизировать с обычными бытовыми отходами.

 Изделия содержат материалы, которые могут быть извлечены или переработаны, снижая потребность в исходном сырье. Пожалуйста, утилизируйте электрические изделия в соответствии с местными нормами. Дополнительная информация доступна по адресу [www.2helpU.com](http://www.2helpU.com).





**Приложение к руководству по эксплуатации электрооборудования для определения месяца производства по номеру текущей календарной недели года**

Электрооборудование торговых марок "Dewalt", "Stanley", "Stanley FatMAX", "BLACK+DECKER".

Директивы 2014/30/EU ЕВРОПЕЙСКОГО ПАРЛАМЕНТА И СОВЕТА от 26 февраля 2014 г. "О гармонизации законодательств Государств-членов ЕС в области электромагнитной совместимости", 2006/42/ЕС ЕВРОПЕЙСКОГО ПАРЛАМЕНТА И СОВЕТА от 17 мая 2006 г. "О машинах и оборудовании"; 2014/35/EU ЕВРОПЕЙСКОГО ПАРЛАМЕНТА И СОВЕТА от 26 февраля 2014 г. "О гармонизации законодательств государств-членов в области размещения на рынке электрооборудования, предназначенного для использования в определенных пределах напряжения". Серийный выпуск.

**ТОВАР СЕРТИФИЦИРОВАН**

Орган по сертификации "РОСТЕСТ- Москва", Адрес: 119049, г. Москва, улица Житная, д. 14, стр. 1; 117418, Москва, Нахимовский просп., 31 (фактический), Телефон: (499) 1292311, (495) 6682893, Факс: (495) 6682893, E-mail: office@rostest.ru  
 Изготовитель: Изготовитель: Блэк энд Декер Холдингс ГмБХ, Германия, 65510, Идштайн, ул. Блэк энд Декер, 40, тел. +496126212790.

**Уполномоченное изготовителем юр.лицо:**

ООО "Стэнли Блэк энд Декер", 117485, город Москва, улица Обручева, дом 30/1, строение 2  
 Телефон: + 7 (495) 258-3981, факс: + 7 (495) 258-3984, E-mail: inbox@dewalt.com  
 Сведения о импортере указаны в сопроводительной документации и/или на упаковке

**Хранение.**

Необходимо хранить в сухом месте, вдали от источников повышенных температур и воздействия солнечных лучей. При хранении необходимо избегать резкого перепада температур. Хранение без упаковки не допускается

**Срок службы.**

Срок службы изделия составляет 5 лет. Не рекомендуется к эксплуатации по истечении 5 лет хранения с даты изготовления без предварительной проверки.

Дата изготовления (код даты) указана на корпусе инструмента. Код даты, который также включает год изготовления, отштампован на поверхности корпуса изделия.

Пример: 2014 46 XX, где 2014 –год изготовления, 46-неделя изготовления. Определить месяц изготовления по указанной неделе изготовления можно согласно приведенной ниже таблице.

**Транспортировка.**

Категорически не допускается падение и любые механические воздействия на упаковку при транспортировке. При разгрузке/погрузке не допускается использование любого вида техники, работающей по принципу зажима упаковки.

**Перечень критических отказов, возможные ошибочные действия персонала.**

- Не допускается эксплуатация изделия:
- При появлении дыма из корпуса изделия
- При поврежденном и/или оголенном сетевом кабеле
- при повреждении корпуса изделия, защитного кожуха, рукоятки
- при попадании жидкости в корпус
- при возникновении сильной вибрации
- при возникновении сильного искрения внутри корпуса

**Критерии предельных состояний.**

- При поврежденном и/или оголенном сетевом кабеле
- при повреждении корпуса изделия

Месяц	Январь	Февраль	Март	Апрель	Май	Июнь	Июль	Август	Сентябрь	Октябрь	Ноябрь	Декабрь	Год производства
Неделя	1	5	9	14	18	23	27	31	36	40	44	49	2018
	2	6	10	15	19	24	28	32	37	41	45	50	
	3	7	11	16	20	25	29	33	38	42	46	51	
	4	8	12	17	21	26	30	34	39	43	47	52	
					22			35				48	
Неделя	1	6	10	14	18	23	27	31	36	40	45	49	2019
	2	7	11	15	19	24	28	32	37	41	46	50	
	3	8	12	16	20	25	29	33	38	42	47	51	
	4	9	13	17	21	26	30	34	39	43	48	52	
	5					22		35		44			
Неделя	1	6	10	14	19	23	27	32	36	40	45	49	2020
	2	7	11	15	20	24	28	33	37	41	46	50	
	3	8	12	16	21	25	29	34	38	42	47	51	
	4	9	13	17	22	26	30	35	39	43	48	52	
	5				18		31		44				
Неделя	2	6	10	14	19	23	27	32	36	41	45	49	2021
	3	7	11	15	20	24	28	33	37	42	46	50	
	4	8	12	16	21	25	29	34	38	43	47	51	
	5	9	13	17	22	26	30	35	39	44	48	52	
				18			31		40			1	
Неделя	2	6	10	15	19	23	28	32	36	41	45	49	2022
	3	7	11	16	20	24	29	33	37	42	46	50	
	4	8	12	17	21	25	30	34	38	43	47	51	
	5	9	13	18	22	26	31	35	39	44	48	52	
			14			27		40				1	

# ÇİFT KOLLU KANATLI KARIŞTIRICISI

## DWD241

### Tebrikler!

Bir DeWALT aleti seçtiniz. Uzun süreli deneyim, sürekli ürün geliştirme ve yenilik DeWALT markasının profesyonel elektrikli alet kullanıcıları için en güvenilir ortaklardan birisi haline gelmesini sağlamaktadır.

### Teknik Özellikleri

		DWD241
Voltaj	$V_{AC}$	230
Tip		1
Giriş Gücü	W	1800
Hız 1	rpm	225–400
Hız 2	rpm	225–550
Hız 3	rpm	225–725
Maks. kanat çapı	mm	160
Mil yivi boyutu		M14
Ağırlık	kg	6,3

Bu standart uyarınca gürültü ve/veya titreşim değerleri (triaks vektör toplamı): EN62841-2-10

$L_{PA}$ (ses basıncı düzeyi)	dB(A)	85
$L_{WA}$ (akustik güç düzeyi)	dB(A)	96
K (akustik güç belirsizliği)	dB(A)	3
Simüle edilmiş mikser sepetiyle titreşim $a_h =$	$m/s^2$	< 2,5
Belirsizlik K =	$m/s^2$	1,5

Bu bilgi sayfasında verilen titreşim ve/veya gürültü emisyonu düzeyi, EN62841'de belirtilen standart teste uygun olarak ölçülmüştür ve aletleri birbiriyle karşılaştırmak için kullanılabilir. Maruz kalmaya dönük bir ön değerlendirme olarak kullanılabilir.

**!** **UYARI:** *Beyan edilen titreşim ve/veya gürültü emisyon düzeyi, aletin ana uygulamalarını yansıtır. Bununla birlikte alet farklı uygulamalar için, farklı aksesuarla veya yeterince bakım yapılmadan kullanıldığında, titreşim ve/veya gürültü emisyonu değişebilir. Bu, toplam çalışma süresindeki maruz kalma seviyesini önemli ölçüde artırabilir.*

*Titreşim ve/veya gürültü maruz kalma seviyesine ilişkin bir tahminde bulunurken aletin kapalı kaldığı veya çalıştığı ancak gerçekte işi yapmadığı zamanlar da dikkate alınmalıdır. Bu, toplam çalışma süresindeki maruziyet düzeyini önemli ölçüde azaltabilir.*

*Operatörü titreşim ve/veya gürültünün etkilerinden korumak için aşağıdakiler gibi ilave güvenlik önlemleri tanımlayın: aleti ve aksesuarları iyi koruyun, ellerinizi sıcak tutun (titreşim için uygundur), çalışma sürelerini iyi organize edin.*

### AT Uygunluk Beyanatı

#### Makine Direktifi



#### Çift kollu Kanatlı Karıştırıcısı DWD241

DeWALT, **Teknik Özellikleri** bölümünde açıklanan bu ürünlerin aşağıda belirtilen yönelere uygun olduğunu beyan eder: 2006/42/AT, EN62841-1:2015, EN62841-2-10:2017.

Bu ürünler ayrıca 2014/30/EU ve 2011/65/EU Direktiflerine de uygundur. Daha ayrıntılı bilgi için, lütfen aşağıdaki adresten DeWALT ile temas kurun veya kılavuzun arka kapağına bakın.

Bu belge altında imzası bulunan yetkili, teknik dosyanın derlenmesinden sorumludur ve bu beyanı DeWALT adına vermiştir.

Markus Rompel  
PTE-Avrupa, Mühendislik Birimi Genel Müdür Yardımcısı  
DeWALT, Richard-Klinger-Straße 11,  
D-65510, Idstein, Almanya  
02.08.2019



**UYARI:** Yaralanma riskini azaltmak için, kullanım kılavuzunu okuyun.

### Tanımlar: Güvenlik Talimatları

Aşağıdaki tanımlar her işaret sözcüğü ciddiyet derecesini gösterir. Lütfen kılavuzu okuyunuz ve bu simgelere dikkat ediniz.



**TEHLİKE:** Engellenmemesi halinde **ölüm veya ciddi yaralanma** ile sonuçlanabilecek **çok yakın bir tehlikeli durumu** gösterir.



**UYARI:** Engellenmemesi halinde **ölüm veya ciddi yaralanma** ile sonuçlanabilecek **potansiyel bir tehlikeli durumu** gösterir.



**DİKKAT:** Engellenmemesi halinde **önemsiz veya orta dereceli yaralanma** ile sonuçlanabilecek **potansiyel bir tehlikeli durumu** gösterir.

**İKAZ:** Engellenmemesi halinde **maddi hasara neden olabilecek, yaralanma ile ilişkisi olmayan durumları** gösterir.



Elektrik çarpması riskini belirtir.



Yangın riskini belirtir.

## ELEKTRİKLİ EL ALETLERİ İÇİN GENEL GÜVENLİK TALİMATLARI



**UYARI:** Bu elektrikli aletle verilen tüm güvenlik uyarılarını, talimatları, resimleri ve teknik özellikleri okuyun. Aşağıda listelenen tüm talimatlara uyulmaması elektrik çarpmasına, yangına ve/veya ciddi yaralanmalara neden olabilir.

### BÜTÜN UYARI VE GÜVENLİK TALİMATLARINI İLERİDE BAKMAK ÜZERE SAKLAYIN

Uyarılarda yer alan «elektrikli alet» terimi şebeke elektrigiyle (kablolu) veya akü/pille (şarjlı) çalışan elektrikli aletinizi ifade etmektedir.

#### 1) Çalışma alanının Güvenliği

- Çalışma alanını temiz ve aydınlık tutun.** Karışık ve karanlık alanlar kazaya davetiye çıkarır.
- Elektrikli aletleri, yanıcı sıvılar, gazlar ve tozların bulunduğu yerler gibi yanıcı ortamlarda çalıştırmayın.** Elektrikli aletler, toz veya dumanları ateşleyebilecek kıvılcıklar çıkarır.
- Bir elektrikli aleti çalıştıran çocuklardan ve etraftaki kişilerden uzak tutun.** Dikkatinizi dağıtıcı şeyler kontrolü kaybetmenize neden olabilir.

#### 2) Elektrik Güvenliği

- Elektrikli aletlerin fişleri prizlere uygun olmalıdır.** Fiş üzerinde kesinlikle hiçbir değişiklik yapmayın. Topraklı elektrikli aletlerde hiçbir adaptör fişi kullanmayın. Değiştirilmemiş fişler ve uygun prizler elektrik çarpması riskini azaltacaktır.
- Borular, radyatörler, ocaklar ve buzdolapları gibi topraklanmamış yüzeylerle vücut temasından kaçının.** Vücudunuzun topraklanması halinde yüksek bir elektrik çarpması riski vardır.
- Elektrikli aletleri yağmura maruz bırakmayın veya ıslatmayın.** Elektrikli alete su girmesi elektrik çarpması riskini arttıracaktır.
- Elektrik kablosunu uygun olmayan amaçlarla kullanmayın.** Elektrikli aleti kesinlikle kablosundan tutarak taşımayın, çekmeyin veya prizden çıkartmayın. Kabloyu sıcağın, yağdan, keskin kenarlardan veya hareketli parçalardan uzak tutun. Hasarlı veya dolanmış kablolar elektrik çarpması riskini artırır.
- Elektrikli bir aleti açık havada çalıştırıyorsanız, açık havada kullanıma uygun bir uzatma kablosu kullanın.** Açık havada kullanıma uygun bir kablolu kullanılması elektrik çarpması riskini azaltır.
- Eğer bir elektrikli aletin nemli bir bölgede çalıştırılması zorunluysa, bir artık akım aygıtı (RCD) korumalı bir kaynak kullanın.** Bir RCD kullanılması elektrik şoku riskini azaltır.

#### 3) Kişisel Güvenlik

- Elektrikli bir aleti kullanırken her zaman dikkatli olun, yaptığınız işe yoğunlaşın ve sağduyulu**

**davranın. Elektrikli bir aleti yorgunken veya ilaç ya da alkolün etkisi altındayken kullanmayın.** Elektrikli aletleri kullanırken bir anlık dikkatsizlik ciddi kişisel yaralanmayla sonuçlanabilir.

- Kişisel koruyucu ekipmanları mutlaka kullanın. Daima koruyucu gözlük takın.** Koşullara uygun toz maskesi, kaymayan güvenlik ayakkabıları, baret veya kulaklık gibi koruyucu donanımların kullanılması kişisel yaralanmaları azaltacaktır.
- İstem dışı çalıştırılmasını önleyin. Aleti güç kaynağına ve/veya aküye bağlamadan, yerden kaldırmadan veya taşımadan önce düğmenin kapalı konumda olduğundan emin olun.** Aleti, parmağınız düğme üzerinde bulunacak şekilde taşımak veya açık konumdaki elektrikli aletleri elektrik şebekesine bağlamak kazaya davetiye çıkarır.
- Elektrikli aleti açmadan önce tüm ayarlamaları anahtarını çıkartın.** Elektrikli aletin hareketli bir parçasına takılı kalmış bir anahtar kişisel yaralanmaya neden olabilir.
- Ulaşmakta zorlandığımız yerlerde kullanmayın. Daima sağlam ve dengeli basın.** Bu, beklenmedik durumlarda elektrikli aletin daha iyi kontrol edilmesine olanak tanır.
- Uygun şekilde giyinin. Bol elbiseler giymeyin ve takı takmayın. Saçınızı, elbiselerinizi ve eldivenlerinizi hareketli parçalardan uzak tutun.** Bol elbiseler ve takılar veya uzun saç hareketli parçalara takılabilir.
- Eğer kullandığınız üründe toz emme ve toplama özellikleri olan ataşmanlar varsa bunların bağlı olduğundan ve doğru şekilde kullanıldığından emin olun.** Bu ataşmanların kullanılması tozla ilgili tehlikeleri azaltabilir.
- Aletlerin sık kullanımı sonucu oluşan aşınalığın keyfi davranışta bulunmanıza ve aletle ilgili güvenlik ilkeleri ihmal etmenize neden olmasına izin vermeyin.** Dikkatsiz bir hareket bir anda ciddi yaralanmalara neden olabilir.

#### 4) Elektrikli Aletlerin Kullanımı ve Bakımı

- Elektrikli aleti zorlamayın. Uygulamanız için doğru elektrikli aleti kullanın.** Doğru elektrikli alet, belirlediği kapasite ayarında kullanıldığında daha iyi ve güvenli çalışacaktır.
- Düğme açmıyor ve kapatmıyorsa elektrikli aleti kullanmayın.** Düğmeyle kontrol edilemeyen tüm elektrikli aletler tehlikelidir ve tamir edilmesi gerekmektedir.
- Herhangi bir ayar, aksesuar değişimi veya elektrikli aletlerin saklanması öncesinde fişi güç kaynağından çekin ve/veya eğer demonte edilebilir tipteyse, bataryayı aletten ayırın.** Bu tür önleyici güvenlik tedbirleri elektrikli aletin istem dışı olarak çalıştırılması riskini azaltacaktır.
- Elektrikli aleti, çocukların ulaşamayacağı yerlerde saklayın ve elektrikli aleti tanımayan veya bu**

**talimatları bilmeyen kişilerin elektrikli aleti kullanmasına izin vermeyin.** Elektrikli aletler, eğitimsiz kullanıcıların elinde tehlikelidir.

- e) **Elektrikli aletleri iyi durumda muhafaza edin.** Hareketli parçalardaki hizalama hatalarını ve tutuklukları, parçalardaki kırılmalar ve elektrikli aletin çalışmasını etkileyebilecek tüm diğer koşulları kontrol edin. Hasarlı ise, elektrikli aleti kullanmadan önce tamir ettirin. Kazaların çoğu, elektrikli aletlerin bakımının yeterli şekilde yapılmamasından kaynaklanır.
- f) **Kesim aletlerini keskin ve temiz tutun.** Bakımı uygun şekilde yapılmış keskin kesim uçlu kesim aletlerinin sıkışma ihtimali daha düşüktür ve kontrol edilmesi daha kolaydır.
- g) **Elektrikli aleti, aksesuarlarını ve aletin diğer parçalarını kullanırken bu talimatlara mutlaka uyun ve çalışma ortamının koşullarını ve yapılacak işin ne olduğunu göz önünde bulundurun.** Elektrikli aletin öngörülen işlemler dışındaki işlemler için kullanılması tehlikeli durumlara neden olabilir.
- h) **Tüm tutamakları ve tutma yerlerini kuru, temiz ve üzerinde yağ ile gres bulunmayacak şekilde muhafaza edin.** Kaygan tutamaklar ve tutma yerleri, beklenmedik durumlarda aletin güvenli bir şekilde tutulması ve kontrol edilmesine izin vermez.

## 5) Servis

- a) **Elektrikli aletinizi, sadece orijinal yedek parçaları kullanıldığı yetkili DEWALT servisine tamir ettirin.** Bu, elektrikli aletin güvenliğinin muhafaza edilmesini sağlayacaktır.

## Mikser Güvenlik Talimatları

- a) **Aleti, belirtilen tutma yerlerinden her iki elinizle tutun.** Kontrol kaybı yaralanmaya neden olabilir.
- b) **Tehlikeli bir atmosfer oluşumundan kaçınmak için yanıcı malmeleri karıştırırken yeterli havalandırma sağlayın.** Oluşan buhar teneffüs edilebilir veya elektrikli aletin ürettiği kıvılcıklar tarafından tutuşturulabilir.
- c) **Gıda karıştırmak için kullanmayın.** Bu elektrikli el aletleri ve aksesuarları gıda işlemek için tasarlanmamıştır.
- d) **Güç kablosunu çalışma bölgesinden uzakta tutun.** Kablo, mikser kovasına dolaşabilir.
- e) **Karıştırma kabının sağlam ve güvenli bir yere koyulduğundan emin olun.** Doğru şekilde emniyete alınmamış bir kap, beklenmedik şekilde hareket edebilir.
- f) **Elektrikli aletin gövdesine sıvı sıçramasına dikkat edin.** Elektrikli el aletine giren sıvılar hasara ve elektrik çarpmasına neden olabilir.
- g) **Karıştırılacak malzeme ile ilgili talimatları ve uyarıları izleyin.** Karıştırılacak malzeme zararlı olabilir.
- h) **Elektrikli alet, karıştırılacak malzemeye düşerse alet fişini hemen çekin ve aletin kalifiye bir onarım elemanı tarafından kontrol edilmesini sağlayın.** Alet fişe takılı durumdayken kovaya elinizi sokmak elektrik çarpmasına neden olabilir.

- i) **Karıştırma işlemi sırasında elinize karıştırma kabına sokmayın veya karıştırırken başka nesnelere koymayın.** Karıştırıcı potası ile temas ciddi yaralanmalara neden olabilir.
- j) **Çalıştırın ve aleti yalnızca karıştırma kabına doğru indirin.** Karıştırıcı potası kontrolsüz bir şekilde bükülebilir veya dönebilir.

## Kanatlı Karıştırıcılar için Ek Güvenlik Talimatları

- a) **Reaksiyoner bir burulma momentumunun olacağını göz önünde bulundurun.**
- b) **Makineyi, hız çok fazla düşmeyecek veya makineyi durdurmak zorunda kalmayacak şekilde yükleyin.**
- c) **Toz karıştırmak için kullanırken solunum maskesi takılmalıdır.** Tozun solunması solunum yollarına zarar verebilir.



**UYARI:** Alet, 30mA akımı aşmayan akım kesici cihaza beraber kullanılmaya tavsiye edilir.

## Diğer Tehlikeler

Emniyet tedbirlerini düzenleyen yönetmeliğin uygulanmasına ve emniyet sağlayıcı aygıtların kullanılmasına rağmen, başka belirli risklerden kaçınılamaz. Bunlar:

- Duyma bozukluğu.
- Sıçrayan parçacıklardan kaynaklanan yaralanma riski.
- Çalışma sırasında ısınan aksesuarlardan kaynaklanan yanık tehlikesi.
- Uzun süreli kullanımdan kaynaklanan yaralanma riski.
- Yeterince havalandırılmayan bir alanda çalışırken sağlıklı zararlı toz konsantrasyonu oluşabilir.

## BU TALİMATLARI SAKLAYIN

## Elektrik Güvenliği

Den elektriska motorn har konstruerats för endast en spänning. Kontrollera alltid att strömförsörjningen motsvarar spänningen på klassificeringsplattan.



DEWALT aletiniz EN62841 standardına uygun olarak çift yalıtımlıdır; bu nedenle, topraklama kablosuna gerek yoktur.

Elektrik kablosuna hasar görürse, yalnızca DEWALT veya yetkili bir servis tarafından değiştirilmelidir.

## Uzatma Kablolarının Kullanımı

Uzatma kablosu kullanılması gerekiyorsa bu aletin giriş gücüne (**Teknik Özellikleri** bakın) uygun onaylı bir 3 damarlı uzatma kablosu kullanın. Minimum iletken boyutu 1,5 mm<sup>2</sup>'dir; maksimum uzunluk 30 m'dir.

Bir kablo makarası kullanırken, kabloyu daima sonuna kadar açın.

## Ambalaj İçeriği

Ambalaj, aşağıdaki parçaları içermektedir:

- 1 Skovelblandare med dubbla handtag
  - 2 Fasta nycklar
  - 1 160 mm skovel
  - 1 Kullanım kılavuzu
- Alet, parçalar ve aksesuarlarda nakliye sırasında hasar oluşup oluşmadığını kontrol edin.
  - Çalıştırmadan önce bu kılavuzu iyice okuyup anlamak için zaman ayırın.

## Alet Üzerindeki Etiketler

Alet üzerinde, aşağıdaki uyarı sembolleri bulunmaktadır:



Aletle çalışmaya başlamadan önce bu kılavuzu okuyun.



Kulaklık takın.



Koruyucu gözlük takın.

## Tarih Kodu Konumu (Şek. A)

İmalat yılını da içeren Tarih Kodu **6** gövdeye basılıdır.

Örnek:

2019 XX XX

İmalat Yılı

## Açıklama (Şek. A)



**UYARI:** Hiçbir zaman elektrikli aleti veya herhangi bir parçasını değiştirmeyin. Hasarla veya yaralanmayla sonuçlanabilir.

- 1 Değişken hız tetik düğmesi
- 2 Kilitleme kolu
- 3 Değişken hız düğmesi
- 4 Kanat tutucu
- 5 Çift kol

## Kullanım Amacı

Çift kollu kanatlı karıştırıcınız profesyonel karıştırma uygulamaları için tasarlanmıştır.

Islak koşullarda veya yanıcı sıvı ya da gazların mevcut olduğu ortamlarda **KULLANMAYIN**.

Çift kollu kanatlı karıştırıcınız profesyonel kullanım amaçlı bir elektrikli alettir.

Çocukların aleti ellemesine **İZİN VERMEYİN**. Bu alet deneyimsiz kullanıcılar tarafından kullanılırken nezaret edilmelidir.

- Bu ürün fiziksel ve zihinsel kapasitesinin yanı sıra algılama gücü azalmış olan veya yeterince deneyim ve bilgisi bulunmayan kişiler (çocuklar dahil) tarafından kullanılmak üzere üretilmemiştir. Bu tür kişiler ürünü ancak güvenliklerinden sorumlu bir kişi tarafından cihazın kullanımıyla ilgili talimatların verilmesi veya sürekli kontrol altında tutulması durumunda kullanabilir. Çocuklar, bu ürün ile kontrol altında tutulmalıdır.

## MONTAJ VE AYARLAMALAR



**UYARI:** Ciddi yaralanma riskini azaltmak için herhangi bir ayar yapmadan ya da parça veya aksesuarları söküp takmadan önce aleti kapatın ve güç kaynağından ayırın. Aletin yanlışlıkla çalıştırılması yaralanmaya neden olabilir.

## Bir Kanadın Takılıp Çıkarılması (Şek. B)

1. Kanat tırnağını saat yönünde çevirerek kanat tutucusuna **4** takın.
2. Aletle birlikte gelen 2 anahtar kullanarak kanatları yerine sıkın.
3. Kanadı çıkarmak için, işlemi ters yönde izleyin.

## DeWALT ToolConnect Etiketli Hazır (Şek. D)

### İsteğe Bağlı Aksesuar

Mikserinizde bir DeWALT ToolConnect etiketinin takılabilmesi için bir yer mevcuttur. DeWALT ToolConnect Etiketli, DeWALT ToolConnect uygulamasını kullanarak profesyonel elektrikli el aletleri, ekipman ve makineleri izlemek ve bulmak için tasarlanmıştır. Etiketli takmak için, yıldız uçlu bir tornavida kullanarak vidaları montaj deliklerinden **7** sökün. Ardından, ToolConnect kılavuzundaki talimatları izleyerek ToolConnect Etiketini takmaya devam edin.

## KULLANMA

### Kullanma Talimatları



**UYARI:** Güvenlik talimatlarına ve geçerli yönetmeliklere daima uyun.



**UYARI:** Ciddi yaralanma riskini azaltmak için herhangi bir ayar yapmadan ya da parça veya aksesuarları söküp takmadan önce aleti kapatın ve güç kaynağından ayırın. Aletin yanlışlıkla çalıştırılması yaralanmaya neden olabilir.

## Uygun El Pozisyonu (Şek. C)



**UYARI:** Ciddi yaralanma riskini azaltmak için, **DAİMA** şekilde gösterilen uygun el pozisyonunu kullanın.



**UYARI:** Ciddi yaralanma riskini azaltmak için, ani tepki ihtimaline karşı aleti **DAİMA** sıkıca tutun.

Doğru el pozisyonu bir elin çift kol **5** üzerinde olduğu konumdur.

## Karıştırıcının Çalıştırılması (Şek. A)



**UYARI:**

- Bu aleti, kolayca alev alan veya patlayıcı sıvıları (benzin, alkol vb.) karıştırmak veya pompalamak için kullanmayın.
- Uygun şekilde etiketlenmiş yanıcı sıvıları karıştırmayın.
- Herhangi bir ürünü karıştırmaya çalışmadan önce daima yanma uyarılarını kontrol edin.

1. Karıştırıcıyı daima iki elinizle tutun.
2. Üniteyi çalıştırmak için kilitleme koluna **2** basın ve daha sonra tetiği **1** çekerek üniteyi çalıştırın.

3. Aleti durdurmak için tetiği bırakın.

Karıştırma işlemi sırasında daha tutarlı bir karışım elde etmek için karıştırıcıyı kabin içerisinde iyi yönlendirmelisiniz. Malzeme tamamen karışana kadar karıştırmaya devam edin.

**NOT:** Lütfen malzeme üreticisinin işleme talimatlarını takip edin. Malzemenin viskozitesi ne kadar yüksek olursa, tork kuvvetlerinin karıştırıcı üzerindeki etkisi o kadar fazladır.



**DIKKAT:** Karıştırıcı, çalışırken karıştırma kabının yüzeyi ile temas ederse geri tepebilir.

### Değişken Hız Düğmesi (Şek. A)



**UYARI:** Çalışma bittiğinde her zaman aleti kapatın ve fişini prizden çekin.

Değişken hız düğmesi 3 ekstra kontrol sunar ve karıştırıcının, malzeme açısından en uygun şartlarda kullanılmasını sağlar. Düğmeyi istenen seviyeye çevirin. Hız ayarı ne kadar yüksek olursa, dönüş hızı o kadar yüksek olur.



**DIKKAT:** KARIŞTIRICIYI malzemeye daldırırken veya yukarı kaldırırken her zaman hızı düşürün. Karıştırıcı tamamen malzemeye daldırıldıktan sonra, motorun yeterince soğutulduğundan emin olmak için hızı tekrar yükseltin.

### BAKIM

Elektrikli aletinizin minimum bakımla uzun bir süre çalışacak şekilde tasarlanmıştır. Kesintisiz olarak memnuniyet verici bir şekilde çalışması gerekli özenin gösterilmesine ve düzenli temizliğe bağlıdır.



**UYARI:** Ciddi yaralanma riskini azaltmak için herhangi bir ayar yapmadan ya da parça veya aksesuarları söküp takmadan önce aleti kapatın ve güç kaynağından ayırın. Aletin yanlışlıkla çalıştırılması yaralanmaya neden olabilir.



### Yağlama

Elektrikli aletinizin ek bir yağlama gerektirmemektedir.



### Temizleme



**UYARI:** Havalandırma deliklerinde ve etrafında toz toplanması halinde bu tozu ve kırı kuru hava kullanarak ana gövdeden uzaklaştırın. Bu işlemi gerçekleştirirken onaylı bir göz koruması ve onaylı toz maskesi takın.



**UYARI:** Aletin metalik olmayan parçalarını temizlemek için asla çözücü veya başka sert kimyasal kullanmayın. Bu kimyasallar bu parçalarda kullanılan malzemeleri güçsüzleştirir. Yalnızca su ve yumuşak sabunla nemlendirilmiş bir bez kullanın. Aletin içine herhangi bir sıvının girmesine izin vermeyin; aletin herhangi bir parçasını bir sıvı içine daldırmayın.

### İlave Aksesuarlar



**UYARI:** DEWALT tarafından tedarik veya tavsiye edilenlerin dışındaki aksesuarlar bu ürün üzerinde test edilmediğinden, söz konusu aksesuarların bu aletle birlikte kullanılması tehlikeli olabilir. Yaralanma riskini azaltmak için bu ürünle birlikte sadece DEWALT tarafından tavsiye edilen aksesuarlar kullanılmalıdır.

Uygun aksesuarlarla ilgili daha fazla bilgi almak için satış noktalarıyla görüşün.

### Çevrenin Korunması



Ayrı toplama. Bu işaretlenmiş simgeyle ürün normal evsel atıklarla birlikte çöpe atılmamalıdır.

Bazı malzemeleri içeren ürün geri dönüştürülebilir veya geri kazanılabilir, bu da bazı hammaddeler için talebi azaltabilir. Lütfen elektrikli ürünleri yerel yasal mevzuata uygun şekilde geri dönüşüme tabi tutun. Daha ayrıntılı bilgiler [www.2helpU.com](http://www.2helpU.com) adresinde mevcuttur.

Sanayi ve Ticaret Bakanlığı tebliğince kullanım ömrü 7 yıldır.

### Türkiye Distribütörü

**Stanley Black & Decker Turkey Alet Üretim San. Tic. Ltd.Şti.**

AND Kozyatağı - İçerenköy Mah. Umud Sok. AND Ofis Sit. No: 10-12 / 82-83-84

Ataşehir/İstanbul, Türkiye

Tel: +90 216 665 2900

Faks: +90 216 665 2901

[www.dewalt.com.tr](http://www.dewalt.com.tr)

[info-tr@sbdinc.com](mailto:info-tr@sbdinc.com)

# DEWALT GARANTİ BELGESİ

## İTHALATÇI FIRMA

**Ünvanı** : STANLEY BLACK&DECKER TÜRKİYE ALET ÜRETİM SAN. TİC. LTD.ŞTİ.  
**Adresi** : AND Kozyatağı - İçerenköy Mah. Umut Sok. AND Ofis Sit. No: 10-12 / 82-83-84  
 Atasehirli/Istanbul, TÜRKİYE  
**Telefon No.** : 0216 665 29 00  
**Faks No.** : 0216 665 29 01  
**E-mail** : info-tr@sbdinc.com

## ÜRÜNÜN

**Cinsi** :  
**Markası** : **DEWALT**  
**Modeli** :  
**Seri Numarası** :  
**Garanti Süresi** : 2 YIL  
**Azami Tamir Süresi** : 20 İŞ GÜNÜ

## SATICI FİRMANIN

**Ünvanı** :  
**Adresi** :  
**Telefon No.** :  
**Faks No.** :  
**Fatura Tarih ve No.** :  
**Ürün Teslim Tarihi** :  
**Ürün Teslim Yeri** :  
**Belgeyi Dolduranın Adı Soyadı :**

**Kaşe - Yetkili İmza**

## GARANTİ ŞARTLARI

- Garanti süresi, malın teslim tarihinden itibaren başlar ve 2 yıldır.
- Malın bütün parçaları dahil olmak üzere tamamı firmamızın garantisine kapsamındadır.
- Malın ayıplı olduğunun anlaşılması durumunda tüketici, 6502 sayılı Tüketici Korunması Hakkında Kanununun 11 inci maddesinde yer alan;
  - Sözleşmeden dönme,
  - Satış bedelinden indirim isteme
  - Ücretsiz onarılmasını isteme
  - Satılanın ayıpsız bir misli ile değiştirilmesini isteme,
 haklarından birini kullanabilir.
- Tüketicinin bu haklardan ücretsiz onarım hakkını seçmesi durumunda satıcı; işçilik masrafı, değiştirilen parça bedeli ya da başka herhangi bir ad altında hiçbir ücret talep etmeksizin malın onarımını yapmak veya yaptırmakla yükümlüdür. Tüketici ücretsiz onarım hakkını üretici veya ithalatçıya karşı da kullanabilir.
- Satıcı, üretici ve ithalatçı tüketicinin bu hakkını kullanmasından müteselsilen sorumludur.
  - Tüketicinin, ücretsiz onarım hakkını kullanması halinde malın;
    - Garanti süresi içinde tekrar arızalanması,
    - Tamiri için gereken azami sürenin aşılması,
    - Tamirinin mümkün olmadığını, yetkili servis istasyonu, satıcı, üretici veya ithalatçı tarafından bir raporla belirlenmesi durumlarında; tüketici malın bedel iadesini, ayıp oranında bedel indirimini veya imkan varsa malın ayıpsız misli ile değiştirilmesini satıcıdan talep edebilir.
- Satıcı, tüketicinin talebini reddedemez. Bu talebin yerine getirilmemesi durumunda satıcı, üretici ve ithalatçı müteselsilen sorumludur.
- Malın tamir süresi 20 iş gününü geçemez. Bu süre, garanti süresi içerisinde mala ilişkin arızanın yetkili servis istasyonuna veya satıcıya bildirim tarihinde, garanti süresi dışında ise malın yetkili servis istasyonuna teslim tarihinden itibaren başlar. Malın arızasının 10 iş günü içerisinde giderilmemesi halinde, üretici veya ithalatçı; malın tamiri tamamlanıncaya kadar, benzer özelliklere sahip başka bir malı tüketicinin kullanımına tahsis etmek zorundadır. Malın garanti süresi içerisinde arızalanması durumunda, tamirde geçen süre garanti süresine eklenir.
- Malın kullanma kılavuzunda yer alan hususlara aykırı kullanılmasından kaynaklanan arızalar garanti kapsamı dışındadır.
  - Garanti kapsam şartları ;
    - Ürün hatalı kullanılmamıştır.
    - Ürün yıpranmamış, hırpalanmamış ve aşınmamıştır.
    - Yetkili olmayan kişilerce tamire çalışmamıştır.
    - Satın alma belgesi (fatura) ibraz edilmiştir.
    - Ürün, tüm orijinal parçaları ile iade edilmiştir.
- Tüketici, garantiden doğan haklarının kullanılması ile ilgili olarak çıkabilecek uyuşmazlıklarda yerleşim yerinin bulunduğu veya tüketici işleminin yapıldığı yerdeki Tüketici Hakem Heyetine veya Tüketici Mahkemesine başvurabilir.
- Satıcı tarafından bu Garanti Belgesinin verilmesi durumunda, tüketici Gümrük ve Ticaret Bakanlığı Tüketicinin Korunması ve Piyasa Gözetimi Genel Müdürlüğüne başvurabilir.

EEE Yönetmeliğine uygundur.

CE

## KULLANMA KILAVUZU İÇİN EK BİLGİLER

-Taşıma ve nakliye sırasında dikkat edilecek hususlar;  
Cihazı taşıma ve nakliye esnasında hasar verecek şekilde taşınmamalı, bir yerden bir yere fırlatılmamalı, istifleme yapılırken dikkat edilmeli.

-Gümrük ve Ticaret Bakanlığı uyarınca belirlenen kullanım ömürleri aşağıdaki gibidir;

Testere Makineleri	7 yıl
Polisaj Makineleri	7 yıl
Matkaplar	7 yıl
Vidalama Makineleri	7 yıl
Zımpara Makineleri	7 yıl

-Malın ayıplı olduğunun anlaşılması durumunda tüketici, 6502 sayılı Tüketici Korunması Hakkında Kanununun 11 inci maddesinde yer alan;

a- Sözleşmeden dönme,

b-Satış bedelinden indirim isteme

c-Ücretsiz onarılmasını isteme

d-Satılanın ayıpsız bir misli ile değiştirilmesini isteme,

haklarından birini kullanabilir.

-Tüketici, garantiden doğan haklarının kullanılması ile ilgili olarak çıkabilecek uyuşmazlıklarda yerleşim yerinin bulunduğu veya tüketici işleminin yapıldığı yerdeki Tüketici Hakem Heyetine veya Tüketici Mahkemesine başvurabilir.



# ЛОПАТЕВИЙ ЗМІШУВАЧ З ДВОМА РУЧКАМИ

## DWD241

### Вітаємо вас!

Ви обрали інструмент виробництва компанії DeWALT. Ретельна розробка продукції, багаторічний досвід фірми у виробництві інструментів, різні вдосконалення, все це зробило інструменти DeWALT є одними із найнадійніших помічників для тих, хто використовує електричні інструменти у своїй професії.

### Технічні дані

		DWD241	DWD241-LX
Напруга	$V_{ac}$	230	115
Тип		1	1
Вхідна потужність	Вт	1800	1600
Швидкість 1	об./хв.	225-400	225-400
Швидкість 2	об./хв.	225-550	225-550
Швидкість 3	об./хв.	225-725	225-725
Макс. діаметр лопаті	мм	160	160
Розмір різьблення шпіндела		M14	M14
Маса	кг	6,3	6,55

Значення рівня шуму та вібрації (триаксильна векторна сума) відповідно до стандарту EN62841-2-10:

$L_{pa}$ (рівень тиску звукового випромінювання)	дБ(A)	85	85
$L_{wa}$ (рівень акустичної потужності)	дБ(A)	96	96
K (похибка для даного рівня звукового тиску)	дБ(A)	3	3
Вібрація з імітуванням кошиком змішувача $a_{H1}$ =	$m/s^2$	< 2,5	< 2,5
Похибка K =	$m/s^2$	1,5	1,5

Значення вібрації та/або шуму, наведене в цьому документі, було виміряне згідно зі стандартизованим тестом, викладеним в EN62841 та може використовуватись для порівняння інструментів. Це значення вібрації можна також використовувати для попередньої оцінки впливу вібрації.

**⚠ ОБЕРЕЖНО:** Заявлене значення вібрації та/або шуму відповідає вимогам цільового використання інструмента. Однак якщо інструмент використовується для виконання інших завдань, або з іншими витратними матеріалами/насадками, або не обслуговується належним чином, значення вібрації та/або шуму може відхилитися. Це може значно збільшити рівень впливу протягом усього періоду роботи.

Оцінка рівня впливу вібрації та/або шуму має враховувати час, протягом якого інструмент є вимкненим, а також час, протягом якого він є

вимкненим, але не використовується. Це може значно зменшити рівень впливу протягом усього періоду роботи.

Визначення додаткових заходів безпеки для захисту оператора від впливу вібрації та/або шуму: технічне обслуговування інструмента та приладдя, утримання рук у теплі (має значення для вібрації), організація режиму роботи.

### Декларація про відповідність ЄС

#### ДИРЕКТИВА ДЛЯ МЕХАНІЧНОГО ОБЛАДНАННЯ



#### Лопатевий змішувач з двома ручками DWD241

DeWALT заявляє, що описані в розділі **Технічні дані** пристрої відповідають стандартам:

2006/42/EC, EN62841-1:2015, EN62841-2-10:2017.

Ці продукти також відповідають вимогам Директив 2014/30/EU та 2011/65/EU. Для отримання додаткової інформації звертайтеся до компанії DeWALT за адресою, зазначеною нижче або наприкінці цього керівництва.

Нижчепідписаний несе відповідальність за упорядкування файлу технічних характеристик та робить цю заяву від імені компанії DeWALT..

Маркус Ромпель

Віце-президент з машинобудування, PTE-Europe  
DeWALT, Richard-Klinger-Straße 11,  
D-65510, Ідштайн, Німеччина  
02.08.2019



**ПОПЕРЕДЖЕННЯ:** Уважно прочитайте керівництво з експлуатації для зниження ризику отримання травм.

### Позначення: інструкції з техніки безпеки

Умовні позначення, наведені нижче, описують рівень важливості кожної попереджувальної вказівки. Прочитайте керівництво з експлуатації та зверніть увагу на символи, наведені нижче.



**НЕБЕЗПЕЧНО:** Указує на безпосередню загрозу, яка, якщо її не уникнути, призведе до смерті або серйозної травми.



**ПОПЕРЕДЖЕННЯ:** Вказує на потенційну загрозу, ігнорування якої може призвести до смерті або серйозної травми.



**УВАГА:** Вказує на потенційну загрозу, ігнорування якої **може** призвести до **травми легкої або середньої тяжкості**.

**ПРИМІТКА:** Вказує на ситуацію, **не пов'язану з особою травмою**, ігнорування цієї ситуації **може** призвести до **пошкодження майна**.



Вказує на ризик ураження електричним струмом.



Вказує на ризик виникнення пожежі.

## ЗАГАЛЬНІ ПРАВИЛА БЕЗПЕКИ ПРИ ЕКСПЛУАТАЦІЇ ЕЛЕКТРИЧНОГО ІНСТРУМЕНТА



**ПОПЕРЕДЖЕННЯ:** Ознайомтеся з усіма попередженнями, інструкціями з техніки безпеки, зображеннями та специфікаціями, які поставляються з даним електричним інструментом. Невиконання нижченаведених інструкцій може призвести до ураження електричним струмом, пожежі та/або серйозних тілесних ушкоджень.

### ЗБЕРІГАЙТЕ ВСІ ПОПЕРЕДЖЕННЯ ТА ІНСТРУКЦІЇ ДЛЯ ПОДАЛЬШОГО ВИКОРИСТАННЯ

Термін «електричний інструмент» в усіх попередженнях стосується використовуваних вами інструментів, що живляться від мережі енергопостачання (з електричним кабелем) або від акумуляторів (без кабелю).

#### 1) Безпека робочої зони

- Робоча зона завжди має бути чистою та добре освітленою.** Захаращена або темна робоча зона призводить до нещасних випадків.
- Не використовуйте електричні інструменти у вибухонебезпечній атмосфері, наприклад поруч із вогнебезпечними рідинами, газами та пилом.** Електричні інструменти створюють іскри, що можуть запалити пил або пилу.
- Тримайте дітей та сторонніх подалі під час використання інструмента.** Відвернення уваги може призвести до втрати контролю.

#### 2) Електрична безпека

- Вилка електричного інструмента повинна відповідати розетці. Ніколи жодним чином не змінюйте вилку. Не використовуйте адаптери з замкнутими на землю (заземленими) електричними інструментами.** Немодифіковані вилки та розетки, що підходять до них, зменшують ризик ураження електричним струмом.
- Уникайте контакту тіла з заземленими поверхнями, такими як труби, радіатори, плити та холодильники.** Якщо ваше тіло заземлене, збільшується ризик ураження електричним струмом.
- Не залишайте електричні інструменти під дощем або в умовах підвищеної вологості.** Вода,

що потрапляє в електричний інструмент, підвищує ризик ураження електричним струмом.

- Не використовуйте кабель живлення не за призначенням. Ніколи не переносьте, не тягніть та не відключайте електричний інструмент від розетки живлення за допомогою шнура. Тримайте шнур подалі від високих температур, мастила, гострих предметів та рухомих деталей.** Пошкоджені або перекручені шнури підвищують ризик ураження електричним струмом.
- При використанні електричного інструмента на вулиці, використовуйте подовжувальний шнур, що підходить для використання на вулиці.** Використання шнура, що призначений для використання поза приміщенням, знижує ризик ураження електричним струмом.
- Якщо неможливо уникнути використання електричного інструмента в умовах підвищеної вологості, використовуйте живлення, захищене пристроєм залишкового струму (RCD).** Використання RCD знижує ризик ураження електричним струмом.

#### 3) Особиста безпека

- Будьте в стані готовності, дивіться, що ви робите, та будьте розсудливі, працюючи з електричним інструментом. Не використовуйте електричний інструмент, коли ви втомлені або знаходитесь під впливом наркотичних речовин, алкоголю або ліків.** Втрата уваги під час роботи з електричними інструментами може призвести до серйозних травм.
- Використовуйте особисті засоби безпеки. Завжди використовуйте засоби захисту очей.** Засоби безпеки, такі як протипилова маска, несльзкі безпечні черевички, захисний шолом та засоби захисту слухового апарату при використанні для відповідних умов зменшують імовірність особистих травм.
- Уникайте випадкового запуску. Переконайтесь в тому, що вимикач знаходиться в позиції Вимк., перш ніж підключати інструмент до джерела живлення та/або акумулятора, переміщувати або переносити.** Може статися нещасний випадок, коли ви переносите інструмент, тримаючи палець на вимикачі, або підключаєте живлення до вимикача в позиції Увімк.
- Зніміть усі ключі для регулювання або гайкові ключі, перш ніж вмикати електричний інструмент.** Гайковий ключ, що залишився прикріпленим до якоїсь деталі електричного пристрою, що обертається, може призвести до травм.
- Не прикладайте надмірного зусилля. Завжди утримуйте правильну постановку ніг і рівновагу.** Це дає вам змогу краще контролювати інструмент в неочікуваних ситуаціях.

- f) **Одягайтеся відповідним чином. Не вдягайте вільний одяг або прикраси. Тримайте ваше волосся та одяг подалі від рухомих деталей.** Вільний одяг, прикраси або довге волосся можуть зачепитися за рухомі деталі.
- g) **Якщо передбачені пристрої для підключення до засобів виділення та збирання пилу, переконайтеся, що вони правильно підключені та використовуються.** Використання таких пристроїв зменшує ризик виникнення небезпечних ситуацій, що пов'язані з потраплянням пилу.
- h) **Навіть якщо ви добре знаєте інструмент та часто його використовуєте, не розслабляйтесь та не забувайте про принципи техніки безпеки.** Необережні дії можуть за долю секунди призвести до важких тілесних ушкоджень.

#### 4) Використання електричного інструмента та догляд за ним

- a) **Не прикладайте надмірних зусиль під час роботи з інструментом.** Використовуйте електричний інструмент, який відповідає завданню, що виконується. Правильно обраний інструмент виконає завдання краще та безпечніше за умов, для яких він був розроблений.
- b) **Не використовуйте інструмент, якщо його неможливо ввімкнути та вимкнути за допомогою вимикача.** Будь-який електричний інструмент, яким неможливо керувати за допомогою вимикача, є небезпечним і має бути відремонтований.
- c) **Якщо вилка знімна, відключіть її від джерела живлення та/або вийміть акумулятор, перш ніж виконувати будь-які налаштування, змінювати додаткове обладнання або зберігати інструмент.** Ці профілактичні заходи зменшують ризик випадкового запуску електричного інструмента.
- d) **Зберігайте вимкнені електричні інструменти в недоступному для дітей місці та не дозволяйте особам, що не знайомі з електричним інструментом або цими інструкціями, використовувати електричний інструмент.** Електричні інструменти є небезпечними, якщо вони використовуються некваліфікованими користувачами.
- e) **Технічне обслуговування електричних інструментів та приладдя.** Перевіряйте неспіввісність, заїдання рухомих деталей, наявність пошкоджених частин та інших факторів, які можуть впливати на роботу електричного інструмента. Якщо є пошкодження, відремонтуйте електричний інструмент перед використанням. Нещасні випадки часто є результатом того, що інструмент не пройшов відповідного технічного обслуговування.
- f) **Різальні інструменти мають бути гострими та чистими.** Правильно доглянуті різальні інструменти з гострими різальними кромками

мають меншу імовірність заїдання, та ними легше керувати.

- g) **Використовуйте електричний інструмент, додаткові інструменти та деталі інструменту тощо у відповідності до цих інструкцій та відповідно до даного типу електричних інструментів, зважаючи на умови використання та роботу, яка має бути виконана.** Використання електричних інструментів не за призначенням може призвести до виникнення небезпечних ситуацій.
- h) **Всі ручки та поверхні для тримання інструмента мають бути сухими, без залишків мастила.** Слизькі ручки та поверхні для тримання не дозволяють безпечно працювати та контролювати інструмент у неочікуваних ситуаціях.

#### 5) Обслуговування

- a) **Надавайте ваш електричний інструмент для обслуговування кваліфікованому спеціалісту з ремонту та використовуйте тільки ідентичні замінні деталі.** Це забезпечить безпеку електричного пристрою.

#### Інструкції з техніки безпеки змішувача

- a) **Тримайте інструмент обома руками за передбачені для цього рукоятки.** Втрата контролю над інструментом може викликати травми.
- b) **Забезпечте достатню вентиляцію при змішуванні легкозаймистих матеріалів, щоб запобігти утворенню небезпечної атмосфери.** Утворені пари можуть вдихатися або запалюватися від іскр, що утворюються при роботі з електричним інструментом.
- c) **Не використовуйте цей змішувач для змішування продуктів харчування.** Електричні інструменти та приладдя до них не призначені для обробки харчових продуктів.
- d) **Утримуйте шнур живлення подалі від робочої зони.** Шнур живлення може заплутуватися у кошику змішувача.
- e) **Переконайтеся, що ємність для змішування вивіряна і закріплена.** Неправильно закріплена ємність може несподівано зрушитись.
- f) **Переконайтеся, що на корпус електричного інструмента не потрапляють бризки рідини.** Рідина, що потрапила в електричний інструмент, може призвести до його пошкодження і ураження електричним струмом.
- g) **Дотримуйтесь інструкцій і попереджень для змішувача матеріалу.** Змішуваний матеріал може бути шкідливим.
- h) **Якщо електричний інструмент потрапляє в змішуваний матеріал, негайно від'єднайте його від мережі живлення і зверніться за допомогою до**

**кваліфікованого фахівця із ремонту.** Попадання змішувача матеріалу в кошик при невід'єданому від мережі живлення інструменті може призвести до ураження електричним струмом.

- i) **Не тягніться руками в ємність для змішування і не вставляйте в неї ніякі інші предмети під час змішування.** Контакт з кошиком змішувача може призвести до серйозних травм.
- j) **Запускайте та зупиняйте інструмент лише в ємності для змішування.** Кошик змішувача може неконтрольно вигинатися або обертатися.

## Додаткові правила безпеки при роботі з лопатевими змішувачами

- a) **Майте на увазі, що буде виникати реакційний момент крутіння.**
- b) **Завантажуйте пристрій таким чином, щоб швидкість не знижувалася занадто сильно, бо пристрій буде змушений зупинитися.**
- c) **При роботі з пилом необхідно носити респіратор.** Вдихання пилу може пошкодити дихальні шляхи.



**УВАГА:** Ми рекомендуємо використовувати пристрій з керуванням диференційним струмом з номінальним значенням диференційного струму 30 мА або менше.

## Залишкові ризики

Дотримання всіх правил техніки безпеки та застосування пристроїв безпеки не гарантує уникнення певних залишкових ризиків. До такого переліку належать:

- Порушення слуху.
- Ризик тілесних ушкоджень через частинки, які розлітаються.
- Ризик опіків через нагрівання приладдя під час роботи.
- Ризик тілесних ушкоджень через занадто тривале використання.

## ЗБЕРІГАЙТЕ ЦІ ІНСТРУКЦІЇ

## Електрична безпека

Електричний двигун розроблений для роботи лише з одним значенням напруги. Завжди перевіряйте відповідність джерела живлення напругі, яка вказана на таблиці з паспортними даними.



Ваш DEWALT зарядний пристрій має подвійну ізоляцію відповідно до EN62841 тому заземлення не є необхідним.

Якщо кабель живлення пошкоджений, тільки компанія DEWALT або уповноважена сервісна організація може виконувати його заміну.

## Використання електричного подовжувача

Якщо необхідний подовжувач, використовуйте рекомендований 3-жильний подовжуючий шнур, що підходить для споживаної потужності інструменту (див.

**Технічні дані).** Мінімальний розмір провідника становить 1,5 мм<sup>2</sup>; максимальна довжина — 30 м.

При використанні кабельного барабану завжди витягуйте весь кабель.

## Комплект поставки

Комплект містить:

- 1 Лопатевий змішувач з двома ручками
- 2 Гайкові ключі
- 1 Лопать 160 мм
- 1 Керівництво з експлуатації

- *Перевірте інструмент, деталі та приладдя на пошкодження, що могли виникнути під час транспортування.*
- *Перед використанням уважно прочитайте та повністю зрозумійте це керівництво.*

## Маркування інструмента

На інструменті є наступні піктограми:



Прочитайте інструкції цього керівництва перед використанням.



Використовуйте засоби захисту органів слуху.



Використовуйте засоби захисту очей.

## Розташування коду дати (Рис. [Fig.] A)

Код дати **6**, що включає також рік виробництва, зазначений на корпусі.

Приклад:

2019 XX XX  
Рік виробництва

## Опис (Рис. A)



**УВАГА:** Ніколи не модифікуйте електричні інструменти та їхні деталі. Це може призвести до пошкодження майна або тілесних ушкоджень.

- 1 Тригерний перемикач змінної швидкості
- 2 Важіль блокування
- 3 Дисковий перемикач змінної швидкості
- 4 Тримач лопаті
- 5 Подвійна ручка

## Область застосування

Лопатевий змішувач з двома ручками призначений для професійного змішування.

**НЕ** використовуйте за умов підвищеної вологості або в присутності легкозаймистих рідин та газів.

Лопатевий змішувач з двома ручками — це професійний електричний інструмент.

**НЕ** дозволяйте дітям торкатися інструмента. Використання інструмента недосвідченими операторами потребує нагляду.

- Цей пристрій не призначений для використання особами (включаючи дітей) зі зниженими фізичними, сенсорними або розумовими можливостями або особами, яким бракує досвіду або знань, за винятком випадків, коли такі особи працюють під наглядом особи, яка несе відповідальність за їхню безпеку. Не можна залишати дітей наодинці з цим пристроєм.

## МОНТАЖ ТА НАЛАШТУВАННЯ

- ПОПЕРЕДЖЕННЯ:** Щоб знизити ризик серйозних травм, вимкніть інструмент та відключіть його від мережі живлення перед виконанням будь-яких налаштувань або зніманням/встановленням насадок або приладдя. Випадковий запуск може призвести до травм.

## Встановлення та зняття лопаті (рис. В)

- Вставте різьблення лопаті в тримач лопаті 4, повернувши її за годинниковою стрілкою.
- Затягніть лопать за допомогою 2 гайкових ключів, що входять в комплект поставки.
- Щоб зняти лопать, виконайте дії у зворотному порядку.

## Інструмент DeWALT ToolConnect

### підготовлений для етикетки (рис. D)

#### Додаткове приладдя

На змішувачі є точка кріплення етикетки для інструмента DeWALT ToolConnect. Система етикеток для інструментів DeWALT ToolConnect розроблена для стеження та виявлення професійних електричних інструментів, обладнання та приладдя за допомогою програмного забезпечення DeWALT ToolConnect. Щоб встановити етикетку, виверніть гвинти із монтажних отворів 7 за допомогою хрестоподібної викрутки. Потім прикріпіть етикетку ToolConnect, дотримуючись вказівок у посібнику ToolConnect.

## РЕЖИМ РОБОТИ

### Інструкції з використання

- ПОПЕРЕДЖЕННЯ:** Завжди дотримуйтесь усіх інструкцій з техніки безпеки та відповідних норм.
- ПОПЕРЕДЖЕННЯ:** Щоб знизити ризик серйозних травм, вимкніть інструмент та відключіть його від мережі живлення перед виконанням будь-яких налаштувань або зніманням/встановленням насадок або приладдя. Випадковий запуск може призвести до травм.

### Належне положення рук (Рис. С)

- ПОПЕРЕДЖЕННЯ:** Щоб знизити ризик серйозних травм, ЗАВЖДИ правильно розташовуйте руки, як показано.
- ПОПЕРЕДЖЕННЯ:** Щоб знизити ризик серйозних травм, ЗАВЖДИ надійно тримайте інструмент, щоб попередити випадкову віддачу.

Правильне положення рук полягає в тому, щоб обидві руки знаходились на подвійних ручках 5.

## Запуск змішувача (рис. А)

- УВАГА:**
  - Не використовуйте цей інструмент для змішування та відкачування легкозаймистих або вибухонебезпечних рідин (бензин, спирт, тощо).
  - Не змішуйте та не перемішуйте легкозаймисті рідини з відповідною поміткою.
  - Завжди перевіряйте попередження про займистість на будь-якому продукті, перш ніж намагатися перемішати його.

- Тримайте змішувач обома руками.
- Щоб запустити пристрій, натисніть на важіль блокування 2, після чого можна натиснути на тригерний перемикач 1, увімкнувши пристрій.
- Щоб зупинити інструмент, відпустіть тригерний перемикач.

Під час процесу змішування необхідно направляти змішувач по всій ємності, щоб забезпечити більш рівномірне перемішування. Продовжуйте до повного перемішування всього матеріалу.

**ПРИМІТКА:** Будь ласка, дотримуйтесь інструкцій виробника матеріалу.

Завжди пам'ятайте, що чим вище в'язкість матеріалу, тим сильніше впливають крутильні зусилля на змішувач.

- ОБЕРЕЖНО:** Якщо під час роботи змішувач контактує з поверхнею ємності для змішування, він може отримати віддачу.

## Регулятор змінної швидкості (рис. А)

- УВАГА:** Завжди вимикайте інструмент після закінчення роботи і від'єднуйте його від мережі живлення.

Регулятор змінної швидкості 3 пропонує додатковий контроль та дозволяє використовувати змішувач з оптимальним налаштуваннями для матеріалу. Поверніть регулятор у бажане положення. Чим вище налаштування швидкості, тим швидше виконується поворот.

- ОБЕРЕЖНО:** ЗАВЖДИ знижуйте швидкість при зануренні змішувача в матеріал або при його витяганні із нього. По мірі повного занурення змішувача збільште швидкість ще раз, щоб переконатися, що двигун достатньо охолоджений.

## ТЕХНІЧНЕ ОБСЛУГОВУВАННЯ

Ваш електричний інструмент призначений для роботи протягом довгого часу з мінімальним обслуговуванням. Довга задовільна робота приладу залежить від належного обслуговування приладу та регулярного його очищення.

- ПОПЕРЕДЖЕННЯ:** Щоб знизити ризик серйозних травм, вимкніть інструмент та відключіть його від мережі живлення перед виконанням будь-яких налаштувань або зніманням/

**встановленням насадок або приладдя.**  
Випадковий запуск може призвести до травм.



## Змащування

Ваш електричний інструмент не вимагає додаткового змащування.



## Очищення

**ПОПЕРЕДЖЕННЯ:** Коли пил та бруд стають помітними та починають накопичуватися біля вентиляційних отворів, вдувайте бруд та пил зсередини основного корпусу за допомогою сухого повітря. Використовуйте рекомендовані засоби захисту органів зору та рекомендовану протипилову маску при виконанні цієї операції.

**ПОПЕРЕДЖЕННЯ:** Ніколи не використовуйте розчинники та інші агресивні хімічні засоби для очищення неметалевих деталей інструмента. Такі хімічні речовини можуть нанести шкоду матеріалам, що використовуються в цих деталях. Використовуйте вологу ганчірку, змочену лише водою з м'яким милом. Не дозволяйте рідині потрапляти всередину інструмента та ніколи не занурюйте деталі інструмента в рідину.

## Додаткові аксесуари

**ПОПЕРЕДЖЕННЯ:** Оскільки інше приладдя, що не зазначене виробником DEWALT, не перевірялося з цим пристроєм, його використання з інструментом може бути небезпечним. Необхідно використовувати лише рекомендовані DEWALT приладдя з цим пристроєм, щоб знизити ризик отримання травми.

Зверніться до свого дилера для отримання подальшої інформації щодо відповідного приладдя.

## Захист навколишнього середовища



Роздільний збір. Пристрої позначені цим символом, не можна викидати зі звичайним побутовим сміттям.

Пристрої містять матеріали, які можна відновити та переробити, що зменшить потребу у сировині.

Утилізуйте електротехнічну продукцію відповідно до місцевих положень. Більш детальну інформацію можна отримати на сайті [www.2helpU.com](http://www.2helpU.com).



060

Виробник:  
"Stanley Black & Decker Deutschland  
GmbH" Black-&-Decker Str.40, D-65510  
Idstein, Німеччина

130.com.ua

130.com.ua



130.com.ua