



PHONES

0 (800) 800 130
(050) 462 0 130
(063) 462 0 130
(067) 462 0 130

130
COM.UA

Internet store of
autogoods



SKYPE

km-130

CAR RECEIVERS — Receivers • Media receivers and stations • Native receivers • CD/DVD changers • FM-modulators/USB adapters • Flash memory • Facia plates and adapters • Antennas • Accessories |
 CAR AUDIO — Car audio speakers • Amplifiers • Subwoofers • Processors • Crossovers • Headphones • Accessories | TRIP COMPUTERS — Universal computers • Model computers • Accessories |
 GPS NAVIGATORS — Portable GPS • Built-in GPS • GPS modules • GPS trackers • Antennas for GPS navigators • Accessories | VIDEO — DVR • TV sets and monitors • Car TV tuners • Cameras • Videomodules
 • Transcoders • Car TV antennas • Accessories | SECURITY SYSTEMS — Car alarms • Bike alarms • Mechanical blockers • Immobilizers • Sensors • Accessories | OPTIC AND LIGHT — Xenon • Bixenon • Lamps
 • LED • Stroboscopes • Optic and Headlights • Washers • Light, rain sensors • Accessories | PARKTRONICS AND MIRRORS — Rear parktronic • Front parktronic • Combined parktronic • Rear-view mirrors
 • Accessories | HEATING AND COOLING — Seat heaters • Mirrors heaters • Screen-wipers heaters • Engine heaters • Auto-refrigerators • Air conditioning units • Accessories | TUNING — Vibro-isolation
 • Noise-isolation • Tint films • Accessories | ACCESSORIES — Radar-detectors • Handsfree, Bluetooth • Windowlifters • Compressors • Beeps, loudspeakers • Measuring instruments • Cleaners • Car seats
 • Miscellaneous | MOUNTING — Installation kits • Upholstery • Grilles • Tubes • Cable and wire • Tools • Miscellaneous | POWER — Batteries • Converters • Start-charging equipment • Capacitors
 • Accessories | MARINE AUDIO AND ELECTRONICS — Marine receivers • Marine audio speakers • Marine subwoofers • Marine amplifiers • Accessories | CAR CARE PRODUCTS — Additives • Washer fluid •
 Care accessories • Car polish • Flavors • Adhesives and sealants | LIQUID AND OIL — Motor oil • Transmission oil • Brake fluid • Antifreeze • Technical lubricant



In store "130" you can find and buy almost all necessary goods for your auto in Kyiv and other cities, delivery by ground and postal services. Our experienced consultants will provide you with exhaustive information and help you to chose the very particular thing. We are waiting for you at the address

<https://130.com.ua>

DEWALT®

XR®

130.com.ua

WWW.DEWALT.COM

DCS512

English (original instructions)	4
--	---

Русский (<i>перевод с оригинала инструкции</i>)	17
---	----

Українська (<i>переклад з оригінальної інструкції</i>)	38
--	----

130.com.ua

Fig. A

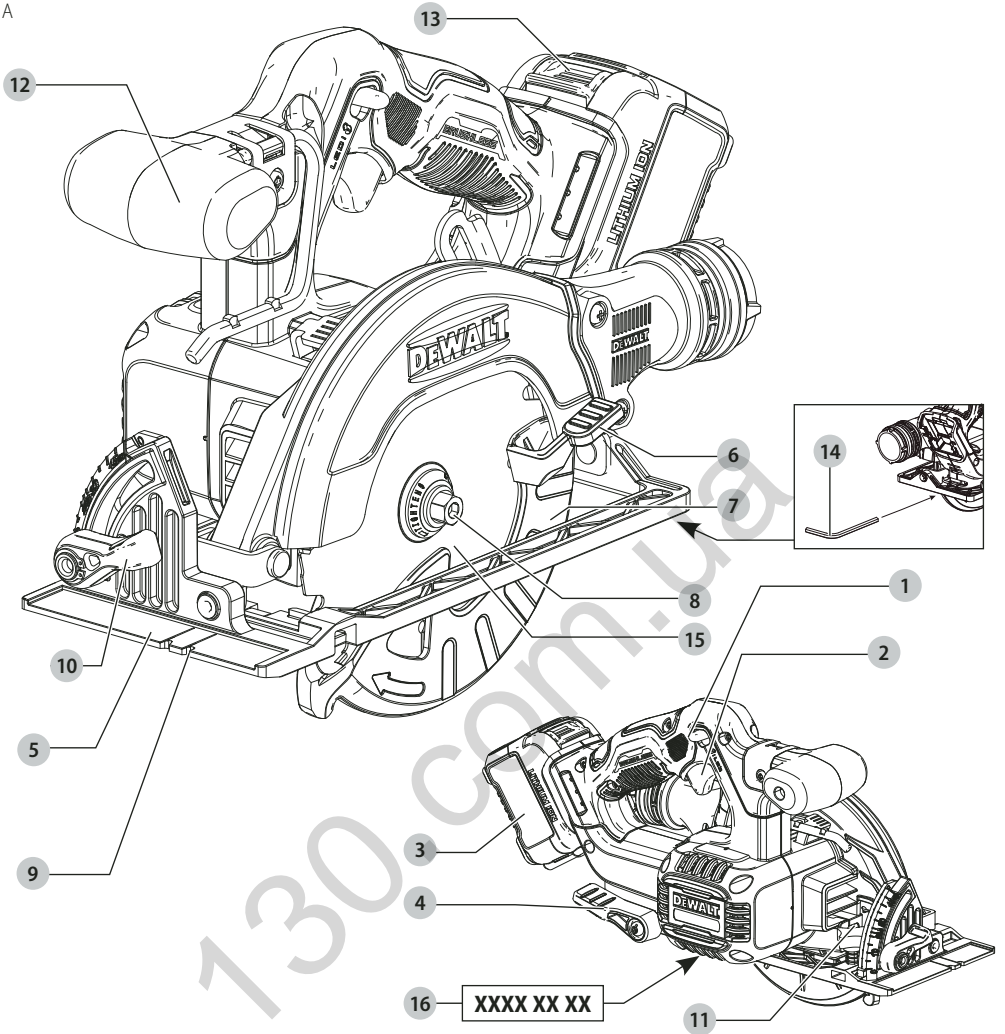


Fig. B

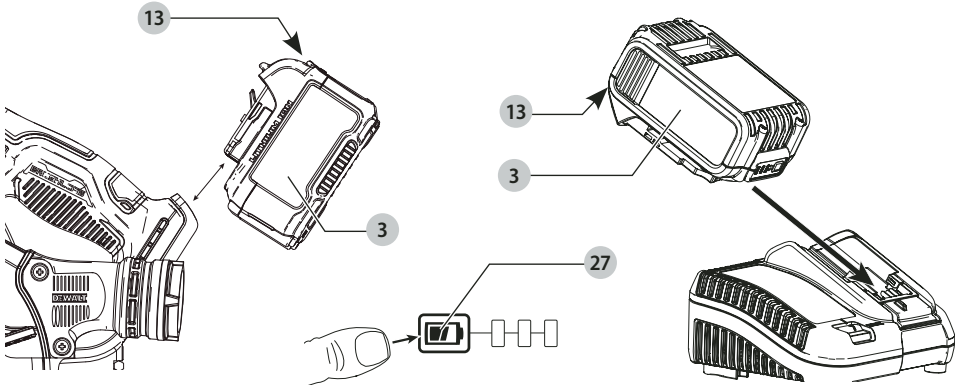


Fig. C

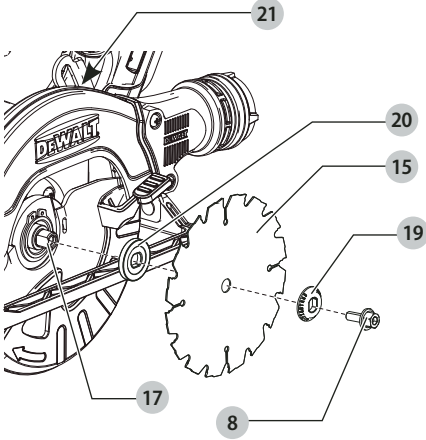


Fig. D

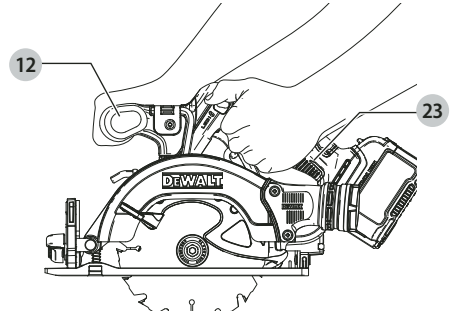


Fig. E

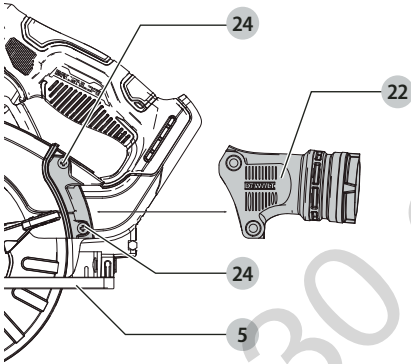


Fig. F

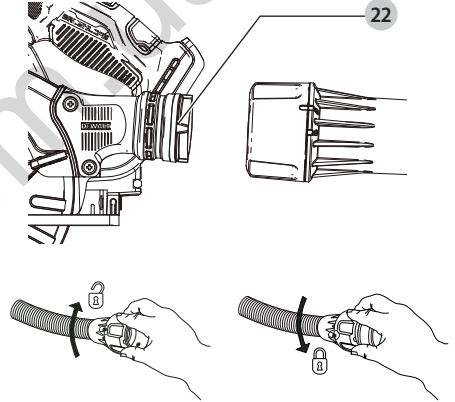


Fig. G

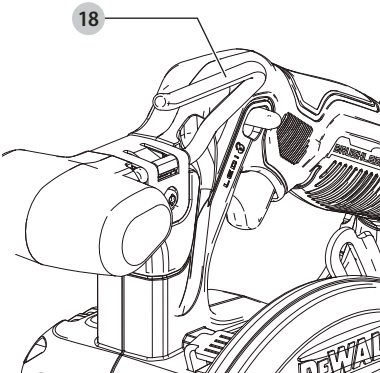


Fig. H

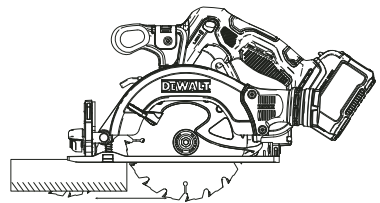


Fig. I

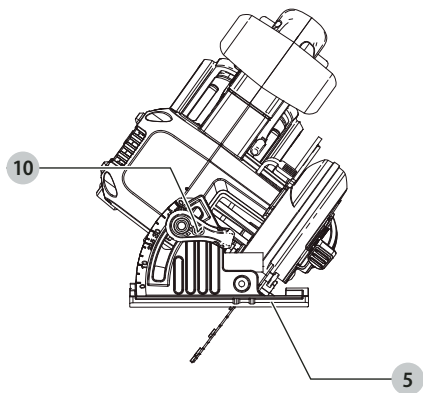


Fig. J

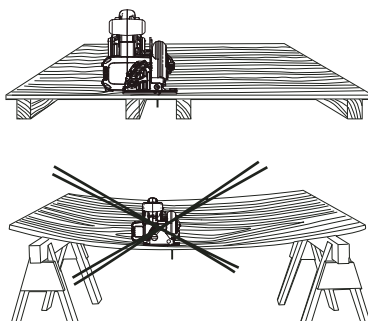


Fig. K

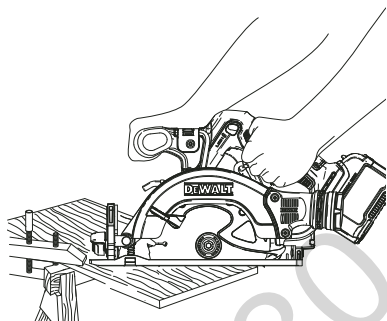


Fig. L

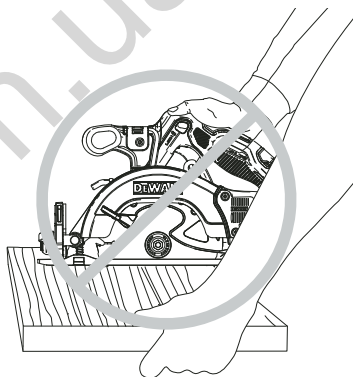


Fig. M

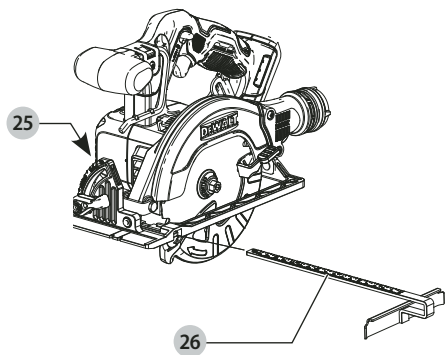
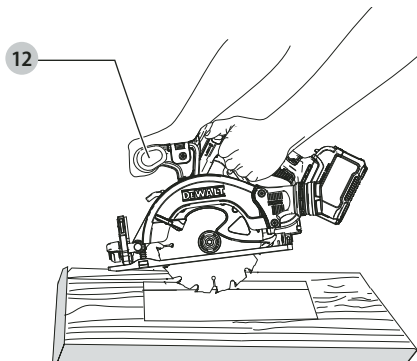


Fig. N



CIRCULAR SAW

DCS512

Congratulations!

You have chosen a DEWALT tool. Years of experience, thorough product development and innovation make DEWALT one of the most reliable partners for professional power tool users.

Technical Data

		DCS512 XJ, GB, QW, XE
Voltage	V _{bc}	12
Type		1
Battery type		Li-Ion
No-load speed	rpm/min	3600
Blade diameter	mm	140
Maximum depth of cut	mm	47
Blade bore	mm	20
Bevel angle adjustment		50°
Weight (without battery pack)	kg	2.2

Noise values and/or vibration values (triax vector sum) according to EN62841-2-5:

L _{PA} (emission sound pressure level)	dB(A)	89
L _{WA} (sound power level)	dB(A)	100
K (uncertainty for the given sound level)	dB(A)	4
Vibration emission value a _{h,W} =	m/s ²	2.5
Uncertainty K =	m/s ²	1.5

The vibration and/or noise emission level given in this information sheet has been measured in accordance with a standardised test given in EN62841 and may be used to compare one tool with another. It may be used for a preliminary assessment of exposure.



WARNING: *The declared vibration and/or noise emission level represents the main applications of the tool. However if the tool is used for different applications, with different accessories or poorly maintained, the vibration and/or noise emission may differ. This may significantly increase the exposure level over the total working period.*

An estimation of the level of exposure to vibration and/or noise should also take into account the times when the tool is switched off or when it is running but not actually doing the job. This may significantly reduce the exposure level over the total working period.

Identify additional safety measures to protect the operator from the effects of vibration and/or noise such as: maintain the tool and the accessories, keep the hands warm (relevant for vibration), organisation of work patterns.

EC-Declaration of Conformity Machinery Directive



Circular Saw DCS512

DEWALT declares that these products described under **Technical Data** are in compliance with:

2006/42/EC, EN62841-1:2015, EN62841-2-5:2014.

These products also comply with Directive 2014/30/EU and 2011/65/EU. For more information, please contact DEWALT at the following address or refer to the back of the manual.

The undersigned is responsible for compilation of the technical file and makes this declaration on behalf of DEWALT.

Markus Rompel
Vice-President Engineering, PTE-Europe
DEWALT, Richard-Klinger-Straße 11,
65510, Idstein, Germany
07.05.2021

DECLARATION OF CONFORMITY THE SUPPLY OF MACHINERY (SAFETY) REGULATIONS 2008



Circular Saw DCS512

DEWALT declares that these products described under "technical data" are in compliance with:

The Supply of Machinery (Safety) Regulations, 2008, S.I. 2008/1597 (as amended), EN62841-1:2015, EN62841-2-5:2014.

These products conform to the following UK Regulations Electromagnetic Compatibility Regulations, 2016, S.I.2016/1091 (as amended).

The Restriction of the Use of Certain Hazardous Substances in Electrical and Electronic Equipment Regulations 2012, S.I. 2012/3032 (as amended).

For more information, please contact DEWALT at the following address or refer to the back of the manual.

The undersigned is responsible for compilation of the technical file and makes this declaration on behalf of DEWALT.

Batteries				Chargers/Charge Times (Minutes)								
Cat #	V _{DC}	Ah	Weight kg	DCB104	DCB107	DCB110	DCB112	DCB113	DCB115	DCB116	DCB132	DCB119
DCB122	12	2.0	0.22	30	90	90	60	50	30	30	30	60
DCB124/G	12	3.0	0.25	45	140	140	90	70	45	45	45	90
DCB125	12	1.3	0.20	22	60	60	40	30	22	22	22	40
DCB126/G	12	5.0	0.46	75	240	240	150	120	75	75	75	150
DCB127	12	2.0	0.22	30	90	90	60	50	30	30	30	60



Karl Evans
 Vice President Professional Power Tools EANZ GTS
 270 Bath Road, Slough
 SL1 4DX
 England
 07.05.2021



WARNING: To reduce the risk of injury, read the instruction manual.

Definitions: Safety Guidelines

The definitions below describe the level of severity for each signal word. Please read the manual and pay attention to these symbols.



DANGER: Indicates an imminently hazardous situation which, if not avoided, **will** result in **death or serious injury**.



WARNING: Indicates a potentially hazardous situation which, if not avoided, **could** result in **death or serious injury**.



CAUTION: Indicates a potentially hazardous situation which, if not avoided, **may** result in **minor or moderate injury**.

NOTICE: Indicates a practice **not related to personal injury** which, if not avoided, **may** result in **property damage**.



Denotes risk of electric shock.



Denotes risk of fire.

GENERAL POWER TOOL SAFETY WARNINGS



WARNING: Read all safety warnings, instructions, illustrations and specifications provided with this power tool. Failure to follow all instructions listed below may result in electric shock, fire and/or serious injury.

SAVE ALL WARNINGS AND INSTRUCTIONS FOR FUTURE REFERENCE

The term "power tool" in the warnings refers to your mains-operated (corded) power tool or battery-operated (cordless) power tool.

1) Work Area Safety

- Keep work area clean and well lit.** Cluttered or dark areas invite accidents.
- Do not operate power tools in explosive atmospheres, such as in the presence of flammable liquids, gases or dust.** Power tools create sparks which may ignite the dust or fumes.
- Keep children and bystanders away while operating a power tool.** Distractions can cause you to lose control.

2) Electrical Safety

- Power tool plugs must match the outlet. Never modify the plug in any way. Do not use any adapter plugs with earthed (grounded) power tools.** Unmodified plugs and matching outlets will reduce risk of electric shock.
- Avoid body contact with earthed or grounded surfaces, such as pipes, radiators, ranges and refrigerators.** There is an increased risk of electric shock if your body is earthed or grounded.
- Do not expose power tools to rain or wet conditions.** Water entering a power tool will increase the risk of electric shock.
- Do not abuse the cord. Never use the cord for carrying, pulling or unplugging the power tool. Keep cord away from heat, oil, sharp edges or moving parts.** Damaged or entangled cords increase the risk of electric shock.
- When operating a power tool outdoors, use an extension cord suitable for outdoor use.** Use of a cord suitable for outdoor use reduces the risk of electric shock.
- If operating a power tool in a damp location is unavoidable, use a residual current device (RCD) protected supply.** Use of an RCD reduces the risk of electric shock.

3) Personal Safety

- Stay alert, watch what you are doing and use common sense when operating a power tool. Do not use a power tool while you are tired or under the influence of drugs, alcohol or medication.** A moment of inattention while operating power tools may result in serious personal injury.
- Use personal protective equipment. Always wear eye protection.** Protective equipment such as a dust mask, non-skid safety shoes, hard hat or hearing protection used for appropriate conditions will reduce personal injuries.

- c) **Prevent unintentional starting. Ensure the switch is in the off-position before connecting to power source and/or battery pack, picking up or carrying the tool.** Carrying power tools with your finger on the switch or energising power tools that have the switch on invites accidents.
- d) **Remove any adjusting key or wrench before turning the power tool on.** A wrench or a key left attached to a rotating part of the power tool may result in personal injury.
- e) **Do not overreach. Keep proper footing and balance at all times.** This enables better control of the power tool in unexpected situations.
- f) **Dress properly. Do not wear loose clothing or jewellery. Keep your hair and clothing away from moving parts.** Loose clothes, jewellery or long hair can be caught in moving parts.
- g) **If devices are provided for the connection of dust extraction and collection facilities, ensure these are connected and properly used.** Use of dust collection can reduce dust-related hazards.
- h) **Do not let familiarity gained from frequent use of tools allow you to become complacent and ignore tool safety principles.** A careless action can cause severe injury within a fraction of a second.

4) Power Tool Use and Care

- a) **Do not force the power tool. Use the correct power tool for your application.** The correct power tool will do the job better and safer at the rate for which it was designed.
- b) **Do not use the power tool if the switch does not turn it on and off.** Any power tool that cannot be controlled with the switch is dangerous and must be repaired.
- c) **Disconnect the plug from the power source and/or remove the battery pack, if detachable, from the power tool before making any adjustments, changing accessories, or storing power tools.** Such preventive safety measures reduce the risk of starting the power tool accidentally.
- d) **Store idle power tools out of the reach of children and do not allow persons unfamiliar with the power tool or these instructions to operate the power tool.** Power tools are dangerous in the hands of untrained users.
- e) **Maintain power tools and accessories. Check for misalignment or binding of moving parts, breakage of parts and any other condition that may affect the power tool's operation. If damaged, have the power tool repaired before use.** Many accidents are caused by poorly maintained power tools.
- f) **Keep cutting tools sharp and clean.** Properly maintained cutting tools with sharp cutting edges are less likely to bind and are easier to control.
- g) **Use the power tool, accessories and tool bits etc. in accordance with these instructions, taking into account the working conditions and the work to be performed.** Use of the power tool for operations different from those intended could result in a hazardous situation.

- h) **Keep handles and grasping surfaces dry, clean and free from oil and grease.** Slippery handles and grasping surfaces do not allow for safe handling and control of the tool in unexpected situations.

5) Battery Tool Use and Care

- a) **Recharge only with the charger specified by the manufacturer.** A charger that is suitable for one type of battery pack may create a risk of fire when used with another battery pack.
- b) **Use power tools only with specifically designated battery packs.** Use of any other battery packs may create a risk of injury and fire.
- c) **When battery pack is not in use, keep it away from other metal objects, like paper clips, coins, keys, nails, screws or other small metal objects, that can make a connection from one terminal to another.** Shorting the battery terminals together may cause burns or a fire.
- d) **Under abusive conditions, liquid may be ejected from the battery; avoid contact. If contact accidentally occurs, flush with water. If liquid contacts eyes, additionally seek medical help.** Liquid ejected from the battery may cause irritation or burns.
- e) **Do not use a battery pack or tool that is damaged or modified.** Damaged or modified batteries may exhibit unpredictable behaviour resulting in fire, explosion or risk of injury.
- f) **Do not expose a battery pack or tool to fire or excessive temperature.** Exposure to fire or temperature above 130 °C may cause explosion.
- g) **Follow all charging instructions and do not charge the battery pack or tool outside the temperature range specified in the instructions.** Charging improperly or at temperatures outside the specified range may damage the battery and increase the risk of fire.

6) Service

- a) **Have your power tool serviced by a qualified repair person using only identical replacement parts.** This will ensure that the safety of the power tool is maintained.
- b) **Never service damaged battery packs.** Service of battery packs should only be performed by the manufacturer or authorized service providers.

Safety Instructions for All Saws

Cutting Procedures

- a) **⚠ DANGER: Keep hands away from cutting area and the blade. Keep your second hand on auxiliary handle, or motor housing.** If both hands are holding the saw, they cannot be cut by the blade.
- b) **Do not reach underneath the workpiece.** The guard cannot protect you from the blade below the workpiece.
- c) **Adjust the cutting depth to the thickness of the workpiece.** Less than a full tooth of the blade teeth should be visible below the workpiece.
- d) **Never hold the workpiece in your hands or across your leg while cutting. Secure the workpiece to a**

- stable platform.** It is important to support the work properly to minimize body exposure, blade binding, or loss of control.
- Hold the power tool by insulated gripping surfaces, when performing an operation where the cutting tool may contact hidden wiring.** Contact with a "live" wire will also make exposed metal parts of the power tool "live" and could give the operator an electric shock.
 - When ripping, always use a rip fence or straight edge guide.** This improves the accuracy of cut and reduces the chance of blade binding.
 - Always use blades with correct size and shape (diamond versus round) of arbor holes.** Blades that do not match the mounting hardware of the saw will run off-center, causing loss of control.
 - Never use damaged or incorrect blade washers or bolt.** The blade washers and bolt were specially designed for your saw, for optimum performance and safety of operation.
- Support large panels to minimize the risk of blade pinching and kickback. Large panels tend to sag under their own weight.** Supports must be placed under the panel on both sides, near the line of cut and near the edge of the panel.
 - Do not use dull or damaged blades.** Unsharpened or improperly set blades produce narrow kerf causing excessive friction, blade binding and kickback.
 - Blade depth and bevel adjusting locking levers must be tight and secure before making cut.** If blade adjustment shifts while cutting, it may cause binding and kickback.
 - Use extra caution when sawing into existing walls or other blind areas.** The protruding blade may cut objects that can cause kickback.

Lower Guard Function Safety Instructions

- Check the lower guard for proper closing before each use. Do not operate the saw if lower guard does not move freely and close instantly. Never clamp or tie the lower guard into the open position. If saw is accidentally dropped, lower guard may be bent.** Raise the lower guard with the retracting handle and make sure it moves freely and does not touch the blade or any other part, in all angles and depths of cut.
- Check the operation of the lower guard spring. If the guard and the spring are not operating properly, they must be serviced before use.** Lower guard may operate sluggishly due to damaged parts, gummy deposits, or a build-up of debris.
- The low guard may be retracted manually only for special cuts such as "plunge cuts" and "compound cuts." Raise the lower guard by retracting the handle and as soon as blade enters the material, the lower guard must be released.** For all other sawing, the lower guard should operate automatically.
- Always observe that the lower guard is covering the blade before placing saw down on bench or floor. An unprotected, coasting blade will cause the saw to walk backwards, cutting whatever is in its path. Be aware of the time it takes for the blade to stop after switch is released.**

FURTHER SAFETY INSTRUCTIONS FOR ALL SAWS

Kickback Causes and Related Warnings

- Kickback is a sudden reaction to a pinched, jammed or misaligned saw blade, causing an uncontrolled saw to lift up and out of the workpiece toward the operator;
- When the blade is pinched or jammed tightly by the kerf closing down, the blade stalls and the motor reaction drives the unit rapidly back toward the operator;
- If the blade becomes twisted or misaligned in the cut, the teeth at the back edge of the blade can dig into the top surface of the wood causing the blade to climb out of the kerf and jump back toward the operator.

Kickback is the result of saw misuse and/or incorrect operating procedures or conditions and can be avoided by taking proper precautions as given below:

- Maintain a firm grip with both hands on the saw and position your arms to resist kickback forces. Position your body to either side of the blade, but not in line with the blade.** Kickback could cause the saw to jump backwards, but kickback forces can be controlled by the operator, if proper precautions are taken.
- When blade is binding, or when interrupting a cut for any reason, release the trigger and hold the saw motionless in the material until the blade comes to a complete stop. Never attempt to remove the saw from the work or pull the saw backward while the blade is in motion or kickback may occur.** Investigate and take corrective actions to eliminate the cause of blade binding.
- When restarting a saw in the workpiece, centre the saw blade in the kerf so that the saw teeth are not engaged into the material.** If saw blade binds, it may walk up or kickback from the workpiece as the saw is restarted.

Additional Safety Instructions for

Circular Saws

- Wear ear protectors.** Exposure to noise can cause hearing loss.
- Wear a dust mask.** Exposure to dust particles can cause breathing difficulty and possible injury.
- Do not use blades of larger or smaller diameter than recommended.** For the proper blade rating refer to the **Technical Data**. Use only the blades specified in this manual, complying with EN847-1.
- Never use abrasive cut-off wheels.**
- Do not use water feed attachments.**

- **Use clamps or another practical way to secure and support the workpiece to a stable platform.** Holding the work by hand or against your body leaves it unstable and may lead to loss of control.
- **Use only saw blades that are marked with a speed equal or higher than the speed marked on the tool.**
- **Avoid overheating the blade tips.**
- **Install the dust extraction port onto the saw before use.**

Residual Risks

In spite of the application of the relevant safety regulations and the implementation of safety devices, certain residual risks cannot be avoided. These are:

- *Impairment of hearing.*
- *Risk of personal injury due to flying particles.*
- *Risk of burns due to accessories becoming hot during operation.*
- *Risk of personal injury due to prolonged use.*

SAVE THESE INSTRUCTIONS

Chargers

DEWALT chargers require no adjustment and are designed to be as easy as possible to operate.

Electrical Safety

The electric motor has been designed for one voltage only. Always check that the battery pack voltage corresponds to the voltage on the rating plate. Also make sure that the voltage of your charger corresponds to that of your mains.



Your DEWALT charger is double insulated in accordance with EN60335; therefore no earth wire is required.

If the supply cord is damaged, it must be replaced only by DEWALT or an authorised service organisation.

Mains Plug Replacement (U.K. & Ireland Only)

If a new mains plug needs to be fitted:

- *Safely dispose of the old plug.*
- *Connect the brown lead to the live terminal in the plug.*
- *Connect the blue lead to the neutral terminal.*



WARNING: No connection is to be made to the earth terminal.

Follow the fitting instructions supplied with good quality plugs. Recommended fuse: 3 A.

Using an Extension Cable

An extension cord should not be used unless absolutely necessary. Use an approved extension cable suitable for the power input of your charger (see **Technical Data**). The minimum conductor size is 1 mm²; the maximum length is 30 m.

When using a cable reel, always unwind the cable completely.

Important Safety Instructions for All Battery Chargers

SAVE THESE INSTRUCTIONS: This manual contains important safety and operating instructions for compatible battery chargers (refer to **Technical Data**).

- *Before using charger, read all instructions and cautionary markings on charger, battery pack, and product using battery pack.*



WARNING: Shock hazard. Do not allow any liquid to get inside charger. Electric shock may result.



WARNING: We recommend the use of a residual current device with a residual current rating of 30mA or less.



CAUTION: Burn hazard. To reduce the risk of injury, charge only DEWALT rechargeable batteries. Other types of batteries may burst causing personal injury and damage.



CAUTION: Children should be supervised to ensure that they do not play with the appliance.

NOTICE: Under certain conditions, with the charger plugged into the power supply, the exposed charging contacts inside the charger can be shorted by foreign material. Foreign materials of a conductive nature such as, but not limited to, steel wool, aluminum foil or any buildup of metallic particles should be kept away from charger cavities. Always unplug the charger from the power supply when there is no battery pack in the cavity. Unplug charger before attempting to clean.

- **DO NOT attempt to charge the battery pack with any chargers other than the ones in this manual.** The charger and battery pack are specifically designed to work together.
- **These chargers are not intended for any uses other than charging DEWALT rechargeable batteries.** Any other uses may result in risk of fire, electric shock or electrocution.
- **Do not expose charger to rain or snow.**
- **Pull by plug rather than cord when disconnecting charger.** This will reduce risk of damage to electric plug and cord.
- **Make sure that cord is located so that it will not be stepped on, tripped over, or otherwise subjected to damage or stress.**
- **Do not use an extension cord unless it is absolutely necessary.** Use of improper extension cord could result in risk of fire, electric shock, or electrocution.
- **Do not place any object on top of charger or place the charger on a soft surface that might block the ventilation slots and result in excessive internal heat.** Place the charger in a position away from any heat source. The charger is ventilated through slots in the top and the bottom of the housing.
- **Do not operate charger with damaged cord or plug—** have them replaced immediately.
- **Do not operate charger if it has received a sharp blow, been dropped, or otherwise damaged in any way.** Take it to an authorised service centre.

- **Do not disassemble charger; take it to an authorised service centre when service or repair is required.** Incorrect reassembly may result in a risk of electric shock, electrocution or fire.
- In case of damaged power supply cord, the supply cord must be replaced immediately by the manufacturer, its service agent or similar qualified person to prevent any hazard.
- **Disconnect the charger from the outlet before attempting any cleaning. This will reduce the risk of electric shock.** Removing the battery pack will not reduce this risk.
- **NEVER** attempt to connect two chargers together.
- **The charger is designed to operate on standard 230V household electrical power. Do not attempt to use it on any other voltage.** This does not apply to the vehicular charger.







Charging a Battery (Fig. B)

1. Plug the charger into an appropriate outlet before inserting battery pack.
2. Insert the battery pack **3** into the charger, making sure the battery pack is fully seated in the charger. The red (charging) light will blink repeatedly indicating that the charging process has started.
3. The completion of charge will be indicated by the red light remaining ON continuously. The battery pack is fully charged and may be used at this time or left in the charger. To remove the battery pack from the charger, push the battery release button **13** on the battery pack.

NOTE: To ensure maximum performance and life of lithium-ion battery packs, charge the battery pack fully before first use.

Charger Operation

Refer to the indicators below for the charge status of the battery pack.

Charge Indicators	
	Charging 
	Fully Charged 
	Hot/Cold Pack Delay* 

*The red light will continue to blink, but a yellow indicator light will be illuminated during this operation. Once the battery pack has reached an appropriate temperature, the yellow light will turn off and the charger will resume the charging procedure. The compatible charger(s) will not charge a faulty battery pack. The charger will indicate faulty battery by refusing to light.

NOTE: This could also mean a problem with a charger.

If the charger indicates a problem, take the charger and battery pack to be tested at an authorised service centre.

Hot/Cold Pack Delay

When the charger detects a battery pack that is too hot or too cold, it automatically starts a Hot/Cold Pack Delay, suspending charging until the battery pack has reached an appropriate

temperature. The charger then automatically switches to the pack charging mode. This feature ensures maximum battery pack life.

A cold battery pack will charge at a slower rate than a warm battery pack. The battery pack will charge at that slower rate throughout the entire charging cycle and will not return to maximum charge rate even if the battery pack warms.

Electronic Protection System

XR Li-Ion tools are designed with an Electronic Protection System that will protect the battery pack against overloading, overheating or deep discharge.

The tool will automatically turn off if the Electronic Protection System engages. If this occurs, place the lithium-ion battery pack on the charger until it is fully charged.

Wall Mounting

These chargers are designed to be wall mountable or to sit upright on a table or work surface. If wall mounting, locate the charger within reach of an electrical outlet, and away from a corner or other obstructions which may impede air flow. Use the back of the charger as a template for the location of the mounting screws on the wall. Mount the charger securely using drywall screws (purchased separately) at least 25.4 mm long with a screw head diameter of 7–9 mm, screwed into wood to an optimal depth leaving approximately 5.5 mm of the screw exposed. Align the slots on the back of the charger with the exposed screws and fully engage them in the slots.

Charger Cleaning Instructions



WARNING: Shock hazard. Disconnect the charger from the AC outlet before cleaning. Dirt and grease may be removed from the exterior of the charger using a cloth or soft non-metallic brush. Do not use water or any cleaning solutions. Never let any liquid get inside the tool; never immerse any part of the tool into a liquid.

Battery Packs

Important Safety Instructions for All Battery Packs

When ordering replacement battery packs, be sure to include catalogue number and voltage.

The battery pack is not fully charged out of the carton. Before using the battery pack and charger, read the safety instructions below. Then follow charging procedures outlined.

READ ALL INSTRUCTIONS

- **Do not charge or use battery in explosive atmospheres, such as in the presence of flammable liquids, gases or dust.** Inserting or removing the battery from the charger may ignite the dust or fumes.
- **Never force battery pack into charger. Do not modify battery pack in any way to fit into a non-compatible charger as battery pack may rupture causing serious personal injury.**
- Charge the battery packs only in DeWALT chargers.
- **DO NOT splash or immerse in water or other liquids.**

- **Do not store or use the tool and battery pack in locations where the temperature may fall below 4 °C (39.2 °F) (such as outside sheds or metal buildings in winter), or reach or exceed 40 °C (104 °F) (such as outside sheds or metal buildings in summer).**
- **Do not incinerate the battery pack even if it is severely damaged or is completely worn out.** The battery pack can explode in a fire. Toxic fumes and materials are created when lithium-ion battery packs are burned.
- **If battery contents come into contact with the skin, immediately wash area with mild soap and water.** If battery liquid gets into the eye, rinse water over the open eye for 15 minutes or until irritation ceases. If medical attention is needed, the battery electrolyte is composed of a mixture of liquid organic carbonates and lithium salts.
- **Contents of opened battery cells may cause respiratory irritation.** Provide fresh air. If symptoms persists, seek medical attention.



WARNING: Burn hazard. Battery liquid may be flammable if exposed to spark or flame.



WARNING: Never attempt to open the battery pack for any reason. If battery pack case is cracked or damaged, do not insert into charger. Do not crush, drop or damage battery pack. Do not use a battery pack or charger that has received a sharp blow, been dropped, run over or damaged in any way (i.e., pierced with a nail, hit with a hammer, stepped on). Electric shock or electrocution may result. Damaged battery packs should be returned to service centre for recycling.



WARNING: Fire hazard. Do not store or carry the battery pack so that metal objects can contact exposed battery terminals. For example, do not place the battery pack in aprons, pockets, tool boxes, product kit boxes, drawers, etc., with loose nails, screws, keys, etc.



CAUTION: When not in use, place tool on its side on a stable surface where it will not cause a tripping or falling hazard. Some tools with large battery packs will stand upright on the battery pack but may be easily knocked over.

Transportation



WARNING: Fire hazard. Transporting batteries can possibly cause fire if the battery terminals inadvertently come in contact with conductive materials. When transporting batteries, make sure that the battery terminals are protected and well insulated from materials that could contact them and cause a short circuit. **NOTE:** Lithium-ion batteries should not be put in checked baggage.

DeWALT batteries comply with all applicable shipping regulations as prescribed by industry and legal standards which include UN Recommendations on the Transport of Dangerous Goods; International Air Transport Association (IATA) Dangerous Goods Regulations, International Maritime Dangerous Goods (IMDG) Regulations, and the European Agreement Concerning The International Carriage of Dangerous Goods by Road

(ADR). Lithium-ion cells and batteries have been tested to section 38.3 of the UN Recommendations on the Transport of Dangerous Goods Manual of Tests and Criteria.

In most instances, shipping a DeWALT battery pack will be excepted from being classified as a fully regulated Class 9 Hazardous Material. In general, only shipments containing a lithium-ion battery with an energy rating greater than 100 Watt Hours (Wh) will require being shipped as fully regulated Class 9. All lithium-ion batteries have the Watt Hour rating marked on the pack. Furthermore, due to regulation complexities, DeWALT does not recommend air shipping lithium-ion battery packs alone regardless of Watt Hour rating. Shipments of tools with batteries (combo kits) can be air shipped as excepted if the Watt Hour rating of the battery pack is no greater than 100 Wh. Regardless of whether a shipment is considered excepted or fully regulated, it is the shipper's responsibility to consult the latest regulations for packaging, labeling/markings and documentation requirements.

The information provided in this section of the manual is provided in good faith and believed to be accurate at the time the document was created. However, no warranty, expressed or implied, is given. It is the buyer's responsibility to ensure that its activities comply with the applicable regulations.

Storage Recommendations

1. The best storage place is one that is cool and dry away from direct sunlight and excess heat or cold. For optimum battery performance and life, store battery packs at room temperature when not in use.
2. For long storage, it is recommended to store a fully charged battery pack in a cool, dry place out of the charger for optimal results.

NOTE: Battery packs should not be stored completely depleted of charge. The battery pack will need to be recharged before use.

Labels on Charger and Battery Pack

In addition to the pictographs used in this manual, the labels on the charger and the battery pack may show the following pictographs:



Read instruction manual before use.



See **Technical Data** for charging time.



Do not probe with conductive objects.



Do not charge damaged battery packs.



Do not expose to water.



Have defective cords replaced immediately



Charge only between 4 °C and 40 °C.



Only for indoor use.



Discard the battery pack with due care for the environment.



Charge DeWALT battery packs only with designated DeWALT chargers. Charging battery packs other than the designated DeWALT batteries with a DeWALT charger may make them burst or lead to other dangerous situations.



Do not incinerate the battery pack.

Battery Type

The following tools operate on a 12 volt battery pack: DCS512
These battery packs may be used: DCB122, DCB124/G, DCB125, DCB126/G, DCB127. Refer to **Technical Data** for more information.

Package Contents

The package contains:

- 1 Circular saw
- 1 Circular saw blade
- 1 Hex key
- 1 Parallel fence
- 1 Dust extraction port
- 1 Charger (C, D, L, M, P, S, T, X, Y models)
- 1 Li-Ion battery pack (C1, D1, G1, L1, M1, P1, S1, T1, X1, Y1 models)
- 2 Li-Ion battery packs (C2, D2, G2, L2, M2, P2, S2, T2, X2, Y2 models)
- 3 Li-Ion battery packs (C3, D3, G3, L3, M3, P3, S3, T3, X3, Y3 models)
- 1 Instruction manual

NOTE: Battery packs, chargers and kitboxes are not included with N models. Battery packs and chargers are not included with NT models. B models include Bluetooth® battery packs.

NOTE: The Bluetooth® word mark and logos are registered trademarks owned by the Bluetooth®, SIG, Inc. and any use of such marks by DeWALT is under license. Other trademarks and trade names are those of their respective owners.

- Check for damage to the tool, parts or accessories which may have occurred during transport.
- Take the time to thoroughly read and understand this manual prior to operation.

Markings on Tool

The following pictograms are shown on the tool:



Read instruction manual before use.



Wear ear protection.



Wear eye protection.



Visible radiation. Do not stare into light.

Date Code Position (Fig. B)

The date code **16**, which also includes the year of manufacture, is printed into the housing.

Example:

2020 XX XX

Year and Week of Manufacture

Description (Fig. A)



WARNING: Never modify the power tool or any part of it. Damage or personal injury could result.

- 1 Trigger switch lock-off button
- 2 Trigger switch
- 3 Battery pack
- 4 Depth adjustment lever
- 5 Shoe
- 6 Lower blade guard retracting lever
- 7 Lower blade guard
- 8 Blade clamping screw
- 9 Kerf indicator
- 10 Bevel adjustment lever
- 11 Worklight
- 12 Auxiliary handle
- 13 Battery release button
- 14 Hex key
- 15 Blade

Intended Use

Your DCS512 cordless circular saw has been designed for professional wood sawing applications.

DO NOT use under wet conditions or in the presence of flammable liquids or gases.

These heavy-duty circular saws are professional power tools.

DO NOT let children come into contact with the tool.

Supervision is required when inexperienced operators use this tool.

- **Young children and the infirm.** This appliance is not intended for use by young children or infirm persons without supervision.
- This product is not intended for use by persons (including children) suffering from diminished physical, sensory or mental abilities; lack of experience, knowledge or skills unless they are supervised by a person responsible for their safety. Children should never be left alone with this product.

ASSEMBLY AND ADJUSTMENTS



WARNING: To reduce the risk of serious personal injury, turn tool off and disconnect battery pack before making any adjustments or removing/installing attachments or accessories. An accidental start-up can cause injury.



WARNING: Use only DEWALT battery packs and chargers.

Inserting and Removing the Battery Pack from the Tool (Fig. J)

NOTE: Make sure your battery pack **3** is fully charged.

To Install the Battery Pack into the Tool Handle

1. Align the battery pack **3** with the rails inside the tool's handle (Fig. J).
2. Slide it into the handle until the battery pack is firmly seated in the tool and ensure that you hear the lock snap into place.

To Remove the Battery Pack from the Tool

1. Press the release button **13** and firmly pull the battery pack out of the tool handle.
2. Insert battery pack into the charger as described in the charger section of this manual.

Fuel Gauge Battery Packs (Fig. B)

Some DEWALT battery packs include a fuel gauge which consists of three green LED lights that indicate the level of charge remaining in the battery pack.

To actuate the fuel gauge, press and hold the fuel gauge button **27**. A combination of the three green LED lights will illuminate designating the level of charge left. When the level of charge in the battery is below the usable limit, the fuel gauge will not illuminate and the battery will need to be recharged.

NOTE: The fuel gauge is only an indication of the charge left on the battery pack. It does not indicate tool functionality and is subject to variation based on product components, temperature and end-user application.

Changing Blades

To Install the Blade (Fig. A, C)



WARNING: Remove battery before service, adjustment, installing or removing accessories.

1. Place inner clamp washer **20** on saw spindle **17** properly.
2. Retract the lower blade guard **7** and place blade on saw spindle against the inner clamp washer, making sure that the blade will rotate in the proper direction (the direction of the rotation arrow on the saw blade and the teeth must point in the same direction as the direction of rotation arrow on the lower blade guard). Do not assume that the printing on the blade will always be facing you when properly installed. When retracting the lower blade guard to install the blade, check the condition and operation of the lower blade guard to assure that it is working properly. Make sure it moves freely and does not touch the blade or any other part, in all angles and depths of cut.
3. Place outer clamp washer **19** on saw spindle with the large flat surface against the blade with beveled side facing out.
4. Thread blade clamping screw **8** into saw spindle by hand (screw has left-hand threads and must be turned counterclockwise to tighten).

5. Depress the blade lock button **21** while turning the saw spindle with the hex key **14** until the blade lock engages and the blade stops rotating.
6. Tighten the blade clamping screw firmly with the blade wrench.

NOTE: Never engage the blade lock while saw is running, or engage in an effort to stop the tool. Never turn the saw on while the blade lock is engaged. Serious damage to your saw will result.

To Replace the Blade (Fig. A, C)



WARNING: Remove battery before service, adjustment, installing or removing accessories.

1. To loosen the blade clamping screw **8**, depress the blade lock button **21** and turn the saw spindle with the hex key **14** until the blade lock engages and the blade stops rotating. With the blade lock engaged, turn the blade clamping screw clockwise with the hex key (screw has left-hand threads and must be turned clockwise to loosen).
2. Remove the blade clamping screw **8** and outer clamp washer **19** only. Remove old blade.
3. Clean any sawdust that may have accumulated in the guard or clamp washer area and check the condition and operation of the lower blade guard as previously outlined. Do not lubricate this area.
4. Select the proper blade for the application (see **Blades**). Always use blades that are the correct size (diameter) with the proper size and shape center hole for mounting on the saw spindle. Always assure that the maximum recommended speed (rpm) on the saw blade meets or exceeds the speed (rpm) of the saw.
5. Follow steps 2 through 6 under **To Install the Blade**, making sure that the blade will rotate in the proper direction.

Lower Blade Guard



WARNING: The lower blade guard is a safety feature which reduces the risk of serious personal injury. Never use the saw if the lower blade guard is missing, damaged, misassembled or not working properly. Do not rely on the lower blade guard to protect you under all circumstances. Your safety depends on following all warnings and precautions as well as proper operation of the saw. Check lower blade guard for proper closing before each use as outlined in Further Safety Instructions for All Saws. If the lower blade guard is missing or not working properly, have the saw serviced before using. To assure product safety and reliability, repair, maintenance and adjustment should be performed by an authorized service center or other qualified service organization, always using identical replacement parts.

Checking the Lower Guard (Fig. A)

1. Turn tool off and disconnect from power supply.
2. Rotate the lower blade guard retracting lever **6** from the fully closed position to the fully open position.

- Release the lever and observe the guard **7** return to the fully closed position.

The tool should be serviced by a qualified service center if it:

- fails to return to the fully closed position,
- moves intermittently or slowly, or
- contacts the blade or any part of the tool in all angles and depth of cut.

Blades



WARNING: To minimize the risk of eye injury, always use eye protection. Carbide is a hard but brittle material. Foreign objects in the workpiece such as wire or nails can cause tips to crack or break. Only operate saw when proper saw blade guard is in place. Mount blade securely in proper rotation before using, and always use a clean, sharp blade.



WARNING: Do not cut metal, plastic, concrete, masonry or fiber cement materials with this saw.

Do not use abrasive wheels or blades. A dull blade will cause slow inefficient cutting, overload on the saw motor, excessive splintering, and could increase the possibility of kickback. Please refer to the table below to determine the correct size replacement blade for your model saw.

Blade Diameter	Teeth	Application
140 mm	24	General purpose cutting

Cutting Depth Adjustment (Fig. A, H)

- Hold the saw firmly and loosen (clockwise) the depth adjustment lever **4** and move shoe (**5**, Fig. A) to obtain the desired depth of cut.
- Make sure the depth adjustment lever has been retightened (counterclockwise) before operating saw.

For the most efficient cutting action, set the depth adjustment so that one-half tooth of the blade will project below the material to be cut. This distance is from the tip of the tooth to the bottom of the gullet in front of it. This keeps blade friction at a minimum, removes sawdust from the cut, results in cooler, faster sawing and reduces the chance of kickback. A method for checking for correct cutting depth is shown in Figure H. Lay a piece of the material you plan to cut along the side of the blade, as shown, and observe how much tooth projects beyond the material.

Bevel Angle Adjustment (Fig. A, I)

The full range of the bevel adjustment is from 0° to 50°. The quadrant is graduated in increments of 1°. On the front of the saw is a bevel angle adjustment mechanism consisting of a calibrated quadrant and a bevel adjustment lever **10**.

To Set the Saw for a Bevel Cut

- Loosen (counterclockwise) the bevel adjustment lever **10** and tilt shoe (**5**, Fig. A) to the desired angle by aligning the pointer with the desired angle mark.
- Retighten lever firmly (clockwise).

Kerf Indicator (Fig. A)

The front of the saw shoe has a kerf indicator **9** for vertical and bevel cutting. This indicator enables you to guide the saw along cutting lines penciled on the material being cut. The kerf indicator lines up with the left (inner) side of the saw blade, which makes the slot or "kerf" cut by the moving blade fall to the right of the indicator. Guide along the penciled cutting line so that the kerf falls into the waste or surplus material.

Mounting and Adjusting the Rip Fence (Fig. M)

The rip fence **26** is used for cutting parallel to the edge of the workpiece.

Mounting

- Slacken the rip fence adjustment knob **25** to allow the rip fence to pass.
- Insert the rip fence **26** in the base plate as shown.
- Tighten the rip fence adjustment knob **25**.

Adjusting

- Slacken the rip fence adjustment knob **25** and set the rip fence **26** to the desired width. The adjustment can be read on the rip fence scale.
- Tighten the rip adjustment knob **25**.

Mounting the Dust Extraction Port (Fig. A, E)

Your circular saw is supplied with a dust extraction port.

To Install the Dust Extraction Port

- Fully loosen depth adjustment lever **4**.
- Place the shoe **5** in the lowest position.
- Push the dust extraction port **22** onto the circular saw upper guard and align with the mounting holes. Secure dust extraction port to the upper guard using the two screws **24** provided.

Prior to Operation

- Make sure the guards have been mounted correctly. The saw blade guard must be in closed position.
- Make sure the saw blade rotates in the direction of the arrow on the blade.
- Do not use excessively worn saw blades.

OPERATION

Instructions for Use



WARNING: Always observe the safety instructions and applicable regulations.



WARNING: To reduce the risk of serious personal injury, turn tool off and disconnect battery pack before making any adjustments or removing/installing attachments or accessories. An accidental start-up can cause injury.

Proper Hand Position (Fig. D)



WARNING: To reduce the risk of serious personal injury, **ALWAYS** use proper hand position as shown.



WARNING: To reduce the risk of serious personal injury, **ALWAYS** hold securely in anticipation of a sudden reaction.

Proper hand position requires one hand on the main handle **23** and one hand on the auxiliary handle **12**.

Switching On and Off (Fig. A)

For safety reasons the trigger switch **2** of your tool is equipped with a lock-off button **1**.

Press the lock-off button to unlock the tool.

To run the tool, press the trigger switch **2**. As soon as the trigger switch is released, the lock-off switch is automatically activated to prevent unintended starting of the machine.

NOTICE: Do not switch the tool ON or OFF when the saw blade touches the workpiece or other materials.

Rafter Hook (Fig. G)

(Included with some models)



WARNING: To reduce the risk of serious personal injury, do not use the tool's rafter hook to hang the tool from your body. **DO NOT** use the rafter hook for tethering or securing the tool to a person or object during use. **DO NOT** suspend tool overhead or suspend objects from the rafter hook.



WARNING: To reduce the risk of injury from the circular saw falling on operators or bystanders, make sure it is supported securely when using the rafter hook, or resting in a secure and stable location when not in use. Be sure to keep the area below clear to reduce the risk of the tool or off-cut material falling and striking someone or something below.

The circular saw has a convenient rafter hook **18** that allows it to hang on a suitable, stable structure between uses. The rafter hook is not for tethering or securing the tool to a person or object during use when elevated.

Worklight (Fig. A)



CAUTION: Do not stare into worklight. Serious eye injury could result.

The worklight **11** is activated when the trigger switch lock-off button **1** is depressed, and will automatically turn off 20 seconds after the trigger is released. If the trigger switch **2** remains depressed, the worklight will remain on.

NOTE: The worklight is for lighting the immediate work surface and is not intended to be used as a flashlight.

Workpiece Support (Fig. J–L)



WARNING: It is important to support the work properly and to hold the saw firmly to prevent loss of control which could cause personal injury. Figure D illustrates proper hand support of the saw. Maintain a firm grip with both hands on the saw and position your body and arm to allow you to resist kickback if it occurs. **ALWAYS TURN**

OFF TOOL AND REMOVE BATTERY BEFORE MAKING ANY ADJUSTMENTS!

Figure K shows proper sawing position. Note that hands are kept away from cutting area. **To avoid kickback**, DO support board or panel NEAR the cut (Fig. J). **DON'T** support board or panel away from the cut (Fig. J).

Place the work with its "good" side – the one on which appearance is most important – down. The saw cuts upward, so any splintering will be on the work face that is up when you cut it.

Cutting (Fig. L–N)

Place the wider portion of the saw shoe on that part of the workpiece which is solidly supported, not on the section that will fall off when the cut is made. As an example, Figure K illustrates the **RIGHT** way to cut off the end of a board. Always clamp work. Don't try to hold short pieces by hand! (Figure L) Remember to support cantilevered and overhanging material. Use caution when sawing material from below.

Be sure saw is up to full speed before blade contacts material to be cut. Starting saw with blade against material to be cut or pushed forward into kerf can result in kickback. Push the saw forward at a speed which allows the blade to cut without laboring.

Hardness and toughness can vary even in the same piece of material, and knotty or damp sections can put a heavy load on the saw. When this happens, push the saw more slowly, but hard enough to keep working without much decrease in speed. Forcing the saw can cause rough cuts, inaccuracy, kickback, and over-heating of the motor.

Should your cut begin to go off the line, don't try to force it back on. Release the trigger switch and allow blade to come to a complete stop. Then you can withdraw the saw, sight anew, and start a new cut slightly inside the wrong one. Withdraw the saw if you must shift the cut. Forcing a correction inside the cut can stall the saw and lead to kickback.

IF SAW STALLS, RELEASE THE TRIGGER SWITCH AND BACK THE SAW UNTIL IT IS LOOSE. BE SURE BLADE IS STRAIGHT IN THE CUT AND CLEAR OF THE CUTTING EDGE BEFORE RESTARTING.

As you finish a cut, release the trigger switch and allow the blade to stop before lifting the saw from the work. As you lift the saw, the spring-tensioned lower blade guard will automatically close under the blade. Remember the blade is exposed until this occurs. Never reach under the work for any reason. When you have to retract the lower blade guard manually (as is necessary for starting pocket cuts), always use the retracting lever.



WARNING: When cutting thin strips, be careful to ensure that small cutoff pieces don't hang up on the inside of the lower blade guard.

Ripping (Fig. M)

Ripping is the process of cutting wider boards into narrower strips – cutting grain lengthwise. Hand guiding is more difficult for this type of sawing and the use of a DeWALT rip fence is recommended.

Pocket Cutting (Fig. N)



WARNING: Never tie the lower blade guard in a raised position. Never move the saw backwards when pocket cutting. This may cause the saw to raise up off the work surface, which could cause injury.

A pocket cut is one that is made in a floor, wall or other flat surface.

1. Adjust the saw shoe so the blade cuts at desired depth.
2. Tilt the saw forward and rest front of the shoe on material to be cut.
3. Using the lower blade guard retracting lever, retract the lower blade guard to an upward position. Lower the rear of the shoe until the blade teeth almost touch the cutting line.
4. Release the lower blade guard (its contact with the work will keep it in position to open freely as you start the cut). Remove your hand from the lower blade guard retracting lever and firmly grip the auxiliary handle **12**, as shown in Figure N. Position your body and arm to allow you to resist kickback if it occurs.
5. Make sure blade is not in contact with cutting surface before starting saw.
6. Start the motor and gradually lower the saw until its shoe rests flat on the material to be cut. Advance saw along the cutting line until cut is completed.
7. Release the trigger switch and allow the blade to stop completely before withdrawing the blade from the material.
8. When starting each new cut, repeat the above steps.

Dust Extraction (Fig. E, F)



WARNING: Risk of dust inhalation. To reduce the risk of personal injury, **ALWAYS** wear an approved dust mask.

A dust extraction port **22** is supplied with your tool.

The dust extraction port allows you to connect the tool to an external dust extractor, either using the AirLock™ system (DWV9000-XJ), or a standard 35 mm dust extractor fitting.



WARNING: ALWAYS use a vacuum extractor designed in compliance with the applicable directives regarding dust emission when sawing wood. Vacuum hoses of most common vacuum cleaners will fit directly into the dust extraction outlet.

MAINTENANCE

Your power tool has been designed to operate over a long period of time with a minimum of maintenance. Continuous satisfactory operation depends upon proper tool care and regular cleaning.



WARNING: To reduce the risk of serious personal injury, turn tool off and disconnect battery pack before making any adjustments or removing/ installing attachments or accessories. An accidental start-up can cause injury.

The charger and battery pack are not serviceable.



Lubrication

Your power tool requires no additional lubrication.



Cleaning



WARNING: Blow dirt and dust out of the main housing with dry air as often as dirt is seen collecting in and around the air vents. Wear approved eye protection and approved dust mask when performing this procedure.



WARNING: Never use solvents or other harsh chemicals for cleaning the non-metallic parts of the tool. These chemicals may weaken the materials used in these parts. Use a cloth dampened only with water and mild soap. Never let any liquid get inside the tool; never immerse any part of the tool into a liquid.

Lower Guard

The lower guard should always rotate and close freely from a fully open to fully closed position. Always check for correct operation before cutting by fully opening the guard and letting it close. If the guard closes slowly or not completely, it will need cleaning or servicing. Do not use the saw until it functions correctly. To clean the guard, use dry air or a soft brush to remove all accumulated sawdust or debris from the path of the guard and from around the guard spring. Should this not correct the problem, it will need to be serviced by an authorised service centre.

DO NOT USE WATER FEED ATTACHMENTS WITH THIS SAW. VISUALLY EXAMINE CARBIDE BLADES BEFORE USE. REPLACE IF DAMAGED.

Optional Accessories



WARNING: Since accessories, other than those offered by DeWALT, have not been tested with this product, use of such accessories with this tool could be hazardous. To reduce the risk of injury, only DeWALT recommended accessories should be used with this product.

Consult your dealer for further information on the appropriate accessories.

Protecting the Environment



Separate collection. Products and batteries marked with this symbol must not be disposed of with normal household waste.



Products and batteries contain materials that can be recovered or recycled reducing the demand for raw materials. Please recycle electrical products and batteries according to local provisions. Further information is available at www.2helpU.com.

Rechargeable Battery Pack

This long life battery pack must be recharged when it fails to produce sufficient power on jobs which were easily done

before. At the end of its technical life, discard it with due care for our environment:

- Run the battery pack down completely, then remove it from the tool.
- Li-Ion cells are recyclable. Take them to your dealer or a local recycling station. The collected battery packs will be recycled or disposed of properly.

130.com.ua

ДИСКОВАЯ ПИЛА

DCS512

Поздравляем!

Вы приобрели инструмент DeWALT. Многолетний опыт, тщательная разработка изделий и инновации делают компанию DeWALT одним из самых надёжных партнеров для пользователей профессионального электроинструмента.

Технические характеристики

		DCS512
		XJ, GB, QW, XE
Напряжение	V _{пост. тока}	12
Тип		1
Тип батареи		Ионно-литиевая
Скорость без нагрузки	об/мин.	3600
Диаметр диска	мм	140
Максимальная глубина реза	мм	47
Диаметр посадочного отверстия	мм	20
Регулировка угла наклона		50°
Вес (без аккумуляторной батареи)	кг	2,2

Значения шума и/или вибрации (сумма векторов в трех плоскостях) в соответствии с EN62841-2-5:

L_{PA} (уровень звукового давления)	дБ(A)	89
L_{WA} (уровень акустической мощности)	дБ(A)	100
K (погрешность для заданного уровня мощности)	дБ(A)	4
Значения вибрационного воздействия $a_{h, W} =$	m/s^2	2,5
Погрешность K =	m/s^2	1,5

Значение шумовой эмиссии и/или эмиссии вибрации, указанное в данном справочном листе, было получено в соответствии со стандартным тестом, приведенным в EN62841, и может использоваться для сравнения инструментов. Кроме того, оно может использоваться для предварительной оценки воздействия вибрации.

⚠ ОСТОРОЖНО! Заявленное значение шумовой эмиссии и/или эмиссии вибрации относится к основным областям применения инструмента. Однако, если инструмент используется для различных целей, с различными дополнительными принадлежностями или при ненадлежащем уходе, то уровень шума и/или вибрации может измениться. Это может привести к значительному увеличению уровня воздействия вибрации в течение всего рабочего периода.

При расчете приблизительного значения уровня воздействия шума и/или вибрации также

необходимо учитывать время, когда инструмент выключен или то время, когда он работает на холостом ходу. Это может привести к значительному снижению уровня воздействия вибрации в течение всего рабочего периода.

Определите дополнительные меры техники безопасности для защиты оператора от воздействия шума и/или вибрации, а именно: поддержание инструмента и дополнительных принадлежностей в рабочем состоянии, создание комфортных условий работы (соответствующих вибрации), хорошая организация рабочего места.

Декларация о соответствии нормам ЕС Директива по механическому оборудованию



Аккумуляторная дисковая пила DCS512

DeWALT заявляет, что продукция, описанная в разделе «Технические характеристики» соответствует: 2006/42/EC, EN62841-2-1:2015, EN62841-2-5:2014.

Эти продукты также соответствуют Директивам 2014/30/EU и 2011/65/EU. Для получения дополнительной информации обратитесь в компанию DeWALT по адресу, указанному ниже или приведенному на задней стороне обложки руководства. Нижеподписавшийся несет ответственность за составление технической документации и составил данную декларацию по поручению компании DeWALT.

Маркус Ромпел
Вице-президент по инженерным разработкам, PTE-Europe
DeWALT, Richard-Klinger-Straße 11,
65510, Idstein, Germany
07.05.2021



ВНИМАНИЕ: Во избежание риска получения травм ознакомьтесь с инструкцией.

Обозначения: правила техники безопасности

Ниже описывается уровень опасности, обозначаемый каждым из предупреждений. Прочитайте руководство и обратите внимание на данные символы.



ОПАСНО: Обозначает опасную ситуацию, которая неизбежно приведет к серьезной травме или смертельному исходу, в случае несоблюдения соответствующих мер безопасности.

Батареи				Зарядные устройства/время зарядки (мин)								
Кат. №	V пост. тока	Ah	Вес kg	DCB104	DCB107	DCB110	DCB112	DCB113	DCB115	DCB116	DCB132	DCB119
DCB122	12	2,0	0,22	30	90	90	60	50	30	30	30	60
DCB124/G	12	3,0	0,25	45	140	140	90	70	45	45	45	90
DCB125	12	1,3	0,20	22	60	60	40	30	22	22	22	40
DCB126/G	12	5,0	0,46	75	240	240	150	120	75	75	75	150
DCB127	12	2,0	0,22	30	90	90	60	50	30	30	30	60



ВНИМАНИЕ: Указывает на потенциально опасную ситуацию, которая, в случае несоблюдения соответствующих мер безопасности, **может** привести к **серьезной травме или смертельному исходу**.



ПРЕДУПРЕЖДЕНИЕ: Указывает на потенциально опасную ситуацию, которая, в случае несоблюдения соответствующих мер безопасности **может** стать причиной травм **средней или легкой степени тяжести**.

ПОЯСНЕНИЕ: Указывает на практики, использование которых не связано с получением травмы, но если ими пренебречь, **могут** привести к **порче имущества**.



Указывает на риск поражения электрическим током.



Указывает на риск возгорания.

ОБЩИЕ ПРАВИЛА ТЕХНИКИ БЕЗОПАСНОСТИ ПРИ ИСПОЛЬЗОВАНИИ ЭЛЕКТРОИНСТРУМЕНТОВ



ВНИМАНИЕ: Прочитайте и просмотрите все предупреждения, инструкции, иллюстрации и спецификации по данному электроинструменту. Несоблюдение всех приведенных ниже инструкций может стать причиной поражения электрическим током, возгорания и/или тяжелой травмы.

СОХРАНИТЕ ВСЕ ИНСТРУКЦИИ ДЛЯ ПОСЛЕДУЮЩЕГО ИСПОЛЬЗОВАНИЯ

Термин «электроинструмент» в предупреждениях относится к работающим от сети

(проводным) электроинструментам или работающим от аккумуляторной батареи (беспроводным) электроинструментам.

1) Безопасность на рабочем месте

- Следите за чистотой и хорошим освещением на рабочем месте.** Захламленное или плохо освещенное рабочее место может стать причиной несчастного случая.
- Запрещается работать с электроинструментами во взрывоопасных местах, например, вблизи легковоспламеняющихся жидкостей, газов**

и пыли. Искры, которые появляются при работе электроинструментов могут привести к воспламенению пыли или паров.

- Следите за тем, чтобы во время работы с электроинструментом в зоне работы не было посторонних и детей.** Отвлекаясь от работы вы можете потерять контроль над инструментом.

2) Электробезопасность

- Штепсельная вилка электроинструмента должна соответствовать розетке. Никогда не меняйте вилку инструмента. Запрещается использовать переходники к вилкам для электроинструментов с заземлением.**
Использование оригинальных штепсельных вилок, соответствующих типу сетевой розетки снижает риск поражения электрическим током.
- Избегайте контакта с заземленными поверхностями, такими как трубы, радиаторы и холодильники.** Если вы будете заземлены, увеличивается риск поражения электрическим током.
- Запрещается оставлять электроинструмент под дождем и в местах повышенной влажности.**
При попадании воды в электроинструмент риск поражения электротоком возрастает.
- Берегите кабель от повреждений. Никогда не используйте кабель для переноски инструмента, не тяните за него, пытайтесь отключить инструмент от сети. Держите кабель подальше от источников тепла, масла, острых углов или движущихся предметов.**
Поврежденный или запутанный кабель питания повышает риск поражения электрическим током.
- При работе с электроинструментом на открытом воздухе используйте удлинитель, подходящий для использования на улице.**
Использование кабеля питания, предназначенного для использования вне помещения, снижает риск поражения электрическим током.
- Если использование электроинструмента в условиях повышенной влажности неизбежно, используйте устройства защитного отключения (УЗО) для защиты сети.**
Использование УЗО сокращает риск поражения электрическим током.

3) Обеспечение индивидуальной безопасности

- a) **Будьте внимательны, смотрите, что делаете и не забывайте о здравом смысле при работе с электроинструментом. Запрещается работать с электроинструментом в состоянии усталости, наркотического, алкогольного опьянения или под воздействием лекарственных препаратов.** Невнимательность при работе с электроинструментом может привести к серьезным телесным повреждениям.
- b) **Используйте индивидуальные средства защиты. Всегда используйте защитные очки.** Средства защиты, такие как пылезащитная маска, обувь с нескользящей подошвой, каска и защитные наушники, используемые при работе, уменьшают риск получения травм.
- c) **Примите меры для предотвращения случайного включения. Перед тем как подключить электроинструмент к сети и/или аккумуляторной батарее, взять инструмент или перенести его на другое место, убедитесь в том, что выключатель находится в положении «Выкл.».** Если при переноске электроинструмента он подключен к сети, и при этом ваш палец находится на выключателе, это может стать причиной несчастных случаев.
- d) **Уберите все регулировочные или гаечные ключи перед включением электроинструмента.** Ключ, оставленный на вращающейся части электроинструмента, может привести к травме.
- e) **Не пытайтесь дотянуться до слишком удаленных поверхностей. Обувь должна быть удобной, чтобы вы всегда могли сохранять равновесие.** Это позволит лучше контролировать электроинструмент в непредвиденных ситуациях.
- f) **Одевайтесь соответствующим образом. Избегайте носить свободную одежду и ювелирные украшения. Следите за тем, чтобы волосы и одежда не попадали под движущиеся детали.** Возможно наматывание свободной одежды, ювелирных изделий и длинных волос на движущиеся детали.
- g) **При наличии устройств для подключения оборудования для удаления и сбора пыли необходимо обеспечить правильность их подключения и эксплуатации.** Использование устройств для пылеудаления сокращает риски, связанные с пылью.
- h) **Не позволяйте хорошему знанию от частого использования инструментов стать причиной самонадеянности и игнорирования правил техники безопасности.** Небрежное действие может повлечь серьезные травмы за долю секунды.

4) Эксплуатация электроинструмента и уход за ним

- a) **Избегайте чрезмерной нагрузки электроинструмента. Используйте электроинструмент в соответствии с назначением.** Правильно подобранный электроинструмент выполнит работу более эффективно и безопасно при стандартной нагрузке.
- b) **Не пользуйтесь инструментом, если не работает выключатель.** Любой инструмент, управлять выключением и включением которого невозможно, опасен, и его необходимо отремонтировать.
- c) **Перед выполнением любых настроек, сменной аксессуаров или прежде чем убрать инструмент на хранение, отключите его от сети и/или снимите с него аккумуляторную батарею, если ее можно снять.** Такие превентивные меры безопасности сокращают риск случайного включения электроинструмента.
- d) **Храните электроинструмент в недоступном для детей месте и не позволяйте работать с инструментом людям, не имеющим соответствующих навыков работы с такого рода инструментами.** Электроинструмент представляет опасность в руках неопытных пользователей.
- e) **Поддерживайте электроинструмент и принадлежности в исправном состоянии. Проверьте, не нарушена ли центровка или не заклинены ли движущиеся детали, нет ли повреждений или иных неисправностей, которые могли бы повлиять на работу электроинструмента. В случае обнаружения повреждений, прежде чем приступить к эксплуатации электроинструмента, его нужно отремонтировать.** Большинство несчастных случаев происходит из-за электроинструментов, которые не обслуживаются должным образом.
- f) **Содержите режущий инструмент в остро заточенном и чистом состоянии.** Вероятность заклинивания инструмента, за которым следят должным образом и который хорошо заточен, значительно меньше, а работать с ним легче.
- g) **Используйте электроинструменты, принадлежности и насадки в соответствии с данными инструкциями, принимая во внимание условия работы и характер выполняемой работы.** Использование электроинструмента для выполнения операций, для которых он не предназначен, может привести к созданию опасных ситуаций.
- h) **Все рукоятки и поверхности захватывания должны быть сухими и без следов смазки.** Скользкие рукоятки и поверхности захватывания не позволяют обеспечить безопасность

работы и управления инструментом в непредвиденных ситуациях.

5) Использование аккумуляторных электроинструментов и уход за ними

- a) **Используйте для зарядки аккумуляторной батареи только указанное производителем зарядное устройство.** Использование зарядного устройства определенного типа для зарядки других батарей может привести к возгоранию.
- b) **Используйте для электроинструмента только батареи указанного типа.** Использование других аккумуляторных батарей может стать причиной травмы и пожара.
- c) **Оберегайте батарею от попадания в нее скрепок, монет, ключей, гвоздей, болтов или других мелких металлических предметов, которые могут вызывать замыкание контактов.** Короткое замыкание контактов аккумуляторной батареи может привести к пожару или получению ожогов.
- d) **При повреждении батареи, из нее может вытечь электролит. Не прикасайтесь к нему. При случайном контакте с электролитом смойте его водой. При попадании электролита в глаза обратитесь за медицинской помощью.** Жидкость, находящаяся внутри батареи, может вызвать раздражение или ожоги.
- e) **Не используйте поврежденные или измененные аккумуляторные батареи или инструменты.** Поврежденные или измененные аккумуляторные батареи могут работать непредсказуемо, что может привести к возгоранию, взрыву или риску получения травмы.
- f) **Не подвергайте аккумуляторные батареи или инструмент воздействию огня или повышенной температуры.** Открытый огонь или воздействие высокой температуры выше 130 °C может привести к взрыву.
- g) **Следуйте всем инструкциям по зарядке и не заряжайте аккумуляторную батарею или инструмент вне температурного диапазона, указанного в инструкции.** Неправильная зарядка или зарядка вне указанного температурного диапазона может привести к повреждению батареи и увеличить риск возгорания.

6) Обслуживание

- a) **Обслуживание электроинструмента должен проводить квалифицированный специалист с использованием только оригинальных запасных частей.** Это позволит обеспечить безопасность обслуживаемого электрифицированного инструмента.
- b) **Не выполняйте обслуживание поврежденных аккумуляторных батарей.** Обслуживание аккумуляторных батарей должно выполняться только производителем или авторизованными поставщиками услуг.

Инструкции по технике безопасности для всех типов пил

Операции по пиленнию

- a) **▲ ОПАСНО: Держите руки на расстоянии от области распила и диска. Держите вторую руку на дополнительной рукоятке или на корпусе двигателя.** Если пила удерживается обеими руками, вероятность их пореза диском исключается.
- b) **Не держите руки под обрабатываемой деталью.** Защитный кожух не защищает руки от касания диска под заготовкой.
- c) **Отрегулируйте глубину резания в соответствии с толщиной обрабатываемой детали.** Под заготовкой должно быть видно менее полной высоты зуба диска.
- d) **Никогда не удерживайте заготовку в руках или прижав ее к ноге во время резки. Зафиксируйте заготовку на неподвижной опоре.** Необходимо надлежащим образом закрепить обрабатываемую деталь для снижения риска получения травмы, заклинивания диска или потери контроля.
- e) **Удерживайте электроинструмент за изолированные ручки при выполнении работ, во время которых имеется вероятность контакта режущего инструмента со скрытой электропроводкой.** Контакт с проводом под напряжением приводит к подаче напряжения на соприкасающиеся с ним металлические детали электроинструмента и к поражению оператора электрическим током.
- f) **При выполнении продольного распила всегда используйте направляющий упор или прямую направляющую для кромок.** Это повышает точность распила и снижает вероятность заклинивания диска.
- g) **Всегда используйте диски с посадочными отверстиями соответствующего размера и формы (ромбовидные или круглые).** Диски, которые не соответствуют крепежным приспособлениям пилы, будут вращаться несимметрично относительно центра, что может привести к потере управления.
- h) **Ни в коем случае не используйте поврежденные или несоответствующие шайбы или болты для дисков.** Шайбы и болты для дисков были разработаны специально для данной пилы с целью обеспечения оптимальной производительности и безопасности во время работы.

ИНСТРУКЦИИ ПО ТЕХНИКЕ БЕЗОПАСНОСТИ ДЛЯ ВСЕХ ПИЛ

Причины обратного удара и меры по его предотвращению

- Отдача представляет собой внезапную реакцию на защемление, застревание или смещение пильного полотна, что приводит к неконтролируемому подъему пилы из заготовки в направлении оператора;
- Если полотно зажимается или застревает в пропилах, оно останавливается, а реакция электродвигателя приводит к тому, что устройство быстро смещается в направлении оператора;
- Если полотно перекашивается или смещается в пропилах, зубья на его задней кромке могут войти в верхнюю часть деревянной детали, что приведет к выходу полотна из пропила и его скачку в направлении оператора.

Отдача является результатом неправильного использования пилы и/или использования неправильных методов или режима; избежать этого явления можно путем выполнения указанных далее мер предосторожности:

- a) **Прочно удерживайте пилу обеими руками таким образом, чтобы иметь возможность позасуть энергию отдачи. Ваше тело должно находиться сбоку от пильного полотна, а не на одной прямой с ним.** Отдача может при вести к скачку пилы назад, но оператор может засуть его энергию, при условии соблюдения надлежащих мер.
- b) **В случае заклинивания полотна или в случае прекращения распиловки по любой причине, отпустите пусковой выключатель и удерживайте пилу неподвижно в заготовке до полной остановки полотна. Никогда не пытайтесь вытащить пилу из обрабатываемой детали или потянуть пилу назад во время вращения полотна, это может привести к отдаче.** Выясните причину и примите надлежащие меры по устранению причины заклинивания полотна.
- c) **При перезапуске пилы в детали отцентрируйте пильное полотно в пропилах и убедитесь в том, что зубья пилы не касаются материала.** Если полотно заклинило, оно может подскочить вверх или ударить назад при повторном запуске пилы.
- d) **Поддерживайте большие панели для снижения риска защемления или заклинивания полотна. Большие заготовки имеют тенденцию прогибаться под тяжестью собственного веса.** Опору нужно поставить под обе стороны панели, около линии разреза и около края панели.
- e) **Не используйте тупые или поврежденные полотна.** Тупые или неправильно разведенные полотна образуют узкий пропил, что приводит к повышенному трению, заклиниванию полотна и образованию отдачи.
- f) **Рычаги настройки глубины пропила и угла резки на конус перед началом работы должны быть затянуты и зафиксированы.** В случае

сбоя регулировки полотна во время работы может произойти заклинивание и отдача.

- g) **Соблюдайте повышенную осторожность при выполнении врезного пиления стен или в других слепых зонах.** Выступающее полотно может встречаться с предметами, которые могут привести к образованию отдачи.

Дополнительные инструкции по технике безопасности для дисковых пил

- **Используйте защитные наушники.** Шум может стать причиной снижения слуха.
- **Надевайте респиратор.** Вдыхание пыли может привести к нарушению функций дыхания и, возможно, к развитию заболеваний.
- **Не используйте диски меньшего или большего диаметра по сравнению с рекомендованными.** Размеры пильных дисков см. в разделе «Технические характеристики». Используйте только диски, указанные в данном руководстве, соответствующие стандарту EN847-1.
- **Никогда не используйте абразивные отрезные круги.**
- **Не используйте дополнительные приспособления подачи воды.**
- **Используйте зажимы или другие уместные средства фиксации заготовки на стабильной опоре.** Держать заготовку на весу или в руках перед собой неудобно и это может привести к потере контроля над инструментом.
- **Используйте только пильные диски с указанной скоростью, равной или превышающей скорость, указанную на инструменте.**
- **Избегайте перегрева кончиков пильного диска.**
- **Установите выход для удаления пыли на пилу перед использованием.**

Остаточные риски

Несмотря на соблюдение соответствующих инструкций по технике безопасности и использование предохранительных устройств, некоторые остаточные риски невозможно полностью исключить. А именно:

- ухудшение слуха;
- риск травм от разлетающихся частиц;
- риск получения ожогов в результате нагревания инструмента в процессе работы;
- риск получения травмы в результате продолжительной работы.

СОХРАНИТЕ НАСТОЯЩЕЕ РУКОВОДСТВО

Зарядные устройства

Зарядные устройства DeWALT не требуют регулировки и максимально просты в использовании.

Электробезопасность

Электродвигатель рассчитан на работу только при одном напряжении сети. Необходимо обязательно убедиться в том, что напряжение источника питания соответствует указанному на шильдике устройства. Необходимо также убедиться в том, что напряжение работы зарядного устройства соответствует напряжению в сети.



Зарядное устройство DEWALT оснащено двойной изоляцией в соответствии с требованиями EN60335; поэтому провод заземления не требуется.

В случае повреждения кабеля питания его необходимо заменить специально подготовленным кабелем, который можно приобрести в сервисных центрах DEWALT.

Использование удлинительного кабеля

Используйте удлинитель только в случаях крайней необходимости. Используйте только утвержденные удлинители промышленного изготовления, рассчитанные на мощность не меньшую, чем потребляемая мощность зарядного устройства (см. **Технические характеристики**). Минимальное поперечное сечение провода электрического кабеля должно составлять 1 мм²; максимальная длина 30 м. При использовании кабельного барабана всегда полностью разматывайте кабель.

Важные инструкции по технике безопасности для всех зарядных устройств

СОХРАНИТЕ НАСТОЯЩЕЕ РУКОВОДСТВО. В данном руководстве содержатся важные инструкции по технике безопасности для совместимых зарядных устройств (см. **Технические характеристики**).

- *Перед тем как использовать зарядное устройство, внимательно изучите все инструкции и предупреждающие этикетки на зарядном устройстве, батарее и инструменте, для которого используется батарея.*



ВНИМАНИЕ: Опасность поражения электрическим током. Не допускайте попадания жидкости в зарядное устройство. Это может привести к поражению электрическим током.



ВНИМАНИЕ: Рекомендуется использовать устройство защитного отключения (УЗО) с током утечки до 30 мА.



ВНИМАНИЕ: Опасность ожога. Во избежание травм, следует использовать только аккумуляторные батареи производства DEWALT. Использование батарей другого типа может привести к взрыву, травмам и повреждениям.



ПРЕДУПРЕЖДЕНИЕ: Не позволяйте детям играть с данным устройством.

ПОЯСНЕНИЕ: В определенных условиях, при подключении зарядного устройства к источнику питания, может произойти короткое замыкание контактов внутри зарядного устройства посторонними материалами. Не допускайте

попадания в полости зарядного устройства таких токопроводящих материалов, как стальная стружка, алюминиевая фольга или другие металлические частицы и т. п. Всегда отключайте зарядное устройство от источника питания, если в нем нет аккумуляторной батареи. Всегда отключайте зарядное устройство от сети перед тем, как приступить к очистке инструмента

- **НЕ ПЫТАЙТЕСЬ заряжать батареи с помощью каких-либо других зарядных устройств, кроме тех, которые указаны в данном руководстве.** Зарядное устройство и батарея предназначены для совместного использования.
- **Эти зарядные устройства не предназначены ни для какого другого использования, помимо зарядки аккумуляторных батарей DEWALT.** Использование любых других батарей может привести к возгоранию, поражению электротоком или гибели от электрического шока.
- **Не подвергайте зарядное устройство воздействию снега или дождя.**
- **При отключении зарядного устройства от сети всегда тяните за штепсельную вилку, а не за кабель.** Это поможет избежать повреждения штепсельной вилки и розетки.
- **Убедитесь в том, что кабель расположен таким образом, чтобы на него не наступили, не споткнулись об него, а также в том, что он не натянут и не может быть поврежден.**
- **Не используйте удлинительный кабель без крайней необходимости.** Использование удлинительного кабеля неподходящего типа может привести к пожару или поражению электрическим током.
- **Не ставьте на зарядное устройство никакие предметы и не устанавливайте зарядное устройство на мягкую поверхность, которая может закрыть вентиляционные отверстия и привести к перегреву.** Не размещайте зарядное устройство поблизости от источников тепла. Вентиляция зарядного устройства происходит с помощью отверстий в верхней и нижней части корпуса.
- **Не используйте зарядное устройство при наличии поврежденный кабеля или штепсельной вилки – в этом случае необходимо немедленно их заменить.**
- **Не используйте зарядное устройство, если его роняли, либо если оно подвергалось сильным ударам или было повреждено каким-либо иным образом.** Обратитесь в авторизованный сервисный центр.
- **Не разбирайте зарядное устройство.** При необходимости обратитесь в специализированный сервисный центр, если нужно провести обслуживание или ремонт инструмента. Неправильная сборка может стать причиной пожара или поражения электрическим током.

- В случае повреждения кабеля питания его необходимо немедленно заменить у производителя, в его сервисном центре или с привлечением другого специалиста аналогичной квалификации для предотвращения несчастного случая.
- **Перед очисткой отключите зарядное устройство от сети. В противном случае, это может привести к поражению электрическим током.** Извлечение аккумуляторной батареи не приведет к снижению степени этого риска.
- **НИКОГДА** не подключайте два зарядных устройства вместе.
- **Зарядное устройство предназначено для работы при стандартном напряжении сети в 230 В. Не пытайтесь использовать его при каком-либо ином напряжении.** Это не относится к автомобильному зарядному устройству.







Зарядка батареи (Рис. [Fig.] В)

1. Перед установкой батареи подключите зарядное устройство к соответствующей сетевой розетке.
2. Вставьте аккумуляторную батарею **3** в зарядное устройство, убедившись в том, что она хорошо установлена. Красный индикатор зарядки начнет мигать. Это означает, что процесс зарядки начался.
3. По окончании зарядки красный индикатор будет гореть непрерывно, не мигая. Теперь батарея полностью заряжена, и ее можно использовать или оставить в зарядном устройстве. Чтобы извлечь аккумуляторную батарею из зарядного устройства, нажмите кнопку фиксатора батареи **13** и извлеките батарею.

ПРИМЕЧАНИЕ: Чтобы обеспечить максимальную производительность и срок службы литий-ионных батарей, перед первым использованием полностью зарядите аккумуляторную батарею.

Работа с зарядным устройством

См. состояние зарядки аккумуляторной батареи на приведенных ниже индикаторах.

Индикаторы зарядки	
 Зарядка	
 Полностью заряжен	
 Температурная задержка*	

*В это время красный индикатор продолжит мигать, а когда начнется зарядка, загорится желтый. После того, как батарея достигнет рабочей температуры, желтый индикатор погаснет, и зарядка продолжится.

Зарядное(-ые) устройство(-а) не может(-гут) полностью зарядить неисправную аккумуляторную батарею. При неисправной аккумуляторной батарее, индикатор на зарядном устройстве не загорится.

ПРИМЕЧАНИЕ: Также это может указывать на проблему с зарядным устройством.

Если зарядное устройство указывает на наличие проблемы, проверьте аккумулятор и зарядное устройство в специализированном сервисном центре.

Температурная задержка

Если температура батареи слишком низкая или слишком высокая, зарядное устройство автоматически переходит в режим температурной задержки; при этом зарядка не начинается до тех пор, пока батарея не достигнет нужной температуры. После того, как нужный уровень температуры будет достигнут, устройство перейдет в режим зарядки. Данная функция обеспечивает максимальный срок эксплуатации батареи.

Зарядка холодной батареи занимает больше времени, чем теплой. Аккумуляторная батарея заряжается медленнее во время цикла зарядки и максимального заряда не удастся добиться даже после того, как аккумуляторная батарея будет теплой.

Зарядное устройство DCB118 оснащено внутренним вентилятором для охлаждения батареи. Вентилятор включится автоматически, если батарея нуждается в охлаждении. Не используйте зарядное устройство, если вентилятор не функционирует или если забиты вентиляционные отверстия. Не позволяйте посторонним предметам попадать внутрь зарядного устройства.

Система электронной защиты

Литий-ионные аккумуляторные батареи XR оснащены системой электронной защиты, которая защищает аккумуляторную батарею от перегрузки, перегрева или глубокой разрядки.

При срабатывании системы электронной защиты инструмент автоматически отключается. В этом случае поставьте литий-ионную батарею на зарядку до тех пор, пока она полностью не зарядится.

Крепление на стену

Данные зарядные устройства могут крепиться на стены или устанавливаться на стол или рабочую поверхность. При креплении на стену расположите зарядное устройство в пределах досягаемости розетки и подальше от углов и других препятствий, которые могут помешать потоку воздуха. Используйте заднюю часть зарядного устройства в качестве образца для положения монтажных болтов на стене. Надежно закрепите зарядное устройство при помощи саморезов (приобретаются отдельно) длиной минимум в 25,4 мм с диаметром шляпки самореза в 7–9 мм, вкрученных в дерево до оптимальной глубины, оставляющей на поверхности примерно 5,5 мм самореза. Совместите отверстия на задней стороне зарядного устройства с выступающими саморезами и полностью вставьте их в отверстия.

Инструкции по очистке зарядного устройства

⚠ ВНИМАНИЕ: Опасность поражения электрическим током. Перед чисткой отключите зарядное устройство от сети питания. Грязь и жир можно удалить с наружной поверхности зарядного устройства с помощью

тряпки или мягкой неметаллической щетки.
Не используйте воду или чистящие растворы.
Не допускайте попадания жидкости внутрь инструмента; никогда не погружайте никакие из деталей инструмента в жидкость.

Аккумуляторные батареи

Важные инструкции по технике безопасности для всех батарей

При заказе запасных батарей не забудьте указать номер по каталогу и напряжение.

При покупке батарея заряжена не полностью. Перед тем, как использовать батарею и зарядное устройство, прочтите следующие инструкции по технике безопасности. Затем выполните необходимые действия для зарядки.

ВНИМАТЕЛЬНО ПРОЧИТЕ ВСЕ ИНСТРУКЦИИ

- **Не заряжайте и не используйте батарею во взрывоопасной атмосфере, например, при наличии горючих жидкостей, газов или пыли.** Установка или удаление батареи из зарядного устройства может привести к воспламенению пыли или газов.
- **Никогда не прилагайте больших усилий, вставляя батарею в зарядное устройство. Не вносите изменения в конструкцию батарей с целью установить их в зарядное устройство, к которому они не подходят. Это может привести к серьезным травмам.**
- Заряжайте батареи только с помощью зарядных устройств DEWALT.
- **НЕ ПРОЛИВАЙТЕ** на них и не погружайте их в воду или другие жидкости.
- **Не храните и не используйте данное устройство и батарею при температуре выше 40 °C (например, на внешних пристройках или на металлических поверхностях зданий в летнее время).**
- **Не сжигайте батареи, даже поврежденные или полностью отработавшие.** При попадании в огонь батареи могут взорваться. При сжигании литий-ионных батарей образуются токсичные вещества и газы.
- **При попадании содержимого батареи на кожу, немедленно промойте это место водой с мылом.** При попадании содержимого батареи в глаза, необходимо промыть открытые глаза проточной водой в течение 15 минут или до тех пор, пока не пройдет раздражение. При необходимости обращения к врачу, может пригодиться следующая информация: электролит представляет собой смесь жидких органических углекислых и литиевых солей.
- **При вскрытии батареи, ее содержимое может вызвать раздражение дыхательных путей.** Обеспечьте наличие свежего воздуха. Если симптомы сохраняются, обратитесь к врачу.



ВНИМАНИЕ: Опасность ожога. Содержимое батареи может воспламениться при попадании искр или огня.



ВНИМАНИЕ: Ни в коем случае не разбирайте батарею. При наличии трещин или других поврежденных батарей, не устанавливайте ее в зарядное устройство. Не роняйте батарею и не подвергайте ее ударам или другим повреждениям. Не используйте батарею или зарядное устройство после удара, падения или получения каких-либо других повреждений (например, после того, как ее проткнули гвоздем, ударили молотком или наступили на нее). Это может привести к удару или поражению электрическим током. Поврежденные батареи необходимо вернуть в сервисный центр для повторной переработки.



ВНИМАНИЕ: Риск воспламенения. Избегайте замыкания выводов батарей металлическими предметами во время хранения или переноски. Например, не кладите аккумуляторные батареи в передники, карманы, ящики для инструментов, выдвижные ящики и т. п. с гвоздями, гайками, ключами и т. п.



ПРЕДУПРЕЖДЕНИЕ: Когда устройство не используется, кладите его на бок на устойчивую поверхность в таком месте, где оно не может упасть и об него нельзя споткнуться. Некоторые устройства с батареями большого размера, стоят сверху на батарее, и могут легко упасть.

Транспортировка



ВНИМАНИЕ: Риск воспламенения. При транспортировке аккумуляторных батарей может произойти возгорание, если терминалы аккумуляторных батарей случайно будут замкнуты электропроводящими материалами. При транспортировке аккумуляторных батарей убедитесь в том, что терминалы защищены и хорошо изолированы от материалов, контакт с которыми может привести к короткому замыканию.

ПРИМЕЧАНИЕ: Литий-ионные аккумуляторные батареи запрещается сдавать в багаж.

Батареи DEWALT соответствуют всем применимым правилам транспортировки, как предусмотрено промышленными и юридическими стандартам, включая рекомендации ООН по транспортировке опасных грузов; Ассоциация международных авиаперевозчиков (IATA) правила перевозки опасных грузов, Международные правила перевозки опасных грузов морским путем (IMDG), и европейское соглашение о международной дорожной перевозке опасных грузов (ADR). Литий-ионные элементы и аккумуляторные батареи были протестированы в соответствии с разделом 38.3 Рекомендаций ООН по транспортировке опасных грузов руководства по тестам и критериям.

В большинстве случаев транспортировка аккумуляторных батарей DEWALT не попадает под классификацию, поскольку они не являются опасными материалами Класса 9. В целом, полностью под правила Класса 9 подпадают только перевозки литий-ионных батарей с энергоемкостью выше 100 Ватт час (Вт ч). Энергоемкость всех литий-ионных аккумуляторных батарей в Ватт-часах указана на упаковке. Кроме того, из-за сложности правил, DEWALT не рекомендует перевозку литий-ионных батарей по воздуху вне зависимости от их энергоемкости. Поставки инструментов с батареями (комбинированные наборы) могут перевозиться по воздуху согласно исключениям, если энергоемкость батареи не превышает 100 Вт ч.

Независимо от того, является ли перевозка исключением или выполняется по правилам, перевозчик должен уточнить последние требования к упаковке, маркировке и оформлению документации.

Информация, изложенная в данном руководстве обоснована и на момент создания данного документа может считаться точной. Но эта гарантия не является ни выраженной, ни подразумеваемой. Покупатель должен обеспечить то, что бы его деятельность соответствовала всем применимым законам.

Рекомендации по хранению

1. Лучшим местом для хранения является прохладное и сухое место, защищенное от прямых солнечных лучей, высокой или низкой температуры. Для оптимальной работы и продолжительного срока службы, храните неиспользуемые аккумуляторные батареи при комнатной температуре.
2. Для достижения максимальных результатов при продолжительном хранении рекомендуется полностью зарядить батарейный комплект и хранить его в прохладном сухом месте вне зарядного устройства.

ПРИМЕЧАНИЕ: Аккумуляторные батареи не должны храниться в полностью разряженном состоянии. Перед использованием аккумуляторная батарея требует повторной зарядки.

Маркировка на зарядном устройстве и аккумуляторной батарее

Помимо pictограмм, используемых в данном руководстве, на зарядном устройстве и батарее имеются следующие обозначения:



Перед началом работы прочтите руководство по эксплуатации.



Чтобы узнать время зарядки, см. **Технические характеристики**.



Не касайтесь токопроводящими предметами контактов батареи и зарядного устройства.



Не пытайтесь заряжать поврежденную батарею.



Не подвергайте электроинструмент или его элементы воздействию влаги.



Немедленно заменяйте поврежденный кабель питания.



Зарядку осуществляйте только при температуре от 4 °C до 40 °C.



Для использования внутри помещений.



Утилизируйте отработанные батареи безопасным для окружающей среды способом.



Заряжайте аккумуляторные батареи DEWALT только с помощью соответствующих зарядных устройств DEWALT. Зарядка иных аккумуляторных батарей, кроме DEWALT на зарядных устройствах DEWALT может привести к возгоранию аккумуляторных батарей и возникновению других опасных ситуаций.



Не сжигайте аккумуляторную батарею.

Тип батареи

Модели, работающие от аккумуляторных батарей 12 В: DCS512

Могут использоваться следующие типы батарей: DCB122, DCB124/G, DCB125, DCB126/G, DCB127. См. раздел **«Технические характеристики»** для подробной информации.

Комплектация поставки

В упаковку входят:

- 1 Дискосая пила
- 1 Пильный диск
- 1 Шестигранный ключ
- 1 Параллельная направляющая
- 1 Патрубок пылеотвода
- 1 Зарядное устройство (модели C, D, L, M, P, S, T, X, Y)
- 1 Ионно-литиевая аккумуляторная батарея (модели C1, D1, L1, M1, P1, S1, T1, X1, Y1)
- 2 Ионно-литиевые аккумуляторные батареи (модели C2, D2, L2, M2, P2, S2, T2, X2, Y2)
- 3 Ионно-литиевые аккумуляторные батареи (модели C3, D3, L3, M3, P3, S3, T3, X3, Y3)
- 1 Руководство по эксплуатации

ПРИМЕЧАНИЕ: Аккумуляторные батареи, зарядные устройства и инструментальные ящики не входят в комплект поставки для моделей N. Аккумуляторные батареи и зарядные устройства не входят в комплект поставки для моделей NT. Модели V включают в себя аккумуляторные батареи Bluetooth®.

ПРИМЕЧАНИЕ: Словесный товарный знак и логотип Bluetooth® являются зарегистрированными товарными знаками Bluetooth®, SIG, Inc. любое использование этих

знаков DEWALT лицензировано. Другие торговые марки и названия принадлежат их владельцам.

- Проверьте инструмент, детали и дополнительные принадлежности на наличие повреждений, которые могли произойти во время транспортировки.
- Перед эксплуатацией внимательно прочтите данное руководство.

Маркировка на инструменте

На инструмент нанесены следующие обозначения:



Перед началом работы прочтите руководство по эксплуатации.



Используйте защитные наушники.



Используйте защитные очки.



Видимое излучение. Не направляйте луч в глаза.

Место положения кода даты (Рис. В)

Код даты **16**, который также включает в себя год изготовления, отштампован на поверхности корпуса инструмента.

Пример:

2020 XX XX
Год изготовления

Описание (Рис. А, D, F)



ВНИМАНИЕ: Никогда не вносите изменения в конструкцию электроинструмента или какой-либо его части. Это может привести к повреждению или травме.

- 1 Кнопка блокировки куркового пускового выключателя
- 2 Курковый пусковой выключатель
- 3 Аккумуляторная батарея
- 4 Рычаг регулировки глубины пропила
- 5 Основание пилы
- 6 Отводящий рычаг нижнего защитного кожуха
- 7 Нижний защитный кожух диска
- 8 Зажимной винт пильного диска
- 9 Индикатор пропила
- 10 Рычаг регулировки угла наклона
- 11 Подсветка
- 12 Дополнительная рукоятка
- 13 Отпирающая кнопка батареи
- 14 Шестигранный ключ
- 15 Пильный диск
- 16 Шпindelь
- 17 Крюк для крепления на стропилах

Назначение

Ваша DCS512 аккумуляторная дисковая пила предназначена для профессиональных работ по пиленнию древесины. Не

применяйте для распиловки металла, пластмассы, бетона, кирпичной кладки или фиброцементных материалов.

НЕ ИСПОЛЬЗУЙТЕ в условиях повышенной влажности или близости от легковоспламеняющихся жидкостей или газов.

Данные дисковые пилы высокой мощности являются профессиональными электроинструментами.

НЕ РАЗРЕШАЙТЕ детям прикасаться к инструменту.

Использование инструмента неопытными пользователями должно происходить под контролем опытного лица.

- **Малолетние дети и люди с ограниченными физическими возможностями.** Данный инструмент не предназначен для использования маленькими детьми или людьми с ограниченными физическими возможностями, если они не находятся под присмотром лица, отвечающего за их безопасность.
- Данный инструмент не предназначен для использования лицами (включая детей) с ограниченными физическими, психическими и умственными возможностями, не имеющими опыта, знаний или навыков работы с ним, если они не находятся под наблюдением лица, ответственного за их безопасность. Никогда не оставляйте детей без присмотра с этим инструментом.

СБОРКА И РЕГУЛИРОВКА



ВНИМАНИЕ: Чтобы снизить риск получения серьезной травмы, необходимо выключить инструмент и отсоединить батарею, прежде чем выполнять какую-либо регулировку либо удалять/устанавливать какие-либо насадки или дополнительные принадлежности. Случайный запуск может привести к травме.



ВНИМАНИЕ: Используйте только зарядные устройства и аккумуляторные батареи марки DEWALT.

Установка и извлечение аккумуляторной батареи из инструмента (Рис. В)

ПРИМЕЧАНИЕ: Убедитесь, что аккумуляторная батарея **3** полностью заряжена.

Установка батареи в рукоятку инструмента

- 1 Совместите аккумуляторную батарею **3** с выемкой на внутренней стороне рукоятки (Рис. В).
- 2 Задвиньте ее в рукоятку так, чтобы аккумуляторная батарея плотно встала на место и убедитесь, что услышали щелчок от вставшего на место замка.

Извлечение батареи из инструмента

- 1 Нажмите кнопку фиксатора батареи **13** и вытащите батарею из рукоятки.
- 2 Вставьте батарею в зарядное устройство, как указано в разделе данного руководства, посвященном зарядному устройству.

Датчик уровня заряда аккумуляторной батареи (Рис. В)


В некоторых аккумуляторных батареях DeWALT есть датчик заряда, который включает три зеленых светодиодных индикатора, показывающих уровень оставшегося заряда аккумуляторной батареи.

Для включения датчика заряда, нажмите и удерживайте кнопку датчика заряда **27**. Загорятся три зеленых светодиода, показывая уровень оставшегося заряда. Когда уровень заряда аккумуляторной батареи будет ниже уровня, необходимого для использования, светодиоды перестанут гореть и аккумуляторную батарею следует зарядить.

ПРИМЕЧАНИЕ: Датчик заряда аккумуляторной батареи показывает уровень оставшегося заряда. Он не показывает работоспособность устройства и его показания могут меняться в зависимости от компонентов продукта, температуры и сфер применения.

Смена пильных дисков

Установка пильного диска (Рис. А, С)


 **ВНИМАНИЕ:** Перед проведением обслуживания, регулировкой или снятием насадок извлекайте батарею.

1. Правильно разместите внутреннюю шайбу **20** на шпинделе **17** пилы.
2. Втяните нижний защитный кожух диска **7** и установите пильный диск на шпиндель пилы вплотную к внутренней зажимной шайбе, при этом убедившись, что диск вращается в правильном направлении (стрелка-индикатор вращения на диске и зубья должны указывать в том же направлении, что и стрелка-индикатор на нижнем защитном кожухе). Помните, что при правильной установке диска нанесенная на него печать не всегда будет развернута в сторону оператора. При втягивании нижнего защитного кожуха для установки пильного диска проверьте состояние и функционирование нижнего защитного кожуха, чтобы убедиться в его надлежащей работе. Убедитесь в том, что он перемещается свободно и не прикасается к диску или другим деталям при любых углах и глубине распила.
3. Установите наружную зажимную шайбу **19** на шпиндель пилы широкой плоской поверхностью к диску, скошенной стороной наружу.
4. Вручную вкрутите зажимной винт пильного диска **8** в шпиндель (винт имеет левостороннюю резьбу и должен затягиваться против часовой стрелки).
5. Нажмите на кнопку блокировки диска **21**, одновременно вращая шпиндель шестигранным ключом **14**, пока не сработает фиксатор диска и диск не перестанет вращаться.
6. Крепко затяните зажимной винт пильного диска при помощи ключа для диска.

ПРИМЕЧАНИЕ: Никогда не действуйте фиксатор диска при работе пилы, или в попытке остановить инструмент.


Никогда не включайте пилу при задействованном фиксаторе диска. Это приведет к серьезным повреждениям пилы.

Замена пильного диска (Рис. А, С)

 **ВНИМАНИЕ:** Перед проведением обслуживания, регулировкой или снятием насадок извлекайте батарею.

1. Чтобы ослабить зажимной винт пильного диска **8**, нажмите на кнопку блокировки диска **21** и поворачивайте шпиндель шестигранным ключом **14**, пока не сработает фиксатор диска и диск не перестанет вращаться. Задействовав блокировку диска, шестигранным ключом поверните по часовой зажимной винт пильного диска (винт имеет левостороннюю резьбу, поэтому для его ослабления следует поворачивать по часовой стрелке).
2. Удалите только зажимной винт диска **8** и внешнюю зажимную шайбу **19**. Снимите старый пильный диск.
3. Вычистите накопившиеся в защитном кожухе или в области зажимной шайбы опилки и проверьте состояние и работу нижнего защитного кожуха диска, как указано выше. Не наносите смазку на данную область.
4. Выберите соответствующий диск для работы (см. раздел «**Пильные диски**»). Всегда используйте диски правильного размера (диаметра) с соответствующим размером и формой посадочного отверстия для установки на шпиндель пилы. Всегда убеждайтесь, что максимальная рекомендуемая скорость (об./мин) пильного диска соответствует или превышает скорость (об./мин) пилы.
5. Следуйте этапам 2–6 в разделе «**Установка пильного диска**», убедившись, что диск будет вращаться в правильном направлении.

Нижний защитный кожух диска

 **ВНИМАНИЕ:** Нижний защитный кожух диска выполняет функции безопасности и снижает риск получения серьезных травм. Не используйте пилу, если нижний защитный кожух отсутствует, поврежден, неправильно установлен или не работает должным образом. Помните, что нижний защитный кожух не способен защитить вас при любых обстоятельствах. Ваша безопасность зависит от следования всем предупреждениям и предостережениям, а также правильной эксплуатации пилы. Перед каждым использованием проверяйте, правильно ли закрыт нижний защитный кожух диска. Если нижний защитный кожух диска отсутствует или не работает должным образом, сдайте пилу на техническое обслуживание перед использованием. Для обеспечения безопасности и надежности изделия, ремонт, техническое обслуживание и регулировка должны выполняться в авторизованном сервисном центре или

другой квалифицированный организации по обслуживанию с использованием идентичным запасных частей.

Проверка нижнего защитного кожуха (рис. А)

1. Выключите инструмент и отсоедините его от сети.
2. Вращайте рычаг нижнего защитного кожуха **14** из полностью закрытого в полностью открытое положение.
3. Отпустите рычаг и проконтролируйте за возвращением защитного кожуха **12** в полностью закрытое положение.

Инструмент следует сдать в квалифицированный сервисный центр на обслуживание, если защитный кожух:

- не возвращается в полностью закрытое положение,
- двигается рывками, медленно, или
- контактирует с пильным диском или другими частями инструмента при каком-либо угле и глубине распила.

Пильные диски

ВНИМАНИЕ: Для минимизации риска травмирования глаз, всегда носите защитные очки. Карбид является твердым, но хрупким материалом. Посторонние предметы в заготовке наподобие проводов или гвоздей могут привести к трещинам и поломкам кончиков. Работайте с пилой, только если установлен защитный кожух соответствующего типа. Надежно устанавливайте пильный диск в правильном направлении вращения перед использованием и всегда используйте чистые и острые диски.

ВНИМАНИЕ: Не применяйте пилу для распиловки металла, пластмассы, бетона, кирпичной кладки или фиброцементных материалов.

Не используйте абразивные отрезные круги или диски. Изношенный пильный диск приводит к неэффективному распилу, перегрузке электродвигателя пилы, чрезмерному расщеплению и повышенному риску отдачи. См. таблицу ниже, чтобы определить правильный размер пильного диска на замену для пилы вашей модели.

Диаметр диска	Зубья	Применение
140 мм	24	Универсального назначения

Регулировка глубины пропила (Рис. А, Н)

1. Крепко удерживая пилу, ослабьте (по часовой стрелке) рычаг регулировки глубины пропила **4** и передвигайте основание (**5**, Рис. А), чтобы достичь необходимой глубины пропила.
2. Перед эксплуатацией пилы убедитесь, что рычаг регулировки глубины пропила затянут (против часовой стрелки).

Для наиболее высокой эффективности пиления, отрегулируйте глубину так, чтобы половина зуба диска выступал под разрезаемым материалом. Это расстояние от кончика зуба до нижней части впадины между зубьями. Установка пилы на надлежащую глубину пропила сводит

к минимуму трение пильного диска, удаляет опилки из распила, обеспечивает более холодный и быстрый распил и снижает риск возникновения отдачи. Способ проверки правильности установки глубины пропила изображен на Рисунке Н. Положите вдоль боковой стороны пильного диска кусок материала, который хотите распилить, как показано на рисунке, и посмотрите, насколько зуб выступает за пределы материала.

Регулировка угла скоса (рис. А, I)

Полный диапазон регулировки угла наклона от 0° до 50°. Квадрант градуирован с шагом 1°. На передней панели пилы находится механизм регулировки угла наклона, состоящий из калиброванного квадранта и рычага регулировки угла наклона **10**.

Настройка пилы для резки под углом

Ослабьте (против часовой стрелки) рычаг регулировки угла наклона **10** и башмак наклона (**5**, Рис. А) до желаемого угла, совместив указатель с отметкой желаемого угла. Снова плотно затяните рычаг (по часовой стрелке).

Установка и регулировка продольной направляющей (Рис. М)

Продольная направляющая **26** используется для резки параллельно кромке заготовки.

Установка

1. Ослабьте регулировочную рукоятку продольной направляющей **25**, чтобы обеспечить проход продольной направляющей.
2. Вставьте продольную направляющую **26** в основание пилы, как показано на рисунке.
3. Затяните регулировочную рукоятку продольной направляющей **25**.

Регулировка

1. Ослабьте регулировочную рукоятку продольной направляющей **25** и установите направляющую **26** на нужную ширину. Параметры регулировки показаны на шкале продольной направляющей.
2. Затяните регулировочную рукоятку продольной направляющей **25**.

Установка патрубка пылеотвода (Рис. А, Е)

Дисковая пила поставляется с патрубком пылеотвода.

Чтобы установить патрубок пылеотвода

1. Полностью ослабьте рычаг регулировки глубины пропила **4**.
2. Установите основание **5** в самое нижнее положение.
3. Вдвиньте патрубок пылеотвода **22** в верхний защитный кожух дисковой пилы и совместите с монтажными отверстиями. Зафиксируйте патрубок пылеотвода на верхнем защитном кожухе, используя два винта **24**, входящие в комплект поставки.

Подготовка к эксплуатации

- Убедитесь в том, что защитные кожухи установлены правильно. Защитный кожух пильного диска должен находиться в закрытом положении.
- Убедитесь в том, что пильный диск вращается в направлении, обозначенном стрелкой на диске.
- Не используйте крайне изношенные пильные диски.

ЭКСПЛУАТАЦИЯ

Инструкции по использованию

ВНИМАНИЕ: Всегда следуйте указаниям действующих норм и правил безопасности.

ВНИМАНИЕ: Чтобы снизить риск получения серьезной травмы, необходимо выключить инструмент и отсоединить батарею, прежде чем выполнять какую-либо регулировку либо удалять/устанавливать какие-либо насадки или дополнительные принадлежности. Случайный запуск может привести к травме.

Правильное положение рук (рис. D)

ВНИМАНИЕ: Во избежание риска получения серьезных травм, **ВСЕГДА** используйте правильное положение рук как показано на рисунке.

ВНИМАНИЕ: Во избежание риска получения серьезных травм **ВСЕГДА** крепко держите инструмент, предупреждая внезапную резкую отдачу.

При правильном расположении рук одна рука находится на основной рукоятке **23**, а другая на дополнительной рукоятке **12**.

Включение и выключение (Рис. А)

Для обеспечения безопасности курковый пусковой выключатель **2** вашего инструмента оснащен кнопкой блокировки **1**.

Нажмите кнопку блокировки для разблокирования инструмента.

Для включения инструмента нажмите на курковый пусковой выключатель **2**. После отпускания куркового пускового выключателя кнопка блокировки автоматически активируется для предотвращения случайного запуска инструмента.

ПРЕДУПРЕЖДЕНИЕ: Не включайте и не выключайте инструмент, если пильный диск прикасается к заготовке или другим материалам.

Крюк для ремня (рис. G)

(включен с некоторыми моделями)

ВНИМАНИЕ: Чтобы снизить риск получения тяжелой травмы, не используйте крюк для подвешивания инструмента на теле. **ЗАПРЕЩАЕТСЯ** использовать крюк для ремня для крепления инструмента во время эксплуатации. **НЕ ПОДВЕШИВАЙТЕ** инструмент над головой и не прицельяйте другие объекты к подвесному крюку.

ВНИМАНИЕ: Для снижения риска получения травм от падения циркулярной пилы на операторов или окружающих, убедитесь, что она надежно закреплена при использовании крючка или находится в безопасном и устойчивом месте, если не используется. Держите пространство снизу свободным, чтобы снизить риск падения материала или разрезанного материала на что-либо или кого-либо внизу.

Циркулярная пила оснащена удобным крючком **18**, который позволяет подвесить ее на подходящую, устойчивую опору в перерывах между использованием. Запрещается использовать крюк для ремня для крепления поднятого инструмента во время эксплуатации.

Рабочая подсветка (Рис. А)

ПРЕДУПРЕЖДЕНИЕ: Не направляйте свет в глаза. Это может привести к серьезным повреждениям глаз.

Подсветка **11** включается при нажатии на кнопку блокировки куркового пускового выключателя **1** и автоматически выключается через 20 секунд после того, как курковый пусковой выключатель будет отпущен. Рабочая подсветка будет, пока курковый пусковой выключатель **2** будет оставаться нажатым.

ПРИМЕЧАНИЕ: Подсветка предназначена для освещения рабочей поверхности и не может использоваться в качестве фонаря.

Опора заготовки (рис. J–L)

ВНИМАНИЕ: Для снижения риска получения серьезных травм, обеспечьте заготовке надежную опору и крепко удерживайте пилу, чтобы предотвратить потерю управления.

На рисунках W и Y показано правильное положение для распиловки. На рисунках X и Z показано небезопасное положение. Руки следует держать вдали от области распила. Для предотвращения отдачи, **ВСЕГДА** располагайте опору доски или панели РЯДОМ с распилом, (рис. W и Y). **НЕ** располагайте опору доски или панели вдали от распила, (рис. X, Z).

ВСЕГДА ИЗВЛЕКАЙТЕ АККУМУЛЯТОРНУЮ БАТАРЕЮ ПЕРЕД ВЫПОЛНЕНИЕМ КАКОЙ-ЛИБО РЕГУЛИРОВКИ! Располагайте заготовку «лицевой» стороной – той, внешний вид которой более важен – вниз. Пила пилит вверх, поэтому расщепление во время распила будет происходить на верхней стороне заготовки.

Резка (рис. L–N)

ВНИМАНИЕ: Никогда не пытайтесь использовать этот инструмент, положив его вверх ногами на рабочей поверхности и направляя материал на инструмент. Надежно закрепляйте заготовку и поднесите инструмент к заготовке, крепко держа инструмент двумя руками, как показано на рис. Y.

Располагайте широкую часть основания пилы на части заготовки с надежной опорой, а не на части, которая

отвалится после распила. Как пример, на рис. У приведен ПРАВИЛЬНЫЙ пример способа отпилить край доски. Всегда закрепляйте заготовку при помощи зажимов. Не пытайтесь удерживать короткие заготовки руками! Не забывайте обеспечивать опору свисающим и выступающим участкам материала. Будьте осторожны, выполняя распил материала снизу.

Убедитесь, что пила разоглась до полной скорости перед контактом диска с разрезаемым материалом. Запуск пилы при прилегающем к материалу или находящемся в пропилах диске может привести к отдаче. Толкайте пилу вперед на скорости, которая позволяет диску работать без перегрузки. Твердость и прочность могут различаться даже в одном куске материала, а узловые или влажные участки могут сильно увеличить нагрузку на пилу. В таком случае, толкайте пилу медленней, но достаточно твердо, чтобы продолжать работу без слишком сильного падения скорости. Приложение чрезмерного усилия к пиле может привести к грубому распилу, неточности, отдаче и перегреву электродвигателя. Если распил начинает уходить в сторону от линии, не пытайтесь вернуть его на место силой. Отпустите выключатель и позвольте диску остановиться. После этого вы можете поднять пилу, осмотреть пропил и начать новый рез слегка внутри неверного пропила. В любом случае, чтобы изменить линию пропила, вы должны сначала поднять пилу с заготовки. Попытки изменить направление внутри распила могут остановить пилу и привести к отдаче.

ПРИ ОСТАНОВЕ ПИЛЫ ОТПУСТИТЕ КУРКОВЫЙ ВЫКЛЮЧАТЕЛЬ И ПОТЯНИТЕ ПИЛУ НАЗАД, ВЫВОДЯ ДИСК ИЗ ПРОПИЛА. ПЕРЕД ПОВТОРНЫМ ЗАПУСКОМ УБЕДИТЕСЬ, ЧТО ПИЛЬНЫЙ ДИСК НАХОДИТСЯ В ПРОПИЛЕ И НЕ КАСАЕТСЯ КРАЕВ ПРОПИЛА.

Закончив рез, отпустите курковый выключатель и дождитесь полной остановки диска, прежде чем поднимать пилу с заготовки. По мере поднятия пилы пружинный телескопический защитный кожух автоматически закроется под диском. Помните, что до этого диск ничем не прикрыт. Никогда не держите руки под заготовкой по какой-либо причине. При необходимости ручного втягивания телескопического защитного кожуха (например, для начала врезного пиления) всегда используйте втягивающий рычаг.

ПРИМЕЧАНИЕ: При распиле на узкие полосы соблюдайте осторожность, чтобы мелкие отрезные части не зацепились за нижний защитный кожух.

Продольная распиловка (Рис. М)

Продольная распиловка — это процесс распиловки широких досок на более узкие вдоль волокон. При такой распиловке направление заготовки рукой представляет трудности, поэтому рекомендуется использовать направляющую DEWALT для продольной распиловки.

Врезное пиление (Рис. N)

⚠ ВНИМАНИЕ: Никогда не подвязывайте защитный кожух диска в поднятом положении. Никогда не двигайте пилу назад при врезном пилении. Это

может привести к подъему инструмента с рабочей поверхности, что может привести к травмам.

Врезное пиление выполняется в полу, стенах или других плоских поверхностях.

1. Отрегулируйте основание пилы, чтобы пильный диск резал на нужную глубину.
2. Наклоните пилу вперед и установите переднюю часть основания на разрезаемый материал.
3. Втяните нижний защитный кожух диска в верхнее положение при помощи рычага нижнего защитного кожуха. Опустите заднюю часть основания пилы на заготовку, пока зубья диска почти не коснутся линии реза.
4. Опустите защитный кожух (его контакт с заготовкой приведет его в открытое положение, как только вы начнете рез). Снимите руку с рычага нижнего защитного кожуха и крепко ухватите дополнительную рукоятку **12**, как показано на Рисунке N. Следите за положением тела и рук, чтобы эффективно противостоять воздействию отдачи.
5. Убедитесь, что пильный диск не контактирует с разрезаемой поверхностью, прежде чем запустить пилу.
6. Запустите электродвигатель и постепенно опускайте пилу, пока основание не ляжет всей плоскостью на разрезаемый материал. Двигайтесь вдоль линии распила до завершения распила.
7. Отпустите курковый пусковой выключатель и позвольте диску полностью остановиться, прежде чем извлечь его из материала.
8. При начале каждого нового распила повторяйте вышеописанный порядок действий.

Врезное пиление (Рис. N)

⚠ ВНИМАНИЕ: Никогда не подвязывайте защитный кожух диска в поднятом положении. Никогда не двигайте пилу назад при врезном пиении. Это может привести к подъему инструмента с рабочей поверхности, что может привести к травмам.

Врезное пиление выполняется в полу, стенах или других плоских поверхностях.

1. Отрегулируйте основание пилы, чтобы пильный диск резал на нужную глубину.
2. Наклоните пилу вперед и установите переднюю часть основания на разрезаемый материал.
3. Втяните нижний защитный кожух диска в верхнее положение при помощи рычага нижнего защитного кожуха. Опустите заднюю часть основания пилы на заготовку, пока зубья диска почти не коснутся линии реза.
4. Опустите защитный кожух (его контакт с заготовкой приведет его в открытое положение, как только вы начнете рез). Снимите руку с рычага нижнего защитного кожуха и крепко ухватите дополнительную рукоятку **12**, как показано на Рисунке N. Следите за положением тела и рук, чтобы эффективно противостоять воздействию отдачи.

5. Убедитесь, что пильный диск не контактирует с разрезаемой поверхностью, прежде чем запустить пилу.
6. Запустите электродвигатель и постепенно опускайте пилу, пока основание не ляжет всей плоскостью на разрезаемый материал. Двигайтесь вдоль линии распила до завершения распила.
7. Отпустите курковый пусковой выключатель и позвольте диску полностью остановиться, прежде чем извлечь его из материала.
8. При начале каждого нового распила повторяйте вышеописанный порядок действий.



Чистка



ВНИМАНИЕ: Выдувайте грязь и пыль из корпуса сухим сжатым воздухом по мере видимого скопления грязи внутри и вокруг вентиляционных отверстий. Выполняйте очистку, надев средство защиты глаз и респиратор утвержденного типа.



ВНИМАНИЕ: Никогда не используйте растворители или другие агрессивные химические средства для очистки неметаллических деталей инструмента. Эти химикаты могут ухудшить свойства материалов, примененных в данных деталях. Используйте ткань, смоченную в воде с мягким мылом. Не допускайте попадания какой-либо жидкости внутрь инструмента; ни в коем случае не погружайте какую-либо часть инструмента в жидкость.

Пылеудаление (Рис. Е, F)



ВНИМАНИЕ: Риск вдыхания пыли. Во избежание риска получения травм, **ВСЕГДА** надевайте респиратор утвержденного типа.

Патрубок пылеотвода **22** входит в комплект вашего инструмента.

Патрубок пылеотвода позволяет подключить к инструменту внешнее устройство удаления пыли с помощью системы AirLock™ (DWV9000-XJ), или стандартного 35 мм пылеуловителя.



ВНИМАНИЕ: ВСЕГДА используйте пылесос, конструкция которого соответствует действующим директивам по выбросу пыли при распиловке дерева. Всасывающие шланги большинства стандартных пылесосов совместимы с патрубком пылеотвода.

ТЕХНИЧЕСКОЕ ОБСЛУЖИВАНИЕ

Электроинструмент имеет длительный срок эксплуатации и требует минимальных затрат на техобслуживание. Для длительной безотказной работы необходимо обеспечить правильный уход за инструментом и его регулярную очистку.



ВНИМАНИЕ: Чтобы снизить риск получения серьезной травмы, необходимо выключить инструмент и отсоединить батарею, прежде чем выполнять какую-либо регулировку либо удалять/устанавливать какие-либо насадки или дополнительные принадлежности.

Случайный запуск может привести к травме.

Зарядное устройство и аккумуляторные батареи неремонтопригодны.



Смазка

Ваш электроинструмент не требует дополнительной смазки.

Нижний защитный кожух

Нижний защитный кожух должен всегда свободно вращаться и закрываться из полностью открытого в полностью закрытое положение. Всегда проверяйте правильную работу защитного кожуха перед распилом, полностью открывая кожух и давая ему закрыться. Если защитный кожух закрывается медленно или не полностью, то ему потребуется чистка или обслуживание. Не используйте пилу до тех пор, пока она не будет исправно функционировать. При чистке защитного кожуха используйте сухой воздух или мягкую щетку, чтобы очистить путь движения защитного кожуха и область вокруг его пружины от набившихся опилок или грязи. Если это не исправит проблему, то инструмент следует отправить в авторизованный сервисный центр.

НЕ ИСПОЛЬЗУЙТЕ С ДАННОЙ ПИЛОЙ ДОПОЛНИТЕЛЬНЫЕ ПРИНАДЛЕЖНОСТИ ПОДАЧИ ВОДЫ.

ВЫПОЛНЯЙТЕ ВИЗУАЛЬНЫЙ ОСМОТР КАРБИДНЫХ ДИСКОВ ПЕРЕД ИСПОЛЬЗОВАНИЕМ. ЗАМЕНЯЙТЕ ПРИ НАЛИЧИИ ПОВРЕЖДЕНИЙ.

Дополнительные принадлежности



ВНИМАНИЕ: Поскольку принадлежности, отличные от тех, которые предлагает DEWALT, не проходили тесты на данном изделии, то использование этих принадлежностей может привести к опасной ситуации. Во избежание риска получения травмы, с данным продуктом должны использоваться только рекомендованные DEWALT дополнительные принадлежности.

По вопросу приобретения дополнительных принадлежностей обращайтесь к Вашему дилеру.

Защита окружающей среды



Отдельная утилизация. Изделия и аккумуляторные батареи с данным символом на маркировке запрещается утилизировать с обычными бытовыми отходами.

Изделия и аккумуляторные батареи содержат материалы, которые могут быть извлечены или переработаны, снижая потребность в исходном сырье. Пожалуйста, утилизируйте электрические изделия и аккумуляторные батареи в соответствии с местными нормами. Дополнительная информация доступна по адресу www.2helpU.com.

Аккумуляторная батарея

Данную аккумуляторную батарею с длительным сроком эксплуатации необходимо перезаряжать, когда она перестает обеспечивать питание, необходимое для выполнения определенных работ. По окончании срока эксплуатации ее следует утилизировать, соблюдая при этом необходимые меры по защите окружающей среды:

- полностью разрядите батарею до конца и извлеките ее из инструмента.
- литий-ионные аккумуляторные батареи подлежат вторичной переработке. Сдайте их нашему дилеру или в местный центр вторичной переработки. В этих пунктах батареи будут подвергнуты повторной переработке или правильной утилизации.

Дополнительная информация:

Дату изготовления (код даты) указан на корпусе инструмента. Код даты, который так же включает год изготовления, отштампован на поверхности корпуса изделия. Пример: 2021 46 XX, где 2021 – год изготовления, 46-неделя изготовления, XX – код завода изготовителя. ТОВАР СЕРТИФИЦИРОВАН. Орган по сертификации "РОСТЕСТ- Москва", Адрес: 119049, г. Москва, улица Житная, д. 14, стр. 1; 117418, Москва, Нахимовский просп., 31 (факт.). Тел.: (499) 1292311, (495) 6682893, E-mail: office@rostest.ru Изготовитель: Изготовитель: Блэк энд Деккер Холдингс ГмбХ, Германия, 65510, Идштайн, ул. Блэк энд Деккер, 40, тел. +496126212790.

Уполномоченное изготовителем юрлицо: ООО "Стэнли Блэк энд Деккер", 117485, город Москва, улица Обручева, дом 30/1, строение 2, Телефон: + 7 (495) 258-3981, факс: + 7 (495) 258-3984, E-mail: inbox@dewalt.com. Сведения о импортере указаны в сопроводительной документации и/или на упаковке.



Приложение к руководству по эксплуатации электрооборудования для определения месяца производства по номеру текущей календарной недели года

Электрооборудование торговых марок "Dewalt", "Stanley", "Stanley FatMAX", "BLACK+DECKER".

Директивы 2014/30/EU ЕВРОПЕЙСКОГО ПАРЛАМЕНТА И СОВЕТА от 26 февраля 2014 г. "О гармонизации законодательства Государств-членов ЕС в области электромагнитной совместимости", 2006/42/ЕС ЕВРОПЕЙСКОГО ПАРЛАМЕНТА И СОВЕТА от 17 мая 2006 г. "О машинах и оборудовании"; 2014/35/EU ЕВРОПЕЙСКОГО ПАРЛАМЕНТА И СОВЕТА от 26 февраля 2014 г. "О гармонизации законодательства государств-членов в области размещения на рынке электрооборудования, предназначенного для использования в определенных пределах напряжения".
Серийный выпуск.

ТОВАР СЕРТИФИЦИРОВАН

Орган по сертификации "РОСТЕСТ- Москва", Адрес: 119049, г. Москва, улица Житная, д. 14, стр. 1; 117418, Москва, Нахимовский просп., 31 (фактический), Телефон: (499) 1292311, (495) 6682893, Факс: (495) 6682893, E-mail: office@rostest.ru

Изготовитель: Изготовитель: Блэк энд Деккер Холдингс ГмБХ, Германия, 65510, Идштайн, ул. Блэк энд Деккер, 40, тел. +496126212790.

Уполномоченное изготовителем юр.лицо:

ООО "Стэнли Блэк энд Деккер", 117485, город Москва, улица Обручева, дом 30/1, строение 2
Телефон: + 7 (495) 258-3981, Факс: + 7 (495) 258-3984, E-mail: inbox@dewalt.com

Сведения о импортере указаны в сопроводительной документации и/или на упаковке

Хранение.

Необходимо хранить в сухом месте, вдали от источников повышенных температур и воздействия солнечных лучей. При хранении необходимо избегать резкого перепада температур. Хранение без упаковки не допускается

Срок службы.

Срок службы изделия составляет 5 лет. Не рекомендуется к эксплуатации по истечении 5 лет хранения с даты изготовления без предварительной проверки.

Дата изготовления (код даты) указана на корпусе инструмента. Код даты, который также включает год изготовления, оштампован на поверхности корпуса изделия.

Пример:

2014 46 XX, где 2014 –год изготовления, 46-неделя изготовления.

Определить месяц изготовления по указанной неделе изготовления можно согласно приведенной ниже таблице.

Транспортировка.

Категорически не допускается падение и любые механические воздействия на упаковку при транспортировке.

При разгрузке/погрузке не допускается использование любого вида техники, работающей по принципу зажима упаковки.

Перечень критических отказов, возможные ошибочные действия персонала.

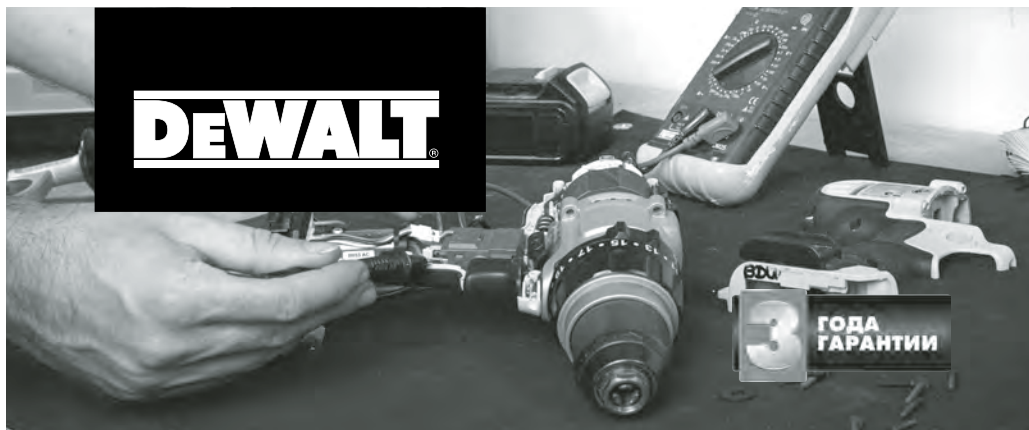
Не допускается эксплуатация изделия:

- При появлении дыма из корпуса изделия
- При поврежденном и/или оголенном сетевом кабеле
- при повреждении корпуса изделия, защитного кожуха, рукоятки
- при попадании жидкости в корпус
- при возникновении сильной вибрации
- при возникновении сильного искрения внутри корпуса

Критерии предельных состояний.

- При поврежденном и/или оголенном сетевом кабеле
- при повреждении корпуса изделия

Месяц	Январь	Февраль	Март	Апрель	Май	Июнь	Июль	Август	Сентябрь	Октябрь	Ноябрь	Декабрь	Год производства
Неделя	1	5	9	14	18	23	27	31	36	40	44	49	2018
	2	6	10	15	19	24	28	32	37	41	45	50	
	3	7	11	16	20	25	29	33	38	42	46	51	
	4	8	12	17	21	26	30	34	39	43	47	52	
Неделя			13		22			35			48		2019
	1	6	10	14	18	23	27	31	36	40	45	49	
	2	7	11	15	19	24	28	32	37	41	46	50	
	3	8	12	16	20	25	29	33	38	42	47	51	
	4	9	13	17	21	26	30	34	39	43	48	52	
Неделя					22			35		44			2020
	1	6	10	14	19	23	27	32	36	40	45	49	
	2	7	11	15	20	24	28	33	37	41	46	50	
	3	8	12	16	21	25	29	34	38	42	47	51	
	4	9	13	17	22	26	30	35	39	43	48	52	
Неделя				18			31			44			2021
	2	6	10	14	19	23	27	32	36	41	45	49	
	3	7	11	15	20	24	28	33	37	42	46	50	
	4	8	12	16	21	25	29	34	38	43	47	51	
	5	9	13	17	22	26	30	35	39	44	48	52	
Неделя							31		40			1	2022
	2	6	10	15	19	23	28	32	36	41	45	49	
	3	7	11	16	20	24	29	33	37	42	46	50	
	4	8	12	17	21	25	30	34	38	43	47	51	
	5	9	13	18	22	26	31	35	39	44	48	52	
Неделя			14			27			40			1	2022



ГАРАНТИЙНЫЕ УСЛОВИЯ

Уважаемый покупатель!

1. Поздравляем Вас с покупкой высококачественного изделия DEWALT и выражаем признательность за Ваш выбор.
2. При покупке изделия требуйте проверки его комплектности и исправности в Вашем присутствии. В комплекте с инструментом должна быть инструкция по эксплуатации и гарантийные условия производителя на русском языке. Сохраняйте на весь срок гарантии Ваш документ, удостоверяющий факт покупки изделия. Убедитесь, что в чеке указаны: фискальный номер чека, модель/наименование изделия, дата продажи и название торговой организации.
3. Во избежание недоразумений убедительно просим Вас перед началом работы с изделием внимательно ознакомиться с инструкцией по его эксплуатации. Правовой основой настоящих гарантийных условий является действующее Законодательство. Гарантийный срок на данное изделие составляет 36 месяцев и исчисляется со дня продажи. В случае устранения недостатков изделия гарантийный срок продлевается на период его нахождения в ремонте. Срок службы изделия составляет 5 лет со дня продажи.
4. В случае возникновения каких-либо проблем в процессе эксплуатации изделия рекомендуем Вам обращаться только в уполномоченные сервисные центры DEWALT, адреса и телефоны которых Вы сможете найти на сайте www.2helpU.com или узнать в магазине. Наши сервисные станции это не только квалифицированный ремонт, но и широкий ассортимент запчастей и принадлежностей.
5. Производитель рекомендует проводить периодическую проверку и техническое обслуживание изделия в уполномоченных сервисных центрах.
6. Наши гарантийные обязательства распространяются только на неисправности, выявленные в течение гарантийного срока и вызванные дефектами материалов или сборки изделия.

7. Гарантийные условия не распространяются на неисправности изделия, возникшие в результате:

7.1. Несоблюдения пользователем предписаний инструкции по эксплуатации изделия, применения изделия не по назначению, неправильного хранения, использования принадлежностей, расходных материалов и запчастей, не предусмотренных производителем.

7.2. Механического повреждения (сколы, трещины и разрушения) внутренних и внешних деталей изделия, основных и вспомогательных рукояток, сетевого электрического кабеля, вызванного внешним ударным или любым иным воздействием.

7.3. Попадания в вентиляционные отверстия и проникновение внутрь изделия посторонних предметов, материалов или веществ, не являющихся отходами, сопровождающими применение изделия по назначению, такими как: стружка, опилки, песок, и пр.

7.4. Воздействий на изделие неблагоприятных атмосферных и иных внешних факторов, таких как дождь, снег, повышенная влажность, нагрев, агрессивные среды, несоответствие параметров питающей электросети, указанных на инструменте.

7.5. Стихийного бедствия. Повреждение или утрата изделия, связанное с непредвиденными бедствиями, стихийными явлениями, в том числе вследствие действия непреодолимой силы (пожар, молния, потоп и другие природные явления), а также вследствие перепадов напряжения в электросети и другими причинами, которые находятся вне контроля производителя.

8. Гарантийные условия не распространяются:

8.1. На инструменты, подвергавшиеся вскрытию, ремонту или модификации вне уполномоченного сервисного центра.

8.2. На детали и узлы, имеющие следы естественного износа, такие как: приводные ремни и колеса, угловые щетки, смазка, подшипники, зубчатое зацепление редукторов, резиновые уплотнения, сальники, направляющие ролики, муфты сцепления, бойки, толкатели, стволы, и т.п.

8.3. На сменные и расходные части: цанги, зажимные гайки и фланцы, фильтры, ножи, шлифовальные подошвы, цепи, звездочки, пильные шины, защитные кожухи, пилки, абразивы, пильные и абразивные диски, фрезы, сверла, буры и т.п.

8.4. На неисправности, возникшие в результате перегрузки инструмента (как механической, так и электрической), повлекшей выход из строя одновременно двух и более деталей и узлов, таких как ротора и статора, обеих обмоток статора, ведомой и ведущей шестерни редуктора или других узлов и деталей. К безусловным признакам перегрузки изделия относятся, помимо прочего: появление цветов побежалости, деформация или оплавление деталей и узлов изделия, потемнение или оплавление изоляции проводов электродвигателя под воздействием высокой температуры.



**ОБЯЗАТЕЛЬНО СОХРАНИТЕ
КАССОВЫЙ ЧЕК**

Актуальную информацию об обслуживании
в интересующем вас городе вы можете узнать на сайте
service.dewalt.ru

27-03-2021



Список авторизованных сервисных центров | Удобный поиск ближайшего сервисного центра | Руководство по эксплуатации
 Технические характеристики | Список деталей и запасных частей | Схема сборки инструмента

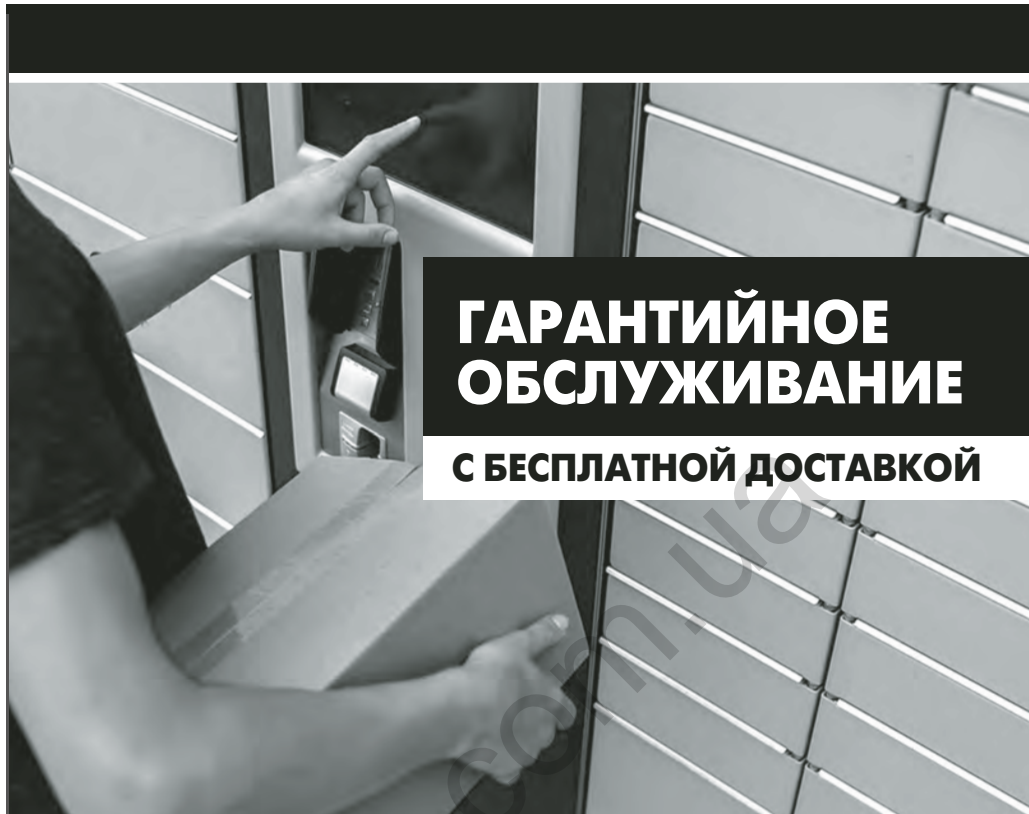


Также данную информацию вы можете получить, позвонив по телефону:

8-800-1000-876

Отметки о проведении сервисного обслуживания

№1	№2	№3	№4
№ заказа	№ заказа	№ заказа	№ заказа
Дата поступления	Дата поступления	Дата поступления	Дата поступления
Дата ремонта	Дата ремонта	Дата ремонта	Дата ремонта
Печать и подпись сервисного центра	Печать и подпись сервисного центра	Печать и подпись сервисного центра	Печать и подпись сервисного центра



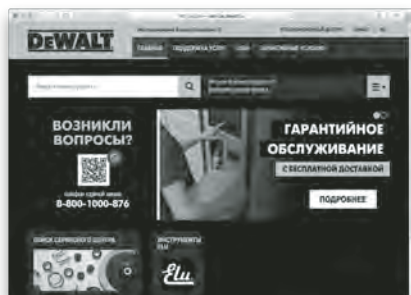
ГАРАНТИЙНОЕ ОБСЛУЖИВАНИЕ С БЕСПЛАТНОЙ ДОСТАВКОЙ

ТЕПЕРЬ ВЫ МОЖЕТЕ СДАТЬ ИНСТРУМЕНТ В СЕРВИС, ДАЖЕ ЕСЛИ ЕГО НЕТ В ВАШЕМ ГОРОДЕ

КАК ВОСПОЛЬЗОВАТЬСЯ УСЛУГОЙ

Скачать/распечатать
инструкцию
с сайта

service.dewalt.ru



телефон горячей линии

8-800-1000-876



ПОДАРОК ЗА ОТЗЫВ*

- 1 Зарегистрируйся на my.dewalt.ru
- 2 Напиши отзыв о покупке
- 3 Получи фирменную кепку



*Акция проводится на территории Российской Федерации, подробные условия акции указаны на my.dewalt.ru

телефон горячей линии

8-800-1000-876

ДИСКОВА ПИЛКА

DCS512

Вітаємо вас!

Ви обрали інструмент виробництва компанії DEWALT. Ретельна розробка продукції, багаторічний досвід фірми у виробництві інструментів, різні вдосконалення, все це зробило інструменти DEWALT є одними із найнадійніших помічників для тих, хто використовує електричні інструменти у своїй професії.

Технічні дані

		DCS512 XI, GB, QW, XE
Напруга	$V_{\text{пост. струму}}$	12
Тип		1
Тип батареї		Літій-іонна
Швидкість без навантаження	об/хв	3600
Діаметр пильного диска	мм	140
Мінімальна глибина розрізу	мм	47
Діаметр отвору диска	мм	20
Регулювання кута нахилу		50°
Маса (без акумулятора)	кг	2,2

Значення рівня шуму та/або вібрації (векторна сума трьох векторів) відповідно до стандарту EN62841-2-5:

L_{PA} (рівень тиску звукового випромінювання)	дБ(A)	89
L_{WA} (рівень звукової потужності)	дБ(A)	100
K (похибка для даного рівня звукового тиску)	дБ(A)	4

Значення емісії вібрації $a_{h, wB} =$	m/s^2	2,5
Похибка K =	m/s^2	1,5

Значення вібрації та/або шуму, наведене в цьому документі, було виміряне згідно зі стандартизованим тестом, викладеним в EN62841 та може використовуватись для порівняння інструментів. Це значення вібрації можна також використовувати для попередньої оцінки впливу вібрації.

⚠ ПОПЕРЕДЖЕННЯ: Заявлене значення вібрації та/або шуму відповідає вимогам цільового використання інструмента. Однак якщо інструмент використовується для виконання інших завдань, або з іншими витратними матеріалами/насадками, або не обслуговується належним чином, значення вібрації та/або шуму може відхилитися. Це може значно збільшити рівень впливу протягом усього періоду роботи.

Оцінка рівня впливу вібрації та/або шуму має враховувати час, протягом якого інструмент є ввімкненим, а також час, протягом якого він є

ввімкненим, але не використовується. Це може значно зменшити рівень впливу протягом усього періоду роботи.

Визначення додаткових заходів безпеки для захисту оператора від впливу вібрації та/або шуму: технічне обслуговування інструмента та приладдя, утримання рук у теплі (має значення для вібрації), організація режиму роботи.

Декларація про відповідність ЄС ДИРЕКТИВА ДЛЯ МЕХАНІЧНОГО ОБЛАДНАННЯ



Диска пилка 115 мм DCS512

DEWALT заявляє, що ці продукти, описані в розділі **Технічні дані**, відповідають наступним вимогам: 2006/42/EC, EN62841-1:2015, EN62841-2-5:2014.

Ці продукти також відповідають вимогам Директив 2014/30/EU та 2011/65/EU. Для отримання додаткової інформації, будь ласка, звертайтеся до компанії DEWALT за зазначеною нижче адресою або на зворотному боці цього посібника.

Нижчепідписаний несе відповідальність за упорядкування файлу технічних характеристик та робить цю заяву від імені компанії DEWALT.

Маркус Ромпель

Віце-президент з інженерно-технічного забезпечення,
PTE-Europe
DEWALT, Richard-Klinger-Straße 11,
65510, Idstein, Німеччина
07.05.2021



ПОПЕРЕДЖЕННЯ: Уважно прочитайте керівництво за експлуатації для зниження ризику отримання травм.

Позначення: інструкції з техніки безпеки

Умовні позначення, наведені нижче, описують рівень важливості кожної попереджувальної вказівки. Прочитайте керівництво за експлуатації та зверніть увагу на символи, наведені нижче.



НЕБЕЗПЕЧНО: Указує на безпосередню загрозу, яка, якщо її не уникнути, призведе до смерті або серйозної травми.



ПОПЕРЕДЖЕННЯ: Вказує на потенційну загрозу, ігнорування якої може призвести до смерті або серйозної травми.

Батареї				Зарядні пристрої/час зарядки (у хвиликах)								
Кат. №	V _{oc}	Ah	Маса kg	DCB104	DCB107	DCB110	DCB112	DCB113	DCB115	DCB116	DCB132	DCB119
DCB122	12	2,0	0,22	30	90	90	60	50	30	30	30	60
DCB124/G	12	3,0	0,25	45	140	140	90	70	45	45	45	90
DCB125	12	1,3	0,20	22	60	60	40	30	22	22	22	40
DCB126/G	12	5,0	0,46	75	240	240	150	120	75	75	75	150
DCB127	12	2,0	0,22	30	90	90	60	50	30	30	30	60



УВАГА: Вказує на потенційну загрозу, ігнорування якої може призвести до **травми легкої або середньої тяжкості**.

ПРИМІТКА: Вказує на ситуацію, **не пов'язану з особою травмою**, ігнорування цієї ситуації може призвести до **пошкодження майна**.



Вказує на ризик ураження електричним струмом.



Вказує на ризик виникнення пожежі.

ЗАГАЛЬНІ ПРАВИЛА БЕЗПЕКИ ПРИ ЕКСПЛУАТАЦІЇ ЕЛЕКТРИЧНОГО ІНСТРУМЕНТА



ПОПЕРЕДЖЕННЯ: Ознайомтеся з усіма попередженнями, інструкціями з техніки безпеки, зображеннями та специфікаціями, які поставляються з даним електричним інструментом. Невиконання нижченаведених інструкцій може призвести до ураження електричним струмом, пожежі та/або серйозних тілесних ушкоджень.

ЗБЕРІГАЙТЕ ВСІ ПОПЕРЕДЖЕННЯ ТА ІНСТРУКЦІЇ ДЛЯ ПОДАЛЬШОГО ВИКОРИСТАННЯ

Термін «електричний інструмент» в усіх попередженнях стосується використовуваних вами інструментів, що живляться від мережі енергопостачання (з електричним кабелем) або від акумуляторів (без кабелю).

1) Безпека робочої зони

- Робоча зона завжди має бути чистою та добре освітленою.** Захаращена або темна робоча зона призводить до нещасних випадків.
- Не використовуйте електричні інструменти у вибухонебезпечній атмосфері, наприклад поруч із вогненебезпечними рідинами, газами та пилом.** Електричні інструменти створюють іскри, що можуть запалити пил або пару.
- Тримайте дітей та сторонніх подалі під час використання інструмента.** Відвернення уваги може призвести до втрати контролю.

2) Електрична безпека

- Вилка електричного інструмента повинна відповідати розетці. Ніколи жодним чином не змінюйте вилку. Не використовуйте адаптери з замкнутими на землю (заземленими)**

електричними інструментами. Немодифіковані вилки та розетки, що підходять до них, зменшують ризик ураження електричним струмом.

- Уникайте контакту тіла з заземленими поверхнями, такими як труби, радіатори, плити та холодильники.** Якщо ваше тіло заземлене, збільшується ризик ураження електричним струмом.
- Не залишайте електричні інструменти під дощем або в умовах підвищеної вологості.** Вода, що потрапляє в електричний інструмент, підвищує ризик ураження електричним струмом.
- Не використовуйте кабель живлення не за призначенням. Ніколи не переносьте, не тягніть та не відключайте електричний інструмент від розетки живлення за допомогою шнура.** Тримайте шнур подалі від високих температур, мастила, гострих предметів та рухомих деталей. Пошкоджені або перекручені шнури підвищують ризик ураження електричним струмом.
- При використанні електричного інструмента на вулиці, використовуйте подовжувальний шнур, що підходить для використання на вулиці.** Використання шнура, що призначений для використання поза приміщенням, знижує ризик ураження електричним струмом.
- Якщо неможливо уникнути використання електричного інструмента в умовах підвищеної вологості, використовуйте живлення, захищене пристроєм залишкового струму (RCD).** Використання RCD знижує ризик ураження електричним струмом.

3) Особиста безпека

- Будьте в стані готовності, дивіться, що ви робите, та будьте розсудливі, працюючи з електричним інструментом. Не використовуйте електричний інструмент, коли ви втомлені або знаходитесь під впливом наркотичних речовин, алкоголю або ліків.** Втрата уваги під час роботи з електричними інструментами може призвести до серйозних травм.
- Використовуйте особисті засоби безпеки. Завжди використовуйте засоби захисту очей.** Засоби безпеки, такі як протипилова маска, неслизькі безпечні черевики, захисний шолом та

засоби захисту слухового апарату при використанні для відповідних умов зменшують імовірність особистих травм.

- c) **Уникайте випадкового запуску. Переконайтесь в тому, що вимикач знаходиться в позиції Вимк., перш ніж підключати інструмент до джерела живлення та/або акумулятора, переміщувати або переносити.** Може статися нещасний випадок, коли ви переносите інструмент, тримаючи палець на вимикачі, або підключаєте живлення до вимикача в позиції Увімк.
- d) **Зніміть усі ключі для регулювання або гайкові ключі, перш ніж вмикати електричний інструмент.** Гайковий ключ, що залишився прикріпленим до якоїсь деталі електричного пристрою, що обертається, може призвести до травм.
- e) **Не прикладайте надмірного зусилля. Завжди утримуйте правильну постановку ніг і рівновагу.** Це дає вам змогу краще контролювати інструмент в неочікуваних ситуаціях.
- f) **Одягайтеся відповідним чином. Не вдягайте вільний одяг або прикраси. Тримайте ваше волосся та одяг подалі від рухомих деталей.** Вільний одяг, прикраси або довге волосся можуть зачепитися за рухомі деталі.
- g) **Якщо передбачені пристрої для підключення до засобів виділення та збирання пилу, переконайтесь, що вони правильно підключені та використовуються.** Використання таких пристроїв зменшує ризик виникнення небезпечних ситуацій, що пов'язані з потраплянням пилу.
- h) **Навіть якщо ви добре знаєте інструмент та часто його використовуйте, не розслабляйтесь та не забувайте про принципи техніки безпеки.** Необережні дії можуть за долю секунди призвести до важких тілесних ушкоджень.

4) Використання електричного інструмента та догляд за ним

- a) **Не прикладайте надмірних зусиль під час роботи з інструментом. Використовуйте електричний інструмент, який відповідає завданню, що виконується.** Правильно обраний інструмент виконає завдання краще та безпечніше за умов, для яких він був розроблений.
- b) **Не використовуйте інструмент, якщо його неможливо ввімкнути та вимкнути за допомогою вимикача.** Будь-який електричний інструмент, яким неможливо керувати за допомогою вимикача, є небезпечним і має бути відремонтований.
- c) **Якщо вилка знімна, відключіть її від джерела живлення та/або вийміть акумулятор, перш ніж виконувати будь-які налаштування, змінювати додаткове обладнання або зберігати інструмент.** Ці профілактичні

заходи зменшують ризик випадкового запуску електричного інструмента.

- d) **Зберігайте вимкнені електричні інструменти в недоступному для дітей місці та не дозволяйте особам, що не знайомі з електричним інструментом або цими інструкціями, використовувати електричний інструмент.** Електричні інструменти є небезпечними, якщо вони використовуються некваліфікованими користувачами.
- e) **Технічне обслуговування електричних інструментів та приладдя. Перевіряйте неспівівність, заїдання рухомих деталей, наявність пошкоджених частин та інших факторів, які можуть впливати на роботу електричного інструмента. Якщо є пошкодження, відремонтуйте електричний інструмент перед використанням.** Нещасні випадки часто є результатом того, що інструмент не пройшов відповідного технічного обслуговування.
- f) **Різальні інструменти мають бути гострими та чистими.** Правильно доглянуті різальні інструменти з гострими різальними крошками мають меншу імовірність заїдання, та ними легше керувати.
- g) **Використовуйте електричний інструмент, додаткові інструменти та деталі інструменту тощо у відповідності до цих інструкцій та відповідно до даного типу електричних інструментів, зважаючи на умови використання та роботу, яка має бути виконана.** Використання електричних інструментів не за призначенням може призвести до виникнення небезпечних ситуацій.
- h) **Всі ручки та поверхні для тримання інструмента мають бути сухими, без залишків мастила.** Слизькі ручки та поверхні для тримання не дозволяють безпечно працювати та контролювати інструмент у неочікуваних ситуаціях.

5) Використання та догляд за інструментом, що живиться від акумулятора

- a) **Заряджайте інструмент лише за допомогою зарядного пристрою, вказаного виробником.** Зарядний пристрій, що підходить до одного типу акумуляторів, може призвести до пожежі в разі використання з іншим акумулятором.
- b) **Використовуйте електричні інструменти лише за призначеннями для них акумуляторами.** Використання інших акумуляторів може призвести до травм або пожежі.
- c) **Коли акумулятор не використовуються, зберігайте їх подалі від металевих предметів, як скріпки, монети, ключі, цвяхи, гвинти або інші невеликі предмети, що можуть призвести до замикання двох контактів.** Коротке замикання клем акумулятора може призвести до вибуху або пожежі.

- d) **За невідповідних умов використання рідина може витікати з акумулятора; уникайте контакту з цією рідиною. Якщо контакт таки стався, промийте забруднену ділянку водою. Якщо рідина потрапила в очі, промийте водою та зверніться до лікаря.** Рідина, що витікає з акумулятора, може призвести до подразнень та опіків.
- e) **Не використовуйте пошкоджений або модифікований акумулятор або інструмент.** Пошкоджені або модифіковані акумулятори можуть поводити себе непередбачуваним чином, призводячи до пожежі, вибуху або тілесним ушкодженням.
- f) **Не надавайте акумулятор та інструмент дії вогню та надмірних температур.** Дія вогню або температури вище 130 °C може спричинити вибух.
- g) Виконуйте всі інструкції щодо зарядки; **заряджайте акумулятор та інструмент тільки в межах температурного діапазону, вказаного в інструкціях.** Неналежна зарядка або зарядка поза межами вказаного температурного діапазону може пошкодити акумулятор та підвищити ризик пожежі.
- e) **Тримайте інструмент за ізольовану поверхню при виконанні операцій, коли ріжучі приладдя можуть торкнутися схованої проводки.** У разі контакту різальних елементів з дротом під напругою може з'явитися напруга в металевих деталях інструмента, що може призвести до ураження оператора електричним струмом.
- f) **Під час поздовжнього розпилювання використовуйте поздовжній шаблон або напрямну кромку.** Це дасть можливість підвищити точність розрізу та зменшити можливість заїдання диска.
- g) **Завжди використовуйте пильні диски відповідного розміру та з правильною формою отворів оправлення (ромбоподібні або круглі).** Пильні диски, що не відповідають кріпильним пристосуванням пили, обертатимуться несиметрично відносно центру, що може призвести до втрати контролю.
- h) **Ніколи не використовуйте пошкоджені або невідповідні шайби та болти для кріплення пильного диска.** Шайби та болти пильного диска були розроблені спеціально для вашої пилки для оптимальної та безпечної роботи.

6) Обслуговування

- a) **Надавайте ваш електричний інструмент для обслуговування кваліфікованим спеціалістом з ремонту та використовуйте тільки ідентичні замінні деталі.** Це забезпечить безпеку електричного пристрою.
- b) **Ніколи не обслуговуйте пошкоджені акумулятори самостійно.** Обслуговування акумуляторів мають виконувати представники виробника або працівники офіційного сервісного центру.

Інструкції з техніки безпеки для всіх пилок

Процедури різання

- a) **▲ НЕБЕЗПЕЧНО! Тримайте руки подалі від зони різання та пильного диска. Тримайте другу руку на додатковій ручці або корпусі електродвигуна.** Якщо обидві руки тримають пилку, ви не поріжете диск.
- b) **Не підставляйте руку під заготовку.** Захисний кожух не зможе захистити ваші руки від диска, якщо вони знаходяться під заготовкою.
- c) **Налаштуйте глибину розрізу відповідно до товщини заготовки.** Необхідно, щоб частина зубця диска, яка виступає з-під заготовки, була меншою за його повну висоту.
- d) **Ніколи не тримайте заготовку в руках або на нозі під час різання. Закріпіть заготовку на стійкій платформі.** Необхідно добре закріпити заготовку, щоб звести до мінімуму можливість контакту з тілом, заїдання леза або втрати контролю.

ДОДАТКОВІ ІНСТРУКЦІЇ З ТЕХНІКИ БЕЗПЕКИ ДЛЯ ВСІХ ПИЛОК

Причини віддачі та відповідні попередження

- Віддача – це раптова реакція на затискання, заклинювання або розрегулювання пильного диска, що спричиняє рух неконтрольованої пилки взору в напрямку від заготовки до оператора;
- Якщо пильний диск заїло або заклинило під час розрізання, він зупиняється, а електродвигун спричиняє швидкий рух пристрою назад на оператора;
- Якщо пильний диск викривлюється або займає неправильне положення в розрізі, зубці на задньому кінці диска можуть вийти з пропила на поверхню заготовки, що призведе до підстрибування пильного диска в напрямку до оператора.

Віддача є результатом неввігнутого використання та/або некоректної роботи або невідповідних умов роботи, яких можна уникнути, уживаючи відповідних заходів, наведених нижче:

- a) **Тримайте пилку міцно обома руками та розташуйте руки так, щоб можна було створити опір силам віддачі. Розташуйте тіло з одного боку диска, але не на одній лінії з диском.** Віддача може призвести до відстрибування пилки назад, але сили віддачі можуть бути під контролем оператора, якщо будуть вжиті відповідні заходи.
- b) **Якщо пильний диск затиснений або необхідно перервати розпилювання за якоїсь причини,**

відпустіть вмикач та утримуйте ножівку нерухомо, доки пильний диск повністю не зупиниться. Ніколи не намагайтесь витягнути пилку з пропилу або потягти на себе, коли пильний диск рухається, тому що може виникнути віддача. Проаналізуйте та вживайте необхідних заходів для уникнення затиснення диска.

- c) **Під час поновлення розпилювання заготовки вирівняйте пильний диск у пропили та переконайтеся в тому, що зубці не входять у зчеплення з матеріалом.** Якщо пильний диск затиснений, він може піднятися та може виникнути віддача під час поновлення роботи пилки.
- d) **Закріплюйте великі панелі для зменшення ризику затиснення диска та віддачі. Великі панелі можуть прогинатися під власною вагою.** Опори необхідно розташувати під панеллю з обох боків, біля лінії розтину та біля краю панелі.
- e) **Не використовуйте тупі та пошкоджені пильні диски.** Незагострені та неввірно встановлені пильні диски утворюють вузький пропил, що призводить до надмірного тертя, затиснення диска та віддачі.
- f) **Перед розпилюванням необхідно міцно та надійно зафіксувати стопорні важелі глибини розрізання та кута нахилу диска.** Якщо налаштування пильного полотна зсуваються під час розпилювання, може виникнути затиснення або віддача.
- g) **Будьте особливо уважні при виконанні розрізів несучих стін або інших місць, де не видно, що знаходиться під поверхнею.** Пильний диск може натрапити на предмет, що спричинить віддачу.

Додаткові інструкції з техніки безпеки для дискових пилок

- **Використовуйте засоби захисту слуху.** Шум може викликати втрату слуху.
- **Використовуйте респіратор.** Вплив пилових частинок може призвести до утруднення дихання та можливості травм.
- **Не використовуйте пильні диски більшого або меншого діаметру, ніж рекомендовано.** Щоб дізнатися, який диск вам потрібен, зверніться до технічних даних. Використовуйте лише диски, що вказані в цьому посібнику та відповідають стандарту EN847-1.
- **Ніколи не використовуйте абразивні ріжучі колеса.**
- **Не використовуйте насадки з подачею води.**
- **Використовуйте затискач або інший спосіб закріплення деталі, що оброблюється, на стабільній платформі.** Утримування деталі в руці та притискання її до тіла робить її нестабільною та може призвести до втрати контролю.

- **Використовуйте лише пильні диски, швидкість яких дорівнює або перевищує швидкість, зазначену на інструменті.**
- **Уникайте перегріву ріжучої кромки диска.**
- **Перед використанням вставте пилку в порт для видалення пилу.**

Залишкові ризики

Дотримання всіх правил техніки безпеки та застосування пристроїв безпеки не гарантує уникнення певних залишкових ризиків. До такого переліку належать:

- *Порушення слуху.*
- *Ризик тілесних ушкоджень через частинки, які розлітаються.*
- *Ризик опіків через нагрівання приладдя під час роботи.*
- *Ризик тілесних ушкоджень через занадто тривале використання.*

ЗБЕРІГАЙТЕ ЦІ ІНСТРУКЦІЇ

Зарядні пристрої

DeWALT не вимагають налаштувань і розроблені для максимально простого використання.

Електрична безпека

Електричний двигун розроблений для роботи лише з одним значенням напруги. Завжди перевіряйте, що напруга акумулятора відповідає напрузі, що вказана в технічних даних. Також переконайтесь, що напруга зарядного пристрою відповідає напрузі мережі живлення.

Ваш DeWALT Ваш зарядний пристрій виробництва компанії DeWALT має подвійну ізоляцію відповідно до EN60335; тому заземлення не є необхідним.



Якщо кабель живлення пошкоджений, його необхідно замінити на спеціальний кабель, який можна замовити в офіційних сервісних центрах DeWALT. організація обслуговування.

Використання електричного подовжувача

Використовуйте подовжувальний шнур лише за абсолютної необхідності. Використовуйте лише рекомендований подовжувальний шнур, що відповідає споживаній потужності вашого зарядного пристрою (див. **Технічні дані**). Мінімальний розмір січення провідника становить 1 мм²; максимальна довжина — 30 м.

При використанні кабельного барабану завжди витягуйте весь кабель.

Важливі інструкції з техніки безпеки для всіх зарядних пристроїв

ЗБЕРІГАЙТЕ ЦІ ІНСТРУКЦІЇ: У цьому керівництві містяться важливі інструкції з техніки безпеки та використання для сумісних зарядних пристроїв (див. «**Технічні дані**»).

- *Перед використанням зарядного пристрою прочитайте всі інструкції та попередження на зарядному пристрої, акумуляторах та продукті, для якого ці акумулятори використовуються.*

ПОПЕРЕДЖЕННЯ: Небезпека ураження електричним струмом. Не допускайте потрапляння рідини в зарядний пристрій. Це може призвести до ураження електричним струмом.

ПОПЕРЕДЖЕННЯ: Ми рекомендуємо використовувати пристрій з керуванням диференційним струмом з номінальним значенням диференційного струму 30 мА або менше.

УВАГА: Небезпека опіку. Для зниження ризику виникнення травм заряджайте лише акумулятори DEWALT, акумуляторні батареї. Інші типи акумуляторів можуть вибухнути, спричинивши тілесні ушкодження та пошкодження майна.

УВАГА: Уважно слідкуйте за тим, щоб діти не гралися з пристроєм.

ПРИМІТКА: За певних умов, коли зарядний пристрій підключений до мережі живлення, незахищені контакти всередині зарядного пристрою можуть замкнутися будь-яким стороннім предметом. Сторонні предмети, що проводять струм, наприклад металева стружка, алюмінієва фольга або будь-які металеві деталі, необхідно зберігати подалі від зарядного пристрою. Завжди відключайте зарядний пристрій від розетки, коли батарея не встановлена в зарядний пристрій. Відключіть зарядний пристрій від мережі живлення перед його очищенням

- **НЕ намагайтеся заряджати акумулятор зарядними пристроями, що не вказані в цьому керівництві.** Зарядний пристрій та акумулятори даної моделі розроблені для сумісної експлуатації.
- **Ці зарядні пристрої не призначені ні для чого іншого, крім зарядки акумуляторів DEWALT акумуляторні батареї.** Використання з іншими акумуляторами може призвести до виникнення пожежі або ураження електричним струмом.
- **Не надавайте зарядний пристрій впливу дощу або снігу.**
- **При відключенні зарядного пристрою від мережі живлення тягніть за вилку, а не за кабель.** Це зменшить ризик пошкодження вилки та кабелю.
- **Переконайтесь, що кабель розміщений так, щоб на нього не наступали, не ходили по ньому та не надавали його іншим фізичним впливам.**
- **Не використовуйте подовжувальний шнур окрім випадків, коли це абсолютно необхідно.** Використання невідповідних подовжувальних шнурів може призвести до пожежі або ураження електричним струмом.
- **Не кладіть будь-які предмети на зарядний пристрій та не залишайте зарядний пристрій на м'якій поверхні, що може заблокувати вентиляційні отвори та призвести до надмірного нагрівання.** Розташуйте зарядний пристрій подалі від джерел тепла. Зарядний пристрій вентилюється крізь отвори у верхній та нижній частинах корпусу.

- **Не використовуйте зарядний пристрій із пошкодженом кабелем або вилкою** — їх потрібно негайно замінити.
- **Не використовуйте зарядний пристрій, якщо той отримав різкий удар, впав або був пошкоджений іншим чином.** Віднесіть його до авторизованого сервісного центру.
- **Якщо зарядний пристрій вимагає технічного обслуговування або ремонту, не розбирайте його самотужки, а віднесіть до авторизованого сервісного центру.** Невідповідні способи використання можуть призвести до виникнення пожежі або ураження електричним струмом.
- Якщо кабель живлення пошкоджено, для уникнення небезпеки його необхідно негайно замінити, звернувшись до виробника, спеціаліста сервісного центру або іншого кваліфікованого спеціаліста.
- **Відключайте зарядний пристрій від розетки перед його очищенням. Це дозволяє знизити ризик ураження електричним струмом.** Видалення акумулятора не зніжує ризик.
- **НИКОЛИ не намагайтесь з'єднувати два зарядні пристрої.**
- **Цей зарядний пристрій розрахований на роботу зі стандартною напругою побутової електромережі 230 В. Не намагайтесь використовувати його з іншою напругою.** Це не стосується автомобільних зарядних пристроїв.







Зарядка акумулятора (Рис. [Fig.] B)

1. Підключіть зарядний пристрій до відповідної розетки перед встановленням акумулятора.
2. Вставте акумулятор **3** у зарядний пристрій до упору. Червоний індикатор («зарядка») буде блимати, вказуючи на початок процесу зарядки.
3. Коли зарядку завершено, червоний індикатор горить, не блимаючи. Це означає, що акумулятор повністю заряджений та може використовуватися одразу або залишатися в зарядному пристрої. Щоб витягнути акумулятор із зарядного пристрою, натисніть кнопку деблокування **13** на акумуляторі.

ПРИМІТКА: щоб забезпечити максимальну продуктивність та тривалість роботи літій-іонного акумулятора, повністю зарядіть його перед першим використанням.

Робота зарядного пристрою

Нижче описані індикатори стану зарядки акумулятора.

Індикатори зарядки	
 Заряджається	
 Повністю заряджений	
 Затримка через надмірно високу/низьку температуру акумулятора*	

*Червоний індикатор буде продовжувати миготіти, а жовтий індикатор буде горіти під час виконання цього завдання.

Коли акумулятор досягне прийнятної температури, жовтий індикатор згасне, а зарядний пристрій відновить процес зарядки.

Сумісний зарядний пристрій не буде заряджати несправний акумулятор. Зарядний пристрій розпізнає несправну батарею та не ввімкне світловий індикатор.

ПРИМІТКА: Це також може свідчити про проблему з зарядним пристроєм.

Якщо виявлено проблему із зарядним пристроєм, віднесіть зарядний пристрій та акумулятор для перевірки в авторизований сервісний центр.

Затримка через надмірно високу/низьку температуру акумулятора

Якщо зарядний пристрій визначає, що акумулятор є надмірно гарячим або холодним, він автоматично вмикає режим температурної затримки, припиняючи процес зарядки, доки акумулятор не досягне відповідної температури. Після досягнення прийнятної температури зарядний пристрій автоматично перемикається в режим зарядки акумулятора. Ця функція забезпечує максимальний термін служби акумулятора.

Холодний акумулятор буде заряджатися повільніше порівняно з теплим акумулятором. Такий акумулятор буде заряджатися повільніше протягом всього циклу зарядки та не повернеться до максимального значення зарядки, навіть якщо нагріється.

Зарядний пристрій DCB118 оснащений внутрішнім вентилятором, призначеним для охолодження акумулятора. Вентилятор автоматично вмикається, коли акумулятор потребує охолодження. Ніколи не використовуйте зарядний пристрій, якщо вентилятор працює неналежним чином або вентиляційні отвори заблоковані. Уникайте потрапляння сторонніх предметів усередину зарядного пристрою.

Електронна система захисту

Інструменти з літій-іонними акумуляторами XR розроблені з використанням електронної системи захисту, яка захищає акумулятор від перевантаження, перегрівання або глибокої розрядки.

Пристрій автоматично вимикається, якщо спрацює електронна система захисту. Якщо це сталося, встановіть літій-іонний акумулятор в зарядний пристрій до повної зарядки.

Кріплення на стіну

Ці зарядні пристрої можна закріпити на стіні, чи поставити на стіл або іншу робочу поверхню. При кріпленні на стіну розташуйте зарядний пристрій недалеко від електричної розетки, а також подалі від кутів та інших перешкод, що заважають повітряному потоку. Скористайтеся задньою частиною зарядного пристрою в якості шаблону для розташування кріпильних гвинтів на стіні. Надійно зафіксуйте зарядний пристрій за допомогою шурупів (потрібно придбати окремо) довжиною приблизно 25,4 мм з голівкою діаметром 7–9 мм, що закручуються в дерев'яну поверхню

до оптимальної глибини, щоб залишилося приблизно 5,5 мм. Виривайте отвори на задній поверхні зарядного пристрою з виступаючими шурупами, після чого повністю вставте шурупи в отвори.

Інструкції з очищення зарядного пристрою



ПОПЕРЕДЖЕННЯ: Небезпека ураження електричним струмом. Відключіть зарядний пристрій від розетки змінного струму перед його очищенням. Бруд та жир можна видалити з поверхні зарядного пристрою за допомогою ганчірки або м'якої неметалевої щітки. Не використовуйте воду та мийні розчини. Не дозволяйте рідині потрапляти всередину інструмента та ніколи не занурюйте деталі інструмента в рідину.

Акумулятор

Важливі інструкції з техніки безпеки для різних типів акумуляторів

При замовленні змінних акумуляторів не забудьте вказати номер за каталогом та напругу.

Новий акумулятор заряджений не повністю. Перед використанням акумулятора та зарядного пристрою прочитайте всі нижче наведені інструкції з техніки безпеки. Після цього виконайте всі вказані пункти процедури зарядки.

ПРОЧИТАЙТЕ ВСІ ІНСТРУКЦІЇ

- **Не заряджайте та не використовуйте акумулятор у вибухонебезпечних умовах, наприклад в присутності легкозаймистих рідин, газів або пилу.** Під час встановлення або виїмання батареї з зарядного пристрою може спалахнути пил або пара.
- **На прикладайте зусилля, вставляючи акумулятор в зарядний пристрій. Жодним чином не модифікуйте акумулятор, аби встановити його в несумісний зарядний пристрій, адже акумулятор може розірватися та спричинити серйозні травми.**
- Використовуйте тільки зарядні пристрої DEWALT для зарядження акумуляторів.
- **НЕ занурюйте акумулятор у воду та інші рідини та не бризкайте на нього.**
- **Не зберігайте та не використовуйте інструмент та акумулятор у місцях, де температура може сягати або перевищувати 40 °C (104 °F) (наприклад, біля гаражів або металевих будівель влітку).**
- **Не спалюйте акумулятор, навіть якщо він сильно пошкоджений або повністю зношений.** Акумулятор може вибухнути у вогні. Коли літій-іонні акумулятори горять, утворюються токсичні випаровування та речовини.
- **Якщо вміст акумулятора потрапив на шкіру, негайно промийте це місце м'яким милом та водою.** Якщо рідина з акумулятора потрапила в очі, промийте відкрите око протягом 15 хвилин або доки подразнення не зникне. Якщо необхідно звернутися до

лікаря, акумуляторний електроліт складається з суміші рідких органічних вуглекислих солей та солей літію.

- **Вміст відкритого акумулятора може спричинити подразнення дихальних шляхів.** Видіть на свіже повітря. Якщо симптоми не зникнуть, зверніться до лікаря.



ПОПЕРЕДЖЕННЯ: Небезпека опіку. Рідина з акумулятора може спалахнути, якщо на неї потрапить іскра або полум'я.



ПОПЕРЕДЖЕННЯ: За жодних умов не намагайтесь відкрити акумулятор. За будь-якого пошкодження акумулятора не встановлюйте його у зарядний пристрій. Не бийте, не кидайте та не пошкоджуйте акумулятор. Не використовуйте акумулятор та зарядний пристрій, якщо ті отримали різкий удар, впади або були пошкоджені іншим чином (наприклад, були проколоті цвяхом, вдарені молотком, на них наступили). Це може призвести до ураження електричним струмом. Пошкоджені акумулятори необхідно повернути до сервісного центру ля переробки.



ПОПЕРЕДЖЕННЯ: Небезпека виникнення пожежі. Зберігайте та переносьте акумулятор так, щоб металеві предмети не торкалися його відкритих контактів. Наприклад, не кладіть акумулятор у фартух, кишені, ящики з інструментами, коробки з наборами приладдя, шухляди тощо, де можуть бути цвяхи, гвинти, ключі тощо.



УВАГА: Коли інструмент не використовується, залишайте його на боці на стабільній поверхні в такому місці, де через нього не можна перепечатися та впасти. Деякі інструменти з великими акумуляторами можуть стояти на батареї, але їх можна легко перекунути.

Транспортування



ПОПЕРЕДЖЕННЯ: Небезпека виникнення пожежі. Під час перевезення акумуляторів може виникнути пожежа, якщо контакти акумулятора випадково ввійдуть в контакт з електропровідним матеріалом. Під час перевезення акумуляторів переконайтесь, що їхні контакти захищені та добре ізольовані від матеріалів, які можуть увійти з ними в контакт та викликати коротке замикання.

ПРИМІТКА: При перевезенні літій-іонних акумуляторів не можна здавати їх в багаж.

Акумулятори DEWALT відповідають всім нормам перевезення, описаним у галузевих та законодавчих положеннях, включно з рекомендаціями ООН про перевезення небезпечних вантажів, правилами перевезення небезпечних вантажів Міжнародної організації повітряного транспорту (IATA), міжнародними правилами перевезення небезпечних вантажів водним транспортом (IMDG) та Європейській угоді про міжнародне дорожнє перевезення небезпечних вантажів (ADR). Літій-іонні елементи живлення та акумулятори були перевірені відповідно до розділу

38.3 керівництва з тестів та критеріїв щодо перевезення небезпечних вантажів Рекомендацій ООН.

У більшості випадків перевезення акумуляторів DEWALT може бути класифіковано як перевезення небезпечних речовин, що повністю підпадають під клас 9. Загалом тільки вантажі, що містять літій-іонні акумулятори ємністю більше за 100 ват-годин (Вт-год.), вимагають транспортування відповідно до норм перевезення небезпечних речовин, що повністю підпадають під Клас 9. На всі літій-іонні акумулятори нанесено значення ват-годин. Крім того, через складності законодавчих норм компанія DEWALT не рекомендує транспортування окремо літій-іонних акумуляторів повітряним транспортом, незалежно від показника ват-годин. Перевезення інструментів з акумуляторами (у комплекті) можна виконувати повітряним транспортом, якщо значення ват-годин не перевищує 100 Вт-год.

Незалежно від того, чи вантаж вважається виключеним або повністю регламентованим, вантажовідправник несе відповідальність за відповідність останнім нормам щодо вимог до упаковки, етикеток/маркування та документації. Інформація, що наводиться у цьому розділі керівництва, сумлінно перевірена та вважається дійсною на момент складання документації. Проте чинні нормативи можуть підлягати зміні. Покупець несе відповідальність за те, щоб його дії відповідали певним нормам.

Рекомендації щодо зберігання

1. Найкращим місцем для зберігання інструмента є прохолодне сухе місце, куди не потрапляють прямі сонячні промені та немає доступу тепла та холоду. Для оптимальної продуктивності та терміну служби батарей зберігайте їх за кімнатної температури, коли вони не використовуються.
2. При тривалому зберіганні для оптимального результату рекомендується помістити повністю заряджений акумулятор у сухе прохолодне місце поза зарядним пристроєм.

ПРИМІТКА: Не рекомендується зберігати акумулятор повністю розрядженим. Акумулятор потрібно перезарядити перед використанням.

Етикетки на зарядному пристрої та акумуляторі

Крім символів, що використовуються у цьому керівництві, етикетки на зарядному пристрої та акумуляторі можуть містити наведені нижче позначки.



Прочитайте інструкції цього керівництва перед використанням.



Див. розділ «Технічні дані» щодо часу зарядки.



Не торкайтеся електропровідними предметами.



Не заряджайте пошкоджені акумулятори.



Не піддавайте впливу води.



Негайно замінійте пошкоджений дріт живлення.



Заряджайте акумулятор за температури 4–40 °С.



Лише для використання в приміщенні.



Утилізуйте акумулятори з належною турботою про навколишнє середовище.



Заряджайте акумулятори DEWALT лише за допомогою спеціальних зарядних пристроїв DEWALT. Зарядка інших акумуляторних батарей, ніж призначені DEWALT, у зарядному пристрої DEWALT може призвести до їх вибуху або інших небезпечних ситуацій.



Не спляйте акумулятори.

Тип батареї

Наступні прилади працюють від акумулятора на 12 В: DCS512. Для експлуатації придатні акумулятори наступних моделей: DCB122, DCB124/G, DCB125, DCB126/G, DCB127. Див. додаткову інформацію в розділі «Технічні дані».

Комплект поставки

До комплекту входить:

- 1 Диска пилка
- 1 Пильний диск пилки
- 1 Шестигранний ключ.
- 1 Напрямна планка
- 1 Порт для видалення пилю
- 1 Зарядний пристрій (моделі C, D, L, M, P, S, T, X, Y)
- 1 Літій-іонний акумулятор (моделі C1, D1, L1, M1, P1, S1, T1, X1, Y1)
- 2 Літій-іонні акумулятори (моделі C2, D2, L2, M2, P2, S2, T2, X2, Y2)
- 3 Літій-іонні акумулятори (моделі C3, D3, L3, M3, P3, S3, T3, X3, Y3)
- 1 Посібник з експлуатації

ПРИМІТКА. Акумулятори, зарядні пристрої та коробки для зберігання не входять до комплекту моделей N. Акумулятори та зарядні пристрої не входять до комплекту моделей NT. Моделі B мають акумулятори для пристроїв з підтримкою Bluetooth®.

ПРИМІТКА. Текстовий знак та логотипи Bluetooth® є зареєстрованими товарними знаками, що належать компанії Bluetooth®, SIG, Inc. Будь-яке використання таких знаків компанією DEWALT здійснюється згідно з

ліцензією. Інші торгові марки та торгові назви є власністю відповідних власників.

- *Перевірте інструмент, деталі та приладдя на пошкодження, що могли виникнути під час транспортування.*
- *Перед використанням уважно прочитайте та повністю зрозумійте це керівництво.*

Маркування інструмента

На інструменті є наступні піктограми:



Прочитайте інструкції цього керівництва перед використанням.



Використовуйте засоби захисту органів слуху.



Використовуйте засоби захисту очей.



Видиме випромінювання. Не дивіться на джерело світла.

Розташування коду дати (Рис. В)

Код дати **16**, що включає також рік виробництва, зазначений на корпусі.

Приклад:

2020 XX XX

Рік виробництва

Опис (рис. А, D, F)



УВАГА! Ніколи не модифікуйте електричні інструменти або їх деталі. Це може призвести до пошкодження майна або тілесних ушкоджень.

- 1 Кнопка блокування тригерного перемикача
- 2 Тригерний перемикач
- 3 Акумулятор
- 4 Важіль налаштування глибини
- 5 Опорна пластина
- 6 Важіль фіксації нижнього захисного кожуха диска
- 7 Нижній захисний кожух диска
- 8 Затискильний гвинт диска
- 9 Індикатор ширини розрізу
- 10 Важіль фіксації куту нахилу
- 11 Джерело робочого світла
- 12 Допоміжна ручка
- 13 Кнопка розблокування акумулятора
- 14 Шестигранний ключ.
- 15 Пильний диск
- 16 Шпindelь
- 17 Кроквяний гак

Сфера застосування

Ваша бездротова дискова пилка призначена для професійного різання деревини. Не різте метал, пластмасу, бетон, цегляну кладку або фіброцементні матеріали.

НЕ використовуйте за умов підвищеної вологості або в присутності легкозаймистих рідин та газів.

Ці дискові пили для роботи у важких умовах є професійними інструментами.

Не дозволяйте дітям торкатися інструмента. Використання інструмента недосвідченими операторами потребує нагляду.

- **Діти та хворі люди.** Цей пристрій не призначений для використання дітьми та особами з обмеженими фізичними або розумовими можливостями без нагляду.
- Цей пристрій не призначений для використання особами (включаючи дітей) із зниженими фізичними, сенсорними або розумовими можливостями або особами, яким бракує досвіду або знань за винятком випадків, коли такі особи працюють під наглядом особи, яка несе відповідальність за їх безпеку. Не можна залишати дітей наодинці з цим приладом.

МОНТАЖ ТА НАЛАШТУВАННЯ



ПОПЕРЕДЖЕННЯ: Щоб знизити ризик серйозних тілесних ушкоджень, вимкніть інструмент та відключіть акумулятор перед виконанням будь-яких налаштувань або зніманням/встановленням додаткового обладнання або приладдя. Випадковий запуск може призвести до травм.



ПОПЕРЕДЖЕННЯ: Використовуйте тільки DEWALT акумулятори та зарядні пристрої.

Установка акумулятора в інструмент та його виймання (Рис. В)

ПРИМІТКА. Переконайтесь, що ваш акумулятор **3** повністю заряджений.

Для встановлення акумулятора у ручку інструмента

1. Вирівняйте акумулятор **3** по напрямних у ручці інструменту (Рис. В).
2. Вставте акумулятор у ручку до упору та переконайтесь, що ви почули звук клацання акумулятора, що став на місце.

Виймання акумулятора з інструмента

1. Натисніть кнопку розблокування **13** та витягніть акумулятор з ручки інструмента.
2. Вставте акумулятор у зарядний пристрій, як описано у розділі щодо зарядного пристрою цього керівництва.

Акумулятори з індикатором рівня заряду (Рис. В)

Деякі акумулятори DEWALT оснащені індикатором заряду з трьох зелених світлодіодів, що вказують рівень заряду акумулятора, що залишився.

Щоб увімкнути індикатор заряду, натисніть та утримуйте кнопку індикатора заряду **27**. Три зелені світлодіоди будуть горіти відповідним чином, відображуючи рівень зарядки акумулятора. Коли рівень заряду акумулятора нижче

відповідного ліміту, індикатор рівня заряду не горить, а акумулятор потрібно зарядити.

ПРИМІТКА: Індикатор рівня зарядки показує лише рівень зарядки, що залишився в акумуляторі. Він не показує функціональність інструмента, а його показники можуть змінюватись відповідно до комплектності інструмента, температури та способу застосування.

Заміна пильних дисків

Встановлення пильного диска (рис. А, С)



УВАГА! Вийміть акумулятор перед обслуговуванням, регулюванням, встановленням або вийманням приладдя.

1. Встановіть внутрішню затискну шайбу **20** на шпindel пилки **17** належним чином.
2. Втягніть нижній кожух диска **7** і встановіть пильний диск на шпindel пилки до внутрішньої затискної шайби, при цьому переконавшись, що полотно обертається в правильному напрямку (стрілка-індикатор обертання на полотні і зубцях повинна вказувати в тому ж напрямку, що і стрілка-індикатор обертання на нижньому захисному кожусі диска). Не думайте, що при правильному встановленні друк на диску завжди буде спрямований до вас. При втягуванні нижнього захисного кожуха для встановлення диска перевірте стан і роботу нижнього захисного кожуха диска, щоб переконавшись, що він працює належним чином. Переконайтесь, що він вільно рухається і не торкається пильного диска та інших деталей в жодному з напрямків та за будь-якої глибини розпилювання.
3. Встановіть зовнішню шайбу затиску **19** на шпindel пилки так, щоб велика пласка поверхня притулилася до диска скошеною стороною назовні.
4. Вкрутіть затискний гвинт полотна **8** в шпindel пилки вручну (гвинт має лівостороннє різьблення і повинен затягуватися проти годинникової стрілки).
5. Затисніть кнопку блокування диска **21**, обертаючи при цьому шпindel пилки шестигранним ключем **14** до тих пір, поки фіксатор полотна не спрацює і диск не перестане обертатися.
6. Добре затягніть затискний гвинт пильного диска за допомогою гайкового ключа.

ПРИМІТКА. Ні в якому разі не задійте фіксатор пильного диска під час роботи пилки і не намагайтеся зупинити інструмент. Ніколи не вмийайте пилку із задіяним фіксатором пильного диска. Це призведе до серйозного пошкодження пилки.

Заміна пильного диску (рис. А, С)



УВАГА! Вийміть акумулятор перед обслуговуванням, регулюванням, встановленням або вийманням приладдя.

1. Щоб послабити затискний гвинт диска **8**, затисніть кнопку блокування диска **21** і поверніть при цьому шпindel пилки шестигранним ключем **14** до тих пір, поки фіксатор полотна не спрацює і диск не перестане

обертатися. З задіяним фіксатором диска поверніть затискний гвинт диска за годинниковою стрілкою шестигранним ключем (гвинт має ліве різьблення і для ослаблення повинен бути повернений за годинниковою стрілкою).

2. Зніміть лише затискний гвинт диска **8** і зовнішню шайбу затиску **19**. Зніміть старий пильний диск.
3. Очистіть всю тирсу, що могла накопичитися в області кожуха або шайби затиску, і перевірте стан і роботу нижнього кожуха диска, як описано вище. Не змашуйте цю область.
4. **Виберіть відповідний диск (див. розділ «Пильні диски»)**. Завжди використовуйте диски правильного розміру (діаметра) з відповідним розміром і формою центрального отвору для встановлення на шпindel пилки. Завжди стежте за тим, щоб максимальна рекомендована частота обертання (об/хв) пильного диска співпадала зі швидкістю обертання (об/хв) пилки або перевищувала її.
5. Виконайте кроки з 2 по 6 в розділі **Встановлення пильного диску** і переконайтеся, що диски будуть обертатися в правильному напрямку.

Нижній захисний кожух пильного диска

ЗАСТЕРЕЖЕННЯ. Нижній захисний кожух диска є запобіжним пристроєм, що знижує ризик отримання важких травм. Ніколи не використовуйте пилку, якщо нижній захисний кожух відсутній, пошкоджений, неправильно змонтований або неправильно працює. Ні в якому разі не розраховуйте, що нижній захисний кожух диска захистить вас. Ваша безпека залежить від дотримання всіх застережень і запобіжних заходів, а також від правильної експлуатації пилки. Перед використанням перевірте, щоб нижній захисний кожух диска був зафіксований відповідним чином. Якщо нижній захисний кожух диска відсутній або не працює належним чином, то перед використанням пилки необхідно провести її технічне обслуговування. Для забезпечення безпеки і надійності продукту ремонт, технічне обслуговування та регулювання повинні виконуватися авторизованим сервісним центром або іншою кваліфікованою сервісною організацією, завжди з використанням ідентичних запасних частин.

Перевірка нижнього захисного кожуха (рис. А)

1. Вимкніть інструмент та відключіть його від джерела живлення.
2. Поверніть важіль нижнього захисного кожуха **14** з повністю закритого положення в повністю відкрите.
3. Відпустіть важіль і поспостерігайте за тим, як захисний кожух **12** повертається в повністю закрите положення.

Обслуговування інструменту має здійснюватися кваліфікованим сервісним центром, якщо:

- не повертається у повністю закрите положення,
- рухається з перервами або повільно, або
- стикається з диском або будь-якою частиною інструменту у всіх кутах і глибині розрізу.

Пильні диски



УВАГА! Для зменшення ризику отримання травми очей завжди використовуйте засоби захисту очей. Твердий сплав – твердий, але крихкий матеріал. Сторонні предмети на заготовці, такі як дрiт або цвяхи, можуть призвести до тріщин або поломок ріжучої кромки. Працюйте з пилкою тільки при встановленому належному захисному кожусі пильного диска. Перед використанням надійно закріпіть диск в правильному положенні обертання. Завжди використовуйте чистий і гострий пильний диск.



УВАГА! Не різте цією пилкою метал, пластмасу, бетон, цегляну кладку або фiброцементні матеріали.

Не використовуйте абразивні колеса або пильні диски. Тупий диск призведе до повільного неефективного різання, перевантаження двигуна пилки, надмірного утворення сколів, а також може збільшити ймовірність віддачі. Див. таблицю нижче, щоб визначити правильний розмір пильного диска на заміну для пилки вашої моделі.

Діаметр пильного диска	Кількість зубів	Застосування
6–1/2" (140 мм)	24	Загальне різання

Налаштування глибини різання (рис. А, Н)

1. Міцно тримайте пилу і ослабте (за годинниковою стрілкою) важіль налаштування глибини **4** і перемістіть опорну пластину (**5**, рис. А), щоб отримати бажану глибину різання.
2. Перед роботою пилкою переконайтеся, що важіль налаштування глибини затягнутий (проти годинникової стрілки).

Для найбільш ефективного різання встановіть регулювання глибини так, щоб половина зубця диска виступала нижче матеріалу, який потрібно різати. Ця відстань пролягає від кінчика зубця до нижньої частини западини перед ним. Встановлення пилки на належній глибині різання зводить до нуля тертя диска до мінімуму, видаляє тирсу з розпилу, приводить до охолодження, більш швидшого пиляння та зменшує ймовірність віддачі. На рис. Н зображено метод перевірки правильної глибини різання. Покладіть шматок матеріалу, який ви плануєте розрізати вздовж боку диска, як показано на рисунку, і подивіться, наскільки зубці виступають за матеріал.

Регулювання кута скосу кромки (рис. А, І)

1. Повний діапазон регулювання фаски становить від 0° до 50°. Квадрант градується з кроком в 1°. На передній частині пилки знаходиться механізм регулювання кута нахилу коси, що складається з відкаліброваного квадранта та важеля регулювання фаски **10**.

Встановити пилку для скосу

1. Послабте (проти годинникової стрілки) важіль регулювання фаски **10** і нахиліть колодку (**5**, рис. А) до потрібного кута, вирівнявши вказівник з потрібною позначкою кута.
2. Міцно затягніть важіль (за годинниковою стрілкою).

Монтаж і регулювання напрямної планки (рис. М)

Напрямна планка **26** використовується для різання паралельно краю заготовки.

Монтаж

1. Відкрутіть ручку регулювання напрямної планки **25**, щоб забезпечити проходження напрямної планки.
2. Вставте напрямну планку **26** в опорну пластину, як показано на рисунку.
3. Затягніть ручку регулювання напрямної планки **25**.

Регулювання

1. Відпустіть ручку регулювання напрямної планки **25** і встановіть напрямну планку **26** на потрібну ширину. Значення регулювання можна побачити на шкалі напрямної планки.
2. Затягніть ручку регулювання напрямної планки **25**.

Монтаж порту для видалення пилу (рис. А, Е)

Ваша дискова пилка оснащена портом для видалення пилу.

Монтаж порту для видалення пилу



1. Повністю відкрутіть важіль налаштування глибини **4**.
2. Розмістіть опорну пластину **5** у найнижчому положенні.
3. Вставте порт для видалення пилу **22** в верхній кожух дискової пилки і вирівняйте з монтажними отворами. Закріпіть порт для видалення пилу на верхньому кожусі за допомогою двох гвинтів **24** з комплекту поставки.

Перед експлуатацією



- Переконайтесь, що запобіжники встановлені вірно. Запобіжник пильного полотна повинен бути в закритому положенні.
- Переконайтесь, що пильний диск обертається у напрямку, вказаному стрілкою на диску.
- Не використовуйте занадто зношені пильні диски.

РЕЖИМ РОБОТИ

Інструкції з використання

-  **ПОПЕРЕДЖЕННЯ:** *Завжди дотримуйтесь усіх інструкцій з техніки безпеки та відповідних норм.*
-  **ПОПЕРЕДЖЕННЯ:** *Щоб знизити ризик серйозних тілесних ушкоджень, вимкніть інструмент та відключіть акумулятор перед виконанням будь-яких налаштувань або змінами/встановленням додаткового обладнання або приладдя. Випадковий запуск може призвести до травм.*

Належне положення рук (рис. D)

-  **УВАГА:** *Щоб знизити ризик серйозних травм, ЗАВЖДИ правильно розташуйте руки, як показано.*
-  **УВАГА!** *Щоб знизити ризик серйозних травм, ЗАВЖДИ надійно тримайте інструмент, щоб попередити випадкову віддачу.*

При правильному положенні рук необхідно одну руку тримати на основній ручці **23**, а іншу – на допоміжній ручці **12**.

Увімкнення та вимкнення (рис. А)



Для підвищення безпеки тригерний перемикач **2** вашого інструменту оснащений кнопкою блокування **1**.

Натисніть кнопку блокування, щоб розблокувати інструмент. Щоб увімкнути інструмент, натисніть тригерний перемикач **2**. Коли ви відпускаєте тригерний перемикач, автоматично активується кнопка блокування для уникнення випадкового запуску інструменту.

ПРИМІТКА. *Не вмикайте/вимикайте інструмент, коли пильний диск торкається заготовки або матеріалу.*

Поясний гак (рис. G)

(входить до комплекту деяких моделей)

-  **УВАГА:** *Для зменшення ризику травматизму не використовуйте поясний гак для підвішування інструменту на тіло. НЕ використовуйте поясний гак для підвішування або фіксації інструмента, який працює, на тілі людини або іншому предметі. НЕ підвішуйте інструмент у перевернутому стані та не вешайте предмети на гачок для підвішування.*
-  **УВАГА:** *Щоб знизити ризик травмування внаслідок падіння дискової пилки на операторів або сторонніх людей, переконайтесь, що вона надійно тримається на гачку для підвішування або знаходиться в безпечному та стабільному місці, коли не використовується. Тримайте у чистоті область нарізання, щоб зменшити ризик падіння інструмента чи відрізаного матеріалу та удару когось або чогось нижче.*

Дискова пилка має зручний гачок для підвішування **18**, який дозволяє підвішувати пилку на придатну непохитну

конструкцію, коли вона не використовується. Не використовуйте поясний гак для підвішування або фіксації інструмента, який працює, на тілі людини або іншому предметі.

Джерело робочого світла (рис. А)

! **ОБЕРЕЖНО!** Уникайте прямого погляду на джерело робочого світла. Це може призвести до серйозного пошкодження очей.

Робоче світло **11** вмикається при натисканні кнопки блокування тригерного перемикача **1** і автоматично вимикається через 20 секунд після відпускання перемикача. Якщо тригерний перемикач **2** натиснутий впродовж певного часу, робоче світло залишатиметься також увімкненим.

ПРИМІТКА. Джерело робочого світла призначене для освітлення безпосередньої робочої поверхні та не використовується в якості ліхтарика.

Закріплення заготовки (рис. J–L)

! **ЗАСТЕРЕЖЕННЯ.** Щоб зменшити ризик отримання важких травм, належним чином підтримуйте заготовку і міцно тримайте пилку, щоб запобігти втраті контролю.

На рис. W та Y зображенні правильні положення різання. На рис. X та Z зображенні небезпечні положення. Руки слід тримати подалі від зони різання.

Щоб уникнути віддачі, ЗАВЖДИ підтримуйте дошку або панель БЛЯ місяця різання (рис. W та Y). Не підтримуйте дошку або панель далеко від місяця різання (рис. X, Z).

ПЕРЕД ВИКОНАННЯМ РЕГУЛЮВАНЬ ЗАВЖДИ ВІД'ЄДНУЙТЕ АКУМУЛЯТОР! Помістіть заготовку з її «корошою» стороною – тією, зовнішній вигляд якої найбільш важливий – донизу. Пилка ріже вгору, тому при різанні будь-якої будувати на верхній робочій поверхні.

Різнання (рис. L–N)

! **ЗАСТЕРЕЖЕННЯ.** Ніколи не використовуйте інструмент у переверненому стані на робочій поверхні та не підносьте до нього матеріал. Необхідно завжди надійно затискати заготовку та підносити інструмент до неї, надійно тримаючи інструмент двома руками, як зображено на рис. Y.

Встановіть ширшу частину опорної пластини пилки на міцно закріплену частину заготовки, а не на частину, яка відпаде при виконанні розрізу. Як приклад на рис. Y показаний ПРАВИЛЬНИЙ спосіб відрізнання кінця дошки. Завжди затискайте заготовку. Не намагайтесь тримати короткі шматки руками! Не забудьте підтримувати матеріал, що виступає або звисає. Будьте обережні при розпилюванні матеріалу знизу.

Перш ніж різати матеріал, переконайтеся в тому, що пилка працює на повній швидкості. Запуск пилки з пильним диском на матеріалі, що підлягає різанню, або штовхання його в пропил може привести до віддачі. Штовхайте пилку вперед зі швидкістю, що дозволяє пильному диску різати без зусиль. Твердість і в'язкість можуть відрізнятись навіть в одному і

тому ж шматку матеріалу, а сучкуваті або сирі ділянки можуть створювати сильне навантаження на пилку. В такому випадку штовхайте пилку повільніше, але досить сильно, щоб продовжувати роботу без значного зменшення швидкості. Надмірне натискання на пилку може привести до грубих розривів, неточностей, віддачі і перегріву двигуна. Якщо ваш розріз почне відхилитися від лінії, не намагайтесь повернути його назад. Відпустіть перемикач і дайте пильному диску повністю зупинитися. Потім ви можете вийняти пилку, заново навести і почати новий розріз злегка всередині неправильного. У будь-якому випадку виймайте пилку, якщо вам потрібно зрушити розріз. Примусова корекція всередині розрізу може загальмувати пилку і призвести до віддачі. ЯКЩО ПИЛКА ЗУПИНІТЬСЯ, ВІДПУСТИТЬ ПЕРЕМИКАЧ І ПОТЯГНІТЬ ПИЛКУ НАЗАД ДО ЇЇ ЗВІЛЬНЕННЯ. ПЕРЕД ПОВТОРНИМ ЗАПУСКОМ ПЕРЕКОНАЙТЕСЯ В ТОМУ, ЩО ПИЛЬНИЙ ДИСК ПРЯМО В РОЗРІЗІ І ОЧИСТИТЬ РІЗУЧУ КРОМКУ.

Після закінчення різання відпустіть перемикач і дайте пильному диску зупинитися, перш ніж підняти пилу з заготовки. При піднятті пилки телескопічний кожух, натягнутий пружиною, автоматично закриється під диском. Пам'ятайте, що до цього моменту пильний диск відкритий. Ніколи не підставляйте руки під деталь. При необхідності втягування телескопічного захисного кожуха вручну (як це необхідно при запуску наскрізного розпилювання) завжди використовуйте важіль втягування.

ПРИМІТКА. При різанні тонких смужок стежте за тим, щоб маленькі відрізані шматки не звисали з внутрішньої сторони нижнього захисного кожуха.

Поздовжнє розпилювання (рис. M)

Поздовжнє розпилювання – це процес різання більш широких дощок на вузькі смужки – розрізання вздовж волокон. Для цього типу різання ручне спрямування є більш складним, і рекомендується використовувати поздовжню напрямку DeWALT.

Наскрізне розпилювання (рис. N)

! **УВАГА!** Ніколи не затягуйте нижній захисний кожух пилки в піднятому положенні. Ніколи не рухайте диск назад при наскрізному розпилюванні. Це може призвести до підняття пилки з робочої поверхні, що може стати причиною травм.

Наскрізне розпилювання – це розпилювання, яке виконується на підлозі, стіні або іншій плоскій поверхні.

1. Відрегулюйте опорну пластину пилки таким чином, щоб розріз пильного диска були бажаної глибини.
2. Нахиліть пилку вперед і встановіть передню частину опорної пластини на матеріал, який підлягає розпилу.
3. За допомогою важеля нижнього захисного кожуха диска втягніть нижній захисний кожух диска в верхнє положення. Опускайте задню частину опорної пластини до тих пір, поки зубці диска будуть майже торкатися лінії різання.
4. Відпустіть нижній захисний кожух пильного диска (його контакт із заготовкою утримає його у відкритому

положенні, щоб він міг вільно відкриватися при початку різання). Приберіть руку з важеля нижнього захисного кожуха диска і міцно візьміться за допоміжну ручку **12**, як показано на рис. N. Розташуйте тіло та руку таким чином, щоб протистояти віддачі.

5. Перед запуском пилки переконайтеся, що пильний диск не стикається з робочою поверхнею.
6. Запустіть двигун і поступово опускайте пилу до тих пір, поки її опорна пластина не буде прилягати до матеріалу, який підлягає розпилу. Просувайте пилку вздовж лінії розпилу до завершення розпилу.
7. Відпустіть курковий перемикач і дайте пильному диску повністю зупинитися, перш ніж витягати його з матеріалу.
8. При запуску кожного нового розпилу повторюйте кроки, описані вище.

Видалення пилу (рис. E, F)

! **ЗАСТЕРЕЖЕННЯ.** Ризик вдихання пилу. Для зниження ризику отримання травм **ЗАВЖДИ** використовуйте схвалену пилозахисну маску.

Ваш інструмент оснащений портом для видалення пилу **22**.

Порт для видалення пилу дозволяє підключити інструмент до зовнішнього пиლოსоса, використовуючи систему AirLock™ (DWV9000-XJ), або стандартний пристрій для видалення пилу 35 мм.

! **ЗАСТЕРЕЖЕННЯ. ЗАВЖДИ** використовуйте пиლოსос, розроблений згідно з відповідними директивами щодо викиду пилу при розрізанні деревини. Шланги багатьох пиლოსосів можна прикріпити безпосередньо до отвору для видалення пилу.

ТЕХНІЧНЕ ОБСЛУГОВУВАННЯ

Ваш електричний інструмент призначений для роботи протягом довгого часу з мінімальним обслуговуванням. Довга задовільна робота приладу залежить від належного обслуговування приладу та регулярного його очищення.

! **ПОПЕРЕДЖЕННЯ:** Щоб знизити ризик серйозних тілесних ушкоджень, вимкніть інструмент та відключіть акумулятор перед виконанням будь-яких налаштувань або зніманням/встановленням додаткового обладнання або приладдя. Випадковий запуск може призвести до травм.

Зарядний пристрій та акумулятор не підлягають обслуговуванню.



Змащування

Ваш електричний інструмент не вимагає додаткового змащування.



Очищення

! **ПОПЕРЕДЖЕННЯ:** Коли пил та бруд стають помітними та починають накопичуватися біля вентиляційних отворів, видавайте бруд та пил зсередини основного корпусу за допомогою сухого повітря. Використовуйте рекомендовані засоби захисту органів зору та рекомендовану протипилову маску при виконанні цієї операції.

! **ПОПЕРЕДЖЕННЯ:** Ніколи не використовуйте розчинники та інші агресивні хімічні засоби для очищення неметалевих деталей інструмента. Такі хімічні речовини можуть нанести шкоду матеріалам, що використовуються в цих деталях. Використовуйте вологу ганчірку, змочену лише водою з м'яким милом. Не дозволяйте рідині потрапляти всередину інструмента та ніколи не занурюйте деталі інструмента в рідину.

Нижній захисний кожух

Нижній захисний кожух завжди повинен вільно обертатися і закриватися від повністю відкритого до повністю закритого положення. Перед різанням завжди перевіряйте правильність роботи, повністю відкриваючи захисний кожух і даючи йому закритися. Якщо кожух закривається повільно або не повністю, його потрібно почистити або відремонтувати. Не використовуйте пилку, поки кожух не буде правильно працювати. Для очищення кожуха використовуйте сухе повітря або м'яку щітку, щоб видалити всі накопичення тирси або сміття зі шляху кожуха і навколо нього. Якщо все ще виникають проблеми, кожух підлягає обслуговуванню в авторизованому сервісному центрі.

НЕ ВИКОРИСТОВУЙТЕ З ЦЬЮЮ ПИЛКОЮ НАСАДКИ З ПОДАЧЕЮ ВОДИ.

ВІЗУАЛЬНО ОГЛЯНЬТЕ ТВЕРДОСПЛАВНІ ДИСКИ ПЕРЕД ВИКОРИСТАННЯМ. ЗАМІНІТЬ В РАЗІ ПОШКОДЖЕННЯ.

Додаткові аксесуари

! **ПОПЕРЕДЖЕННЯ:** Оскільки інше приладдя, що не зазначене виробником DEWALT, не перевірялося з цим пристроєм, його використання з інструментом може бути небезпечним. Необхідно використовувати лише рекомендовані DEWALT приладдя з цим пристроєм, щоб знизити ризик отримання травм.

Зверніться до свого дилера для отримання подальшої інформації щодо відповідного приладдя.

Захист навколишнього середовища



Роздільний збір. Пристрої і акумулятори позначені цим символом, не можна викидати зі звичайним побутовим сміттям.

Пристрої і акумулятори містять матеріали, які можна відновити та переробити, що зменшить потребу у сировині. Утилізуйте електротехнічну продукцію і акумулятори відповідно до місцевих положень.

Більш детальну інформацію можна отримати на сайті www.2helpU.com.

Придатність акумулятора для перезарядки

Дана модель акумулятора підлягає перезарядці у випадку зниження його потужності при виконанні завдань, що попередньо не вимагали особливих зусиль. Наприкінці терміну служби акумулятора утилізуйте його у спосіб, безпечний для навколишнього середовища.

- Повністю розрядіть акумулятор, потім витягніть його з інструменту.
- Літій-іонні акумулятори можна повторно переробляти. Відправте їх до свого дилера або на місцеву переробну станцію. Там зібрані акумулятори будуть перероблені або знищені належним чином.



Виробник:
"Stanley Black & Decker Deutschland
GmbH" Black-&-Decker Str.40, D-65510
Idstein, Німеччина

DEWALT

ГАРАНТІЙНИЙ ТАЛОН

**3 РОКИ
ГАРАНТІЇ**

1. Вітаємо Вас з покупкою високоякісного виробу DEWALT і висловлюємо вдячність за Ваш вибір.
2. При покупці виробу вимагайте перевірки його комплекtnості і справності у Вашій присутності, інструкцію з експлуатації та заповнений гарантійний талон українською мовою. В гарантійному талоні повинні бути внесені: модель, дата продажу, серійний номер, дата виробництва інструменту, назва, печатка і підпис торгової організації. За відсутності у Вас правильно заповненого гарантійного талону, а також при невідповідності зазначених у ньому даних ми будемо змушені відхилити Ваші претензії щодо якості даного виробу.
3. Щоб уникнути непорозумінь, переконливо просимо Вас перед початком роботи з виробом уважно ознайомитися з інструкцією з його експлуатації. Правовою основою справжніх гарантійних умов є чинне Законодавство. Гарантійний термін на даний виріб складає 36 місяці і обчислюється з дня продажу. У разі усунення недоліків виробу, гарантійний строк продовжується на період його перебування в ремонті. Термін служби виробу становить 5 років з дня продажу.
4. У разі виникнення будь-яких проблем у процесі експлуатації виробу рекомендуємо Вам звертатися тільки в уповноважені сервісні центри DEWALT, адреси та телефони яких Ви зможете знайти в гарантійному талоні, на сайті www.2helpU.com або дізнатися в магазині. Наші сервісні станції - це не тільки кваліфікований ремонт, але і широкий асортимент запчастин і аксесуарів.
5. Виробник рекомендує проводити періодичну перевірку і технічне обслуговування виробу в уповноважених сервісних центрах.
6. Наші гарантійні зобов'язання поширюються тільки на несправності, виявлені протягом гарантійного терміну і викликані дефектами виробництва та \ або матеріалів.
7. Гарантійні умови не поширюються на несправності виробу, що виникли в результаті:
 - 7.1. Недотримання користувачем приписів інструкції з експлуатації виробу, застосування виробу не за призначенням, неправильного зберігання, використання приладдя, витратних матеріалів і запчастин, що не передбачені виробником.
 - 7.2. Механічного пошкодження (відколи, тріщини і руйнування) внутрішніх і зовнішніх деталей виробу, основних і допоміжних рукояток, мережевого кабелю, що викликані зовнішнім ударним або будь-яким іншим впливом
 - 7.3. Потраплення у вентиляційні отвори та проникнення всередину виробу сторонніх предметів, матеріалів або речовин, що не є відходами, які супроводжують застосування виробу за призначенням, такими як: стружка, тирса, пісок, та ін.
 - 7.4. Впливу на виріб несприятливих атмосферних і інших зовнішніх факторів, таких як дощ, сніг, підвищена вологість, нагрівання, агресивне середовище, невідповідність параметрів електромережі, що зазначені на інструменті.
 - 7.5. Стихійного лиха. Пошкодження або втрати виробу, що пов'язані з непередбаченими лихами, стихійними явищами, у тому числі внаслідок дії непереборної сили (пожежа, блискавка, потоп і інші природні явища), а також внаслідок перепадів напруги в електромережі та іншими причинами, які знаходяться поза контролем виробника.
8. Гарантійні умови не поширюються:
 - 8.1. На інструменти, що піддавалися розкриттю, ремонту або модифікації поза уповноваженим сервісним центром.
 - 8.2. На деталі, вузли та матеріали, що мають сліди природного зносу, такі як: приводні ремені і колеса, вугільні щітки, мастило, підшипники, зубчасті зчеплення редукторів, гумові ущільнення, сальники, направляючі ролики, муфти, вижимачі, бойки, штовхачі, стовпи тощо.
 - 8.3. На змінні частини: патрони, цанги, затискні гайки і фланці, фільтри, ножі, шліфувальні підшви, ланцюги, зірочки, пильні шини, захисні кожухи, пилки, абразиви, пильні і абразивні диски, фрези, свердла, бури тощо
 - 8.4. На несправності, що виникли в результаті перевантаження інструменту (як механічного, так і електричного), що спричинили вихід з ладу одночасно двох і більше деталей і вузлів, таких як: ротора і статора, обох обмоток статора, веденої і ведучої шестерень редуктора або інших вузлів і деталей. До безумовних ознак перевантаження виробу відносяться, крім інших: поява кольорів мінливості, деформація або оплвлення деталей і вузлів виробу, потемніння або обуглювання ізоляції проводів електродвигуна під впливом високої температури.

Товар отриманий в справному стані, без видимих ушкоджень, в повній комплектації, перевірений у моїй присутності, претензій щодо якості товару не маю. З умовами гарантійного обслуговування ознайомлений і згоден.

П. І. Б. та підпис власника _____

Шановні клієнти, наша мережа авторизованих сервісних центрів постійно розширюється. Актуальну інформацію про обслуговування в місті, що цікавить вас, ви можете дізнатися на сайті

www.2helpU.com

Редакція ВК/12-12-2018

Інформація про інструмент

Найменування інструменту	
Модель	
Найменування продавця	
Дата продажу	

М.П.
Продавця

Серійний номер/Дата виробництва

Інструмент	
Зарядний пристрій	
Акумулятор 1	
Акумулятор 2	

На сайті www.2helpU.com доступні наступні функції:

- Список авторизованих сервісних центрів
- Зручний пошук найближчого сервісного центру
- Керівництво з експлуатації
- Технічні характеристики
- Список деталей і запасних частин
- Схема складання інструменту



Також дану інформацію ви можете отримати, зателефонувавши за номером:
0 (800) 211 521 в Україні

ВІДМІТКА ПРО ПРОВЕДЕННЯ СЕРВІСНОГО ОБСЛУГОВУВАННЯ

№1	№2	№3	№4
№ замовлення	№ замовлення	№ замовлення	№ замовлення
Дата прийому	Дата прийому	Дата прийому	Дата прийому
Дата ремонту	Дата ремонту	Дата ремонту	Дата ремонту
Печатка і підпис сервісного центру	Печатка і підпис сервісного центру	Печатка і підпис сервісного центру	Печатка і підпис сервісного центру

130.com.ua

130.com.ua

130.com.ua

130.com.ua