



PHONES

0 (800) 800 130  
(050) 462 0 130  
(063) 462 0 130  
(067) 462 0 130

130  
COM.UA

Internet store of  
autogoods



SKYPE

km-130

CAR RECEIVERS — Receivers • Media receivers and stations • Native receivers • CD/DVD changers • FM-modulators/USB adapters • Flash memory • Facia plates and adapters • Antennas • Accessories |  
CAR AUDIO — Car audio speakers • Amplifiers • Subwoofers • Processors • Crossovers • Headphones • Accessories | TRIP COMPUTERS — Universal computers • Model computers • Accessories |  
GPS NAVIGATORS — Portable GPS • Built-in GPS • GPS modules • GPS trackers • Antennas for GPS navigators • Accessories | VIDEO — DVR • TV sets and monitors • Car TV tuners • Cameras • Videomodules  
• Transcoders • Car TV antennas • Accessories | SECURITY SYSTEMS — Car alarms • Bike alarms • Mechanical blockers • Immobilizers • Sensors • Accessories | OPTIC AND LIGHT — Xenon • Bixenon • Lamps  
• LED • Stroboscopes • Optic and Headlights • Washers • Light, rain sensors • Accessories | PARKTRONICS AND MIRRORS — Rear parktronic • Front parktronic • Combined parktronic • Rear-view mirrors  
• Accessories | HEATING AND COOLING — Seat heaters • Mirrors heaters • Screen-wipers heaters • Engine heaters • Auto-refrigerators • Air conditioning units • Accessories | TUNING — Vibro-isolation  
• Noise-isolation • Tint films • Accessories | ACCESSORIES — Radar-detectors • Handsfree, Bluetooth • Windowlifters • Compressors • Beeps, loudspeakers • Measuring instruments • Cleaners • Car seats  
• Miscellaneous | MOUNTING — Installation kits • Upholstery • Grilles • Tubes • Cable and wire • Tools • Miscellaneous | POWER — Batteries • Converters • Start-charging equipment • Capacitors  
• Accessories | MARINE AUDIO AND ELECTRONICS — Marine receivers • Marine audio speakers • Marine subwoofers • Marine amplifiers • Accessories | CAR CARE PRODUCTS — Additives • Washer fluid •  
Care accessories • Car polish • Flavors • Adhesives and sealants | LIQUID AND OIL — Motor oil • Transmission oil • Brake fluid • Antifreeze • Technical lubricant



In store "130" you can find and buy almost all necessary goods for your auto in Kyiv and other cities, delivery by ground and postal services. Our experienced consultants will provide you with exhaustive information and help you to chose the very particular thing. We are waiting for you at the address

<https://130.com.ua>

# DEWALT®



**Instruction Manual  
Guide D'utilisation  
Manual de instrucciones**

**D25733, D25773**

**Heavy-Duty SDS MAX Rotary Hammer**

**Marteau Rotatif SDS MAX Robuste**

**Rotomartillo SDS MAX de Servicio Pesado**

**[www.DEWALT.com](http://www.DEWALT.com)**

**If you have questions or comments, contact us.  
Pour toute question ou tout commentaire, nous contacter.  
Si tiene dudas o comentarios, contáctenos.**

**1-800-4-DEWALT**

ENGLISH

---

English (**original instructions**) 1

---

Français (*traduction de la notice d'instructions originale*) 9

---

Español (*traducido de las instrucciones originales*) 18

---

130.com.ua

## Definitions: Safety Alert Symbols and Words

This instruction manual uses the following safety alert symbols and words to alert you to hazardous situations and your risk of personal injury or property damage.



**DANGER:** Indicates an imminently hazardous situation which, if not avoided, **will** result in **death or serious injury**.



**WARNING:** Indicates a potentially hazardous situation which, if not avoided, **could** result in **death or serious injury**.



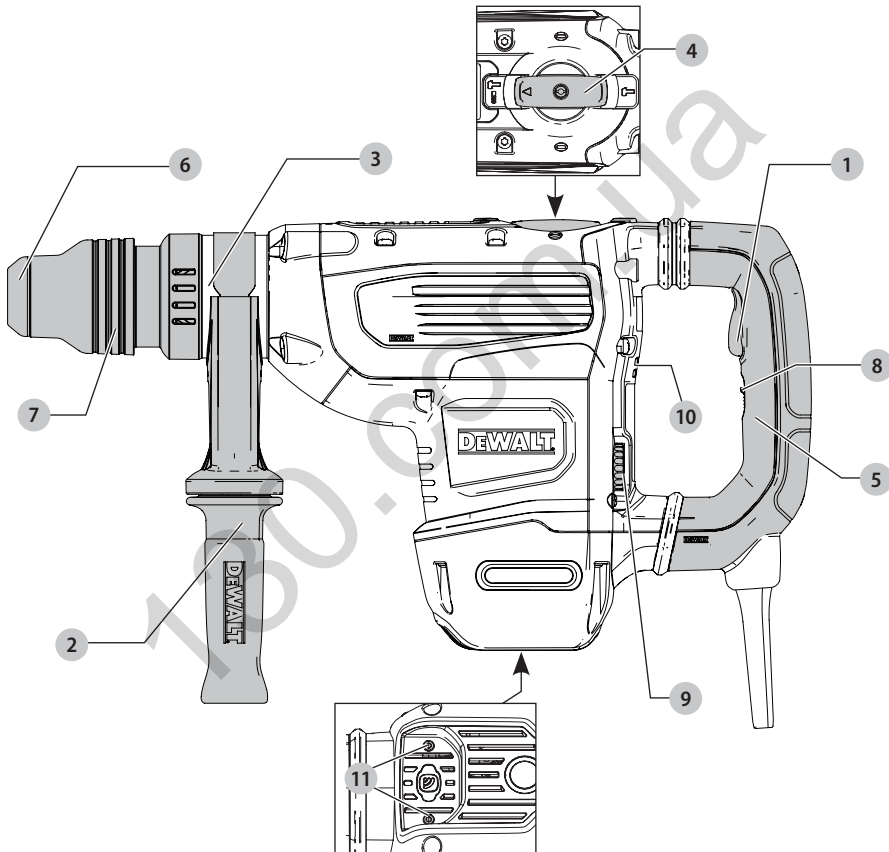
**CAUTION:** Indicates a potentially hazardous situation which, if not avoided, **may** result in **minor or moderate injury**.



(Used without word) Indicates a safety related message.

**NOTICE:** Indicates a practice **not related to personal injury** which, if not avoided, **may** result in **property damage**.

Fig. A



- |                         |  |
|-------------------------|--|
| 1 Trigger switch        | 8 Lock on button                                 |
| 2 Side handle           | 9 Speed dial                                     |
| 3 Front barrel (collar) | 10 E-Clutch® and yellow brushwear indicator LEDs |
| 4 Mode selector dial    | 11 DeWALT tool tag mounting holes                |
| 5 Main handle           |  |
| 6 Bit holder            |  |
| 7 Sleeve                |  |



**WARNING! Read all safety warnings and all instructions.** Failure to follow the warnings and instructions may result in electric shock, fire and/or serious injury.



**WARNING:** To reduce the risk of injury, read the instruction manual.

If you have any questions or comments about this or any DEWALT tool, call us toll free at: 1-800-4-DEWALT (1-800-433-9258).

## GENERAL POWER TOOL SAFETY WARNINGS



**WARNING! Read all safety warnings and all instructions.** Failure to follow the warnings and instructions may result in electric shock, fire and/or serious injury.

### SAVE ALL WARNINGS AND INSTRUCTIONS FOR FUTURE REFERENCE

The term “power tool” in the warnings refers to your mains-operated (corded) power tool or battery-operated (cordless) power tool.

#### 1) Work Area Safety

- a) **Keep work area clean and well lit.** Cluttered or dark areas invite accidents.
- b) **Do not operate power tools in explosive atmospheres, such as in the presence of flammable liquids, gases or dust.** Power tools create sparks which may ignite the dust or fumes.
- c) **Keep children and bystanders away while operating a power tool.** Distractions can cause you to lose control.

#### 2) Electrical Safety

- a) **Power tool plugs must match the outlet. Never modify the plug in any way. Do not use any adapter plugs with earthed (grounded) power tools.** Unmodified plugs and matching outlets will reduce risk of electric shock.
- b) **Avoid body contact with earthed or grounded surfaces such as pipes, radiators, ranges and refrigerators.** There is an increased risk of electric shock if your body is earthed or grounded.
- c) **Do not expose power tools to rain or wet conditions.** Water entering a power tool will increase the risk of electric shock.
- d) **Do not abuse the cord. Never use the cord for carrying, pulling or unplugging the power tool. Keep cord away from heat, oil, sharp edges or moving parts.** Damaged or entangled cords increase the risk of electric shock.
- e) **When operating a power tool outdoors, use an extension cord suitable for outdoor use.** Use of a cord suitable for outdoor use reduces the risk of electric shock.
- f) **If operating a power tool in a damp location is unavoidable, use a ground fault circuit interrupter (GFCI) protected supply.** Use of a GFCI reduces the risk of electric shock.

#### 3) Personal Safety

- a) **Stay alert, watch what you are doing and use common sense when operating a power tool. Do not use a power tool while you are tired or under the influence of drugs, alcohol or medication.** A moment of inattention while operating power tools may result in serious personal injury.

- b) **Use personal protective equipment. Always wear eye protection.** Protective equipment such as dust mask, non-skid safety shoes, hard hat, or hearing protection used for appropriate conditions will reduce personal injuries.
- c) **Prevent unintentional starting. Ensure the switch is in the off position before connecting to power source and/or battery pack, picking up or carrying the tool.** Carrying power tools with your finger on the switch or energizing power tools that have the switch on invites accidents.
- d) **Remove any adjusting key or wrench before turning the power tool on.** A wrench or a key left attached to a rotating part of the power tool may result in personal injury.
- e) **Do not overreach. Keep proper footing and balance at all times.** This enables better control of the power tool in unexpected situations.
- f) **Dress properly. Do not wear loose clothing or jewelry. Keep your hair, clothing and gloves away from moving parts.** Loose clothes, jewelry or long hair can be caught in moving parts.
- g) **If devices are provided for the connection of dust extraction and collection facilities, ensure these are connected and properly used.** Use of dust collection can reduce dust-related hazards.

#### 4) Power Tool Use and Care

- a) **Do not force the power tool. Use the correct power tool for your application.** The correct power tool will do the job better and safer at the rate for which it was designed.
- b) **Do not use the power tool if the switch does not turn it on and off.** Any power tool that cannot be controlled with the switch is dangerous and must be repaired.
- c) **Disconnect the plug from the power source and/or the battery pack from the power tool before making any adjustments, changing accessories, or storing power tools.** Such preventive safety measures reduce the risk of starting the power tool accidentally.
- d) **Store idle power tools out of the reach of children and do not allow persons unfamiliar with the power tool or these instructions to operate the power tool.** Power tools are dangerous in the hands of untrained users.
- e) **Maintain power tools. Check for misalignment or binding of moving parts, breakage of parts and any other condition that may affect the power tool's operation. If damaged, have the power tool repaired before use.** Many accidents are caused by poorly maintained power tools.
- f) **Keep cutting tools sharp and clean.** Properly maintained cutting tools with sharp cutting edges are less likely to bind and are easier to control.
- g) **Use the power tool, accessories and tool bits, etc. in accordance with these instructions, taking**



**into account the working conditions and the work to be performed.** Use of the power tool for operations different from those intended could result in a hazardous situation.

## 5) Service

- a) **Have your power tool serviced by a qualified repair person using only identical replacement parts.** This will ensure that the safety of the power tool is maintained.

## Specific Safety Rules for Rotary Hammers

- **Wear ear protectors.** Exposure to noise can cause hearing loss.
- **Use auxiliary handle(s), if supplied with the tool.** Loss of control can cause personal injury.
- **Hold power tool by insulated gripping surfaces, when performing an operation where the cutting accessory may contact hidden wiring.** Cutting accessory contacting a "live" wire may make exposed metal parts of the power tool "live" and could give the operator an electric shock.
- **Be certain that the material being drilled/demolished does not conceal electric or gas service and that their locations have been verified with the utility companies.**
- **Use clamps or other practical way to secure and support the workpiece to a stable platform.** Holding the work by hand or against your body is unstable and may lead to loss of control.
- **Wear safety goggles or other eye protection.** Hammering operations cause chips to fly. Flying particles can cause permanent eye damage. Wear a dust mask or respirator for applications that generate dust. Ear protection may be required for most applications.
- **Keep a firm grip on the tool at all times. Do not attempt to operate this tool without holding it with both hands.** Operating this tool with one hand will result in loss of control. Breaking through or encountering hard materials such as re-bar may be hazardous as well.

## Additional Safety Rules for Rotary Hammers


- **Do not operate this tool for long periods of time.** Vibration caused by hammer action may be harmful to your hands and arms. Use gloves to provide extra cushion and limit exposure by taking frequent rest periods.
- **Do not recondition bits yourself.** Chisel reconditioning should be done by an authorized specialist. Improperly reconditioned chisels could cause injury.
- **Accessories and tool may get hot during operation.** Wear gloves when handling them if performing heat producing applications such as hammerdrilling and drilling metals.
- **Never lay the tool down until the bit has come to a complete stop.** Moving bits could cause injury.

- **Do not strike jammed bits with a hammer to dislodge them.** Fragments of metal or material chips could dislodge and cause injury.
- **Slightly worn chisels can be resharpened by grinding.**
- **Do not overheat the bit (discoloration) while grinding a new edge.** Badly worn chisels require reforging. Do not reharden and temper the chisel.

## Additional Safety Information

 **WARNING: ALWAYS** use safety glasses. Everyday eyeglasses are NOT safety glasses. Also use face or dust mask if cutting operation is dusty. **ALWAYS WEAR CERTIFIED SAFETY EQUIPMENT:**


- ANSI Z87.1 eye protection (CAN/CSA Z94.3),
- ANSI S12.6 (S3.19) hearing protection,
- NIOSH/OSHA/MSHA respiratory protection.


 **WARNING:** Some dust created by power sanding, sawing, grinding, drilling, and other construction activities contains chemicals known to the State of California to cause cancer, birth defects or other reproductive harm. Some examples of these chemicals are:

- lead from lead-based paints,
- crystalline silica from bricks and cement and other masonry products, and
- arsenic and chromium from chemically-treated lumber.

Your risk from these exposures varies, depending on how often you do this type of work. To reduce your exposure to these chemicals: work in a well ventilated area, and work with approved safety equipment, such as those dust masks that are specially designed to filter out microscopic particles.

- **Avoid prolonged contact with dust from power sanding, sawing, grinding, drilling, and other construction activities. Wear protective clothing and wash exposed areas with soap and water.** Allowing dust to get into your mouth, eyes, or lay on the skin may promote absorption of harmful chemicals.

 **WARNING:** Use of this tool can generate and/or disperse dust, which may cause serious and permanent respiratory or other injury. Always use NIOSH/OSHA approved respiratory protection appropriate for the dust exposure. Direct particles away from face and body.

 **WARNING: Always wear proper personal hearing protection that conforms to ANSI S12.6 (S3.19) during use.** Under some conditions and duration of use, noise from this product may contribute to hearing loss.

- **Air vents often cover moving parts and should be avoided.** Loose clothes, jewelry or long hair can be caught in moving parts.
- **An extension cord must have adequate wire size (AWG or American Wire Gauge) for safety.** The smaller the gauge number of the wire, the greater the capacity of the cable, that is, 16 gauge has more capacity

**ENGLISH**

than 18 gauge. An undersized cord will cause a drop in line voltage resulting in loss of power and overheating. When using more than one extension to make up the total length, be sure each individual extension contains at least the minimum wire size. The following table shows the correct size to use depending on cord length and nameplate ampere rating. If in doubt, use the next heavier gauge. The lower the gauge number, the heavier the cord.

**Minimum Gauge for Cord Sets**

Volts		Total Length of Cord in Feet (meters)			
120 V		25 (7.6)	50 (15.2)	100 (30.5)	150 (45.7)
240 V		50 (15.2)	100 (30.5)	200 (61.0)	300 (91.4)
Ampere Rating More Than	Not More Than	American Wire Gauge			
		0	6	18	16
6	10	18	16	14	12
10	12	16	16	14	12
12	16	14	12	Not Recommended	

The label on your tool may include the following symbols. The symbols and their definitions are as follows:

- V ..... volts
- Hz ..... hertz
- min ..... minutes
- or DC ..... direct current
- Ⓢ ..... Class I Construction (grounded)
- .../min ..... per minute
- BPM ..... beats per minute
- IPM ..... impacts per minute
- RPM ..... revolutions per minute
- sfpm ..... surface feet per minute
- SPM ..... strokes per minute
- A ..... amperes
- W ..... watts
- ~ or AC ..... alternating current
- Ⓢ or AC/DC ..... alternating or direct current
- Ⓢ ..... Class II Construction (double insulated)
- n<sub>0</sub> ..... no load speed
- n ..... rated speed
- Ⓢ ..... earthing terminal
- ⚠ ..... safety alert symbol
- ⚠ ..... visible radiation
- Ⓢ ..... wear respiratory protection
- Ⓢ ..... wear eye protection
- Ⓢ ..... wear hearing protection
- Ⓢ ..... read all documentation

**SAVE THESE INSTRUCTIONS FOR FUTURE USE**

**Motor**

Be sure your power supply agrees with the nameplate marking. Voltage decrease of more than 10% will cause loss of power and overheating. DeWALT tools are factory tested; if this tool does not operate, check power supply.

**SPECIFICATIONS**

	D25733	D25773
Rated Size	1-7/8" (47.6 mm)	2" (50.8 mm)
Tool Holder	SDS MAX	SDS MAX
Amps	15 A	15 A

**SPECIFICATIONS**

	D25733	D25773
Impact Energy in Joules(EPTA)	13.3 J	19.4 J
No-Load RPM	177–355	145–290
No-Load BPM	1350–2705	1105–2210
Optimum Drilling Range	3/4"–1-3/4" (19 mm–45 mm)	7/8"–1-7/8" (22 mm–48 mm)
Max. Diameter Core	5" (125 mm)	6" (150 mm)
Rotation Control	E-Clutch®	E-Clutch®
Weight	20.9 Lbs. (9.5 kg)	23.4 Lbs. (10.6 kg)
Length	21.4" (54.3 cm)	23.3" (59.1 cm)
Width	4.5" (11.3 cm)	4.5" (11.3 cm)
Height	11.5" (29.2 cm)	11.5" (29.2 cm)
Vibration Control	SHOCKS®	SHOCKS®
Chipping	Yes	Yes
Variable Speed Dial	Yes	Yes
Variable Speed Dial Positions	7	7
Dust Extraction Model #	DWH053 / DWH050 / DeWALT Hollow Drill Bits	DWH053 / DWH050 / DeWALT Hollow Drill Bits
Noise Values [dB(A)]		
L <sub>pA</sub> (Emission Sound Pressure Level)	98	100
L <sub>WA</sub> (Sound Power Level)	109	111
K (Uncertainty of Given Sound Level)	3	3
Vibration Values (m/s <sup>2</sup> )		
Drilling into Concrete (Value a <sub>h,HD</sub> )	9.6	12.4
Uncertainty K	1.5	1.5
Chipping/Chiselling (Value a <sub>h,Cheq</sub> )	9.0	11.7
Uncertainty K	1.5	1.5

**COMPONENTS (FIG. A)**

**WARNING:** Never modify the power tool or any part of it. Damage or personal injury could result.

Refer to Figure A at the beginning of this manual for a complete list of components.

**Intended Use**

Your heavy-duty rotary hammer is designed for professional concrete drilling and chiseling applications.

**DO NOT** use under wet conditions or in presence of flammable liquids or gases.

Your heavy-duty rotary hammer is a professional power tool.

**DO NOT** let children come into contact with the tool.

Supervision is required when inexperienced operators use this tool.

## ASSEMBLY AND ADJUSTMENTS

- ⚠ WARNING:** To reduce the risk of serious personal injury, turn unit off and disconnect it from power source before making any adjustments or removing/installing attachments or accessories. An accidental start-up can cause injury.

### Side Handle (Fig. B)

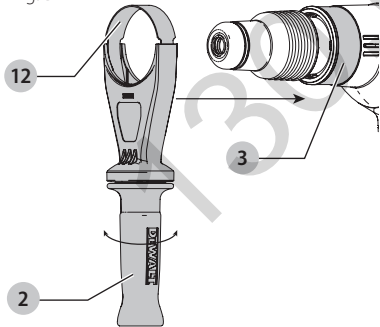
- ⚠ WARNING:** To reduce the risk of personal injury, ALWAYS operate the tool with the side handle properly installed. Failure to do so may result in the side handle slipping during tool operation and subsequent loss of control. Hold tool with both hands to maximize control.

The side handle **2** clamps to the front of the gear case and may be rotated 360° to permit right- or left-hand use.

### Mounting the Straight Side Handle (Fig. B)

1. Widen the ring opening of the side handle **2** by rotating it counter clockwise.
2. Slide the assembly onto the nose of the tool, placing the steel ring **12** onto the collar **3**, past the bit holder and sleeve.
3. Rotate the side handle assembly to the desired position. For hammerdrilling horizontally with a heavy drill bit, place the side handle assembly at an angle of approximately 20° to the tool for optimum control.
4. Lock the side handle mounting assembly in place by securely tightening the handle **2** rotating it clockwise so that the assembly will not rotate.

Fig. B



### Bit and Bit Holder

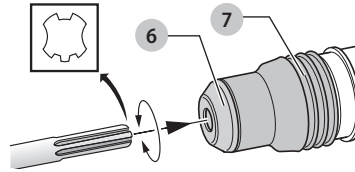
- ⚠ WARNING:** Burn Hazard. ALWAYS wear gloves when changing bits. Accessible metal parts on the tool and bits may get extremely hot during operation. Small bits of broken material may damage bare hands.
- ⚠ WARNING:** Do not attempt to tighten or loosen drill bits (or any other accessory) by gripping the front part of the chuck and turning the tool on. Damage to the chuck and personal injury may occur.

The rotary hammer can be fitted with various chisel bits depending on the desired application. **Use sharp drill bits only.**

### Inserting and Removing SDS MAX Bits (Fig. C)

1. Insert bit in the bit holder **6** and apply downward pressure while rotating to secure the bit into place. The bit shank must be clean.
2. Ensure the bit is properly engaged.  
**NOTE:** The bit needs to move several centimeters in and out of the bit holder **6** when properly engaged.

Fig. C



3. To remove the bit, pull back the locking sleeve **7** and pull the bit out.

## OPERATION

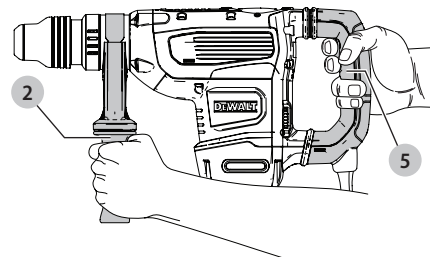
- ⚠ WARNING:** To reduce the risk of serious personal injury, turn unit off and disconnect it from power source before making any adjustments or removing/installing attachments or accessories. An accidental start-up can cause injury.

### Proper Hand Position (Fig. D)

- ⚠ WARNING:** To reduce the risk of serious personal injury, ALWAYS use proper hand position as shown.
- ⚠ WARNING:** To reduce the risk of serious personal injury, ALWAYS hold securely in anticipation of a sudden reaction.

Proper hand position requires one hand on the mounted side handle **2**, with the other hand on the main handle **5**.

Fig. D



### SHOCKS Active Vibration Control® System

For best vibration control, hold the tool as described in **Proper Hand Position** and apply just enough pressure so the damping device on the main handle is approximately mid stroke. The hammer only needs enough pressure to engage the active vibration control. Applying too much pressure will not make the tool actuate faster and active vibration control will not engage.



## DEWALT Tool Tag Ready (Fig. A)

### Optional Accessory

Your hammer comes with mounting holes **11** and fasteners for installing a DEWALT Tool Tag. You will need a T15 bit tip to install the tag. Only use the screws provided. The DEWALT Tool Tag is designed for tracking and locating professional power tools, equipment, and machines using the DEWALT Tool Connect™ app. For proper installation and use of the DEWALT Tool Tag refer to the DEWALT Tool Tag manual.

### Lock-On Button (Fig. A)

#### Chipping mode only

The lock-on button **8** offers increased comfort in extended use applications. To lock the tool on, depress the lock-on button while the tool is running. The tool will continue to run after the switch is released. To unlock and turn off the tool, depress and release the switch.

**NOTE:** The lock-on button will not function in drilling mode.

### Electronic Speed and Impact Control (Fig. A)

The electronic speed and impact control allows the use of smaller drill bits without the risk of bit breakage, hammerdrilling into light and brittle materials without shattering and optimal tool control for precise chiseling. To set the speed dial **9**, turn the dial to the desired level. The higher the number, the greater the speed and impact energy. Dial settings make the tool extremely flexible and adaptable for many different applications. The required setting depends on the bit size and hardness of material being drilled.

### Overload Clutch

In case of jamming of a drill bit, the drive to the drill spindle is interrupted by the overload clutch. Due to the resulting forces, always hold the tool with both hands and take a firm stance. After the overload, release and depress the trigger to re-engage drive.

**WARNING:** Drill may stall if overloaded causing a sudden twist. Always expect the stall. Grip the drill firmly to control the twisting action and avoid injury.

### E-Clutch® System (Fig. A)

In addition to the integral (mechanical) clutch, the DEWALT anti-rotation E-Clutch® system, offers technology capable of detecting the motion of the tool. This feature senses the motion of the tool and shuts it down if necessary. The red indicator LED **10** illuminates when the E-Clutch® System is engaged.

### E-Clutch® and Service Indicator LEDs (Fig. A)

Your rotary hammer has two LEDs **10**, indicating the E-Clutch® (ADC) function and a service indicator. Refer to the table for more information on LED functionality.




LED Function	Description
<b>Red (flashing)</b>	<b>Lock-on/Service</b> The red indicator LED <b>10</b> lights up if the lock-on button <b>8</b> is used in any mode except the chipping mode or if there is a fault with the tool or the brushes have completely worn out
<b>Red (permanently on)</b>	<b>E-Clutch®</b> E-Clutch® is engaged.
<b>Yellow (permanently on)</b>	<b>Brush Service</b> The yellow brushwear indicator LED <b>10</b> lights up when the carbon brushes are nearly worn out, indicating that the tool needs servicing within the next 8 hours of use.

### Operation Modes (Fig. E)

**WARNING:** Do not select the operating mode when the tool is running.

**CAUTION:** Never use in Rotary Drilling or Rotary Hammering mode with a chisel bit in the bit holder. Personal injury and damage to the tool may result.

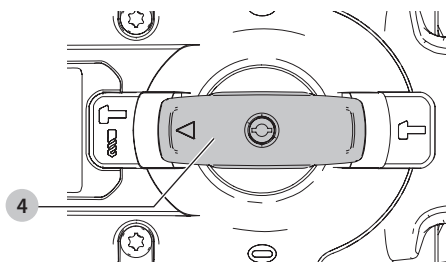
Your tool is equipped with a mode selector dial **4** to select the mode appropriate to desired operation.

Symbol	Mode	Application
	<b>Rotary Hammering</b>	Drilling into concrete and masonry
	<b>Hammering only</b>	Light chipping
	<b>Bit Adjustment</b>	Chisel bit position adjustment

### To select an operating mode

- Rotate the mode selector dial **4** so that the arrow points to the symbol corresponding for the desired mode.

Fig. E



**NOTE:** The arrow on the mode selector dial **4** must be pointing at a mode symbol at all times. It may be necessary to briefly run the motor after having changed

from 'hammering only' to 'rotary' modes in order to align the gears or to position the chisel bit.

### Indexing the Chisel Position (Fig. A)

The chisel can be indexed and locked into 24 different positions.

1. Rotate the mode selector switch 4 until it points towards the 0 position.
2. Rotate the chisel in the desired position.
3. Set the mode selector switch 4 to the "Hammering Only" position.
4. Twist the chisel until it locks in position.

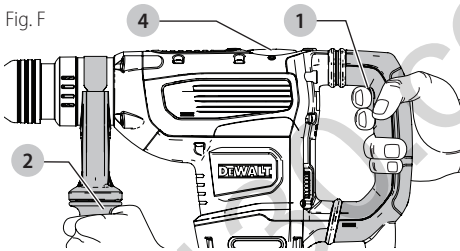
### Performing an Application (Fig. A, F)

**WARNING: TO REDUCE THE RISK OF PERSONAL INJURY, ALWAYS ensure workpiece is anchored or clamped firmly. If drilling thin material, use a wood "back-up" block to prevent damage to the material.**

**WARNING: Always wait until the motor has come to a complete standstill before changing the direction of rotation.**

1. Choose and install the appropriate chuck, adapter, and/or bit onto the tool. Refer to **Bit and Bit Holder**.
2. Using the mode selector dial 4, select the mode appropriate to desired application. Refer to **Operation Modes**.
3. Adjust the side handle 2 as necessary.

Fig. F



4. Place the bit/chisel on the desired location.
5. Depress the trigger switch 1.
6. To stop the hammer, release the switch.

### Recommendations for Tool Operation

- Large (5/16" to 1/2" [7.9 mm to 12.7 mm]) holes in steel can be made easier if a pilot hole (5/32" to 3/16" [4 mm to 4.8 mm]) is drilled first.
- When drilling, always apply pressure in a straight line with the bit, but do not push hard enough to stall the motor or deflect the bit. A smooth even flow of material indicates the proper drilling rate.
- If drilling thin material or material that is prone to splinter, use a wood "back-up" block to prevent damage to the work piece.

**WARNING:**

- Do not use this tool to mix or pump easily combustible or explosive fluids (benzene, alcohol, etc.).

- Do not mix or stir inflammable liquids labelled accordingly.

### MAINTENANCE

**WARNING: To reduce the risk of serious personal injury, turn unit off and disconnect it from power source before making any adjustments or removing/installing attachments or accessories. An accidental start-up can cause injury.**

### Cleaning

**WARNING: Blow dirt and dust out of all air vents with clean, dry air at least once a week. To minimize the risk of eye injury, always wear ANSI Z87.1 approved eye protection when performing this.**

**WARNING: Never use solvents or other harsh chemicals for cleaning the non-metallic parts of the tool. These chemicals may weaken the plastic materials used in these parts. Use a cloth dampened only with water and mild soap. Never let any liquid get inside the tool; never immerse any part of the tool into a liquid.**

### Accessories

**WARNING: Since accessories, other than those offered by DeWALT, have not been tested with this product, use of such accessories with this tool could be hazardous. To reduce the risk of injury, only DeWALT recommended accessories should be used with this product.**

Recommended accessories for use with your tool are available at extra cost from your local dealer or authorized service center. If you need assistance in locating any accessory, please contact DeWALT Industrial Tool Co., 701 East Joppa Road, Towson, MD 21286, call 1-800-4-DeWALT (1-800-433-9258) or visit our website: [www.dewalt.com](http://www.dewalt.com).

Various types of SDS Max drill bits and chisels are available as an option. Accessories and attachments used must be regularly lubricated around the SDS Max fitment.

### Repairs

**WARNING: To assure product SAFETY and RELIABILITY, repairs, maintenance and adjustment (including brush inspection and replacement, when applicable) should be performed by a DeWALT factory service center or a DeWALT authorized service center. Always use identical replacement parts.**

### Register Online

Thank you for your purchase. Register your product now for:

- **WARRANTY SERVICE:** Registering your product will help you obtain more efficient warranty service in case there is a problem with your product.
- **CONFIRMATION OF OWNERSHIP:** In case of an insurance loss, such as fire, flood or theft, your registration of ownership will serve as your proof of purchase.

## ENGLISH

- **FOR YOUR SAFETY:** Registering your product will allow us to contact you in the unlikely event a safety notification is required under the Federal Consumer Safety Act.

Register online at [www.dewalt.com/register](http://www.dewalt.com/register).

### Three Year Limited Warranty

DeWALT will repair, without charge, any defects due to faulty materials or workmanship for three years from the date of purchase. This warranty does not cover part failure due to normal wear or tool abuse. For further detail of warranty coverage and warranty repair information, visit [www.dewalt.com](http://www.dewalt.com) or call 1-800-4-DeWALT (1-800-433-9258). This warranty does not apply to accessories or damage caused where repairs have been made or attempted by others. **THIS LIMITED WARRANTY IS GIVEN IN LIEU OF ALL OTHERS, INCLUDING THE IMPLIED WARRANTY OF MERCHANTABILITY AND FITNESS FOR A PARTICULAR PURPOSE, AND EXCLUDES ALL INCIDENTAL OR CONSEQUENTIAL DAMAGES.** Some states do not allow limitations on how long an implied warranty lasts or the exclusion or limitation of incidental or consequential damages, so these limitations may not apply to you. This

warranty gives you specific legal rights and you may have other rights which vary in certain states or provinces.

In addition to the warranty, DeWALT tools are covered by our:

#### 2 YEARS FREE SERVICE

DeWALT will maintain the tool and replace worn parts caused by normal use, for free, any time during the first two years after purchase.

#### 90 DAY MONEY BACK GUARANTEE

If you are not completely satisfied with the performance of your DeWALT Power Tool, Laser, or Nailer for any reason, you can return it within 90 days from the date of purchase with a receipt for a full refund – no questions asked.

**LATIN AMERICA:** This warranty does not apply to products sold in Latin America. For products sold in Latin America, see country specific warranty information contained in the packaging, call the local company or see website for warranty information.

**FREE WARNING LABEL REPLACEMENT:** If your warning labels become illegible or are missing, call 1-800-4-DeWALT (1-800-433-9258) for a free replacement.

## TROUBLESHOOTING GUIDE

### BE SURE TO FOLLOW SAFETY RULES AND INSTRUCTIONS

For assistance with your product, visit our website at [www.dewalt.com](http://www.dewalt.com) for a list of service centers, or call DeWALT at 1-800-4-DeWALT (1-800-433-9258).

PROBLEM	POSSIBLE CAUSE	SOLUTION
Tool will not start.	The extension cord and/or plug is defective.	Have the extension cord and/or plug checked by a qualified electrician and replaced if necessary.
	Internal components too hot.	Allow tool to cool down.
	Brushes worn out.	Have brushes replaced by an authorized DeWALT service center.
Reduced Power	The extension cord is too long and/or its gauge is inadequate.	Use an extension cord of an approved length and/or of adequate gauge.
	The speed dial is set to a lower setting.	Rotate the speed dial to a higher setting suitable for the application.
	The voltage provided by the electric supply is inadequate.	Connect the hammer to an adequate electric supply.
The bit does not rotate.	The mode selector dial is not correctly engaged, or is set to "Hammering Only" or is set to position "0".	Rotate the mode selector dial to "Rotary Hammering". Refer to <b>Operation Modes</b> .
The bit cannot be released.	The chuck is not pulled back fully.	Pull the chuck back as far as it will go and remove the bit. Refer to <b>Inserting and Removing SDS MAX Bits</b> .
The yellow or red service indicator lights are on or flashing.	The carbon brushes are nearly worn or the time for service has been reached.	Have tool service performed by an authorized DeWALT service center. Refer to <b>E-Clutch® and Service Indicator LEDs</b> .

## Définitions : symboles et termes d'alarmes sécurité

Ces guides d'utilisation utilisent les symboles et termes d'alarmes sécurité suivants pour vous prévenir de situations dangereuses et de risques de dommages corporels ou matériels.



**DANGER** : indique une situation dangereuse imminente qui, si elle n'est pas évitée, **entraînera la mort ou des blessures graves**.



**AVERTISSEMENT** : indique une situation potentiellement dangereuse qui, si elle n'est pas évitée, **pourrait entraîner la mort ou des blessures graves**.



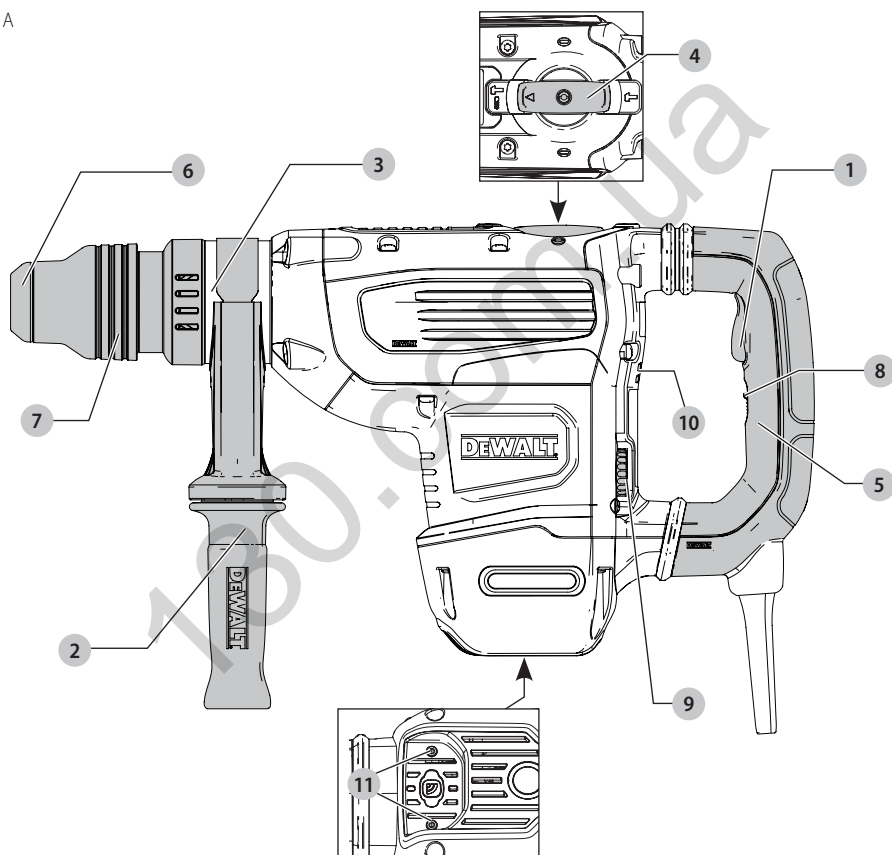
**ATTENTION** : indique une situation potentiellement dangereuse qui, si elle n'est pas évitée, **pourrait entraîner des blessures légères ou modérées**.



(Si utilisé sans aucun terme) Indique un message propre à la sécurité.

**AVIS** : indique une pratique ne posant **aucun risque de dommages corporels** mais qui par contre, si rien n'est fait pour l'éviter, **pourrait poser des risques de dommages matériels**.

Fig. A



- |                               |  |
|-------------------------------|--|
| 1 Gâchette                    | 7 Manchon  |
| 2 Poignée latérale            | 8 Bouton de verrouillage                                     |
| 3 Barillet avant (collier)    | 9 Cadran de vitesses   |
| 4 Cadran de sélection de mode | 10 Voyants DEL jaune des brosses et d'E-Clutch <sup>MD</sup> |
| 5 Poignée principale          | 11 Trous de montage de la balise de l'outil DEWALT           |
| 6 Porte-embout                |  |



**AVERTISSEMENT! lire tous les avertissements de sécurité et toutes les directives.** Le non-respect des avertissements et des directives pourrait se solder par un choc électrique, un incendie et/ou une blessure grave.



**AVERTISSEMENT** : afin de réduire le risque de blessures, lire le mode d'emploi de l'outil.

Pour toute question ou remarque au sujet de cet outil ou de tout autre outil DEWALT, composez le numéro sans frais : 1-800-4-DEWALT (1-800-433-9258).

## AVERTISSEMENTS DE SÉCURITÉ GÉNÉRAUX POUR LES OUTILS ÉLECTRIQUES

**!** **AVERTISSEMENT!** lire tous les avertissements de **sécurité et toutes les directives**. Le non-respect des avertissements et des directives pourrait se solder par un choc électrique, un incendie et/ou une blessure grave.

### CONSERVER TOUS LES AVERTISSEMENTS ET TOUTES LES DIRECTIVES POUR UN USAGE ULTÉRIEUR

Le terme « outil électrique » cité dans les avertissements se rapporte à votre outil électrique à alimentation sur secteur (avec fil) ou par piles (sans fil).

#### 1) Sécurité du lieu de travail

- Tenir l'aire de travail propre et bien éclairée.**  
Les lieux encombrés ou sombres sont propices aux accidents.
- Ne pas faire fonctionner d'outils électriques dans un milieu déflamant, tel qu'en présence de liquides, de gaz ou de poussières inflammables.**  
Les outils électriques produisent des étincelles qui pourraient enflammer la poussière ou les vapeurs.
- Éloigner les enfants et les personnes à proximité pendant l'utilisation d'un outil électrique.** Une distraction pourrait en faire perdre la maîtrise à l'utilisateur.

#### 2) Sécurité en matière d'électricité

- Les fiches des outils électriques doivent correspondre à la prise. Ne jamais modifier la fiche d'aucune façon. Ne jamais utiliser de fiche d'adaptation avec un outil électrique mis à la terre.** Le risque de choc électrique sera réduit par l'utilisation de fiches non modifiées correspondant à la prise.
- Éviter tout contact physique avec des surfaces mises à la terre comme des tuyaux, des radiateurs, des cuisinières et des réfrigérateurs.** Le risque de choc électrique est plus élevé si votre corps est mis à la terre.
- Ne pas exposer les outils électriques à la pluie ou à l'humidité.** La pénétration de l'eau dans un outil électrique augmente le risque de choc électrique.
- Ne pas utiliser le cordon de façon abusive. Ne jamais utiliser le cordon pour transporter, tirer ou débrancher un outil électrique. Tenir le cordon éloigné de la chaleur, de l'huile, des bords tranchants et des pièces mobiles.** Les cordons endommagés ou enchevêtrés augmentent les risques de choc électrique.
- Pour l'utilisation d'un outil électrique à l'extérieur, se servir d'une rallonge convenant à cette application.** L'utilisation d'une rallonge conçue pour l'extérieur réduira les risques de choc électrique.

- S'il est impossible d'éviter l'utilisation d'un outil électrique dans un endroit humide, brancher l'outil dans une prise ou sur un circuit d'alimentation dotés d'un disjoncteur de fuite à la terre (GFCI).** L'utilisation de ce type de disjoncteur réduit les risques de choc électrique.

#### 3) Sécurité personnelle

- Être vigilant, surveiller le travail effectué et faire preuve de jugement lorsqu'un outil électrique est utilisé. Ne pas utiliser d'outil électrique en cas de fatigue ou sous l'influence de drogues, d'alcool ou de médicaments.** Un simple moment d'inattention en utilisant un outil électrique peut entraîner des blessures corporelles graves.
- Utiliser des équipements de protection individuelle. Toujours porter une protection oculaire.** L'utilisation d'équipements de protection comme un masque antipoussière, des chaussures antidérapantes, un casque de sécurité ou des protecteurs auditifs lorsque la situation le requiert réduira les risques de blessures corporelles.
- Empêcher les démarrages intempestifs. S'assurer que l'interrupteur se trouve à la position d'arrêt avant de relier l'outil à une source d'alimentation et/ou d'insérer un bloc-piles, de ramasser ou de transporter l'outil.** Transporter un outil électrique alors que le doigt repose sur l'interrupteur ou brancher un outil électrique dont l'interrupteur est à la position de marche risque de provoquer un accident.
- Retirer toute clé de réglage ou clé avant de démarrer l'outil.** Une clé ou une clé de réglage attachée à une partie pivotante de l'outil électrique peut provoquer des blessures corporelles.
- Ne pas trop tendre les bras. Conserver son équilibre en tout temps.** Cela permet de mieux maîtriser l'outil électrique dans les situations imprévues.
- S'habiller de manière appropriée. Ne pas porter de vêtements amples ni de bijoux. Garder les cheveux, les vêtements et les gants à l'écart des pièces mobiles.** Les vêtements amples, les bijoux ou les cheveux longs risquent de rester coincés dans les pièces mobiles.
- Si des composants sont fournis pour le raccordement de dispositifs de dépoussiérage et de ramassage, s'assurer que ceux-ci sont bien raccordés et utilisés.** L'utilisation d'un dispositif de dépoussiérage peut réduire les dangers engendrés par les poussières.

#### 4) Utilisation et entretien d'un outil électrique

- Ne pas forcer un outil électrique. Utiliser l'outil électrique approprié à l'application.** L'outil électrique approprié effectuera un meilleur travail, de façon plus sûre et à la vitesse pour laquelle il a été conçu.



- b) **Ne pas utiliser un outil électrique dont l'interrupteur est défectueux.** Tout outil électrique dont l'interrupteur est défectueux est dangereux et doit être réparé.
- c) **Débrancher la fiche de la source d'alimentation et/ou du bloc-piles de l'outil électrique avant de faire tout réglage ou changement d'accessoire ou avant de ranger l'outil.** Ces mesures préventives réduisent les risques de démarrage accidentel de l'outil électrique.
- d) **Ranger les outils électriques hors de la portée des enfants et ne permettre à aucune personne n'étant pas familière avec un outil électrique ou son mode d'emploi d'utiliser cet outil.** Les outils électriques deviennent dangereux entre les mains d'utilisateurs inexpérimentés.
- e) **Entretien des outils électriques. Vérifier si les pièces mobiles sont mal alignées ou coincées, si des pièces sont brisées ou présentent toute autre condition susceptible de nuire au bon fonctionnement de l'outil électrique. En cas de dommage, faire réparer l'outil électrique avant toute nouvelle utilisation.** Beaucoup d'accidents sont causés par des outils électriques mal entretenus.
- f) **S'assurer que les outils de coupe sont aiguisés et propres.** Les outils de coupe bien entretenus et affûtés sont moins susceptibles de se coincer et sont plus faciles à maîtriser.
- g) **Utiliser l'outil électrique, les accessoires, les forets, etc. conformément aux présentes directives en tenant compte des conditions de travail et du travail à effectuer.** L'utilisation d'un outil électrique pour toute opération autre que celle pour laquelle il a été conçu est dangereuse.

## 5) Réparation

- a) **Faire réparer l'outil électrique par un réparateur professionnel en n'utilisant que des pièces de rechange identiques.** Cela permettra de maintenir une utilisation sécuritaire de l'outil électrique.

## Règles de sécurité particulières pour marteaux rotatifs

- **Porter une protection auditive.** L'exposition au bruit peut causer une perte de l'acuité auditive.
- **Utiliser toute poignée auxiliaire fournie avec l'outil.** Toute perte de contrôle de l'outil poserait des risques de dommages corporels.
- **Tenir l'outil électrique par les surfaces de prise isolées pour effectuer un travail où un organe de coupe pourrait rencontrer des câblages cachés.** Tout contact de l'organe de coupe avec un fil sous tension mettra les parties métalliques exposées de l'outil électrique sous tension et électrocutera l'utilisateur.
- **Assurez-vous que le matériau étant percé/démoli ne dissimule pas une alimentation en gaz ou en électricité et que leurs emplacements ont été vérifiés auprès des entreprises des services publics.**

- **Utiliser des serre-joints ou tout autre moyen pour fixer et immobiliser le matériau sur une surface stable.** Tenir la pièce à la main ou contre son corps offre une stabilité insuffisante qui pourrait vous en faire perdre le contrôle.
- **Porter des lunettes de protection ou toute autre protection oculaire.** Le martelage produit des débris dans l'air. Et ces particules posent des risques de dommages oculaires permanents. Porter un masque anti-poussière ou un appareil de protection des voies respiratoires lors d'applications produisant de la poussière. Une protection auditive pourra être nécessaire pour la plupart des applications.
- **Maintenir systématiquement l'outil fermement. Ne jamais utiliser l'outil sans le maintenir à deux mains.** Le maintenir à une main provoquera la perte de contrôle de l'outil. Traverser soudainement une paroi ou rencontrer des matériaux durs, comme des armatures, pose également des risques.

## Règles de sécurité supplémentaires pour marteaux rotatifs

- **Ne pas utiliser cet outil de façon prolongée.** Les vibrations causées par le martelage peuvent être nocives pour les mains ou les bras. Porter des gants pour amortir les chocs, et limiter le temps de travail en faisant des pauses fréquentes.
- **Ne pas réusinier les embouts soi-même.** Le réusinage des burins ne doit être effectué que par un spécialiste agréé. Des burins réusinés incorrectement posent des risques de dommages corporels.
- **Les accessoires et l'outil pourront chauffer pendant l'utilisation.** Porter des gants pendant leur utilisation pour effectuer des travaux produisant beaucoup de chaleur comme le perçage à percussion et le perçage des métaux.
- **Attendre systématiquement l'arrêt complet de l'embout avant de déposer l'outil où que ce soit.** Manipuler des embouts pose des risques de dommages corporels.
- **Ne pas taper avec un marteau sur un embout grippé pour le déloger.** Des fragments de métal ou des débris pourraient s'échapper et causer des dommages corporels.
- **Des burins légèrement émoussés peuvent être affûtés par meulage.**
- **Ne pas surchauffer l'embout (décoloration) pendant le réaffûtage.** Les burins très émoussés doivent être réusinés. Ne pas retremper ou traiter par recuit un burin.

## Consigne de sécurité supplémentaire



**AVERTISSEMENT :** porter **SYSTEMATIQUEMENT** des lunettes de protection. Les lunettes courantes NE sont PAS des lunettes de protection. Utiliser aussi un masque antipoussières si la découpe doit en produire beaucoup. **PORTER SYSTEMATIQUEMENT UN ÉQUIPEMENT DE SÉCURITÉ HOMOLOGUÉ :**

- Protection oculaire ANSI Z87.1 (CAN/CSA Z94.3) ;
- Protection auditive ANSI S12.6 (S3.19) ;

## FRANÇAIS

- Protection des voies respiratoires NIOSH/OSHA/MSHA.



**AVERTISSEMENT :** les scies, meules, ponceuses, perceuses ou autres outils de construction peuvent produire des poussières contenant des produits chimiques reconnus par l'État californien pour causer cancers, malformations congénitales ou être nocifs au système reproducteur. Parmi ces produits chimiques, on retrouve :

- Le plomb dans les peintures à base de plomb ;
- La silice cristallisée dans les briques et le ciment, ou autres produits de maçonnerie ; et
- L'arsenic et le chrome dans le bois ayant subi un traitement chimique.

Le risque associé à de telles expositions varie selon la fréquence à laquelle on effectue ces travaux. Pour réduire toute exposition à ces produits : travailler dans un endroit bien aéré, en utilisant du matériel de sécurité homologué, tel un masque antipoussières spécialement conçu pour filtrer les particules microscopiques.

- **Limiter toute exposition prolongée avec les poussières provenant du ponçage, sciage, meulage, perçage ou toute autre activité de construction. Porter des vêtements de protection et nettoyer à l'eau savonneuse les parties du corps exposées.** Le fait de laisser la poussière pénétrer dans la bouche, les yeux ou la peau peut favoriser l'absorption de produits chimiques dangereux.



**AVERTISSEMENT :** cet outil peut produire et/ou répandre de la poussière susceptible de causer des dommages sérieux et permanents au système respiratoire. Utiliser systématiquement un appareil de protection des voies respiratoires homologué par le NIOSH ou l'OSHA. Diriger les particules dans le sens opposé au visage et au corps.



**AVERTISSEMENT :** pendant l'utilisation, porter systématiquement une protection auditive individuelle adéquate homologuée ANSI S12.6 (S3.19). Sous certaines conditions et suivant la durée d'utilisation, le bruit émanant de ce produit pourrait contribuer à une perte de l'acuité auditive.













- **Prendre des précautions à proximité des événements, car ils cachent des pièces mobiles.** Vêtements amples, bijoux ou cheveux longs risquent de rester coincés dans ces pièces mobiles.
- **Pour la sécurité de l'utilisateur, utiliser une rallonge de calibre adéquat (AWG, American Wire Gauge [calibrage américain normalisé des fils électriques]).** Plus le calibre est petit, et plus sa capacité est grande. Un calibre 16, par exemple, a une capacité supérieure à un calibre 18. L'usage d'une rallonge de calibre insuffisant causera une chute de tension qui entraînera perte de puissance et surchauffe. Si plus d'une rallonge est utilisée pour obtenir une certaine longueur, s'assurer que chaque rallonge présente au moins le calibre de fil minimum. Le tableau ci-dessous illustre les calibres à utiliser selon la longueur de rallonge et l'intensité nominale indiquée sur la plaque signalétique. En cas de doute, utiliser le calibre

suivant. Plus le calibre est petit, plus la rallonge peut supporter de courant.

### Calibre minimum pour les cordons d'alimentation

Volts	Longueur totale du cordon d'alimentation en mètre (pieds)				
	120 V	7,6 (25)	15,2 (50)	30,5 (100)	45,7 (150)
240 V	15,2 (50)	30,5 (100)	61,0 (200)	91,4 (300)	
Ampères		AWG			
Plus que	Pas plus que				
0	6	18	16	16	14
6	10	18	16	14	12
10	12	16	16	14	12
12	16	14	12	Non recommandé	

L'étiquette apposée sur votre outil peut inclure les symboles suivants. Les symboles et leur définition sont indiqués ci-après :

V .....	volts		or AC.....	courant alternatif
Hz .....	hertz		or AC/DC.....	courant alternatif ou continu
min .....	minutes			fabrication classe II (double isolation)
	or DC.....			courant continu
				fabrication classe I (mis à la terre)
... /min.....	par minute	$n_0$		vitesse à vide
BPM .....	batttements par minute	$n$		vitesse nominale
IPM .....	impacts par minute			borne de terre
RPM .....	révolutions par minute			symbole d'avertissement
sfpM .....	pieds linéaires par minute (plpm)			radiation visible
SPM (FPM) .....	fréquence par minute			protection respiratoire
A .....	ampères			protection oculaire
W .....	watts			protection auditive
				lire toute la documentation

### CONSERVER CES CONSIGNES POUR UTILISATION ULTÉRIEURE

#### Moteur

S'assurer que le bloc d'alimentation est compatible avec l'inscription de la plaque signalétique. Une diminution de tension de plus de 10 % provoquera une perte de puissance et une surchauffe. Les outils DEWALT sont testés en usine ; si cet outil ne fonctionne pas, vérifier l'alimentation électrique.

#### CARACTÉRISTIQUES

	D25733	D25773
Taille classée	47,6 mm (1-7/8 po)	50,8 mm (2 po)
Support de l'outil	SDS MAX	SDS MAX
Ampères	15 A	15 A
Énergie de choc en joules (EPTA)	13,3 J	19,4 J
Tr/min à vide	177–355	145–290
BPM à vide	1350–2705	1105–2210
Plage de perçage optimale	19 mm à 45 mm (3/4 po à 1-3/4 po)	22 mm à 48 mm (7/8 po à 1-7/8 po)

## CARACTÉRISTIQUES

	D25733	D25773
Diamètre max. de l'âme	125 mm (5 po)	150 mm (6 po)
Contrôle de la rotation	E-Clutch <sup>MD</sup>	E-Clutch <sup>MD</sup>
Poids	9,5 kg (20,9 lb)	10,6 kg (23,4 lb)
Longueur	54,3 cm (21,4 po)	59,1 cm (23,3 po)
Largeur	11,3 cm (4,5 po)	11,3 cm (4,5 po)
Hauteur	29,2 cm (11,5 po)	29,2 cm (11,5 po)
Contrôle de la vibration	SHOCKS <sup>MD</sup>	SHOCKS <sup>MD</sup>
Piquage	Oui	Oui
Cadran de vitesses variables	Oui	Oui
Position du cadran de vitesses variables	7	7
N° de modèle de dépoûssiérage	Mèche pour perçage creux DWH053/DWH050/DeWALT	Mèche pour perçage creux DWH053/DWH050/DeWALT

## Valeurs de bruit [dB(A)]

L <sub>pA</sub> (Niveau de pression acoustique d'émission)	98	100
L <sub>WA</sub> (Niveau de puissance sonore)	109	111
K (Incertitude du niveau sonore donné)	3	3

Valeurs de vibration (m/s<sup>2</sup>)

Percer dans le béton (Valeur a <sub>h,HD</sub> )	9,6	12,4
Incertitude K	1,5	1,5
Piquage/Ciselage (Valeur a <sub>h,Cheq</sub> )	9,0	11,7
Incertitude K	1,5	1,5

## DESCRIPTION (FIG. A)

**AVERTISSEMENT** : ne jamais modifier l'outil électrique ni aucun de ses composants, car il y a des risques de dommages corporels ou matériels.

Reportez-vous en Figure A au début de ce manuel pour obtenir la liste complète des composants.

## Usage Prévu

Votre marteau rotatif industriel a été conçu pour le perçage ou le burinage professionnel du béton.

**NE PAS** les utiliser en milieu ambiant humide ou en présence de liquides ou de gaz inflammables.

Votre marteau rotatif industriel est un outil électrique de professionnels.

**NE PAS** le laisser à la portée des enfants. Une supervision est nécessaire auprès de tout utilisateur non expérimenté.

## ASSEMBLAGE ET AJUSTEMENTS

**AVERTISSEMENT** : pour réduire le risque de blessures graves, éteindre l'outil et retirer le débrancher avant d'effectuer tout réglage et d'enlever ou d'installer tout accessoire. Un démarrage accidentel peut provoquer des blessures.

## Poignée latérale (Fig. B)

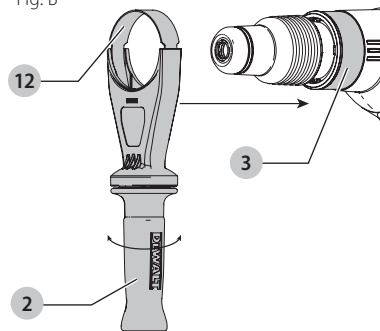
**AVERTISSEMENT** : pour réduire tout risque de dommages corporels, utiliser **SYSTÉMATIQUEMENT** l'outil avec sa poignée latérale installée correctement. Tout manquement à cette directive pourrait faire que la poignée latérale glisse pendant l'utilisation de l'outil et en faire perdre le contrôle. Maintenir l'outil fermement à deux mains pour un contrôle optimal.

La poignée latérale **2** s'accroche à l'avant du carter d'engrenage et peut effectuer une rotation à 360° pour permettre d'être utilisée par un gaucher ou un droitier.

## Installation de la poignée latérale droite (Fig. B)

1. Agrandissez l'ouverture de l'anneau de la poignée latérale **2** en le tournant vers la gauche.
2. Glissez l'assemblage dans le nez de l'outil, placez la bague en acier **12** sur le collier **3**, passez le porte-mèche et la douille.
3. Faites tourner le dispositif de la poignée latérale sur la position désirée. Pour le martelage-perforage horizontal avec un foret épais, placez le dispositif de la poignée latérale à un angle approximatif de 20° de l'outil pour optimiser le contrôle de ce dernier.
4. Verrouillez en place le dispositif de la poignée latérale en resserrant soigneusement la poignée **2** en la tournant vers la droite jusqu'à ce que le dispositif soit bloqué.

Fig. B



## Embout et porte-embout

**AVERTISSEMENT** : risques de brûlures. Utiliser **SYSTÉMATIQUEMENT** des gants pour changer les embouts. Les parties métalliques accessibles de l'outil et des embouts pourraient s'avérer brûlantes lors de l'utilisation. De petits débris de matériau pourraient aussi blesser les mains nues.

**AVERTISSEMENT** : ne pas essayer de resserrer ou desserrer les mèches (ou tout autre accessoire) en agrippant la partie avant du mandrin tout en mettant

## FRANÇAIS

*l'outil en marche. Cela pourrait endommager le mandrin et poser des risques de dommages corporels.*

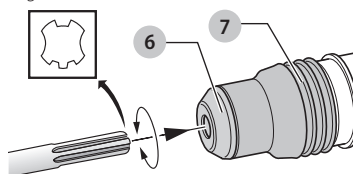
Le marteau rotatif peut recevoir différents burins suivant l'application désirée. **Utilisez seulement des embouts bien affûtés.**

### Insérer et retirer les mèches SDS MAX (Fig. C)

1. Insérez la mèche dans le porte-mèche 6 appliquez de la pression vers le bas en tournant afin de sécuriser la mèche en place. La mèche doit être propre.
2. Assurez-vous que la mèche est bien insérée.

**REMARQUE :** La mèche doit se déplacer de plusieurs centimètres à l'intérieur et à l'extérieur du porte-mèche 6 lorsqu'elle bien insérée.

Fig. C



3. Pour retirer la mèche, tirez le manchon de verrouillage 7 vers l'arrière et sortez la mèche.

## UTILISATION

**⚠ AVERTISSEMENT :** pour réduire le risque de blessures graves, éteindre l'outil et retirer le débrancher avant d'effectuer tout réglage et d'enlever ou d'installer tout accessoire. Un démarrage accidentel peut provoquer des blessures.

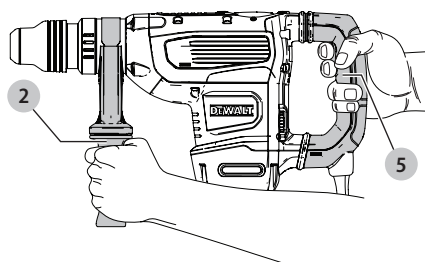
### Position correcte des mains (Fig. D)

**⚠ AVERTISSEMENT :** pour réduire tout risque de dommages corporels graves, adopter **SYSTÉMATIQUEMENT** la position des mains illustrée.

**⚠ AVERTISSEMENT :** pour réduire tout risque de dommages corporels graves, maintenir **SYSTÉMATIQUEMENT** l'outil fermement pour anticiper toute réaction soudaine.

La position correcte des mains requiert une main sur la poignée latérale 2 installée et l'autre sur la poignée principale 5.

Fig. D



### Système d'amortissement des vibrations SHOCKS®

Pour optimiser le contrôle des vibrations, maintenez l'outil comme expliqué à la section **Position correcte des**

**mains** et appliquez juste assez de pression de façon à ce que le dispositif amortisseur de vibrations sur la poignée principale se trouve à mi-course. Seule une quantité limitée de pression sur le marteau est nécessaire pour activer le système d'amortissement. Appliquer une pression excessive sur l'outil ne le fera pas travailler plus rapidement et préviendra l'activation du système anti-vibrations.

### Balise prête à utiliser de l'outil DEWALT (Fig. A)

#### Accessoire optionnel

Votre marteau vient avec des tours 11 et des fixations de montage pour l'installation de la balise de l'outil DEWALT. Vous aurez besoin d'une pointe de tournevis T15 pour installer la balise. Utilisez seulement les vis fournies. La balise de l'outil DEWALT est conçue pour suivre et localiser les outils électriques, l'équipement et les machines professionnels utilisant l'application DEWALT Tool Connect™. Pour une installation et une utilisation appropriées de la balise de l'outil DEWALT, consultez le guide de la balise de l'outil DEWALT.

### Bouton de verrouillage en position de marche (Fig. A)

#### Mode Piquage seulement

Le bouton de verrouillage 8 augmente le confort pour les usages intensifs. Pour verrouiller l'outil en marche, appuyez sur le bouton de verrouillage en position de marche alors que l'outil tourne. L'outil continuera de tourner lorsque l'interrupteur sera relâché. Pour déverrouiller et arrêter l'outil, appuyez sur la gâchette puis relâchez.

**REMARQUES :** Le bouton de verrouillage ne fonctionnera pas en mode perçage.

### Régulateur électronique de vitesse et d'impact (Fig. A)

Le régulateur électronique de vitesse et d'impact permet l'utilisation de mèches plus petites sans risquer de les briser, le perçage à percussion de matériaux légers ou fragiles sans les faire éclater, et l'optimisation du contrôle de l'outil pour le ciselage de précision.

Pour l'ajuster, tournez le cadran de vitesses 9 sur le niveau désiré. Plus le chiffre est élevé, plus la vitesse et l'énergie d'impact seront grandes. Les paramètres du régulateur rendent l'outil extrêmement flexible et adaptable à différentes applications. Le réglage requis dépendra de la taille de la mèche et de la dureté du matériau à percer.

### Limiteur de couple

Dans l'éventualité du grippage d'une mèche, l'entraînement de la broche sera interrompu par le limiteur de couple. À cause des forces en résultant, maintenez systématiquement l'outil à deux mains et une position ferme. Après une surcharge, relâchez puis appuyez sur la gâchette pour réactiver la transmission.

**⚠ AVERTISSEMENT :** la perceuse peut caler en cas de surcharge et causer une torsion soudaine. S'attendre systématiquement à un blocage. Maintenir

fermement la perceuse pour contrôler toute torsion et éviter tout risque de dommages corporels.

## Système E-Clutch<sup>MD</sup> (Fig. A)

En plus de l'embrayage mécanique intégral, le système E-Clutch<sup>MD</sup> de DEWALT, prévient la contre-réaction de l'outil en offrant une technologie capable de détecter le sens du couple sur le boîtier. Ce système détecte le déplacement de l'outil et l'arrête en cas de besoin. Lorsque le système E-Clutch<sup>MD</sup> est débrayé, le témoin DEL rouge 10 s'allume.

## Voyants DEL d'entretien et d'E-Clutch<sup>MD</sup> (Fig. A)

Votre marteau rotatif a deux voyants DEL 10, indiquant une fonction E-Clutch<sup>MD</sup> (ADC) et un voyant de service. Consultez le tableau pour de plus amples renseignements sur la fonctionnalité de voyants DEL.

Fonction du voyant DEL	Description
Rouge (clignotant)	<b>Verrouillage/Service</b> Le voyant DEL rouge 10 s'allume si le bouton de verrouillage 8 est utilisé dans un mode sauf le mode Piquage ou s'il y a un problème avec l'outil ou les brosses sont complètement usées
Rouge (toujours allumé)	<b>E-Clutch<sup>MD</sup></b> E-Clutch <sup>MD</sup> est enclenché.
Jaune (toujours allumé)	<b>Entretien des brosses</b> Le voyant DEL jaune 10 pour l'usure des brosses s'allume lorsque les brosses en carbone sont sur le point d'être trop usées, indiquant que l'outil doit être entretenu dans les prochaines 8 heures avant l'utilisation.

## Mode de fonctionnement (Fig. E)

**AVERTISSEMENT** : ne pas changer de mode de fonctionnement alors que l'outil tourne.

**ATTENTION** : ne jamais l'utiliser en mode de martelage rotatif ou perçage rotatif avec un burin dans le porte-embout, car cela pose des risques de dommages corporels ou matériels.

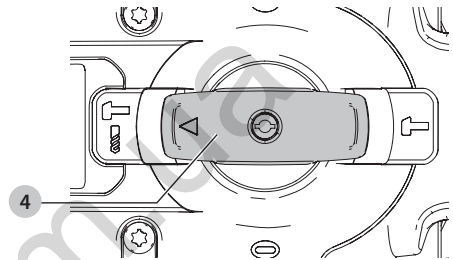
Votre outil est équipé d'un cadran de sélection de mode 4 pour choisir le mode approprié à l'utilisation désirée.

Symbole	Mode	Application
	<b>Martelage rotatif</b>	Perçage du béton et de la maçonnerie
	<b>Martelage seulement</b>	Burinage léger
	<b>Ajustement de la mèche</b>	Ajustement de la position de la mèche

## Pour choisir le mode de fonctionnement

- Tournez le cadran de sélection de mode 4 de façon à ce que la flèche pointe sur le symbole correspondant au mode désiré.

Fig. E



**REMARQUE** : la flèche sur le cadran de sélection de mode 4 doit systématiquement pointer sur un symbole de mode. Il n'existe aucune position d'utilisation entre les symboles. Il peut être nécessaire de faire fonctionner brièvement le moteur après avoir passé du mode « Martelage seulement » au mode « Rotatif » afin d'aligner le mécanisme ou de placer la mèche biseautée.

## Rotation de la position de la mèche (Fig. A)

La mèche peut être tournée et verrouillée dans 24 positions différentes.

1. Tournez le sélecteur de vitesse 4 du mode jusqu'à ce qu'il pointe vers la position.
2. Tournez la mèche dans la position désirée.
3. Réglez le sélecteur de vitesse 4 du mode dans la position « Martelage seulement ».
4. Tournez la mèche jusqu'à ce qu'elle se verrouille en place.

## Travailler sur une application (Fig. A, F)

**AVERTISSEMENT** : **POUR RÉDUIRE TOUT RISQUE DE DOMMAGES CORPORELS**, s'assurer **SYSTÉMATIQUEMENT** que la pièce est ancrée ou arrimée solidement. Pour percer des matériaux fins, utiliser un morceau de bois « de renfort » pour éviter de les endommager.

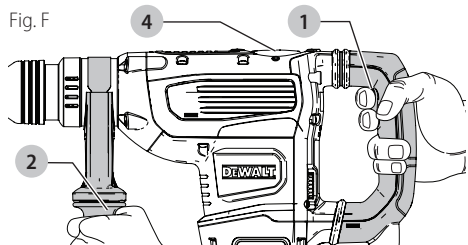
**AVERTISSEMENT** : attendre systématiquement l'arrêt complet du moteur avant de changer la direction de rotation.



## FRANÇAIS

1. Choisissez et installez le mandrin, l'adaptateur et/ou l'embout appropriés sur l'outil. Reportez-vous aux sections **Embouts et porte-embout**.
2. À l'aide du cadran de sélection de mode **4**, choisissez le mode approprié à l'application désirée. Reportez-vous à la section **Mode de fonctionnement**.
3. Ajustez la poignée latérale **2**, le cas échéant.

Fig. F



4. Placez l'embout/burin sur l'endroit désiré.
5. Appuyez sur la gâchette **1**.
6. Pour arrêter le marteau, relâchez la gâchette.

## Recommandations d'utilisation de l'outil

- Les trous larges [de 7,9 mm à 12,7 mm (5/16 po. à 1/2 po.)] dans l'acier peuvent être facilités si l'on perce d'abord un trou pilote [de 4 mm à 4,8 mm (5/32 po. à 3/16 po.)].
- Pour perforez, appliquez systématiquement une certaine pression tout en restant dans l'axe de l'embout, mais sans pousser excessivement pour éviter de bloquer le moteur ou dévier l'embout. Un jet fluide et régulier de débris sera indicateur d'une vitesse adéquate.
- Pour percer des matériaux fins enclins à éclater, utiliser un morceau de bois « de renfort » pour éviter de les endommager.



### AVERTISSEMENT :

- ne pas utiliser l'outil pour mélanger ou pomper tout liquide facilement combustible ou explosif (benzène, alcool, etc.).
- ne pas mélanger ou remuer des liquides classifiés inflammables.

## MAINTENANCE



**AVERTISSEMENT :** pour réduire le risque de blessures graves, éteindre l'outil et retirer le débrancher avant d'effectuer tout réglage et d'enlever ou d'installer tout accessoire. Un démarrage accidentel peut provoquer des blessures.

## Nettoyage



**AVERTISSEMENT :** enlever les saletés et la poussière hors des événements au moyen d'air comprimé propre et sec, au moins une fois par semaine. Pour minimiser le risque de blessure aux yeux, toujours porter une protection oculaire conforme à la norme ANSI Z87.1 lors du nettoyage.



**AVERTISSEMENT :** ne jamais utiliser de solvants ni d'autres produits chimiques puissants pour nettoyer les pièces non métalliques de l'outil. Ces produits chimiques peuvent affaiblir les matériaux de plastique utilisés dans ces pièces. Utiliser un chiffon humecté uniquement d'eau et de savon doux. Ne jamais laisser de liquide pénétrer dans l'outil et n'immerger aucune partie de l'outil dans un liquide.

## Accessoires



**AVERTISSEMENT :** puisque les accessoires autres que ceux offerts par DEWALT n'ont pas été testés avec ce produit, leur utilisation pourrait s'avérer dangereuse. Pour réduire le risque de blessures, utiliser exclusivement les accessoires DEWALT recommandés avec le présent produit.

Les accessoires recommandés pour cet outil sont vendus séparément au centre de service de votre région. Pour obtenir de l'aide concernant l'achat d'un accessoire, communiquer avec DEWALT Industrial Tool Co., 701 East Joppa Road, Towson, MD 21286 aux États-Unis; composer le 1 800 433-9258 (1 800 4-DEWALT) ou visiter notre site Web : [www.dewalt.com](http://www.dewalt.com).

Différents types de mèches SDS Max et de burins sont vendus séparément. Les accessoires et embouts doivent être régulièrement lubrifiés autour de l'adaptateur SDS Max.

## Réparations



**AVERTISSEMENT :** pour assurer la SÉCURITÉ et la FIABILITÉ du produit, les réparations, l'entretien et les réglages doivent être réalisés (cela comprend l'inspection et le remplacement du balai, le cas échéant) par un centre de réparation en usine DEWALT ou un centre de réparation agréé DEWALT. Toujours utiliser des pièces de rechange identiques.

## Registre en ligne

Merci pour votre achat. Enregistrez dès maintenant votre produit :

- **RÉPARATIONS SOUS GARANTIE :** cette carte remplie vous permettra de vous prévaloir du service de réparations sous garantie de façon plus efficace dans le cas d'un problème avec le produit.
- **CONFIRMATION DE PROPRIÉTÉ :** en cas de perte provoquée par un incendie, une inondation ou un vol, cette preuve de propriété vous servira de preuve auprès de votre compagnie d'assurances.
- **SÉCURITÉ :** l'enregistrement de votre produit nous permettra de communiquer avec vous dans l'éventualité peu probable de l'envoi d'un avis de sécurité régi par la loi fédérale américaine de la protection des consommateurs.

Registre en ligne à [www.dewalt.com/register](http://www.dewalt.com/register).

## Garantie limitée de trois ans

DEWALT réparera, sans frais, tout produit défectueux causé par un défaut de matériel ou de fabrication pour une période de trois ans à compter de la date d'achat. La présente garantie ne couvre pas les pièces dont la

défectuosité a été causée par une usure normale ou l'usage abusif de l'outil. Pour obtenir de plus amples renseignements sur les pièces ou les réparations couvertes par la présente garantie, visiter le site [www.dewalt.com](http://www.dewalt.com) ou composer le 1 800 433-9258 (1 800 4-DEWALT). CETTE GARANTIE LIMITÉE REMPLACE TOUTE AUTRE GARANTIE, Y COMPRIS TOUTE GARANTIE IMPLICITE DE QUALITÉ MARCHANDE OU DE CONFORMITÉ À DES FINS PARTICULIÈRES, ET EXCLUT TOUT DOMMAGE ACCESSOIRE OU INDIRECT. Certains états n'autorisent aucune limitation quant à la durée d'une garantie implicite ni aucune exclusion ou limitation de garantie contre tout préjudice accessoire ou indirect, aussi il se peut que ces exclusions ne vous soient pas applicables. Cette garantie confère des droits légaux particuliers à l'acheteur, mais celui-ci pourrait aussi bénéficier d'autres droits variant d'un territoire à l'autre.

En plus de la présente garantie, les outils DeWALT sont couverts par notre :

#### ENTRETIEN GRATUIT DURANT 2 ANS

DeWALT entretiendra l'outil et remplacera ses pièces usées par utilisation normale sans frais à n'importe quel temps durant les deux premières années après l'achat.

#### GARANTIE DE REMBOURSEMENT DE 90 JOURS

Si l'acheteur n'est pas entièrement satisfait, pour quelque raison que ce soit, du rendement de l'outil électrique, du laser ou de la cloueuse DeWALT, celui-ci peut le retourner, accompagné d'un reçu, dans les 90 jours à compter de la date d'achat pour obtenir un remboursement intégral, sans aucun problème.

**AMÉRIQUE LATINE :** cette garantie ne s'applique aux produits vendus en Amérique latine. Pour ceux-ci, veuillez consulter les informations relatives à la garantie spécifique présente dans l'emballage, appeler l'entreprise locale ou consulter le site Web pour les informations relatives à cette garantie.

#### REMPLACEMENT GRATUIT DES ÉTIQUETTES

**D'AVERTISSEMENT :** si les étiquettes d'avertissement deviennent illisibles ou sont manquantes, composer le 1 800 433-9258 (1 800 4-DEWALT) pour en obtenir le remplacement gratuit.

## GUIDE DE DÉPANNAGE

### ASSUREZ-VOUS DE SUIVRE LES RÈGLES DE SÉCURITÉ ET LES INSTRUCTIONS

Pour obtenir de l'aide au sujet du produit, visitez notre site Web au [www.dewalt.com](http://www.dewalt.com) pour une liste des centres de services ou téléphonez DeWALT au 1-800-4-DEWALT (1-800-433-9258).

PROBLÈME	CAUSE POSSIBLE	SOLUTION
L'outil ne démarre pas.	La rallonge et/ou la fiche sont défectueuses.	Faites vérifier la rallonge et/ou la fiche par un électricien qualifié et remplacez-la au besoin.
	Les composantes internes sont trop chaudes.	Laissez l'outil se refroidir.
	Les brosses sont usées.	Faites remplacer vos brosses par un centre de services DeWALT autorisé.
Puissance réduite	La rallonge est trop longue et/ou son calibre n'est pas approprié.	Utilisez une rallonge ayant une longueur approuvée et/ou un calibre approprié.
	Le cadran de vitesses est réglé à une vitesse trop basse.	Tournez le cadran de vitesses à une vitesse supérieure appropriée pour l'application.
	Le tension provenant de l'alimentation électrique n'est pas appropriée.	Branchez le marteau à une alimentation électrique appropriée.
La mèche ne tourne pas.	Le cadran du sélecteur de mode n'est pas bien enclenché ou est réglé à « Martelage seulement » ou à la position « 0 ».	Tournez le cadran du sélecteur de mode à « Martelage rotatif ». Consultez <b>Modes de fonctionnement</b> .
La mèche ne pas être libérée.	Le mandrin n'est pas entièrement reculé.	Reculer le mandrin aussi loin qu'il peut aller et retirez la mèche. Consultez <b>Insérer et retirer les mèches SDS MAX</b> .
Les voyants d'entretien rouges ou jaunes sont allumés ou clignotent.	Les brosses en carbone sur le point d'être usées ou il est temps de faire un entretien.	Faites entretenir l'outil par un centre de services DeWALT autorisé. Consultez <b>Voyants DEL d'entretien et d'E-Clutch®</b> .

## Definiciones: Símbolos y palabras de alerta de seguridad

Este manual de instrucciones utiliza los siguientes símbolos y palabras de alerta de seguridad para alertarle de situaciones peligrosas y del riesgo de lesiones corporales o daños materiales.

**⚠ PELIGRO:** Indica una situación de peligro inminente que, si no se evita, provocará **la muerte o lesiones graves**.

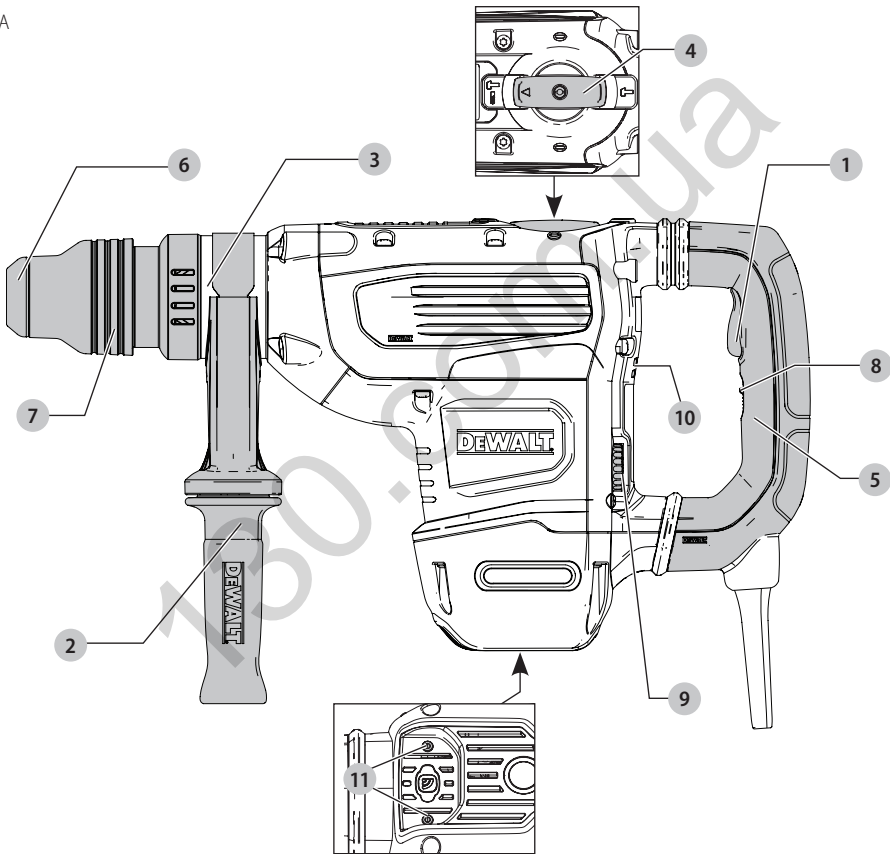
**⚠ ADVERTENCIA:** Indica una situación de peligro potencial que, si no se evita, **podría provocar la muerte o lesiones graves**.

**⚠ ATENCIÓN:** Indica una situación de peligro potencial que, si no se evita, **posiblemente provocaría lesiones leves o moderadas**.

**⚠** (Utilizado sin palabras) indica un mensaje de seguridad relacionado.

**AVISO:** Se refiere a una práctica **no relacionada a lesiones corporales** que de no evitarse **puede resultar en daños a la propiedad**.

Fig. A



- 1 Interruptor de gatillo
- 2 Mango lateral
- 3 Cilindro frontal (collar)
- 4 Dial selector de modalidad
- 5 Mango principal
- 6 Portabrocas
- 7 Manguito

- 8 Botón de bloqueo en encendido
- 9 Carátula de velocidad
- 10 E-Clutch® y LEDs indicadores de desgaste de escobilla amarillos
- 11 Orificios de montaje de etiqueta de herramienta DeWALT

**⚠ ¡ADVERTENCIA!** Lea todas las advertencias de seguridad e instrucciones. El incumplimiento de las advertencias e instrucciones puede provocar descargas eléctricas, incendios o lesiones graves.

**⚠ ADVERTENCIA:** Para reducir el riesgo de lesiones, lea el manual de instrucciones.

Si tiene alguna duda o algún comentario sobre ésta u otra herramienta DeWALT, llámenos al número gratuito: 1-800-4-DeWALT (1-800-433-9258).

## ADVERTENCIAS GENERALES DE SEGURIDAD PARA HERRAMIENTAS ELÉCTRICAS



**¡ADVERTENCIA!** Lea todas las advertencias de seguridad e instrucciones. El incumplimiento de las advertencias e instrucciones puede provocar descargas eléctricas, incendios o lesiones graves.

### CONSERVE TODAS LAS ADVERTENCIAS E INSTRUCCIONES PARA FUTURAS CONSULTAS

El término "herramienta eléctrica" incluido en las advertencias hace referencia a las herramientas eléctricas operadas con corriente (con cable eléctrico) o a las herramientas eléctricas operadas con baterías (inalámbricas).

#### 1) Seguridad en el Área de Trabajo

- Mantenga el área de trabajo limpia y bien iluminada.** Las áreas abarrotadas y oscuras propician accidentes.
- No opere las herramientas eléctricas en atmósferas explosivas, como ambientes donde haya polvo, gases o líquidos inflamables.** Las herramientas eléctricas originan chispas que pueden encender el polvo o los vapores.
- Mantenga alejados a los niños y a los espectadores de la herramienta eléctrica en funcionamiento.** Las distracciones pueden provocar la pérdida de control.

#### 2) Seguridad Eléctrica

- Los enchufes de la herramienta eléctrica deben adaptarse al tomacorriente. Nunca modifique el enchufe de ninguna manera. No utilice ningún enchufe adaptador con herramientas eléctricas con conexión a tierra.** Los enchufes no modificados y que se adaptan a los tomacorrientes reducirán el riesgo de descarga eléctrica.
- Evite el contacto corporal con superficies con descargas a tierra como, por ejemplo, tuberías, radiadores, cocinas eléctricas y refrigeradores.** Existe mayor riesgo de descarga eléctrica si su cuerpo está puesto a tierra.
- No esponga las herramientas eléctricas a la lluvia o a condiciones de humedad.** Si entra agua a una herramienta eléctrica, aumentará el riesgo de descarga eléctrica.
- No maltrate el cable. Nunca utilice el cable para transportar, tirar o desenchufar la herramienta eléctrica. Mantenga el cable alejado del calor, el aceite, los bordes filosos y las piezas móviles.** Los cables dañados o enredados aumentan el riesgo de descarga eléctrica.
- Al operar una herramienta eléctrica en el exterior, utilice un cable prolongador adecuado para tal uso.** Utilice un cable adecuado para uso en exteriores a fin de reducir el riesgo de descarga eléctrica.
- Si el uso de una herramienta eléctrica en un lugar húmedo es imposible de evitar, utilice**

**un suministro protegido con un interruptor de circuito por falla a tierra (GFCI).** El uso de un GFCI reduce el riesgo de descargas eléctricas.

#### 3) Seguridad Personal

- Permanezca alerta, controle lo que está haciendo y utilice el sentido común cuando emplee una herramienta eléctrica. No utilice una herramienta eléctrica si está cansado o bajo el efecto de drogas, alcohol o medicamentos.** Un momento de descuido mientras se opera una herramienta eléctrica puede provocar lesiones personales graves.
- Utilice equipos de protección personal. Siempre utilice protección para los ojos.** En las condiciones adecuadas, el uso de equipos de protección, como máscaras para polvo, calzado de seguridad antideslizante, cascos o protección auditiva, reducirá las lesiones personales.
- Evite el encendido por accidente. Asegúrese de que el interruptor esté en la posición de apagado antes de conectarlo a la fuente de energía o paquete de baterías, o antes de levantar o transportar la herramienta.** Transportar herramientas eléctricas con el dedo apoyado en el interruptor o enchufar herramientas eléctricas con el interruptor en la posición de encendido puede propiciar accidentes.
- Retire la clavija de ajuste o la llave de tuercas antes de encender la herramienta eléctrica.** Una llave de tuercas o una clavija de ajuste que quede conectada a una pieza giratoria de la herramienta eléctrica puede provocar lesiones personales.
- No se estire. Conserve el equilibrio y párese adecuadamente en todo momento.** Esto permite un mejor control de la herramienta eléctrica en situaciones inesperadas.
- Use la vestimenta adecuada. No use ropas holgadas ni joyas. Mantenga el cabello, la ropa y los guantes alejados de las piezas en movimiento.** Las ropas holgadas, las joyas o el cabello largo pueden quedar atrapados en las piezas en movimiento.
- Si se suministran dispositivos para la conexión de accesorios con fines de recolección y extracción de polvo, asegúrese de que estén conectados y que se utilicen correctamente.** El uso de dispositivos de recolección de polvo puede reducir los peligros relacionados con el polvo.

#### 4) Uso y Mantenimiento de la Herramienta Eléctrica

- No fuerce la herramienta eléctrica. Utilice la herramienta eléctrica correcta para el trabajo que realizará.** Si se la utiliza a la velocidad para la que fue diseñada, la herramienta eléctrica correcta permite trabajar mejor y de manera más segura.
- No utilice la herramienta eléctrica si no puede encenderla o apagarla con el interruptor.** Toda

herramienta eléctrica que no pueda ser controlada mediante el interruptor es peligrosa y debe repararse.

- c) **Desconecte el enchufe de la fuente de energía o el paquete de baterías de la herramienta eléctrica antes de realizar ajustes, cambiar accesorios o almacenar la herramienta eléctrica.** Estas medidas de seguridad preventivas reducen el riesgo de encender la herramienta eléctrica en forma accidental.
- d) **Guarde la herramienta eléctrica que no esté en uso fuera del alcance de los niños y no permita que otras personas no familiarizadas con ella o con estas instrucciones operen la herramienta.** Las herramientas eléctricas son peligrosas si son operadas por usuarios no capacitados.
- e) **Realice el mantenimiento de las herramientas eléctricas. Revise que no haya piezas en movimiento mal alineadas o trabadas, piezas rotas o cualquier otra situación que pueda afectar el funcionamiento de la herramienta eléctrica. Si encuentra daños, haga reparar la herramienta eléctrica antes de utilizarla.** Se producen muchos accidentes a causa de las herramientas eléctricas que carecen de un mantenimiento adecuado.
- f) **Mantenga las herramientas de corte afiladas y limpias.** Las herramientas de corte con mantenimiento adecuado y con los bordes de corte afilados son menos propensas a trabarse y son más fáciles de controlar.
- g) **Utilice la herramienta eléctrica, los accesorios y las brocas de la herramienta, etc. de acuerdo con estas instrucciones y teniendo en cuenta las condiciones de trabajo y el trabajo que debe realizarse.** El uso de la herramienta eléctrica para operaciones diferentes de aquéllas para las que fue diseñada podría originar una situación peligrosa.

## 5) Mantenimiento

- a) **Solicite a una persona calificada en reparaciones que realice el mantenimiento de su herramienta eléctrica y que sólo utilice piezas de repuesto idénticas.** Esto garantizará la seguridad de la herramienta eléctrica.

## Reglas de seguridad específicas para rotomartillos

- **Use protectores auditivos.** La exposición al ruido puede causar pérdida auditiva.
- **Use el/los mango(s) auxiliar(es), si está(n) suministrado(s) con la herramienta.** Perder el control de la herramienta podría causar lesiones corporales.
- **Sostenga la herramienta eléctrica por sus superficies aislantes cuando realice una operación en la cual el accesorio para cortar pudiera entrar en contacto con instalaciones eléctricas ocultas.** Si el accesorio para cortar entra en contacto con un cable bajo tensión, podrían cargarse las partes metálicas de la herramienta

expuestas a la corriente y producir una descarga eléctrica al operador.

- **Asegúrese que el material que se está perforando/ demoliendo no oculte el servicio eléctrico o de gas y que sus ubicaciones se hayan verificado con las compañías de servicios públicos.**
- **Use abrazaderas u otra forma práctica de fijar y sujetar la pieza de trabajo a una plataforma estable.** El sujetar la pieza de trabajo con la mano o contra su cuerpo no proporciona estabilidad y puede causar una pérdida de control.
- **Use gafas protectoras u otra protección para los ojos.** Las operaciones de martilleo pueden hacer que salgan volando astillas. Las partículas volantes pueden ocasionar daño permanente a los ojos. Use una mascarilla antipolvo o un respirador para las aplicaciones que produzcan polvo. Puede que sea necesario utilizar una protección auditiva para la mayoría de las aplicaciones.
- **Agarre firmemente la herramienta en todo momento. No intente utilizar esta herramienta sin sujetarla con ambas manos.** El utilizar esta herramienta con una sola mano ocasionará la pérdida de control. Asimismo puede ser peligroso romper o encontrarse con materiales duros como barras de refuerzo.

## Reglas de seguridad adicionales para rotomartillos

- **No utilice esta herramienta durante períodos largos de tiempo.** La vibración causada por la acción del martillo puede ser perjudicial para las manos y los brazos. Utilice guantes para proporcionar protección extra y limite la exposición tomándose periodos de descanso con frecuencia.
- **No repare las brocas usted mismo.** La reparación de los cinceles debe ser realizada por un especialista autorizado. Los cinceles que no estén bien reparados pueden causar lesiones.
- **Los accesorios y la herramienta pueden calentarse durante el funcionamiento.** Use guantes cuando los maneje si realiza operaciones que produzcan calor, tales como taladrado con percusor y taladrado de metales.
- **No ponga nunca la herramienta hacia abajo hasta que la broca se haya parado por completo.** Las brocas en movimiento pueden causar lesiones
- **No golpee las brocas atascadas con un martillo para sacarlas.** Pueden desprenderse fragmentos de metal o astillas de material y ocasionar lesiones.
- **Los cinceles ligeramente desgastados pueden volver a afilarse.**
- **No sobrecaliente la broca (decoloración) mientras la afila de nuevo.** Los cinceles muy desgastados requieren un reforjado. No reendurezca ni temple el cinzel.

## Instrucción Adicional de Seguridad



**ADVERTENCIA:** Use SIEMPRE lentes de seguridad.

Los anteojos de diario NO SON lentes de seguridad.

Utilice además una cubrebocas o mascarilla antipolvo



si la operación de corte genera demasiado polvo. SIEMPRE LLEVE EQUIPO DE SEGURIDAD CERTIFICADO:

- protección ocular ANSI Z87.1 (CAN/CSA Z94.3),
- protección auditiva ANSI S12.6 (S3.19),
- protección respiratoria NIOSH/OSHA/MSHA.



**ADVERTENCIA:** Algunas partículas de polvo generadas al lijar, serrar, esmerilar y taladrar con herramientas eléctricas, así como al realizar otras actividades de construcción, contienen químicos que el Estado de California sabe que pueden producir cáncer, defectos congénitos u otras afecciones reproductivas. Ejemplos de estos químicos son:

- plomo de algunas pinturas en base a plomo,
- polvo de sílice proveniente de ladrillos y cemento y otros productos de albañilería, y
- arsénico y cromo provenientes de madera tratada químicamente.

Su riesgo de exposición a estos químicos varía, dependiendo de la frecuencia con la cual realiza usted este tipo de trabajo. Para reducir su exposición a estas sustancias químicas: trabaje en una zona bien ventilada y llevando equipos de seguridad aprobados, como mascarillas antipolvo especialmente diseñadas para filtrar partículas microscópicas.

- **Evite el contacto prolongado con polvo generado por el lijado, aserrado, pulido, taladrado y otras actividades de construcción. Vista ropas protectoras y lave las áreas de la piel expuestas con agua y jabón.** Si permite que el polvo se introduzca en la boca u ojos o quede sobre la piel, puede favorecer la absorción de productos químicos peligrosos.



**ADVERTENCIA:** La utilización de esta herramienta puede generar polvo o dispersarlo, lo que podría causar daños graves y permanentes al sistema respiratorio, así como otras lesiones. Siempre use protección respiratoria aprobada por NIOSH (Instituto Nacional de Seguridad y Salud en el Trabajo) u OSHA (Administración de Seguridad y Salud en el Trabajo) apropiada para la exposición al polvo. Dirija las partículas en dirección contraria a la cara y el cuerpo.



**ADVERTENCIA:** Siempre lleve la debida protección auditiva personal en conformidad con ANSI S12.6 (S3.19) durante el uso de esta herramienta. Bajo algunas condiciones y duraciones de uso, el ruido producido por este producto puede contribuir a la pérdida auditiva.

- **Los orificios de ventilación suelen cubrir piezas en movimiento, por lo que también se deben evitar.** Las piezas en movimiento pueden atrapar prendas de vestir sueltas, joyas o el cabello largo.
- **Los hilos del alargador deben ser de un calibre apropiado (AWG o American Wire Gauge) para su seguridad.** Mientras menor sea el calibre del hilo, mayor la capacidad del cable. Es decir, un hilo calibre 16 tiene mayor capacidad que uno de 18. Un cable de un calibre insuficiente causará una caída en la tensión de la línea dando por resultado una pérdida de energía y sobrecalentamiento. Cuando se utilice más de un alargador para completar el largo total, asegúrese que

los hilos de cada alargador tengan el calibre mínimo. La tabla siguiente muestra el tamaño correcto a utilizar, dependiendo de la longitud del cable y del amperaje nominal de la placa de identificación. Si tiene dudas sobre cuál calibre usar, use un calibre mayor. Cuanto menor sea el número del calibre, más resistente será el cable.

**Calibre mínimo de conjuntos de cables**

Voltios	Longitud total del cable en pies (metros)				
	120 V	25 (7,6)	50 (15,2)	100 (30,5)	150 (45,7)
240 V	50 (15,2)	100 (30,5)	200 (61,0)	300 (91,4)	
Amperaje nominal	AWG				
	Más de	Más de			
0	6	18	16	16	14
6	10	18	16	14	12
10	12	16	16	14	12
12	16	14	12	Not Recommended	

La etiqueta de su herramienta puede incluir los siguientes símbolos. A continuación se indican los símbolos y sus definiciones:

- V ..... voltios
- Hz ..... hertz
- min ..... minutos
- or DC ..... direct current
- Ⓜ ..... Construcción de Clase I (tierra)
- .../min ..... por minuto
- BPM ..... golpes por minuto
- IPM ..... impactos por minuto
- RPM ..... revoluciones por minuto
- sfpm ..... pies de superficie por minuto
- SPM ..... pasadas por minuto
- A ..... amperios
- W ..... vatios
- ~ or AC ..... corriente alterna
- ⚡ or AC/DC ..... corriente alterna o directa
- Ⓜ ..... Construcción de Clase II (doble aislamiento)
- n<sub>0</sub> ..... velocidad sin carga
- n ..... velocidad nominal
- Ⓜ ..... terminal de conexión a tierra
- ⚠ ..... símbolo de advertencia de seguridad
- ⚠ ..... radiación visible
- ☞ ..... protección respiratoria
- 👁 ..... protección ocular
- 👂 ..... protección auditiva
- 📖 ..... lea toda la documentación

**GUARDE ESTAS INSTRUCCIONES PARA VOLVER A CONSULTAR EN EL FUTURO**

**Motor**

Asegúrese de que la fuente de energía concuerde con lo que se indica en la placa. Un descenso en el voltaje de más del 10% producirá una pérdida de potencia y sobrecalentamiento. Todas las herramientas DEWALT son probadas en fábrica; si esta herramienta no funciona, verifique el suministro eléctrico.

**ESPECIFICACIONES**

	D25733	D25773
Tamaño nominal	47,6 mm (1-7/8")	50,8 mm (2")
Soporte de herramienta	SDS MAX	SDS MAX

**ESPECIFICACIONES**

	<b>D25733</b>	<b>D25773</b>
Amps	15 A	15 A
Energía de impacto en Joules(EPTA)	13,3 J	19,4 J
RPM sin carga	177–355	145–290
BPM sin carga	1350–2705	1105–2210
Rango de perforación óptimo	19 mm–45 mm (3/4"–1-3/4")	22 mm–48 mm (7/8"–1-7/8")
Diámetro Máx. de núcleo	125 mm (5")	150 mm (6")
Control de rotación	E-Clutch*	E-Clutch*
Peso	9,5 kg (20,9 Lbs.)	10,6 kg (23,4 Lbs.)
Longitud	54,3 cm (21,4")	59,1 cm (23,3")
Ancho	11,3 cm (4,5")	11,3 cm (4,5")
Altura	29,2 cm (11,5")	29,2 cm (11,5")
Control de vibración	SHOCKS®	SHOCKS®
Cíncelado	Sí	Sí
Carátula de velocidad variable	Sí	Sí
Posiciones de carátula de velocidad variable	7	7
# de modelo de extracción de polvo	DWH053 / DWH050 /Brocas huecas DeWALT	DWH053 / DWH050 /Brocas huecas DeWALT
Valores de ruido [dB(A)]		
L <sub>pA</sub> (Nivel de presión de sonido de emisión)	98	100
L <sub>WA</sub> (Nivel de potencia de sonido)	109	111
K (Incertidumbre de nivel de sonido predeterminado)	3	3
Valores de vibración (m/s <sup>2</sup> )		
Perforación en concreto (Valor a <sub>h,HD</sub> )	9,6	12,4
Incertidumbre K	1,5	1,5
Perforación/Cíncelado (Valor a <sub>h,Cheq</sub> )	9,0	11,7
Incertidumbre K	1,5	1,5

**COMPONENTES (FIG. A)**

**⚠** **ADVERTENCIA:** Nunca modifique la herramienta eléctrica, ni tampoco ninguna de sus piezas. Podría producir lesiones corporales o daños.

Consulte la Figura A al principio de este manual para obtener una lista completa de los componentes.

**Uso Debido**

Su rotomartillo para trabajos pesados está diseñado para aplicaciones profesionales de taladrado de concreto y cíncelado.

**NO** utilice la herramienta en condiciones de humedad o en presencia de líquidos o gases inflamables.

Su rotomartillo para trabajos pesados es una herramienta eléctrica profesional.

**NO** permita que los niños toquen la herramienta. Si el operador no tiene experiencia operando esta herramienta, su uso deberá ser supervisado.

**MONTAJE Y AJUSTES**

**⚠** **ADVERTENCIA:** Para reducir el riesgo de lesiones personales graves, apague la herramienta y desconéctela de la fuente de alimentación antes de realizar ajustes o de retirar/instalar dispositivos o accesorios. Un arranque accidental podría causar lesiones.

**Mango lateral (Fig. B)**

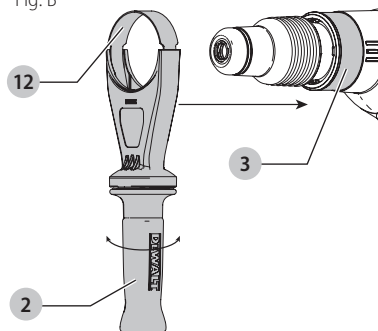
**⚠** **ADVERTENCIA:** Para reducir el riesgo de lesión personal, opere **SIEMPRE** la herramienta con el mango lateral instalado adecuadamente. De lo contrario, el mango lateral puede deslizarse durante el funcionamiento de la herramienta y ocasionar la pérdida de control. Sostenga la herramienta con ambas manos para maximizar el control.

El mango lateral **2** se sujeta al lado delantero de la caja de engranajes y puede rotarse 360° para permitir su uso con la mano derecha e izquierda.

**Montaje del mango lateral recto (Fig. B)**

1. Ensanche la apertura del anillo del mango lateral **2** girándolo en sentido horario.
2. Deslice el ensamble sobre la punta de la herramienta, colocando el anillo de acero **12** sobre el collar **3**, después del soporte del soporte de broca y la camisa.
3. Gire la unidad del mango lateral hasta la posición deseada. Para taladrado de percusión horizontalmente con una broca pesada, coloque la unidad del mango lateral a un ángulo de aproximadamente 20° con respecto a la herramienta para un control óptimo.
4. Bloquee la unidad de montaje del mango lateral en su sitio ajustando firmemente el mango **2** girándolo en sentido horario de manera que la unidad no gire.

Fig. B



## Broca y portabrocas

**⚠️ ADVERTENCIA:** *Riesgo de quemaduras. Use SIEMPRE guantes al cambiar las brocas. Las partes metálicas de la herramienta accesibles y las brocas pueden calentarse mucho durante el funcionamiento. Los trozos pequeños de material roto pueden dañar las manos desnudas.*

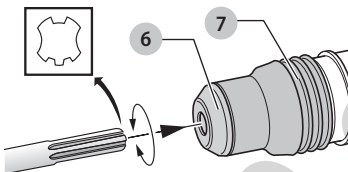
**⚠️ ADVERTENCIA:** *No intente ajustar o soltar las brocas (ni ningún otro accesorio) sujetando la parte frontal del broquero y encendiendo la herramienta. Esto podría dañar el broquero y causar lesiones corporales.*

El rotomartillo puede utilizarse con varias brocas de cincel dependiendo de la aplicación deseada. **Utilice exclusivamente brocas afiladas.**

## Inserción y desmontaje de accesorios SDS MAX (Fig. C)

1. Inserte la broca en el soporte de broca **6** y aplique presión descendente mientras gira para asegurar la broca en su lugar. La espiga de la broca debe estar limpia.
2. Asegúrese que la broca esté correctamente conectada. **NOTA:** La broca debe moverse varios centímetros dentro y fuera del soporte de la broca **6** cuando se conecta correctamente.

Fig. C



3. Para retirar la broca, tire del manguito de bloqueo **7** y extraiga la broca.

## OPERACIÓN

**⚠️ ADVERTENCIA:** *Para reducir el riesgo de lesiones personales graves, apague la herramienta y desconéctela de la fuente de alimentación antes de realizar ajustes o de retirar/instalar dispositivos o accesorios. Un arranque accidental podría causar lesiones.*

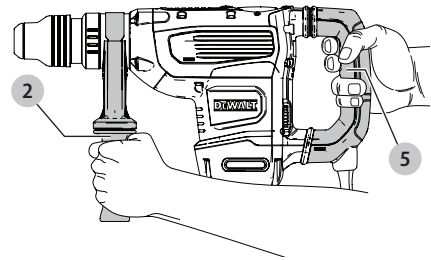
## Posición adecuada de las manos (Fig. D)

**⚠️ ADVERTENCIA:** *Para reducir el riesgo de lesión personal grave, tenga SIEMPRE las manos en una posición adecuada como se muestra.*

**⚠️ ADVERTENCIA:** *Para reducir el riesgo de lesión personal grave, sujete SIEMPRE bien en caso de que haya una reacción repentina.*

Para tener una posición adecuada de las manos, ponga una mano en el mango lateral **2** montado y la otra en el mango principal **5**.

Fig. D



## Sistema de control activo de vibraciones SHOCKS®

Para un mejor control de la vibración, sujete la herramienta como se describe en **Posición adecuada de las manos** y aplique suficiente presión para que el dispositivo de amortiguación del mango principal esté aproximadamente a mitad del recorrido. El martillo sólo necesita la suficiente presión para accionar el control activo de vibraciones. El aplicar demasiada presión no hará que la herramienta funcione más rápido y el control activo de vibraciones no se accionará.

## Etiqueta de herramienta DEWALT lista (Fig. A)

### Accesorio opcional

Su martillo viene con orificios de montaje **11** y sujetadores para instalar una etiqueta de herramienta DEWALT. Necesitará una punta de broca T15 para instalar la etiqueta. Sólo use los tornillos incluidos. La Etiqueta de herramienta DEWALT está diseñada para rastrear y ubicar herramientas, equipos y máquinas eléctricas profesionales con la aplicación DEWALT Tool Connect™. Para una instalación y uso correctos de la Etiqueta de herramienta DEWALT, consulte el manual de Etiqueta de herramienta DEWALT.

## Botón de bloqueo en encendido (Fig. A)

### Sólo modo de martilleo

El botón de bloqueo en encendido **8** ofrece más confort en aplicaciones de uso prolongado. Para bloquear la herramienta en encendido, presione el botón de bloqueo en encendido mientras la herramienta esté en funcionamiento. La herramienta continuará funcionando después de que se suelte el interruptor. Para desbloquear y apagar la herramienta, presione y suelte el interruptor.

**NOTA:** El botón de bloqueo no funcionará en modo de perforación.

## Control electrónico de la velocidad y el impacto (Fig. A)

El control electrónico de la velocidad y el impacto permite usar brocas más pequeñas sin riesgo de romperlas; taladrar con percusión en materiales ligeros y frágiles sin astillarlos, y tener un control óptimo para un cincelado preciso.

Para fijar el selector de control, gire el carátula de velocidad **9** al nivel deseado. Cuanto más alto sea el número, mayores serán la velocidad y la energía de impacto.

## ESPAÑOL

Los valores del selector permiten que la herramienta sea extremadamente flexible y adaptable a muchas aplicaciones distintas. El valor adecuado depende del tamaño de la broca y la dureza del material taladrado.

### Embrague de sobrecarga

En caso de bloqueo de una broca, se interrumpe el impulso del eje del taladro por el embrague de sobrecarga. Debido a las fuerzas resultantes, sostenga siempre la herramienta con ambas manos y mantenga una postura firme. Después de la sobrecarga, suelte y presione el gatillo para volver a activar el impulsor.

**⚠ ADVERTENCIA:** El taladro puede atascarse si se sobrecarga y provocar una torsión repentina. Siempre anticipe que esto suceda. Sujete firmemente el taladro para controlar la acción de torsión y evitar lesiones.

### Sistema E-Clutch® (Fig. A)

Además del embrague integral (mecánico), el sistema E-Clutch® anti-rotación de DeWALT, ofrece tecnología capaz de detectar el movimiento de la herramienta. Esta función detecta el movimiento de la herramienta y la apaga si es necesario. El LED indicador rojo **10** se ilumina cuando el Sistema E-Clutch® está activado.

### E-Clutch® y LEDs de indicador de servicio (Fig. A)

Su rotomartillo tiene dos LEDs **10**, que indican la función E-Clutch® (ADC) y un indicador de servicio. Consulte la tabla para más información sobre la funcionalidad del LED.

Función de LED	Descripción
<b>Rojo (parpadeando)</b>	<b>Bloqueo/Servicio</b> El LED indicador rojo <b>10</b> se ilumina si el botón de bloqueo <b>8</b> se usa en cualquier modo, excepto en el modo de cincelado o si hay una falla en la herramienta o si las escobillas se desgastaron por completo
<b>Rojo (encendido permanentemente)</b>	<b>E-Clutch®</b> E-Clutch® activado.
<b>Amarillo (encendido permanentemente)</b>	<b>Servicio de cepillo</b> El LED indicador de desgaste de escobillas amarillo <b>10</b> se ilumina cuando las escobillas de carbón están casi desgastadas, lo que indica que la herramienta necesita servicio en las próximas 8 horas de uso.

### Modalidades de funcionamiento (Fig. E)

**⚠ ADVERTENCIA:** No seleccione la modalidad de funcionamiento cuando la herramienta esté en funcionamiento.

**⚠ ATENCIÓN:** No la use nunca en modalidad de Taladrado rotativo o Martilleo rotativo con una broca de cincelar en el portabrocas. Pueden producirse lesiones corporales y daño a la herramienta.

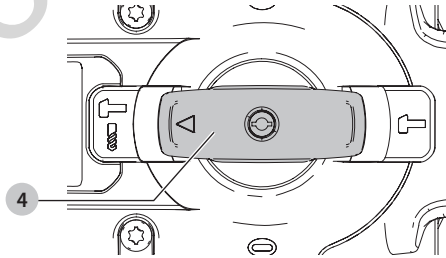
Su herramienta está equipada con un dial selector de modalidad **4** para seleccionar la modalidad apropiada para la operación deseada.

Símbolo	Modo	Solicitud
	<b>Rotatorio martilleo</b>	La perforación de hormigón y madera
	<b>Sólo golpeando</b>	La fragmentación de la luz
	<b>Ajuste de Broca</b>	Ajuste de posición de broca de cincel

### Para seleccionar una modalidad de funcionamiento

- Rote el dial selector de modalidad **4** para que la flecha apunte al símbolo correspondiente a la modalidad deseada.

Fig. E



**NOTA:** La flecha en el dial selector de modalidad **4** debe apuntar a un símbolo de modalidad en todo momento. No hay posiciones de funcionamiento entre las posiciones. Puede ser necesario hacer funcionar brevemente el motor después de haber cambiado de los modos 'martilleo únicamente' a 'giratorio' para alinear los engranajes o para colocar la punta del cincel.

### Indexación de Posición de Cincel (Fig. A)

El cincel se puede indexar y bloquear en 24 posiciones diferentes.

1. Gire el interruptor de selector de modo **4** hasta que apunte hacia la posición.
2. Gire el cincel en la posición deseada.
3. Ajuste el interruptor de selector de modo **4** a la posición "Hammering Only" (Sólo martillo).
4. Gire el cincel hasta que se bloquee en posición.

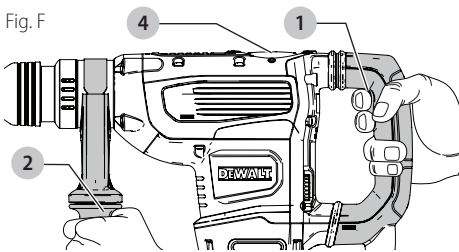
## Realización de una aplicación (Fig. A, F)

**ADVERTENCIA: PARA REDUCIR EL RIESGO DE LESIONES CORPORALES COMPRUEBE, SIEMPRE** que la pieza de trabajo esté asegurada o sujeta con abrazaderas firmemente. Si va a perforar un material delgado, use un bloque de madera como "respaldo" para evitar dañarlo.

**ADVERTENCIA:** Siempre espere hasta que el motor se haya parado por completo antes de cambiar la dirección de la rotación.

1. Elija e instale en la herramienta el mandril, adaptador y/o broca apropiados. Consulte **Broca y portabrocas**.
2. Utilizando el dial selector de modalidad **4**, seleccione la modalidad apropiada para la aplicación deseada. Consulte la sección **Modalidades de funcionamiento**.
3. Ajuste el mango lateral **2** según sea necesario.

Fig. F



4. Coloque la broca/cinzel en el lugar deseado.
5. Presione el interruptor de gatillo **1**.
6. Para detener el martillo, suelte el interruptor.

## Recomendaciones para el funcionamiento de la herramienta

- Pueden hacerse orificios grandes [de 7,9 mm a 12,7 mm (de 5/16" a 1/2")] en acero más fácilmente si se taladra primero un orificio guía [de 4 mm a 4,8 mm 5/32" a 3/16"]].
- Al taladrar, ejerza siempre presión en línea recta con la broca, pero no empuje tan fuerte como para que el motor se atasque o la broca se desvíe. Un flujo uniforme y suave de material indica que se taladra a la velocidad adecuada.
- Si va a taladrar un material delgado o un material propenso a astillarse, use un bloque de madera como "respaldo" para evitar dañar la pieza de trabajo.

**ADVERTENCIA:**

- No use esta herramienta para mezclar o bombear líquidos fácilmente combustibles o explosivos (bencina, alcohol, etc.).
- No mezcle o remueva líquidos inflamables etiquetados como tales.

## MANTENIMIENTO

**ADVERTENCIA:** Para reducir el riesgo de lesiones personales graves, apague la herramienta y desconéctela de la fuente de alimentación antes de realizar ajustes o de retirar/instalar

dispositivos o accesorios. Un arranque accidental podría causar lesiones.

## Limpieza

**ADVERTENCIA:** Sople la suciedad y el polvo de todos los conductos de ventilación con aire seco, al menos una vez por semana. Para reducir el riesgo de lesiones, utilice siempre protección para los ojos aprobada ANSI Z87.1 al realizar esta tarea.

**ADVERTENCIA:** Nunca utilice solventes ni otros químicos abrasivos para limpiar las piezas no metálicas de la herramienta. Estos productos químicos pueden debilitar los materiales plásticos utilizados en estas piezas. Utilice un paño humedecido sólo con agua y jabón neutro. Nunca permita que penetre líquido dentro de la herramienta ni sumerja ninguna de las piezas en un líquido.

## Accesorios

**ADVERTENCIA:** Debido a que no se han probado con este producto otros accesorios que no sean los que ofrece DEWALT, el uso de dichos accesorios con esta herramienta podría ser peligroso. Para reducir el riesgo de lesiones, con este producto deben usarse sólo los accesorios recomendados por DEWALT.

Los accesorios que se recomiendan para utilizar con la herramienta están disponibles a un costo adicional en su distribuidor local o en un centro de mantenimiento autorizado. Si necesita ayuda para localizar algún accesorio, póngase en contacto con DEWALT Industrial Tool Co., 701 East Joppa Road, Towson, MD 21286, llame al 1-800-4-DEWALT (1-800-433-9258) o visite nuestro sitio web: [www.dewalt.com](http://www.dewalt.com).

Se ofrecen como opción varios tipos de brocas y cinceles SDS Max. Los accesorios utilizados deben lubricarse periódicamente alrededor del accesorio SDS Max.

## Reparaciones

**ADVERTENCIA:** Para asegurar la SEGURIDAD y la CONFIABILIDAD del producto, las reparaciones, el mantenimiento y los ajustes (inclusive la inspección y el cambio de las escobillas, cuando proceda) deben ser realizados en un centro de mantenimiento en la fábrica DEWALT u en un centro de mantenimiento autorizado DEWALT. Utilice siempre piezas de repuesto idénticas.

**Para reparación y servicio de sus herramientas eléctricas, favor de dirigirse al Centro de Servicio más cercano**

### CULIACAN, SIN

Bldv. Emiliano Zapata 5400-1 Poniente Col. (667) 717 89 99  
San Rafael

### GUADALAJARA, JAL

Av. La Paz #1779 - Col. Americana Sector (33) 3825 6978  
Juárez

## ESPAÑOL

### MEXICO, D.F.

Eje Central Lázaro Cárdenas No. 18 - Local (55) 5588 9377  
D, Col. Obrera

### MERIDA, YUC

Calle 63 #459-A - Col. Centro (999) 928 5038

### MONTERREY, N.L.

Av. Francisco I. Madero 831 Poniente - Col. (818) 375 23 13  
Centro

### PUEBLA, PUE

17 Norte #205 - Col. Centro (222) 246 3714

### QUERETARO, QRO

Av. San Roque 274 - Col. San Gregorio (442) 2 17 63 14

### SAN LUIS POTOSI, SLP

Av. Universidad 1525 - Col. San Luis (444) 814 2383

### TORREON, COAH

Blvd. Independencia, 96 Pte. - Col. Centro (871) 716 5265

### VERACRUZ, VER

Prolongación Díaz Mirón #4280 - Col. (229) 921 7016  
Remes

### VILLAHERMOSA, TAB

Constitución 516-A - Col. Centro (993) 312 5111

#### PARA OTRAS LOCALIDADES:

**Si se encuentra en México, por favor llame al  
(55) 5326 7100**

**Si se encuentra en U.S., por favor llame al  
1-800-433-9258 (1-800 4-DeWALT)**

## Póliza de Garantía

### IDENTIFICACIÓN DEL PRODUCTO:

Sello o firma del Distribuidor.

Nombre del producto: \_\_\_\_\_

Mod./Cat.: \_\_\_\_\_

Marca: \_\_\_\_\_

Núm. de serie: \_\_\_\_\_

(Datos para ser llenados por el distribuidor)

Fecha de compra y/o entrega del producto:

Nombre y domicilio del distribuidor donde se adquirió  
el producto:

Este producto está garantizado por un año a partir de la fecha de entrega, contra cualquier defecto en su funcionamiento, así como en materiales y mano de obra empleados para su fabricación. Nuestra garantía incluye la reparación o reposición del producto y/o componentes sin cargo alguno para el cliente, incluyendo mano de obra, así como los gastos de transportación razonablemente erogados derivados del cumplimiento de este certificado.

Para hacer efectiva esta garantía deberá presentar su herramienta y esta póliza sellada por el establecimiento comercial donde se adquirió el producto, de no contar con ésta, bastará la factura de compra.

## Excepciones

Esta garantía no será válida en los siguientes casos:

- Cuando el producto se hubiese utilizado en condiciones distintas a las normales;
- Cuando el producto no hubiese sido operado de acuerdo con el instructivo de uso que se acompaña;
- Cuando el producto hubiese sido alterado o reparado por personas distintas a las enlistadas al final de este certificado.

Anexo encontrará una relación de sucursales de servicio de fábrica, centros de servicio autorizados y franquiciados en la República Mexicana, donde podrá hacer efectiva su garantía y adquirir partes, refacciones y accesorios originales.

## Registro en línea

Gracias por su compra. Registre su producto ahora para:

- **SERVICIO EN GARANTÍA:** Si completa esta tarjeta, podrá obtener un servicio en garantía más eficiente, en caso de que exista un problema con su producto.
- **CONFIRMACIÓN DE PROPIEDAD:** En caso de una pérdida que cubra el seguro, como un incendio, una inundación o un robo, el registro de propiedad servirá como comprobante de compra.
- **PARA SU SEGURIDAD:** Si registra el producto, podremos comunicarnos con usted en el caso improbable que se deba enviar una notificación de seguridad conforme a la Federal Consumer Safety Act (Ley Federal de Seguridad de Productos para el Consumidor).

Registro en línea en [www.dewalt.com/register](http://www.dewalt.com/register).

## Garantía limitada por tres años

DeWALT reparará, sin cargo, cualquier falla que surja de defectos en el material o la fabricación del producto, por hasta tres años a contar de la fecha de compra. Esta garantía no cubre fallas de las piezas causadas por su desgaste normal o abuso a la herramienta. Para mayores detalles sobre la cobertura de la garantía e información acerca de reparaciones realizadas bajo garantía, visítenos en [www.dewalt.com](http://www.dewalt.com) o diríjase al centro de servicio más cercano. Esta garantía no aplica a accesorios o a daños causados por reparaciones realizadas o intentadas por terceros. ESTA GARANTÍA LIMITADA SE OTORGA EN VEZ DE TODAS LAS DEMÁS, INCLUIDA LA GARANTÍA IMPLÍCITA DE COMERCIABILIDAD Y APTITUD PARA UN FIN PARTICULAR, Y EXCLUYE TODOS LOS DAÑOS INCIDENTALES O CONSECUENTES. Algunos estados no permiten limitaciones sobre la duración de una garantía implícita, o la exclusión o limitación de daños incidentales o consecuentes, así que estas limitaciones pueden no aplicarse a usted. Esta garantía le otorga derechos legales específicos, además de los cuales usted puede tener otros derechos dependiendo del estado o la provincia en que se encuentre.

Además de la garantía, las herramientas DeWALT están cubiertas por:



**SERVICIO GRATUITO DE 2 AÑOS**

DEWALT conservará la herramienta y reemplazará las partes desgastadas causadas por el uso normal, de forma gratuita, en cualquier momento durante los primeros dos años después de la compra.

**GARANTÍA DE REEMBOLSO DE SU DINERO POR 90 DÍAS**

Si no está completamente satisfecho con el desempeño de su máquina herramienta, láser o clavadora DEWALT, cualquiera sea el motivo, podrá devolverlo hasta 90 días de la fecha de compra con su recibo y obtener el reembolso completo de su dinero – sin necesidad de responder a ninguna pregunta.

**AMÉRICA LATINA:** Esta garantía no se aplica a los productos que se venden en América Latina. Para los productos que se venden en América Latina, debe consultar la información de la garantía específica del país que viene en el empaque, llamar a la compañía local o visitar el sitio Web a fin de obtener esa información.

**REEMPLAZO GRATUITO DE LAS ETIQUETAS DE**

**ADVERTENCIAS:** Si sus etiquetas de advertencia se vuelven ilegibles o faltan, llame al 1-800-433-9258 (1-800-4-DEWALT) para que se le reemplacen gratuitamente.

**ESPECIFICACIONES**

	D25733	D25773
Tensión de alimentación	120 V AC/DC	120 V AC/DC
Consumo de corriente	15 A	15 A
Frecuencia de alimentación	60 Hz	60 Hz
Potencia nominal	1600 W	1700 W
Rotación sin carga	177–355/min	145–290/min
Golpes por minuto (BPM)	1350–2705 bpm	1105–2210 bpm

Solamente para propósito de México:

Importado por: DEWALT Industrial Tool Co. S.A. de C.V.  
Avenida Antonio Dovali Jaime, # 70 Torre B Piso 9  
Colonia La Fe, Santa Fé  
Código Postal : 01210  
Delegación Alvaro Obregón  
México D.F.  
Tel. (52) 555-326-7100  
R.F.C.: BDE810626-1W7

**GUÍA DE SOLUCIÓN DE PROBLEMAS****ASEGÚRESE DE SEGUIR LAS REGLAS DE SEGURIDAD E INSTRUCCIONES**

Para ayuda con su producto, visite nuestra página de Internet en [www.dewalt.com](http://www.dewalt.com) para una lista de centros de servicio, o llame a DEWALT al 1-800-4-DEWALT (1-800-433-9258).

PROBLEMA	CAUSA POSIBLE	SOLUCIÓN
La herramienta no arranca.	El cable de extensión y/o el enchufe están defectuosos.	Pida que un electricista calificado revise el cable de extensión y/o el enchufe si es necesario.
	Componentes internos demasiado calientes.	Permita que la herramienta se enfríe.
	Cepillos desgastados.	Pida que los cepillos sean reemplazados por un centro de servicio autorizado DEWALT.
Potencia reducida	El cable de extensión es demasiado largo y/o su calibre es inadecuado.	Use un cable de extensión de una longitud aprobada y/o de calibre adecuado.
	La carátula de velocidad está ajustada en un ajuste más bajo.	Gire la carátula de velocidad a un ajuste más alto adecuado para la aplicación.
	El voltaje proporcionado por el suministro eléctrico es inadecuado.	Conecte el martillo a un suministro eléctrico adecuado.
La broca no gira.	La carátula selectora de modo no está correctamente conectada, o está ajustado en "Martilleo únicamente" o está ajustado en la posición "0".	Gire la carátula selectora de modo a "Rotomartillo". Consulte <b>Modalidades de funcionamiento</b> .
La broca no se puede liberar.	El mandril no está completamente retraído.	Jale el mandril hacia atrás tanto como sea posible y retire la broca. Consulte <b>Inserción y desmontaje de accesorios SDS MAX</b> .
Las luces indicadoras de servicio amarilla o roja están encendidas o parpadeando.	Las escobillas de carbón están casi desgastadas o se ha alcanzado el tiempo de servicio.	Pida que se realice el servicio por un centro de servicio autorizado DEWALT. Consulte <b>E-Clutch® y LEDs de indicador de servicio</b> .

130.com.ua

130.com.ua

130.com.ua

DEWALT Industrial Tool Co., 701 East Joppa Road, Towson, MD 21286  
(SEP18) Part No. N550511 D25733, D25773 Copyright © 2018 DEWALT

The following are trademarks for one or more DEWALT power tools: the yellow and black color scheme, the “D” shaped air intake grill, the array of pyramids on the handgrip, the kit box configuration, and the array of lozenge-shaped humps on the surface of the tool.