



PHONES

(044) 360-7-130
(050) 336-0-130
(063) 788-0-130
(067) 233-0-130
(068) 282-0-130

130 Internet store of autogoods

COM.UA



ICQ
294-0-130
597-0-130

SKYPE
km-130

CAR RECEIVERS — Receivers • Media receivers and stations • Native receivers • CD/DVD changers • FM-modulators/USB adapters • Flash memory • Facia plates and adapters • Antennas • Accessories | CAR AUDIO — Car audio speakers • Amplifiers • Subwoofers • Processors • Crossovers • Headphones • Accessories | TRIP COMPUTERS — Universal computers • Model computers • Accessories | GPS NAVIGATORS — Portable GPS • Built-in GPS • GPS modules • GPS trackers • Antennas for GPS navigators • Accessories | VIDEO — DVR • TV sets and monitors • Car TV tuners • Cameras • Videomodules • Transcoders • Car TV antennas • Accessories | SECURITY SYSTEMS — Car alarms • Bike alarms • Mechanical blockers • Immobilizers • Sensors • Accessories | OPTIC AND LIGHT — Xenon • Bixenon • Lamps • LED • Stroboscopes • Optic and Headlights • Washers • Light, rain sensors • Accessories | PARKTRONICS AND MIRRORS — Rear parktronic • Front parktronic • Combined parktronic • Rear-view mirrors • Accessories | HEATING AND COOLING — Seat heaters • Mirrors heaters • Screen-wipers heaters • Engine heaters • Auto-refrigerators • Air conditioning units • Accessories | TUNING — Vibro-isolation • Noise-isolation • Tint films • Accessories | ACCESSORIES — Radar-detectors • Handsfree, Bluetooth • Windowlifters • Compressors • Beeps, loudspeakers • Measuring instruments • Cleaners • Carsits • Miscellaneous | MOUNTING — Installation kits • Upholstery • Grilles • Tubes • Cable and wire • Tools • Miscellaneous | POWER — Batteries • Converters • Start-charging equipment • Capacitors • Accessories | MARINE AUDIO AND ELECTRONICS — Marine receivers • Marine audio speakers • Marine subwoofers • Marine amplifiers • Accessories | CAR CARE PRODUCTS — Additives • Washer fluid • Care accessories • Car polish • Flavors • Adhesives and sealants | LIQUID AND OIL — Motor oil • Transmission oil • Brake fluid • Antifreeze • Technical lubricant



In store "130" you can find and buy almost all necessary goods for your auto in Kyiv and other cities, delivery by ground and postal services. Our experienced consultants will provide you with exhaustive information and help you to chose the very particular thing. We are waiting for you at the address

<http://130.com.ua>

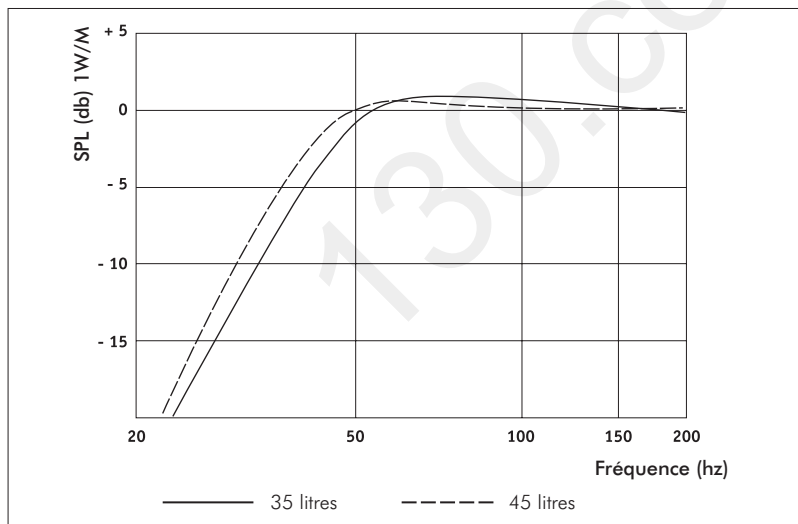
33 WX

13" Utopia Be® Subwoofer

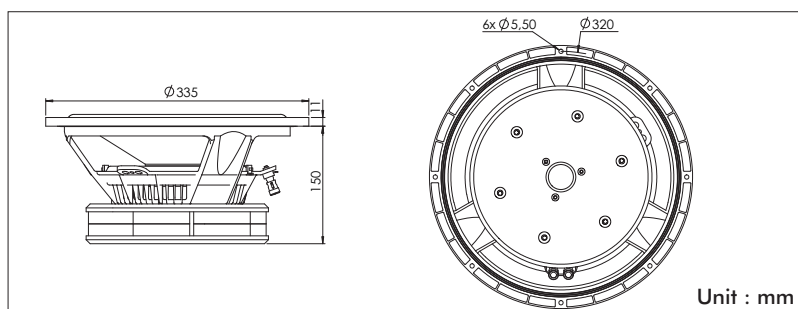
- Multiferrite magnet
- W cone
- For small and medium size
- High power handling



Frequency Reponse



Mechanical Drawing



Specifications

Nominal power	400W	
Maximum power	800W	
Sensitivity	92 dB	
Cone	W	
Surround	Rubber	
Nom. impedance	4 Ohms	
DC resistance	3.5 Ohms	
VC diameter	77 mm	3.08 in
VC height	28 mm	1.12 in
Former	Aluminum	
Layers	2	
Wire	Copper	
Inductance	2.05 mH	
Xmax	9 mm	0.36 in
Magnet (12 units)	15 x 72 mm	0.60x2.88in
Magnet weight	10.3 kg	22.98 lbs
Flux density	0.8 T	
Gap height	10 mm	0,40 in
Net weight	12.45 kg	27.77 lbs

Parameters

Fs	32.52 Hz
Vas	73.06 l
Qts	0.349
Qes	0.360
Qms	11.75
Re	3.32 ohms
Sd	551.55 cm ²
Cas	5.20E-07 m ⁵ /N
Mas	46.04 Kg/m ⁴
Ras	800.71 ohms.ac
Cms	1.71E-04 m/N
Mms	140.07 g
Rms	2.436 kg/s
Ces	530.68 mF
Les	45.13 mH
Res	108.36 ohms
BI	16.25 N/A
SPL	90.28 dB/W/m

Suggested application

Load	V (l)	F-3 (Hz)	FB (Hz)	Évent (d x l)
Vented	35 litres	43	42	10 x 30 cm
Vented	45 litres	40	40	10 x 25 cm



Focal® is a trademark of Focal-JMLab® - BP 374 - 108, rue de l'Avenir - 42353 La Talaudière cedex France - Tel. 33 00 4 77 43 57 00 - Fax 33 00 4 77 37 65 87 - www.focal-fr.com - SCBD080107/1