



PHONES

(044) 360-7-130  
(050) 336-0-130  
(063) 788-0-130  
(067) 233-0-130  
(068) 282-0-130

130  
COM.UA

Internet store of  
autogoods



ICQ  
294-0-130  
597-0-130

SKYPE  
km-130

CAR RECEIVERS — Receivers • Media receivers and stations • Native receivers • CD/DVD changers • FM-modulators/USB adapters • Flash memory • Facia plates and adapters • Antennas • Accessories |  
CAR AUDIO — Car audio speakers • Amplifiers • Subwoofers • Processors • Crossovers • Headphones • Accessories | TRIP COMPUTERS — Universal computers • Model computers • Accessories |  
GPS NAVIGATORS — Portable GPS • Built-in GPS • GPS modules • GPS trackers • Antennas for GPS navigators • Accessories | VIDEO — DVR • TV sets and monitors • Car TV tuners • Cameras • Videomodules  
• Transcoders • Car TV antennas • Accessories | SECURITY SYSTEMS — Car alarms • Bike alarms • Mechanical blockers • Immobilizers • Sensors • Accessories | OPTIC AND LIGHT — Xenon • Bixenon • Lamps  
• LED • Stroboscopes • Optic and Headlights • Washers • Light, rain sensors • Accessories | PARKTRONICS AND MIRRORS — Rear parktronic • Front parktronic • Combined parktronic • Rear-view mirrors  
• Accessories | HEATING AND COOLING — Seat heaters • Mirrors heaters • Screen-wipers heaters • Engine heaters • Auto-refrigerators • Air conditioning units • Accessories | TUNING — Vibro-isolation  
• Noise-isolation • Tint films • Accessories | ACCESSORIES — Radar-detectors • Handsfree, Bluetooth • Windowlifters • Compressors • Beeps, loudspeakers • Measuring instruments • Cleaners • Carsits  
• Miscellaneous | MOUNTING — Installation kits • Upholstery • Grilles • Tubes • Cable and wire • Tools • Miscellaneous | POWER — Batteries • Converters • Start-charging equipment • Capacitors  
• Accessories | MARINE AUDIO AND ELECTRONICS — Marine receivers • Marine audio speakers • Marine subwoofers • Marine amplifiers • Accessories | CAR CARE PRODUCTS — Additives • Washer fluid •  
Care accessories • Car polish • Flavors • Adhesives and sealants | LIQUID AND OIL — Motor oil • Transmission oil • Brake fluid • Antifreeze • Technical lubricant



In store "130" you can find and buy almost all necessary goods for your auto in Kyiv and other cities, delivery by ground and postal services. Our experienced consultants will provide you with exhaustive information and help you to chose the very particular thing. We are waiting for you at the address

<http://130.com.ua>

# Performance Sub P 25 DB



## Dual voice-coil 10" (25cm) subwoofer

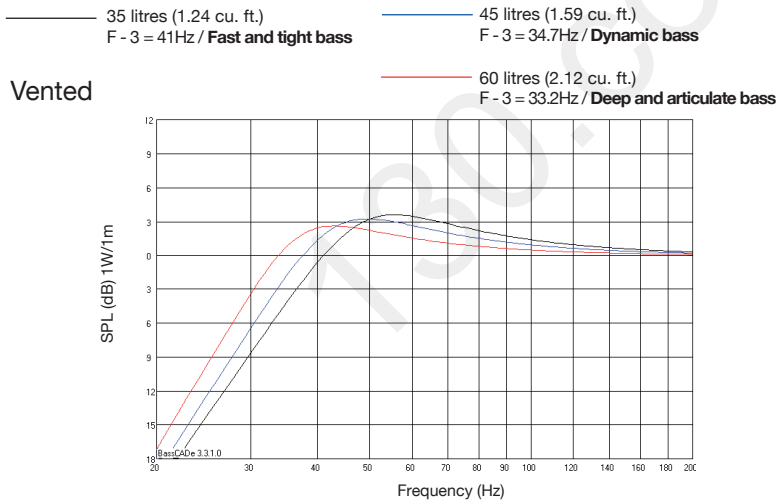


- 2x4 Ohms dual voice-coil
- [5<sup>11/16"</sup>] 145mm dual ferrite
- For sealed or vented box

### SPECIFICATIONS

Nominal power	250W	
Maximum power	500W	
Sensitivity	90.9dB	
Cone	Polypropylene	
Surround	Butyl	
Nom. impedance	4 Ohms	
DC resistance	2x2.4 Ohms	
VC diameter	50mm	2"
VC height	25mm	1"
Former	Kapton	
Layers	4	
Wire	Copper	
Inductance	0.27mH	
Xmax	7.5mm	0 <sup>5/16"</sup>
Magnet d x h	145x32mm	5 <sup>11/16"</sup> x1 <sup>1/4"</sup>
Magnet weight	1600g	3.53lb
Flux density	-	
Gap height	8mm	0 <sup>5/16"</sup>
Net weight	4900g	10.8lb

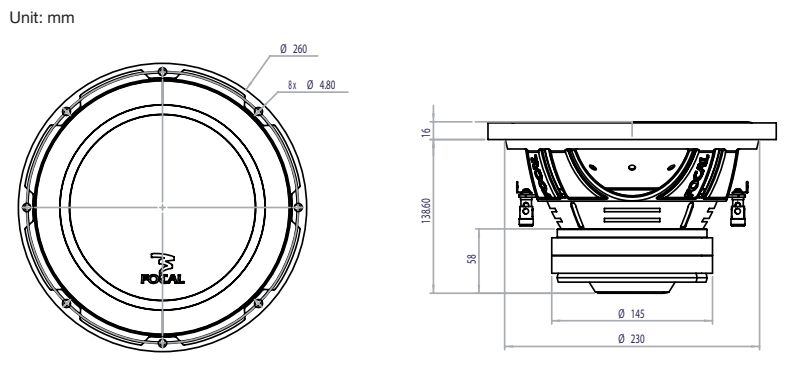
### SUGGESTED APPLICATION



### PARAMETERS

Fs	27.46Hz	
Vas	40.72 l	
Qts	0.431	
Qes	0.47	
Qms	5.21	
Re	1.7 Ohm	
Sd	346.36cm <sup>2</sup>	
Cas	2.90E-7m <sup>5</sup> /N	
Mas	115.87kg/m <sup>4</sup>	
Ras	3837.08 Ohms.ac	
Cms	2.42E-4m/N	
Mms	139g	
Rms	4.603kg/s	
Ces	1556.61mF	
Les	21.58mH	
Res	19.4 Ohms	
BI	9.45 N/A	
SPL	84.38 dB/W/m	

### MECHANICAL DRAWING



### SUGGESTED APPLICATION

Load	Volume	Port diameter	Port length
Vented	35	8 (3 <sup>1/8"</sup> )	20 (7 <sup>7/8"</sup> )
Vented	45	8 (3 <sup>1/8"</sup> )	22 (8 <sup>2/3"</sup> )
Vented	60	8 (3 <sup>1/8"</sup> )	17 (6 <sup>11/16"</sup> )

Load	Volume	F-3 (Hz)	Ql
Sealed	15	46.2	0.83
Sealed	25	45.1	0.7
Sealed	35	45.6	0.6