



PHONES

(044) 360-7-130  
(050) 336-0-130  
(063) 788-0-130  
(067) 233-0-130  
(068) 282-0-130

130  
COM.UA

Internet store of  
autogoods



ICQ  
294-0-130  
597-0-130

SKYPE  
km-130

CAR RECEIVERS — Receivers • Media receivers and stations • Native receivers • CD/DVD changers • FM-modulators/USB adapters • Flash memory • Facia plates and adapters • Antennas • Accessories |  
CAR AUDIO — Car audio speakers • Amplifiers • Subwoofers • Processors • Crossovers • Headphones • Accessories | TRIP COMPUTERS — Universal computers • Model computers • Accessories |  
GPS NAVIGATORS — Portable GPS • Built-in GPS • GPS modules • GPS trackers • Antennas for GPS navigators • Accessories | VIDEO — DVR • TV sets and monitors • Car TV tuners • Cameras • Videomodules  
• Transcoders • Car TV antennas • Accessories | SECURITY SYSTEMS — Car alarms • Bike alarms • Mechanical blockers • Immobilizers • Sensors • Accessories | OPTIC AND LIGHT — Xenon • Bixenon • Lamps  
• LED • Stroboscopes • Optic and Headlights • Washers • Light, rain sensors • Accessories | PARKTRONICS AND MIRRORS — Rear parktronic • Front parktronic • Combined parktronic • Rear-view mirrors  
• Accessories | HEATING AND COOLING — Seat heaters • Mirrors heaters • Screen-wipers heaters • Engine heaters • Auto-refrigerators • Air conditioning units • Accessories | TUNING — Vibro-isolation  
• Noise-isolation • Tint films • Accessories | ACCESSORIES — Radar-detectors • Handsfree, Bluetooth • Windowlifters • Compressors • Beeps, loudspeakers • Measuring instruments • Cleaners • Carsits  
• Miscellaneous | MOUNTING — Installation kits • Upholstery • Grilles • Tubes • Cable and wire • Tools • Miscellaneous | POWER — Batteries • Converters • Start-charging equipment • Capacitors  
• Accessories | MARINE AUDIO AND ELECTRONICS — Marine receivers • Marine audio speakers • Marine subwoofers • Marine amplifiers • Accessories | CAR CARE PRODUCTS — Additives • Washer fluid •  
Care accessories • Car polish • Flavors • Adhesives and sealants | LIQUID AND OIL — Motor oil • Transmission oil • Brake fluid • Antifreeze • Technical lubricant



In store "130" you can find and buy almost all necessary goods for your auto in Kyiv and other cities, delivery by ground and postal services. Our experienced consultants will provide you with exhaustive information and help you to chose the very particular thing. We are waiting for you at the address

<http://130.com.ua>

# 27 KX

270 mm K2 Power® subwoofer



- Multiferrites magnet
- Zamak basket
- For closed box
- High power handling

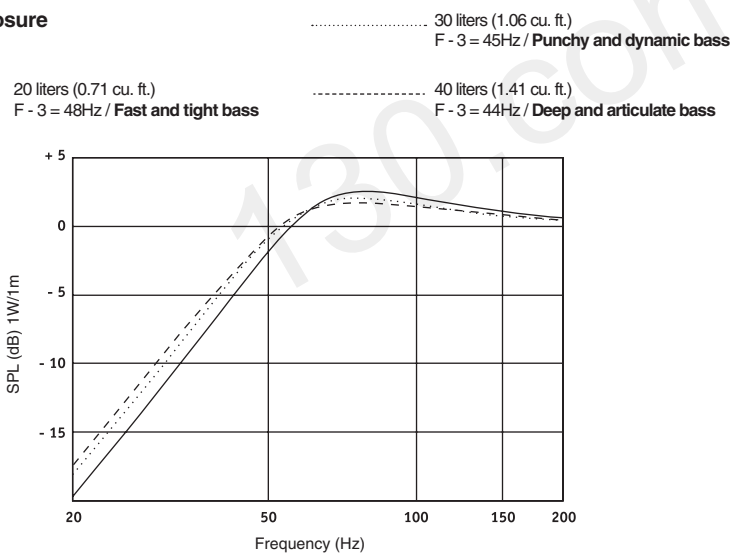


## Specifications

Nominal power	300 W	
Maximum power	600 W	
Sensitivity	88 dB	
Cone	K2 Composite Sandwich®	
Surround	Butyl	
Nom. impedance	4 ohms	
DC resistance	4.6 ohms	
VC diameter	65 mm	2.55 in
VC height	26 mm	1.02 in
Former	Kapton®	
Layers	1	
Wire	Flat Copper	
Inductance	1.9 mH	
Xmax	9 mm	0.35 in
Magnet d x h (12)	60 x 14 mm	2.36 x 0.55 in
Magnet weight	2106 g	4.66 lb
Flux density	0.9 T	
Gap height	8 mm	0.3 in
Net weight	7.2 kg	15.87 lb

## Suggested Application

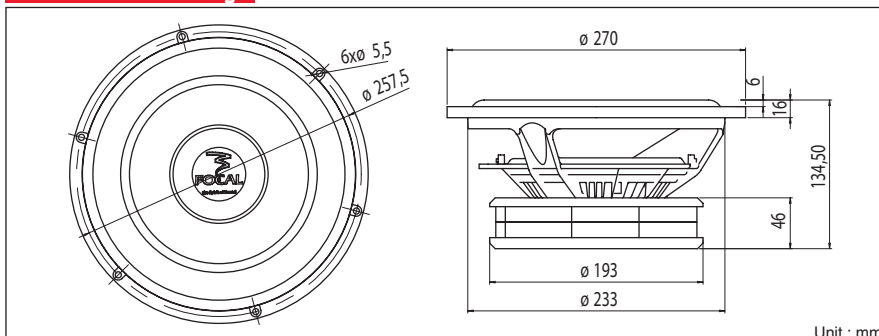
### Sealed enclosure



## Parameters

Fs	48 Hz	
Vas	14.92 l	0.53 Ft <sup>3</sup>
Qts	0.908	
Qes	0.97	
Qms	14.19	
Re	4.6 ohms	
Sd	314.16 cm <sup>2</sup>	48.7 in <sup>2</sup>
Cas	1.06E-07 m <sup>5</sup> /N	
Mas	102.23 kg/m <sup>4</sup>	
Ras	2186.43 ohms.ac	
Cms	1.08E-04 m/N	
Mms	100.9 g	0.22 lb
Rms	2158 g/s	
Ces	694.84 mF	
Les	15.63 mH	
Res	67.29 ohms	
BI	12.05 N/A	
SPL	84.23 dB/W/m	

## Mechanical Drawing



## Suggested application

Load	V (l)	Fb (Hz)	F-3 (Hz)	Ql
Sealed	20	-	48	7
Sealed	30	-	45	7
Sealed	40	-	44	7

Focal® is a trademark of Focal-JMLab®

BP 374 - 108, rue de l'Avenir - 42353 La Talaudière cedex - France - Tel. +33 4 77 43 57 00 - Fax +33 4 77 43 57 04 - www.focal-fr.com

Autogood products internet store <http://130.com.ua>