



PHONES

(044) 360-7-130
(050) 336-0-130
(063) 788-0-130
(067) 233-0-130
(068) 282-0-130

130 Internet store of autogoods

COM.UA



ICQ
294-0-130
597-0-130

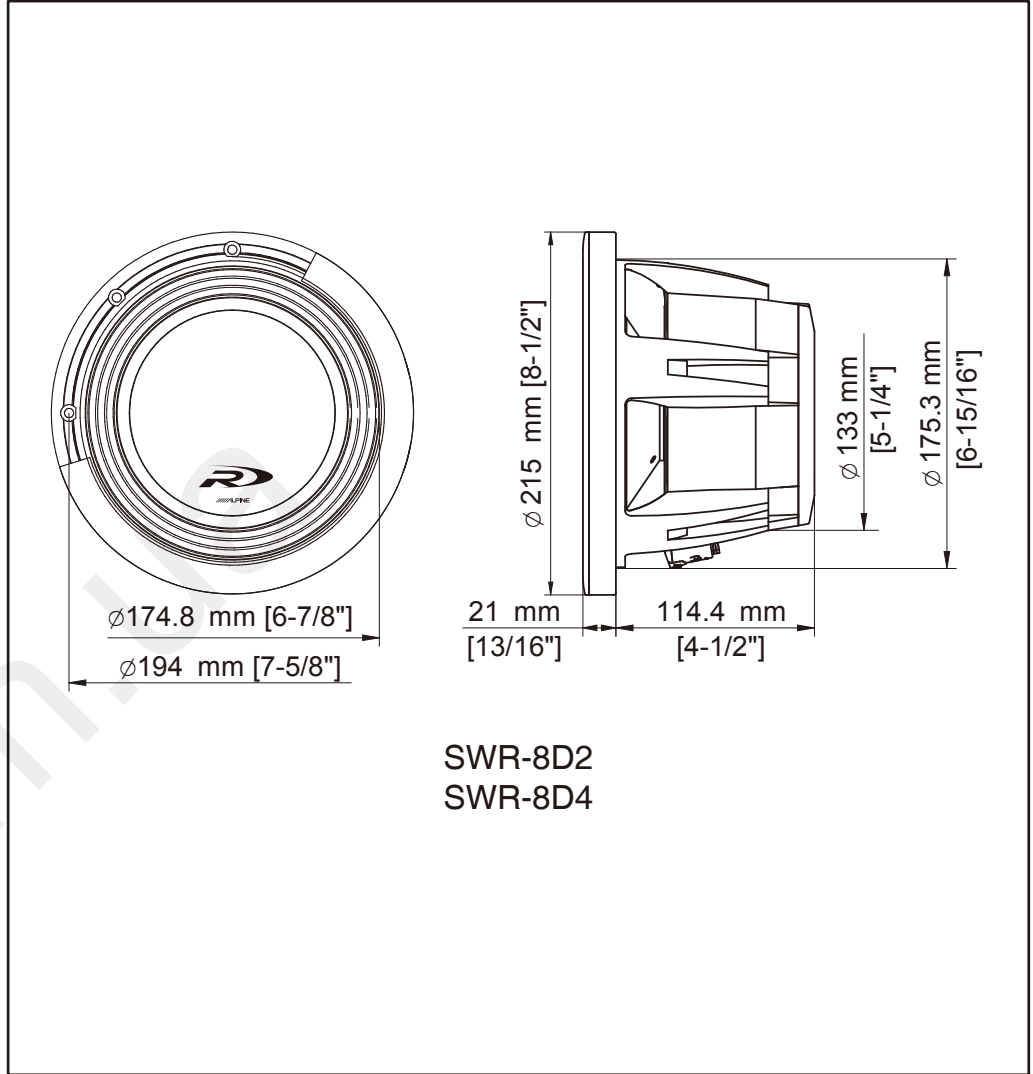
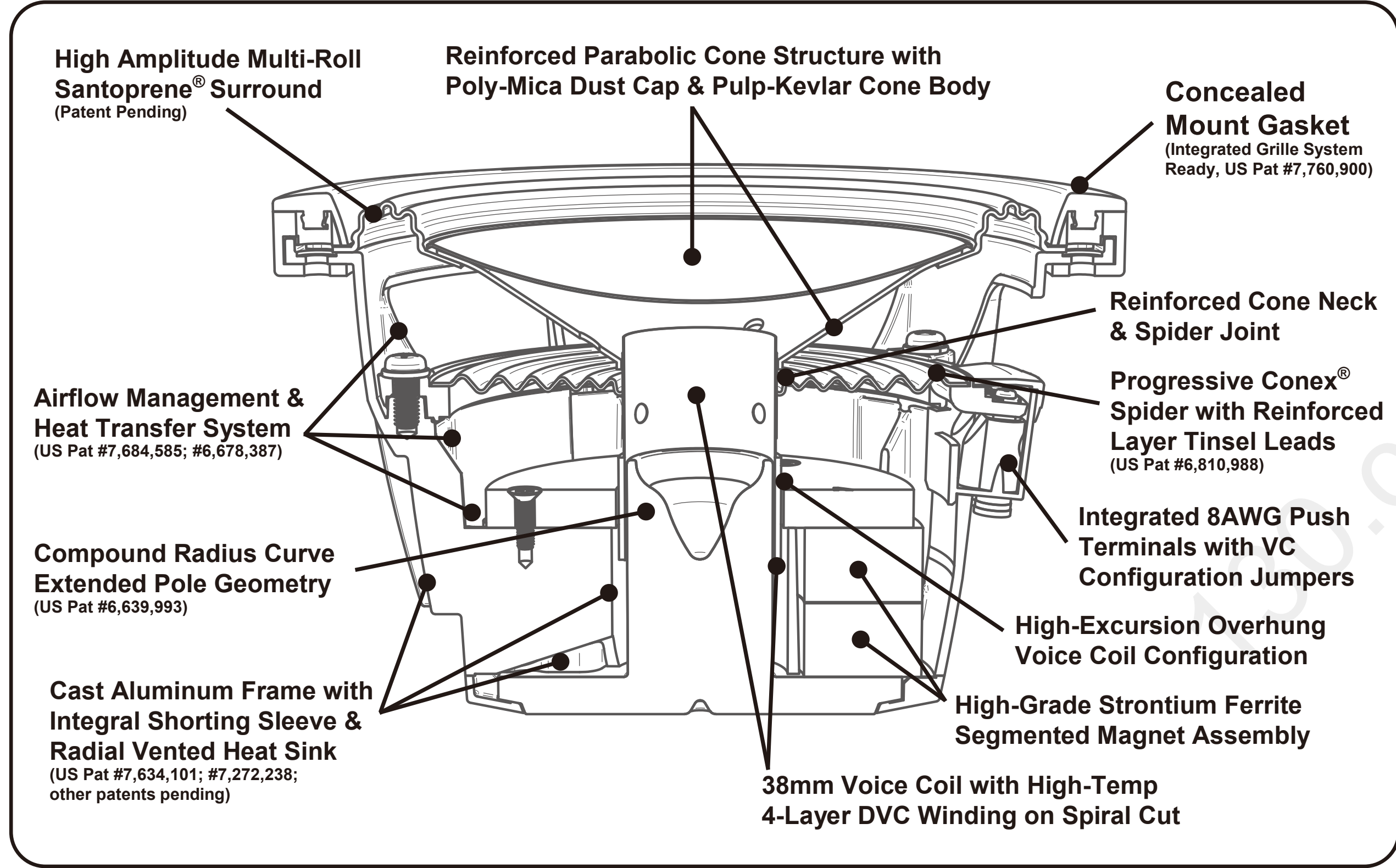
SKYPE
km-130

CAR RECEIVERS — Receivers • Media receivers and stations • Native receivers • CD/DVD changers • FM-modulators/USB adapters • Flash memory • Facia plates and adapters • Antennas • Accessories | CAR AUDIO — Car audio speakers • Amplifiers • Subwoofers • Processors • Crossovers • Headphones • Accessories | TRIP COMPUTERS — Universal computers • Model computers • Accessories | GPS NAVIGATORS — Portable GPS • Built-in GPS • GPS modules • GPS trackers • Antennas for GPS navigators • Accessories | VIDEO — DVR • TV sets and monitors • Car TV tuners • Cameras • Videomodules • Transcoders • Car TV antennas • Accessories | SECURITY SYSTEMS — Car alarms • Bike alarms • Mechanical blockers • Immobilizers • Sensors • Accessories | OPTIC AND LIGHT — Xenon • Bixenon • Lamps • LED • Stroboscopes • Optic and Headlights • Washers • Light, rain sensors • Accessories | PARKTRONICS AND MIRRORS — Rear parktronic • Front parktronic • Combined parktronic • Rear-view mirrors • Accessories | HEATING AND COOLING — Seat heaters • Mirrors heaters • Screen-wipers heaters • Engine heaters • Auto-refrigerators • Air conditioning units • Accessories | TUNING — Vibro-isolation • Noise-isolation • Tint films • Accessories | ACCESSORIES — Radar-detectors • Handsfree, Bluetooth • Windowlifters • Compressors • Beeps, loudspeakers • Measuring instruments • Cleaners • Carsits • Miscellaneous | MOUNTING — Installation kits • Upholstery • Grilles • Tubes • Cable and wire • Tools • Miscellaneous | POWER — Batteries • Converters • Start-charging equipment • Capacitors • Accessories | MARINE AUDIO AND ELECTRONICS — Marine receivers • Marine audio speakers • Marine subwoofers • Marine amplifiers • Accessories | CAR CARE PRODUCTS — Additives • Washer fluid • Care accessories • Car polish • Flavors • Adhesives and sealants | LIQUID AND OIL — Motor oil • Transmission oil • Brake fluid • Antifreeze • Technical lubricant



In store "130" you can find and buy almost all necessary goods for your auto in Kyiv and other cities, delivery by ground and postal services. Our experienced consultants will provide you with exhaustive information and help you to chose the very particular thing. We are waiting for you at the address

<http://130.com.ua>



ALPINE ELECTRONICS MARKETING, INC.
 1-7 Yukigaya-otsukamachi,
 Ota-ku, Tokyo 145-0067, Japan
 Tel: (03) 5499-4531

ALPINE ELECTRONICS OF AUSTRALIA PTY. LTD.
 161-165 Princes Highway, Hallam
 Victoria 3803, Australia
 Tel: (03) 8787-1200

ALPINE ELECTRONICS OF U.K., LTD.
 Alpine House Earplace Business Park,
 Fletchamstead Highway, Coventry CV4, 9TW
 United Kingdom
 Tel: (2476) 719-500

ALPINE ELECTRONICS OF AMERICA, INC.
 19145 Gramercy Place, Torrance,
 California 90501, U.S.A.
 Tel: 1-800-ALPINE-1 (1-800-257-4631)

ALPINE ELECTRONICS DE ESPAÑA, S.A.
 Portal de Gamarra 36, Pabellón 32
 01013 Vitoria (Álava). APDO. 133, Spain
 Tel: (945) 283-588

ALPINE ELECTRONICS OF CANADA, INC.
 777 Supertest Road, Toronto,
 Ontario M3J 2M9, Canada
 Tel: (416) 736-6211

ALPINE ELECTRONICS GmbH
 Wilhelm-Wagenfeld-Straße 1-3
 80807 München, Germany
 Tel: (089) 324-2640

ALPINE ELECTRONICS (Benelux) GmbH
 Leuvensesteenweg 510-B6
 1930 Zaventem, Belgium
 Tel: 02-7251315

ALPINE ELECTRONICS FRANCE S.A.R.L.
 98, Rue de la Belle Etoile, Z.I. Paris Nord,
 B.P. 50016, 95945, Roissy Charles de Gaulle
 Cédex, France
 Tel: (01) 4863-8989

ALPINE ITALIA S.p.A.
 Viale C. Colombo 8,
 20090 Trezzano Sul Naviglio (MI), Italy
 Tel: (02) 484-781

Printed in CHINA



TYPE-R SUBWOOFER
HAUT-PARLEUR D'EXTRÊMES GRAVES TYPE-R
APPLICATION GUIDE
GUIDE D' APPLICATION

SWR-8D4
 8 Inch Dual Voice Coil Subwoofer (4 Ω)+(4 Ω)
 Haut-parleur d'extrêmes graves à double bobine 8 po (4 Ω)+(4 Ω)

SWR-8D2
 8 Inch Dual Voice Coil Subwoofer (2 Ω)+(2 Ω)
 Haut-parleur d'extrêmes graves à double bobine 8 po (2 Ω)+(2 Ω)

APPLICATION DIAGRAMS

Gnneral Specifications

Sealed	Taille
Frequency Response	Response en Fréquence
Power Range	Plage de Puissance
Power Handling	Puissance Admissible
Magnet Weight	Poids de l'aimant
Voice Coil Diameter	Diamètre de la bobine

Thiel-Small Parameters

Sensitivity (1W/1m)	Sensibilité (1W/1m)	SPL
DC Resistance	Résistance CC	Re
Inductance	Inductance	Le
Free Air Resonance	Résonance à l'air libre	Fs
Equivalent Stiffness	Raiduer équivalente	Vas
Mechanical Q	Q Mécanique	Qms
Electrical Q	Q Électrique	Qes
Total Q	Q Total	Qts
Cone Area	Surface du diaphragme	Sd
Linear Excursion	Displacement Linéaire	Xmax (1-way)
Mechanical Travel	Déplacement Mécanique	Xmech (P-P)

Note: Specifications subject to change without notice

Type-R	
SWR-8D2	SWR-8D4
2 Ω+2 Ω	4 Ω+4 Ω
8"	
30 Hz-200 Hz	
150 W-350 W RMS (efficace)	
350 W RMS (efficace) / 1000 W PEAK (de crête)	
52 oz	
40 mm (1.6")	
83.5 dB	
1.85 Ω+1.85 Ω	3.7 Ω+3.7 Ω
-----	-----
40 Hz	42 Hz
10.5 L (0.37 ft³)	10.3 L (0.36 ft³)
7.2	6.8
0.54	0.62
0.50	0.57
201 cm²	
12 mm	
52 mm	

ALPINE **4Ω + 4Ω**

Example 1 One Amplifier + One Subwoofer

Example 3 Two Amplifiers + One Subwoofer

Example 5 One Amplifier + Two Subwoofers

Example 7 One Amplifier + Three Subwoofers

ALPINE **2Ω + 2Ω** **SWR-8D2 / SWR-8D4**

Example 2 One Amplifier + One Subwoofer

Caution ! Consult amplifier owner's manual for 1Ω connection. Attention : lire le manuel de l'amplificateur pour la connexion à 1Ω .

Example 4 Two Amplifiers + One Subwoofer

Example 6 One Amplifier and Two Subwoofers

Example 8 One Amplifier + Four Subwoofers

TYPE-R WIRING WORKSHEET
CÂBLAGE POUR TYPE-R

		SWR-8D2/D4
Sealed Box Range	Net Internal Volume	0.15-0.50 ft³
Recommended Sealed Box	External Box Dimensions	13" x 13" x 5.5"
	Gross Internal Volume	0.30 ft³
	Net Internal Volume	0.25 ft³
Vented Box Range	F3, Qtc	D2: 59 Hz, 0.72 D4: 59 Hz, 0.72
	Net Internal Volume	0.25-0.7 ft³
Recommended Vented Box	Tuning	36-40 Hz
	External Box Dimensions	11" x 8.5" x 20"
Recommended Vented Box	Gross Internal Volume	0.70 ft³
	Aire de l'évent (dimensions)	5.25 in² (7" x 0.75")
	Vent Length	15.5"
	Vent Displacement	0.10 ft³
	Net Internal Volume (Vb)	0.55 ft³
	F3, ripple, Fb	D2: 32 Hz, 2 dB, 37 Hz D4: 32 Hz, 2 dB, 37 Hz

Notes:
1) Recommended enclosure net internal volume is based upon 3/4" (19mm) MDF enclosure construction.
2) Consult the table below for alternative enclosure net internal volume calculation.

Front Mount Displacement* (magnet in)	-0.050 ft³
Reverse Mount Added Volume* (magnet out)	+0.035 ft³

*Based upon 3/4" (19mm) baffle thickness, with opening cut approximately to gasket inner diameter

		SWR-8D2/D4
Gamme Box Sealed	Net volume interne	0.15-0.50 pi³
recommended Boîte Scellée	Dimensions de la boîte extérieures	13 po x 13 po x 5.5 po
	Volume intérieur brut	0.30 pi³
	Volume intérieur Net ***	0.25 pi³
Gamme charge bass-reflex	F3, Qtc	D2: 59 Hz, 0.72 D4: 59 Hz, 0.72
	Volume net interne	0.25-0.7 pi³
recommended charge bass-reflex	mise au point	36-40 Hz
	Dimensions extérieures	11 po x 8.5 po x 20 po
	Volume intérieur brut	0.70 pi³
	Aire de l'évent (dimensions)	5.25 in² (7 po x 0.75 po)
	Longueur de l'évent	15.5 po
	déplacement de l'évent	0.10 pi³
	Volume intérieur Net (Vb)***	0.55 pi³
F3, crête, Fb	D2: 32 Hz, 2 dB, 37 Hz D4: 32 Hz, 2 dB, 37 Hz	

Notes:
1) Reconnané enceinte volume net interne est basée sur 3/4 "(19mm) de construction boîtier en MDF.
2) Consulter le tableau ci-dessous pour le calcul de filet d'enclos alternative volume interne.

Avant le déplacement du Mont * (aimant)	-0.050 pi³
Inverser Volume mont Ajouté * (des aimants)	+0.035 pi³

* Sur la base de l'épaisseur du déflecteur 3/4" (19mm), avec une ouverture coupée à peu près à joint diamètre intérieur