



PHONES

(044) 360-7-130  
(050) 336-0-130  
(063) 788-0-130  
(067) 233-0-130  
(068) 282-0-130

# 130 Internet store of autogoods

COM.UA



ICQ  
294-0-130  
597-0-130

SKYPE  
km-130

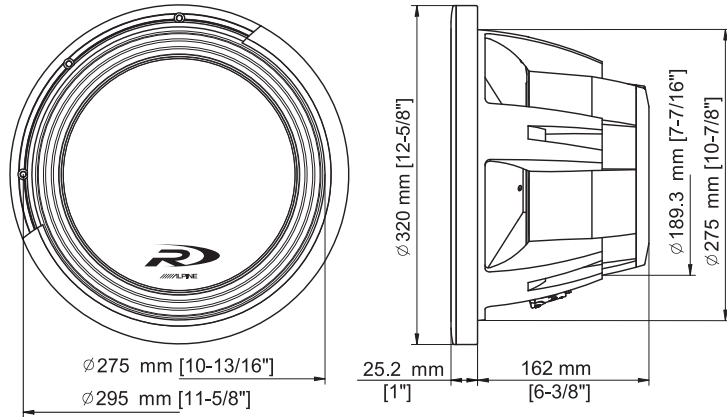
CAR RECEIVERS — Receivers • Media receivers and stations • Native receivers • CD/DVD changers • FM-modulators/USB adapters • Flash memory • Facia plates and adapters • Antennas • Accessories |  
CAR AUDIO — Car audio speakers • Amplifiers • Subwoofers • Processors • Crossovers • Headphones • Accessories | TRIP COMPUTERS — Universal computers • Model computers • Accessories |  
GPS NAVIGATORS — Portable GPS • Built-in GPS • GPS modules • GPS trackers • Antennas for GPS navigators • Accessories | VIDEO — DVR • TV sets and monitors • Car TV tuners • Cameras • Videomodules  
• Transcoders • Car TV antennas • Accessories | SECURITY SYSTEMS — Car alarms • Bike alarms • Mechanical blockers • Immobilizers • Sensors • Accessories | OPTIC AND LIGHT — Xenon • Bixenon • Lamps  
• LED • Stroboscopes • Optic and Headlights • Washers • Light, rain sensors • Accessories | PARKTRONICS AND MIRRORS — Rear parktronic • Front parktronic • Combined parktronic • Rear-view mirrors  
• Accessories | HEATING AND COOLING — Seat heaters • Mirrors heaters • Screen-wipers heaters • Engine heaters • Auto-refrigerators • Air conditioning units • Accessories | TUNING — Vibro-isolation  
• Noise-isolation • Tint films • Accessories | ACCESSORIES — Radar-detectors • Handsfree, Bluetooth • Windowlifters • Compressors • Beeps, loudspeakers • Measuring instruments • Cleaners • Carsits  
• Miscellaneous | MOUNTING — Installation kits • Upholstery • Grilles • Tubes • Cable and wire • Tools • Miscellaneous | POWER — Batteries • Converters • Start-charging equipment • Capacitors  
• Accessories | MARINE AUDIO AND ELECTRONICS — Marine receivers • Marine audio speakers • Marine subwoofers • Marine amplifiers • Accessories | CAR CARE PRODUCTS — Additives • Washer fluid •  
Care accessories • Car polish • Flavors • Adhesives and sealants | LIQUID AND OIL — Motor oil • Transmission oil • Brake fluid • Antifreeze • Technical lubricant



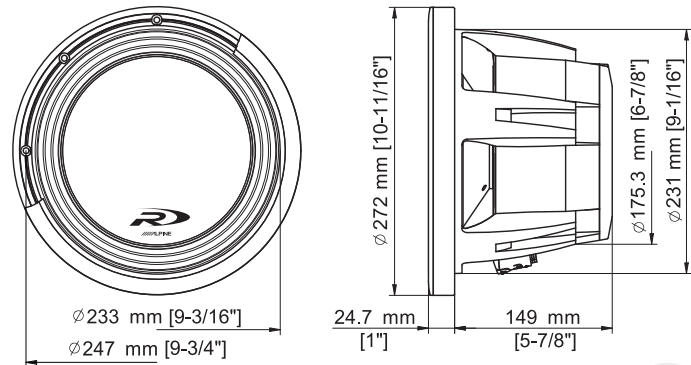
In store "130" you can find and buy almost all necessary goods for your auto in Kyiv and other cities, delivery by ground and postal services. Our experienced consultants will provide you with exhaustive information and help you to chose the very particular thing. We are waiting for you at the address

<http://130.com.ua>

SWR-12D2  
SWR-12D4



SWR-10D2  
SWR-10D4



## TYPE-R SUBWOOFER HAUT-PARLEUR D'EXTRÊMES GRAVES TYPE-R APPLICATION GUIDE GUIDE D' APPLICATION

### SWR-12D4

12 Inch Dual Voice Coil Subwoofer (4Ω)+(4Ω)  
Haut-parleur d'extrêmes graves à double bobine 12 po (4Ω)+(4Ω)

### SWR-12D2

12 Inch Dual Voice Coil Subwoofer (2Ω)+(2Ω)  
Haut-parleur d'extrêmes graves à double bobine 12 po (2Ω)+(2Ω)

### SWR-10D4

10 Inch Dual Voice Coil Subwoofer (4Ω)+(4Ω)  
Haut-parleur d'extrêmes graves à double bobine 10 po (4Ω)+(4Ω)

### SWR-10D2

10 Inch Dual Voice Coil Subwoofer (2Ω)+(2Ω)  
Haut-parleur d'extrêmes graves à double bobine 10 po (2Ω)+(2Ω)



ALPINE ELECTRONICS MARKETING, INC.  
1-7 Yukigaya-otsukamachi,  
Ota-ku, Tokyo 145-0067, Japan  
Tel: (03) 5499-4531

ALPINE ELECTRONICS OF AMERICA, INC.  
19145 Gramercy Place, Torrance,  
California 90501, U.S.A.  
Tel: 1-800-ALPINE-1 (1-800-257-4631)

ALPINE ELECTRONICS OF CANADA, INC.  
777 Supertest Road, Toronto,  
Ontario M3J 2M9, Canada  
Tel: (416) 736-6211

ALPINE ELECTRONICS OF AUSTRALIA PTY. LTD.  
161-165 Princes Highway, Hallam  
Victoria 3803, Australia  
Tel: (03) 8787-1200

ALPINE ELECTRONICS DE ESPAÑA, S.A.  
Portal de Gamarra 36, Pabellón 32  
01013 Vitoria (Álava). APDO. 133, Spain  
Tel: (945) 283-588

ALPINE ELECTRONICS GmbH  
Wilhelm-Wagenfele-Straße 1-3  
80807 München, Germany  
Tel: (089) 324-2640

ALPINE ELECTRONICS (Benelux) GmbH  
Leuvensesteenweg 510-B6  
1930 Zaventem, Belgium  
Tel: 02-7251315

ALPINE ELECTRONICS OF U.K., LTD.  
Alpine House Earlplace Business Park,  
Fletchamstead Highway, Coventry CV4, 9TW  
United Kingdom  
Tel: (2476) 719-500

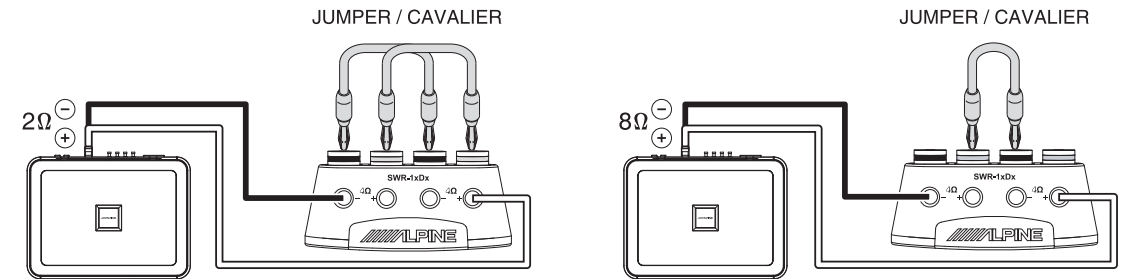
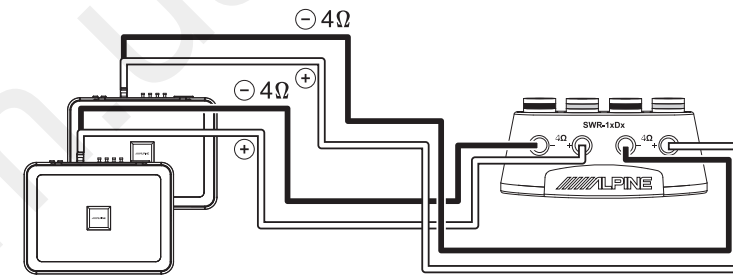
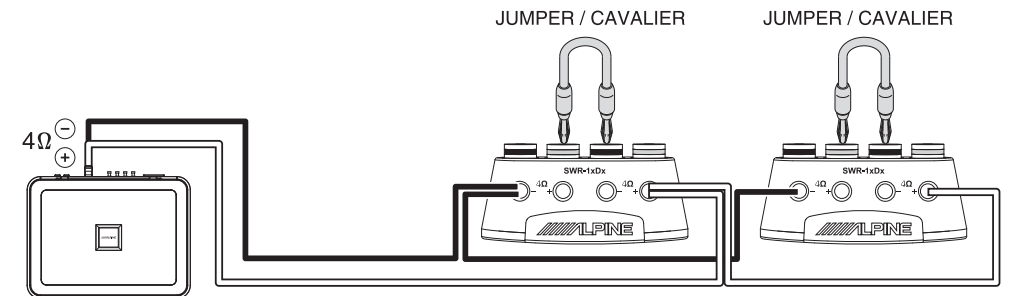
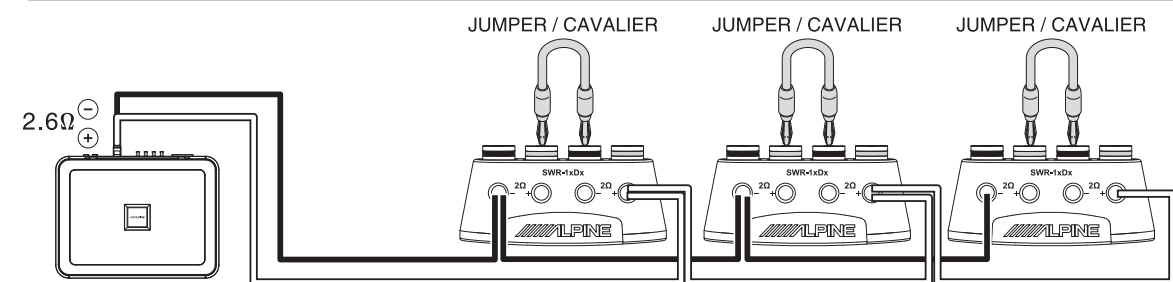
ALPINE ELECTRONICS FRANCE S.A.R.L.  
98, Rue de la Belle Etoile, Z.I. Paris Nord,  
B.P. 50016, 95945, Roissy Charles de Gaulle  
Cédex, France  
Tel: (01) 4863-8989

ALPINE ITALIA S.p.A.  
Viale C. Colombo 8,  
20090 Trezzano Sul Naviglio (MI), Italy  
Tel: (02) 484-781

Printed in CHINA

Ggneral Specifications		
Sealed	Taille	
Frequency Response	Response en Fréquence	
Power Range	Plage de Puissance	
Power Handling	Puissance Admissible	
Magnet Weight	Poids de l'aimant	
Voice Coil Diameter	Diamètre de la bobine	
Thiel-Small Parameters		
Sensitivity (1W/1m)	Sensibilité (1W/1m)	SPL
DC Resistance	Résistance CC	Re
Inductance	Inductance	Le
Free Air Resonance	Résonance à l'air libre	Fs
Equivalent Stiffness	Raiduer équivalente	Vas
Mechanical Q	Q Mécanique	Qms
Electrical Q	Q Électrique	Qes
Total Q	Q Total	Qts
Cone Area	Surface du diaphragme	Sd
Linear Excursion	Displacement Linéaire	Xmax (1-way)
Mechanical Travel	Déplacement Mécanique	Xmech (P-P)

Type-R			
SWR-10D2	SWR-10D4	SWR-12D2	SWR-12D4
2Ω+2Ω	4Ω+4Ω	2Ω+2Ω	4Ω+4Ω
10"		12"	
26Hz-200Hz		24Hz-200Hz	
300W-1000W RMS (efficace)			
1000W RMS (efficace) / 3000W PEAK (de crête)			
111 oz		127 oz	
65.5 mm (2.6")			
82 dB	82.1 dB	84.7 dB	84.9 dB
1.95Ω+1.95Ω	3.8Ω+3.8Ω	1.95Ω+1.95Ω	3.8Ω+3.8Ω
1.89 mH	3.04 mH	2.23 mH	3.33 mH
31 Hz	32 Hz	27 Hz	28 Hz
18 L		46 L	
7.84	7.05	7.1	6.04
0.54	0.59	0.47	0.52
0.51	0.55	0.44	0.48
333cm <sup>2</sup>		479 cm <sup>2</sup>	
20 mm			
70 mm		72 mm	

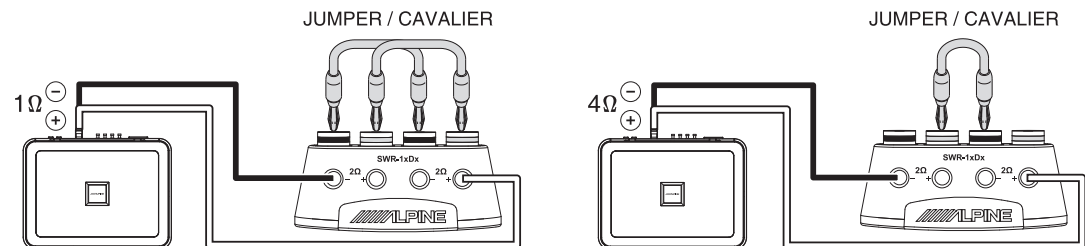
**4Ω + 4Ω**
**Example 1 One Amplifier + One Subwoofer**

**Example 3 Two Amplifiers + One Subwoofer**

**Example 5 One Amplifier + Two Subwoofers**

**Example 7 One Amplifier + Three Subwoofers**


Note: Specifications subject to change without notice

**2Ω + 2Ω**

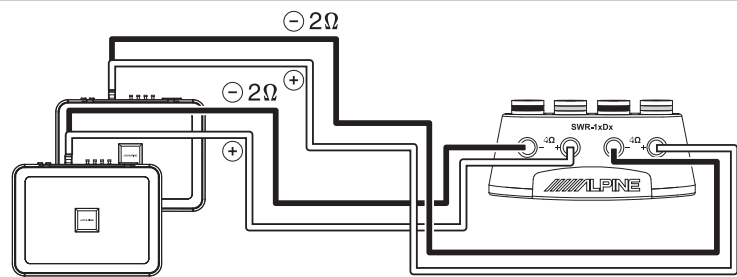
**SWR-10D4 / SWR-12D4  
SWR-10D2 / SWR-12D2**

**Example 2 One Amplifier + One Subwoofer**

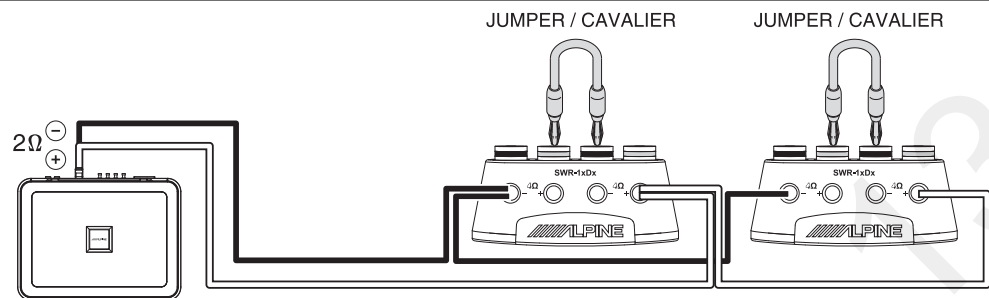


**Caution ! Consult amplifier owner's manual for 1Ω connection.  
Attention : lire le manuel de l'amplificateur pour la connexion à 1Ω .**

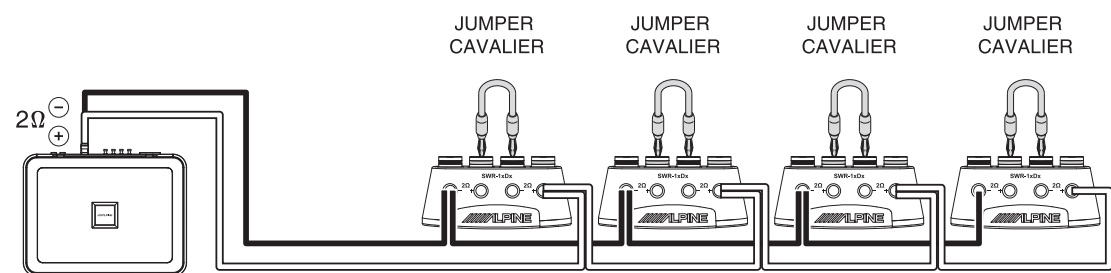
**Example 4 Two Amplifiers + One Subwoofer**



**Example 6 One Amplifier and Two Subwoofers**



**Example 8 One Amplifier + Four Subwoofers**



**TYPE-R WIRING WORKSHEET  
CÂBLAGE POUR TYPE-R**

		SWR-10D2/D4	SWR-12D2/D4
Sealed Box Range	Net Internal Volume	0.4-0.85 ft <sup>3</sup>	0.55-1.0 ft <sup>3</sup>
Recommended Sealed Box	External Box Dimensions	12"x12"x10.5"	14"x14"x11"
	Gross Internal Volume	0.58 ft <sup>3</sup>	0.85 ft <sup>3</sup>
	Net Internal Volume	0.50 ft <sup>3</sup>	0.75 ft <sup>3</sup>
	F3, Qtc	D2: 46 Hz, 0.74 D4: 44 Hz, 0.79	D2: 45 Hz, 0.75 D4: 45 Hz, 0.81
Vented Box Range	Net Internal Volume	0.75-1.3 ft <sup>3</sup>	1.0-1.5 ft <sup>3</sup>
	Tuning	35-39 Hz	32-37 Hz
Recommended Vented Box	External Box Dimensions	23" x 12" x 11.5"	23" x 12.5" x 14"
	Gross Internal Volume	1.3 ft <sup>3</sup>	1.71 ft <sup>3</sup>
	Aire de l'évent (dimensions)	10 in <sup>2</sup> (10"x1")	12.5 in <sup>2</sup> (12.5"x1")
	Gross Internal Volume	20"	19"
	Vent Displacement	0.2 ft <sup>3</sup>	0.23 ft <sup>3</sup>
	Net Internal Volume (Vb)	1.0 ft <sup>3</sup>	1.38 ft <sup>3</sup>
	F3, ripple, Fb	D2: 29Hz, 6.1dB, 36Hz D4: 28Hz, 5.8dB, 36Hz	D2: 29Hz, 4.6dB, 35Hz D4: 29Hz, 4.4dB, 35Hz

Notes:

- 1) Recommended enclosure net internal volume is based upon 3/4" (19mm) MDF enclosure construction.
- 2) Consult the table below for alternative enclosure net internal volume calculation.

Front Mount Displacement* (magnet in)	-0.08 ft <sup>3</sup>	-0.10 ft <sup>3</sup>
Reverse Mount Added Volume* (magnet out)	+0.05 ft <sup>3</sup>	+0.09 ft <sup>3</sup>

\*Based upon 3/4" (19mm) baffle thickness, with opening cut approximately to gasket inner diameter

		SWR-10D2/D4	SWR-12D2/D4
Game Box Sealed	Net volume interne	0.4-0.85 pi <sup>3</sup>	0.55-1.0 pi <sup>3</sup>
recommended Boîte Scellé	Dimensions de la boîte extérieures	12 po x 12 po x 10.5 po	14 po x 14 po x 11 po
	Volume intérieur brut	0.58 pi <sup>3</sup>	0.85 pi <sup>3</sup>
	Volume intérieur Net ***	0.50 pi <sup>3</sup>	0.75 pi <sup>3</sup>
	F3, Qtc	D2: 46 Hz, 0.74 D4: 44 Hz, 0.79	D2: 45 Hz, 0.75 D4: 45 Hz, 0.81
Gamme charge bass-reflex	Volume net interne	0.75-1.3 pi <sup>3</sup>	1.0-1.5 pi <sup>3</sup>
	mise au point	35-39Hz	32-37Hz
recommended charge bass-reflex	Dimensions extérieures	23 po x 12 po x 11.5 po	23 po x 12.5 po x 14 po
	Volume intérieur brut	1.3 pi <sup>3</sup>	1.71 pi <sup>3</sup>
	Aire de l'évent (dimensions)	10 in <sup>2</sup> (10 po x 1 po)	12.5 in <sup>2</sup> (12.5 po x 1 po)
	Longueur de l'évent	20 po	19 po
	déplacement de l'évent	0.2 pi <sup>3</sup>	0.23 pi <sup>3</sup>
	Volume intérieur Net (Vb)***	1.0 pi <sup>3</sup>	1.38 pi <sup>3</sup>
	F3, crête, Fb	D2: 29Hz, 6.1dB, 36Hz D4: 28Hz, 5.8dB, 36Hz	D2: 29Hz, 4.6dB, 35Hz D4: 29Hz, 4.4dB, 35Hz

Notes:

- 1) Recommandé enceinte volume net interne est basée sur 3/4" (19mm) de construction boîtier en MDF.
- 2) Consulter le tableau ci-dessous pour le calcul de filet d'enclos alternative volume interne.

Avant le déplacement du Mont * (aimant)	-0.08 ft <sup>3</sup>	-0.10 ft <sup>3</sup>
Inverser Volume mont Ajouté * (des aimants)	+0.05 ft <sup>3</sup>	+0.09 ft <sup>3</sup>

**High Amplitude Multi-Roll  
Santoprene® Surround**  
(Patent Pending)

**Reinforced Parabolic Cone Structure with  
Poly-Mica Dust Cap & Pulp-Kevlar Cone Body**

**Concealed  
Mount Gasket**  
(Integrated Grille System  
Ready, US Pat #7,760,900)

**Airflow Management &  
Heat Transfer System**  
(US Pat #7,684,585; #6,678,387)

**Reinforced Cone Neck  
& Spider Joint**

**Progressive Conex®  
Spider with Reinforced  
Layer Tinsel Leads**  
(US Pat #6,810,988)

**Compound Radius Curve  
Extended Pole Geometry**  
(US Pat #6,639,993)

**Integrated 8AWG Push  
Terminals with VC  
Configuration Jumpers**

**Cast Aluminum Frame with  
Integral Shorting Sleeve &  
Radial Vented Heat Sink**  
(US Pat #7,634,101; #7,272,238;  
other patents pending)

**High-Excursion Overhung  
Voice Coil Configuration**

**High-Grade Strontium Ferrite  
Segmented Magnet Assembly**

**Airflow Optimized  
Dual Flare Pole Vent**

**65mm Voice Coil with High-Temp  
4-Layer DVC Winding on Spiral Cut  
Black Anodized Aluminum Former**

