



PHONES

(044) 360-7-130
(050) 336-0-130
(063) 788-0-130
(067) 233-0-130
(068) 282-0-130

130
COM.UA

Internet store of
autogoods



ICQ
294-0-130
597-0-130

SKYPE
km-130

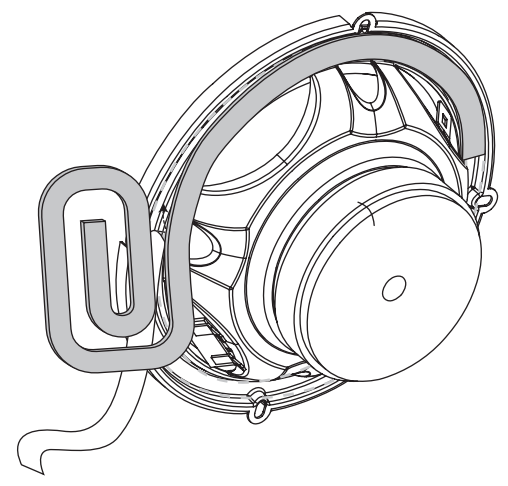
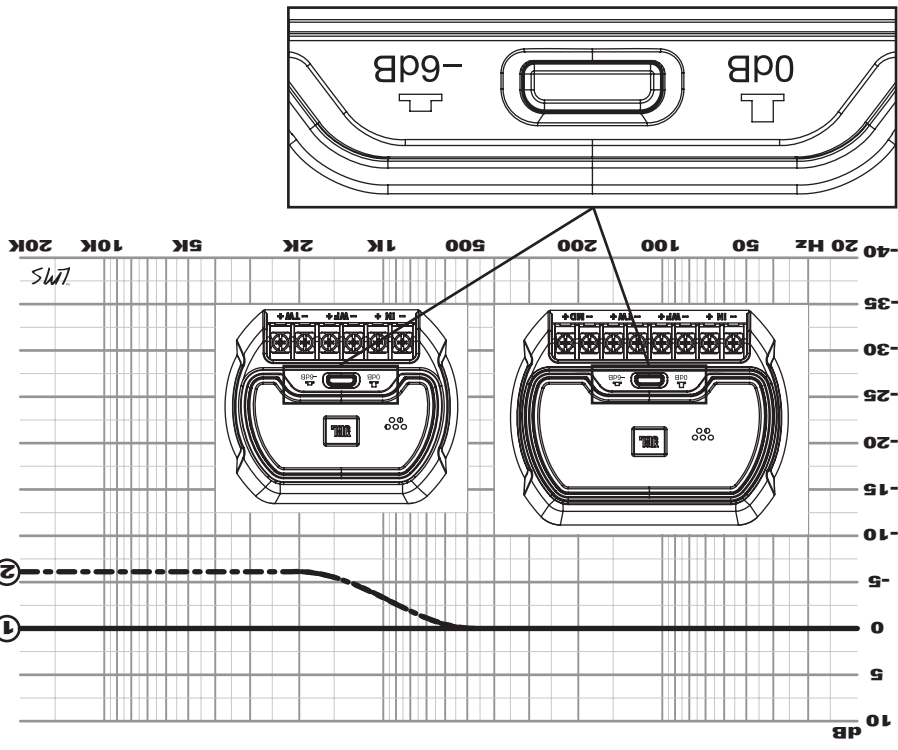
CAR RECEIVERS — Receivers • Media receivers and stations • Native receivers • CD/DVD changers • FM-modulators/USB adapters • Flash memory • Facia plates and adapters • Antennas • Accessories |
CAR AUDIO — Car audio speakers • Amplifiers • Subwoofers • Processors • Crossovers • Headphones • Accessories | TRIP COMPUTERS — Universal computers • Model computers • Accessories |
GPS NAVIGATORS — Portable GPS • Built-in GPS • GPS modules • GPS trackers • Antennas for GPS navigators • Accessories | VIDEO — DVR • TV sets and monitors • Car TV tuners • Cameras • Videomodules
• Transcoders • Car TV antennas • Accessories | SECURITY SYSTEMS — Car alarms • Bike alarms • Mechanical blockers • Immobilizers • Sensors • Accessories | OPTIC AND LIGHT — Xenon • Bixenon • Lamps
• LED • Stroboscopes • Optic and Headlights • Washers • Light, rain sensors • Accessories | PARKTRONICS AND MIRRORS — Rear parktronic • Front parktronic • Combined parktronic • Rear-view mirrors
• Accessories | HEATING AND COOLING — Seat heaters • Mirrors heaters • Screen-wipers heaters • Engine heaters • Auto-refrigerators • Air conditioning units • Accessories | TUNING — Vibro-isolation
• Noise-isolation • Tint films • Accessories | ACCESSORIES — Radar-detectors • Handsfree, Bluetooth • Windowlifters • Compressors • Beeps, loudspeakers • Measuring instruments • Cleaners • Carsits
• Miscellaneous | MOUNTING — Installation kits • Upholstery • Grilles • Tubes • Cable and wire • Tools • Miscellaneous | POWER — Batteries • Converters • Start-charging equipment • Capacitors
• Accessories | MARINE AUDIO AND ELECTRONICS — Marine receivers • Marine audio speakers • Marine subwoofers • Marine amplifiers • Accessories | CAR CARE PRODUCTS — Additives • Washer fluid •
Care accessories • Car polish • Flavors • Adhesives and sealants | LIQUID AND OIL — Motor oil • Transmission oil • Brake fluid • Antifreeze • Technical lubricant



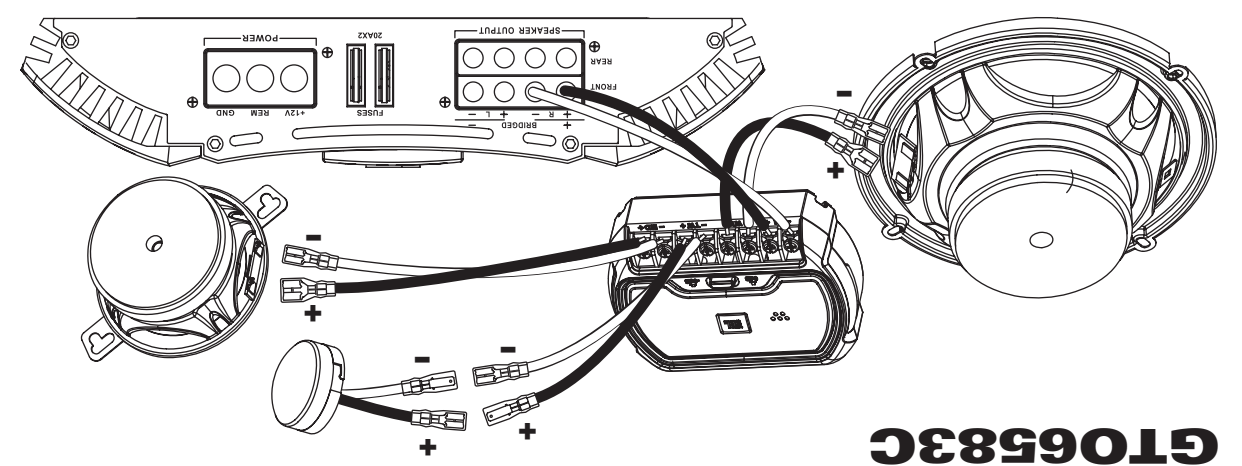
In store "130" you can find and buy almost all necessary goods for your auto in Kyiv and other cities, delivery by ground and postal services. Our experienced consultants will provide you with exhaustive information and help you to chose the very particular thing. We are waiting for you at the address

<http://130.com.ua>

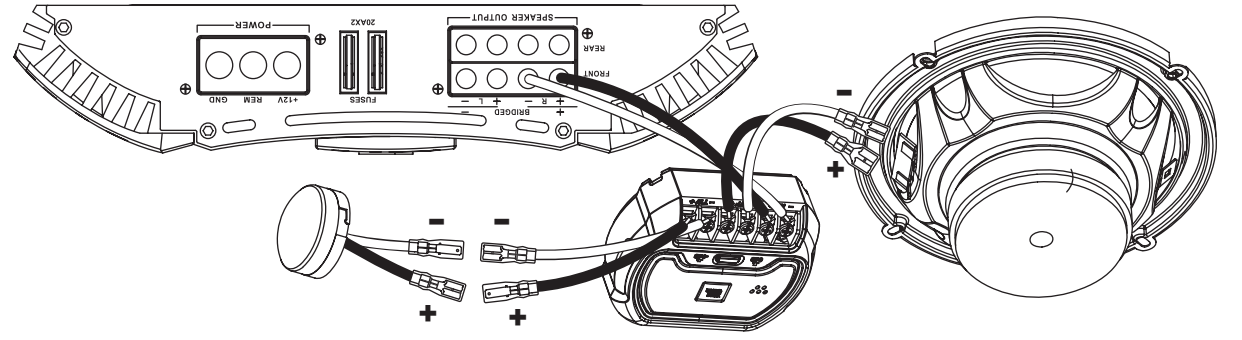
1 High Cut = 0dB 2 High Cut = -6dB



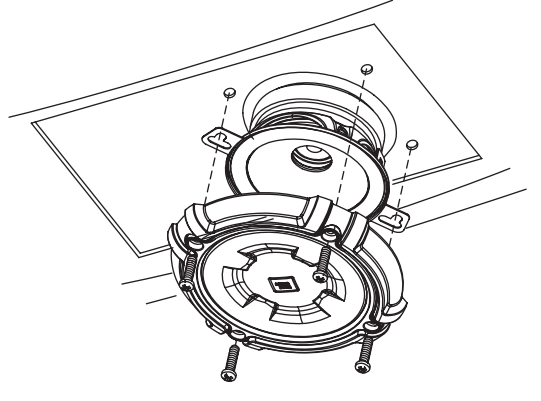
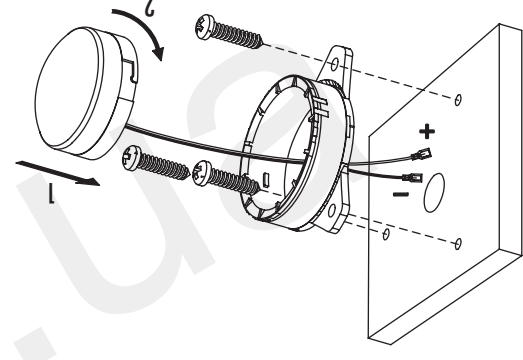
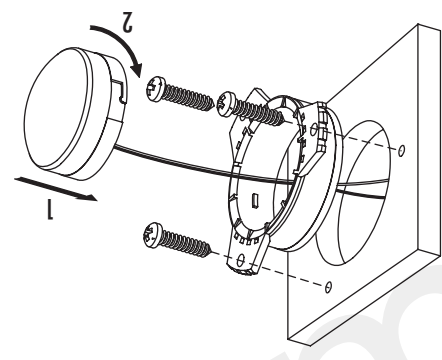
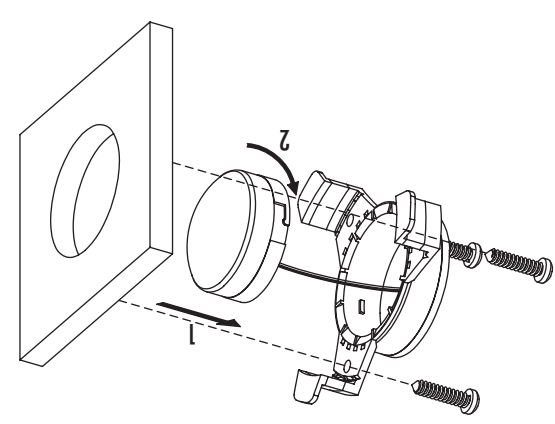
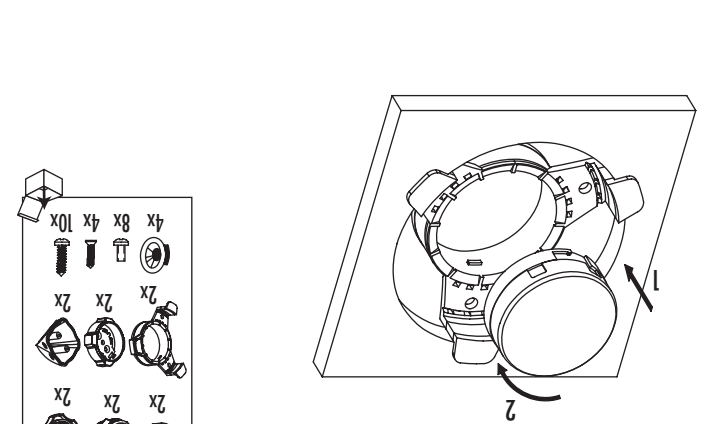
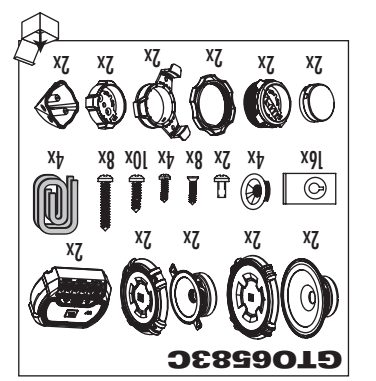
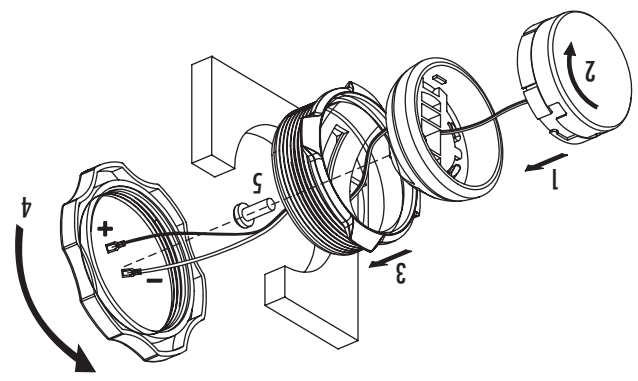
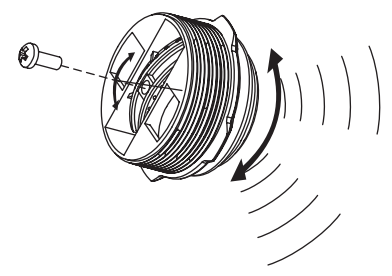
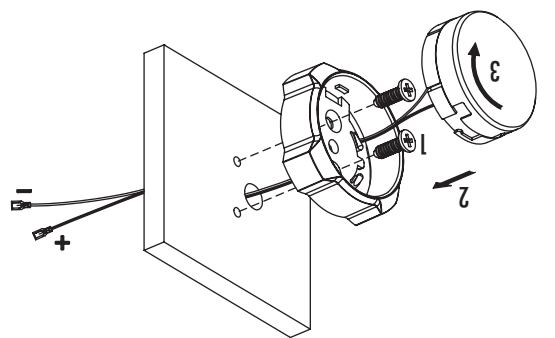
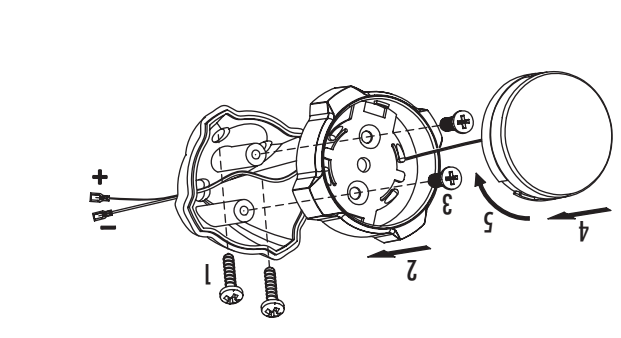
**GT0508C, GT0608C,
GT06508C, GT08608C,
GT06583C**



GT06583C

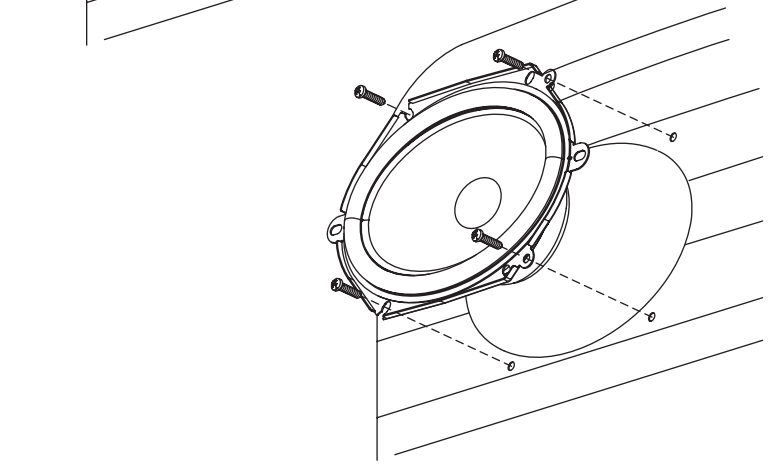
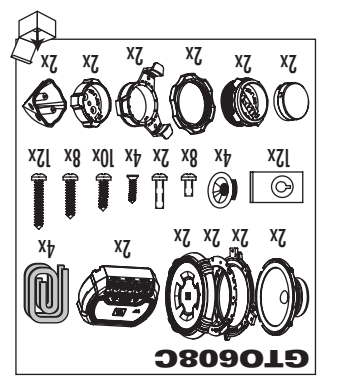
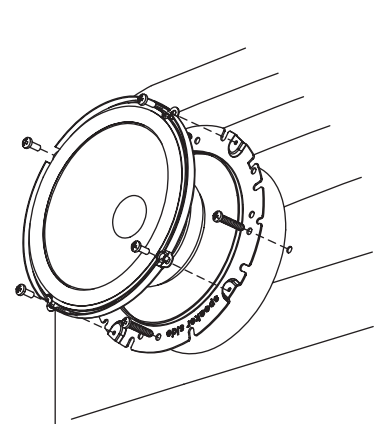
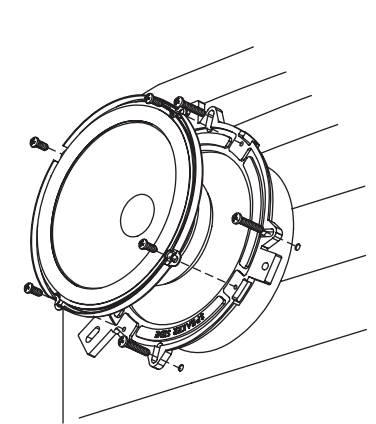
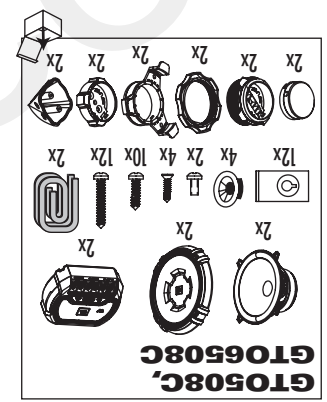
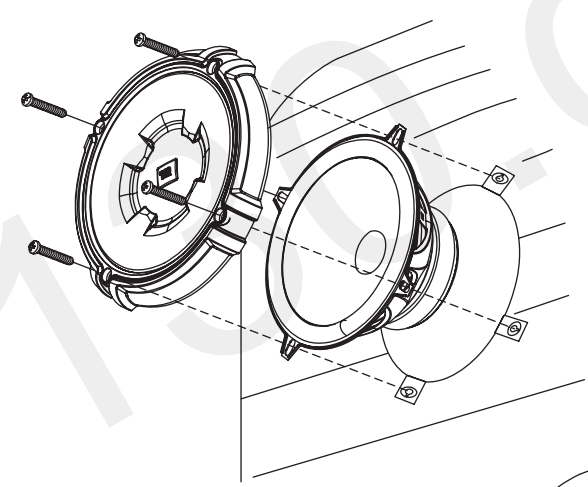
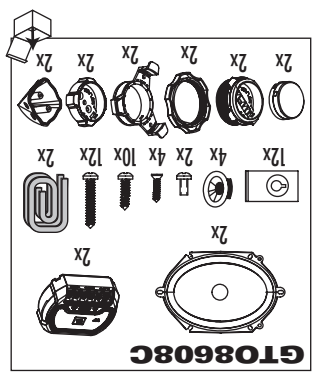
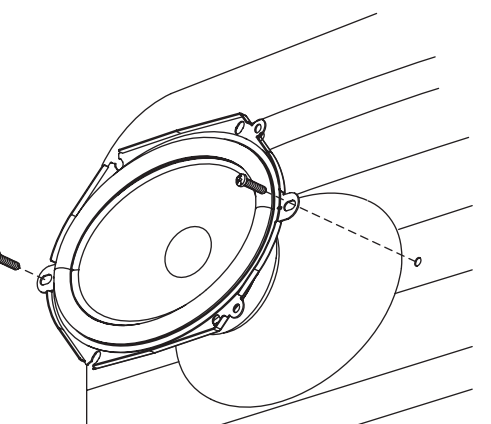


**GT0508C, GT0608C,
GT06508C, GT08608C**

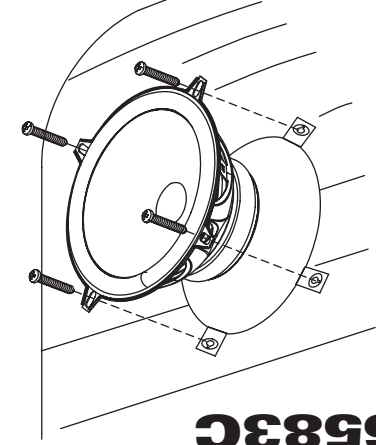


GT018T (GT0508C, GT0608C, GT06508C, GT08608C, GT06583C)

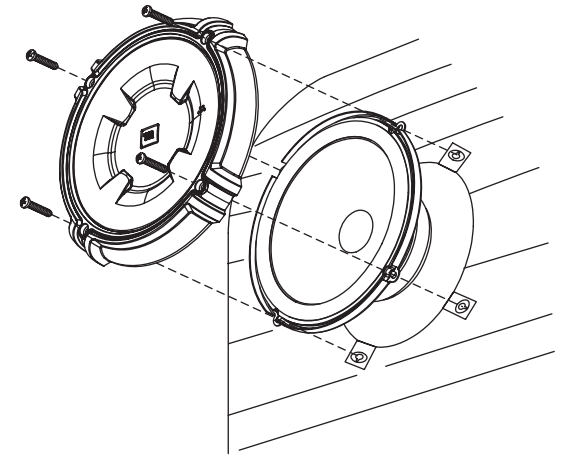
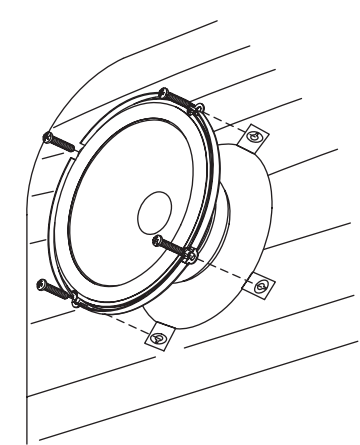
**3-1/2"/87mm
(GT06583C)**



GT08608C



**GT0508C, GT06508C,
GT06583C**



GT0608C

Designed and engineered in the USA.
A valid serial number is required for warranty coverage.
Features, specifications and appearance are subject to change without notice.
These products are designed for mobile applications and are not intended for connection to the mains.
Harman Consumer Group, Inc., 250 Crossways Park Drive, Woodbury, NY 11797 USA • www.jbl.com
© 2008 Harman International Industries, Incorporated. All rights reserved. Part No. GT00MP004/08
JBL and Grand Touring are trademarks of Harman International Industries, Incorporated, registered in the United States and/or other countries.
H A Harman International Company

Declaration of Conformity
CE
We, Harman Consumer Group, Inc.
2, route de Tours
72500 Château du Loir
France
declare in own responsibility that the products described in this owner's manual are in compliance with technical standards:
EN 61000-6-3:2001
EN 61000-6-1:2001
Klaus Leberitz
Harman Consumer Group, Inc.
Château du Loir, France 4/08



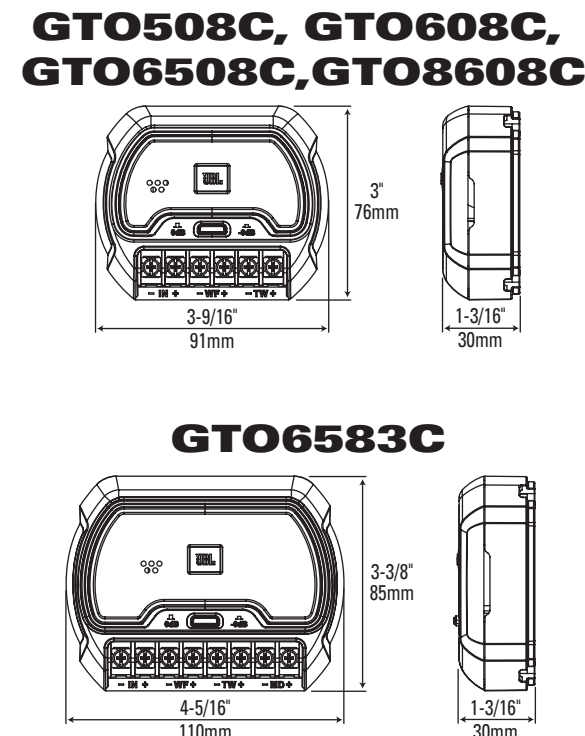
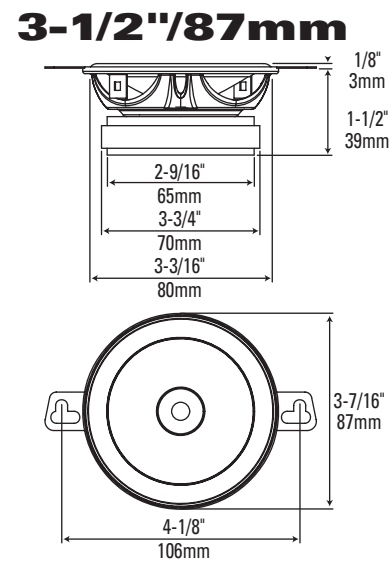
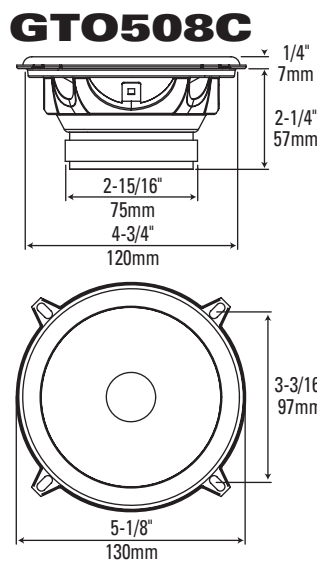
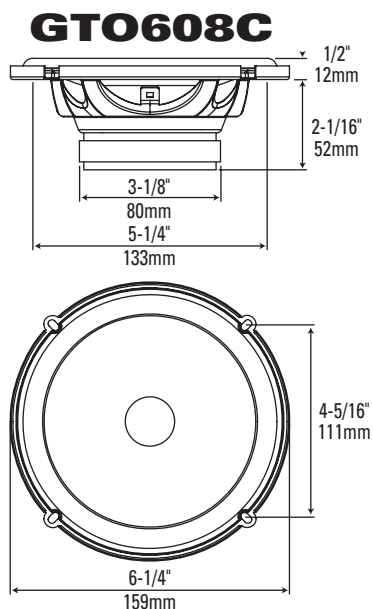
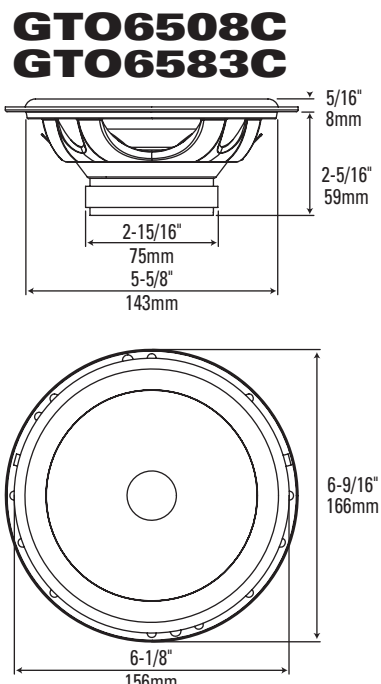
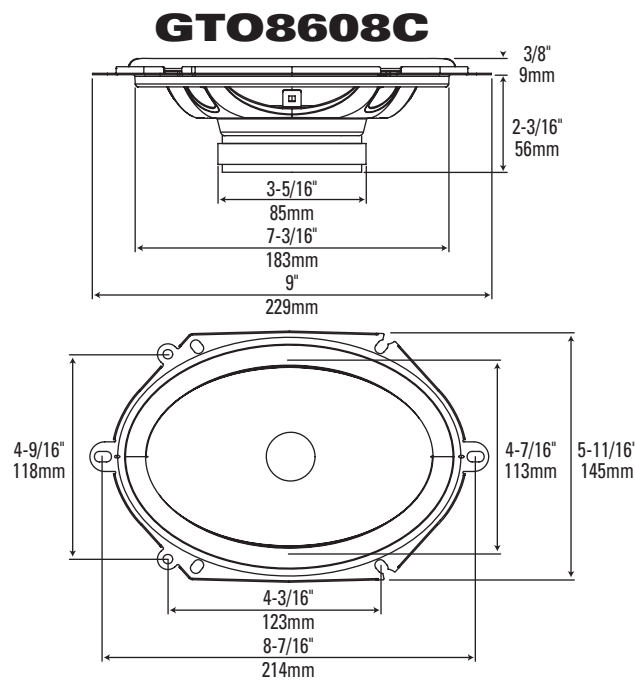
www.jbl.com

Autogood products internet store http://130.com.ua

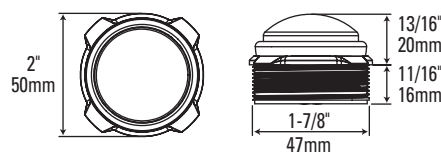
**GRAND
TOURING®
SERIES**

- GT0508C**
- GT0608C**
- GT06508C**
- GT08608C**
- GT06583C**
- GT018T**





GTO18T (GTO508C, GTO608C, GTO6508C, GTO8608C, GTO6583C)



	GTO508C	GTO608C	GTO6508C	GTO8608C	GTO6583C	3-1/2"87mm	GTO18T
BL (T-m)	3.47	3.85	3.74	3.88	3.54	2.36	-
DCR (ohms)	2.19	2.22	2.24	2.22	2.21	2.14	2.30
Mms (g)	10.28	14.20	14.56	17.45	14.11	3.35	-
Sd (sq cm)	86.6	122.7	130.6	163.0	130.6	46.6	-
Cms (µm/N)	355	257	269	204	307	238	-
Vas (l)	3.74	5.44	6.44	7.61	7.35	0.73	-
Fs (Hz)	83.3	83.3	80.4	84.4	76.5	178.2	-
Qes	0.98	1.11	1.18	1.36	1.20	1.44	-
Qms	6.31	7.27	8.08	9.98	5.09	3.62	-
Qt	0.85	0.97	1.03	1.20	0.97	1.03	-

GB	SPECIFICATIONS						
Type:	GTO508C 5-1/4" 2-Way Component System	GTO608C 6-1/2" · 6-3/4" 2-Way Component System	GTO6508C 165mm 2-Way Component System	GTO8608C 6" x 8"5/8" x 7" 2-Way Component System	GTO6583C 165mm 3-Way Component System	3-1/2"87mm 2 Ohms	GTO18T 1" Component Tweeter
Nominal Impedance:	2 Ohms	2 Ohms	2 Ohms	2 Ohms	2 Ohms	2 Ohms	2 Ohms
Power Handling, RMS:	55W	70W	70W	70W	80W	20W	50W
Power Handling, Peak:	165W	210W	210W	210W	240W	150W	150W
Frequency Response:	65Hz – 21kHz	50Hz – 21kHz	50Hz – 21kHz	50Hz – 21kHz	50Hz – 21kHz	2.5kHz – 21kHz	2.5kHz – 21kHz
Sensitivity (2.83V, 1m):	91dB	92dB	92dB	92dB	92dB	92dB	92dB

GENERAL CARE: The loudspeaker grilles may be cleaned with a damp cloth. Do not use any cleaners or solvents on the grilles or the speaker cones.
WARRANTY: Grand Touring® Series speakers are warranted against defects. The duration of the speaker's warranty depends on the laws in the country in which it was purchased. Your local JBL® car audio retailer can help you determine the length of your warranty. To register your product, please visit www.jbl.com.

GE	TECHNISCHE DATEN						
Type:	GTO508C 5-1/4" 2-Wege Komponenten system	GTO608C 6-1/2" · 6-3/4" 2-Wege Komponenten system	GTO6508C 165mm 2-Wege Komponenten system	GTO8608C 6" x 8"5/8" x 7" 2-Wege Komponenten system	GTO6583C 165mm 3-Wege Komponenten system	3-1/2"87mm 2 Ohm	GTO18T 25-mm-Hochtöner
Nennimpedanz:	2 Ohm	2 Ohm	2 Ohm	2 Ohm	2 Ohm	2 Ohm	2 Ohm
Belastbarkeit, RMS:	55 Watt	70 Watt	70 Watt	70 Watt	80 Watt	20 Watt	50 Watt
Belastbarkeit, Spitze:	165 Watt	210 Watt	210 Watt	210 Watt	240 Watt	150 Watt	150 Watt
Frequenzbereich:	65 Hz – 21 kHz	50 Hz – 21 kHz	50 Hz – 21 kHz	50 Hz – 21 kHz	50 Hz – 21 kHz	2,5 kHz – 21 kHz	2,5 kHz – 21 kHz
Wirkungsgrad @ 2,83V/1 meter:	91 dB	92 dB	92 dB	92 dB	92 dB	92 dB	92 dB

ALLGEMEINE PFLEGE: Sie können Sie Frontabdeckungen mit einem feuchten Tuch abwischen. Verwenden Sie bitte keine Reinigungsmittel oder Polituren beim Reinigen der Frontabdeckungen und Membranen.

GARANTIE: Sollte ein Defekt auftreten, können Sie die Herstellergarantie in Anspruch nehmen. Die Laufzeit dieser Garantie hängt von den Bestimmungen jenes Landes ab, in dem das Produkt gekauft wurde. Ihr lokaler JBL Fachhändler wird die Garantiedauer für Sie ermitteln. Sie können Ihr Produkt unter www.jbl.com registrieren.

F	CARACTÉRISTIQUES						
Type:	GTO508C 5-1/4" 2-voies Composant Système	GTO608C 6-1/2" · 6-3/4" 2-voies Composant Système	GTO6508C 165mm 2-voies Composant Système	GTO8608C 6" x 8"5/8" x 7" 2-voies Composant Système	GTO6583C 165mm 3-voies Composant Système	3-1/2"87mm 2 Ohms	GTO18T Composant 1" Tweeter
Impédance nominale :	2 Ohms	2 Ohms	2 Ohms	2 Ohms	2 Ohms	2 Ohms	2 Ohms
Tenue en puissance, RMS :	55W	70W	70W	70W	80W	50W	50W
Tenue en puissance, max. :	165W	210W	210W	210W	240W	150W	150W
Réponse en fréquence :	65Hz – 21kHz	50Hz – 21kHz	50Hz – 21kHz	50Hz – 21kHz	50Hz – 21kHz	2.5kHz – 21kHz	2.5 kHz – 21 kHz
Sensibilité @ 2,83V/1m :	91dB	92dB	92dB	92dB	92dB	92dB	92dB

ENTRETIEN GÉNÉRAL : Les grilles d'enceinte peuvent être nettoyées avec un chiffon humide. N'utilisez aucun nettoyant ou solvant sur les grilles ou les cônes d'enceinte.

GARANTIE : Les Grand Touring® sont garantis contre tout défaut. La durée de garantie du caisson dépend des lois du pays dans lequel il a été acheté. Votre détaillant local JBL d'audio d'automobile peut vous aider à déterminer la durée de la garantie. Pour enregistrer votre produit, veuillez nous rendre visite sur www.jbl.com.

ESP	ESPECIFICACIONES						
Tipo:	GTO508C 5-1/4" 2- vías Sistema de componentes	GTO608C 6-1/2" · 6-3/4" 2- vías Sistema de componentes	GTO6508C 165mm 2- vías Sistema de componentes	GTO8608C 6" x 8"5/8" x 7" 2- vías Sistema de componentes	GTO6583C 165mm 3- vías Sistema de componentes	3-1/2"87mm 2 Ohms	GTO18T Transductor de agudos 1" componente
Impedancia nominal:	2 ohmios	2 ohmios	2 ohmios	2 ohmios	2 ohmios	2 ohmios	2 ohmios
Manejo de potencia, RMS:	55W	70W	70W	70W	80W	50W	50W
Manejo de potencia, pico:	165W	210W	210W	210W	240W	150W	150W
Respuesta en frecuencia:	65Hz – 21kHz	50Hz – 21kHz	50Hz – 21kHz	50Hz – 21kHz	50Hz – 21kHz	2.5kHz – 21kHz	2.5kHz – 21kHz
Sensibilidad 2.83V @ 1 metro:	91dB	92dB	92dB	92dB	92dB	92dB	92dB

CUIDADOS GENERALES: Las rejillas del altavoz pueden limpiarse con un paño húmedo. No utilice líquidos limpiadores ni disolventes en las rejillas ni en los conos del altavoz.

GARANTÍA: Las Grand Touring® están garantizadas contra cualquier defecto. La duración de la garantía de la caja varia en función de las leyes del país en el que se adquirió. Su distribuidor local de JBL car audio le ayudará a determinar la duración de su garantía. Para registrar el producto, visítenos en www.jbl.com.

NED	SPECIFICATIES						
Type:	GTO508C 5-1/4" 2-weg Component System	GTO608C 6-1/2" · 6-3/4" 2-weg Component System	GTO6508C 165mm 2-weg Component System	GTO8608C 6" x 8"5/8" x 7" 2-weg Component System	GTO6583C 165mm 3-weg Component System	3-1/2"87mm 2 Ohm	GTO18T 1" Component Tweeter
Nominale impedantie:	2 Ohm	2 Ohm	2 Ohm	2 Ohm	2 Ohm	2 Ohm	2 Ohm
Belastbaarheid RMS:	55W	70W	70W	70W	80W	50W	50W
Belastbaarheid Piek:	165W	210W	210W	210W	240W	150W	150W
Frequentiebereik:	65Hz – 21kHz	50Hz – 21kHz	50Hz – 21kHz	50Hz – 21kHz	50Hz – 21kHz	2.5kHz – 21kHz	2.5kHz – 21kHz
Gevoeligheid 2,83V @ 1 meter:	91dB	91dB	92dB	92dB	92dB	92dB	92dB

ALGEMEEN: De luidsprekergrills kunnen met een vochtige doek worden schoongemaakt. Gebruik nooit schoonmaakmiddelen of oplosende middelen om de grill of de conus schoon te maken.

GARANTIE: Grand Touring® behuizingen worden gegarandeerd op fabrieksfouten. De duur van de garantie wordt bepaald door wettelijke regelingen in het land van aankoop. Uw lokale JBL car audio dealer kan u helpen aan nadere gegevens. Om uw product te registreren bezoek u ons op www.jbl.com.

ITA	SPECIFICHE						
Tipo:	GTO508C 5-1/4" 2-vie Sistema di diffusori	GTO608C 6-1/2" · 6-3/4" 2-vie Sistema di diffusori	GTO6508C 165mm 2-vie Sistema di diffusori	GTO8608C 6" x 8"5/8" x 7" 2-vie Sistema di diffusori	GTO6583C 165mm 3-vie Sistema di diffusori	3-1/2"87mm 2 Ohm	GTO18T 1" Componente Tweeter
Impedenza nominale:	2 Ohm	2 Ohm	2 Ohm	2 Ohm	2 Ohm	2 Ohm	2 Ohm
Tenuta in potenza, RMS:	55W	70W	70W	70W	80W	50W	50W
Tenuta in potenza, Picco:	165W	210W	210W	210W	240W	150W	150W
Risposta in frequenza:	65Hz – 21kHz	50Hz – 21kHz	50Hz – 21kHz	50Hz – 21kHz	50Hz – 21kHz	2.5kHz – 21kHz	2.5kHz – 21kHz
Sensibilità 2.83V @ 1 metro:	91dB	92dB	92dB	92dB	92dB	92dB	92dB

MANUTENZIONE GENERALE: Le griglie degli altoparlanti possono essere pulite con un panno umido. Non utilizzare detersivi o solventi sulle griglie o sui coni degli altoparlanti.

GARANZIA: Viene garantita la mancanza di difetti nelle strutture Grand Touring® Series. La durata della garanzia delle strutture varia in base alle leggi vigenti nel Paese in cui vengono acquistate. Per informazioni sulla durata della garanzia, rivolgersi al rivenditore di sistemi audio per auto JBL più vicino. Per registrare un prodotto, è possibile visitarlo il sito web www.jbl.com.

SV	SPECIFIKATIONER						
Type:	GTO508C 5-1/4" 2-vägs Komponent System	GTO608C 6-1/2" · 6-3/4" 2-vägs Komponent System	GTO6508C 165mm 2-vägs Komponent System	GTO8608C 6" x 8"5/8" x 7" 2-vägs Komponent System	GTO6583C 165mm 3-vägs Komponent System	3-1/2"87mm 2 Ohms	GTO18T 1" komponent Diskant Högtalare
Nominal Impedance:	2 ohm	2 ohm	2 ohm	2 ohm	2 ohm	2 ohm	2 ohm
Power Handling, RMS:	55 W	70 W	70 W	70 W	80 W	20 W	50 W
Power Handling, Peak:	165 W	210 W	210 W	210 W	240 W	150 W	150 W
Frequency Response:	65 Hz – 21 kHz	50 Hz – 21 kHz	50 Hz – 21 kHz	50 Hz – 21 kHz	50 Hz – 21 kHz	2.5 kHz – 21 kHz	2.5 kHz – 21 kHz
Sensitivity (2.83V, 1m):	91 dB	92 dB	92 dB	92 dB	92 dB	92 dB	92 dB

ALLMÄN SKÖTTSEL: Högtalarens frontgaller kan rengöras med en fuktad duk. Använd inget rengöringsmedel på frontgaller eller på högtalarkonon.
GARANTI: Tala med din JBL handlare om den garanti som gäller för denna produkt. www.jbl.com.

BK	SPECIFIKATIONER						
Type:	GTO508C 5-1/4" 2-Vejs Komponent System	GTO608C 6-1/2" · 6-3/4" 2-Vejs Komponent System	GTO6508C 165mm 2-Vejs Komponent System	GTO8608C 6" x 8"5/8" x 7" 2-Vejs Komponent System	GTO6583C 165mm 3-Vejs Komponent System	3-1/2"87mm 2 Ohm	GTO18T 1" Komponent Diskant
Nominel impedans:	2 Ohm	2 Ohm	2 Ohm	2 Ohm	2 Ohm	2 Ohm	2 Ohm
Effekthåndtering, RMS:	55 W	70 W	70 W	70 W	80 W	50 W	50 W
Effekthåndtering, Spids:	165 W	210 W	210 W	210 W	240 W	150 W	150 W
Frekvensgang:	65 Hz – 21 kHz	50 Hz – 21 kHz	50 Hz – 21 kHz	50 Hz – 21 kHz	50 Hz – 21 kHz	2,5 kHz – 21 kHz	2,5 kHz – 21 kHz
Følsomhed 2,83V @ 1 meter:	91 dB	92 dB	92 dB	92 dB	92 dB	92 dB	92 dB

VEDLIGEHOLDELSE: Højttalerfronterne kan rengøres med en fugtig klud. Brug aldrig rengøringsprodukter eller opløsningsmidler på fronter eller højttalermembraner.

GARANTI: Grand Touring® Series systemerne er omfattet af garanti mod fejl og mangler. Garantiens varighed er i henhold til gældende lov. Kontakt din lokale JBL forhandler for nærmere oplysning. Du kan registrere dit køb på www.jbl.com.

SUOMI	TEKNISET TIEDOT						
Tyyppi:	GTO508C 5-1/4" 2-tie Komponent System	GTO608C 6-1/2" · 6-3/4" 2-tie Komponent System	GTO6508C 165mm 2-tie Komponent System	GTO8608C 6" x 8"5/8" x 7" 2-tie Komponent System	GTO6583C 165mm 3-tie Komponent System	3-1/2"87mm 2 Ohm	GTO18T 1" Komponentti Diskantti
Nimellisimpedanssi:	2 ohmia	2 ohmia	2 ohmia	2 ohmia	2 ohmia	2 Ohms	2 Ohms
Tehonsieto (RMS):	55 W	70 W	70 W	70 W	80 W	50 W	50 W
Tehonsieto (huippu):	165 W	210 W	210 W	210 W	240 W	150 W	150 W
Taajuusvaste:	65 Hz – 21 kHz	50 Hz – 21 kHz	50 Hz – 21 kHz	50 Hz – 21 kHz	50 Hz – 21 kHz	2,5 kHz – 21 kHz	2,5 kHz – 21 kHz
Herkkyyks 2,83V @ 1 m:	91 dB	92 dB	92 dB	92 dB	92 dB	92 dB	92 dB

HOITO: Puhdistusta kauttimien suojaritillä tarvittaessa kostealla kangaspyyhkeellä. Älä käytä puhdistusaineita tai liuottimia suojaritilän tai kartion puhdistuksessa.

TAKUU: Grand Touring® Series takuu varmistaa laitteen toimivuuden. Takuun voimassaoaika riippuu hankintamaan laeista ja säädöksistä, joten se kannattaa tarkistaa valtuutetulta JBL -kauppiailta. Tuotteen voi rekisteröidä verkkosivuilta, osoitteessa www.jbl.com.

POR	ESPECIFICAÇÕES						
Tipo:	GTO508C 5-1/4" 2-Way Component System	GTO608C 6-1/2" · 6-3/4" 2-Way Component System	GTO6508C 165mm 2-Way Component System	GTO8608C 6" x 8"5/8" x 7" 2-Way Component System	GTO6583C 165mm 3-Way Component System	3-1/2"87mm 2 Ohms	GTO18T 1" Component Tweeter
Impedância nominal:	2 ohms	2 ohms	2 ohms	2 ohms	2 ohms	2 ohms	2 ohms
Potência, RMS:	55W	70W	70W	70W	80W	50W	50W
Potência, Pico:	165W	210W	210W	210W	240W	150W	150W
Frequência Resposta:	65Hz – 21kHz	50Hz – 21kHz	50Hz – 21kHz	50Hz – 21kHz	50Hz – 21kHz	2.5kHz – 21kHz	2.5kHz – 21kHz
Sensibilidade 2,83V @ 1 metro:	91dB	92dB	92dB	92dB	92dB	92dB	92dB

CUIDADOS GERAIS: As grelhas das colunas podem ser limpas com um pano húmido. Não use nenhum líquido de limpeza ou solventes nos cones nem nas grelhas das colunas.

GARANTIA: As Grand Touring® Series têm garantia contra defeitos de fabrico. A duração da garantia depende das leis existente no país em que compra. O retalhista local da JBL pode ajudá-lo a determinar o tempo da duração da garantia. Garantia. Para registar o seu produto, por favor visite-nos em www.jbl.com.

POL	DANE TECHNICZNE						
Typ:	GTO508C 5 1/4" 2-drożny zestaw głośnikowy	GTO608C 6 1/2" · 6 3/4" 2-drożny zestaw głośnikowy	GTO6508C 165mm 2-drożny zestaw głośnikowy	GTO8608C 6" x 8"5/8" x 7" 2-drożny zestaw głośnikowy	GTO6583C 165mm 3-drożny zestaw głośnikowy	3-1/2"87mm 2 Ohms	GTO18T tweeter oddzielny 1"
Impedancja nominalna:	2 Ohms	2 Ohms	2 Ohms	2 Ohms	2 Ohms	2 Ohms	2 Ohms
Moc ciągła RMS:	55W	70W	70W	70W	80W	50W	50W
Moc szczytowa:	165W	210W	210W	210W	240W	150W	150W
Passmo przenoszenia:	65Hz – 21kHz	50Hz – 21kHz	50Hz – 21kHz	50Hz – 21kHz	50Hz – 21kHz	2.5kHz – 21kHz	2.5kHz – 21kHz
Skuteczność (2,83V @ 1m):	91dB	92dB	92dB	92dB	92dB	92dB	92dB

UTRZYMANIE: Maskownice głośników mogą być czyszczone wilgotną szmatką. Nie należy stosować żadnych środków czyszczących do mycia maskownic i membran.

GWARANCJA: Skrzynice basowe Grand Touring® Series są objęte gwarancją. Długość ochrony gwarancyjnej zależy od prawa obowiązującego w danym kraju. Lokalny przedstawiciel JBL poinformuje Cię o długości gwarancji. Aby zapoznać się z innymi produktami, odwiedź stronę www.jbl.com.

RUS	ХАРАКТЕРИСТИКИ						
Тип:	GTO508C 5-1/4" 2-Полосная Компонентная Система	GTO608C 6-1/2" · 6-3/4" 2-Полосная Компонентная Система	GTO6508C 165mm 2-Полосная Компонентная Система	GTO8608C 6" x 8"5/8" x 7" 2-Полосная Компонентная Система	GTO6583C 165mm 3-Полосная Компонентная Система	3-1/2"87mm 2 Ом	GTO18T 25 мм · 1" Твиттер
Номинальный импеданс:	2 Ом						