



PHONES

(044) 360-7-130
(050) 336-0-130
(063) 788-0-130
(067) 233-0-130
(068) 282-0-130

130 Internet store of autogoods

COM.UA



ICQ
294-0-130
597-0-130

SKYPE
km-130

CAR RECEIVERS — Receivers • Media receivers and stations • Native receivers • CD/DVD changers • FM-modulators/USB adapters • Flash memory • Facia plates and adapters • Antennas • Accessories | CAR AUDIO — Car audio speakers • Amplifiers • Subwoofers • Processors • Crossovers • Headphones • Accessories | TRIP COMPUTERS — Universal computers • Model computers • Accessories | GPS NAVIGATORS — Portable GPS • Built-in GPS • GPS modules • GPS trackers • Antennas for GPS navigators • Accessories | VIDEO — DVR • TV sets and monitors • Car TV tuners • Cameras • Videomodules • Transcoders • Car TV antennas • Accessories | SECURITY SYSTEMS — Car alarms • Bike alarms • Mechanical blockers • Immobilizers • Sensors • Accessories | OPTIC AND LIGHT — Xenon • Bixenon • Lamps • LED • Stroboscopes • Optic and Headlights • Washers • Light, rain sensors • Accessories | PARKTRONICS AND MIRRORS — Rear parktronic • Front parktronic • Combined parktronic • Rear-view mirrors • Accessories | HEATING AND COOLING — Seat heaters • Mirrors heaters • Screen-wipers heaters • Engine heaters • Auto-refrigerators • Air conditioning units • Accessories | TUNING — Vibro-isolation • Noise-isolation • Tint films • Accessories | ACCESSORIES — Radar-detectors • Handsfree, Bluetooth • Windowlifters • Compressors • Beeps, loudspeakers • Measuring instruments • Cleaners • Carsits • Miscellaneous | MOUNTING — Installation kits • Upholstery • Grilles • Tubes • Cable and wire • Tools • Miscellaneous | POWER — Batteries • Converters • Start-charging equipment • Capacitors • Accessories | MARINE AUDIO AND ELECTRONICS — Marine receivers • Marine audio speakers • Marine subwoofers • Marine amplifiers • Accessories | CAR CARE PRODUCTS — Additives • Washer fluid • Care accessories • Car polish • Flavors • Adhesives and sealants | LIQUID AND OIL — Motor oil • Transmission oil • Brake fluid • Antifreeze • Technical lubricant



In store "130" you can find and buy almost all necessary goods for your auto in Kyiv and other cities, delivery by ground and postal services. Our experienced consultants will provide you with exhaustive information and help you to chose the very particular thing. We are waiting for you at the address

<http://130.com.ua>

6 KRXS (165 KRXS WOOFER KIT)

6" K2 Power Woofer

- Mounting depth 2^{3/16"} (55,5mm)
- Very high sensitivity
- Neodymium magnet



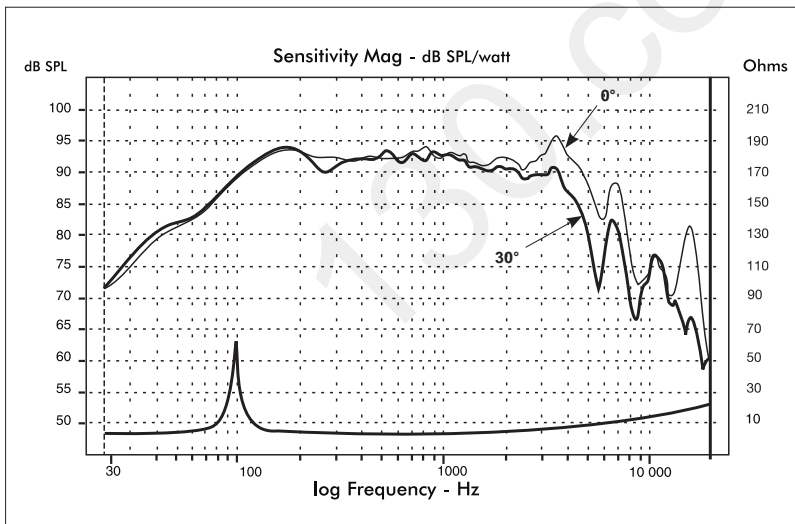
Specifications

Nominal power	60W	
Maximum power	120W	
Sensitivity	94 dB	
Cone	CKMV	
Surround	Butyl	
Nom. impedance	4 ohms	
DC resistance	2,83 ohms	
VC diameter	32 mm	1-1/4 in
VC height	10,5 mm	0-7/16 in
Former	Kapton	
Layers	2	
Wire	Copper	
Inductance	0,22mH	
Xmax	3,5mm	0-1/18 in
Magnet	Neodymium	
Magnet weight	350g	
Flux density	1T	
Gap height	4mm	0-3/16 in
Net weight	550g	

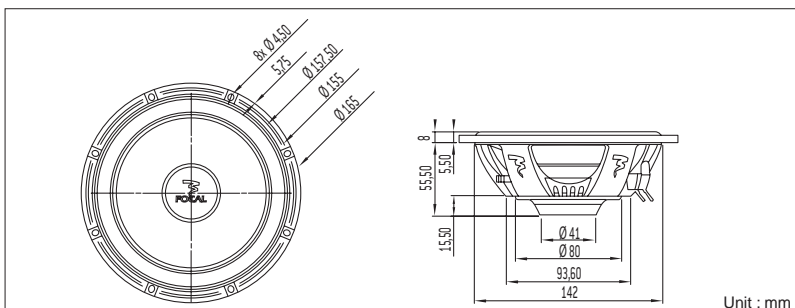
Parameters

Fs	91,18 Hz
Vas	6,13 liters
Qts	0,79
Qes	0,82
Qms	18,73
Re	2,83 Ohms
Sd	143,14 cm ²
Cas	4,37E-08 m ⁵ /N
Mas	69,75 Kg/m ⁴
Ras	2133,34 ohms.ac
Cms	2,13E-4 m/N
Mms	14,29 g
Rms	0,437 Kg/s
Ces	505,76 mF
Les	6,02 mH
Res	64,64 ohms
BI	5,31 N/A
SPL	89,4 dB

Frequency Response / Impedance



Mechanical Drawing



Suggested application

Load	V (l)	Fb (Hz)	F-3 (Hz)	Ql
Sealed	30	-	85	7

©Focal-JMlab - DB080418/1

Focal® is a trademark of Focal-JMlab® - BP 374 - 108, rue de l'Avenir - 42353 La Taubaudière cedex France - Tél. (33) 04 77 43 57 00 - Fax (33) 04 77 37 65 87 - www.focal-fr.com - SCBD090408/1



NOTICE KITS K2 POWER

Congratulations on purchasing a product from the range, K2 Power. We are happy you share our passion, for the "the Spirit of Sound". Designed using the latest technology, these speakers continue Focals perfectionist beliefs, developing products with high power handling, and unrivalled sound quality. To obtain the best results from this product, we recommend that you follow carefully all the information contained in this user's manual. If not followed correctly any fault observed, may not be covered by the guarantee.

Warning

Continued listening at high volume levels above 110dB, are damage your hearing durably. Listening above 130dB can damage your hearing permanently.

The Focal-JMLab guarantee only applies if the enclosed guarantee card is returned to us within 10 days of purchase.

Information

We make different measure types on baffle plan of our speakers and crossovers in order to guarantee the best settings according to the placing of your loudspeakers (**fig. A**). For a use on a display shelf, we recommend the crossover settings as follow: tweeter level at 0dB, woofer in Flat mode and filtering slope at 18dB/oct. for the kits that have this function (**fig. B**). For any installation in your vehicle, please refer to the remainder of the user manual.

Features

Membrane K2 Power:

New CMKV sandwich composite, including (Aramid fiber, foam, and structural glass fibre). Three individual materials, each with their own advantages, allow the cone to be extremely rigid, with continued low mass value, and increased damping characteristics, even when played loud. This ensures improved power handling, with detailed sound quality, low distortion even at high volume levels.

Chassis made from Aluminum:

Inherently rigid and non magnetic.

Voice coil wound on Kapton former:

Light-weight and highly durable material ensures no deformation of voice coil.

Butyl moulded rubber surround suspension:

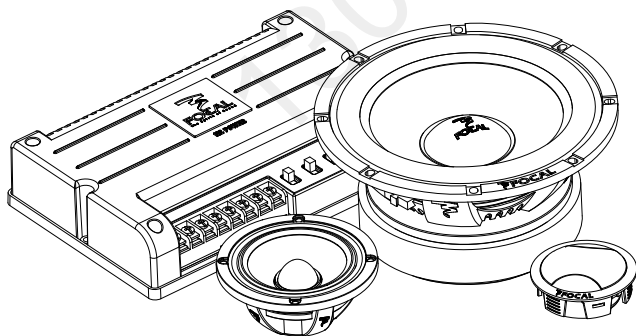
Long life characteristics, even in the most extreme climates.

TN53K with inverted tweeter dome:

Inverted dome formed in aramid fiber material. Producing detailed high frequencies, acoustically rich and dynamic. Controlled with twin radius wave guides, for totally controlled staging and directivity.

Crossover of high precision:

Precise level adjustment of tweeter and medium available. High quality audiophile components used throughout. Large wire gauge connections included.



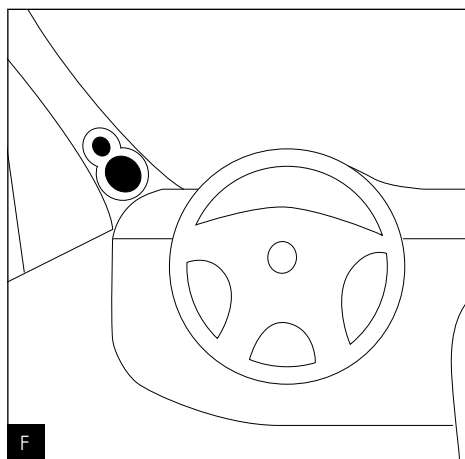
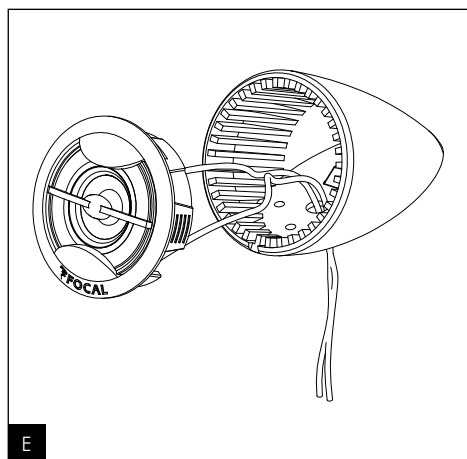
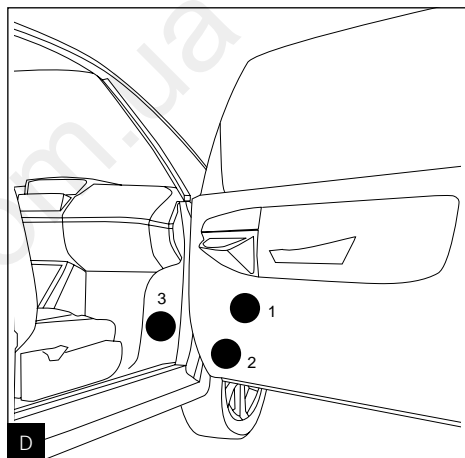
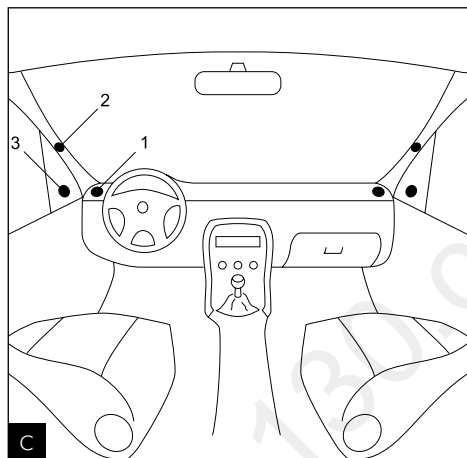
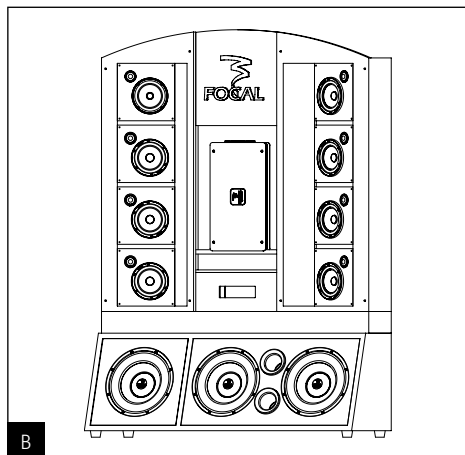
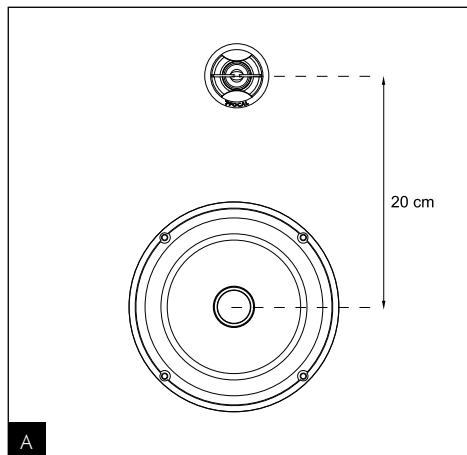
**FOCAL**
the spirit of sound

CE

Focal-JMLab® - BP 374 - 108, rue de l'Avenir - 42353 La Talaudière cedex - France - www.focal-fr.com
Tél. (+33) 04 77 43 57 00 - Fax (+33) 04 77 37 65 87

Dans un but d'évolution, Focal-JMLab se réserve le droit de modifier les spécifications techniques de ses produits sans préavis. Images non contractuelles. ©Focal-JMLab

01



INSTALLATION AND POSITIONING

Tweeter

The TN 53k tweeter has been designed for flush mount or surface mount positioning, using the two fixing kits provided. The choice of install position is extremely important to deliver the best performance and maintain integration into the system. This is a major factor for high frequency SPL, and the the stability of the acoustics, stereophonic imaging, and overall staging. Please check the drawing to understand this further.

The standard recommendation for ideal stereo imaging, is to ensure the tweeters "left" and "right", are installed in the same positions. Also they are approximately at equal distance to the driver (vice-versa for the passenger). The various positions advised should be verified and comparatives made, for ideal positioning.

The tweeter should always be positioned ahead of the normal listening position. The main preferences are the outer positions of the dash board (**pic. C, 1**), close to the windshield (**pic. C, 2**). Normally easy for installation. The location close to the door mirror (**pic. C, 3**) is also regarded as a good position, and normally only requires a small amount of install work.

Woofers-midrange

K2 Power woofer-midranges, positioned ideally high in the doors (**pic. D, 1**), produce optimal midrange frequencies, thus integrating better into the rest of the system. If the woofer-mids are positioned low in the doors (**pic. D, 2**), the loss of midrange can be compensated by adjusting the crossover (see section "adjustment" page 7-8).

The woofer-mids from the K2 Power range can also be placed low in the "kick-panels" (**pic. D, 3**) of the vehicle. This is to further optimise the stereophonic imaging.

Tweeter surface mounting

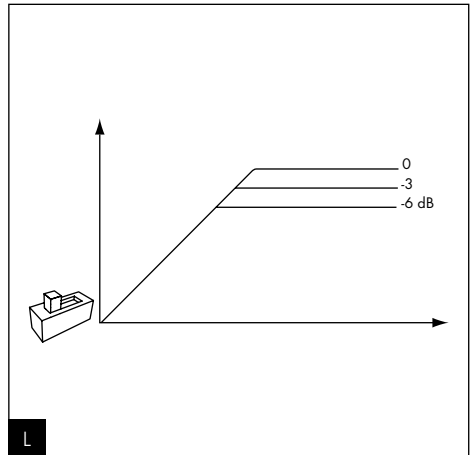
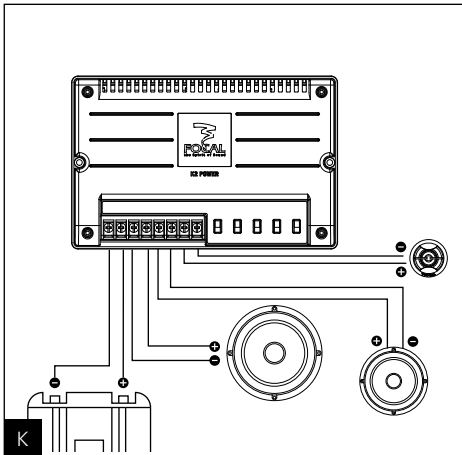
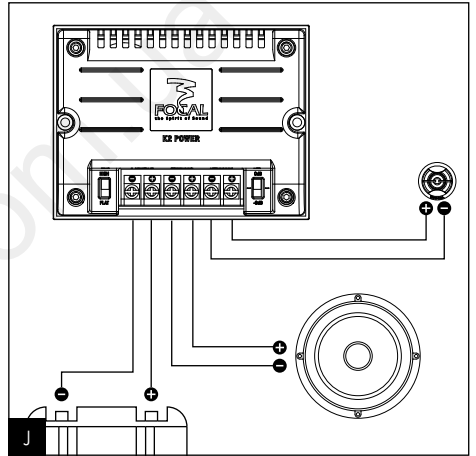
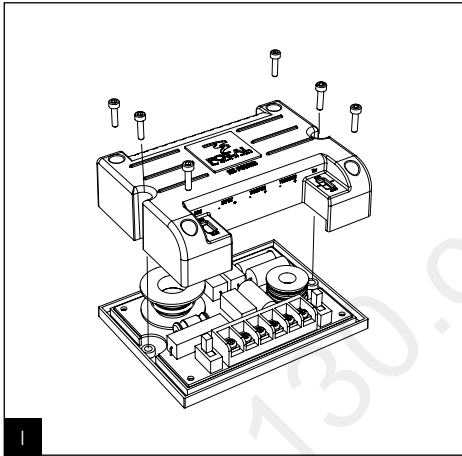
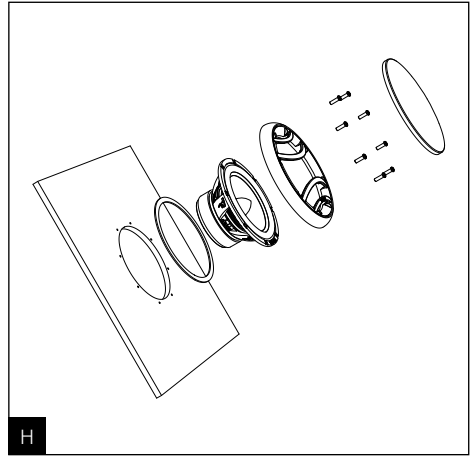
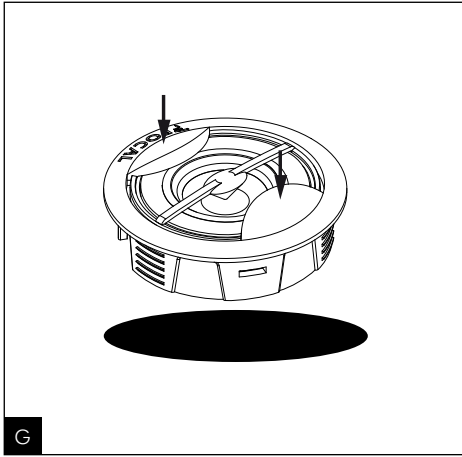
Two accessories are suggested for the surface mounting of the tweeter.

The sole support, with a 30° angle (**pic. E**) and the tweeter/woofer support that has to be adapted to the windshield upright through transformation (**pic. F**). You can divide the box in 2 by unsticking it or cutting it following the central axis, this box is also reversible, you just have to reverse the two flat parts.

Fitted mounting

Cut out a 50mm diameter opening. Make the tweeter wires go through. Adjust the tweeter by pressing on the side lobes (**pic. G**).

Attention: It is not necessary to twist lock the TN53K in place using a locking tool. To do so, carefully push and turn on the outer radius wave guides, turning the tweeter until it is locked in place.



INSTALLATION AND POSITIONING

Woofers and woofer-midrange recommendations

K2 Power woofers and woofer-midranges have been designed for a multitude of vehicles installations. It is worth understanding the basic requirements for installing such products. These woofers and woofer-midranges are capable of delivering enormous amounts of energy, during their positive/negative movement. Therefore it is imperative that they be fixed rigid to the desired location. The fixing location should also be strengthened where necessary. Panels should be strengthened to eliminate any unwanted vibrations. Such vibrations will drastically reduce the overall performance. These drive units should be fixed and sealed to the baffle or location panel. The use of the foam gasket is advisable for correct air sealing.

For added performance, and to better reduce such unwanted vibrations and other acoustical losses, we recommend the use of "plain chant". Easily positioned behind the woofer, on the metal-work of the vehicle, Plain Chant soaks-up vibrations as well as acoustic reflections.

Always ensure before that enough space is available for the magnet assembly, that it doesn't interfere with safety mechanisms or general working parts.

In the case of not using the grilles supplied, it is important to ensure the speakers will fit correctly. Ensuring there is enough depth behind the speaker has already been explained, but enough thought must also be given for the forward movement of the cone and surround assembly.

Woofers and woofer-midrange

If necessary, place the supplied screw fixing clamps. Fix the round gasket on the back of the woofer chassis. Remove the metallic grille from the rest of the grille. Make the grille holes coincide with the ones of the driver, fix with the supplied screws. Stack the metallic grille (*pic. H*).

Crossover

To access some crossover settings, you must remove the translucent cap with the 4 screws (*pic. I*).

2-way kit wiring (165 KRX2 and 165 KRXS)

Plug the amplifier output on the "IN" inputs of the crossover.

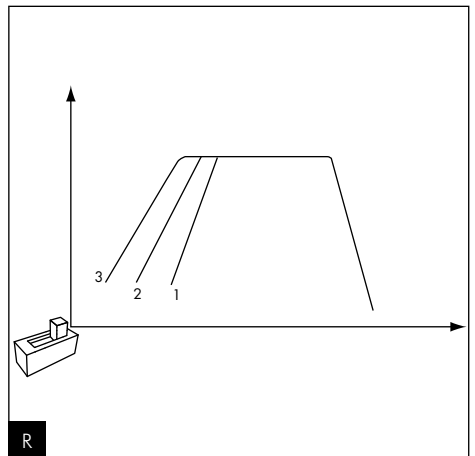
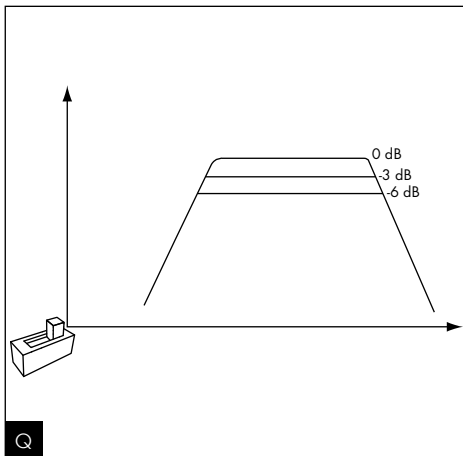
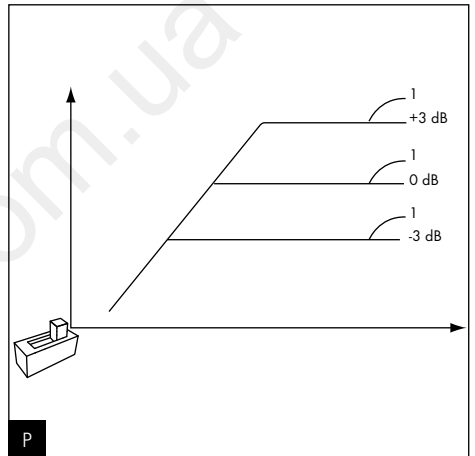
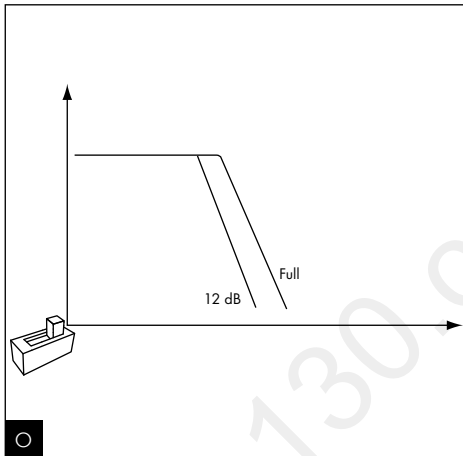
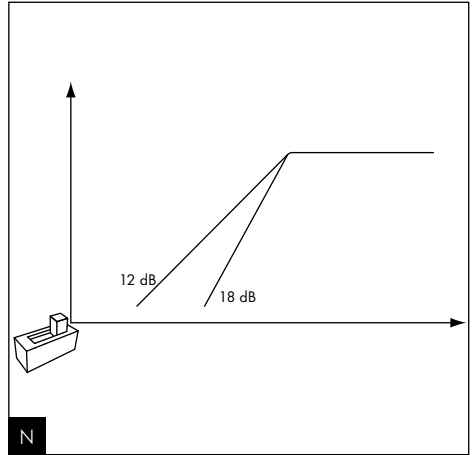
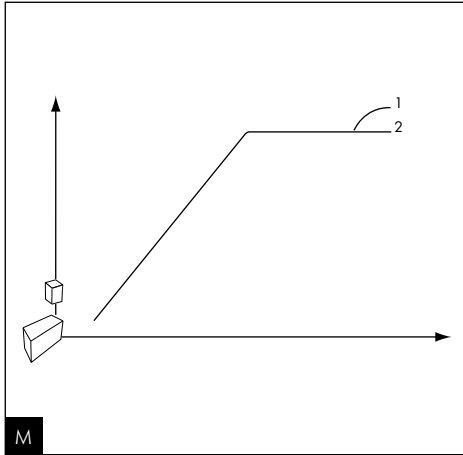
Connect the woofer on the "W" output and the tweeter on the "T" (*pic. J*).

3-way kit wiring (165 KRX3)

Plug the amplifier output on the "IN" inputs of the crossover.

Connect the woofer on the "Woofer" output, the midrange on the "Mid" output and the tweeter on the "Tweeter" output (*pic. K*).

Finally always ensure the tweeter and woofer are connected in phase correctly, thus polarities are respected "+" to "+", and "-" to "-". If not done correctly a "hole" or "peak", may result, due to a shift in phase. This will dramatically impair the overall performance.



FINE TUNNING / SET-UP 165 KRX2 AND 165 KRXS

Tweeter adjustment

The tweeter level adjustment is made on the right of the terminal through the 3 positions connector (**pic. L**). Two internal adjustments are possible; the first to increase the extreme treble, switch up (**pic. M.1**) or a linear response, switch down (**pic. M.2**) and the second to chose the tweeter filtering slope in 12 or 18dB/octave (**pic. N**).

Midrange/woofer adjustment

On the crossover left part, a connector enables you to choose to filter at 12dB/octave in low-pass or not to filter your woofer (**pic.O**).

Running-in period

K2 Power drive units use the very latest components. To ensure such complex mechanical elements work in harmony with each other, they must be allowed to function correctly in this environment. Such changes in temperature and humidity are regarded as very hostile. For K2 Power speakers to benefit, a running-in period must be used to ensure they are prepared for this. We recommend that once the system is ready for listening the drive units should be run-in with medium volume setting, with music that has the full bandwidth of frequencies (sub-bass through to treble). This running-in period should be used for a few weeks, to gain the full potential. After which the excellent performance of your K2 Power products can be fully appreciated.

Information of other K2 Power products

The K2 Power line is composed of a range of 4 subwoofers of 27cm (27 KX), 33cm (33 KX), 40cm (40 KX) and 46cm (46KX 4) which characteristics are perfectly complementary with those of the K2 Power kits. Consult your dealer.

Conditions of guarantee

All Focal loudspeakers are covered by guarantee drawn up by the official Focal distributor in your country. Your distributor can provide all details concerning the conditions of guarantee. Guarantee cover extends at least to that granted by the legal guarantee in force in the country where the original purchase invoice was issued.

130.com

FINE TUNNING / SET-UP 165 KRX3

Tweeter level adjustment

The tweeter level adjustment is made thanks to the "Level" connector of the "TWEETER" part. Three separate positions of 3dB each are available (**pic. P1**). If you wish to accentuate the extreme treble, move the "EQ" connector of the "Tweeter" part on position 1 (**pic. P2**).

Midrange/woofer adjustment

The midrange level adjustment is made thanks to the "Level" connector of the "MIDRANGE" part. Three separate positions of 3dB each are available (**pic. Q**).

In order to obtain the sound quality that you wish, you can choose the link frequency between the Midrange and the Woofer (**pic. R**). The switch inside the crossover permits to choose the filtering slope of the high-pass for the midrange. Originally, the switch is set on 6dB/octave. In this configuration, you can use the amplifier you want. The second position permits to filter the midrange in 12dB/octave. In this configuration, the kit impedance goes down around to 1 Ohm between 250 and 600Hz, but the performance is increased. There's a slight boost in the midbass to increase the voice realism and a better link between the woofer and the midrange for a linear response.

Midbox

The two boxes in that kit are made to be installed on the left side. To use the box on the right side, unscrew the ten screws, change the bottom plate with the upper plate, put the ten screws back.

Amplifier choice

The 165 KRX3 is a top-of-the-range kit that we didn't want to bridle with filtering. That's why in some configurations, the impedance goes down to around 1 Ohm. We recommend the use of a high-quality amplifier that can bear low impedances to fully benefit from your kit.

Running-in period

K2 Power drive units use the very latest components. To ensure such complex mechanical elements work in harmony with each other, they must be allowed to function correctly in this environment. Such changes in temperature and humidity are regarded as very hostile. For K2 Power speakers to benefit, a running-in period must be used to ensure they are prepared for this. We recommend that once the system is ready for listening the drive units should be run-in with medium volume setting, with music that has the full bandwidth of frequencies (sub-bass through to treble). This running-in period should be used for a few weeks, to gain the full potential. After which the excellent performance of your K2 Power products can be fully appreciated.

Information of other K2 Power products

The K2 Power line is composed of a range of 4 subwoofers of 27cm (27 KX), 33cm (33 KX), 40cm (40 KX) and 46cm (46KX 4) which characteristics are perfectly complementary with those of the K2 Power kits.

Consult your dealer.

Conditions of guarantee

All Focal loudspeakers are covered by guarantee drawn up by the official Focal distributor in your country.

Your distributor can provide all details concerning the conditions of guarantee. Guarantee cover extends at least to that granted by the legal guarantee in force in the country where the original purchase invoice was issued.



Your Focal-JMLab product was developed and manufactured with high-quality materials and components which can be recycled and/or re-used. This symbol indicates that electrical and electronic equipment must be disposed of separately from normal garbage at the end of its operational lifetime. Please dispose of this product by bringing it to your local collection point or recycling centre for such equipment. This will help to protect the environment in which we all live.

NOTICE KITS K2 POWER

Nous vous remercions d'avoir choisi les kits K2 Power et de partager avec nous notre philosophie "the Spirit of Sound".

Ces haut-parleurs de haute technicité intègrent les ultimes perfectionnements Focal en matière de conception de haut-parleurs pour l'obtention d'un son puissant et de très haute qualité.

Afin d'exploiter toutes leurs performances, nous vous conseillons de lire ce livret, puis de le conserver avec précaution pour pouvoir vous y référer ultérieurement. Tout problème dû au non-respect des règles d'utilisation peut entraîner l'invalidation de la garantie.

Avertissement

L'écoute prolongée à fort niveau au-delà de 110 dB peut détériorer durablement l'audition. Des écoutes même brèves à plus de 130 dB peuvent provoquer des lésions auditives irrémédiables.

Pour validation de la garantie Focal-JMLab, merci de nous retourner la garantie jointe dans les 10 jours.

Pour information

Nous effectuons différents types de mesures sur baffle plan de nos haut-parleurs et filtres afin de vous garantir les meilleurs réglages en fonction de la disposition de vos enceintes (fig. A).

Pour une utilisation sur présentoir, nous préconisons le réglage des filtres comme ci-après: Niveau du tweeter à 0dB, le woofer en mode Flat et pente de filtrage à 18dB/oct pour les kits permettant cette fonction (fig. B). Pour toute installation dans votre véhicule, merci de vous référer à la suite de la notice.

Caractéristiques

Membrane K2 Power

Nouveau sandwich CKMV composite fibre d'aramide / mousse structurale / verre, alliant très haute rigidité, légèreté extrême et amortissement maximal pour un son puissant et très détaillé, sans distorsions même à fort niveau.

Châssis Aluminium

Châssis rigide et amagnétique.

Bobine sur support Kapton

Très haute tenue en puissance sans déformation de la bobine.

Suspension en butyle

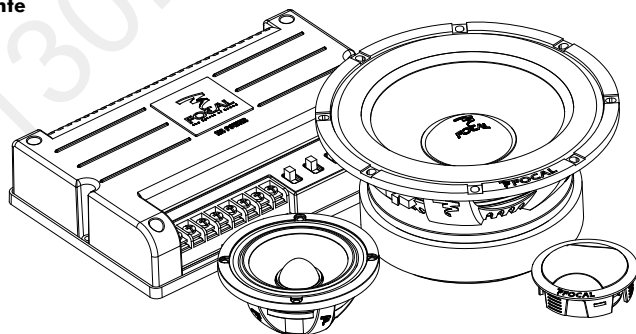
Excellente fiabilité dans le temps.

Tweeter à dôme inversé TN 53K

Dôme inversé en fibre d'aramide pour un son fin, doux, mais détaillé et dynamique, amorce de pavillon pour contrôler la directivité et optimiser la scène sonore (staging).

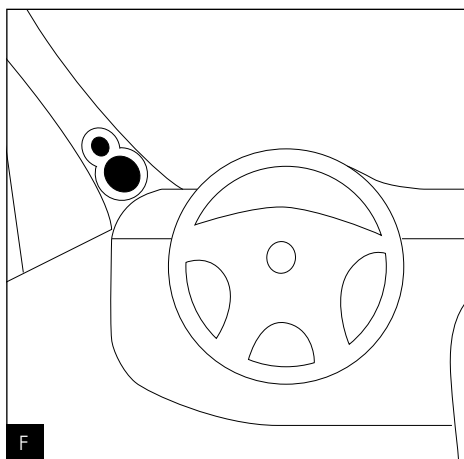
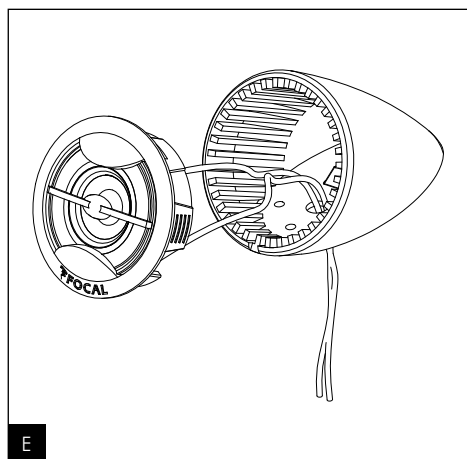
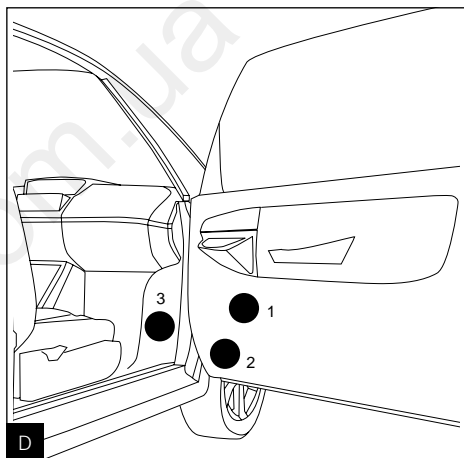
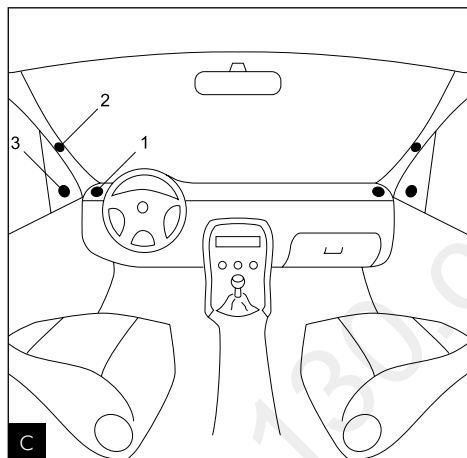
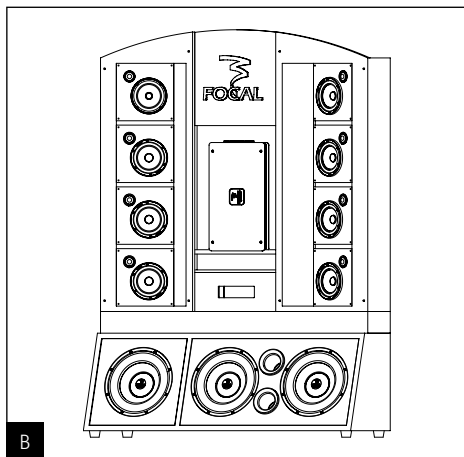
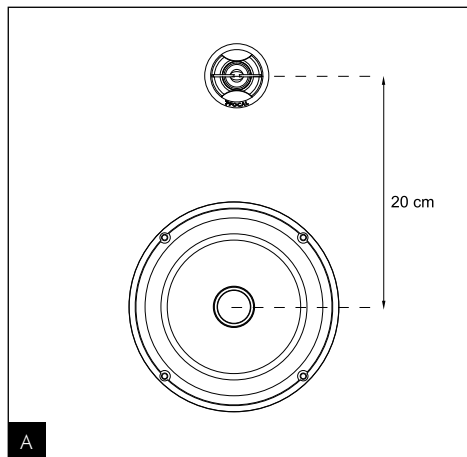
Filtre haute précision

Réglage du niveau du tweeter et du médium, composants de filtrage haute définition, connexions massives.



Focal-JMLab® - BP 374 - 108, rue de l'Avenir - 42353 La Talaudière cedex - France - www.focal-fr.com
Tél. (+33) 04 77 43 57 00 - Fax (+33) 04 77 37 65 87

Dans un but d'évolution, Focal-JMLab se réserve le droit de modifier les spécifications techniques de ses produits sans préavis. Images non contractuelles. ©Focal-JMLab



IMPLANTATION ET MONTAGE

Placement tweeter

Le tweeter TN 53K est conçu pour être monté en surface ou encastré en affleurement, grâce aux deux kits de fixation fournis. Le choix de l'implantation du tweeter, de la méthode de montage encastré ou en surface, mais aussi l'orientation du tweeter ont une influence considérable sur le rendu des hautes fréquences, la stabilité de l'image stéréophonique et le "staging".

La règle, incontournable en stéréophonie, est de chercher le meilleur emplacement possible de manière à ce que les tweeters droit et gauche soient placés approximativement à égale distance du conducteur (et vice-versa pour son passager). L'emplacement idéal du tweeter exigera de multiples écoutes comparatives.

Le tweeter devra impérativement être placé en avant du point d'écoute, de préférence aux extrémités du tableau de bord (**fig. C, 1**), ou mieux encore, sur les montants de pare-brise (**fig. C, 2**) moyennant transformation. Le carter des rétroviseurs (**fig. C, 3**) accepte généralement l'implantation d'un tweeter moyennant une petite transformation.

Placement woofer / médium

Les haut-parleurs K2 Power pourront être placés en haut des portières pour une perception optimale des fréquences médium (**fig. D, 1**). Si les woofers sont fixés au bas des portières (**fig. D, 2**), les pertes dans le médium pourront être avantageusement compensées par un réglage approprié du filtre (voir section "réglage fin" page 15-16).

Les woofers et les médiums K2 Power pourront également être placés en "kicks panels" (**fig. D, 3**) dans le but d'optimiser la perception stéréophonique (staging).

Montage tweeter

Montage en surface

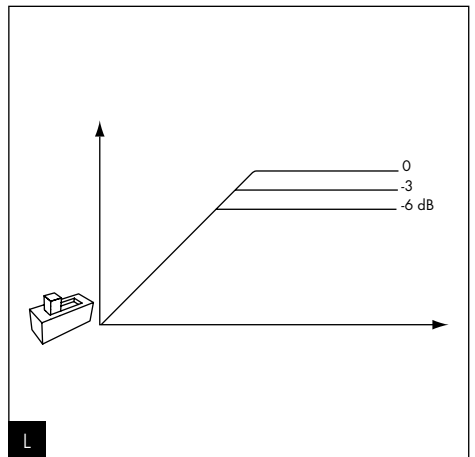
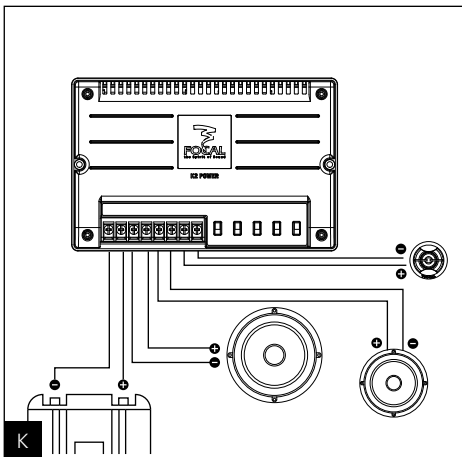
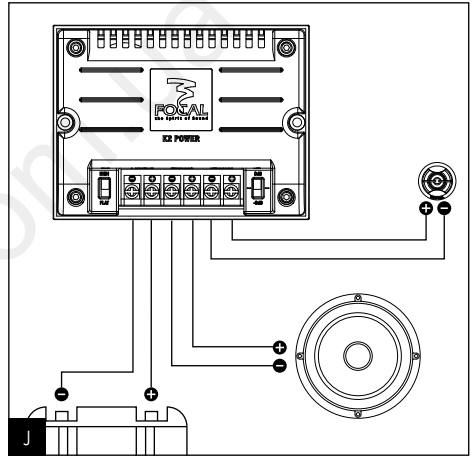
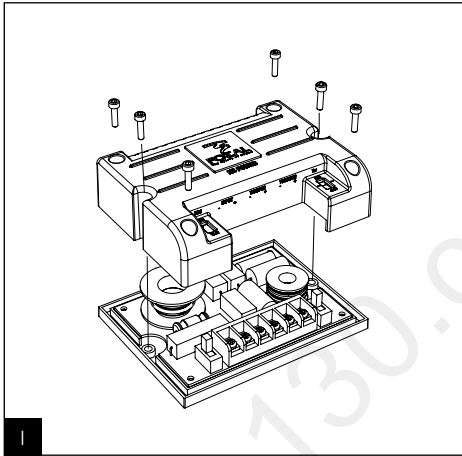
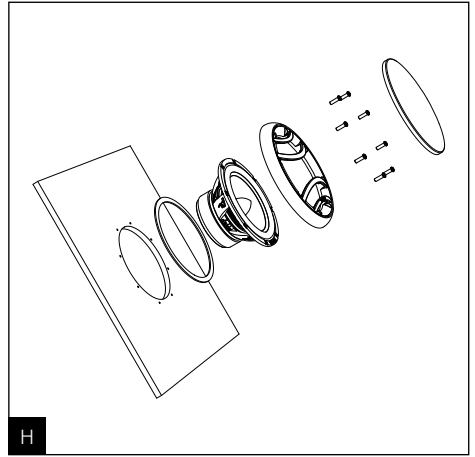
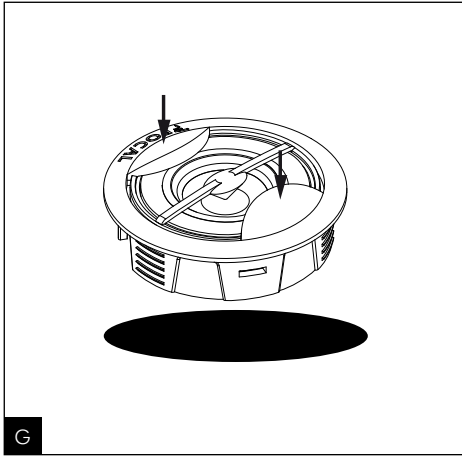
Deux accessoires vous sont proposés pour le montage en surface du tweeter.

Le support seul, avec un angle de 30° (**fig. E**) et le support tweeter/woofer qu'il faut adapter au montant de pare-brise moyennant transformation (**fig. F**). Vous pouvez séparer en 2 la boîte en la décollant ou découpant suivant l'axe central, ce boîtier est également réversible, il suffit d'inverser les deux parties planes.

Montage encastré

Découper une ouverture de 50 mm de diamètre. Faire passer les fils du tweeter au travers. Mettre en place le tweeter en faisant pression sur les lobes latéraux (**fig. G**).

Attention : il ne faut en aucun cas utiliser l'arceau central pour faire pivoter le tweeter. Prendre uniquement appui sur les lobes latéraux du pavillon.



IMPLANTATION ET MONTAGE

Installation woofer et médium

Recommandations importantes :

Les hauts-parleurs de la ligne K2 Power sont conçus, grâce à des réglages adaptés et optimisés, pour fonctionner au mieux de leurs possibilités dans la plupart des emplacements habituels.

Il convient cependant de ne pas perdre à l'esprit que ces haut-parleurs délivrent une énergie considérable qui ne doit pas être diluée dans la structure du véhicule, la faute à un support de haut-parleur insuffisamment rigide.

Nous vous suggérons de fixer les haut-parleurs K2 Power sur un support très rigide, éventuellement renforcé par du bois ou de la résine.

Les haut-parleurs devront y être ensuite solidement fixés pour éviter les vibrations parasites. L'étanchéité du support doit être parfaite pour éviter les fuites entre l'avant et l'arrière du woofer, sous peine d'occasionner un dysfonctionnement important.

Pour des écoutes optimales, nous vous conseillons de coller un matériau absorbant type plain chant directement sur la tôle intérieure de la portière, juste derrière le haut-parleur, pour amortir les vibrations.

Vérifier également que l'aimant du woofer ne gênera pas certains organes mécaniques du véhicule.

Si vous n'utilisez pas les grilles fournies avec les kits K2 Power mais celles d'origine par exemple, veillez à ce que l'espace entre le haut-parleur et la grille soit suffisant pour que la membrane ne vienne pas percuter la grille à fort volume.

Montage woofer et médium

Placer si nécessaire les pattes de fixations de vis fournies. Fixer le joint circulaire sur la face arrière du châssis woofer. Oter la grille métallique du reste de la grille. Faites coïncider les trous de la grille avec ceux du haut-parleur, fixer à l'aide des vis fournies. Embaïter la grille métallique (fig. H).

Filtre

Pour accéder à certains réglages du filtre, vous devez retirer le capot translucide à l'aide des 4 vis (fig. I).

Câblage kits 2 voies (165 KRX2 et 165 KRXS)

Brancher la sortie de l'amplificateur sur les entrées "IN" du filtre.

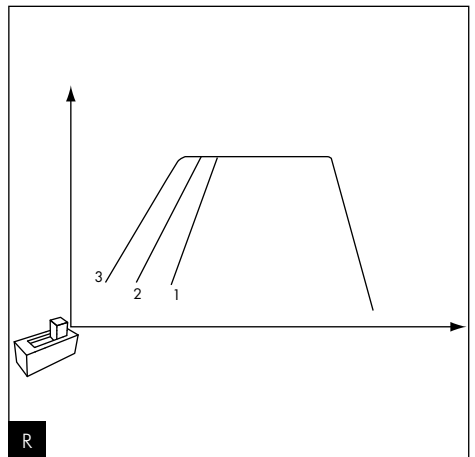
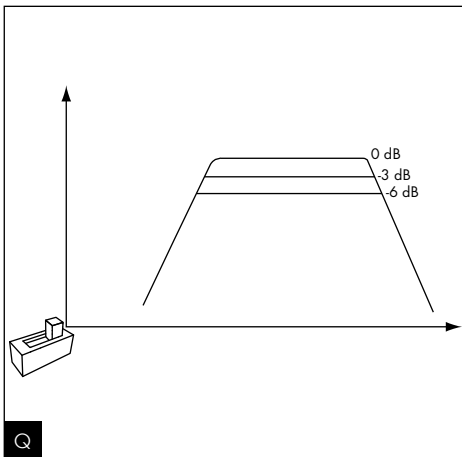
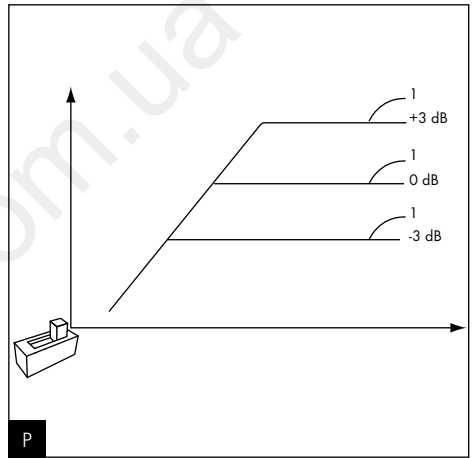
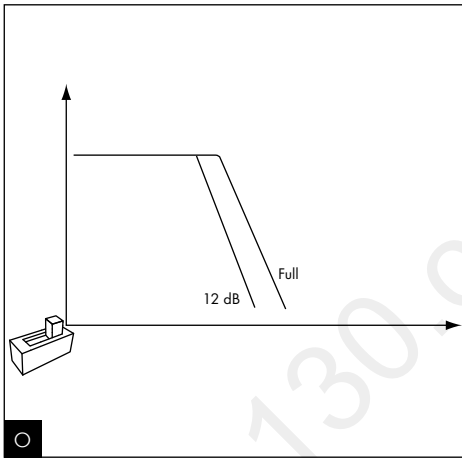
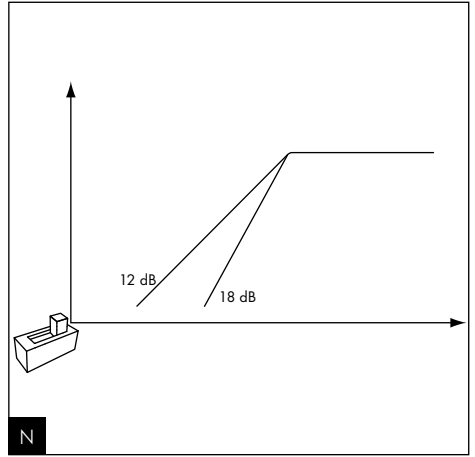
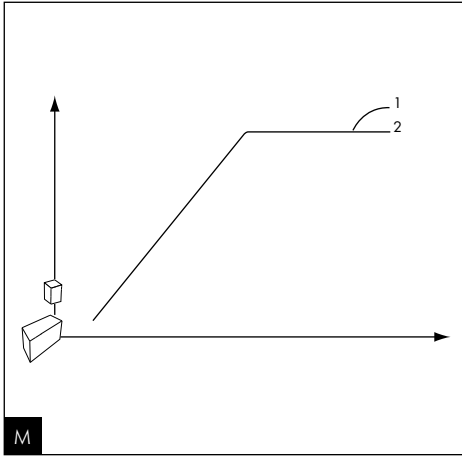
Connecter le woofer sur l'entrée "W" et le tweeter sur "T" (fig. J).

Câblage kit 3 voies (165 KRX3)

Brancher la sortie de l'amplificateur sur les entrées "IN" du filtre.

Connecter le woofer sur la sortie "Woofers", le médium sur la sortie "Mid" et le tweeter sur la sortie "Tweeter" (fig. K).

Attention : il est primordial de respecter les polarités "+" et "-" pour l'obtention d'un recoupement optimal entre le woofer et le tweeter, sans sensation de "trou" ou de "bosse" à l'écoute.



RÉGLAGES FINS 165 KRX2 ET 165 KRXS

Réglage du tweeter

Le réglage du niveau du tweeter s'effectue à droite du bornier par l'intermédiaire du connecteur 3 positions (**fig. L**). Deux réglages internes vous sont proposés; le premier pour accentuer l'extrême aigu, interrupteur levé (**fig. M.1**) ou une réponse linéaire, interrupteur baissé (**fig. M.2**) et le second pour choisir la pente de coupure du tweeter en 12 ou 18 dB/octave (**fig. N**).

Réglage du médium/woofer

Sur la partie gauche du filtre, un connecteur vous permet de choisir de filtrer à 12 dB/octave en passe-bas ou de ne pas filtrer votre woofer (**fig.O**).

Période de rodage

Les haut-parleurs utilisés sur K2 Power sont des éléments mécaniques complexes qui exigent une période d'adaptation pour fonctionner au mieux de leurs possibilités et s'adapter aux conditions de température et d'humidité de votre environnement. Cette période de rodage varie selon les conditions rencontrées et peut se prolonger sur quelques semaines. Pour accélérer cette opération, nous vous conseillons de faire fonctionner vos haut-parleurs une vingtaine d'heures à niveau moyen, sur des programmes musicaux riches en grave. Une fois les caractéristiques des haut-parleurs totalement stabilisées, vous pourrez profiter intégralement des performances de vos kits K2 Power.

Configuration

La ligne K2 Power compte une gamme de 4 subwoofers de 27 cm (27 KX), 33 cm (33 KX), 40 cm (40 KX) et 46 cm (46 KX 4) dont les caractéristiques sont idéalement complémentaires avec celles des kits K2 Power.

Consulter votre revendeur.

Conditions de garantie

En cas de problème, adressez-vous à votre revendeur Focal.

La garantie pour la France sur tout matériel Focal est de 2 ans. En cas de matériel défectueux, celui-ci doit être expédié à vos frais, dans son emballage d'origine auprès du revendeur, lequel analysera le matériel et déterminera la nature de la panne. Si celui-ci est sous garantie, le matériel vous sera rendu ou remplacé en "franco de port". Dans le cas contraire, un devis de réparation vous sera proposé. La garantie ne couvre pas les dommages résultant d'une mauvaise utilisation ou d'un branchement incorrect (bobines mobiles brûlées par exemple...). En dehors de la France, le matériel Focal est couvert par une garantie dont les conditions sont fixées localement par le distributeur officiel Focal de chaque pays, en accord avec les lois en vigueur sur le territoire concerné.

RÉGLAGES FINS 165 KRX3

Réglage du tweeter

Le réglage du niveau du tweeter s'effectue grâce au connecteur "Level" de la partie "TWEETER". Trois positions séparées de 3dB chacune vous sont proposées (fig. P1). Si vous désirez accentuer l'extrême aigu, déplacer le connecteur "EQ" de la partie "Tweeter" sur la position 1 (fig. P2).

Réglage du médium/woofer

Le réglage du niveau du médium s'effectue grâce au connecteur "Level" de la partie "MEDIUM". Trois positions séparées de 3dB chacune vous sont proposées (fig. Q).

Afin d'obtenir la qualité sonore que vous désirez, vous pouvez choisir la fréquence de raccord entre le Medium et le Woofer (fig. R). Le sélecteur à l'intérieur du filtre vous permet de choisir la pente de filtrage du pass-haut pour le medium. D'origine, la sélectionneur est mis en position 6 dB/octave. Dans cette configuration, vous pouvez utiliser l'amplificateur de votre choix. La seconde position permet de filtrer le medium en 12 dB/octave. Dans cette configuration, l'impédance du kit descend au alentour de 1 ohm entre 250 et 600Hz, mais les performances sont accrues. Léger boost du bas médium pour augmenter le réalisme de la voix. Meilleur raccord entre le woofer et le médium pour une réponse linéaire.

Midbox

Les deux baffleiers composant ce kit sont livrés pour être installés coté gauche. Pour composer le baffleier allant côté droit, dévissez les dix vis, interchangez la plaque inférieure et la plaque supérieure, remettez en place les 10 vis.

Choix de l'amplificateur

Le kit 165 KRX3 est un kit très haut de gamme que nous n'avons pas voulu brider par le filtrage. C'est pourquoi dans certaines configurations, l'impédance descend au alentour de 1ohm. Nous recommandons donc l'utilisation d'amplificateur de haute qualité et supportant les basses impédances pour exploiter au mieux votre kit.

Période de rodage

Les haut-parleurs utilisés sur K2 Power sont des éléments mécaniques complexes qui exigent une période d'adaptation pour fonctionner au mieux de leurs possibilités et s'adapter aux conditions de température et d'humidité de votre environnement. Cette période de rodage varie selon les conditions rencontrées et peut se prolonger sur quelques semaines. Pour accélérer cette opération, nous vous conseillons de faire fonctionner vos haut-parleurs une vingtaine d'heures à niveau moyen, sur des programmes musicaux riches en grave. Une fois les caractéristiques des haut-parleurs totalement stabilisées, vous pourrez profiter intégralement des performances de vos kits K2 Power.

Configuration

La ligne K2 Power compte une gamme de 4 subwoofers de 27 cm (27 KX), 33 cm (33 KX), 40 cm (40 KX) et 46 cm (46 KX 4) dont les caractéristiques sont idéalement complémentaires avec celles des kits K2 Power.

Consulter votre revendeur.

Conditions de garantie

En cas de problème, adressez-vous à votre revendeur Focal.

La garantie pour la France sur tout matériel Focal est de 2 ans. En cas de matériel défectueux, celui-ci doit être expédié à vos frais, dans son emballage d'origine auprès du revendeur, lequel analysera le matériel et déterminera la nature de la panne. Si celui-ci est sous garantie, le matériel vous sera rendu ou remplacé en "franco de port". Dans le cas contraire, un devis de réparation vous sera proposé. La garantie ne couvre pas les dommages résultant d'une mauvaise utilisation ou d'un branchement incorrect (bobines mobiles brûlées par exemple...). En dehors de la France, le matériel Focal est couvert par une garantie dont les conditions sont fixées localement par le distributeur officiel Focal de chaque pays, en accord avec les lois en vigueur sur le territoire concerné.



Votre produit Focal-JMLab a été conçu et fabriqué avec des matériaux et composants de haute qualité, susceptibles d'être recyclés et réutilisés. Ce symbole signifie que les appareils électriques et électroniques, lorsqu'ils sont arrivés en fin de vie, doivent être éliminés séparément des ordures ménagères. Veuillez rapporter cet appareil à la déchetterie communale ou à un centre de recyclage. Vous contribuez ainsi à la préservation de l'environnement.



Su producto Focal-JMlab ha sido concebido y fabricado con materiales y componentes de alta calidad, que pueden ser reciclados y reutilizados. Este símbolo signifi ca que los aparatos eléctricos y electrónicos, al final de su vida útil, deberán ser separados de los residuos domésticos y reciclados. Rogamos llevar este aparato al punto de recogida de su municipio o a un centro de reciclaje. Por favor, contribuya Vd. también en la conservación del ambiente en que vivimos.



Deres Focal-JMlab-produkt er designet og fremstillet med materialer og komponenter af høj kvalitet, som kan recycles og genbruges. Dette symbol betyder, at elektriske og elektroniske apparater skal bortskaffes adskilt fra det almindelige husholdningsaffald, når de ikke længere bruges. Aflever dette apparat på Deres lokale kommunale genbrugsstation eller på genbrugscentret. Hjælp med at passe på det miljø, vi lever i.



Ihr Focal-JMlab-Produkt wurde mit hochwertigen Materialien und Komponenten entworfen und hergestellt, die recycelbar sind und wieder verwendet werden können. Dieses Symbol bedeutet, dass elektrische und elektronische Geräte am Ende ihrer Nutzungsdauer vom Hausmüll getrennt entsorgt werden müssen. Bitte entsorgen Sie dieses Gerät bei Ihrer örtlichen kommunalen Sammelstelle oder im Recycling Centre. Bitte helfen Sie mit, die Umwelt in der wir leben, zu erhalten.



Tämä Focal-JMlab-tuote on suunniteltu ja valmistettu korkealaatuisista materiaaleista ja komponenteista, joita voidaan kierrättää ja käyttää uudelleen. Tämä symboli tarkoittaa, että sähkölaitteet ja elektroniset laitteet tulee hävittää erillään kotitalousjätteestä, kun niitä ei enää käytetä. Jätä tämä laite paikkakuntasi kunnalliseen keräyspisteeseen tai kierrätyskeskukseen. Auta meitä säästämään luontoa, jossa elämme.



Il vostro prodotto Focal-JMlab è stato progettato e realizzato con materiali e componenti pregiati che possono essere riciclati e riutilizzati. Questo simbolo signifi ca che gli apparecchi elettrici ed elettronici devono essere smaltiti separatamente dai rifi uti domestici alla fine del loro utilizzo. Vi preghiamo di smaltire questo apparecchio negli appositi punti di raccolta locali o nei centri preposti al riciclaggio. Contribuite anche voi a tutelare l'ambiente nel quale viviamo.



Az Ön által vásárolt Focal-JMlab termék kiváló minőségű, újrahasznosítható és/vagy újra felhasználható anyagok és komponensek felhasználásával készült. Ez a szimbólum azt jelzi, hogy az elektromos és elektronikus készüléket a normális hulladéktól elkülönítetten kell kidobni, amikor élettartama végére ért. A termék kidobásakor kérjük, vigye azt a helyi gyűjtőponthoz, vagy az ilyen készülékek számára fenntartott újrahasznosító központba! Ezzel hozzájárulhat környezetünk megóvásához, amelyben mindannyian élünk.



Uw Focal-JMlab-Product is ontworpen voor en gebouwd uit hoogwaardige materialen en componenten die gerecycled kunnen worden en dus geschikt zijn voor hergebruik. Dit symbool betekent, dat elektrische en elektronische apparatuur aan het einde van zijn levensduur gescheiden van het huisvuil apart moet worden ingeleverd. Breng dit apparaat naar een van de plaatselijke verzamelpunten of naar een kringloopwinkel. Help s.v.p. mee, het milieu waarin we leve te beschermen.



Váš výrobok Focal-JMlab bol navrhnutý a vyrobený z vysoko kvalitných materiálov a komponentov, ktoré je možné recyklovať a znovu použiť. Tento symbol znamená, že sa elektrické a elektronické prístroje po uplynutí svojej životnosti musia likvidovať oddelene od domáceho odpadu. Odovzdajte preto prosím tento prístroj k likvidácii v miestne príslušnom komunálnom zbernom dvore alebo k recyklácii v príslušnom recyklačnom stredisku. Pomôžte nám prosím pri ochrane životného prostredia.



O seu produto Focal-Jmlab foi concebido e fabricado, utilizando materiais e componentes de alta qualidade que, podem ser reciclados e reutilizados. Este símbolo significa que, no fim da sua vida útil, equipamentos eléctricos e electrónicos devem ser eliminados separadamente dos resíduos sólidos domésticos. Por favor, entregue este equipamento ao respectivo ecoponto local ou comunal ou ao centro de reciclagem competente. Por favor, ajude-nos a preservar o meio ambiente em que vivemos.



Produkt Focal-JMlab został zaprojektowany i wykonany z materiałów i elementów wysokiej jakości, nadających się do recyklingu i ponownego wykorzystania. Symbol ten oznacza, że sprzęt elektryczny i elektroniczny należy utylizować po zakończeniu użytkowania odrębnie od odpadów domowych. Sprzęt należy utylizować w komunalnym punkcie zbiórki lub w punkcie recyklingu. Pomóżcie i Wy chronić środowisko, w którym żyjemy.

PL



Váš Focal-JMlab proizvod je zasnovan iz izdelan iz visoko kakovostnih materialov in komponent, ki so obnovljive in jih je mogoče ponovno uporabiti.

Ta simbol pomeni, da je potrebno električne in elektronske naprave po izteku njihove uporabne dobe, odvesti ločeno od gospodinjstskih odpadkov.

SLO

Naprašamo vas, da napravo oddate na vašem lokalnem komunalnem zbirnem mestu ali v reciklažnem centru.

Naprašamo vas za sodelovanje pri pomoči ohranjanja našega življenjskega prostora.



Jūsų Focal-JMlab gaminys buvo sukurtas ir pagamintas panaudojant aukštos kokybės medžiagas ir komponentus, kuriuos galima perdirbti ir/arba panaudoti pakartotinai.

Šis simbolis nurodo, kad elektrinius ir elektroninius įtaisus, pasibaigus jų eksploatavimo laikotarpiui, reikia utilizuoti atskirai nuo įprastinių buitinių atliekų.

LT

Jeigu šio gaminio tarnavimo laikas baigėsi, tai prašome perduoti jį specialių atliekų surinkimo arba perdirbimo įmonei.

Tai padės apsaugoti aplinką, kurioje mes visi gyvename.



To Focal-JMlab προϊόν σας αναπτύχθηκε και κατασκευάστηκε με υψηλής ποιότητας υλικά και συστατικά τα οποία μπορούν να ανακυκλωθούν ή να ξαναχρησιμοποιηθούν.

Αυτό το σύμβολο δηλώνει ότι οι ηλεκτρικές και ηλεκτρονικές συσκευές πρέπει να πετιούνται ξεχωριστά από τα κανονικά σας σκουπίδια στο τέλος του χρόνου λειτουργίας τους.

GR

Παρακαλείστε να πετάτε αυτό το προϊόν με το να το φέρετε το οικείο σας σημείο ή κέντρο ανακύκλωσης για κάθε συσκευή.

Αυτό θα σας βοηθήσει να προστατέψετε το περιβάλλον στο οποίο όλοι ζούμε.



Focal-JMlabs produkter har konstruerats och tillverkats av högkvalitativa material och komponenter som kan återvinnas och återanvändas. Symbolen innebär att utjånade elektriska och elektroniska apparater måste tas om hand separerat från hushållsavfallet. Lämna apparaten på kommunens insamlingsställen eller återvinningscentraler. Hjälp oss att skydda vår miljö.

SE



Váš výrobek Focal-JMlab byl navržen a vyroben z vysoce kvalitních materiálů a komponent, které lze recyklovat a znovu použít.

Tento symbol znamená, že se elektrické a elektronické přístroje po uplynutí své životnosti musejí likvidovat odděleně od domácího odpadu.

CZ

Odevzdejte proto prosím tento přístroj k likvidaci v místně příslušném komunálním sběrném dvoře nebo k recyklaci v příslušném recyklačním středisku.

Pomozte nám prosím při ochraně životního prostředí.



Šis Focal-JMlab produkts ir izstrādāts un ražots, izmantojot augstas kvalitātes materiālus un komponentus, kurus var otrreizēji pārstrādāt un/vai lietot atkārtoti.

Šis simbols norāda, ka elektriskās un elektroniskās ierīces pēc to kalpošanas laika beigām jālikvidē atsevišķi no parastajiem atkritumiem.

LV

Lūdzu, likvidējiet šo produktu, tikai nododot vietējā savākšanas punktā vai pārstrādes centrā, kas paredzēti šādai tehnikai.

Šādi jūs palīdzēsiet aizsargāt vidi, kurā mēs visi dzīvojam.



Teie Focal-JMlab toode on vālja tōotatud ning toodetud kõrgkvaliteetest materjalist ning osades, mida on võimalik ümber töödelda ning/või korduvkasutada. Antud märgis näitab, et elektri- ja elektroonikaseadmeid peab nende kasutusaja lõppemisel kõrvaldama lahus muudest jäätmetest. Palun viige toode kõrvaldamiseks teie kohalikku jäätmete kogumiskohta või antud seadme ümbertöötamiskeskusse. See aitab kaitsta meid ümbritsevat keskkonda.

SE

GARANTIE FRANÇAISE

Pour validation de la garantie Focal, merci de nous renvoyer cette page dans les 10 jours, à l'adresse suivante :

Focal-JMLab - BP 374 - 108, rue de l'Avenir - 42353 La Talaudière cedex - FRANCE

Vous :

Votre nom : _____ Âge : _____ Profession : _____

Votre adresse complète : _____

Votre adresse e-mail : _____

Vos centres d'intérêts :

Chez vous, possédez-vous des enceintes haute-fidélité ? - Oui - Non

Si oui, précisez la marque : _____

Lisez-vous la presse écrite ? - Oui - Non

Si oui, quel(s) titre(s) : _____

Votre équipement audio/vidéo (marques et modèles) avant l'acquisition du produit Focal :

Lecteur CD /tuner : _____ Lecteur multimédia : _____

Système de navigation : _____ Amplificateur : _____

Kit haut-parleur : _____ Caisson de grave / subwoofer : _____

Autres éléments : _____

Votre choix pour l'achat de ce modèle Focal s'est fait en fonction de :

- | | |
|---|--|
| <input type="checkbox"/> - Conseil du revendeur | <input type="checkbox"/> - Conseil d'un ami, relation |
| <input type="checkbox"/> - Visite d'un salon, d'une exposition | <input type="checkbox"/> - Rapport qualité / prix |
| <input type="checkbox"/> - Qualité sonore, écoute en auditorium | <input type="checkbox"/> - Possède déjà des produits Focal |
| <input type="checkbox"/> - Fiabilité / qualité de fabrication | <input type="checkbox"/> - Catalogues |
| <input type="checkbox"/> - Esthétique / finition | <input type="checkbox"/> - Matériel français |
| <input type="checkbox"/> - Article de presse écrite (si oui, précisez le titre du magazine) : _____ | <input type="checkbox"/> - Autre : _____ |

Votre Produit Focal :

Modèle : _____ N° de série : _____

Nom du revendeur : _____ Ville : _____

Date de l'achat : _____ Prix de l'achat : _____

Avez-vous confié l'installation du produit à votre revendeur ? - Oui - Non

Si non, pourquoi : _____

Nous garantissons la confidentialité de ces informations.

INTERNATIONAL GUARANTEE

For the validation of the Focal guarantee, please send back this sheet within 10 days to the following address :

Focal-JMLab - BP 374 - 108, rue de l'Avenir - 42353 La Talaudière cedex - FRANCE

About yourself:

Your name: _____ Your age: _____ Your job: _____

Your full address: _____

Your e-mail address: _____

Your hobbies:

At home, do you own Hi-Fi loudspeakers? - Yes - No

If yes, specify the brand: _____

Do you read the press? - Yes - No

If yes, which magazine(s)? _____

Your audio/video equipment (brands and models) before the acquisition of Focal products:

CD player/tuner: _____ Multimedia player: _____

Navigation system: _____ Amplifier: _____

Speakers: _____ Enclosure/subwoofer: _____

Other elements: _____

Your choice for the purchase of this Focal model was made according to:

- | | |
|---|--|
| <input type="checkbox"/> - Dealer's advice | <input type="checkbox"/> - Friend's or family's advice |
| <input type="checkbox"/> - Visiting an exhibition/a show | <input type="checkbox"/> - Quality-price ratio |
| <input type="checkbox"/> - Sound quality/listening room | <input type="checkbox"/> - Already own Focal products |
| <input type="checkbox"/> - Reliability/manufacturing quality | <input type="checkbox"/> - Catalogues |
| <input type="checkbox"/> - Design/Finish | <input type="checkbox"/> - French product |
| <input type="checkbox"/> - Article in the press (if yes, specify the title of the magazine) _____ | <input type="checkbox"/> - Other : _____ |

Your Focal product:

Model: _____ Serial number: _____

Dealer's name: _____ City: _____

Date of your purchase: _____ Price of your purchase: _____

Did you leave the product installation to your dealer's care? - Yes - No

If not, why? _____

COD01266



3544050003422
SCBD-090319/2