



PHONES

0 (800) 800 130  
(050) 462 0 130  
(063) 462 0 130  
(067) 462 0 130

130  
COM.UA

Internet store of  
autogoods



SKYPE

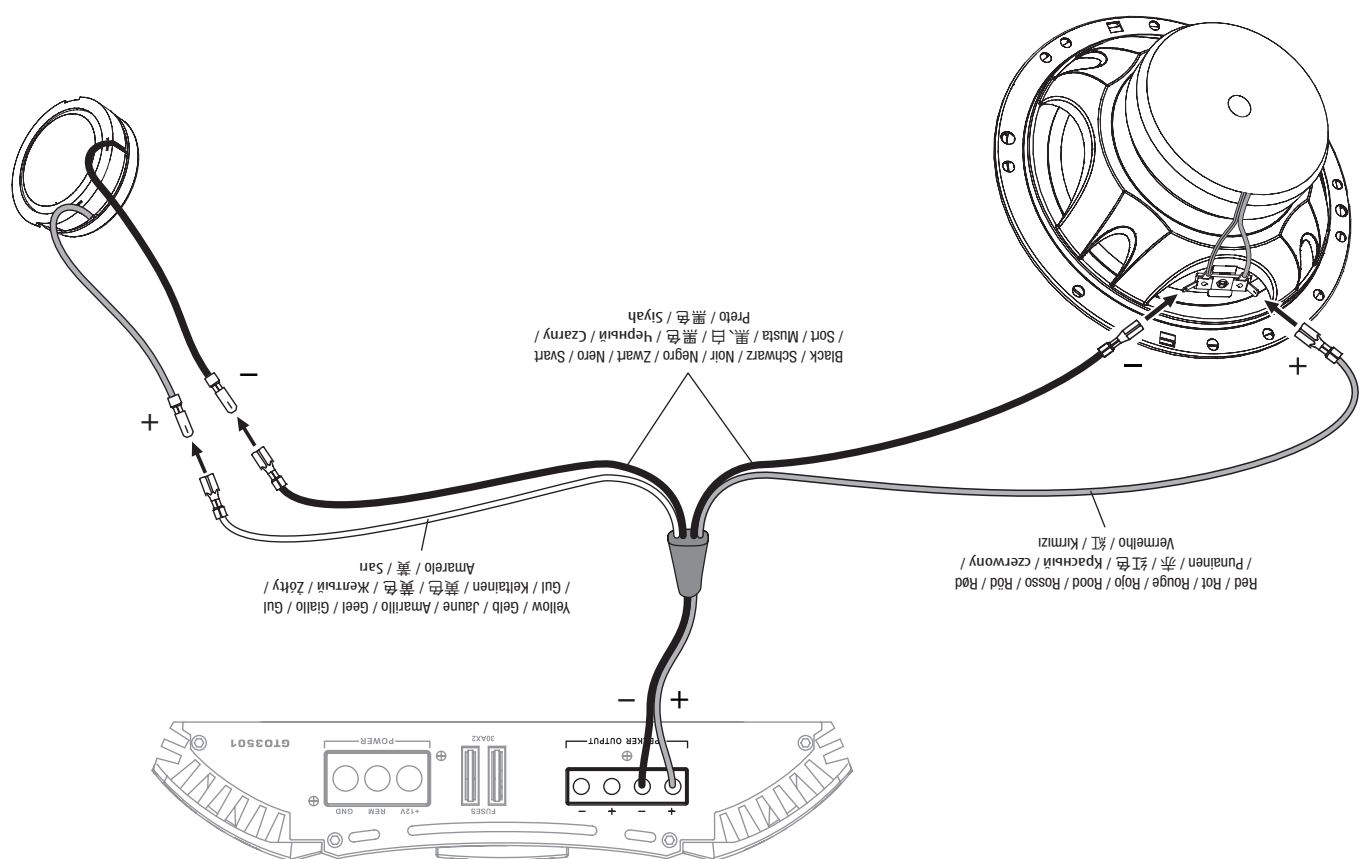
km-130

CAR RECEIVERS — Receivers • Media receivers and stations • Native receivers • CD/DVD changers • FM-modulators/USB adapters • Flash memory • Facia plates and adapters • Antennas • Accessories |  
CAR AUDIO — Car audio speakers • Amplifiers • Subwoofers • Processors • Crossovers • Headphones • Accessories | TRIP COMPUTERS — Universal computers • Model computers • Accessories |  
GPS NAVIGATORS — Portable GPS • Built-in GPS • GPS modules • GPS trackers • Antennas for GPS navigators • Accessories | VIDEO — DVR • TV sets and monitors • Car TV tuners • Cameras • Videomodules  
• Transcoders • Car TV antennas • Accessories | SECURITY SYSTEMS — Car alarms • Bike alarms • Mechanical blockers • Immobilizers • Sensors • Accessories | OPTIC AND LIGHT — Xenon • Bixenon • Lamps  
• LED • Stroboscopes • Optic and Headlights • Washers • Light, rain sensors • Accessories | PARKTRONICS AND MIRRORS — Rear parktronic • Front parktronic • Combined parktronic • Rear-view mirrors  
• Accessories | HEATING AND COOLING — Seat heaters • Mirrors heaters • Screen-wipers heaters • Engine heaters • Auto-refrigerators • Air conditioning units • Accessories | TUNING — Vibro-isolation  
• Noise-isolation • Tint films • Accessories | ACCESSORIES — Radar-detectors • Handsfree, Bluetooth • Windowlifters • Compressors • Beeps, loudspeakers • Measuring instruments • Cleaners • Car seats  
• Miscellaneous | MOUNTING — Installation kits • Upholstery • Grilles • Tubes • Cable and wire • Tools • Miscellaneous | POWER — Batteries • Converters • Start-charging equipment • Capacitors  
• Accessories | MARINE AUDIO AND ELECTRONICS — Marine receivers • Marine audio speakers • Marine subwoofers • Marine amplifiers • Accessories | CAR CARE PRODUCTS — Additives • Washer fluid •  
Care accessories • Car polish • Flavors • Adhesives and sealants | LIQUID AND OIL — Motor oil • Transmission oil • Brake fluid • Antifreeze • Technical lubricant

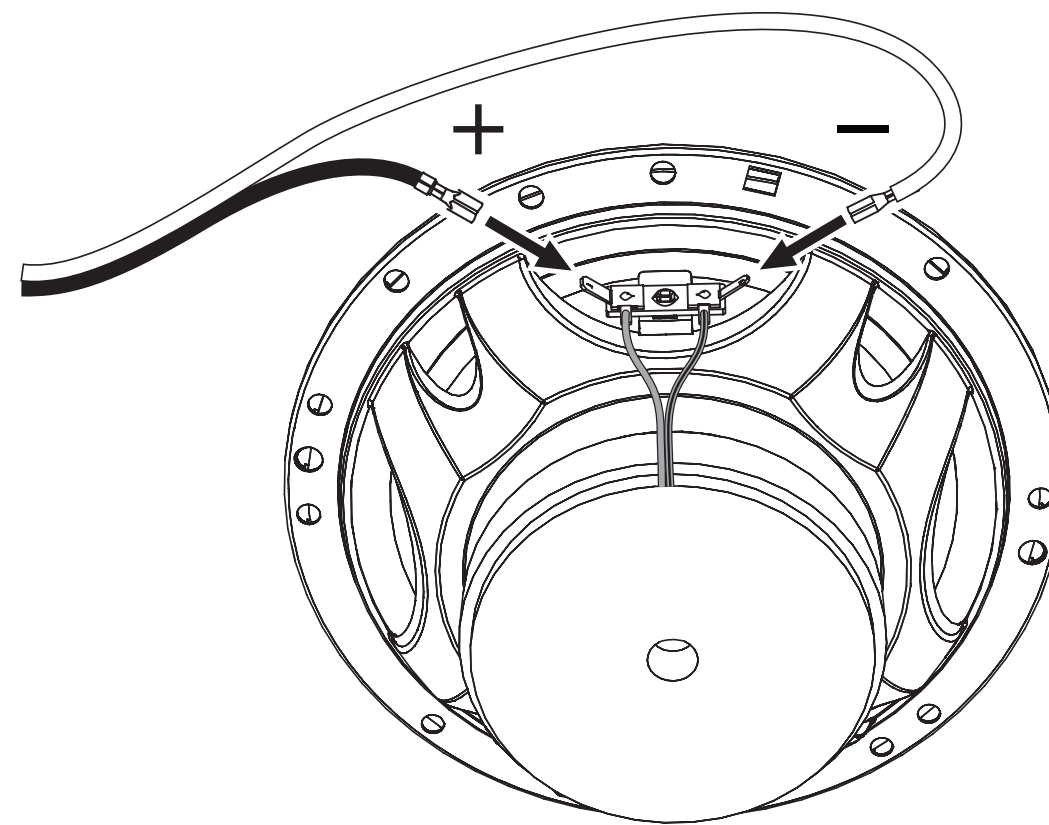


In store "130" you can find and buy almost all necessary goods for your auto in Kyiv and other cities, delivery by ground and postal services. Our experienced consultants will provide you with exhaustive information and help you to choose the very particular thing. We are waiting for you at the address

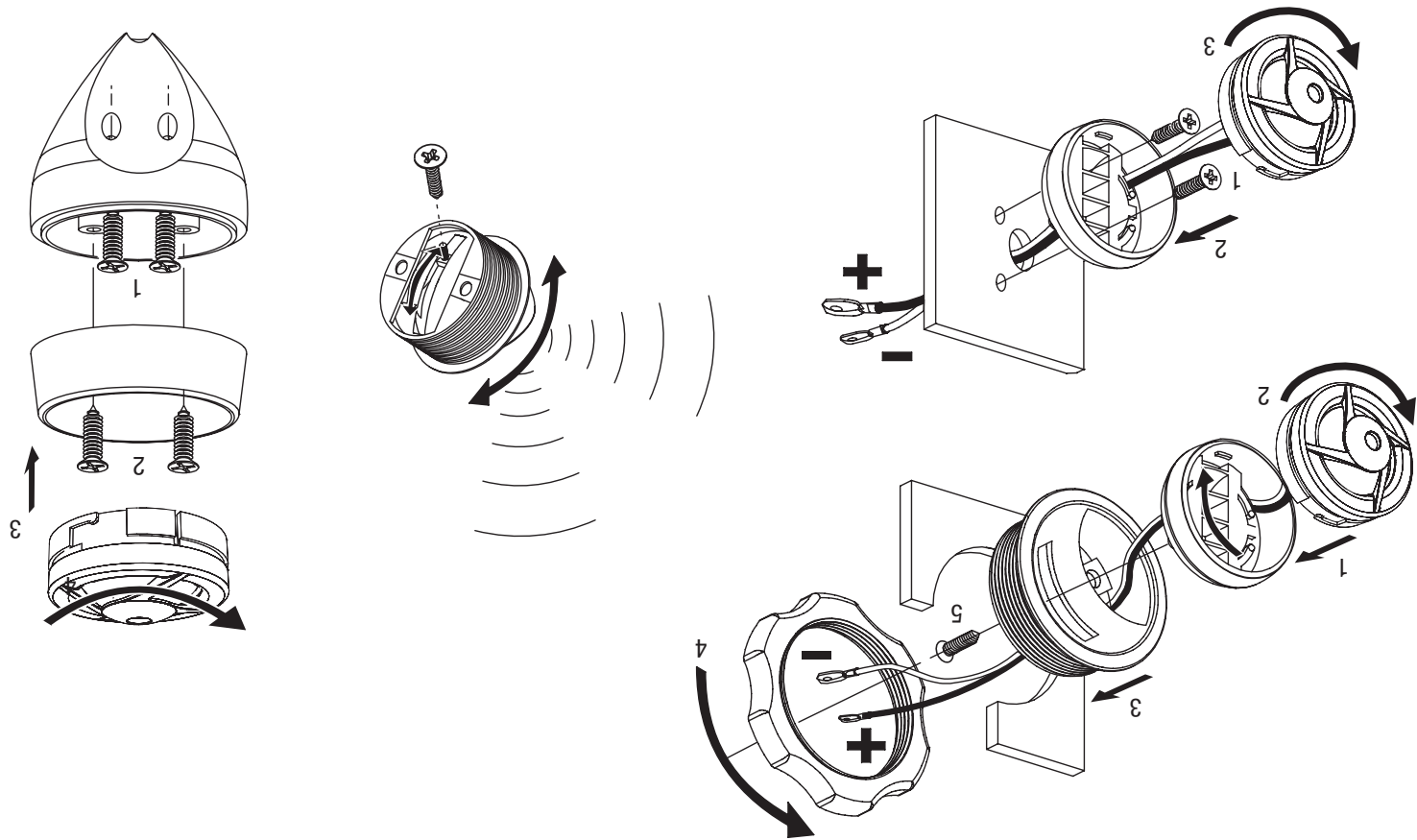
<https://130.com.ua>



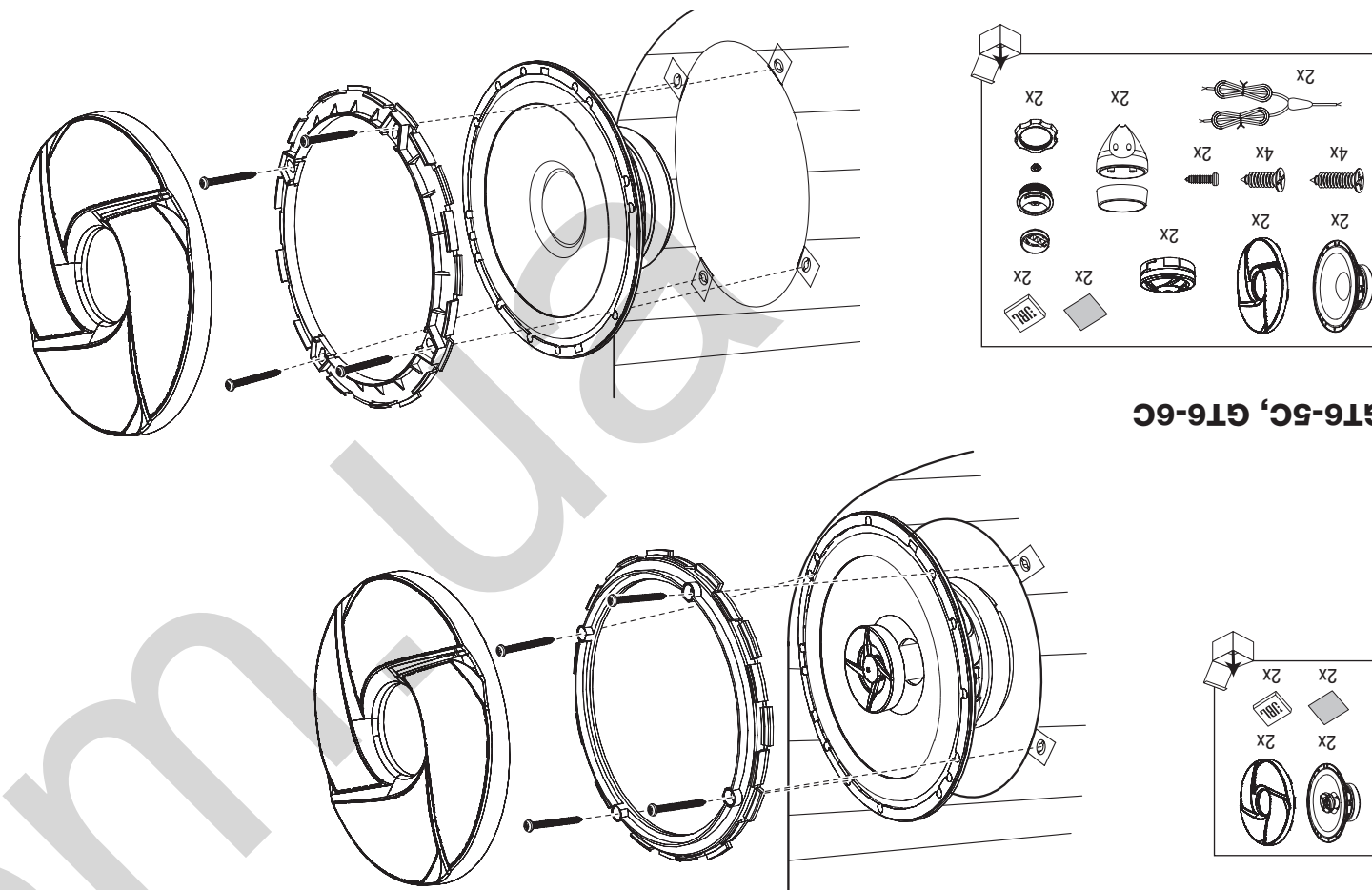
GT6-5C, GT6-6C



GT6-4, GT6-5, GT6-6, GT6-69

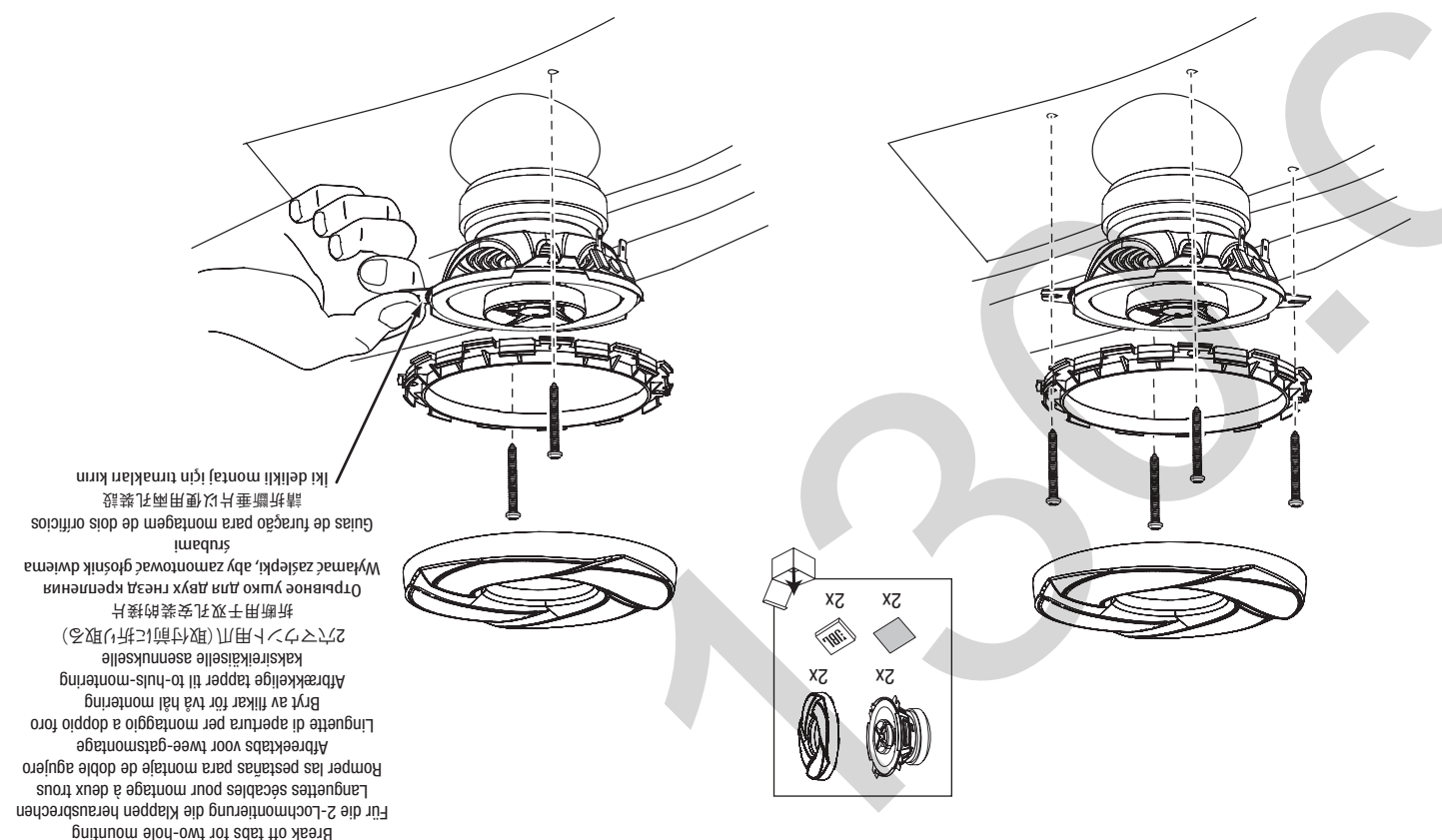


GT6-5C, GT6-6C

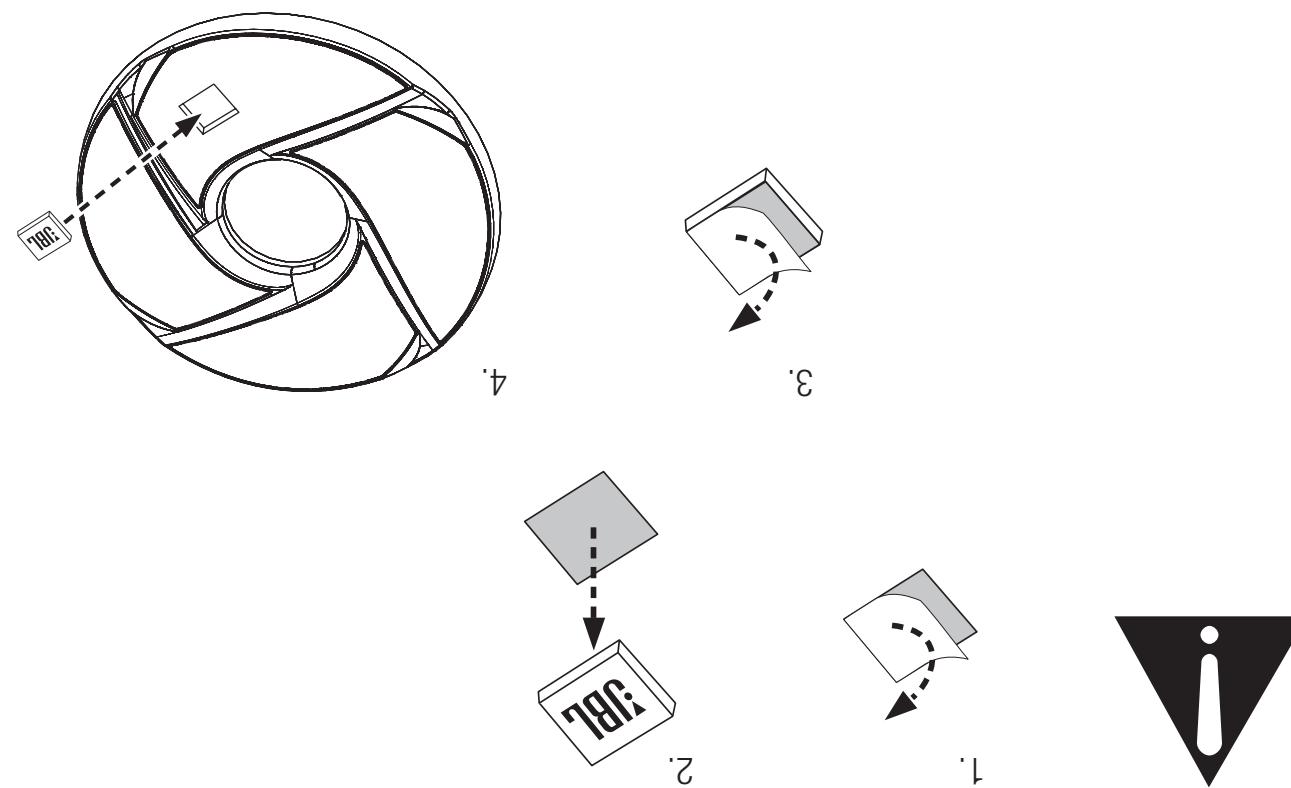


GT6-5C, GT6-6C

GT6-5, GT6-6, GT6-69



GT6-4



**HARMAN**  
 HARMAN Consumer, Inc.  
 8500 Balboa Boulevard, Northridge, CA 91329 USA  
 © 2010 HARMAN International Industries, Incorporated. All rights reserved.  
 JBL is a trademark of HARMAN International Industries, Incorporated, registered in the United States and/or other countries.  
 Features, specifications and appearance are subject to change without notice.  
 © 2010 HARMAN International Industries, Incorporated. Alle Rechte vorbehalten.  
 JBL ist eine Marke von HARMAN International Industries, Incorporated, eingetragen in den USA und/oder anderen Ländern.  
 Alle Leistungsmerkmale und Spezifikationen sowie das mechanische Design können sich ohne vorherige Ankündigung ändern.  
 © 2010 HARMAN International Industries, Incorporated. Tous droits réservés.  
 JBL est une marque de HARMAN International Industries, Inc., déposée aux États-Unis et/ou dans d'autres pays.  
 Les fonctionnalités, les spécifications et l'aspect du produit peuvent être modifiés sans préavis.  
 © 2010 HARMAN International Industries, Incorporated. Reservados todos los derechos.  
 JBL es una marca de HARMAN International Industries, Incorporated, registrada en los Estados Unidos y/o en otros países.  
 Las funciones, las especificaciones y el formato están sujetos a cambios sin previo aviso.  
 © 2010 HARMAN International Industries, Incorporated. Alle rechten voorbehouden.  
 JBL is een handelsmerk van HARMAN International Industries, Incorporated, geregistreerd in de Verenigde Staten en/of andere landen.  
 Eigenschappen, specificaties en vormgeving kunnen zonder voorafgaande kennisgeving worden gewijzigd.  
 © 2010 HARMAN International Industries, Incorporated. Tutti i diritti sono riservati.  
 JBL è un marchio proprietario di HARMAN International Industries, Incorporated, registrato negli Stati Uniti e/o in altri paesi.  
 Funzionalità, specifiche e aspetto sono soggetti a modifica senza preavviso.  
 © 2010 HARMAN International Industries, Incorporated. Alla rättigheter reserverade.  
 JBL är ett varumärke som tillhör HARMAN International Industries, Incorporated, som är registrerad i USA och/eller andra länder.  
 Funktioner, specifikationer och design kan komma att ändras utan föregående meddelande.  
 © 2010 HARMAN International Industries, Incorporated. Alle rettigheder forbeholdes.  
 JBL varemärke tillhör HARMAN International Industries, Inc., registreret i USA og/eller andre lande.  
 Der forbeholdes ret til ændring af beskrivelse, specifikationer og udsende uden varsel.

© 2010 HARMAN International Industries, Incorporated. Kaikki oikeudet pidätetään.  
 JBL on HARMAN International Industries, Incorporatedin tavaramerkki, joka on rekisteröity Yhdysvalloissa ja/tai muissa maissa.  
 Ominaisuuksia, teknisiä tietoja ja ulkoista muotoa voidaan muuttaa ilman erillistä ilmoitusta.  
 © 2010 HARMAN International Industries, Incorporated. 無断複写・転載を禁じます。  
 JBLは米国およびその他の国々におけるHARMAN International Industries, Incorporatedの登録商標です。  
 製品の仕様および外観は、改良のため予告無く変更する場合があります。  
 © 2010 HARMAN International Industries, Incorporated. 保留一切権利。  
 JBL 为在美国及/或其他国家注册并受保护的商标。  
 (HARMAN International Industries, Incorporated) 的商標。  
 以上规格如有变更，恕不另行通知。  
 © 2010 HARMAN International Industries, Incorporated. Все права защищены.  
 JBL является торговой маркой HARMAN International Industries, Incorporated, зарегистрированной в США и/или в других странах.  
 Функции, характеристики и внешний вид описываемых компонентов могут быть изменены без предварительного уведомления.  
 © 2010 HARMAN International Industries, Incorporated. Wszystkie prawa zastrzeżone.  
 JBL to znak towarowy HARMAN International Industries, Incorporated zarejestrowany w Stanach Zjednoczonych i/lub innych krajach.  
 Cechy, dane techniczne i wygląd produktów mogą być przedmiotem zmian bez uprzedniego poinformowania.  
 © 2010 HARMAN International Industries, Incorporated. Todos os direitos reservados.  
 JBL é uma marca comercial da HARMAN International Industries, Incorporated, registrada nos Estados Unidos e/ou noutros países.  
 As funções, as especificações e o aspecto estão sujeitos a alteração sem aviso prévio.  
 © 2010 HARMAN International Industries, Incorporated. 保留所有權利。  
 JBL 是 HARMAN International Industries, Incorporated 在美國及/或其他國家或地區的註冊商標。  
 功能、規格和外觀如有更改，恕不另行通知。  
 © 2010 HARMAN International Industries, Incorporated. Tüm hakları saklıdır.  
 JBL, HARMAN International Industries, Incorporated firmasının ABD ve/veya diğer ülkelerde tescilli edilmis ticari markasıdır.  
 Özellikleri, teknik özellikleri ve görünümleri önceden haber verilmeden değiştirilebilir.



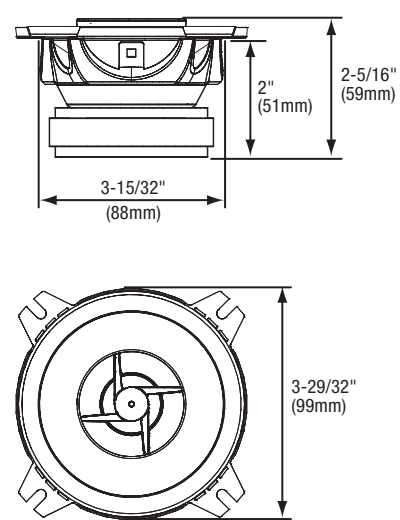
# JBL® GT6 SERIES

car audio speaker  
 car-audio lautsprecher  
 haut-parleur pour voiture  
 altavoz de audio para automóvil  
 audioluidspreker voor in de auto  
 diffusore audio per automobile  
 bilhögtalare  
 bilhöjtaler  
 autokaiutin  
 カーオーディオ・スピーカー  
 车载扬声器  
 автомобильный громкоговоритель  
 głośnik samochodowy  
 columna de som para automóvel  
 車用音響喇叭  
 araç hoparlörü

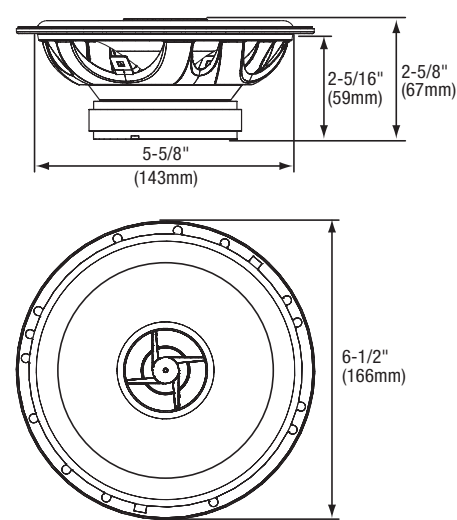


**INSTALLATION MANUAL**  
**EINBAUANLEITUNG**  
**GUIDE D'INSTALLATION**  
**MANUAL DE INSTALACIÓN**  
**MONTAGEHANDLEIDING**  
**INSTALLAZIONE MANUALE**  
**INSTALLATIONS MANUAL**  
**INSTALLATIONSVEJLEDNING**  
**ASENUSOHJE**  
**取付説明書**  
**安裝手冊**  
**РУКОВОДСТВО ПО**  
**УСТАНОВКЕ**  
**PODRĘCZNIK INSTALACJI**  
**MANUAL DE INSTALAÇÃO**  
**安裝手冊**  
**KURULUM KILAVUZU**

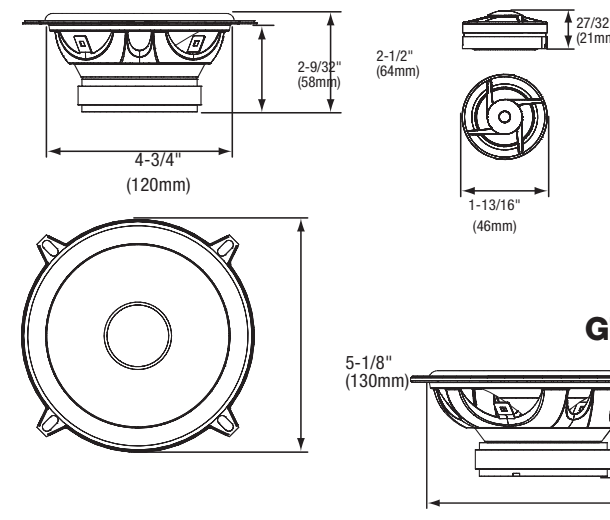
**GT6-4**



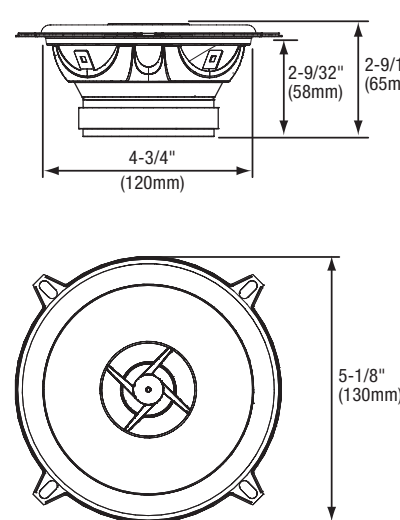
**GT6-6**



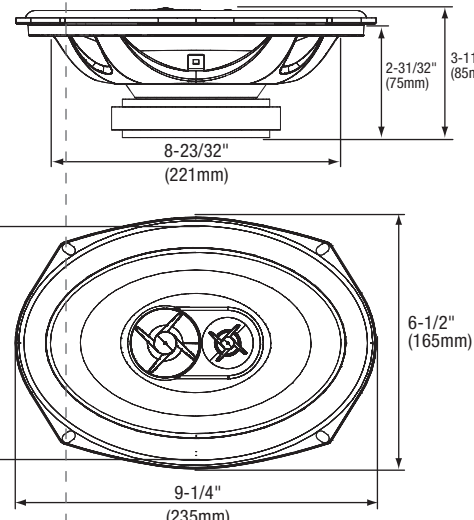
**GT6-5C**



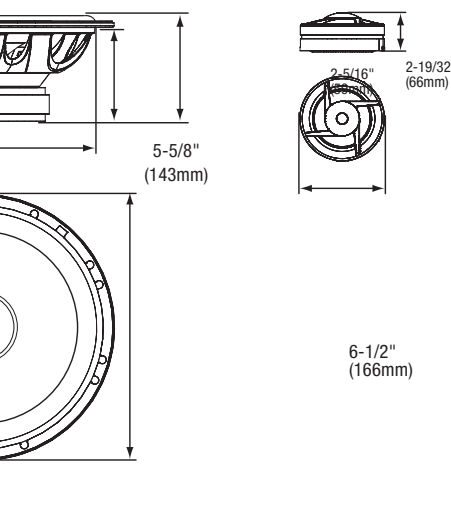
**GT6-5**



**GT6-69**



**GT6-6C**



**THIELE-SMALL PARAMETERS**

**THIELE-SMALL PARAMETER**

**PARAMÈTRES DE THIELE-SMALL**

**PARÁMETROS THIELE-SMALL**

**THIELE-SMALL-PARAMETERS**

**PARAMETRI THIELE PICCOLO**

**THIELE-SMALL-PARAMETERAR**

**THIELE-SMALL PARAMETRE**

**THIELE-SMALL PARAMETRIT**

**ティール・スモール・パラメータ**

**低頻参数**

**ПАРАМЕТРЫ ТИЛЯ-СМОЛЛЯ**

**PARAMETRY THIELE-SMALL**

**PARÁMETROS THIELE-SMALL**

**THIELE-SMALL参数**

**THIELE-SMALL PARAMETRELERI**

	GT6-4	GT6-5	GT6-6	GT6-69	GT6-5C	GT6-6C
BL (T.m)	3.13	3.81	4.07	5.38	3.73	3.73
DCR (ohms)	3.13	3.10	3.09	3.09	3.14	3.09
Mms (g)	5.07	8.00	10.97	19.54	8.27	11.24
Sd (cm²)	55.42	103.87	143.14	222.66	103.87	143.14
Cms (µm/N)	476	408	359	399	470	445
Vas (l)	2.05	6.18	10.33	27.78	7.12	12.80
Fs (Hz)	102.49	88.15	80.20	57.00	80.77	71.18
Qes	1.04	0.95	1.03	0.75	0.95	1.12
Qms	8.99	8.64	5.51	5.60	8.00	4.94
Qts	0.93	0.85	0.87	0.66	0.85	0.91

SPECIFICATIONS	GT6-4	GT6-5	GT6-6	GT6-69	GT6-5C	GT6-6C	GT6-5C, GT6-6C Tweeter
Type	4" two-way speaker	5-1/4" two-way speaker	6-1/2" two-way speaker	6" x 9" three-way speaker	5-1/4" two-way component system	6-1/2" two-way component system	1" component tweeter
Continuous power handling	30W	35W	45W	70W	40W	50W	--
Peak power handling	90W	105W	135W	210W	120W	150W	--
Frequency response	75Hz - 20kHz	70Hz - 20kHz	55Hz - 20kHz	40Hz - 20kHz	70Hz - 20kHz	55Hz - 20kHz	--
Nominal impedance	4 ohms	4 ohms	4 ohms	4 ohms	4 ohms	4 ohms	--
Sensitivity (2.83V/1m)	90dB	93dB	93dB	94dB	92dB	92dB	--
External diameter	3-29/32" (99mm)	5-1/8" (130mm)	6-1/2" (166mm)	9-1/4" x 6-1/2" (235mm x 165mm)	5-1/8" (130mm)	6-1/2" (166mm)	1-13/16" (46mm)
Mounting cutout diameter	3-15/32" (88mm)	4-3/4" (120mm)	5-5/8" (143mm)	8-23/32" x 5-29/32" (221mm x 150mm)	4-3/4" (120mm)	5-5/8" (143mm)	4-3/4" (120mm)
Total depth	2-5/16" (59mm)	2-9/16" (65mm)	2-5/8" (67mm)	3-11/32" (85mm)	2-1/2" (64mm)	2-19/32" (66mm)	27/32" (21mm)
Mounting depth	2" (51mm)	2-9/32" (58mm)	2-5/16" (59mm)	2-31/32" (75mm)	2-9/32" (58mm)	2-5/16" (59mm)	2-9/32" (58mm)

TECHNISCHE DATEN	GT6-4	GT6-5	GT6-6	GT6-69	GT6-5C	GT6-6C	GT6-5C, GT6-6C Hochtöner
Typ	4" 2-Wege Lautsprecher	5-1/4" 2-Wege Lautsprecher	6-1/2" 2-Wege Lautsprecher	6" x 9" 3-Wege Lautsprecher	5-1/4" 2-Wege Komponentensystem	6-1/2" 2-Wege Komponentensystem	1" Hochtöner
Dauerbelastbarkeit	30 W	35 W	45 W	70 W	40 W	50 W	--
Spitzenbelastbarkeit	90 W	105 W	135 W	210 W	120 W	150 W	--
Frequenzbereich	75 Hz - 20 kHz	70 Hz - 20 kHz	55 Hz - 20 kHz	40 Hz - 20 kHz	70 Hz - 20 kHz	55 Hz - 20 kHz	--
Nennimpedanz	4 Ohm	4 Ohm	4 Ohm	4 Ohm	4 Ohm	4 Ohm	--
Wirkungsgrad @ 2,83V/1 Meter	90 dB	93 dB	93 dB	94 dB	92 dB	92 dB	--
Außendurchmesser	99 mm	130 mm	166 mm	235 mm x 165 mm	130 mm	166 mm	46 mm
Durchmesser des Montageausschnittes	88 mm	120 mm	143 mm	221 mm x 150 mm	120 mm	143 mm	120 mm
Vollständige Tiefe	59 mm	65 mm	67 mm	85 mm	64 mm	66 mm	21 mm
Einbautiefe	51 mm	58 mm	59 mm	75 mm	58 mm	59 mm	58 mm

CARACTÉRISTIQUES	GT6-4	GT6-5	GT6-6	GT6-69	GT6-5C	GT6-6C	GT6-5C, GT6-6C Tweeter
Type	4" haut-parleur deux voies	5-1/4" haut-parleur deux voies	6-1/2" haut-parleur deux voies	6" x 9" haut-parleur trois voies	5-1/4" système composant deux voies	6-1/2" système composant deux voies	1" tweeter composant
Puissance continue admissible	30W	35W	45W	70W	40W	50W	--
Puissance crête admissible	90W	105W	135W	210W	120W	150W	--
Réponse en fréquence	75Hz - 20kHz	70Hz - 20kHz	55Hz - 20kHz	40Hz - 20kHz	70Hz - 20kHz	55Hz - 20kHz	--
Impédance nominale	4 ohms	4 ohms	4 ohms	4 ohms	4 ohms	4 ohms	--
Sensibilité @ 2,83V/1m	90dB	93dB	93dB	94dB	92dB	92dB	--
Diamètre extérieur	3-29/32" (99mm)	5-1/8" (130mm)	6-1/2" (166mm)	9-1/4" x 6-1/2" (235mm x 165mm)	5-1/8" (130mm)	6-1/2" (166mm)	1-13/16" (46mm)
Diamètre de découpe	3-15/32" (88mm)	4-3/4" (120mm)	5-5/8" (143mm)	8-23/32" x 5-29/32" (221mm x 150mm)	4-3/4" (120mm)	5-5/8" (143mm)	4-3/4" (120mm)
Profondeur totale	2-5/16" (59mm)	2-9/16" (65mm)	2-5/8" (67mm)	3-11/32" (85mm)	2-1/2" (64mm)	2-19/32" (66mm)	27/32" (21mm)
Profondeur de montage	2" (51mm)	2-9/32" (58mm)	2-5/16" (59mm)	2-31/32" (75mm)	2-9/32" (58mm)	2-5/16" (59mm)	2-9/32" (58mm)

ESPECIFICACIONES	GT6-4	GT6-5	GT6-6	GT6-69	GT6-5C	GT6-6C	GT6-5C, GT6-6C Tweeter
Tipo	4" altavoces de dos vías	5-1/4" altavoces de dos vías	6-1/2" altavoces de dos vías	6" x 9" altavoces de tres vías	5-1/4" componente de sistema de dos vías	6-1/2" componente de sistema de dos vías	Componente tweeter
Manejo de potencia continua	30W	35W	45W	70W	40W	50W	--
Manejo de potencia punta	90W	105W	135W	210W	120W	150W	--
Respuesta en frecuencia	75Hz - 20kHz	70Hz - 20kHz	55Hz - 20kHz	40Hz - 20kHz	70Hz - 20kHz	55Hz - 20kHz	--
Impedancia nominal	4 ohms	4 ohms	4 ohms	4 ohms	4 ohms	4 ohms	--
Sensibilidad @ 1 metro	90dB	93dB	93dB	94dB	92dB	92dB	--
Díametro exterior	3-29/32" (99mm)	5-1/8" (130mm)	6-1/2" (166mm)	9-1/4" x 6-1/2" (235mm x 165mm)	5-1/8" (130mm)	6-1/2" (166mm)	1-13/16" (46mm)
Montaje de diámetro recorte	3-15/32" (88mm)	4-3/4" (120mm)	5-5/8" (143mm)	8-23/32" x 5-29/32" (221mm x 150mm)	4-3/4" (120mm)	5-5/8" (143mm)	4-3/4" (120mm)
Profundidad total	2-5/16" (59mm)	2-9/16" (65mm)	2-5/8" (67mm)	3-11/32" (85mm)	2-1/2" (64mm)	2-19/32" (66mm)	27/32" (21mm)
Profundidad de montaje	2" (51mm)	2-9/32" (58mm)	2-5/16" (59mm)	2-31/32" (75mm)	2-9/32" (58mm)	2-5/16" (59mm)	2-9/32" (58mm)

SPECIFICATIES	GT6-4	GT6-5	GT6-6	GT6-69	GT6-5C	GT6-6C	GT6-5C, GT6-6C Tweeter
Type	4" twee-vegeluidspreker	5-1/4" twee-vegeluidspreker	6-1/2" twee-vegeluidspreker	6" x 9" drie-vegeluidspreker	5-1/4" twee-vegeluidspreker systeem	6-1/2" twee-vegeluidspreker systeem	component tweeter
Continuïerig vermogen	30 W	35 W	45 W	70 W	40 W	50 W	--
Piekvermogen	90 W	105 W	135 W	210 W	120 W	150 W	--
Frequentiebereik	75 Hz - 20 kHz	70 Hz - 20 kHz	55 Hz - 20 kHz	40 Hz - 20 kHz	70 Hz - 20 kHz	55 Hz - 20 kHz	--
Nominale impedantie	4 ohm	4 ohm	4 ohm	4 ohm	4 ohm	4 ohm	--
Gevoeligheid @ 1 meter	90 dB	93 dB	93 dB	94 dB	92 dB	92 dB	--
Uitwendige diameter	3-29/32" (99 mm)	5-1/8" (130 mm)	6-1/2" (166 mm)	9-1/4" x 6-1/2" (235 mm x 165 mm)	5-1/8" (130 mm)	6-1/2" (166 mm)	1-13/16" (46 mm)
Montage uitgangsdiаметer	3-15/32" (88 mm)	4-3/4" (120 mm)	5-5/8" (143 mm)	8-23/32" x 5-29/32" (221 mm x 150 mm)	4-3/4" (120 mm)	5-5/8" (143 mm)	4-3/4" (120 mm)
Totale diepte	2-5/16" (59 mm)	2-9/16" (65 mm)	2-5/8" (67 mm)	3-11/32" (85 mm)	2-1/2" (64 mm)	2-19/32" (66 mm)	27/32" (21 mm)
Inbouwdiepte	2" (51 mm)	2-9/32" (58 mm)	2-5/16" (59 mm)	2-31/32" (75 mm)	2-9/32" (58 mm)	2-5/16" (59 mm)	2-9/32" (58 mm)

SPECIFICHE	GT6-4	GT6-5	GT6-6	GT6-69	GT6-5C	GT6-6C	GT6-5C, GT6-6C Tweeter
Tipo	4" diffusore a due vie	5-1/4" diffusore a due vie	6-1/2" diffusore a due vie	6" x 9" diffusore a tre vie	5-1/4" sistema componente a due vie	6-1/2" sistema componente a due vie	1" tweeter componente
Gestione continua corrente	30W	35W	45W	70W	40W	50W	--
Gestione corrente picco	90W	105W	135W	210W	120W	150W	--
Risposta in frequenza	75Hz - 20kHz	70Hz - 20kHz	55Hz - 20kHz	40Hz - 20kHz	70Hz - 20kHz	55Hz - 20kHz	--
Impedenza nominale	4 ohm	4 ohm	4 ohm	4 ohm	4 ohm	4 ohm	--
Sensibilità @ 1 metro	90dB	93dB	93dB	94dB	92dB	92dB	--
Diametro esterno	3-29/32" (99mm)	5-1/8" (130mm)	6-1/2" (166mm)	9-1/4" x 6-1/2" (235mm x 165mm)	5-1/8" (130mm)	6-1/2" (166mm)	1-13/16" (46mm)
Diametro soglia di montaggio	3-15/32" (88mm)	4-3/4" (120mm)	5-5/8" (143mm)	8-23/32" x 5-29/32" (221mm x 150mm)	4-3/4" (120mm)	5-5/8" (143mm)	4-3/4" (120mm)
Profondità totale	2-5/16" (59mm)	2-9/16" (65mm)	2-5/8" (67mm)	3-11/32" (85mm)	2-1/2" (64mm)	2-19/32" (66mm)	27/32" (21mm)
Profondità di montaggio	2" (51mm)	2-9/32" (58mm)	2-5/16" (59mm)	2-31/32" (75mm)	2-9/32" (58mm)	2-5/16" (59mm)	2-9/32" (58mm)

SPECIFIKATIONER	GT6-4	GT6-5	GT6-6	GT6-69	GT6-5C	GT6-6C	GT6-5C, GT6-6C Diskant/högtalare
Type	4" två-vägs högtalare	5-1/4" två-vägs högtalare	6-1/2" två-vägs högtalare	6" x 9" tre-vägs högtalare	5-1/4" två-vägs komponent-system	6-1/2" två-vägs komponent-system	komponent diskant/högtalare
Kontinuerlig märkeffekt	30W	35W	45W	70W	40W	50W	--
Toppeffekt hantering	90W	105W	135W	210W	120W	150W	--
Frekvensområde	75Hz - 20kHz	70Hz - 20kHz	55Hz - 20kHz	40Hz - 20kHz	70Hz - 20kHz	55Hz - 20kHz	--
Nominell impedans	4 ohms	4 ohms	4 ohms	4 ohms	4 ohms	4 ohms	--
Känslighet 2,83V @ 1 meter	90dB	93dB	93dB	94dB	92dB	92dB	--
Ytre diameter	3-29/32" (99mm)	5-1/8" (130mm)	6-1/2" (166mm)	9-1/4" x 6-1/2" (235mm x 165mm)	5-1/8" (130mm)	6-1/2" (166mm)	1-13/16" (46mm)
Montering utskuren diameter	3-15/32" (88mm)	4-3/4" (120mm)	5-5/8" (143mm)	8-23/32" x 5-29/32" (221mm x 150mm)	4-3/4" (120mm)	5-5/8" (143mm)	4-3/4" (120mm)
Totalt djup	2-5/16" (59mm)	2-9/16" (65mm)	2-5/8" (67mm)	3-11/32" (85mm)	2-1/2" (64mm)	2-19/32" (66mm)	27/32" (21mm)
Monteringsdjup	2" (51mm)	2-9/32" (58mm)	2-5/16" (59mm)	2-31/32" (75mm)	2-9/32" (58mm)	2-5/16" (59mm)	2-9/32" (58mm)

SPECIFIKATIONER	GT6-4	GT6-5	GT6-6	GT6-69	GT6-5C	GT6-6C	GT6-5C, GT6-6C Tweeter
Type	4" tvåvägs högtalare	5-1/4" tvåvägs högtalare	6-1/2" tvåvägs högtalare	6" x 9" trevägs högtalare	5-1/4" tvåvägs komponent-system	6-1/2" tvåvägs komponent-system	komponent-tweeter
Kontinuerlig strömstyring	30W	35W	45W	70W	40W	50W	--
Spidsbelastning-strömstyring	90W	105W	135W	210W	120W	150W	--
Frekvensangav	75Hz - 20kHz	70Hz - 20kHz	55Hz - 20kHz	40Hz - 20kHz	70Hz - 20kHz	55Hz - 20kHz	--
Nominal impedans	4 ohm	4 ohm	4 ohm	4 ohm	4 ohm	4 ohm	--
Følsomhed 2,83V, 1m	90dB	93dB	93dB	94dB	92dB	92dB	--
Ekstern diameter	3-29/32" (99mm)	5-1/8" (130mm)	6-1/2" (166mm)	9-1/4" x 6-1/2" (235mm x 165mm)	5-1/8" (130mm)	6-1/2" (166mm)	1-13/16" (46mm)
udskåret diameter	3-15/32" (88mm)	4-3/4" (120mm)	5-5/8" (143mm)	8-23/32" x 5-29/32" (221mm x 150mm)	4-3/4" (120mm)	5-5/8" (143mm)	4-3/4" (120mm)
Total dybde	2-5/16" (59mm)	2-9/16" (65mm)	2-5/8" (67mm)	3-11/32" (85mm)	2-1/2" (64mm)	2-19/32" (66mm)	27/32" (21mm)
Monteringsdybde	2" (51mm)	2-9/32" (58mm)	2-5/16" (59mm)	2-31/32" (75mm)</			