



PHONES

0 (800) 800 130
(050) 462 0 130
(063) 462 0 130
(067) 462 0 130

130
COM.UA

Internet store of
autogoods



SKYPE

km-130

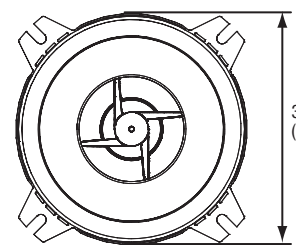
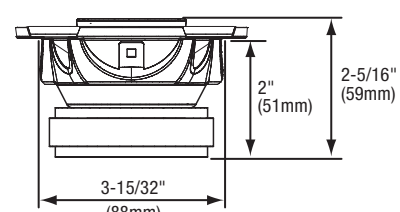
CAR RECEIVERS — Receivers • Media receivers and stations • Native receivers • CD/DVD changers • FM-modulators/USB adapters • Flash memory • Facia plates and adapters • Antennas • Accessories |
 CAR AUDIO — Car audio speakers • Amplifiers • Subwoofers • Processors • Crossovers • Headphones • Accessories | TRIP COMPUTERS — Universal computers • Model computers • Accessories |
 GPS NAVIGATORS — Portable GPS • Built-in GPS • GPS modules • GPS trackers • Antennas for GPS navigators • Accessories | VIDEO — DVR • TV sets and monitors • Car TV tuners • Cameras • Videomodules
 • Transcoders • Car TV antennas • Accessories | SECURITY SYSTEMS — Car alarms • Bike alarms • Mechanical blockers • Immobilizers • Sensors • Accessories | OPTIC AND LIGHT — Xenon • Bixenon • Lamps
 • LED • Stroboscopes • Optic and Headlights • Washers • Light, rain sensors • Accessories | PARKTRONICS AND MIRRORS — Rear parktronic • Front parktronic • Combined parktronic • Rear-view mirrors
 • Accessories | HEATING AND COOLING — Seat heaters • Mirrors heaters • Screen-wipers heaters • Engine heaters • Auto-refrigerators • Air conditioning units • Accessories | TUNING — Vibro-isolation
 • Noise-isolation • Tint films • Accessories | ACCESSORIES — Radar-detectors • Handsfree, Bluetooth • Windowlifters • Compressors • Beeps, loudspeakers • Measuring instruments • Cleaners • Car seats
 • Miscellaneous | MOUNTING — Installation kits • Upholstery • Grilles • Tubes • Cable and wire • Tools • Miscellaneous | POWER — Batteries • Converters • Start-charging equipment • Capacitors
 • Accessories | MARINE AUDIO AND ELECTRONICS — Marine receivers • Marine audio speakers • Marine subwoofers • Marine amplifiers • Accessories | CAR CARE PRODUCTS — Additives • Washer fluid •
 Care accessories • Car polish • Flavors • Adhesives and sealants | LIQUID AND OIL — Motor oil • Transmission oil • Brake fluid • Antifreeze • Technical lubricant



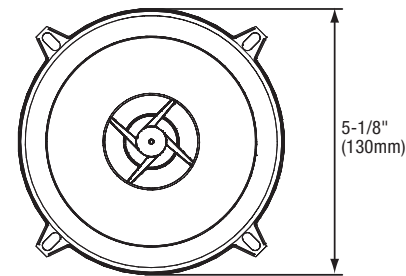
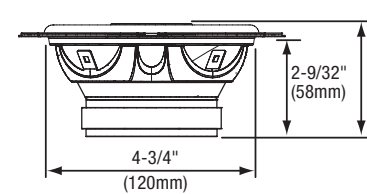
In store "130" you can find and buy almost all necessary goods for your auto in Kyiv and other cities, delivery by ground and postal services. Our experienced consultants will provide you with exhaustive information and help you to choose the very particular thing. We are waiting for you at the address

<https://130.com.ua>

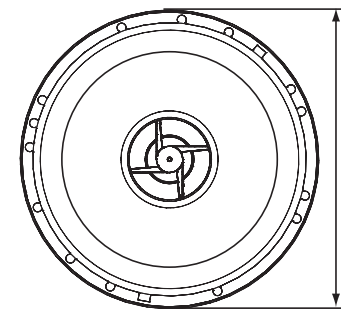
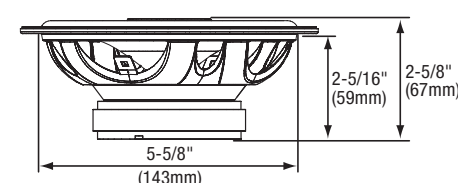
GT6-4



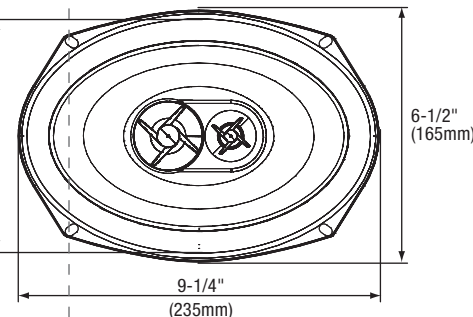
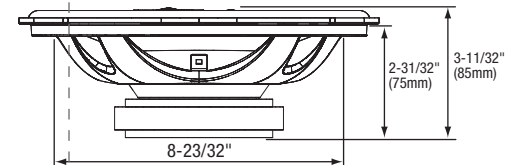
GT6-5



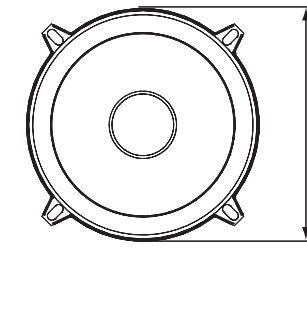
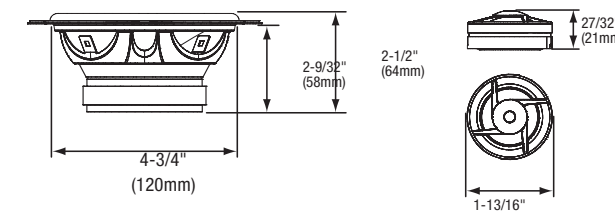
GT6-6



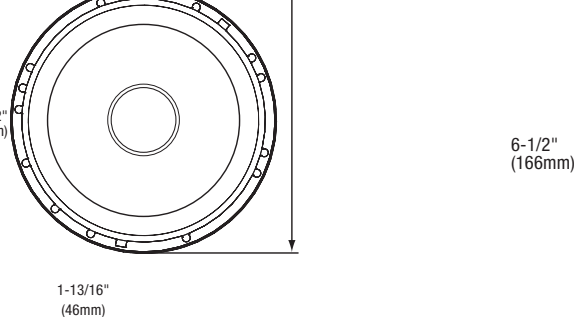
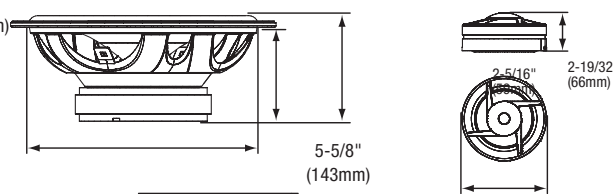
GT6-69



GT6-5C



GT6-6C



THIELE-SMALL PARAMETERS

THIELE-SMALL PARAMETER

PARAMÈTRES DE THIELE-SMALL

PARÁMETROS THIELE-SMALL

THIELE-SMALL-PARAMETERS

PARAMETRI THIELE PICCOLO

THIELE-SMALL-PARAMETERAR

THIELE-SMALL PARAMETRE

THIELE-SMALL PARAMETRIT

ティール・スモール・パラメータ

低頻参数

ПАРАМЕТРЫ ТИЛЯ-СМОЛЛЯ

PARAMETRY THIELE-SMALL

PARÁMETROS THIELE-SMALL

THIELE-SMALL参数

THIELE-SMALL PARAMETRELERI

	GT6-4	GT6-5	GT6-6	GT6-69	GT6-5C	GT6-6C
BL (T.m)	3.13	3.81	4.07	5.38	3.73	3.73
DCR (ohms)	3.0W	3.10	3.09	3.09	3.14	3.09
Mms (g)	5.07	8.00	10.97	19.54	8.27	11.24
Sd (cm²)	55.42	103.87	143.14	222.66	103.87	143.14
Cms (µm/N)	476	408	359	399	470	445
Vas (l)	2.05	6.18	10.33	27.78	7.12	12.80
Fs (Hz)	102.49	88.15	80.20	57.00	80.77	71.18
Qes	1.04	0.95	1.03	0.75	0.95	1.12
Qms	8.99	8.64	5.51	5.60	8.00	4.94
Qts	0.93	0.85	0.87	0.66	0.85	0.91

SPECIFICATIONS

	GT6-4	GT6-5	GT6-6	GT6-69	GT6-5C	GT6-6C	GT6-5C, GT6-6C Tweeter
Type	4" two-way speaker	5-1/4" two-way speaker	6-1/2" two-way speaker	6" x 9" three-way speaker	5-1/4" two-way component system	6-1/2" two-way component system	1" component tweeter
Continuous power handling	30W	35W	45W	70W	40W	50W	--
Peak power handling	90W	105W	135W	210W	120W	150W	--
Frequency response	75Hz - 20kHz	70Hz - 20kHz	55Hz - 20kHz	40Hz - 20kHz	70Hz - 20kHz	55Hz - 20kHz	--
Nominal impedance	4 ohms	4 ohms	4 ohms	4 ohms	4 ohms	4 ohms	--
Sensitivity (2.83V/1m)	90dB	93dB	93dB	94dB	92dB	92dB	--
External diameter	3-29/32" (99mm)	5-1/8" (130mm)	6-1/2" (166mm)	9-1/4" x 6-1/2" (235mm x 165mm)	5-1/8" (130mm)	6-1/2" (166mm)	1-13/16" (46mm)
Mounting cutout diameter	3-15/32" (88mm)	4-3/4" (120mm)	5-5/8" (143mm)	8-23/32" x 5-29/32" (221mm x 150mm)	4-3/4" (120mm)	5-5/8" (143mm)	4-3/4" (120mm)
Total depth	2-5/16" (59mm)	2-9/16" (65mm)	2-5/8" (67mm)	3-11/32" (85mm)	2-1/2" (64mm)	2-19/32" (66mm)	27/32" (21mm)
Mounting depth	2" (51mm)	2-9/32" (58mm)	2-5/16" (59mm)	2-31/32" (75mm)	2-9/32" (58mm)	2-5/16" (59mm)	2-9/32" (58mm)

TECHNISCHE DATEN

	GT6-4	GT6-5	GT6-6	GT6-69	GT6-5C	GT6-6C	GT6-5C, GT6-6C Hochtöner
Typ	4" 2-Wege Lautsprecher	5-1/4" 2-Wege Lautsprecher	6-1/2" 2-Wege Lautsprecher	6" x 9" 3-Wege Lautsprecher	5-1/4" 2-Wege Komponentensystem	6-1/2" 2-Wege Komponentensystem	1" Hochtöner
Dauerbelastbarkeit	30 W	35 W	45 W	70 W	40 W	50 W	--
Spitzenbelastbarkeit	90 W	105 W	135 W	210 W	120 W	150 W	--
Frequenzbereich	75 Hz - 20 kHz	70 Hz - 20 kHz	55 Hz - 20 kHz	40 Hz - 20 kHz	70 Hz - 20 kHz	55 Hz - 20 kHz	--
Nennimpedanz	4 Ohm	4 Ohm	4 Ohm	4 Ohm	4 Ohm	4 Ohm	--
Wirkungsgrad @ 2,83V/1 Meter	90 dB	93 dB	93 dB	94 dB	92 dB	92 dB	--
Außendurchmesser	99 mm	130 mm	166 mm	235 mm x 165 mm	130 mm	166 mm	46 mm
Durchmesser des Montageausschnittes	88 mm	120 mm	143 mm	221 mm x 150 mm	120 mm	143 mm	120 mm
Vollständige Tiefe	59 mm	65 mm	67 mm	85 mm	64 mm	66 mm	21 mm
Einbautiefe	51 mm	58 mm	59 mm	75 mm	58 mm	59 mm	58 mm

CARACTÉRISTIQUES

	GT6-4	GT6-5	GT6-6	GT6-69	GT6-5C	GT6-6C	GT6-5C, GT6-6C Tweeter
Type	4" haut-parleur deux voies	5-1/4" haut-parleur deux voies	6-1/2" haut-parleur deux voies	6" x 9" haut-parleur trois voies	5-1/4" système composant deux voies	6-1/2" système composant deux voies	1" tweeter composant
Puissance continue admissible	30W	35W	45W	70W	40W	50W	--
Puissance crête admissible	90W	105W	135W	210W	120W	150W	--
Réponse en fréquence	75Hz - 20kHz	70Hz - 20kHz	55Hz - 20kHz	40Hz - 20kHz	70Hz - 20kHz	55Hz - 20kHz	--
Impédance nominale	4 ohms	4 ohms	4 ohms	4 ohms	4 ohms	4 ohms	--
Sensibilité @ 2,83V/1m	90dB	93dB	93dB	94dB	92dB	92dB	--
Diamètre extérieur	3-29/32" (99mm)	5-1/8" (130mm)	6-1/2" (166mm)	9-1/4" x 6-1/2" (235mm x 165mm)	5-1/8" (130mm)	6-1/2" (166mm)	1-13/16" (46mm)
Diamètre de découpe	3-15/32" (88mm)	4-3/4" (120mm)	5-5/8" (143mm)	8-23/32" x 5-29/32" (221mm x 150mm)	4-3/4" (120mm)	5-5/8" (143mm)	4-3/4" (120mm)
Profondeur totale	2-5/16" (59mm)	2-9/16" (65mm)	2-5/8" (67mm)	3-11/32" (85mm)	2-1/2" (64mm)	2-19/32" (66mm)	27/32" (21mm)
Profondeur de montage	2" (51mm)	2-9/32" (58mm)	2-5/16" (59mm)	2-31/32" (75mm)	2-9/32" (58mm)	2-5/16" (59mm)	2-9/32" (58mm)

ESPECIFICACIONES

	GT6-4	GT6-5	GT6-6	GT6-69	GT6-5C	GT6-6C	GT6-5C, GT6-6C Tweeter
Tipo	4" altavoces de dos vías	5-1/4" altavoces de dos vías	6-1/2" altavoces de dos vías	6" x 9" altavoces de tres vías	5-1/4" componente de sistema de dos vías	6-1/2" componente de sistema de dos vías	Componente tweeter
Manejo de potencia continua	30W	35W	45W	70W	40W	50W	--
Manejo de potencia punta	90W	105W	135W	210W	120W	150W	--
Respuesta en frecuencia	75Hz - 20kHz	70Hz - 20kHz	55Hz - 20kHz	40Hz - 20kHz	70Hz - 20kHz	55Hz - 20kHz	--
Impedancia nominal	4 ohms	4 ohms	4 ohms	4 ohms	4 ohms	4 ohms	--
Sensibilidad @ 1 metro	90dB	93dB	93dB	94dB	92dB	92dB	--
Díametro exterior	3-29/32" (99mm)	5-1/8" (130mm)	6-1/2" (166mm)	9-1/4" x 6-1/2" (235mm x 165mm)	5-1/8" (130mm)	6-1/2" (166mm)	1-13/16" (46mm)
Montaje de diámetro recorte	3-15/32" (88mm)	4-3/4" (120mm)	5-5/8" (143mm)	8-23/32" x 5-29/32" (221mm x 150mm)	4-3/4" (120mm)	5-5/8" (143mm)	4-3/4" (120mm)
Profundidad total	2-5/16" (59mm)	2-9/16" (65mm)	2-5/8" (67mm)	3-11/32" (85mm)	2-1/2" (64mm)	2-19/32" (66mm)	27/32" (21mm)
Profundidad de montaje	2" (51mm)	2-9/32" (58mm)	2-5/16" (59mm)	2-31/32" (75mm)	2-9/32" (58mm)	2-5/16" (59mm)	2-9/32" (58mm)

SPECIFICATIES

	GT6-4	GT6-5	GT6-6	GT6-69	GT6-5C	GT6-6C	GT6-5C, GT6-6C Tweeter
Type	4" twee-wegedrukker	5-1/4" twee-wegedrukker	6-1/2" twee-wegedrukker	6" x 9" drie-wegedrukker	5-1/4" twee-wegedrukker systeem	6-1/2" twee-wegedrukker systeem	component tweeter
Continuërmogen afhandeling	30 W	35 W	45 W	70 W	40 W	50 W	--
Piekvermogen afhandeling	90 W	105 W	135 W	210 W	120 W	150 W	--
Frequentieberek	75 Hz - 20 kHz	70 Hz - 20 kHz	55 Hz - 20 kHz	40 Hz - 20 kHz	70 Hz - 20 kHz	55 Hz - 20 kHz	--
Nominale impedantie	4 ohms	4 ohms	4 ohms	4 ohms	4 ohms	4 ohms	--
Gevoeligheid @ 1 meter	90 dB	93 dB	93 dB	94 dB	92 dB	92 dB	--
Uitwendige diameter	3-29/32" (99mm)	5-1/8" (130mm)	6-1/2" (166mm)	9-1/4" x 6-1/2" (235mm x 165mm)	5-1/8" (130mm)	6-1/2" (166mm)	1-13/16" (46mm)
Montage uitgangsdiаметer	3-15/32" (88mm)	4-3/4" (120mm)	5-5/8" (143mm)	8-23/32" x 5-29/32" (221mm x 150mm)	4-3/4" (120mm)	5-5/8" (143mm)	4-3/4" (120mm)
Totale diepte	2-5/16" (59mm)	2-9/16" (65mm)	2-5/8" (67mm)	3-11/32" (85mm)	2-1/2" (64mm)	2-19/32" (66mm)	27/32" (21mm)
Inbouwdiepte	2" (51mm)	2-9/32" (58mm)	2-5/16" (59mm)	2-31/32" (75mm)	2-9/32" (58mm)	2-5/16" (59mm)	2-9/32" (58mm)

SPECIFICHE

	GT6-4	GT6-5	GT6-6	GT6-69	GT6-5C	GT6-6C	GT6-5C, GT6-6C Tweeter
Tipo	4" diffusore a due vie	5-1/4" diffusore a due vie	6-1/2" diffusore a due vie	6" x 9" diffusore a tre vie	5-1/4" sistema componente a due vie	6-1/2" sistema componente a due vie	1" tweeter componente
Gestione continua corrente	30W	35W	45W	70W	40W	50W	--
Gestione corrente picco	90W	105W	135W	210W	120W	150W	--
Risposta in frequenza	75Hz - 20kHz	70Hz - 20kHz	55Hz - 20kHz	40Hz - 20kHz	70Hz - 20kHz	55Hz - 20kHz	--
Impedenza nominale	4 ohms	4 ohms	4 ohms	4 ohms	4 ohms	4 ohms	--
Sensibilità @ 1 metro	90dB	93dB	93dB	94dB	92dB	92dB	--
Diametro esterno	3-29/32" (99mm)	5-1/8" (130mm)	6-1/2" (166mm)	9-1/4" x 6-1/2" (235mm x 165mm)	5-1/8" (130mm)	6-1/2" (166mm)	1-13/16" (46mm)
Diametro soglia di montaggio	3-15/32" (88mm)	4-3/4" (120mm)	5-5/8" (143mm)	8-23/32" x 5-29/32" (221mm x 150mm)	4-3/4" (120mm)	5-5/8" (143mm)	4-3/4" (120mm)
Profondità totale	2-5/16" (59mm)	2-9/16" (65mm)	2-5/8" (67mm)	3-11/32" (85mm)	2-1/2" (64mm)	2-19/32" (66mm)	27/32" (21mm)
Profondità di montaggio	2" (51mm)	2-9/32" (58mm)	2-5/16" (59mm)	2-31/32" (75mm)	2-9/32" (58mm)	2-5/16" (59mm)	2-9/32" (58mm)

SPECIFIKATIONER

	GT6-4	GT6-5	GT6-6	GT6-69	GT6-5C	GT6-6C	GT6-5C, GT6-6C Diskanthögtalare
Type	4" två-vägs högtalare	5-1/4" två-vägs högtalare	6-1/2" två-vägs högtalare	6" x 9" tre-vägs högtalare	5-1/4" två-vägs komponentssystem	6-1/2" två-vägs komponentssystem	komponent diskanthögtalare
Kontinuerlig märkeffekt	30W	35W	45W	70W	40W	50W	--
Toppeffekt hantering	90W	105W	135W	210W	120W	150W	--
Frekvensområde	75Hz - 20kHz	70Hz - 20kHz	55Hz - 20kHz	40Hz - 20kHz	70Hz - 20kHz	55Hz - 20kHz	--
Nominell impedans	4 ohms	4 ohms	4 ohms	4 ohms	4 ohms	4 ohms	--
Känslighet 2,83V @ 1 meter	90dB	93dB	93dB	94dB	92dB	92dB	--
Yttre diameter	3-29/32" (99mm)	5-1/8" (130mm)	6-1/2" (166mm)	9-1/4" x 6-1/2" (235mm x 165mm)	5-1/8" (130mm)	6-1/2" (166mm)	1-13/16" (46mm)
Montering utskuren diameter	3-15/32" (88mm)	4-3/4" (120mm)	5-5/8" (143mm)	8-23/32" x 5-29/32" (221mm x 150mm)	4-3/4" (120mm)	5-5/8" (143mm)	4-3/4" (120mm)
Totalt djup	2-5/16" (59mm)	2-9/16" (65mm)	2-5/8" (67mm)	3-11/32" (85mm)	2-1/2" (64mm)	2-19/32" (66mm)	27/32" (21mm)
Monteringsdjup	2" (51mm)	2-9/32" (58mm)	2-5/16" (59mm)	2-31/32" (75mm)	2-9/32" (58mm)	2-5/16" (59mm)	2-9/32" (58mm)

SPECIFIKATIONER

	GT6-4	GT6-5	GT6-6	GT6-69	GT6-5C	GT6-6C	GT6-5C, GT6-6C Tweeter
Type	4" tvåvägs högtalare	5-1/4" tvåvägs högtalare	6-1/2" tvåvägs högtalare	6" x 9" trevägs högtalare	5-1/4" tvåvägs komponentssystem	6-1/2" tvåvägs komponentssystem	komponent-tweeter
Kontinuerlig strömstyring	30W	35W	45W	70W	40W	50W	--
Spidsbelastning-strömstyring	90W	105W	135W	210W	120W	150W	--
Frekvensang	75Hz - 20kHz	70Hz - 20kHz	55Hz - 20kHz	40Hz - 20kHz	70Hz - 20kHz	55Hz - 20kHz	--
Nominal imped							