



PHONES

(044) 360-7-130
(050) 336-0-130
(063) 788-0-130
(067) 233-0-130
(068) 282-0-130

130 Internet store of autogoods

COM.UA



ICQ
294-0-130
597-0-130

SKYPE
km-130

CAR RECEIVERS — Receivers • Media receivers and stations • Native receivers • CD/DVD changers • FM-modulators/USB adapters • Flash memory • Facia plates and adapters • Antennas • Accessories |
CAR AUDIO — Car audio speakers • Amplifiers • Subwoofers • Processors • Crossovers • Headphones • Accessories | TRIP COMPUTERS — Universal computers • Model computers • Accessories |
GPS NAVIGATORS — Portable GPS • Built-in GPS • GPS modules • GPS trackers • Antennas for GPS navigators • Accessories | VIDEO — DVR • TV sets and monitors • Car TV tuners • Cameras • Videomodules
• Transcoders • Car TV antennas • Accessories | SECURITY SYSTEMS — Car alarms • Bike alarms • Mechanical blockers • Immobilizers • Sensors • Accessories | OPTIC AND LIGHT — Xenon • Bixenon • Lamps
• LED • Stroboscopes • Optic and Headlights • Washers • Light, rain sensors • Accessories | PARKTRONICS AND MIRRORS — Rear parktronic • Front parktronic • Combined parktronic • Rear-view mirrors
• Accessories | HEATING AND COOLING — Seat heaters • Mirrors heaters • Screen-wipers heaters • Engine heaters • Auto-refrigerators • Air conditioning units • Accessories | TUNING — Vibro-isolation
• Noise-isolation • Tint films • Accessories | ACCESSORIES — Radar-detectors • Handsfree, Bluetooth • Windowlifters • Compressors • Beeps, loudspeakers • Measuring instruments • Cleaners • Carsits
• Miscellaneous | MOUNTING — Installation kits • Upholstery • Grilles • Tubes • Cable and wire • Tools • Miscellaneous | POWER — Batteries • Converters • Start-charging equipment • Capacitors
• Accessories | MARINE AUDIO AND ELECTRONICS — Marine receivers • Marine audio speakers • Marine subwoofers • Marine amplifiers • Accessories | CAR CARE PRODUCTS — Additives • Washer fluid •
Care accessories • Car polish • Flavors • Adhesives and sealants | LIQUID AND OIL — Motor oil • Transmission oil • Brake fluid • Antifreeze • Technical lubricant



In store "130" you can find and buy almost all necessary goods for your auto in Kyiv and other cities, delivery by ground and postal services. Our experienced consultants will provide you with exhaustive information and help you to chose the very particular thing. We are waiting for you at the address

<http://130.com.ua>

THESIS



TH uno

TECHNICAL SPECIFICATIONS

POWER SUPPLY

Voltage:	11 ÷ 15 VDC
Idling current:	2 A
Idling current when off:	0.04 mA
Consumption @ 14.4 VDC (Max Musical Power):	190 A
Remote In:	7 ÷ 15 VDC (1 mA)
Remote Out :	12 VDC (50 mA)
Fuse (AFS):	150 A

AMPLIFIER STAGE

Distortion - THD (1kHz @ 4 W):	0.06 %
Bandwidth (-3 dB):	5 ÷ 80k Hz
S/N ratio (weighted A @ 1 V):	106 dBA
Damping factor (1 kHz@4Ω):	300
Pre-In sensitivity:	0.3 ÷ 5.0 VRMS
Pre-In impedance:	15 kΩ
Load impedance (MIN):	

• 1 Ch	1 Ω
OUTPUT POWER (RMS) @ 14.4 VDC, THD 1%:	
• 1 Ch x 4 Ω	880 W x 1
• 1 Ch x 2 Ω	1550 W x 1
• 1 Ch x 1 Ω	2020 W x 1

MASTER / SLAVE CONFIGURATION

Output power (RMS) @ 14.4 VDC; THD 1%	
• 1 Ch x 4 Ω	3100 W x 1

• 1 Ch x 2 Ω	4040 W x 1
Inputs / Outputs	Chain IN / Chain OUT

CEA SPECIFICATIONS

Output power @ 4 Ω, ≤ 1% THD+N, 14.4 Volts:	700 W x 1 Ch
SN ratio (ref. 1 W output):	85 dBA

ASC (Audison Status Controller) FUNCTIONS

AMP IDentifications, DUAL POWER settings, ADLink inputs, ACLink digital bass, DRC controls, ACNet software, Status Display, Protections

INPUTS/OUTPUTS

Input: PRE / SP-DIF OPTICAL (192 kHz - 24 bit) / ADLink	
Output:	PRE Bypass / ADLink

FILTERS

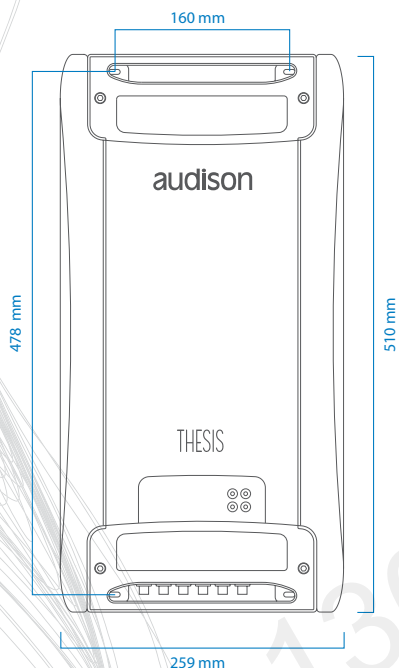
Filters:	Removable module: (Hi-pass / Lo-pass / Band-pass 12 - 24dB) 32 steps 18 ÷ 7.5k Hz
Amp Chain Mode:	PRE IN / OUT

SIZE

BxLxH (mm/inches)	259 x 67 x 510
	10 ^{n1/4} x 2 ^{n11/16} x 20 ^{n1/8}
Weight (kg/lb):	10,3 kg / 22.71 lb



AMPLIFIER TH uno



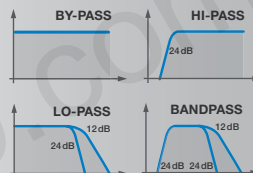
CROSSOVER MODULES

IDEM	VALUES
SS1:	18-22-27-33 Hz
SW1:	42-50-60-75 Hz
SW2:	90-110-130-150 Hz
WM1:	180-220-270-330 Hz
WM2:	420-500-600-750 Hz
WT1:	880-1k1-1k3-1k5 Hz
WT2:	1k8-2k2-2k7-3k3 Hz
MT1:	4k2-5k0-6k0-7k5 Hz

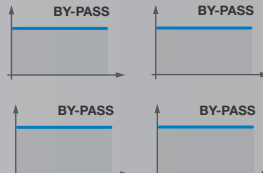
DUAL POWER SETTINGS

SET	BIAS	POWER	MIN LOAD
A-Class	Very High	Normal	4Ω
Hi-AB Class	High	High	4Ω
Hi-Current	Standard	High	4-2-1Ω
Energy Saving	Low	Normal	4-2-1Ω

AMP

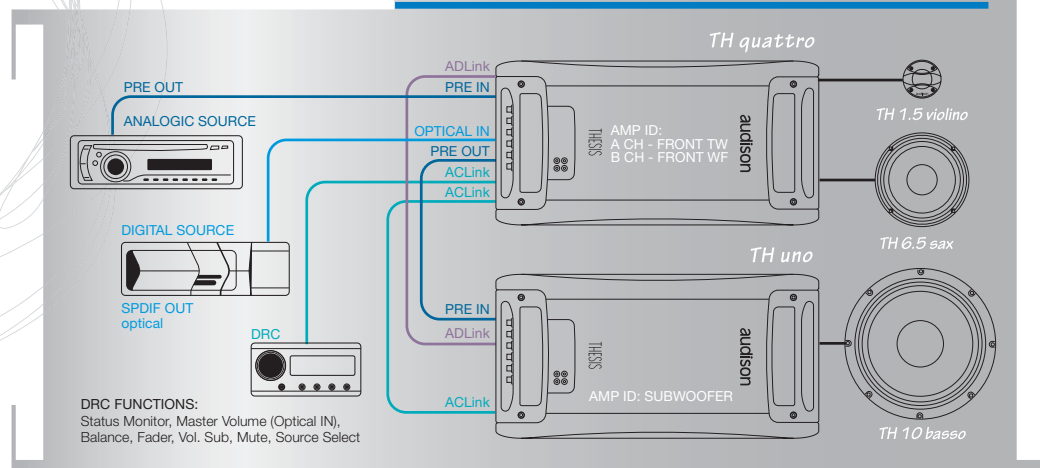


PRE OUT



SYSTEM DESIGN EXAMPLE

2 WAY FRONT + SUBWOOFER INPUTS ANALOG + DIGITAL



audison

THESIS



TH due

TECHNICAL SPECIFICATIONS

POWER SUPPLY

Voltage:	11 ÷ 15 VDC
Idling current:	2.5 A
Idling current when off:	0.04 mA
Consumption @ 14.4 VDC (Max Musical Power):	105 A
Remote In:	7 ÷ 15 VDC (1 mA)
Remote Out :	12 VDC (50 mA)
Fuse (AFS):	100 A

AMPLIFIER STAGE

Distortion - THD (1kHz@4Ω):	0.06 %
Bandwidth (-3 dB):	5 ÷ 80k Hz
S/N ratio (weighted A @1 V):	106 dBA
Damping factor (1 kHz@4Ω):	120
Pre-In sensitivity:	0.3 ÷ 5.0 VRMS
Pre-In impedance:	15 kΩ
Load impedance (MIN):	1 Ω

OUTPUT POWER (RMS) @ 14.4 VDC, THD 1%:	
• 2 Ch x 4 Ω	310 W x 2
• 2 Ch x 2 Ω	520 W x 2

• 2 Ch x 1 Ω	670 W x 1
• 1 Ch x 4 Ω	1040 W x 1
• 1 Ch x 2 Ω	1340 W x 1

CEA SPECIFICATIONS

Output power @ 4 Ω , ≤ 1% THD+N, 14.4 Volts:	250 W x 2 Ch
SN ratio (ref. 1 W output):	85 dBA

ASC (Audison Status Controller) FUNCTIONS

AMP IDentifications, DUAL POWER settings, ADLink inputs, ACLink digital bass, DRC controls, ACNet software, Status Display, Protections

INPUTS/OUTPUTS

Input: PRE / SP-DIF OPTICAL (192 kHz - 24 bit) / ADLink
Output: PRE Bypass / ADLink

FILTERS

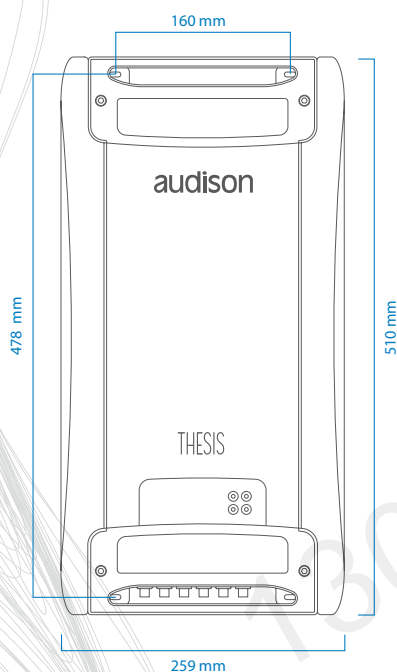
Filters: Removable module: (Hi-pass / Lo-pass / Band-pass 12 - 24dB) 32 steps 18 ÷ 7.5k Hz

SIZE

BxLxH (mm/inches)
259 x 67 x 510 / 10^{n1/4} x 2^{n11/16} x 20^{n1/8}
Weight (kg/lb): 10,3 kg / 22.71 lb

audison

AMPLIFIER TH due



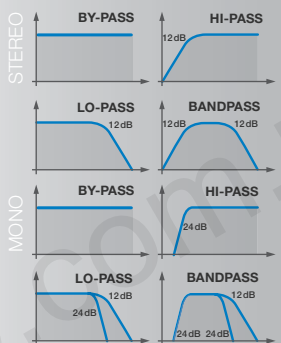
CROSSOVER MODULES

IDEM	VALUES
SS1:	18-22-27-33 Hz
SW1:	42-50-60-75 Hz
SW2:	90-110-130-150 Hz
WM1:	180-220-270-330 Hz
WM2:	420-500-600-750 Hz
WT1:	880-1k1-1k3-1k5 Hz
WT2:	1k8-2k2-2k7-3k3 Hz
MT1:	4k2-5k0-6k0-7k5 Hz

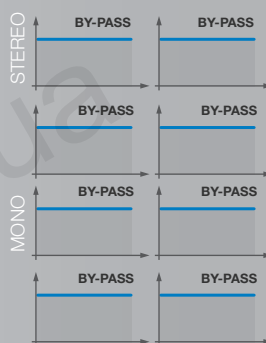
DUAL POWER SETTINGS

SET	BIAS	POWER	MIN LOAD
A-Class	Very High	Normal	4Ω
Hi-AB Class	High	High	4Ω
Hi-Current	Standard	High	4-2-1Ω
Energy Saving	Low	Normal	4-2-1Ω

AMP

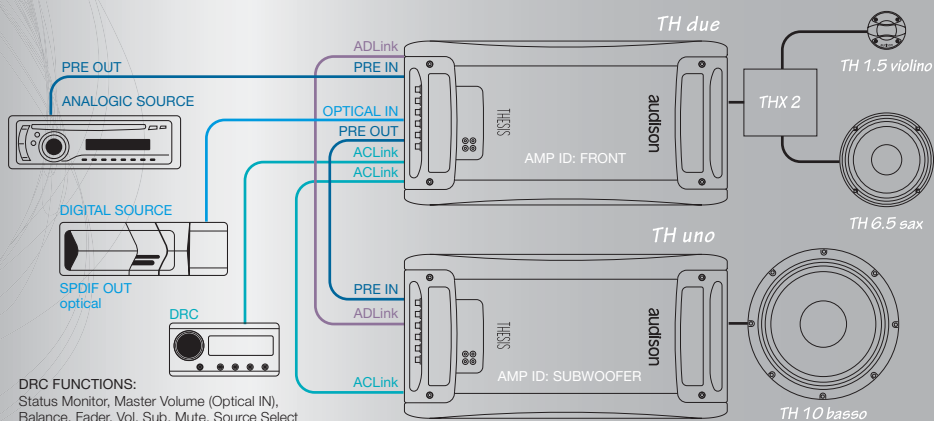


PRE OUT



SYSTEM DESIGN EXAMPLE

2 WAY FRONT + SUBWOOFER INPUTS ANALOG + DIGITAL



audison

THESIS



TH quattro

TECHNICAL SPECIFICATIONS

POWER SUPPLY

Voltage:	11 ÷ 15 VDC
Idling current:	2.6 A
Idling current when off:	0.04 mA
Consumption @ 14.4 VDC (Max Musical Power):	105 A
Remote In:	7 ÷ 15 VDC (1 mA)
Remote Out :	12 VDC (50 mA)
Fuse (AFS):	100 A

AMPLIFIER STAGE

Distortion - THD (1kHz @ 4 Ω):	0.06 %
Bandwidth (-3 dB):	5 ÷ 80k Hz
S/N ratio (weighted A @1 V):	106 dBA
Damping factor (1 kHz@4Ω):	110
Pre-In sensitivity:	0.3 ÷ 5.0 VRMS
Pre-In impedance:	15 kΩ
Load impedance (MIN):	

• 2 Ch	1 Ω
OUTPUT POWER (RMS) @ 14.4 VDC, THD 1%:	
• 4 Ch x 4 Ω	190 W x 4
• 4 Ch x 2 Ω	290 W x 4
• 4 Ch x 1 Ω	380 W x 4
• 3 Ch x 4 Ω	190 W x 2 + 580 W x 1

• 3 Ch x 2 Ω	290 W x 2 + 760 W x 1
• 2 Ch x 4 Ω	580 W x 2
• 2 Ch x 2 Ω	760 W x 2

CEA SPECIFICATIONS

Output power @ 4 Ω, ≤ 1% THD+N, 14.4 Volts:	150 W x 4 Ch
SN ratio (ref. 1 W output):	85 dBA

ASC (Audison Status Controller) FUNCTIONS

AMP IDentifications, DUAL POWER settings, ADLink inputs, ACLink digital bass, DRC controls, ACNet software, Status Display, Protections

INPUTS/OUTPUTS

Input: PRE / SP-DIF OPTICAL (192 kHz - 24 bit) / ADLink
Output: PRE Bypass / ADLink

FILTERS

Filters: Removable module: (Hi-pass / Lo-pass / Band-pass 12 - 24dB) 32 steps 18 ÷ 7.5k Hz

SIZE

BxLxH (mm/inches)
259 x 67 x 510 / 10^{m1/4} x 2^{m11/16} x 20^{m1/8}
Weight (kg/lb): 10,3 kg / 22.71 lb

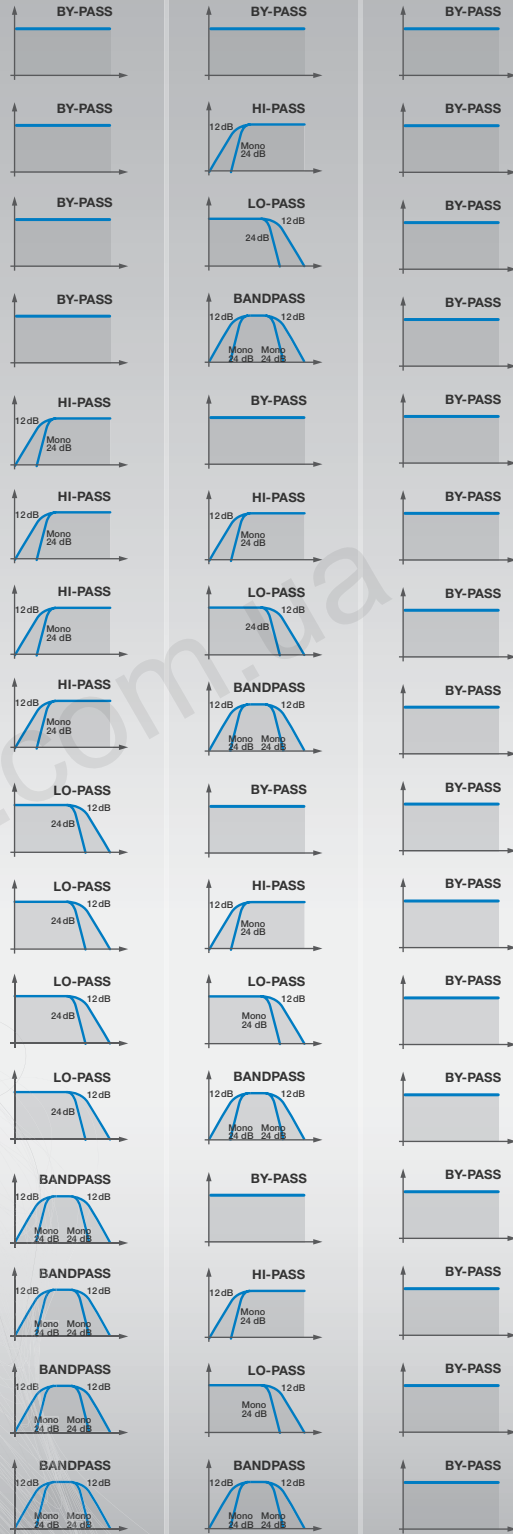
audison

AMPLIFIER TH quattro

A CH AMP

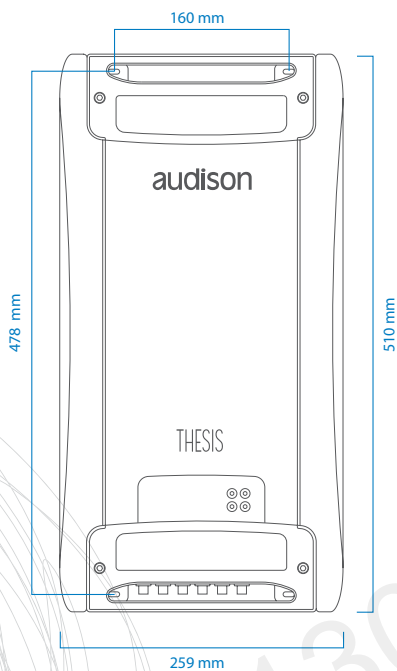
B CH AMP

PRE OUT



audison

AMPLIFIER TH quattro



CROSSOVER MODULES

IDEM	VALUES
SS1:	18-22-27-33 Hz
SW1:	42-50-60-75 Hz
SW2:	90-110-130-150 Hz
WM1:	180-220-270-330 Hz
WM2:	420-500-600-750 Hz
WT1:	880-1k1-1k3-1k5 Hz
WT2:	1k8-2k2-2k7-3k3 Hz
MT1:	4k2-5k0-6k0-7k5 Hz

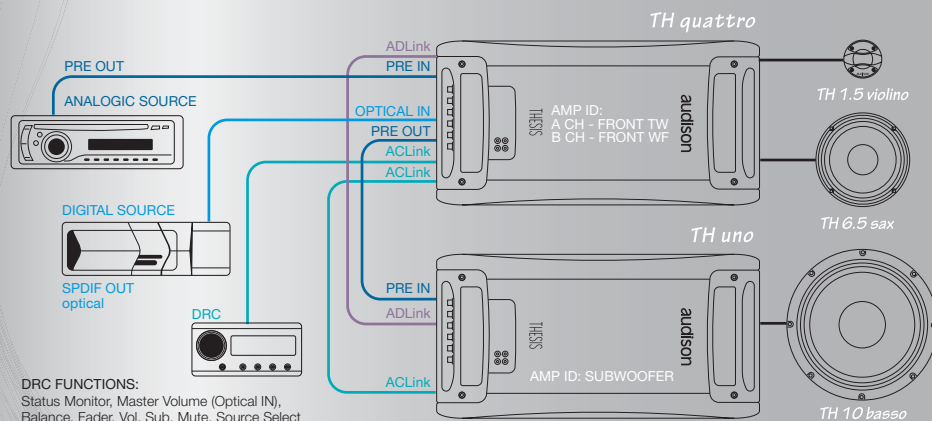
DUAL POWER SETTINGS

A CH AMP	B CH AMP
A-Class	A-Class
Energy Saving	Energy Saving
Hi-Bias	Hi-Bias
Hi-Bias	Hi-Power
Hi-Power	Hi-Bias
Hi-Power	Hi-Power

SET	BIAS	POWER	MIN LOAD
A-Class	Very High	Normal	4Ω
Hi-AB Class	High	High	4Ω
Hi-Current	Standard	High	4-2-1Ω
Energy Saving	Low	Normal	4-2-1Ω

SYSTEM DESIGN EXAMPLE

2 WAY FRONT + SUBWOOFER INPUTS ANALOG + DIGITAL



audison

THESIS



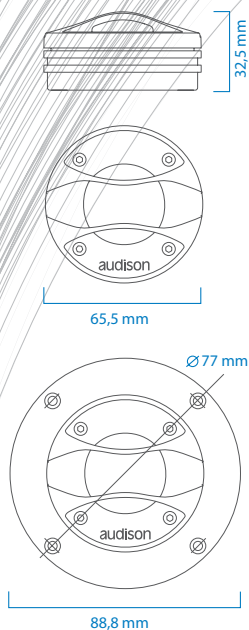
TWEETER TH 1.5 violino

TECHNICAL SPECIFICATIONS

Component	Tweeter	
Size	mm	34 (1 ^{1/2})
Power Handling	peak	180 W
	cont. program	180W@1.8Hz-12dB Oct.
Impedance	Ω	8
Frequency response	Hz	1k - 22k
Sensitivity	dB/SPL	94
Outer diameter	mm	65,5
Mounting hole diameter	mm	60
Magnet size	mm	60
Total depth	mm	32,5
Mounting depth	mm	14,5
Weight of one component	kg	0,33
Voice coil diameter	mm	34
Magnet		Neodimium REN [®]
Dome		Tetolon Fiber [®]

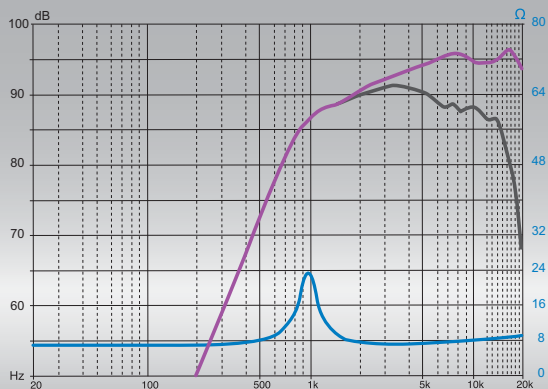
audison

TWEETER TH 1,5 violino



ELECTRO-ACOUSTIC PARAMETERS

D	mm	35
Re	Ω	6
Fs	Hz	980
Le	mH@1kHz	3,43
Le	mH@10kHz	0,07
Vas	l	0,01
Mms	g	0,51
Cms	mm/N	0,052
BL	T-m	3,61
Qts		1,06
Qes		1,45
Qms		3,9
Spl (1m/2,83V)	dB	94



audison

THESIS



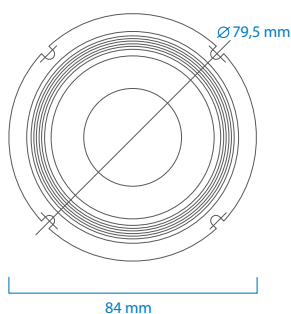
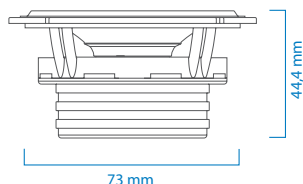
MIDRANGE TH 3.0 voce

TECHNICAL SPECIFICATIONS

Component		Cone Midrange
Size	mm	80 (3")
Power Handling	peak	100 W
	cont. program	50 W
Impedance	Ω	8
Frequency response	Hz	200 - 8k
Sensitivity	dB/SPL	86
Outer diameter	mm	84
Mounting hole diameter	mm	73
Magnet size	mm	45
Total depth	mm	44,4
Mounting depth	mm	36
Weight of one component	kg	0,265
Voice coil diameter	mm	25
Grille		Included
Magnet		Neodimium REN®
Cone		X-pulp® + Polycrystal®
Surround		TWR®

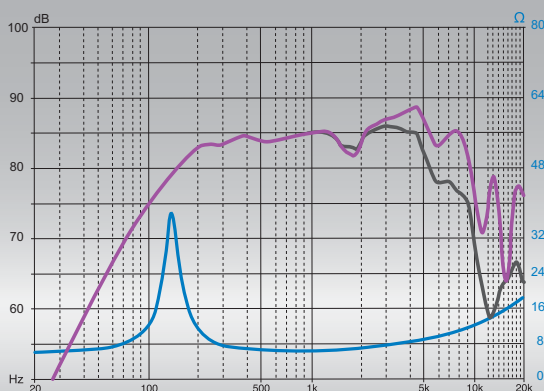
audison

MIDRANGE TH 3.0 voce



ELECTRO-ACOUSTIC PARAMETERS

D	mm	65
Xmax	mm	1,5
Re	Ω	5,2
Fs	Hz	150
Le	mH@1kHz	0,51
Le	mH@10kHz	0,17
Vas	l	0,51
Mms	g	3,35
Cms	mm/N	0,33
BL	T-m	4,51
Qts		0,70
Qes		0,81
Qms		5,30
Spl (1m/2,83V)	dB	86



audison

THESIS



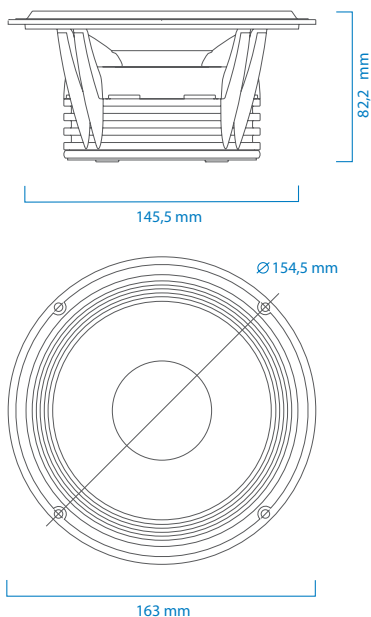
WOOFER TH 6.5 sax

TECHNICAL SPECIFICATIONS

Component		Woofer
Size	mm	165 (6 ^{1/2})
Power Handling	peak	300 W
	cont. program	150 W
Impedance	Ω	6
Frequency response	Hz	35 - 4k
Sensitivity	dB/SPL	91
Outer diameter	mm	163
Mounting hole diameter	mm	145,5
Magnet size	mm	90
Total depth	mm	82,2
Mounting depth	mm	71,5
Weight of one component	kg	1,51
Voice coil diameter	mm	40
Grille		Included
Magnet		Neodimium REN [®]
Cone		X-pulp [®] + Polycrystal [®]
Surround		TWR [®]

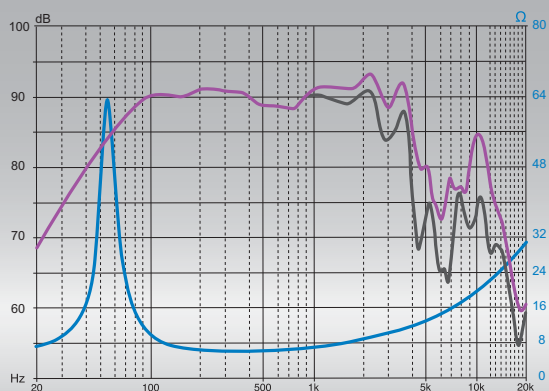
audison

WOOFER TH 6.5 sax



ELECTRO-ACOUSTIC PARAMETERS

D	mm	129
Xmax	mm	5
Re	Ω	4,5
Fs	Hz	57
Le	mH@1kHz	0,78
Le	mH@10kHz	0,3
Vas	l	10,82
Mms	g	17,63
Cms	mm/N	0,45
BL	T-m	7,96
Qts		0,41
Qes		0,44
Qms		6,37
Spl (1m/2,83V)	dB	91



audison

THESIS

SUBWOOFER TH 10 basso

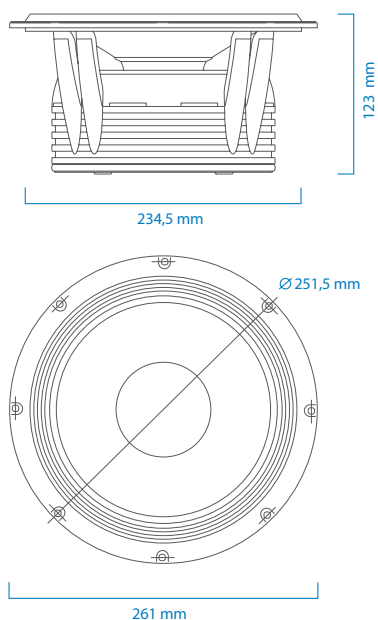
TECHNICAL SPECIFICATIONS

Component		Subwoofer
Size	mm	10 (10")
Power Handling	peak	1000 W
	cont. program	500 W
Impedance	Ω	4
Frequency response	Hz	30 - 500
Sensitivity	dB/SPL	92
Outer diameter	mm	261
Mounting hole diameter	mm	234,5
Magnet size	mm	170
Total depth	mm	139
Mounting depth	mm	123
Total driver displacement	l	2,6
Weight of one component	kg	7,96
Voice coil diameter	mm	65
Grille		Included
Magnet		High density flux ferrite
Cone		X-pulp® + Polycrystal®
Surround		TWR®
Xmech*	mm	18

Xmech* maximum mechanic excursion: it indicates the motion range in the speaker linear functioning area, in both ways.

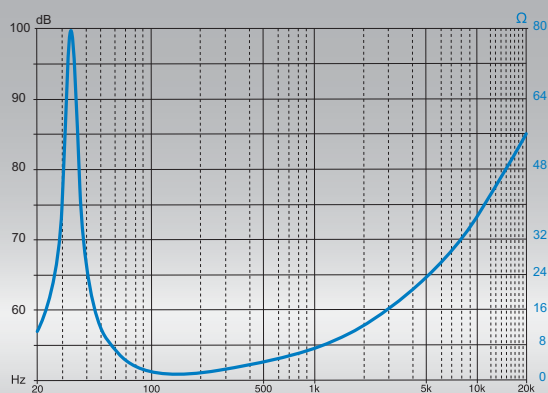
audison

SUBWOOFER TH 10 basso



ELECTRO-ACOUSTIC PARAMETERS

D	mm	215
Xmax	mm	10
Re	Ω	3,5
Fs	Hz	34
Le	mH@1kHz	1,57
Le	mH@10kHz	0,61
Vas	l	49,00
Mms	g	84,00
Cms	mm/N	0,26
BL	T-m	15,10
Qts		0,27
Qes		0,28
Qms		4,80
Spl (1m/2,83V)	dB	92



audison

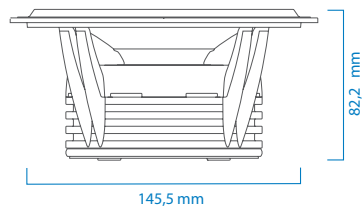
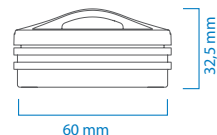
THESIS

SYSTEM TH K2 coro



TECHNICAL SPECIFICATIONS

Component		2 way System
Size (mm)	TH 6.5 woofer TH 1.5 tweeter	165 (6 ^{1/2}) 34 (1 ^{1/2})
Power Handling	peak cont. program	350 W 175 W
Impedance	Ω	6
Frequency response	Hz	35-22k
Sensitivity	dB/SPL	91
Crossover included		No
Grille included		Yes
Outer diameter (mm)	Woofer Tweeter	163 65,5
Mounting hole diameter (mm)	Woofer Tweeter	145,5 60
Magnet size (mm)	Woofer Tweeter	90 60
Total depth (mm)	Woofer Tweeter	82,2 32,5
Mounting depth (mm)	Woofer Tweeter	71,5 14,5
Weight of one component (kg)	Woofer Tweeter	1,51 0,33
Voice coil diameter (mm)	Woofer Tweeter	40 34
Magnet		Neodymium REN®
Cone/Dome	Woofer Tweeter	X-pulp® + Polycrystal® Tetolon fiber®



audison

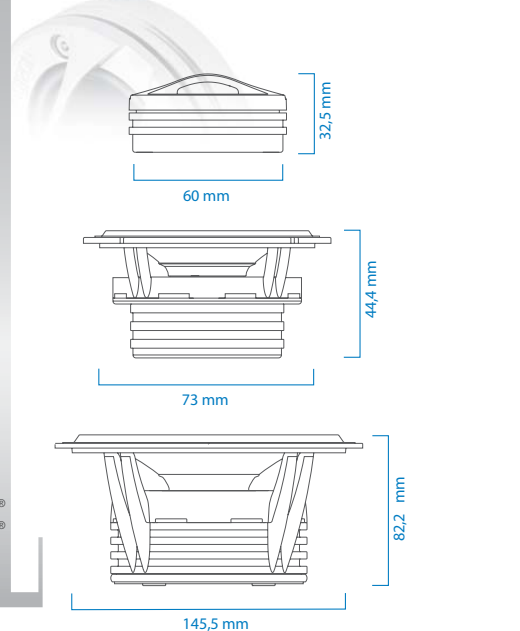
THESIS

SYSTEM TH K3 orchestra



TECHNICAL SPECIFICATIONS

Component Size (mm)	TH 6.5 woofer TH 3.0 midrange TH 1.5 tweeter	3 way System 165 (6 ^{1/2}) 80 (3 ^{1/2}) 34 (1 ^{1/2})
Power Handling	peak cont. program	400 W 200 W
Impedance	Ω	6
Frequency response	Hz	35-22k
Sensitivity	dB/SPL	91
Crossover included		No
Grille included		Yes
Outer diameter (mm)	Woofer Midrange Tweeter	163 84 65,5
Mounting hole diameter (mm)	Woofer Midrange Tweeter	145,5 73 60
Magnet size (mm)	Woofer Midrange Tweeter	90 45 60
Total depth (mm)	Woofer Midrange Tweeter	82,2 44,4 32,5
Mounting depth (mm)	Woofer Midrange Tweeter	71,5 36 14,5
Weight of one component (kg)	Woofer Midrange Tweeter	1,51 0,265 0,33
Voice coil diameter (mm)	Woofer Midrange Tweeter	40 25 34
Magnet Cone/Dome	Woofer Midrange Tweeter	Neodymium REN® X-pulp® + Polycrystal® X-pulp® + Polycrystal® Tetolon fiber®



audison