



PHONES

0 (800) 800 130  
(050) 462 0 130  
(063) 462 0 130  
(067) 462 0 130

130  
COM.UA

Internet store of  
autogoods



SKYPE

km-130

CAR RECEIVERS — Receivers • Media receivers and stations • Native receivers • CD/DVD changers • FM-modulators/USB adapters • Flash memory • Facia plates and adapters • Antennas • Accessories |  
CAR AUDIO — Car audio speakers • Amplifiers • Subwoofers • Processors • Crossovers • Headphones • Accessories | TRIP COMPUTERS — Universal computers • Model computers • Accessories |  
GPS NAVIGATORS — Portable GPS • Built-in GPS • GPS modules • GPS trackers • Antennas for GPS navigators • Accessories | VIDEO — DVR • TV sets and monitors • Car TV tuners • Cameras • Videomodules  
• Transcoders • Car TV antennas • Accessories | SECURITY SYSTEMS — Car alarms • Bike alarms • Mechanical blockers • Immobilizers • Sensors • Accessories | OPTIC AND LIGHT — Xenon • Bixenon • Lamps  
• LED • Stroboscopes • Optic and Headlights • Washers • Light, rain sensors • Accessories | PARKTRONICS AND MIRRORS — Rear parktronic • Front parktronic • Combined parktronic • Rear-view mirrors  
• Accessories | HEATING AND COOLING — Seat heaters • Mirrors heaters • Screen-wipers heaters • Engine heaters • Auto-refrigerators • Air conditioning units • Accessories | TUNING — Vibro-isolation  
• Noise-isolation • Tint films • Accessories | ACCESSORIES — Radar-detectors • Handsfree, Bluetooth • Windowlifters • Compressors • Beeps, loudspeakers • Measuring instruments • Cleaners • Car seats  
• Miscellaneous | MOUNTING — Installation kits • Upholstery • Grilles • Tubes • Cable and wire • Tools • Miscellaneous | POWER — Batteries • Converters • Start-charging equipment • Capacitors  
• Accessories | MARINE AUDIO AND ELECTRONICS — Marine receivers • Marine audio speakers • Marine subwoofers • Marine amplifiers • Accessories | CAR CARE PRODUCTS — Additives • Washer fluid •  
Care accessories • Car polish • Flavors • Adhesives and sealants | LIQUID AND OIL — Motor oil • Transmission oil • Brake fluid • Antifreeze • Technical lubricant



In store "130" you can find and buy almost all necessary goods for your auto in Kyiv and other cities, delivery by ground and postal services. Our experienced consultants will provide you with exhaustive information and help you to choose the very particular thing. We are waiting for you at the address

<https://130.com.ua>



**IXO**

**Robert Bosch Power Tools GmbH**  
70538 Stuttgart  
GERMANY

[www.bosch-pt.com](http://www.bosch-pt.com)

**1 609 92A 5RW** (2020.05) AS / 48



**1 609 92A 5RW**

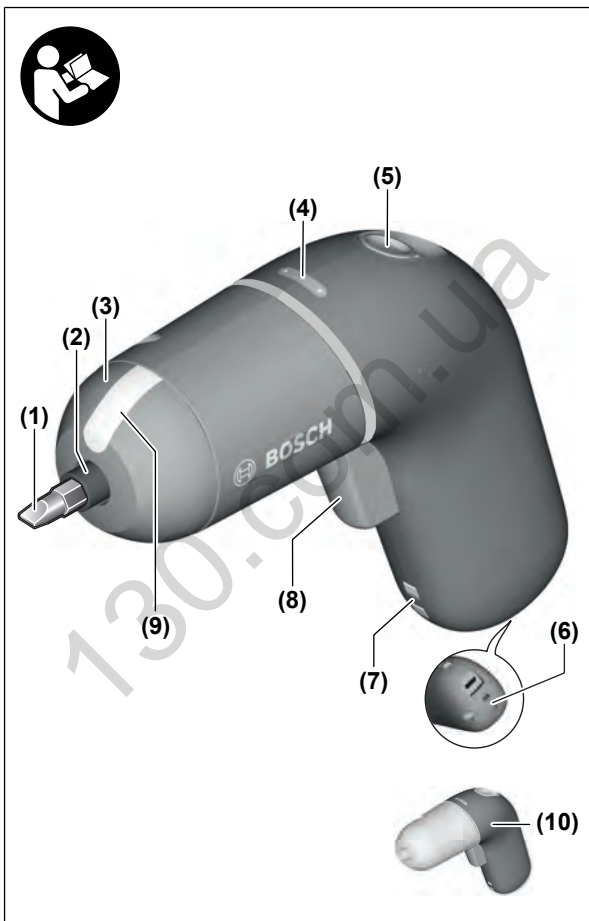


**en** Original instructions  
**ko** 사용 설명서 원본  
**ar** دليل التشغيل الأصلي

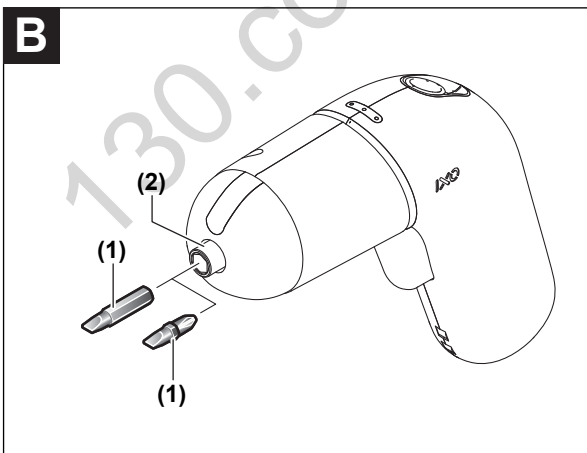
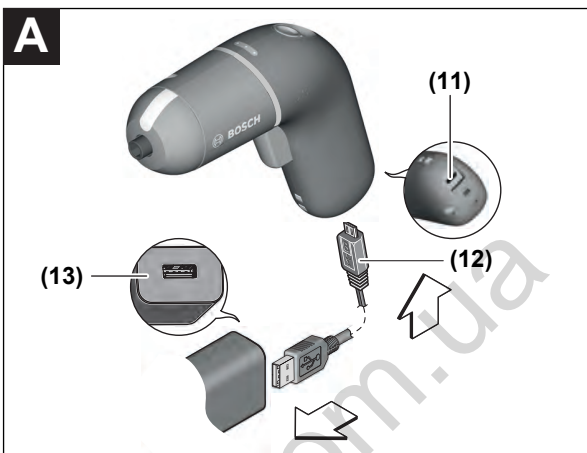


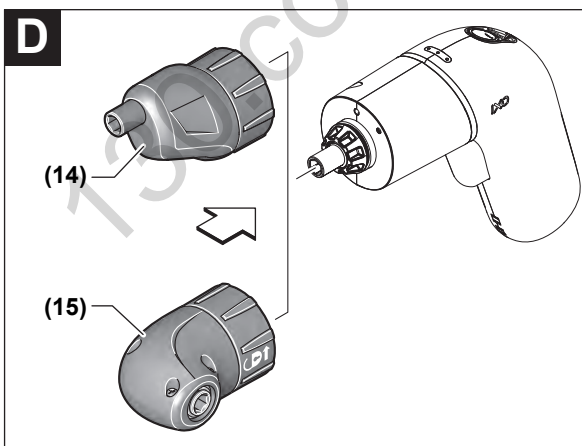
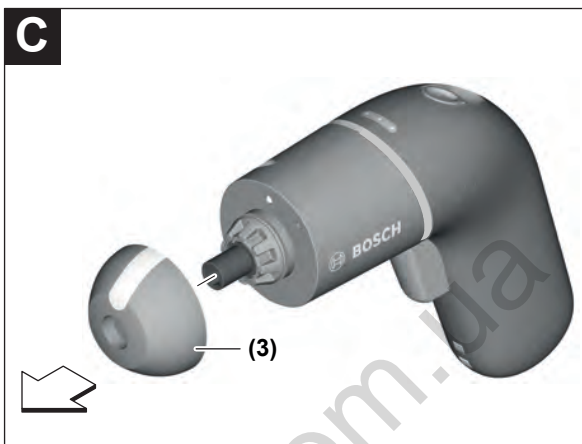
English .....	Page	7
한국어 .....	페이지	22
عربي .....	الصفحة	35

130.com.ua



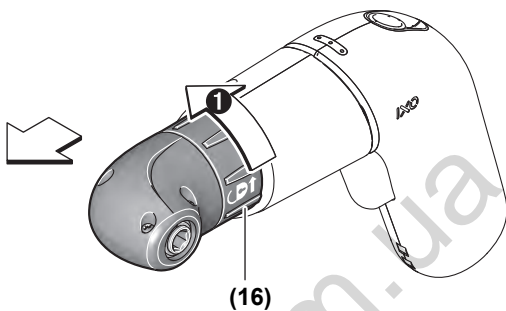
4 |



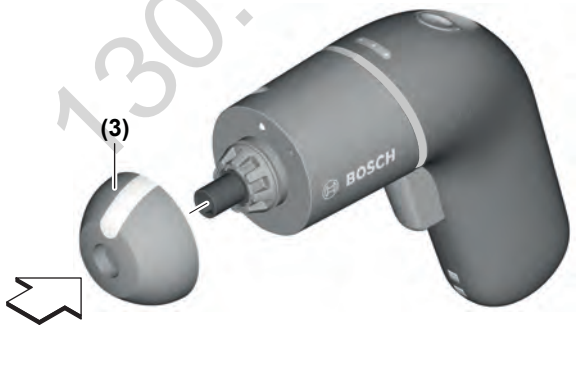


6 |

**E**



**F**



# English

## Safety instructions

### General Power Tool Safety Warnings

**⚠ WARNING** **Read all safety warnings, instructions, illustrations and specifications provided with this power tool.** Failure to follow all instructions listed below may result in electric shock, fire and/or serious injury.

**Save all warnings and instructions for future reference.**

The term "power tool" in the warnings refers to your mains-operated (corded) power tool or battery-operated (cordless) power tool.

#### Work area safety

- ▶ **Keep work area clean and well lit.** Cluttered or dark areas invite accidents.
- ▶ **Do not operate power tools in explosive atmospheres, such as in the presence of flammable liquids, gases or dust.** Power tools create sparks which may ignite the dust or fumes.
- ▶ **Keep children and bystanders away while operating a power tool.** Distractions can cause you to lose control.

#### Electrical safety

- ▶ **Power tool plugs must match the outlet. Never modify the plug in any way. Do not use any adapter plugs with earthed (grounded) power tools.** Unmodified plugs and matching outlets will reduce risk of electric shock.
- ▶ **Avoid body contact with earthed or grounded surfaces, such as pipes, radiators, ranges and refrigerators.** There is an increased risk of electric shock if your body is earthed or grounded.
- ▶ **Do not expose power tools to rain or wet conditions.** Water entering a power tool will increase the risk of electric shock.
- ▶ **Do not abuse the cord. Never use the cord for carrying, pulling or unplugging the power tool. Keep cord away from heat, oil, sharp edges or moving parts.** Damaged or entangled cords increase the risk of electric shock.



- ▶ **When operating a power tool outdoors, use an extension cord suitable for outdoor use.** Use of a cord suitable for outdoor use reduces the risk of electric shock.
- ▶ **If operating a power tool in a damp location is unavoidable, use a residual current device (RCD) protected supply.** Use of an RCD reduces the risk of electric shock.

### Personal safety

- ▶ **Stay alert, watch what you are doing and use common sense when operating a power tool. Do not use a power tool while you are tired or under the influence of drugs, alcohol or medication.** A moment of inattention while operating power tools may result in serious personal injury.
- ▶ **Use personal protective equipment. Always wear eye protection.** Protective equipment such as a dust mask, non-skid safety shoes, hard hat or hearing protection used for appropriate conditions will reduce personal injuries.
- ▶ **Prevent unintentional starting. Ensure the switch is in the off-position before connecting to power source and/or battery pack, picking up or carrying the tool.** Carrying power tools with your finger on the switch or energising power tools that have the switch on invites accidents.
- ▶ **Remove any adjusting key or wrench before turning the power tool on.** A wrench or a key left attached to a rotating part of the power tool may result in personal injury.
- ▶ **Do not overreach. Keep proper footing and balance at all times.** This enables better control of the power tool in unexpected situations.
- ▶ **Dress properly. Do not wear loose clothing or jewellery. Keep your hair and clothing away from moving parts.** Loose clothes, jewellery or long hair can be caught in moving parts.
- ▶ **If devices are provided for the connection of dust extraction and collection facilities, ensure these are connected and properly used.** Use of dust collection can reduce dust-related hazards.
- ▶ **Do not let familiarity gained from frequent use of tools allow you to become complacent and ignore tool safety principles.** A careless action can cause severe injury within a fraction of a second.

### Power tool use and care

- ▶ **Do not force the power tool. Use the correct power tool for your application.** The correct power tool will do the job better and safer at the rate for which it was designed.
- ▶ **Do not use the power tool if the switch does not turn it on and off.** Any power tool that cannot be controlled with the switch is dangerous and must be repaired.
- ▶ **Disconnect the plug from the power source and/or remove the battery pack, if detachable, from the power tool before making any adjustments, changing accessories, or storing power tools.** Such preventive safety measures reduce the risk of starting the power tool accidentally.
- ▶ **Store idle power tools out of the reach of children and do not allow persons unfamiliar with the power tool or these instructions to operate the power tool.** Power tools are dangerous in the hands of untrained users.
- ▶ **Maintain power tools and accessories. Check for misalignment or binding of moving parts, breakage of parts and any other condition that may affect the power tool's operation. If damaged, have the power tool repaired before use.** Many accidents are caused by poorly maintained power tools.
- ▶ **Keep cutting tools sharp and clean.** Properly maintained cutting tools with sharp cutting edges are less likely to bind and are easier to control.
- ▶ **Use the power tool, accessories and tool bits etc. in accordance with these instructions, taking into account the working conditions and the work to be performed.** Use of the power tool for operations different from those intended could result in a hazardous situation.
- ▶ **Keep handles and grasping surfaces dry, clean and free from oil and grease.** Slippery handles and grasping surfaces do not allow for safe handling and control of the tool in unexpected situations.

### Battery tool use and care

- ▶ **Recharge only with the charger specified by the manufacturer.** A charger that is suitable for one type of battery pack may create a risk of fire when used with another battery pack.
- ▶ **Use power tools only with specifically designated battery packs.** Use of any other battery packs may create a risk of injury and fire.

- ▶ **When battery pack is not in use, keep it away from other metal objects, like paper clips, coins, keys, nails, screws or other small metal objects, that can make a connection from one terminal to another.** Shorting the battery terminals together may cause burns or a fire.
- ▶ **Under abusive conditions, liquid may be ejected from the battery; avoid contact. If contact accidentally occurs, flush with water. If liquid contacts eyes, additionally seek medical help.** Liquid ejected from the battery may cause irritation or burns.
- ▶ **Do not use a battery pack or tool that is damaged or modified.** Damaged or modified batteries may exhibit unpredictable behaviour resulting in fire, explosion or risk of injury.
- ▶ **Do not expose a battery pack or tool to fire or excessive temperature.** Exposure to fire or temperature above 130°C may cause explosion.
- ▶ **Follow all charging instructions and do not charge the battery pack or tool outside the temperature range specified in the instructions.** Charging improperly or at temperatures outside the specified range may damage the battery and increase the risk of fire.

### Service

- ▶ **Have your power tool serviced by a qualified repair person using only identical replacement parts.** This will ensure that the safety of the power tool is maintained.
- ▶ **Never service damaged battery packs.** Service of battery packs should only be performed by the manufacturer or authorized service providers.

### Safety Warnings for Screwdrivers

- ▶ **Hold the power tool by insulated gripping surfaces, when performing an operation where the fastener may contact hidden wiring.** Fasteners contacting a "live" wire may make exposed metal parts of the power tool "live" and could give the operator an electric shock.
- ▶ **Use suitable detectors to determine if there are hidden supply lines or contact the local utility company for assistance.** Contact with electric cables can cause fire and electric shock. Damaging gas lines can lead to explosion. Breaking water pipes causes property damage.
- ▶ **Hold the power tool securely.** When tightening and loosening screws be prepared for temporarily high torque reactions.

- ▶ **Secure the workpiece.** A workpiece clamped with clamping devices or in a vice is held more secure than by hand.
- ▶ **Always wait until the power tool has come to a complete stop before placing it down.** The application tool can jam and cause you to lose control of the power tool.



**Protect the power tool against heat, e.g. against continuous intense sunlight, fire, water, and moisture.**

There is a risk of explosion.

### Safety instructions for power supply

- ▶ **This power supply is not intended for use by children or persons with physical, sensory or mental limitations or a lack of experience or knowledge. This power supply can be used by children aged 8 or older and by persons who have physical, sensory or mental limitations or a lack of experience or knowledge if a person responsible for their safety supervises them or has instructed them in the safe operation of the power supply and they understand the associated dangers.** Otherwise, there is a risk of operating errors and injuries.



**Do not expose the power supply to rain or wet conditions.** Water entering the power supply will increase the risk of electric shock.

- ▶ **Keep the power supply clean.** Dirt poses a risk of electric shock.
- ▶ **Always check the power supply before use. Stop using the power supply if you discover any damage. Do not open the power supply yourself, and have it repaired only by a qualified specialist using only original replacement parts.** Damaged power supplies increase the risk of electric shock.

## Product Description and Specifications



**Read all the safety and general instructions.** Failure to observe the safety and general instructions may result in electric shock, fire and/or serious injury.

Please observe the illustrations at the beginning of this operating manual.

## Intended Use

The power tool is intended for screwing in and loosening screws.

## Product Features

The numbering of the product features refers to the diagram of the power tool on the graphics page.

- (1) Screwdriver bit<sup>A)</sup>
- (2) Tool holder
- (3) Rubber cap
- (4) Battery charge indicator
- (5) Rotational direction switch
- (6) Hole for attaching strap
- (7) Charge contacts
- (8) On/off switch
- (9) Worklight
- (10) Handle (insulated gripping surface)
- (11) Micro USB port
- (12) Charging cable
- (13) Power supply
- (14) Off-set angle adaptor<sup>A)</sup>
- (15) Angle screw adaptor<sup>A)</sup>
- (16) Unlocking ring<sup>A)</sup>

A) Accessories shown or described are not included with the product as standard. You can find the complete selection of accessories in our accessories range.

## Technical Data

Cordless screwdriver		IXO
Article number		3 603 JC7 0.. 3 603 JC7 1..
Rated voltage	V=	3.6
No-load speed	min <sup>-1</sup>	0-215

**Cordless screwdriver****IXO**

Max. torque, hard/soft screwdriving application according to ISO 5393	Nm	4.5/3.0
Max. screw diameter	mm	5
Weight according to EPTA-Procedure 01:2014	kg	0.34
Recommended ambient temperature during charging	°C	0 to +45
Charging voltage	V	5
Max. charging current	mA	1000
Permitted ambient temperature during operation <sup>A) B) C)</sup> and during storage	°C	-20 to +50

**Battery****Li-ion**

Capacity	Ah	1.5
Energy	Wh	5.4
Number of battery cells		1

**Power supply**

Article number (5 V; 1000 mA)	<b>2 609 120 716 (SAX)</b> <b>2 609 120 717 (SAO)</b> <b>2 609 120 718 (UK)</b>
-------------------------------	---

Max. charging time	h	2
Protection class		□/ II

For additional technical data, visit: [www.bosch-do-it.com/ecodesign](http://www.bosch-do-it.com/ecodesign)

**Charging cable**

Article number	1 607 000 CG9
----------------	---------------

**Charging station**

**Cordless screwdriver****IXO**

Article number	<b>1 600 A01 B58</b> <b>1 600 A01 AU1</b> <b>1 600 A02 1Y2</b>
----------------	--

- A) Overheat protection stops the power tool at temperatures > +65 °C.
- B) measured at 20 - 25 °C
- C) Limited performance at temperatures <0 °C

## Assembly

### Battery charging (see figure A)

- ▶ **Use only the chargers listed in the technical data.** Only these chargers are matched to the lithium-ion battery of your power tool.
- ▶ **Note the mains voltage!** The voltage of the power source must match the voltage specified on the rating plate of the charger. Chargers marked with 230 V can also be operated with 220 V.

**Note:** The battery is supplied partially charged. To ensure full battery capacity, fully charge the battery in the charger before using your power tool for the first time.

The lithium-ion battery can be charged at any time without reducing its service life. Interrupting the charging process does not damage the battery.

The lithium-ion battery is protected against deep discharge by the "Electronic Cell Protection (ECP)". When the battery is discharged, the power tool is switched off by means of a protective circuit: The application tool no longer rotates.

- ▶ **Do not continue to press the On/Off switch after the power tool has automatically switched off.** The battery can be damaged.

### Battery charge indicator during operation

The battery charge indicator (4) displays the state of charge of the battery when the power tool is switched on.

LED	Capacity
Continuous lighting 3 x green	60–100 %
Continuous lighting 2 x green	30–60 %
Continuous lighting 1 x green	10–30 %

LED	Capacity
Flashing light 1 x green	0–10%

To charge the battery, plug the charging cable **(12)** into the port on the bottom of the handle and into the power supply **(13)**. Plug the power supply **(13)** into the plug socket.

#### Battery charge indicator during charging

The battery charge indicator **(4)** indicates the charging progress. During the charging procedure, the indicator flashes.

LED	Capacity
Slowly flashing light 1 x green	0 – 30 %
Slowly flashing light 2 x green	30 – 60 %
Slowly flashing light 3 x green	60 – 100 %
Continuous light 3 x green	100 %

During the charging process, the handle of the power tool will heat up. This is normal. If you are not planning to use the power tool again soon, disconnect the charger from the mains. The power tool cannot be used during the charging process. It is not defective if it does not work during the charging process. Follow the instructions on correct disposal.

#### ► Protect the charger against moisture.

The power tool is equipped with an overload protection system. In normal conditions of use, the power tool cannot be overloaded. In the event of overloading, the power tool automatically shuts off the electronics. In such cases, switch the power tool off and on again.

#### Changing the tool (see figure B)

##### ► Do not use two-sided screwdriver bits that are longer than 25 mm.

Insert the screwdriver bit **(1)** directly into the tool holder **(2)**.

#### Off-Set Angle Adapter/Angle Screw Adapter (see figures C – F)

**Note:** The power tool is not intended for use with the grass shears attachment (1 600 A00 10D).

You can drive in screws close to edges using the off-set angle adapter **(14)**.




The angle screw adapter **(15)** allows you to drive in screws in hard-to-reach areas.

### Assembly (see figures C – D)

To fit the adapters, pull off the rubber cap **(3)** towards you. Then the adapters can be attached. The attachments can be mounted offset by 45° respectively.

### Removal (see figures E – F)

To remove the attachments, turn the unlocking ring **(16)** in the rotational direction  and pull the adapter off towards you. Then reattach the rubber cap **(3)**.

## Operation

### Starting Operation

#### Setting the rotational direction

The rotational direction switch **(5)** is used to change the rotational direction of the power tool. However, this is not possible while the on/off switch **(8)** is being pressed.

**Clockwise rotation:** To drive in screws, slide the rotational direction switch **(5)** forward to the stop.

**Anti-clockwise rotation:** To loosen or unscrew screws, slide the rotational direction switch **(5)** backwards.

#### Switching on/off

To **start** the power tool, press and hold the on/off switch **(8)**.

The worklight **(9)** lights up when the On/Off switch **(8)** is lightly or fully pressed, allowing the work area to be illuminated in poor lighting conditions.

To **switch off** the power tool, release the on/off switch **(8)**.

#### Adjusting the Speed

You can adjust the speed of the power tool when it is on by pressing in the on/off switch **(8)** to varying extents.

A light pressure on the on/off switch **(8)** results in a low rotational speed. Increased pressure on the switch causes an increase in speed.

### Fully automatic spindle lock (Auto-Lock)

The drill spindle, and therefore the tool holder, are locked when the on/off switch (8) is not pressed.

This allows screws to be driven in even when the battery is discharged and enables the power tool to be used as a screwdriver.

- ▶ **If the drill spindle is blocked, do not press the on/off switch (8) for longer than 15 seconds. Otherwise, the power tool may become damaged.**

### Practical advice

- ▶ **Only apply the power tool to the screw/nut when the tool is switched off.** Rotating tool inserts can slip off.

## Maintenance and Service

### Maintenance and Cleaning

- ▶ **To ensure safe and efficient operation, always keep the power tool and the ventilation slots clean.**

If the battery is no longer working, please contact an authorised after-sales service agent for **Bosch** power tools.

In order to avoid safety hazards, if the power supply cord needs to be replaced, this must be done by **Bosch** or by an after-sales service centre that is authorised to repair **Bosch** power tools.

### After-Sales Service and Application Service

Our after-sales service responds to your questions concerning maintenance and repair of your product as well as spare parts. You can find explosion drawings and information on spare parts at: **www.bosch-pt.com**

The Bosch product use advice team will be happy to help you with any questions about our products and their accessories.

In all correspondence and spare parts orders, please always include the 10-digit article number given on the nameplate of the product.

### Australia, New Zealand and Pacific Islands

Robert Bosch Australia Pty. Ltd.

Power Tools

Locked Bag 66

Clayton South VIC 3169  
Customer Contact Center  
Inside Australia:  
Phone: (01300) 307044  
Fax: (01300) 307045

Inside New Zealand:  
Phone: (0800) 543353  
Fax: (0800) 428570

Outside AU and NZ:  
Phone: +61 3 95415555  
[www.bosch-pt.com.au](http://www.bosch-pt.com.au)  
[www.bosch-pt.co.nz](http://www.bosch-pt.co.nz)

**Republic of South Africa**

**Customer service**

Hotline: (011) 6519600

**Gauteng – BSC Service Centre**

35 Roper Street, New Centre  
Johannesburg  
Tel.: (011) 4939375  
Fax: (011) 4930126  
E-Mail: [bsctools@icon.co.za](mailto:bsctools@icon.co.za)

**KZN – BSC Service Centre**

Unit E, Almar Centre  
143 Crompton Street  
Pinetown  
Tel.: (031) 7012120  
Fax: (031) 7012446  
E-Mail: [bsc.dur@za.bosch.com](mailto:bsc.dur@za.bosch.com)

**Western Cape – BSC Service Centre**

Democracy Way, Prosperity Park  
Milnerton  
Tel.: (021) 5512577  
Fax: (021) 5513223  
E-Mail: [bsc@zsd.co.za](mailto:bsc@zsd.co.za)

**Bosch Headquarters**

Midrand, Gauteng  
Tel.: (011) 6519600

Fax: (011) 6519880  
E-Mail: rbsa-hq.pts@za.bosch.com

**People's Republic of China**  
**China Mainland**

Bosch Power Tool (China) Co. Ltd.  
Bosch Service Center  
567, Bin Kang Road  
Bin Kang District  
Hangzhou, Zhejiang Province  
China 310052  
Tel.: (0571) 8887 5566 / 5588  
Fax: (0571) 8887 6688 x 5566# / 5588#  
E-Mail: bsc.hz@cn.bosch.com  
www.bosch-pt.com.cn

**HK and Macau Special Administrative Regions**

Robert Bosch Co. Ltd.  
21st Floor, 625 King's Road  
North Point, Hong Kong  
Customer Service Hotline: +852 2101 0235  
E-Mail: info@hk.bosch.com  
www.bosch-pt.com.hk

**India**

Bosch Service Center  
69, Habibullah Road, (Next to PSBB School), T. Nagar  
Chennai – 600077  
Phone: (044) 64561816  
Bosch Service Center  
18, Community Center  
Phase 1, Mayapuri  
New Delhi – 110064  
Phone: (011) 43166190  
Bosch Service Center  
Shop no 7&8, Aspen garden  
Walbhat road , Goregaon (E)  
Near to Ram Mandir Railway Station  
Mumbai – 400063  
Mobile: 09819952950

### Japan

BOSCH Japan Power Tool division  
3-6-7, Shibuya, Shibuya-ku, Tokyo, 150-8360 Japan

User call center: 0120-345-762

Web-site: <http://www.bosch.co.jp>

BOSCH Power Tools service center Japan  
1464-4, Tsukinowa, Namekawa-machi, Hiki-gun,  
Saitama-ken, 355-0813 Japan  
Tel.: 0493-56-5030

BOSCH Power Tool service center West Japan  
741-1, Matono, Shingu-machi, Kasuya-gun,  
Fukuoka-ken, 811-0104 Japan  
Tel.: 092-963-3486

### Korea

Tel.: 080-955-0909

Email: [bosch-pt.hotline@kr.bosch.com](mailto:bosch-pt.hotline@kr.bosch.com)

[www.bosch.co.kr](http://www.bosch.co.kr)

### Philippines

Robert Bosch, Inc.  
11th Floor Ten West Campus  
20 LeGrand Ave., McKinley West  
Fort Bonifacio, Taguig City 1634  
Tel.: (+632) 8703871  
[www.bosch-pt.com.ph](http://www.bosch-pt.com.ph)

### Singapore

Powerwell Service Centre Ptd Ltd  
Bosch Authorised Service Centre (Power Tools)  
4012 Ang Mo Kio Ave 10, #01-02 TECHplace  
Singapore 569628  
Tel.: 6452 1770  
Fax: 6452 1760  
E-Mail: [ask@powerwellsc.com](mailto:ask@powerwellsc.com)  
[www.powerwellsc.com](http://www.powerwellsc.com)  
[www.bosch-pt.com.sg](http://www.bosch-pt.com.sg)

## Transport

The contained lithium-ion batteries are subject to the Dangerous Goods Legislation requirements. The batteries are suitable for road-transport by the user without further restrictions.

When shipping by third parties (e.g.: by air transport or forwarding agency), special requirements on packaging and labelling must be observed. For preparation of the item being shipped, consulting an expert for hazardous material is required.

## Disposal



Power tools, rechargeable batteries, accessories and packaging should be sorted for environmental-friendly recycling.



Do not dispose of power tools and batteries/rechargeable batteries into household waste!

## Battery packs/batteries:

### Li-ion:

Please observe the notes in the section on transport (see "Transport", page 21).

► **Integrated batteries may only be removed for disposal by qualified personnel.** Opening the housing shell can destroy the power tool.

Before you can remove the battery from the power tool, you will need to use the power tool until the battery is completely discharged. Unscrew the screws on the housing and remove the housing shell in order to remove the battery. To prevent a short circuit, disconnect the connectors on the battery one at a time and then isolate the poles. Even when fully discharged, the battery still contains a residual capacity which can be released in case of a short circuit.

# 한국어

## 안전 수칙

### 전동공구 일반 안전 수칙

#### **⚠ 경고**

본 전동공구와 함께 제공된 모든 안전경고, 지시사항, 그림 및 사양을 숙지하십시오. 다 음의 지시 사항을 준수하지 않으면 감전, 화재, 또는 심각한 부상을 초래할 수 있습니다.

**앞으로 참고할 수 있도록 이 안전수칙과 사용 설명서를 잘 보관하십시오.**

다음에서 사용되는 "전동공구"라는 개념은 전원에 연결하여 사용하는 (전선이 있는) 전동 기기나 배터리를 사용하는 (전선이 없는) 전동 기기를 의미합니다.

#### 작업장 안전

- ▶ **작업장을 항상 깨끗이 하고 조명을 밝게 하십시오.** 작업장 환경이 어수선하거나 어두우면 사고를 초래할 수 있습니다.
- ▶ **가연성 유체, 가스 또는 분진이 있어 폭발 위험이 있는 환경에서 전동공구를 사용하지 마십시오.** 전동공구는 분진이나 증기에 점화하는 스파크를 일으킬 수 있습니다.
- ▶ **전동공구를 사용할 때 구경꾼이나 어린이 혹은 다른 사람이 작업장에 접근하지 못하게 하십시오.** 다른 사람이 주의를 산만하게 하면 기기에 대한 통제력을 잃기 쉽습니다.

#### 전기에 관한 안전

- ▶ **전동공구의 전원 플러그가 전원 콘센트에 잘 맞아야 합니다.** 플러그를 절대 변경시켜서는 안 됩니다. (접지된) 전동공구를 사용할 때 어댑터 플러그를 사용하지 마십시오. 변형되지 않은 플러그와 잘 맞는 콘센트를 사용하면 감전의 위험을 줄일 수 있습니다.
- ▶ **파이프 관, 라디에이터, 레인지, 냉장고와 같은 접지 표면에 몸이 닿지 않도록 하십시오.** 몸에 닿을 경우 감전될 위험이 높습니다.
- ▶ **전동공구를 비에 맞지 않게 하고 습기 있는 곳에 두지 마십시오.** 전동공구에 물이 들어가면 감전될 위험이 높습니다.

- ▶ 전원 코드를 잘못 사용하는 일이 없도록 하십시오. 전원 코드를 잡고 전동공구를 운반해서는 안 되며, 콘센트에서 전원 플러그를 뽑을 때 전원 코드를 잡아 당겨서는 절대로 안 됩니다. 전원 코드가 열과 오일에 접촉하는 것을 피하고, 날카로운 모서리나 기기의 가동 부위에 닿지 않도록 주의하십시오. 손상되거나 영긴 전원 코드는 감전을 유발할 수 있습니다.
- ▶ 실외에서 전동공구로 작업할 때는 실외용으로 적당한 연장 전원 코드만을 사용하십시오. 실외용 연장 전원 코드를 사용하면 감전의 위험을 줄일 수 있습니다.
- ▶ 전동공구를 습기 찬 곳에서 사용해야 할 경우에는 누전 차단기를 사용하십시오. 누전 차단기를 사용하면 감전 위험을 줄일 수 있습니다.

#### 사용자 안전

- ▶ 신중하게 작업하며, 전동공구를 사용할 때 경솔하게 행동하지 마십시오. 피로한 상태이거나 약물 복용 및 음주한 후에는 전동공구를 사용하지 마십시오. 전동공구를 사용할 때 잠시라도 주의가 산만해지면 중상을 입을 수 있습니다.
- ▶ 작업자 안전을 위한 장치를 사용하십시오. 항상 보안경을 착용하십시오. 전동공구의 종류와 사용에 따라 면지 보호 마스크, 미끄러지지 않는 안전화, 안전모 또는 귀마개 등의 안전한 복장을 하면 상해의 위험을 줄일 수 있습니다.
- ▶ 실수로 기기가 작동되지 않도록 주의하십시오. 전동공구를 전원에 연결하거나 배터리를 끼우기 전에, 혹은 기기를 들거나 운반하기 전에, 전원 스위치가 꺼져 있는지 다시 확인하십시오. 전동공구를 운반할 때 전원 스위치에 손가락을 대거나 전원 스위치가 켜진 상태에서 전원을 연결하면 사고 위험이 높습니다.
- ▶ 전동공구를 사용하기 전에 조절하는 톨이나 키 등을 빼 놓으십시오. 회전하는 부위에 있는 톨이나 키로 인해 상처를 입을 수 있습니다.
- ▶ 자신을 과신하지 마십시오. 불안정한 자세를 피하고 항상 평형을 이룬 상태로 작업하십시오. 안정된 자세와 평형한 상태로 작업해야만이 의외의 상황에서도 전동공구를 안전하게 사용할 수 있습니다.
- ▶ 알맞은 작업복을 입으십시오. 헐렁한 복장을 하거나 장신구를 착용하지 마십시오. 머리카락이 가동하는 기기 부위에 가까



## 24 | 한국어

이 닿지 않도록 주의하십시오. 혈명한 복장, 장신구 혹은 긴 머리는 가동 부위에 말려 사고를 초래할 수 있습니다.

- ▶ 분진 추출장치나 수거장치의 조립이 가능한 경우, 이 장치가 연결되어 있는지, 제대로 작동이 되는지 확인하십시오. 이러한 분진 추출장치를 사용하면 분진으로 인한 사고 위험을 줄일 수 있습니다.
- ▶ 툴을 자주 사용한다고 해서 안주하는 일이 없게 하고 공구의 안전 수칙을 무시하지 않도록 하십시오. 부주의하게 취급하여 순간적으로 심각한 부상을 입을 수 있습니다.

### 전동공구의 올바른 사용과 취급

- ▶ 기기를 과부하 상태에서 사용하지 마십시오. 작업할 때 이에 적당한 전동공구를 사용하십시오. 알맞은 전동공구를 사용하면 지정된 성능 한도 내에서 더 효율적으로 안전하게 작업할 수 있습니다.
- ▶ 전원 스위치가 고장 난 전동공구를 사용하지 마십시오. 전원 스위치가 작동되지 않는 전동공구는 위험하므로, 반드시 수리를 해야 합니다.
- ▶ 전동공구를 조정하거나 액세서리 부품 교환 혹은 공구를 보관할 때, 항상 전원 콘센트에서 플러그를 미리 빼어 놓거나 배터리를 분리하십시오. 이러한 조치는 실수로 전동공구가 작동하게 되는 것을 예방합니다.
- ▶ 사용하지 않는 전동공구는 어린이 손이 닿지 않는 곳에 보관하고, 전동공구 사용에 익숙지 않거나 이 사용 설명서를 읽지 않은 사람은 기기를 사용해서는 안됩니다. 경험이 없는 사람이 전동공구를 사용하면 위험합니다.
- ▶ 전동공구 및 액세서리를 조심스럽게 관리하십시오. 가동 부위가 하자 없이 정상적인 기능을 하는지, 걸리는 부위가 있는지, 혹은 전동공구의 기능에 중요한 부품이 손상되지 않았는지 확인하십시오. 손상된 기기의 부품은 전동공구를 다시 사용하기 전에 반드시 수리를 맡기십시오. 제대로 관리하지 않은 전동공구의 경우 많은 사고를 유발합니다.
- ▶ 절단 공구를 날카롭고 깨끗하게 관리하십시오. 날카로운 절단면이 있고 잘 관리된 절단공구는 걸리는 경우가 드물고 조절하기도 쉽습니다.
- ▶ 전동공구, 액세서리, 장착하는 공구 등을 사용할 때, 이 지시 사항과 특별히 기종 별로 나와있는 사용 방법을 준수하십시오. 이때 작업 조건과 실시하려는 작업 내용을 고려하십시오. 원

래 사용 분야가 아닌 다른 작업에 전동공구를 사용할 경우 위험한 상황을 초래할 수 있습니다.

- ▶ **손잡이 및 잡는 면을 건조하게 유지하고, 오일 및 그리스가 묻어 있지 않도록 깨끗하게 하십시오.** 손잡이 또는 잡는 면이 미끄러우면 예상치 못한 상황에서 안전한 취급 및 제어가 어려워 집니다.

#### 충전 전동공구의 올바른 사용과 취급

- ▶ **배터리를 충전할 때 제조 회사가 추천하는 충전기만을 사용하여 재충전해야 합니다.** 특정 제품의 배터리를 위하여 제조된 충전기에 적합하지 않은 다른 배터리를 충전할 경우 화재 위험이 있습니다.
- ▶ **각 전동공구용으로 나와있는 배터리만을 사용하십시오.** 다른 종류의 배터리를 사용하면 상해를 입거나 화재를 초래할 수 있습니다.
- ▶ **배터리를 사용하지 않을 때는, 각 극을 자극 할 수 있는 페이퍼 클립, 동전, 열쇠, 못, 나사 등 유사한 금속성 물체와 멀리하여 보관하십시오.** 배터리 극 사이에 쇼트가 일어나 화상을 입거나 화재를 야기할 수 있습니다.
- ▶ **배터리를 잘못 사용하면 누수가 생길 수 있습니다. 누수가 생긴 배터리에 닿지 않도록 하십시오.** 피부에 접촉하게 되었을 경우 즉시 물로 씻으십시오. 유체가 눈에 닿았을 경우 바로 의사와 상담하십시오. 배터리에서 나오는 유체는 피부에 자극을 주거나 화상을 입힐 수 있습니다.
- ▶ **손상된 배터리 또는 공구를 사용하지 마십시오.** 손상되었거나 개조된 배터리는 예기치 못한 특성으로 인해 화재, 폭발 또는 부상의 위험을 초래할 수 있습니다.
- ▶ **배터리 또는 공구가 화기 또는 지나치게 높은 온도에 노출되지 않도록 하십시오.** 화기 또는 130 °C 이상의 온도에 노출되면 폭발할 위험이 있습니다.
- ▶ **충전 지침을 준수하고 지침에 제시된 범위를 벗어난 온도에서 충전하지 마십시오.** 제시된 범위를 벗어난 부적절한 온도에서 충전할 경우 배터리가 손상되어 화재 발생의 위험이 증가됩니다.

## 서비스

- ▶ 전동공구 수리는 반드시 전문 인력에게 맡기고, 수리 정비 시 보쉬 순정 부품만을 사용하십시오. 그렇게 함으로써 기기의 안전성을 오래 유지할 수 있습니다.
- ▶ 손상된 배터리는 절대 수리하지 마십시오. 배터리 수리는 제조사 또는 공인 서비스센터에서만 진행할 수 있습니다.

## 스크류 드라이버 관련 안전 수칙

- ▶ 파스너가 숨겨진 배선에 접촉할 가능성이 있는 작업을 수행할 경우, 전동공구의 절연된 손잡이 면만 잡으십시오. 파스너가 "전류가 흐르는" 전선에 접촉되면, 전동공구의 노출된 금속 부품에 "전류가 흐르는" 상태로 만들어 작업자가 감전될 수 있습니다.
- ▶ 보이지 않는 부위에 에너지 배선 및 배관 여부를 확인하려면 적당한 탐지기를 사용하거나 담당 전력 공급회사에 문의하십시오. 전선에 접하게 되면 화재나 전기 충격을 야기할 수 있습니다. 가스관을 손상시키면 폭발 위험이 있습니다. 수도관을 파손하게 되면 재산 피해를 야기할 수 있습니다.
- ▶ 전동 공구를 잘 잡으십시오. 스크류를 조이거나 풀 때 잠깐 동안 높은 반력 토크가 발생할 수 있습니다.
- ▶ 작업물을 잘 고정하십시오. 고정 장치나 기계 바이스에 끼워서 작업하면 손으로 잡는 것보다 더 안전합니다.
- ▶ 전동공구를 내려놓기 전에 기기가 완전히 멈추었는지 확인하십시오. 삽입공구가 걸리거나 전동공구에 대한 통제가 어려워질 수 있습니다.



전동공구가 태양 광선 등 고열에 장시간 노출되지 않게 하고 화기와 물기, 수분이 있는 곳에 두지 마십시오. 폭발 위험이 있습니다.

## 전원 플러그 관련 안전 수칙

- ▶ 본 전원 플러그는 어린이나 정신지체 및 신체 부자유자 혹은 경험이나 지식이 부족한 사람이 사용하기에 적합하지 않습니다. 본 전원 플러그는 안전 책임자의 감독 하에 혹은 감독자에게 전원 플러그의 안전한 사용법과 관련 위험사항에 대한 교육을 받고 이해한 경우에 한해 8세 이상의 어린이, 정신지체 및 신체 부자유자 혹은 경험이나 지식이 부족한 사람이 사용할 수

있습니다. 이를 지키지 않을 경우, 오작동과 부상의 위험이 따릅니다.



**전원 플러그가 비에 맞지 않게 하고 습기 있는 곳에 두지 마십시오.** 전원 플러그에 물이 들어가면 감전될 위험이 높습니다.

- ▶ **전원 플러그를 깨끗하게 유지하십시오.** 오염으로 인해 감전이 발생할 수 있습니다.
- ▶ **사용하기 전에 항상 전원 플러그를 점검하십시오.** 손상된 부위가 발견되면 전원 플러그를 사용하지 마십시오. 전원 플러그는 스스로 직접 분해하지 말고 해당 자격을 갖춘 전문 인력에게만 맡겨 순정 대체품으로만 수리하십시오. 손상된 전원 플러그는 감전을 일으킬 위험이 높습니다.

## 제품 및 성능 설명



모든 안전 수칙과 지침을 숙지하십시오. 다음의 안전 수칙과 지침을 준수하지 않으면 화재 위험이 있으며 감전 혹은 중상을 입을 수 있습니다.

사용 설명서 앞 부분에 제시된 그림을 확인하십시오.

### 규정에 따른 사용

본 전동공구는 스크류를 조이거나 푸는 작업을 하는 데 사용해야 합니다.

### 제품의 주요 명칭

제품의 주요 명칭에 표기되어 있는 번호는 기기 그림이 나와있는 면을 참고하십시오.

- (1) 스크류 드라이버 비트<sup>A)</sup>
- (2) 톨 홀더
- (3) 고무 캡
- (4) 배터리 충전상태 표시기
- (5) 회전방향 선택 스위치
- (6) 고리쇠
- (7) 충전 접점

## 28 | 한국어

- (8) 전원 스위치
- (9) 작업 램프
- (10) 손잡이(절연된 손잡이 부위)
- (11) 마이크로 USB 단자
- (12) 충전 케이블
- (13) 전원 플러그
- (14) 편심 헤드<sup>A)</sup>
- (15) 앵글 드라이버 헤드<sup>A)</sup>
- (16) 해제 링<sup>A)</sup>

A) 도면이나 설명서에 나와있는 액세서리는 표준 공급부품에 속하지 않습니다. 전체 액세서리는 저희 액세서리 프로그램을 참고하십시오.

## 제품 사양

충전 스크류 드라이버		IXO
제품 번호		3 603 JC7 0.. 3 603 JC7 1..
정격 전압	V=	3.6
무부하 속도	min <sup>-1</sup>	0-215
ISO 5393에 따른 경질/연질 스크류 작업 시 최대 토크	Nm	4.5/3.0
최대 스크류 직경	mm	5
EPTA-Procedure 01:2014에 따른 중량	kg	0.34
충전 시 권장되는 주변 온도	°C	0 ... +45
충전 전압	V	5
최대 충전 전류	mA	1000
작동 시 <sup>A) B) C)</sup> 및 보관 시 허용되는 주변 온도	°C	-20 ... +50
<b>배터리</b>		<b>리튬 이온</b>
용량	Ah	1.5
전력	Wh	5.4

**충전 스크류 드라이버 IX0**

배터리 셀 개수 1

**전원 플러그**

제품 번호 2 609 120 716 (SAX)  
 (5V, 1000mA) 2 609 120 717 (SAO)  
 2 609 120 718 (UK)

최대 충전 시간 h 2

보호 등급 □/II

기타 기술 자료는 [www.bosch-do-it.com/ecodesign](http://www.bosch-do-it.com/ecodesign)에서 확인  
 해보시기 바랍니다.

**충전 케이블**

제품 번호 1 607 000 CG9

**충전대**

제품 번호 1 600 A01 B58  
 1 600 A01 AU1  
 1 600 A02 1YZ

A) 과열 방지 장치는 온도가 +65 °C를 넘어가면 전동공구를 정지시킵니다.

B) 20-25 °C에서 측정됨

C) 온도 <0 °C일 때 출력 제한

**조립****배터리 충전하기(그림 A 참조)**

- ▶ 기술자료에 기재되어 있는 충전기만 사용하십시오. 귀하의 전동공구에 사용된 리튬이온 배터리에 맞춰진 충전기들입니다.
- ▶ 전원 전압에 유의하십시오! 공급되는 전원의 전압은 충전기의 명판에 표기된 전압과 일치해야 합니다. 230 V로 표시된 충전기는 220 V에서도 작동이 가능합니다.

**지침:** 배터리는 일부 충전되어 공급됩니다. 배터리의 성능을 완전하게 보장하기 위해서는 처음 사용하기 전에 배터리를 충전기에 완전히 충전하십시오.

### 30 | 한국어

리튬이온 배터리는 항상 충전할 수 있으며, 이로 인해 수명이 단축되지 않습니다. 충전을 하다 중간에 중지해도 배터리가 손상되지 않습니다.

리튬 이온 배터리는 “Electronic Cell Protection (ECP)” (전자 셀 보호) 기능이 있어 과도하게 방전되지 않습니다. 배터리가 방전되면 안전 스위치가 작동하여 전동공구가 꺼지고 비트가 더 이상 움직이지 않습니다.

▶ **전동공구가 자동으로 작동이 중단된 경우 전원 스위치를 계속 누르지 마십시오.** 배터리가 손상될 수 있습니다.

#### 작동 중 배터리 충전상태 표시기

배터리 충전상태 표시기 (4) 는 전동공구의 전원이 켜진 상태에서 서 배터리의 충전 상태를 보여줍니다.

LED	용량
연속등 3 x 녹색	60-100 %
연속등 2 x 녹색	30-60 %
연속등 1 x 녹색	10-30 %
점멸등 1 x 녹색	0-10 %

충전하려면 충전 케이블 (12) 을 손잡이 아랫면의 소켓 및 전원 플러그 (13) 에 끼우십시오. 이후 전원 플러그 (13) 를 소켓에 끼우십시오.

#### 충전 중 배터리 충전상태 표시기

배터리 충전상태 표시기 (4) 는 충전 진행 상태를 나타냅니다. 충전 과정 중에 표시기의 램프가 깜박입니다.

LED	용량
느린 깜박등 1 x 녹색	0 - 30 %
느린 깜박등 2 x 녹색	30 - 60 %
느린 깜박등 3 x 녹색	60 - 100 %
연속등 3 x 녹색	100 %

충전 과정 중에 전동공구의 손잡이에 열이 발생합니다. 이는 일반적인 현상입니다. 장기간 사용하지 않을 경우 충전기를 전원 콘센트에서 분리하십시오. 충전 중에는 전동공구를 사용할 수 없습니다. 충전하는 동안 기기가 작동하지 않는 것은 고장이 아닙니다. 폐기처리에 관련된 지시 사항을 준수하십시오.

▶ **충전기가 젖지 않도록 하십시오!**

전동공구에는 과부하 방지 장치가 장착되어 있습니다. 규정에 맞게 사용할 때 전동공구의 과부하를 방지할 수 있습니다. 과도한 부하가 발생한 경우, 전자 장치가 전동공구 작동을 차단합니다. 이 경우 전동공구의 전원을 껐다가 다시 켜십시오.

## 공구 교환(그림 B 참조)

▶ 25 mm 이상의 양면 스크류 드라이버 비트를 사용하지 마십시오.

스크류 드라이버 비트 (1) 를 직접 툴 홀더 (2) 에 끼우십시오.

## 편심 헤드/앵글 드라이버 헤드(그림 C - F 참조)

**지침:** 본 전동공구는 잔디깎이 연결장치(1 600 A00 10D)와 함께 사용하기에는 적합하지 않습니다!

편심 헤드 (14) 는 가장자리 가까이에 볼트로 체결할 수 있습니다.

앵글 드라이버 헤드 (15) 를 사용하면 접근하기 어려운 부위에도 스크류 작업을 할 수 있습니다.

## 조립(그림 C - D 참조)

부착 부품을 조립하려면 고무 캡 (3) 을 앞으로 당겨 빼내십시오. 이후에 부착 부품을 끼우십시오. 부착 부품은 45°씩 기울여 조립할 수 있습니다.

## 탈거(그림 E - F 참조)

부착 부품을 탈착하려면 해제 링 (16) 을 회전 방향 ① 로 돌리고 나서 부착부품을 앞으로 빼십시오. 그리고 나서 고무 캡 (3) 을 다시 끼우십시오.

# 작동

## 기계 시동

### 회전방향 설정하기

회전방향 선택 스위치 (5) 를 이용해 전동공구의 회전방향을 변경할 수 있습니다. 전원 스위치 (8) 가 눌린 상태에서는 변경할 수 없습니다.

**우회전:** 볼트를 돌려 끼우려면 회전방향 선택 스위치 (5) 를 스톱 위치까지 앞으로 미십시오.



**화회전:** 스크류를 풀거나 돌려 빼내려면 회전방향 선택 스위치 (5) 를 뒤쪽으로 미십시오.

### 전원 스위치 작동

전동공구를 작동하려면 전원 스위치 (8) 를 누르고 누른 상태를 유지하십시오.

전원 스위치 (8) 를 약간 또는 끝까지 누르면 작업 램프 (9) 가 점등되기 때문에 조명 상태가 안 좋을 경우 작업 영역을 비출 수 있습니다.

전동공구의 스위치를 끄려면 전원 스위치 (8) 에서 손을 떼면 됩니다.

### 속도 조절

전원 스위치 (8) 를 밀어 이동시키는 만큼 전원이 켜진 전동공구의 회전속도를 조절할 수 있습니다.

전원 스위치 (8) 를 약간만 밀면 속도가 낮아집니다. 세게 누르면 속도가 빨라집니다.

### 전자동 스펀들 잠금장치(Auto-Lock)

전원 스위치 (8) 를 누르지 않은 상태에서는 드릴 스펀들과 톨 홀더가 잠겨 있습니다.

이로 인해 방전 상태의 배터리로 나사못을 조이는 것과 전동공구를 스크류 드라이버로 사용하는 것이 가능합니다.

- ▶ 드릴 스펀들이 잠겨진 상태에서 전원 스위치 (8) 를 15초 이상 누르지 마십시오. 그렇게 하지 않으면 전동공구가 손상될 수 있습니다.

### 사용 방법

- ▶ 전동공구의 스위치가 꺼진 상태에서만 볼트/너트에 대십시오. 회전하는 드릴 비트가 미끄러질 수 있습니다.

## 보수 정비 및 서비스

### 보수 정비 및 유지

- ▶ 안전하고 올바른 작동을 위하여 전동공구와 전동공구의 통풍구를 항상 깨끗이 하십시오.

배터리 기능에 문제가 있으면 **Bosch** 지정 전동공구 서비스 센터에 문의하십시오.

연결 코드를 교환해야 할 경우 안전을 기하기 위해 **Bosch** 또는 **Bosch** 지정 전동공구 서비스 센터에 맡겨야 합니다.

## AS 센터 및 사용 문의

AS 센터에서는 귀하 제품의 수리 및 보수정비, 그리고 부품에 관한 문의를 받고 있습니다. 대체 부품에 관한 분해 조립도 및 정보는 인터넷에서도 찾아 볼 수 있습니다 - **www.bosch-pt.com**  
보쉬 사용 문의 팀에서는 보쉬의 제품 및 해당 액세서리에 관한 질문에 기꺼이 답변 드릴 것입니다.

문의나 대체 부품 주문 시에는 반드시 제품 네임 플레이트에 있는 10자리의 부품번호를 알려 주십시오.

콜센터  
080-955-0909

## 운반

포함되어 있는 리튬이온 배터리는 위험물 관련 규정을 따라야 합니다. 별도의 요구사항 없이 배터리를 사용자가 직접 도로 상에서 운반할 수 있습니다.

제3자를 통해 운반할 경우(항공 운송이나 운송 회사 등) 포장과 표기에 관한 특별한 요구 사항을 준수해야 합니다. 이 경우 발송 준비를 위해 위험물 전문가와 상담해야 합니다.

## 처리



전동공구, 배터리, 액세서리 및 포장은 환경 친화적인 방법으로 재활용 수 있도록 분류하십시오.



전동공구와 충전용 배터리/배터리를 가정용 쓰레기로 처리하지 마십시오!

## 충전용 배터리/배터리:

### 리튬이온:

운반 단락에 나와 있는 지침을 참고하십시오 (참조 „운반“, 페이지 33).

- ▶ **내장된 배터리는 폐기처리를 위해 전문가를 통해서만 분리할 수 있습니다.** 하우징 커버를 열면서 전동공구가 파손될 수 있습니다.

### 34 | 한국어

전동공구에서 배터리를 분리하려면, 배터리가 완전히 방전될 때까지 전동공구를 작동시키십시오. 하우징의 볼트를 돌려 풀고 하우징 커버를 빼내어 배터리를 분리하십시오. 단락을 방지하려면, 배터리에서 연결부를 차례대로 분리한 후 전극을 절연 처리하십시오. 완전히 방전된 상태에서도 남아 있는 배터리의 잔여 용량으로 인해 단락이 발생할 수 있습니다.

## عربي

## إرشادات الأمان

## الإرشادات العامة للأمان بالعدد الكهربائية

**⚠ تحذير** اطلع على كافة تحذيرات الأمان والتعليمات والصور والمواصفات المرفقة بالعدة الكهربائية. عدم اتباع التعليمات الواردة أدناه قد يؤدي إلى حدوث صدمة كهربائية، إلى نشوب حريق و/أو الإصابة بجروح خطيرة.

**احتفظ بجميع الملاحظات التحذيرية والتعليمات للمستقبل.** يقصد بمصطلح «العدة الكهربائية» المستخدم في الملاحظات التحذيرية، العدد الكهربائية الموصولة بالشبكة الكهربائية (بواسطة كابل الشبكة الكهربائية) وأيضاً العدد الكهربائية المزودة بمركم (دون كابل الشبكة الكهربائية).

## الأمان بمكان الشغل

- ◀ **حافظ على نظافة مكان شغلك وإضاءته بشكل جيد.** الفوضى في مكان الشغل وتطابقات العمل غير المضاءة قد تؤدي إلى وقوع الحوادث.
- ◀ **لا تشغل بالعدة الكهربائية في نطاق معرض لخطر الانفجار** مثل الأماكن التي تتوفر فيه السوائل أو الغازات أو الأعبرة القابلة للاشتعال. العدد الكهربائية تولد شرراً قد يتطاير، فيشعل الأعبرة والأبفرة.
- ◀ **حافظ على بقاء الأطفال وغيرهم من الأشخاص بعيداً عندما تستعمل العدة الكهربائية.** تشتيت الانتباه قد يتسبب في فقدان السيطرة على الجهاز.

## الأمان الكهربائي

- ◀ **يجب أن يتلائم قابس العدة الكهربائية مع المقبس.** لا يجوز تغيير القابس بأي حال من الأحوال. لا تستعمل القوابس المهيأة مع العدد الكهربائية المؤرضة (ذات طرف أرضي). تخفّض القوابس التي لم يتم تغييرها والمقابس الملائمة من خطر الصدمات الكهربائية.
- ◀ **تجنب ملامسة جسمك للأسطح المؤرضة كالأنايب والمبردات والمواقد أو الثلاثجات.** يزداد خطر الصدمات الكهربائية عندما يكون جسمك مؤرض أو موصل بالأرضي.

- ◀ أبعد العدة الكهربائية عن الأمطار أو الرطوبة. يزداد خطر الصدمات الكهربائية إن تسرب الماء إلى داخل العدة الكهربائية.
- ◀ لا تسئ استعمال الكابل. لا تستخدم الكابل في حمل العدة الكهربائية أو سحبها أو سحب القابس من المقبس. احرص على إبعاد الكابل عن الحرارة والزيت والحواف الحادة أو الأجزاء المتحركة. تزيد الكابلات التالفة أو المتشابكة من خطر الصدمات الكهربائية.
- ◀ عند استخدام العدة الكهربائية خارج المنزل اقتصر على استخدام كابلات التمديد الصالحة للاستعمال الخارجي. يقلل استعمال كابل تمديد مخصص للاستعمال الخارجي من خطر الصدمات الكهربائية.
- ◀ إن لم يكن بالإمكان تجنب تشغيل العدة الكهربائية في الأجواء الرطبة، فاستخدم مفتاح للوقاية من التيار المتخلف. إن استخدام مفتاح للوقاية من التيار المتخلف يقلل خطر الصدمات الكهربائية.

### أمان الأشخاص

- ◀ كن يقظا وانتبه إلى ما تفعله واستخدم العدة الكهربائية بتعقل. لا تستخدم عدة كهربائية عندما تكون متعبا أو عندما تكون تحت تأثير المخدرات أو الكحول أو الأدوية. عدم الانتباه للحظة واحدة عند استخدام العدة الكهربائية قد يؤدي إلى إصابات خطيرة.
- ◀ قم لارتداء تجهيزات الحماية الشخصية. وارتد دائما نظارات واقية. يحد ارتداء تجهيزات الحماية الشخصية، كقناع الوقاية من الغبار وأحذية الأمان الواقية من الانزلاق والوذ أو واقية الأذنين، حسب ظروف استعمال العدة الكهربائية، من خطر الإصابة بجروح.
- ◀ تجنب التشغيل بشكل غير مقصود. تأكد من كون العدة الكهربائية مطفأة قبل توصيلها بالتيار الكهربائي و/أو بالمركم، وقبل رفعها أو حملها. إن كنت تضع إصبعك على المفتاح أثناء حمل العدة الكهربائية أو إن وصلت الجهاز بالشبكة الكهربائية بينما لامفتاح على وضع التشغيل، قد يؤدي إلى وقوع الحوادث.
- ◀ انزع أداة الضبط أو مفتاح الربط قبل تشغيل العدة الكهربائية. قد تؤدي الأداة أو المفتاح المتواجد في جزء دوار من الجهاز إلى الإصابة بجروح.

- ◀ تجنب أوضاع الجسم غير الطبيعية. قف بأمان وحافظ على توازنك دائما. سيسمح لك ذلك بالتحكم في الجهاز بشكل أفضل في المواقف الغير متوقعة.
- ◀ قم بارتداء ثياب مناسبة. لا ترتد الثياب الفضفاضة أو الحللى. احرص على إبقاء الشعر والملابس بعيدا عن الأجزاء المتحركة. قد تتشابك الثياب الفضفاضة والحلى والشعر الطويل بالأجزاء المتحركة.
- ◀ إن جاز تركيب تجهيزات شفط وتجميع الغبار، فتأكد من أنها موصولة وبأنه يتم استخدامها بشكل سليم. قد يقلل استخدام تجهيزات لشفط الغبار من المخاطر الناتجة عن الغبار.
- ◀ لا تستخدم العدة الكهربائية بلا مبالاة وتتجاهل قواعد الأمان الخاصة بها نتيجة لتعودك على استخدام العدة الكهربائية وكثرة استخدامها. فقد يتسبب الاستخدام دون حرص في حدوث إصابة بالغة تحدث في أجزاء من الثانية.
- حسن معاملة واستخدام العدد الكهربائي
- ◀ لا تفرط بتحميل الجهاز. استخدم لتنفيذ أشغالك العدة الكهربائية المخصصة لذلك. إنك تعمل بشكل أفضل وأكثر أمانا بواسطة العدة الكهربائية الملائمة في مجال الأداء المذكور.
- ◀ لا تستخدم العدة الكهربائية إن كان مفتاح تشغيلها تالف. العدة الكهربائية التي لم يعد من الممكن التحكم بها عن طريق مفتاح التشغيل والإطفاء تعتبر خطيرة ويجب أن يتم إصلاحها.
- ◀ اسحب القابس من المقبس و/أو اخلع المرحم، إذا كان قابلا للخلع، قبل ضبط الجهاز وقبل استبدال الملحقات أو قبل تخزين الجهاز. تمنع هذه الإجراءات وقائية تشغيل العدة الكهربائية بشكل غير مقصود.
- ◀ احتفظ بالعدد الكهربائي التي لا يتم استخدامها بعيدا عن متناول الأطفال. لا تسمح باستخدام العدة الكهربائية لمن لا خبرة له بها أو لمن لم يقرأ تلك التعليمات. العدد الكهربائي خطيرة إن تم استخدامها من قبل أشخاص دون خبرة.
- ◀ اعتن بالعدة الكهربائية والملحقات بشكل جيد. تأكد أن أجزاء الجهاز المتحركة مركبة بشكل سليم وغير مستعصبة عن الحركة، وتفحص ما إن كانت هناك أجزاء مكسورة أو في حالة تؤثر على سلامة أداء العدة الكهربائية. ينبغي إصلاح هذه الأجزاء التالفة قبل إعادة تشغيل الجهاز. الكثير من الحوادث مصدرها العدد الكهربائي التي تتم صيانتها بشكل رديء.

- ◀ **احرص على إبقاء عدد القطع نظيفة وحادة.** إن عدد القطع ذات حواف القطع الحادة التي تم صيانتها بعناية تتكلم بشكل أقل ويمكن توجيهها بشكل أيسر.
- ◀ **استخدم العدد الكهربائية والتوابع وريش الشغل إلخ.** وفقا لهذه التعليمات. تراعى أثناء ذلك ظروف الشغل والعمل المراد تنفيذه. استخدام العدد الكهربائية لغير الأشغال المخصصة لأجلها قد يؤدي إلى حدوث الحالات الخطيرة.
- ◀ **احرص على إبقاء المقابض وأسطح المسك جافة ونظيفة وخالية من الزيوت والشحوم.** المقابض وأسطح المسك الزلقة لا تتيح التشغيل والتحكم الآمن في العدة في المواقف غير المتوقعة.
- حسن معاملة واستخدام العدد المزودة بمركم**
- ◀ **اشحن المراكم فقط في أجهزة الشحن التي يُنصح باستخدامها من طرف المنتج.** قد يتسبب جهاز الشحن المخصصة لنوع معين من المراكم في خطر الحريق إن تم استخدامه مع نوع آخر من المراكم.
- ◀ **استخدم العدد الكهربائية فقط مع المراكم المصممة لهذا الغرض.** قد يؤدي استخدام المراكم الأخرى إلى إصابات وإلى خطر نشوب الحرائق.
- ◀ **حافظ على إبعاد المركم الذي لا يتم استعماله عن مشابك الورق وقطع النقود المعدنية والمفاتيح والمسامير واللواهب أو غيرها من الأغراض المعدنية الصغيرة التي قد تقوم بتوصيل الملامسين ببعضهما البعض.** قد يؤدي تقصير الدارة الكهربائية بين ملامسي المركم إلى الاحتراق أو إلى اندلاع النار.
- ◀ **قد يتسرب السائل من المركم في حالة سوء الاستعمال.** تجنب ملامسته. اشطفه بالماء في حال ملامسته بشكل غير مقصود. إن وصل السائل إلى العينين، فراجع الطبيب إضافة إلى ذلك. قد يؤدي سائل المركم المتسرب إلى تهيج البشرة أو إلى الاحتراق.
- ◀ **لا تستخدم عدة أو مركم تعرضا لأضرار أو للتعديل.** البطاريات المتعرضة لأضرار أو لتعديلات قد ينتج عنها أشياء لا يمكن التنبؤ بها، قد تسبب نشوب حريق أو حدوث انفجار أو إصابات.
- ◀ **لا تعرض المركم أو العدة للهب أو لدرجة حرارة زائدة.** التعرض للهب أو لدرجة حرارة أعلى من 130 °م قد يتسبب في انفجار.

◀ **اتبع تعليمات الشحن ولا تقم بشحن المرمك أو العدة خارج نطاق درجة الحرارة المحدد في التعليمات.** الشحن بشكل غير صحيح أو في درجات حرارة خارج النطاق المحدد قد يعرض المرمك لأضرار ويزيد من مخاطر الحريق.

### الخدمة

◀ **احرص على إصلاح عدتك الكهربائية فقط بواسطة العمال المتخصصين وباستعمال قطع الغيار الأصلية فقط.** يضمن ذلك المحافظة على أمان الجهاز.

◀ **لا تقم بإجراء أعمال خدمة على المراكم التالية.** أعمال الخدمة على المراكم يجب أن تقوم بها الجهة الصانعة فقط أو مقدم الخدمة المعتمد.

### تعليمات الأمان لمفكات اللوالب

◀ **أمسك العدة الكهربائية من أسطح المسك المعزولة عند القيام بأعمال قد يترتب عليها ملامسة أداة الربط لأسلاك كهربائية غير ظاهرة.** قد يتسبب تلامس أداة الربط مع سلك «مكهرب» في مرور التيار في الأجزاء المعدنية من العدة وجعلها مكهربة مما قد يصيب المشغل بصدمة كهربائية.

◀ **استخدم أجهزة تنقيب ملائمة للعثور على خطوط الامداد غير الظاهرة، أو استعن بشركة الامداد المحلية.** ملامسة الخطوط الكهربائية قد تؤدي إلى اندلاع النار وإلى الصدمات الكهربائية. حدوث أضرار بخط الغاز قد يؤدي إلى حدوث انفجارات. اختراق خط الماء يتسبب في وقوع أضرار مادية.

◀ **أمسك بالعدة الكهربائية بإحكام.** قد تتشكل عزوم رد فعل عالية لوهلة قصيرة عند إحكام شد وحل اللوالب.

◀ **احرص على تأمين قطعة الشغل.** قطعة الشغل المثبتة بواسطة تجهيزة شد أو بواسطة الملزمة مثبتة بأمان أكبر مما لو تم الإمساك بها بواسطة يدك.

◀ **انتظر إلى أن تتوقف العدة الكهربائية عن الحركة قبل أن تضعها جانباً.** قد تتكلم عدة الشغل فتؤدي إلى فقدان السيطرة على العدة الكهربائية.


**احم المرمك من الحرارة، بما فيه التعرض لأشعة الشمس باستمرار ومن النار والماء والرطوبة.** قد يتشكل خطر الانفجار.





## إرشادات الأمان للمهايئ الكهربائي القابسي

◀ وحدة تحويل القدرة بالقابس هذه غير مخصصة لاستعمال الأطفال والأشخاص الذين يعانون من نقص في القدرات البدنية أو الحسية أو العقلية أو الذين ليست لديهم الدراية والمعرفة. لا يمكن استخدام وحدة تحويل القدرة بالقابس هذه من قبل الأطفال من 8 سنوات فأكثر، بالإضافة للأشخاص الذين يعانون من نقص في القدرات البدنية أو الحسية أو العقلية أو الذين ليست لديهم الدراية والمعرفة، إلا في حالة الإشراف عليهم من قبل شخص مسؤول عن سلامتهم أو إذا تم إرشادهم إلى كيفية التعامل الآمن مع وحدة تحويل القدرة بالقابس، وإلى الأخطار المرتبطة بها. وإلا فسيكون هناك خطر نتيجة للاستخدام بشكل خاطئ وقد يتعرضون لإصابات.

◀  أبعد وحدة تحويل القدرة بالقابس عن الأمطار أو الرطوبة. يزداد خطر الصدمات الكهربائية إن تسرب الماء إلى داخل وحدة تحويل القدرة بالقابس.

◀ حافظ على نظافة وحدة تحويل القدرة بالقابس. حيث يكون هناك خطر حدوث صدمة كهربائية من جراء تعرضها للاتساخ.

◀ افحص وحدة تحويل القدرة بالقابس قبل كل استخدام. لا تستخدم وحدة تحويل القدرة بالقابس إذا اكتشفت وجود أضرار بها. لا تفتح وحدة تحويل القدرة بالقابس بنفسك ولا تقم بإصلاحها إلا لدى فنيين متخصصين مؤهلين مع الاقتصار على استخدام قطع الغيار الأصلية. تزيد وحدات تحويل القدرة بالقابس التالفة من خطر التعرض لصدمة كهربائية.

## وصف المنتج والأداء

اقرأ جميع إرشادات الأمان والتعليمات. إن ارتكاب الأخطاء عند تطبيق إرشادات الأمان والتعليمات، قد يؤدي إلى حدوث صدمات الكهربائية



أو إلى نشوب الحرائق و/أو الإصابة بجروح خطيرة. يرجى الرجوع إلى الصور الموجودة في الجزء الأول من دليل التشغيل.

## الاستعمال المخصص

لقد خصصت العدة الكهربائية لربط وفك اللوالب.

### الأجزاء المصورة

يشير ترقيم الأجزاء المصورة إلى رسوم العدة الكهربائية الموجودة في صفحة الرسوم التخطيطية.

- (1) لقمة ربط لوالب<sup>(A)</sup>
  - (2) حاضن العدة
  - (3) غطاء مطاطي
  - (4) مبین حالة شمن المرمك
  - (5) مفتاح تحويل اتجاه الدوران
  - (6) عروة تعليق
  - (7) ملامسات الشمن
  - (8) مفتاح التشغيل والإطفاء
  - (9) ضوء العمل
  - (10) مقبض (موضع مسك معزول)
  - (11) مقبس USB مايكرو
  - (12) كابل الشمن
  - (13) المهائئ الكهربائي القابسي
  - (14) الملحق اللا تمرکزي<sup>(A)</sup>
  - (15) الملحق الزاوي<sup>(A)</sup>
  - (16) حلقة فك الإقفال<sup>(A)</sup>
- (A) لا يتضمن إطار التوريد الاعتيادي التوابع المصورة أو المشروحة. تجد التوابع الكاملة في برنامجنا للتوابع.

### البيانات الفنية

مفك آلي عامل بمرمك		IXO	
رقم الصنف		3 603 JC7 0..	
		3 603 JC7 1..	
الجهد الاسمي	فلط=	3,6	
عدد اللفات اللاحملي	دقيقة <sup>1</sup>	0-215	

مفك آلي عامل بمركم		
4,5/3,0	نيوتن متر	عزم الدوران الأقصى بحالة ربط لوالب قاسية/ليننة حسب ISO 5393
5	مم	القطر الأقصى للوالب
0,34	كجم	الوزن حسب EPTA-Procedure 01:2014
0 ... +45	م°	درجة الحرارة المحيطة الموصى بها عند الشحن
5	فلط	جهد الشحن
1000	ملي أمبير	أقصى تيار شحن
-20 ... +50	م°	درجة الحرارة المسموح بها عند التشغيل <sup>(C B) A)</sup> وعند التخزين
<b>أيونات الليثيوم</b>		<b>مركم</b>
1,5	أمبير ساعة	السعة
5,4	واط ساعة	الطاقة
1		عدد خلايا المركم
<b>المهايئ الكهربائي القاسي</b>		
<b>SAX)) 716 120 609 2</b> <b>2 609 120 717 (SAO)</b> <b>(2 609 120 718 (UK</b>		رقم الصنف (5 فلط، 1000 ملي أمبير)
2	ساعة	أقصى مدة شحن
II/□		فئة الحماية
تجد المزيد من البيانات الفنية تحت الرابط: <a href="http://www.bosch-do-it.com/ecodesign">www.bosch-do-it.com/ecodesign</a>		
<b>كابل الشحن</b>		
1 607 000 CG9		رقم الصنف
<b>وحدة شحن</b>		

IXO

مفك آلي عامل بمركم

1 600 A01 B58

رقم الصنف

1 600 A01 AU1

1 600 A02 1YZ

(A) تقوم خاصية الحماية من السخونة المفرطة بإيقاف العدة الكهربائية في درجات الحرارة < +65° م.

(B) مُقاس عند درجة حرارة 20 - 25 °م

(C) قدرة محدودة في درجات الحرارة > 0° م

## التركيب

### شحن المركم (انظر الصورة A)

◀ **اقتصر على استخدام أجهزة الشحن المذكورة في المواصفات الفنية.** أجهزة الشحن هذه دون غيرها هي المتوائمة مع مركم أيونات الليثيوم المستخدم في عدتك الكهربائية.

◀ **انتبه إلى جهد الشبكة الكهربائية!** يجب أن يتطابق جهد منبع التيار مع المعلومات المذكورة على لافتة طراز جهاز الشحن. يمكن أن يتم تشغيل أجهزة الشحن المحددة بجهد 230 فلت و 220 فلت أيضا.

**ملحوظة:** يتم تسليم المركم وهو بحالة شحن جزئي. لضمان قدرة أداء المركم الكاملة، يتوجب شحن المركم في تجهيزة الشحن بشكل كامل قبل الاستعمال لأول مرة.

يمكن أن يتم شحن مركم أيونات الليثيوم في أي وقت، دون أن يقلل ذلك من فترة صلاحيته. لا يتسبب قطع عملية الشحن في الإضرار بالمركم.

لقد تمّ وقاية مركم أيونات الليثيوم من التفريغ الشديد بواسطة واقية الخلايا الإلكترونية، " (ECP) Electronic Cell Protection". يتمّ إطفاء العدة الكهربائية بواسطة قارئة وقائية عندما يفرغ المركم؛ لن تتحرك عدة الشغل عندئذ.

◀ **لا تتابع الضغط على مفتاح التشغيل والإطفاء بعد انطفاء العدة الكهربائية بشكل آلي.** فقد يتلف المركم.

**مبين حالة شحن المركم أثناء التشغيل**

يشير مبين حالة شحن المركم (4) إلى حالة الشحن عندما تكون العدة الكهربائية مشغلة.

السعة	لمبة LED
100-60 %	ضوء مستمر 3 x أخضر
60-30 %	ضوء مستمر 2 x أخضر
30-10 %	ضوء مستمر 1 x أخضر
10-0 %	ضوء وماض 1 x أخضر

للشحن ضع كابل الشحن (12) في المقبس بالجانب السفلي للمقبض وبالمهايئ الكهربائي القابسي (13). ثم أدخل المهايئ الكهربائي القابسي (13) في المقبس.

### مبين حالة شحن المرمك أثناء الشحن

يشير مبين حالة شحن المرمك (4) إلى مدى تقدم عملية الشحن. أثناء عملية الشحن يومض المبين.

السعة	لمبة LED
30-0 %	ضوء وماض بطيء 1 x أخضر
60-30 %	ضوء وماض بطيء 2 x أخضر
100-60 %	ضوء وماض بطيء 3 x أخضر
100 %	ضوء مستمر 3 x أخضر

أثناء الشحن يتعرض المقبض اليدوي بالعدة الكهربائية للسخونة. وهذا الأمر طبيعي. يرجى فصل جهاز الشحن عن الشبكة الكهربائية عند عدم الاستعمال لفترة طويلة. لا يمكن استخدام العدة الكهربائية أثناء عملية الشحن، أي أنها غير مصابة بتلف إن لم تكن تعمل أثناء عملية الشحن. تراعى الملاحظات الخاصة بالتخلص من العدد.

### ◀ حماية الشاحن من الرطوبة!

العدة الكهربائية مجهزة بواقية فرط تحميل. في الاستعمال المطابق للتعليمات لا يمكن تعريض العدة الكهربائية للتحميل الزائد. في حالة التحميل الزائد يتم فصل العدة الكهربائية من قبل وحدة التحكم الإلكتروني. في هذه الحالة قم بفصل العدة الكهربائية، ثم قم بإعادة تشغيلها.

### استبدال العدد (انظر الصورة B)

◀ لا تستخدم لقم ربط اللوالب المزدوجة التي يزيد طولها عن 25 مم.

قم بتركيب لقمة مفك البراغي (1) في حاضن العدة مباشرة (2).

## ملحق الكامنة اللامركزية/الملحق الزاوي (انظر الصور F - C)

**إرشاد:** العدة الكهربائية غير مناسبة للاستخدام مع ملحق قس المشائش (1 600 A00 10D).

يسمح لك الملحق اللامركزي (14) بربط اللوالب قرب الحواف.  
يسمح لك الملحق الزاوي (15) بربط اللوالب بالأماكن صعبة المنال.

### التركيب (انظر الصور C - D)

لكي تقوم بتركيب الملحقات ينبغي أن تفك الغطاء المطاطي (3) بسحبه نحو الأمام. يمكنك الآن أن تركيب الملحقات من خلال كبسها. كما يمكن تركيب الملحقات بعد إدارتها بمقدار 45° في كل مرة.

### الفك (انظر الصور E - F)

لكي تقوم بفك الملحقات ينبغي أن تفتل حلقة فك الإقفال (16) باتجاه الدوران ① وأن تسحب الملحق نحو الأمام. قم بتركيب الغطاء المطاطي (3) بعد ذلك من خلال كبسه.

## التشغيل

### بدء التشغيل

#### ضبط اتجاه الدوران

يمكنك أن تغير اتجاه دوران العدة الكهربائية (5) بواسطة مفتاح تغيير اتجاه الدوران. إلا أنه لا يمكن تغييره عندما يكون مفتاح التشغيل والإطفاء (8) مضغوطا.

**دوران اليمين:** لربط اللوالب حرك مفتاح تمويل اتجاه الدوران (5) إلى الأمام حتى النهاية.

**دوران إلى اليسار:** لحل أو فك اللوالب حرك مفتاح تمويل اتجاه الدوران (5) إلى الخلف.

#### التشغيل والإطفاء

لغرض تشغيل العدة الكهربائية اضغط على مفتاح التشغيل والإطفاء (8) وحافظ على إبقائه مضغوطا.

يضيء مصباح العمل (9) عند الضغط على مفتاح التشغيل والإطفاء (8) بشكل جزئي أو كامل ويسمح بإضاءة مكان الشغل إن كانت ظروف الإضاءة غير ملائمة.

لغرض إطفاء العدة الكهربائية اترك مفتاح التشغيل والإطفاء (8).

## ضبط عدد الدوران

يمكنك أن تتحكم بعدد دوران العدة الكهربائية قيد التشغيل دون تدريب، حسب مدى الضغط على مفتاح التشغيل والإطفاء (8). يؤدي الضغط الخفيف على مفتاح التشغيل والإطفاء (8) إلى عدد لفات منخفض. يزداد عدد اللفات بزيادة الضغط.

## تثبيت آلي كامل لمحور الدوران (Auto-Lock)

عند عدم الضغط على مفتاح التشغيل والإطفاء (8) يتم تثبيت محور دوران المثقاب وبذلك حاضن العدة أيضاً. ويسمح ذلك بربط اللوالب حتى لو كان المركم فارغ أو باستخدام العدة الكهربائية بمثابة مفك براغي اعتيادي. < لا تضغط على مفتاح التشغيل والإطفاء (8) لمدة تزيد عن 15 ثانية عند استعصاء محور دوران المثقاب. وإلا، فقد تتعرض العدة الكهربائية للضرر.

## إرشادات العمل

< ضع العدة الكهربائية على اللولب/الصامولة فقط عندما تكون مطفاة. إن عدد الشغل الدوارة قد تنزلق.

## الصيانة والخدمة

### الصيانة والتنظيف

< للعمل بشكل جيد وآمن حافظ دائماً على نظافة العدة الكهربائية وفتحات التهوية.

يرجى التوجه إلى مركز خدمة عملاء معتمد لوكالة Bosch للعدد الكهربائية، إن لم يعد المركم صالحاً للعمل. إذا تطلب الأمر استبدال خط الإمداد، فينبغي أن يتم ذلك من قبل شركة Bosch أو من قبل مركز خدمة الزبائن المعتمد لشركة Bosch للعدد الكهربائية، لتجنب التعرض للمخاطر.

### خدمة العملاء واستشارات الاستخدام

يجب مركز خدمة العملاء على الأسئلة المتعلقة بإصلاح المنتج وصيانته، بالإضافة لقطع الغيار. تجد الرسوم التفصيلية والمعلومات الخاصة بقطع الغيار في الموقع: [www.bosch-pt.com](http://www.bosch-pt.com) يسر فريق Bosch لاستشارات الاستخدام مساعدتك إذا كان لديك أي استفسارات بخصوص منتجاتنا وملحقاتها.

يلزم ذكر رقم الصنف ذو الخانات العشر وفقا للوحة صنع المنتج عند إرسال أية استفسارات أو طلبيات قطع غيار.

## النقل

تخضع مراكم أيونات الليثيوم المركبة لأحكام قانون المواد الخطيرة. يسمح للمستخدم أن يقوم بنقل المراكم على الطرقات دون التقيد بأية شروط إضافية.

عندما يتم إرسالها عن طريق طرف آخر (مثلا: الشحن الجوي أو شركة شحن)، يتوجب التقيد بشروط خاصة بصدد التغليف ووضع العلامات. ينبغي استشارة خبير متخصص بنقل المواد الخطيرة عندما يرغب بتحضير المرمك المراد شحنه في هذه الحالة.

## التخلص من العدة الكهربائية

يجب التخلص من العدة الكهربائية والمركم والتوابع والتغليف بطريقة صديقة للبيئة عن طريق النفايات القابلة لإعادة التصنيع.



لا تلق العدد الكهربائية والمراكم/البطاريات ضمن النفايات المنزلية!



## المراكم/البطاريات:

### مراكم أيونات الليثيوم:

يرجى مراعاة الإرشادات الواردة في جزء النقل (انظر „النقل“، الصفحة 47).

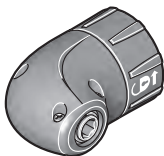
◀ لا يجوز إخراج المراكم المدمجة للتخلص منها إلا من قبل فنيين متخصصين. فقد يتسبب فتح غطاء جسم الجهاز في إتلاف العدة الكهربائية.

إخراج المرمك من العدة الكهربائية استمر في الضغط على العدة الكهربائية إلى أن تفرغ شحنة المرمك بالكامل. قم بفك اللوالب الموجودة بجسم الجهاز واخلع غطاء جسم الجهاز لإخراج المرمك. لمنع حدوث دائرة قصر قم بفصل أطراف توصيل المرمك كل على حدة بشكل متتالي، ثم اعزل الأقطاب. حتى مع الفراغ الكامل لشحنة البطارية توجد قدرة متبقية في المرمك، يمكن أن تتحرر في حالة دائرة القصر.





1 600 A00 1YA  
1 600 A02 OGM



1 600 A00 1Y8  
1 600 A02 OGK



1 600 A02 1YZ