



PHONES

0 (800) 800 130  
(050) 462 0 130  
(063) 462 0 130  
(067) 462 0 130

130  
COM.UA

Internet store of  
autogoods



SKYPE

km-130

CAR RECEIVERS — Receivers • Media receivers and stations • Native receivers • CD/DVD changers • FM-modulators/USB adapters • Flash memory • Facia plates and adapters • Antennas • Accessories |  
CAR AUDIO — Car audio speakers • Amplifiers • Subwoofers • Processors • Crossovers • Headphones • Accessories | TRIP COMPUTERS — Universal computers • Model computers • Accessories |  
GPS NAVIGATORS — Portable GPS • Built-in GPS • GPS modules • GPS trackers • Antennas for GPS navigators • Accessories | VIDEO — DVR • TV sets and monitors • Car TV tuners • Cameras • Videomodules  
• Transcoders • Car TV antennas • Accessories | SECURITY SYSTEMS — Car alarms • Bike alarms • Mechanical blockers • Immobilizers • Sensors • Accessories | OPTIC AND LIGHT — Xenon • Bixenon • Lamps  
• LED • Stroboscopes • Optic and Headlights • Washers • Light, rain sensors • Accessories | PARKTRONICS AND MIRRORS — Rear parktronic • Front parktronic • Combined parktronic • Rear-view mirrors  
• Accessories | HEATING AND COOLING — Seat heaters • Mirrors heaters • Screen-wipers heaters • Engine heaters • Auto-refrigerators • Air conditioning units • Accessories | TUNING — Vibro-isolation  
• Noise-isolation • Tint films • Accessories | ACCESSORIES — Radar-detectors • Handsfree, Bluetooth • Windowlifters • Compressors • Beeps, loudspeakers • Measuring instruments • Cleaners • Car seats  
• Miscellaneous | MOUNTING — Installation kits • Upholstery • Grilles • Tubes • Cable and wire • Tools • Miscellaneous | POWER — Batteries • Converters • Start-charging equipment • Capacitors  
• Accessories | MARINE AUDIO AND ELECTRONICS — Marine receivers • Marine audio speakers • Marine subwoofers • Marine amplifiers • Accessories | CAR CARE PRODUCTS — Additives • Washer fluid •  
Care accessories • Car polish • Flavors • Adhesives and sealants | LIQUID AND OIL — Motor oil • Transmission oil • Brake fluid • Antifreeze • Technical lubricant



In store "130" you can find and buy almost all necessary goods for your auto in Kyiv and other cities, delivery by ground and postal services. Our experienced consultants will provide you with exhaustive information and help you to chose the very particular thing. We are waiting for you at the address

<https://130.com.ua>



# GWS Professional

20-230 H | 22-180 H | 22-230 H | 22-230 JH | 24-180 H | 24-230 H |  
24-230 JH | 24-230 JVX | 26-180 H | 26-230 B | 26-230 H

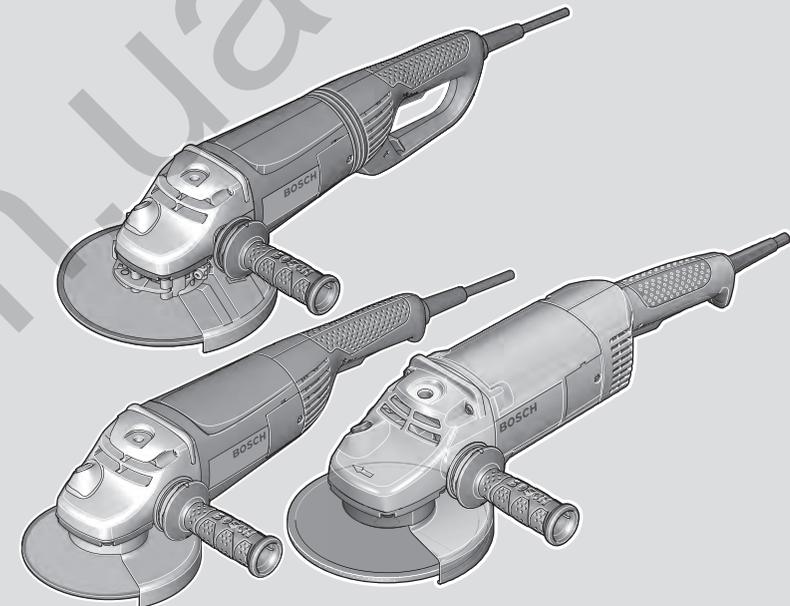
Robert Bosch Power Tools GmbH  
70538 Stuttgart  
GERMANY

[www.bosch-pt.com](http://www.bosch-pt.com)

1 609 92A 5GH (2020.02) O / 105



1 609 92A 5GH



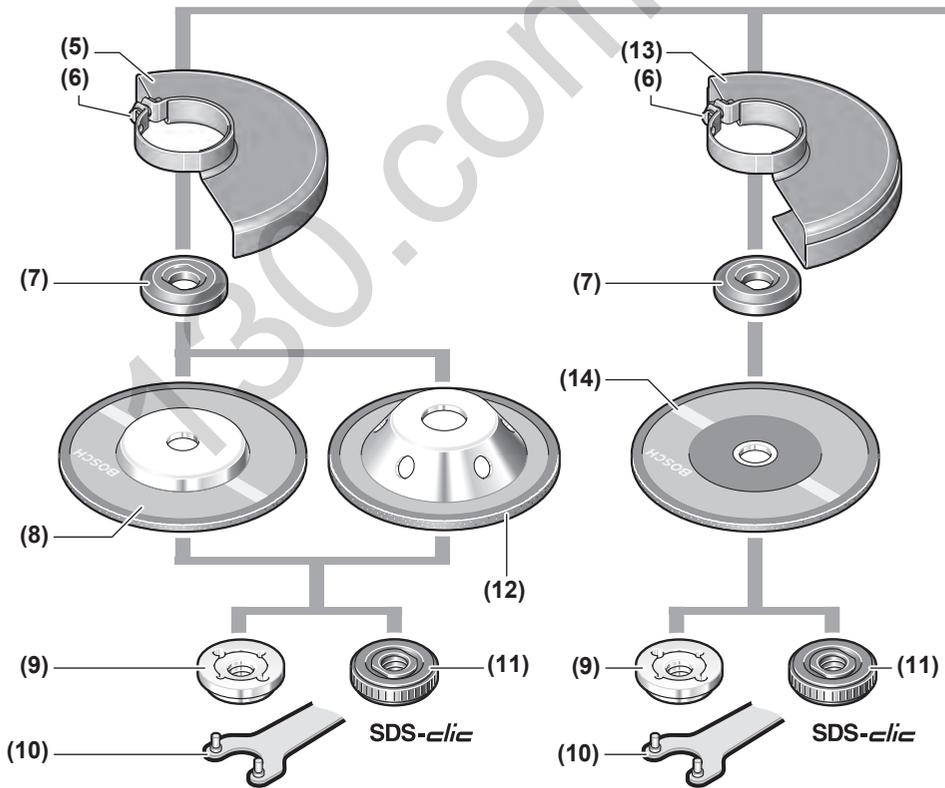
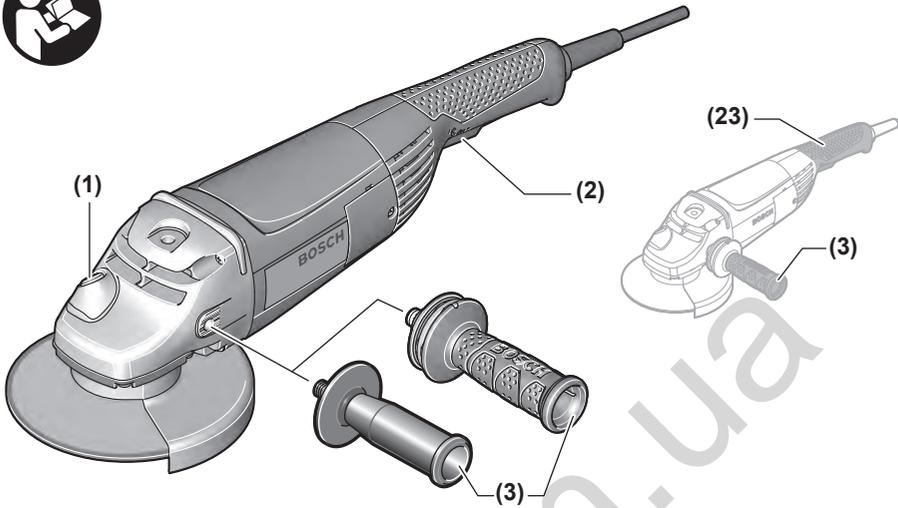
- en** Original instructions
- fr** Notice originale
- tr** Orijinal işletme talimatı
- ru** Оригинальное руководство по эксплуатации
- uk** Оригінальна інструкція з експлуатації
- kk** Пайдалану нұсқаулығының түпнұсқасы
- ar** دليل التشغيل الأصلي
- fa** دفترچه راهنمای اصلی

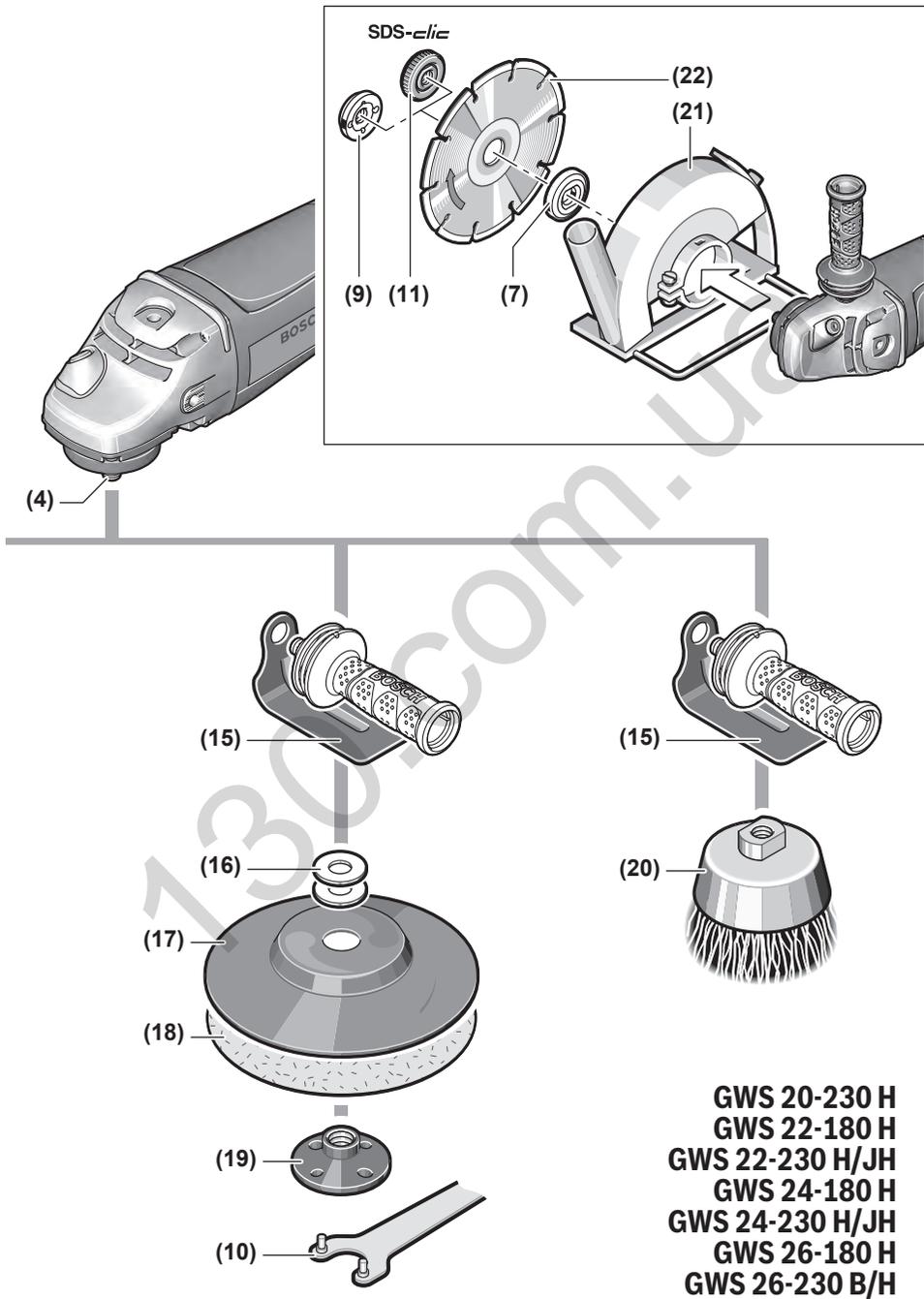


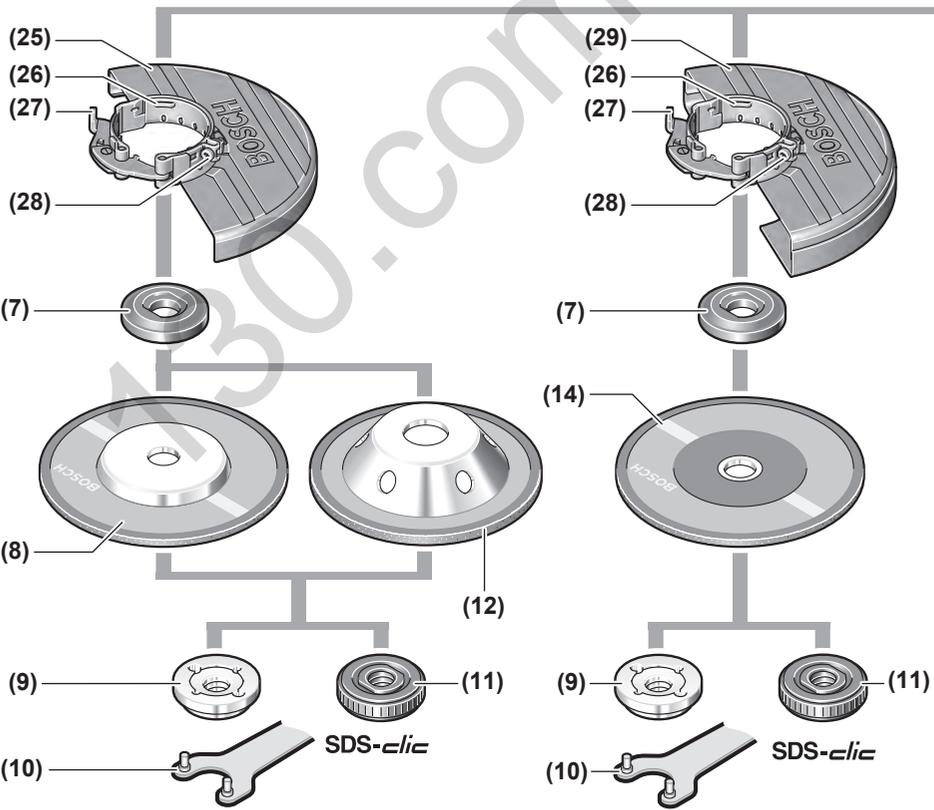
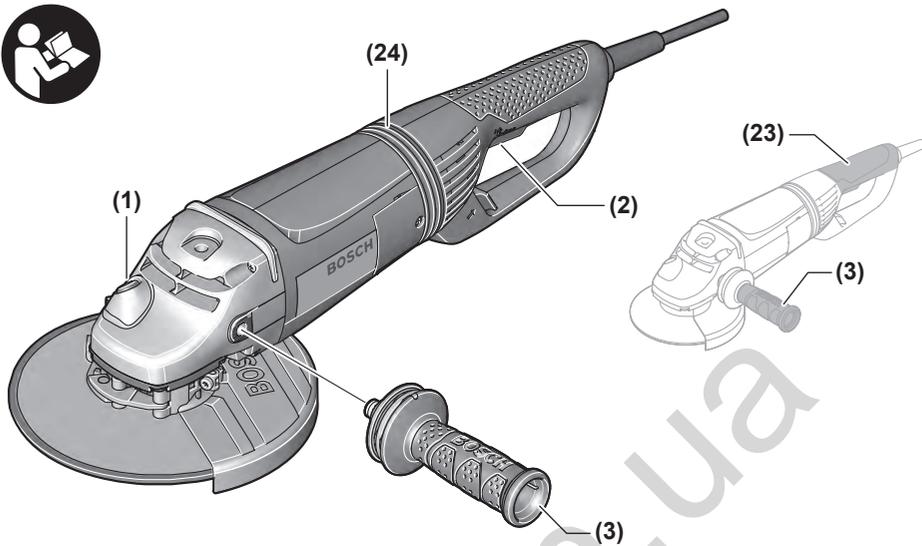
English .....	Page	8
Français .....	Page	18
Türkçe.....	Sayfa	30
Русский .....	Страница	41
Українська .....	Сторінка	54
Қазақ .....	Бет	66
عربي .....	الصفحة	79
فارسی .....	صفحه	91

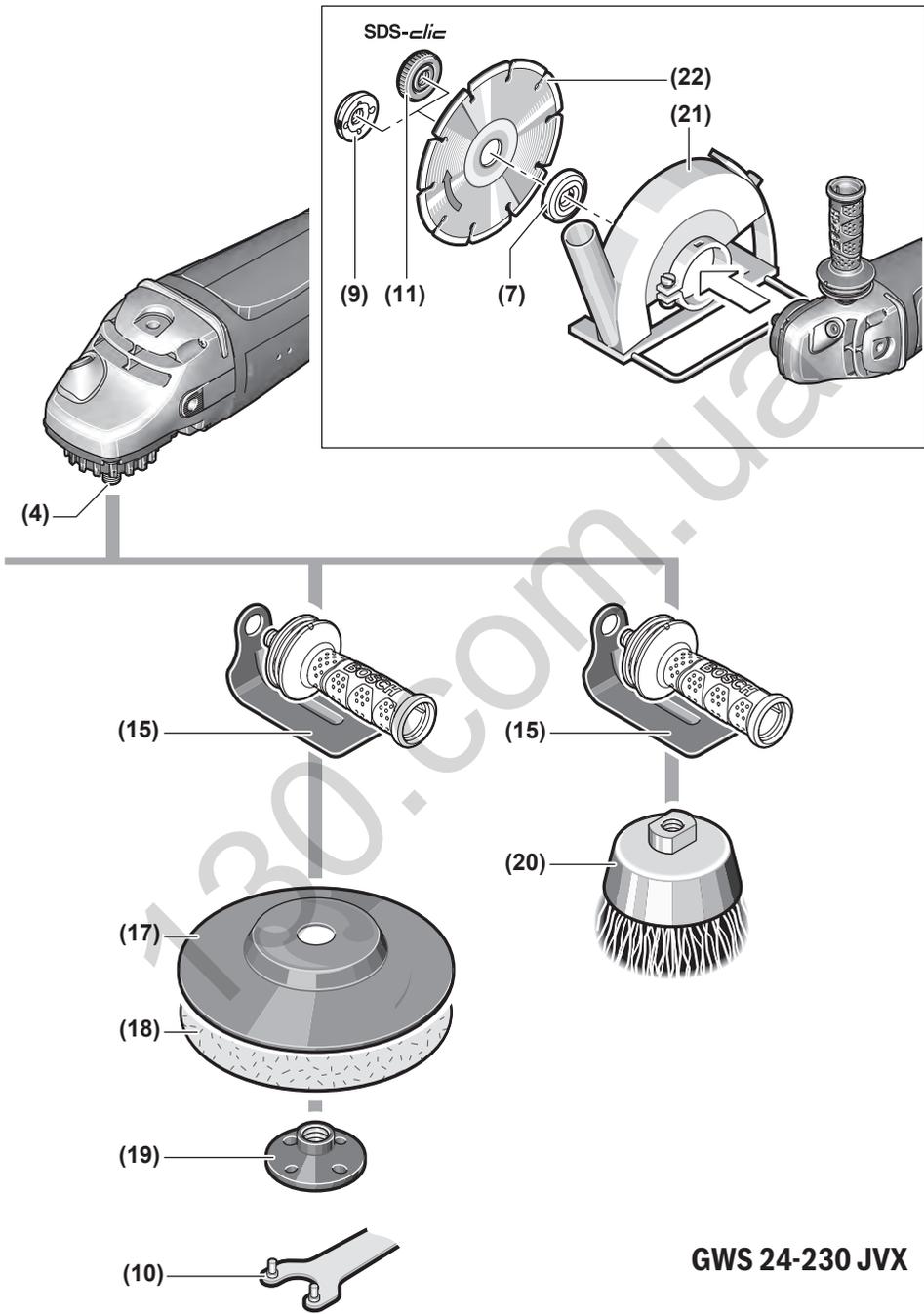
130.com.ua

130.com.ua









**GWS 24-230 JVX**

# English

## Safety instructions

### General Power Tool Safety Warnings

**⚠ WARNING** Read all safety warnings and all instructions. Failure to follow the warnings and instructions may result in electric shock, fire and/or serious injury.

#### Save all warnings and instructions for future reference.

The term "power tool" in the warnings refers to your mains-operated (corded) power tool or battery-operated (cordless) power tool.

#### Work area safety

- ▶ **Keep work area clean and well lit.** Cluttered or dark areas invite accidents.
- ▶ **Do not operate power tools in explosive atmospheres, such as in the presence of flammable liquids, gases or dust.** Power tools create sparks which may ignite the dust or fumes.
- ▶ **Keep children and bystanders away while operating a power tool.** Distractions can cause you to lose control.

#### Electrical safety

- ▶ **Power tool plugs must match the outlet. Never modify the plug in any way. Do not use any adapter plugs with earthed (grounded) power tools.** Unmodified plugs and matching outlets will reduce risk of electric shock.
- ▶ **Avoid body contact with earthed or grounded surfaces, such as pipes, radiators, ranges and refrigerators.** There is an increased risk of electric shock if your body is earthed or grounded.
- ▶ **Do not expose power tools to rain or wet conditions.** Water entering a power tool will increase the risk of electric shock.
- ▶ **Do not abuse the cord. Never use the cord for carrying, pulling or unplugging the power tool. Keep cord away from heat, oil, sharp edges or moving parts.** Damaged or entangled cords increase the risk of electric shock.
- ▶ **When operating a power tool outdoors, use an extension cord suitable for outdoor use.** Use of a cord suitable for outdoor use reduces the risk of electric shock.
- ▶ **If operating a power tool in a damp location is unavoidable, use a residual current device (RCD) protected supply.** Use of an RCD reduces the risk of electric shock.

#### Personal safety

- ▶ **Stay alert, watch what you are doing and use common sense when operating a power tool. Do not use a power tool while you are tired or under the influence of drugs, alcohol or medication.** A moment of inattention while operating power tools may result in serious personal injury.

- ▶ **Use personal protective equipment. Always wear eye protection.** Protective equipment such as dust mask, non-skid safety shoes, hard hat, or hearing protection used for appropriate conditions will reduce personal injuries.
- ▶ **Prevent unintentional starting. Ensure the switch is in the off-position before connecting to power source and/or battery pack, picking up or carrying the tool.** Carrying power tools with your finger on the switch or energising power tools that have the switch on invites accidents.
- ▶ **Remove any adjusting key or wrench before turning the power tool on.** A wrench or a key left attached to a rotating part of the power tool may result in personal injury.
- ▶ **Do not overreach. Keep proper footing and balance at all times.** This enables better control of the power tool in unexpected situations.
- ▶ **Dress properly. Do not wear loose clothing or jewellery. Keep your hair, clothing and gloves away from moving parts.** Loose clothes, jewellery or long hair can be caught in moving parts.
- ▶ **If devices are provided for the connection of dust extraction and collection facilities, ensure these are connected and properly used.** Use of dust collection can reduce dust-related hazards.

#### Power tool use and care

- ▶ **Do not force the power tool. Use the correct power tool for your application.** The correct power tool will do the job better and safer at the rate for which it was designed.
- ▶ **Do not use the power tool if the switch does not turn it on and off.** Any power tool that cannot be controlled with the switch is dangerous and must be repaired.
- ▶ **Disconnect the plug from the power source and/or the battery pack from the power tool before making any adjustments, changing accessories, or storing power tools.** Such preventive safety measures reduce the risk of starting the power tool accidentally.
- ▶ **Store idle power tools out of the reach of children and do not allow persons unfamiliar with the power tool or these instructions to operate the power tool.** Power tools are dangerous in the hands of untrained users.
- ▶ **Maintain power tools. Check for misalignment or binding of moving parts, breakage of parts and any other condition that may affect the power tool's operation. If damaged, have the power tool repaired before use.** Many accidents are caused by poorly maintained power tools.
- ▶ **Keep cutting tools sharp and clean.** Properly maintained cutting tools with sharp cutting edges are less likely to bind and are easier to control.
- ▶ **Use the power tool, accessories and tool bits etc. in accordance with these instructions, taking into account the working conditions and the work to be performed.**

formed. Use of the power tool for operations different from those intended could result in a hazardous situation.

#### Service

- ▶ **Have your power tool serviced by a qualified repair person using only identical replacement parts.** This will ensure that the safety of the power tool is maintained.

#### Safety information for the angle grinder

##### Safety Warnings common for Grinding, Sanding, Wire Brushing or Abrasive Cutting Off operations

- ▶ **This power tool is intended to function as a grinder, sander, wire brush or cut-off tool. Read all safety warnings, instructions, illustrations and specifications provided with this power tool.** Failure to follow all instructions listed below may result in electric shock, fire and/or serious injury.
- ▶ **Operations such as polishing are not recommended to be performed with this power tool.** Operations for which the power tool was not designed may create a hazard and cause personal injury.
- ▶ **Do not use accessories which are not specifically designed and recommended by the tool manufacturer.** Just because the accessory can be attached to your power tool, it does not assure safe operation.
- ▶ **The rated speed of the accessory must be at least equal to the maximum speed marked on the power tool.** Accessories running faster than their rated speed can break and fly apart.
- ▶ **The outside diameter and the thickness of your accessory must be within the capacity rating of your power tool.** Incorrectly sized accessories cannot be adequately guarded or controlled.
- ▶ **Threaded mounting of accessories must match the grinder spindle thread. For accessories mounted by flanges, the arbour hole of the accessory must fit the locating diameter of the flange.** Accessories that do not match the mounting hardware of the power tool will run out of balance, vibrate excessively and may cause loss of control.
- ▶ **Do not use a damaged accessory. Before each use inspect the accessory such as abrasive wheels for chips and cracks, backing pad for cracks, tear or excess wear, wire brush for loose or cracked wires. If power tool or accessory is dropped, inspect for damage or install an undamaged accessory. After inspecting and installing an accessory, position yourself and bystanders away from the plane of the rotating accessory and run the power tool at maximum no load speed for one minute.** Damaged accessories will normally break apart during this test time.
- ▶ **Wear personal protective equipment. Depending on application, use face shield, safety goggles or safety glasses. As appropriate, wear dust mask, hearing protectors, gloves and workshop apron capable of stopping small abrasive or workpiece fragments.** The eye protection must be capable of stopping flying debris gen-

erated by various operations. The dust mask or respirator must be capable of filtering particles generated by your operation. Prolonged exposure to high intensity noise may cause hearing loss.

- ▶ **Keep bystanders a safe distance away from work area. Anyone entering the work area must wear personal protective equipment.** Fragments of workpiece or of a broken accessory may fly away and cause injury beyond immediate area of operation.
- ▶ **Hold the power tool by insulated gripping surfaces only, when performing an operation where the cutting accessory may contact hidden wiring or its own cord.** Cutting accessory contacting a "live" wire may make exposed metal parts of the power tool "live" and could give the operator an electric shock.
- ▶ **Position the cord clear of the spinning accessory.** If you lose control, the cord may be cut or snagged and your hand or arm may be pulled into the spinning accessory.
- ▶ **Never lay the power tool down until the accessory has come to a complete stop.** The spinning accessory may grab the surface and pull the power tool out of your control.
- ▶ **Do not run the power tool while carrying it at your side.** Accidental contact with the spinning accessory could snag your clothing, pulling the accessory into your body.
- ▶ **Regularly clean the power tool's air vents.** The motor's fan will draw the dust inside the housing and excessive accumulation of powdered metal may cause electrical hazards.
- ▶ **Do not operate the power tool near flammable materials.** Sparks could ignite these materials.
- ▶ **Do not use accessories that require liquid coolants.** Using water or other liquid coolants may result in electrocution or shock.

#### Kickback and Related Warnings

Kickback is a sudden reaction to a pinched or snagged rotating wheel, backing pad, brush or any other accessory. Pinching or snagging causes rapid stalling of the rotating accessory which in turn causes the uncontrolled power tool to be forced in the direction opposite of the accessory's rotation at the point of the binding.

For example, if an abrasive wheel is snagged or pinched by the workpiece, the edge of the wheel that is entering into the pinch point can dig into the surface of the material causing the wheel to climb out or kick out. The wheel may either jump toward or away from the operator, depending on direction of the wheel's movement at the point of pinching. Abrasive wheels may also break under these conditions.

Kickback is the result of power tool misuse and/or incorrect operating procedures or conditions and can be avoided by taking proper precautions as given below.

- ▶ **Maintain a firm grip on the power tool and position your body and arm to allow you to resist kickback forces. Always use auxiliary handle, if provided, for maximum control over kickback or torque reaction**

during start-up. The operator can control torque reactions or kickback forces, if proper precautions are taken.

- ▶ **Never place your hand near the rotating accessory.** Accessory may kickback over your hand.
- ▶ **Do not position your body in the area where power tool will move if kickback occurs.** Kickback will propel the tool in direction opposite to the wheel's movement at the point of snagging.
- ▶ **Use special care when working corners, sharp edges etc. Avoid bouncing and snagging the accessory.** Corners, sharp edges or bouncing have a tendency to snag the rotating accessory and cause loss of control or kickback.
- ▶ **Do not attach a saw chain woodcarving blade or toothed saw blade.** Such blades create frequent kickback and loss of control.

#### Safety Warnings specific for Grinding and Abrasive Cutting-Off operations

- ▶ **Use only wheel types that are recommended for your power tool and the specific guard designed for the selected wheel.** Wheels for which the power tool was not designed cannot be adequately guarded and are unsafe.
- ▶ **The grinding surface of centre depressed wheels must be mounted below the plane of the guard lip.** An improperly mounted wheel that projects through the plane of the guard lip cannot be adequately protected.
- ▶ **The guard must be securely attached to the power tool and positioned for maximum safety, so the least amount of wheel is exposed towards the operator.** The guard helps to protect operator from broken wheel fragments, accidental contact with wheel and sparks that could ignite clothing.
- ▶ **Wheels must be used only for recommended applications. For example: do not grind with the side of cut-off wheel.** Abrasive cut-off wheels are intended for peripheral grinding, side forces applied to these wheels may cause them to shatter.
- ▶ **Always use undamaged wheel flanges that are of correct size and shape for your selected wheel.** Proper wheel flanges support the wheel thus reducing the possibility of wheel breakage. Flanges for cut-off wheels may be different from grinding wheel flanges.
- ▶ **Do not use worn down wheels from larger power tools.** Wheel intended for larger power tool is not suitable for the higher speed of a smaller tool and may burst.

#### Additional Safety Warnings specific for Abrasive Cutting Off operations

- ▶ **Do not "jam" the cut-off wheel or apply excessive pressure. Do not attempt to make an excessive depth of cut.** Overstressing the wheel increases the loading and susceptibility to twisting or binding of the wheel in the cut and the possibility of kickback or wheel breakage.
- ▶ **Do not position your body in line with and behind the rotating wheel.** When the wheel, at the point of operation, is moving away from your body, the possible kick-

back may propel the spinning wheel and the power tool directly at you.

- ▶ **When wheel is binding or when interrupting a cut for any reason, switch off the power tool and hold the power tool motionless until the wheel comes to a complete stop. Never attempt to remove the cut-off wheel from the cut while the wheel is in motion otherwise kickback may occur.** Investigate and take corrective action to eliminate the cause of wheel binding.
- ▶ **Do not restart the cutting operation in the workpiece. Let the wheel reach full speed and carefully re-enter the cut.** The wheel may bind, walk up or kickback if the power tool is restarted in the workpiece.
- ▶ **Support panels or any oversized workpiece to minimize the risk of wheel pinching and kickback.** Large workpieces tend to sag under their own weight. Supports must be placed under the workpiece near the line of cut and near the edge of the workpiece on both sides of the wheel.
- ▶ **Use extra caution when making a "pocket cut" into existing walls or other blind areas.** The protruding wheel may cut gas or water pipes, electrical wiring or objects that can cause kickback.

#### Safety Warnings specific for Sanding operations

- ▶ **Do not use excessively oversized sanding disc paper. Follow manufacturers recommendations, when selecting sanding paper.** Larger sanding paper extending beyond the sanding pad presents a laceration hazard and may cause snagging, tearing of the disc, or kickback.

#### Safety Warnings specific for Wire Brushing operations

- ▶ **Be aware that wire bristles are thrown by the brush even during ordinary operation. Do not overstress the wires by applying excessive load to the brush.** The wire bristles can easily penetrate light clothing and/or skin.
- ▶ **If the use of a guard is recommended for wire brushing, do not allow any interference of the wire wheel or brush with the guard.** Wire wheel or brush may expand in diameter due to work load and centrifugal forces.

#### Additional safety information

**Wear safety goggles.**



- ▶ **Use suitable detectors to determine if utility lines are hidden in the work area or call the local utility company for assistance.** Contact with electric lines can lead to fire and electric shock. Damaging a gas line can lead to explosion. Penetrating a water line causes property damage or may cause an electric shock.
- ▶ **Do not touch grinding and cutting discs until they have cooled down.** The discs can become very hot while working.
- ▶ **Release the On/Off switch and set it to the off position when the power supply is interrupted, e. g., in case of**

**a power failure or when the mains plug is pulled.** This prevents uncontrolled restarting.

- **Secure the workpiece.** A workpiece clamped with clamping devices or in a vice is held more secure than by hand.

#### Products sold in GB only:

Your product is fitted with an BS 1363/A approved electric plug with internal fuse (ASTA approved to BS 1362).

If the plug is not suitable for your socket outlets, it should be cut off and an appropriate plug fitted in its place by an authorised customer service agent. The replacement plug should have the same fuse rating as the original plug.

The severed plug must be disposed of to avoid a possible shock hazard and should never be inserted into a mains socket elsewhere.

## Product Description and Specifications



#### Read all the safety and general instructions.

Failure to observe the safety and general instructions may result in electric shock, fire and/or serious injury.

Please observe the illustrations at the beginning of this operating manual.

#### Intended use

The power tool is intended for cutting, roughing and brushing metal and stone materials without the use of water.

A special protective guard for cutting must be used when cutting bonded abrasives.

Sufficient dust extraction must be provided when cutting stone.

With approved abrasive tools, the power tool can be used for sanding with sanding discs.

#### Product Features

The numbering of the product features refers to the diagram of the power tool on the graphics page.

#### Technical Data

Angle grinder		GWS 22-180 H	GWS 22-230 H	GWS 22-230 JH	GWS 24-180 H
Article number		3 601 H81 1..	3 601 H82 1..	3 601 H82 2..	3 601 H83 1..
Rated power input	W	2200	2200	2200	2400
Power output	W	1500	1500	1500	1600
Rated speed	min <sup>-1</sup>	8500	6600	6600	8500
Max. grinding disc diameter	mm	180	230	230	180
Grinding spindle thread		M 14	M 14	M 14	M 14
Max. thread length of grinding spindle	mm	25	25	25	25
Restart protection		-	-	●	-
Starting current limitation		-	-	●	-
Rotatable auxiliary handle		-	-	-	-
Run-out brake		-	-	-	-

- (1) Spindle lock button
- (2) On/off switch
- (3) Auxiliary handle (insulated gripping surface)
- (4) Grinding spindle
- (5) Protective guard for grinding (clamping screw)
- (6) Locking screw for protective guard
- (7) Mounting flange with O-ring
- (8) Grinding disc<sup>A)</sup>
- (9) Clamping nut
- (10) Two-pin spanner for clamping nut<sup>A)</sup>
- (11) Quick-clamping nut *SDS-clic*<sup>A)</sup>
- (12) Carbide grinding head<sup>A)</sup>
- (13) Protective guard for cutting (clamping screw<sup>A)</sup>)
- (14) Cutting disc<sup>A)</sup>
- (15) Hand guard<sup>A)</sup>
- (16) Spacer discs<sup>A)</sup>
- (17) Rubber sanding pad<sup>A)</sup>
- (18) Abrasive disc<sup>A)</sup>
- (19) Round nut<sup>A)</sup>
- (20) Cup brush<sup>A)</sup>
- (21) Extraction guard for cutting with a cutting guide<sup>A)</sup>
- (22) Diamond cutting disc<sup>A)</sup>
- (23) Handle (insulated gripping surface)
- (24) Vibration damping
- (25) Protective guard for grinding
- (26) Coding cam
- (27) Clamping lever for protective guard
- (28) Adjusting screw for protective guard
- (29) Protective guard for cutting

A) **Accessories shown or described are not included with the product as standard. You can find the complete selection of accessories in our accessories range.**

**Angle grinder** GWS 22-180 H GWS 22-230 H GWS 22-230 JH GWS 24-180 H

Weight according to EPTA-Procedure 01:2014

– with low-vibration auxiliary handle	kg	5.1	5.1	5.3	5.0
– with standard auxiliary handle	kg	5.0	5.0	5.2	4.9
Protection class		□/II	□/II	□/II	□/II

**Angle grinder** GWS 24-230 H GWS 24-230 JH GWS 26-180 H

Article number		<b>3 601 H84 1..</b>	<b>3 601 H84 2..</b>	<b>3 601 H55 1..</b>
Rated power input	W	2400	2400	2600
Power output	W	1600	1600	1700
Rated speed	min <sup>-1</sup>	6600	6600	8500
Max. grinding disc diameter	mm	230	230	180
Grinding spindle thread		M 14	M 14	M 14
Max. thread length of grinding spindle	mm	25	25	25
Restart protection		–	●	–
Starting current limitation		–	●	–
Rotatable auxiliary handle		–	–	–
Run-out brake		–	–	–

Weight according to EPTA-Procedure 01:2014

– with low-vibration auxiliary handle	kg	5.2	5.3	6.0
– with standard auxiliary handle	kg	5.1	5.2	5.9
Protection class		□/II	□/II	□/II

**Angle grinder** GWS 26-230 B GWS 26-230 H GWS 26-230 H

Article number		<b>3 601 H56 3..</b>	<b>3 601 H56 1..</b>	<b>3 601 H56 L..</b>
Rated power input	W	2600	2600	2600
Power output	W	1700	1700	1700
Rated speed	min <sup>-1</sup>	6600	6600	6600
Max. grinding disc diameter	mm	230	230	230
Grinding spindle thread		M 14	M 14	M 14
Max. thread length of grinding spindle	mm	25	25	25
Restart protection		–	–	–
Starting current limitation		–	–	–
Rotatable auxiliary handle		●	–	–
Run-out brake		–	–	–

Weight according to EPTA-Procedure 01:2014

– with low-vibration auxiliary handle	kg	6.2	6.1	6.1
– with standard auxiliary handle	kg	6.1	6.0	6.0
Protection class		□/II	□/II	□/II

**Angle grinder** GWS 20–230 H GWS 24-230 JVX

Article number		<b>3 601 H50 1..</b>	<b>3 601 H64 5..</b>
Rated power input	W	2000	2400
Power output	W	1250	1600
Rated speed	min <sup>-1</sup>	6600	6600
Max. grinding disc diameter	mm	230	230
Grinding spindle thread		M 14	M 14

Angle grinder		GWS 20–230 H	GWS 24-230 JVX
Max. thread length of grinding spindle	mm	25	18
Restart protection		–	–
Starting current limitation		–	●
Rotatable auxiliary handle		–	●
Run-out brake		–	●
Weight according to EPTA-Procedure 01:2014			
– with low-vibration auxiliary handle	kg	5.2	6.5
– with standard auxiliary handle	kg	5.1	6.4
Protection class		□ / II	□ / II

The specifications apply to a rated voltage [U] of 230 V. These specifications may vary at different voltages and in country-specific models.

When switching on power tools with starting current limitation, the voltage drops briefly. Interference with other equipment may occur in the event of unfavourable conditions in the electricity supply. Malfunctions are not expected if the impedances in the electricity supply are below 0.25 ohms.

## Noise/Vibration Information

Noise emission values determined according to **EN 60745-2-3**.

Typically the A-weighted noise level of the power tool are: **93** dB(A); sound power level **104** dB(A). Uncertainty K = **3** dB.

### Wear hearing protection!

Vibration total values  $a_h$  (triax vector sum) and uncertainty K determined according to **EN 60745-2-3**:

Surface grinding (roughing):

$a_h = 7.5 \text{ m/s}^2$ ,  $K = 1.5 \text{ m/s}^2$ ,

Disc sanding:

$a_h = 4.5 \text{ m/s}^2$ ,  $K = 1.5 \text{ m/s}^2$ .

The vibration level given in these instructions has been measured in accordance with a standardised measuring procedure and may be used to compare power tools. It can also be used for a preliminary estimation of exposure to vibration.

The stated vibration level applies to the main applications of the power tool. However, if the power tool is used for different applications, with different application tools or poorly maintained, the vibration level may differ. This can significantly increase the exposure to vibration over the total working period.

To estimate the exposure to vibration accurately, the times when the tool is switched off or when it is running but not actually being used should also be taken into account. This can significantly reduce the exposure to vibration over the total working period.

Implement additional safety measures to protect the operator from the effects of vibration, such as servicing the power tool and application tools, keeping the hands warm, and organising workflows correctly.

## Fitting

### Fitting protective equipment

- ▶ Pull the plug out of the socket before carrying out any work on the power tool.

**Note:** If the grinding disc breaks during operation or the holding fixtures on the protective guard/power tool become damaged, the power tool must be sent to the after-sales service immediately; see the "After-Sales Service and Application Service" section for addresses.

### Protective guard for grinding (GWS 24-230 JVX)

Open the clamping lever (27). Place the protective guard with the coding cam (26) in the coding groove on the spindle collar so that the shoulder of the protective guard is sitting on the flange of the power tool and then rotate the protective guard to the required position. Close the clamping lever (27).

- ▶ Adjust the protective guard (25) such that sparking in the direction of the operator is prevented.

You can change the clamping force of the fastener on the protective guard by loosening or tightening the adjusting screw (28). Make sure that the protective guard is held firmly in place and check this regularly.

**Note:** The coding cams on the protective guard ensure that only a protective guard that is suitable for the power tool can be fitted.

### Protective guard for grinding (clamping screw)

(GWS 20-230 H / GWS 22-180 H /  
GWS 22-230 H/JH / GWS 24-180 H /  
GWS 24-230 H/JH / GWS 26-180 H /  
GWS 26-230 B/H)

Place the protective guard (5) on the spindle collar. Adjust the position of the protective guard (5) to the requirements of the operation and lock the protective guard (5) with the locking screw (6).

- ▶ Adjust the protective guard (5) such that sparking in the direction of the operator is prevented.

### Protective guard for cutting

- ▶ Always use the protective guard for cutting (13)/(29) when cutting bonded abrasives.
- ▶ Provide sufficient dust extraction when cutting stone.

The protective guard for cutting (13)/(29) is fitted in the same way as the protective guard for grinding.

#### Extraction guard for cutting with a guide block

The extraction guard for cutting with a guide block (21) is fitted in the same way as the protective guard for grinding.

#### Side handle

- ▶ **Do not operate your power tool without the side handle (3).**

Screw the side handle (3) on the left or right of the machine head depending on how you are working.

#### Vibration damping (GWS 24-230 JVX)



The integrated vibration damping function reduces the generated vibration.

- ▶ **Do not continue to use the power tool if the damping element is damaged.**

#### Hand guard

- ▶ **Always fit the hand guard (15) when working with the rubber sanding plate (17) or with the cup brush/disc brush/flap disc.**

Attach the hand guard (15) to the side handle (3).

#### Fitting the abrasive tools

- ▶ **Pull the plug out of the socket before carrying out any work on the power tool.**
- ▶ **Do not touch grinding and cutting discs until they have cooled down.** The discs can become very hot while working.

Clean the grinding spindle (4) and all the parts to be fitted.

Lock the grinding spindle with the spindle lock button (1) before clamping and releasing the abrasive tools.

- ▶ **Do not press the spindle lock button while the grinding spindle is moving.** The power tool may become damaged if you do this.

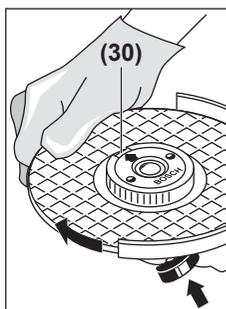
#### Quick-clamping nut *SDS-clic*

To change the abrasive tool easily without having to use any additional tools, you can use the quick-clamping nut (11) instead of the clamping nut (9).

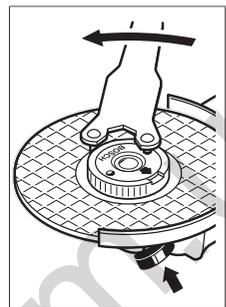
- ▶ **The quick-clamping nut (11) may be used only for grinding or cutting discs.**

**Only use quick-clamping nuts (11) that are in good working order and not damaged.**

**When screwing on, make sure that the printed side of the quick-clamping nut (11) is not facing the grinding disc; the arrow must be pointing towards the index mark (30).**



Press the spindle lock button (1) to lock the grinding spindle. To tighten the quick-clamping nut, turn the grinding disc firmly clockwise.



If the quick-clamping nut has been attached correctly and is not damaged, you can loosen it by hand by turning the knurled ring anticlockwise. **If the quick-clamping nut is stuck, do not attempt to loosen it with pliers – always use the two-pin spanner.** Position the two-pin spanner as shown in the figure.

#### Grinding/cutting disc

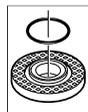
Pay attention to the dimensions of the abrasive tools. The diameter of the hole must match that of the mounting flange. Do not use an adapter or reducer.

When using diamond cutting discs, ensure that the arrow indicating the direction of rotation on the diamond cutting disc matches the direction of rotation of the power tool (see the direction of rotation arrow on the machine head).

See the graphics page for assembling instructions.

To fasten the grinding/cutting disc, screw on the clamping nut (9) and tighten with the two-pin spanner; see the "Quick-clamping nut *SDS-clic*", page 14) section.

- ▶ **After fitting the abrasive tool, check that the abrasive tool is fitted correctly and can turn freely before switching on the power tool. Make sure that the abrasive tool does not brush against the protective guard or other parts.**



A plastic part (O-ring) is fitted around the centering collar in the mounting flange (7). **If the O-ring is missing or damaged**, the mounting flange (7) must be replaced before operation can resume.

#### Flap disc

- ▶ **Always fit the hand guard (15) when working with the flap disc.**

#### Rubber sanding pad

- ▶ **Always fit the hand guard (15) when working with the rubber sanding pad (17).**

See the graphics page for fitting instructions.

Before fitting the rubber sanding pad (17), place the two spacer discs (16) on the grinding spindle (4).

(GWS 20-230 H / GWS 22-180 H / GWS 22-230 H/JH / GWS 24-180 H / GWS 24-230 H/JH / GWS 26-180 H / GWS 26-230 B/H).

Screw on the round nut (19) and tighten with the two-pin spanner.

**Note:** Expect more force to be required to loosen the round nut (19) (GWS 24-230 JVX).

#### Cup brush/disc brush

- ▶ **Always fit the hand guard (15) when working with the cup brush or disc brush.**

See the graphics page for fitting instructions.

The cup brush/disc brush must be screwed onto the grinding spindle until it rests firmly against the grinding spindle flange at the end of the grinding spindle thread. Tighten the cup brush/disc brush with an open-ended spanner.

**Note:** Expect more force to be required to loosen the grinding tool (GWS 24-230 JVX).

#### Approved abrasive tools

You can use all the abrasive tools mentioned in these operating instructions.

The permissible speed [ $\text{min}^{-1}$ ] or the circumferential speed [ $\text{m/s}$ ] of the abrasive tools used must at least match the values given in the table.

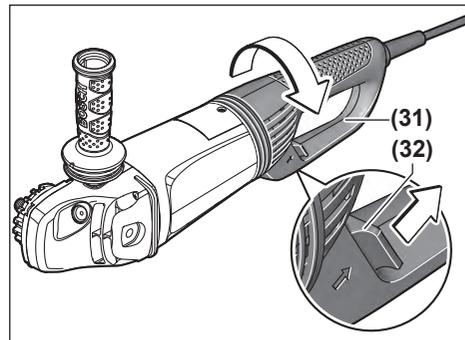
It is therefore important to observe the permissible **rotational/circumferential speed** on the label of the abrasive tool.

	max. [mm]		[mm]		
	D	b	d	[ $\text{min}^{-1}$ ]	[ $\text{m/s}$ ]
	180	8	22.2	8500	80
	230	8	22.2	6600	80
	180	–	–	8500	80
	230	–	–	6600	80
	100	30	M 14	8500	45

#### Turning the main handle

(GWS 24-230 JVX / GWS 26-230 B)

- ▶ **Pull the plug out of the socket before carrying out any work on the power tool.**



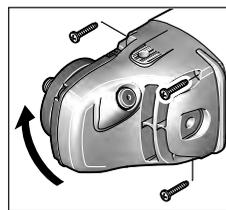
The main handle (31) can be rotated 90° to the left or right relative to the motor housing. This enables the on/off switch to be brought into a more convenient position for particular working situations, such as cutting operations using the extraction guard for cutting with a guide block (21) or for left-handed persons.

Pull back the handle release (32) in the direction of the arrow while simultaneously turning the main handle (31) until it clicks into the required position.

#### Rotating the machine head

(GWS 20-230 H / GWS 22-180 H / GWS 22-230 H/JH / GWS 24-180 H / GWS 24-230 H/JH / GWS 26-180 H / GWS 26-230 B/H)

- ▶ **Pull the plug out of the socket before carrying out any work on the power tool.**



The machine head can be rotated in 90° increments. This enables the on/off switch to be brought into a more convenient position for particular working situations, such as cutting operations using the extraction guard for cutting with a guide block (21) or for left-handed persons.

Completely unscrew the four screws. Rotate the machine head carefully, **without removing it from the housing**, into the new position. Screw in and retighten the four screws.

#### Dust/Chip Extraction

The dust from materials such as lead paint, some types of wood, minerals and metal can be harmful to human health. Touching or breathing in this dust can trigger allergic reactions and/or cause respiratory illnesses in the user or in people in the near vicinity.

Certain dusts, such as oak or beech dust, are classified as carcinogenic, especially in conjunction with wood treatment additives (chromate, wood preservative). Materials containing asbestos may only be machined by specialists.

- Use a dust extraction system that is suitable for the material wherever possible.

- Provide good ventilation at the workplace.
  - It is advisable to wear a P2 filter class breathing mask.
- The regulations on the material being machined that apply in the country of use must be observed.

► **Avoid dust accumulation at the workplace.** Dust can easily ignite.

## Operation

### Start-up

► **Pay attention to the mains voltage. The voltage of the power source must match the voltage specified on the rating plate of the power tool. Power tools marked with 230 V can also be operated with 220 V.**

When operating the power tool using a mobile generator that does not have sufficient reserve capacity or an adequate voltage control system with inrush current boost converter, loss of performance or atypical behaviour may occur upon switch-on.

Please check the suitability of the power generator you are using, particularly with regard to the mains voltage and frequency.

► **Products that are only sold in AUS and NZ:** Use a residual current device (RCD) with a nominal residual current of 30 mA or less.

### Switching on/off

To **start** the power tool, push the on/off switch (2) forward and then press it down.

To **lock** the on/off switch (2) in position, push the on/off switch (2) further forward.

To **switch off** the power tool, release the on/off switch (2); or, if the switch is locked, briefly press the on/off switch (2) and then release it.

### Switch without locking mechanism (country-specific):

To **start** the power tool, push the on/off switch (2) forward and then press it down.

To **switch off** the power tool, release the on/off switch (2).

► **Always check abrasive tools before using them. The abrasive tool must be fitted properly and be able to move freely. Carry out a test run for at least one minute with no load. Do not use abrasive tools that are damaged, run untrue or vibrate during use.** Damaged abrasive tools can burst apart and cause injuries.

### Run-out brake (GWS 24-230 JVX)



The power tool is fitted with the Bosch Brake System, a patented electromechanical run-out brake. When the power supply is switched off or interrupted, the abrasive tool is brought to a complete stop within a few seconds. This means that the run-out time is 70% shorter than for angle grinders without a run-out brake and enables the power tool to be set down sooner.

**Note:** If the braking effect deteriorates noticeably, the run-out brake has failed. The power tool must be sent to the after-sales service immediately; see the "After-Sales Service and Application Service" section for addresses.

### Restart protection

#### (GWS 22-230 JH/GWS 24-230 JH)

The restart protection feature prevents the power tool from starting unintentionally after the power supply to it has been interrupted.

To **restart** the tool, set the on/off switch (2) to the "off" position and then switch the power tool on again.

### Starting current limitation

#### (GWS 22-230 JH / GWS 24-230 JH/JVX)

The electronic starting current limitation feature restricts the power of the power tool when it is switched on and enables operation using a 16 A fuse.

**Note:** If the power tool runs at full speed immediately after being switched on, this means that the starting current limitation and restarting protection mechanisms have failed. The power tool must be sent to the after-sales service immediately; see the "After-Sales Service and Application Service" section for addresses.

### Working Advice

- **Pull the plug out of the socket before carrying out any work on the power tool.**
- **Exercise caution when cutting slots in structural walls; see the "Information on structural design" section.**
- **Clamp the workpiece if it is not secure under its own weight.**
- **Do not load the power tool so heavily that it comes to a stop.**
- **If the power tool has been subjected to a heavy load, continue to run it at no-load for several minutes to cool down the accessory.**
- **Do not touch grinding and cutting discs until they have cooled down.** The discs can become very hot while working.
- **Do not use the power tool with a cut-off stand.**

**Note:** Remove the plug from the socket when not using the tool. When the power tool is plugged in, mains voltage is present and the tool consumes a small amount of electricity, even if switched off.

### Rough grinding

► **Never use cutting discs for rough grinding.**

The best rough grinding results are achieved with a set angle of 30° to 40°. Move the power tool back and forth with moderate pressure. This will ensure that the workpiece does not become too hot or discolour and that grooves are not formed.

### Flap Disc

With the flap disc (accessory), curved surfaces and profiles can be worked. Flap discs have a considerably higher ser-

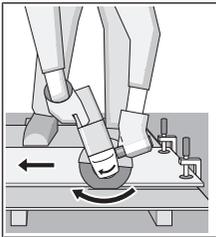
vice life, lower noise levels and lower sanding temperatures than conventional sanding sheets.

### Cutting metal

**Always use the protective guard for cutting (13)/(29) when cutting bonded abrasives.**

When carrying out abrasive cutting, use a moderate feed that is suited to the material being machined. Do not exert pressure on the cutting disc and do not tilt or swing the power tool.

Do not attempt to reduce the speed of a cutting disc coming to a stop by applying pressure from the side.



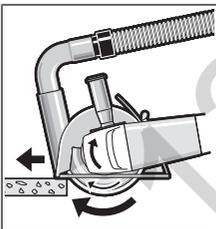
The power tool must always work in an up-grinding motion. Otherwise, there is a risk that it will be pushed **uncontrolled** out of the cut. For best results when cutting profiles and rectangular tubing, start at the smallest cross section.

### Cutting stone

- ▶ Provide sufficient dust extraction when cutting stone.
- ▶ Wear a dust mask.
- ▶ The power tool may be used only for dry cutting/grinding.

For best results when cutting stone, use a diamond cutting disc.

When using the extraction guard for cutting with a guide block (21), the vacuum cleaner must be approved for vacuuming stone dust. Suitable vacuum cleaners are available from Bosch.



Switch on the power tool and position it with the front part of the guide block on the workpiece. Move the power tool with a moderate feed motion that is suited to the material being machined.

When cutting especially hard materials such as con-

crete with a high pebble content, the diamond cutting disc can overheat and become damaged as a result. This is clearly indicated by circular sparking, rotating with the diamond cutting disc.

If this happens, stop cutting and allow the diamond cutting disc to cool down by running the power tool for a short time at maximum speed with no load.

Working noticeably slower and with circular sparking indicate that the diamond cutting disc that has become dull. You can sharpen the disc by briefly cutting into abrasive material (e.g. lime-sand brick).

### Information on structural design

Slots in load-bearing walls are subject to DIN 1053 part 1 or country-specific regulations. These regulations must be ob-

served under all circumstances. Seek advice from the responsible structural engineer, architect or construction supervisor before starting work.

## Maintenance and Service

### Maintenance and cleaning

- ▶ Pull the plug out of the socket before carrying out any work on the power tool.
- ▶ To ensure safe and efficient operation, always keep the power tool and the ventilation slots clean.
- ▶ In extreme conditions, always use a dust extractor if possible. Blow out ventilation slots frequently and install a residual current device (RCD) upstream. When machining metals, conductive dust can settle inside the power tool, which can affect its protective insulation.

Store and handle the accessories carefully.

In order to avoid safety hazards, if the power supply cord needs to be replaced, this must be done by **Bosch** or by an after-sales service centre that is authorised to repair **Bosch** power tools.

### After-Sales Service and Application Service

Our after-sales service responds to your questions concerning maintenance and repair of your product as well as spare parts. You can find explosion drawings and information on spare parts at: [www.bosch-pt.com](http://www.bosch-pt.com)

The Bosch product use advice team will be happy to help you with any questions about our products and their accessories.

In all correspondence and spare parts orders, please always include the 10-digit article number given on the nameplate of the product.

### Australia, New Zealand and Pacific Islands

Robert Bosch Australia Pty. Ltd.

Power Tools

Locked Bag 66

Clayton South VIC 3169

Customer Contact Center

Inside Australia:

Phone: (01300) 307044

Fax: (01300) 307045

Inside New Zealand:

Phone: (0800) 543353

Fax: (0800) 428570

Outside AU and NZ:

Phone: +61 3 95415555

[www.bosch-pt.com.au](http://www.bosch-pt.com.au)

[www.bosch-pt.co.nz](http://www.bosch-pt.co.nz)

### Great Britain

Robert Bosch Ltd. (B.S.C.)

P.O. Box 98

Broadwater Park

North Orbital Road

Denham Uxbridge

UB 9 5HJ

At [www.bosch-pt.co.uk](http://www.bosch-pt.co.uk) you can order spare parts or arrange the collection of a product in need of servicing or repair.  
Tel. Service: (0344) 7360109  
E-Mail: [boschservicecentre@bosch.com](mailto:boschservicecentre@bosch.com)

#### Ireland

Origo Ltd.  
Unit 23 Magna Drive  
Magna Business Park  
City West  
Dublin 24  
Tel. Service: (01) 4666700  
Fax: (01) 4666888

#### Republic of South Africa

##### Customer service

Hotline: (011) 6519600

##### Gauteng – BSC Service Centre

35 Roper Street, New Centre  
Johannesburg  
Tel.: (011) 4939375  
Fax: (011) 4930126  
E-Mail: [bsctools@icon.co.za](mailto:bsctools@icon.co.za)

##### KZN – BSC Service Centre

Unit E, Almar Centre  
143 Crompton Street  
Pinetown  
Tel.: (031) 7012120  
Fax: (031) 7012446  
E-Mail: [bsc.dur@za.bosch.com](mailto:bsc.dur@za.bosch.com)

##### Western Cape – BSC Service Centre

Democracy Way, Prosperity Park  
Milnerton  
Tel.: (021) 5512577  
Fax: (021) 5513223  
E-Mail: [bsc@zsd.co.za](mailto:bsc@zsd.co.za)

##### Bosch Headquarters

Midrand, Gauteng  
Tel.: (011) 6519600  
Fax: (011) 6519880  
E-Mail: [rbsa-hq.pts@za.bosch.com](mailto:rbsa-hq.pts@za.bosch.com)

##### Armenia, Azerbaijan, Georgia

Robert Bosch Ltd.  
David Agmashenebeli ave. 61  
0102 Tbilisi, Georgia  
Tel. +995322510073  
[www.bosch.com](http://www.bosch.com)

##### Kyrgyzstan, Mongolia, Tajikistan, Turkmenistan, Uzbekistan

TOO "Robert Bosch" Power Tools, After Sales Service  
Muratbaev Ave., 180  
050012, Almaty, Kazakhstan  
Service Email: [service.pt.ka@bosch.com](mailto:service.pt.ka@bosch.com)  
Official Website: [www.bosch.com](http://www.bosch.com), [www.bosch-pt.com](http://www.bosch-pt.com)

#### Disposal

The power tool, accessories and packaging should be recycled in an environmentally friendly manner.



Do not dispose of power tools along with household waste.

#### Only for EU countries:

According to the European Directive 2012/19/EU on Waste Electrical and Electronic Equipment and its implementation into national law, power tools that are no longer usable must be collected separately and disposed of in an environmentally friendly manner.

## Français

### Consignes de sécurité

#### Avertissements de sécurité généraux pour l'outil

**AVERTISSEMENT** Lire tous les avertissements de sécurité et toutes les instructions.

Ne pas suivre les avertissements et instructions peut donner lieu à un choc électrique, un incendie et/ou une blessure sérieuse.

**Conservation de tous les avertissements et toutes les instructions pour pouvoir s'y reporter ultérieurement.**

Le terme «outil» dans les avertissements fait référence à votre outil électrique alimenté par le secteur (avec cordon d'alimentation) ou votre outil fonctionnant sur batterie (sans cordon d'alimentation).

#### Sécurité de la zone de travail

- ▶ **Conservation de la zone de travail propre et bien éclairée.** Les zones en désordre ou sombres sont propices aux accidents.
- ▶ **Ne pas faire fonctionner les outils électriques en atmosphère explosive, par exemple en présence de liquides inflammables, de gaz ou de poussières.** Les outils électriques produisent des étincelles qui peuvent enflammer les poussières ou les fumées.
- ▶ **Maintenir les enfants et les personnes présentes à l'écart pendant l'utilisation de l'outil.** Les distractions peuvent vous faire perdre le contrôle de l'outil.

#### Sécurité électrique

- ▶ **Il faut que les fiches de l'outil électrique soient adaptées au socle. Ne jamais modifier la fiche de quelque façon que ce soit. Ne pas utiliser d'adaptateurs avec des outils à branchement de terre.** Des fiches non modifiées et des socles adaptés réduiront le risque de choc électrique.
- ▶ **Éviter tout contact du corps avec des surfaces reliées à la terre telles que les tuyaux, les radiateurs, les cuisinières et les réfrigérateurs.** Il existe un risque accru de choc électrique si votre corps est relié à la terre.

- ▶ **Ne pas exposer les outils à la pluie ou à des conditions humides.** La pénétration d'eau à l'intérieur d'un outil augmentera le risque de choc électrique.
- ▶ **Ne pas maltraiter le cordon. Ne jamais utiliser le cordon pour porter, tirer ou débrancher l'outil. Maintenir le cordon à l'écart de la chaleur, du lubrifiant, des arêtes ou des parties en mouvement.** Des cordons endommagés ou emmêlés augmentent le risque de choc électrique.
- ▶ **Lorsqu'on utilise un outil à l'extérieur, utiliser un prolongateur adapté à l'utilisation extérieure.** L'utilisation d'un cordon adapté à l'utilisation extérieure réduit le risque de choc électrique.
- ▶ **Si l'usage d'un outil dans un emplacement humide est inévitable, utiliser une alimentation protégée par un dispositif à courant différentiel résiduel (RCD).** L'usage d'un RCD réduit le risque de choc électrique.

#### Sécurité des personnes

- ▶ **Rester vigilant, regarder ce que vous êtes en train de faire et faire preuve de bon sens dans votre utilisation de l'outil. Ne pas utiliser un outil lorsque vous êtes fatigué ou sous l'emprise de drogues, d'alcool ou de médicaments.** Un moment d'inattention en cours d'utilisation d'un outil peut entraîner des blessures graves des personnes.
- ▶ **Utiliser un équipement de sécurité. Toujours porter une protection pour les yeux.** Les équipements de sécurité tels que les masques contre les poussières, les chaussures de sécurité antidérapantes, les casques ou les protections acoustiques utilisés pour les conditions appropriées réduiront les blessures de personnes.
- ▶ **Éviter tout démarrage intempestif. S'assurer que l'interrupteur est en position arrêt avant de brancher l'outil au secteur et/ou au bloc de batteries, de le ramasser ou de le porter.** Porter les outils en ayant le doigt sur l'interrupteur ou brancher des outils dont l'interrupteur est en position marche est source d'accidents.
- ▶ **Retirer toute clé de réglage avant de mettre l'outil en marche.** Une clé laissée fixée sur une partie tournante de l'outil peut donner lieu à des blessures de personnes.
- ▶ **Ne pas se précipiter. Garder une position et un équilibre adaptés à tout moment.** Cela permet un meilleur contrôle de l'outil dans des situations inattendues.
- ▶ **S'habiller de manière adaptée. Ne pas porter de vêtements amples ou de bijoux. Garder les cheveux, les vêtements et les gants à distance des parties en mouvement.** Des vêtements amples, des bijoux ou les cheveux longs peuvent être pris dans des parties en mouvement.
- ▶ **Si des dispositifs sont fournis pour le raccordement d'équipements pour l'extraction et la récupération des poussières, s'assurer qu'ils sont connectés et correctement utilisés.** Utiliser des collecteurs de poussière peut réduire les risques dus aux poussières.

#### Utilisation et entretien de l'outil

- ▶ **Ne pas forcer l'outil. Utiliser l'outil adapté à votre application.** L'outil adapté réalisera mieux le travail et de manière plus sûre au régime pour lequel il a été construit.
- ▶ **Ne pas utiliser l'outil si l'interrupteur ne permet pas de passer de l'état de marche à arrêt et vice versa.** Tout outil qui ne peut pas être commandé par l'interrupteur est dangereux et il faut le réparer.
- ▶ **Débrancher la fiche de la source d'alimentation en courant et/ou le bloc de batteries de l'outil avant tout réglage, changement d'accessoires ou avant de ranger l'outil.** De telles mesures de sécurité préventives réduisent le risque de démarrage accidentel de l'outil.
- ▶ **Conserver les outils à l'arrêt hors de la portée des enfants et ne pas permettre à des personnes ne connaissant pas l'outil ou les présentes instructions de le faire fonctionner.** Les outils sont dangereux entre les mains d'utilisateurs novices.
- ▶ **Observer la maintenance de l'outil. Vérifier qu'il n'y a pas de mauvais alignement ou de blocage des parties mobiles, des pièces cassées ou toute autre condition pouvant affecter le fonctionnement de l'outil. En cas de dommages, faire réparer l'outil avant de l'utiliser.** De nombreux accidents sont dus à des outils mal entretenus.
- ▶ **Garder affûtés et propres les outils permettant de couper.** Des outils destinés à couper correctement entretenus avec des pièces coupantes tranchantes sont moins susceptibles de bloquer et sont plus faciles à contrôler.
- ▶ **Utiliser l'outil, les accessoires et les lames etc., conformément à ces instructions, en tenant compte des conditions de travail et du travail à réaliser.** L'utilisation de l'outil pour des opérations différentes de celles prévues pourrait donner lieu à des situations dangereuses.

#### Maintenance et entretien

- ▶ **Faire entretenir l'outil par un réparateur qualifié utilisant uniquement des pièces de rechange identiques.** Cela assurera que la sécurité de l'outil est maintenue.

#### Instructions de sécurité pour meuleuses angulaires

**Avertissements de sécurité communs pour les opérations de meulage, de ponçage, de brossage métallique ou de tronçonnage par meule abrasive**

- ▶ **Cet outil électrique est destiné à fonctionner comme meuleuse, ponceuse, brosse métallique ou outil à tronçonner. Lire toutes les mises en garde de sécurité, les instructions, les illustrations et les spécifications fournies avec cet outil électrique.** Le fait de ne pas suivre toutes les instructions données ci-dessous peut provoquer un choc électrique, un incendie et/ou une blessure grave.
- ▶ **Les opérations de lustrage ne sont pas recommandées avec cet outil électrique.** Les opérations pour lesquelles

l'outil électrique n'a pas été conçu peuvent provoquer un danger et causer un accident corporel.

- ▶ **Ne pas utiliser d'accessoires non conçus spécifiquement et recommandés par le fabricant d'outils.** Le simple fait que l'accessoire puisse être fixé à votre outil électrique ne garantit pas un fonctionnement en toute sécurité.
- ▶ **La vitesse assignée de l'accessoire doit être au moins égale à la vitesse maximale indiquée sur l'outil électrique.** Les accessoires fonctionnant plus vite que leur vitesse assignée peuvent se rompre et voler en éclat.
- ▶ **Le diamètre extérieur et l'épaisseur de votre accessoire doivent se situer dans le cadre des caractéristiques de capacité de votre outil électrique.** Les accessoires dimensionnés de façon incorrecte ne peuvent pas être protégés ou commandés de manière appropriée.
- ▶ **Le montage fileté d'accessoires doit être adapté au filet de l'arbre de la meuleuse. Pour les accessoires montés avec des flasques, l'alésage central de l'accessoire doit s'adapter correctement au diamètre du flasque.** Les accessoires qui ne correspondent pas aux éléments de montage de l'outil électrique seront en déséquilibre, vibreront de manière excessive et pourront provoquer une perte de contrôle.
- ▶ **Ne pas utiliser d'accessoire endommagé. Avant chaque utilisation examiner les accessoires comme les meules abrasives pour détecter la présence éventuelle de copeaux et fissures, les patins d'appui pour détecter des traces éventuelles de fissures, de déchirure ou d'usure excessive, ainsi que les brosses métalliques pour détecter des fils desserrés ou fissurés. Si l'outil électrique ou l'accessoire a subi une chute, examiner les dommages éventuels ou installer un accessoire non endommagé. Après examen et installation d'un accessoire, placez-vous ainsi que les personnes présentes à distance du plan de l'accessoire rotatif et faire marcher l'outil électrique à vitesse maximale à vide pendant 1 min.** Les accessoires endommagés seront normalement détruits pendant cette période d'essai.
- ▶ **Porter un équipement de protection individuelle. En fonction de l'application, utiliser un écran facial, des lunettes de sécurité ou des verres de sécurité. Le cas échéant, utiliser un masque antipoussières, des protections auditives, des gants et un tablier capables d'arrêter les petits fragments abrasifs ou des pièces à usiner.** La protection oculaire doit être capable d'arrêter les débris volants produits par les diverses opérations. Le masque antipoussières ou le respirateur doit être capable de filtrer les particules produites par vos travaux. L'exposition prolongée aux bruits de forte intensité peut provoquer une perte de l'audition.
- ▶ **Maintenir les personnes présentes à une distance de sécurité par rapport à la zone de travail. Toute personne entrant dans la zone de travail doit porter un équipement de protection individuelle.** Des fragments de pièce à usiner ou d'un accessoire cassé peuvent être

projetés et provoquer des blessures en dehors de la zone immédiate d'opération.

- ▶ **Tenir l'outil uniquement par les surfaces de préhension isolantes, pendant les opérations au cours desquelles l'accessoire coupant peut être en contact avec des conducteurs cachés ou avec son propre câble.** Le contact de l'accessoire coupant avec un fil «sous tension» peut mettre «sous tension» les parties métalliques exposées de l'outil électrique et provoquer un choc électrique sur l'opérateur.
- ▶ **Placer le câble éloigné de l'accessoire de rotation.** Si vous perdez le contrôle, le câble peut être coupé ou subir un accroc et votre main ou votre bras peut être tiré dans l'accessoire de rotation.
- ▶ **Ne jamais reposer l'outil électrique avant que l'accessoire n'ait atteint un arrêt complet.** L'accessoire de rotation peut agripper la surface et arracher l'outil électrique hors de votre contrôle.
- ▶ **Ne pas faire fonctionner l'outil électrique en le portant sur le côté.** Un contact accidentel avec l'accessoire de rotation pourrait accrocher vos vêtements et attirer l'accessoire sur vous.
- ▶ **Nettoyer régulièrement les orifices d'aération de l'outil électrique.** Le ventilateur du moteur attirera la poussière à l'intérieur du boîtier et une accumulation excessive de poudre de métal peut provoquer des dangers électriques.
- ▶ **Ne pas faire fonctionner l'outil électrique à proximité de matériaux inflammables.** Des étincelles pourraient enflammer ces matériaux.
- ▶ **Ne pas utiliser d'accessoires qui nécessitent des réfrigérants fluides.** L'utilisation d'eau ou d'autres réfrigérants fluides peut aboutir à une électrocution ou un choc électrique.

#### Rebonds et mises en garde correspondantes

Le rebond est une réaction soudaine au pincement ou à l'accrochage d'une meule rotative, d'un patin d'appui, d'une brosse ou de tout autre accessoire. Le pincement ou l'accrochage provoque un blocage rapide de l'accessoire en rotation qui, à son tour, contraint l'outil électrique hors de contrôle dans le sens opposé de rotation de l'accessoire au point du grippage.

Par exemple, si une meule abrasive est accrochée ou pincée par la pièce à usiner, le bord de la meule qui entre dans le point de pincement peut creuser la surface du matériau, provoquant des sauts ou l'expulsion de la meule. La meule peut sauter en direction de l'opérateur ou encore en s'en éloignant, selon le sens du mouvement de la meule au point de pincement. Les meules abrasives peuvent également se rompre dans ces conditions.

Le rebond résulte d'un mauvais usage de l'outil et/ou de procédures ou de conditions de fonctionnement incorrectes et peut être évité en prenant les précautions appropriées spécifiées ci-dessous.

- ▶ **Maintenir fermement l'outil électrique et placer votre corps et vos bras pour vous permettre de résister aux forces de rebond. Toujours utiliser une poignée auxi-**

laire, le cas échéant, pour une maîtrise maximale du rebond ou de la réaction de couple au cours du démarrage. L'opérateur peut maîtriser les couples de réaction ou les forces de rebond, si les précautions qui s'imposent sont prises.

- ▶ **Ne jamais placer votre main à proximité de l'accessoire en rotation.** L'accessoire peut effectuer un rebond sur votre main.
- ▶ **Ne pas vous placer dans la zone où l'outil électrique se déplacera en cas de rebond.** Le rebond pousse l'outil dans le sens opposé au mouvement de la meule au point d'accrochage.
- ▶ **Apporter un soin particulier lors de travaux dans les coins, les arêtes vives etc. Éviter les rebondissements et les accrochages de l'accessoire.** Les coins, les arêtes vives ou les rebondissements ont tendance à accrocher l'accessoire en rotation et à provoquer une perte de contrôle ou un rebond.
- ▶ **Ne pas fixer de chaîne coupante, de lame de sculpture sur bois, de chaîne coupante ni de lame de scie dentée.** De telles lames provoquent des rebonds fréquents et des pertes de contrôle.

#### Mises en garde de sécurité spécifiques aux opérations de meulage et de tronçonnage abrasif

- ▶ **Utiliser uniquement des types de meules recommandés pour votre outil électrique et le protecteur spécifique conçu pour la meule choisie.** Les meules pour lesquelles l'outil électrique n'a pas été conçu ne peuvent pas être protégées de façon satisfaisante et sont dangereuses.
- ▶ **La surface de meulage des meules à moyeu déporté doit être montée sous le plan de la lèvre du protecteur.** Une meule montée de manière incorrecte qui dépasse du plan de la lèvre du protecteur ne peut pas être protégée de manière appropriée.
- ▶ **Le protecteur doit être solidement fixé à l'outil électrique et placé en vue d'une sécurité maximale, de sorte que l'opérateur soit exposé le moins possible à la meule.** Le protecteur permet de protéger l'opérateur des fragments de meule cassée, d'un contact accidentel avec la meule et d'étincelles susceptibles d'enflammer les vêtements.
- ▶ **Les meules doivent être utilisées uniquement pour les applications recommandées. Par exemple: ne pas meuler avec le côté de la meule à tronçonner.** Les meules à tronçonner abrasives sont destinées au meulage périphérique, l'application de forces latérales à ces meules peut les briser en éclats.
- ▶ **Toujours utiliser des flasques de meule non endommagés qui sont de taille et de forme correctes pour la meule que vous avez choisie.** Des flasques de meule appropriés supportent la meule réduisant ainsi la possibilité de rupture de la meule. Les flasques pour les meules à tronçonner peuvent être différents des autres flasques de meule.

- ▶ **Ne pas utiliser de meules usées d'outils électriques plus grands.** La meule destinée à un outil électrique plus grand n'est pas appropriée pour la vitesse plus élevée d'un outil plus petit et elle peut éclater.

#### Mises en garde de sécurité additionnelles spécifiques aux opérations de tronçonnage abrasif

- ▶ **Ne pas «coincer» la meule à tronçonner ou ne pas appliquer une pression excessive. Ne pas tenter d'exécuter une profondeur de coupe excessive.** Une contrainte excessive de la meule augmente la charge et la probabilité de torsion ou de blocage de la meule dans la coupe et la possibilité de rebond ou de rupture de la meule.
- ▶ **Ne pas vous placer dans l'alignement de la meule en rotation ni derrière celle-ci.** Lorsque la meule, au point de fonctionnement, s'éloigne de votre corps, le rebond éventuel peut propulser la meule en rotation et l'outil électrique directement sur vous.
- ▶ **Lorsque la meule se bloque ou lorsque la coupe est interrompue pour une raison quelconque, mettre l'outil électrique hors tension et tenir l'outil électrique immobile jusqu'à ce que la meule soit à l'arrêt complet. Ne jamais tenter d'enlever la meule à tronçonner de la coupe tandis que la meule est en mouvement sinon le rebond peut se produire.** Rechercher et prendre des mesures correctives afin d'empêcher que la meule ne se grippe.
- ▶ **Ne pas démarrer de nouveau le travail directement sur la pièce. Laissez le disque atteindre sa vitesse maximale et entrer en contact avec la pièce prudemment.** Le disque peut s'accrocher, se soulever brusquement ou avoir un mouvement arrière si l'appareil est redémarré en charge.
- ▶ **Prévoir un support de panneaux ou de toute pièce à usiner surdimensionnée pour réduire le risque de pincement et de rebond de la meule.** Les grandes pièces à usiner ont tendance à fléchir sous leur propre poids. Les supports doivent être placés sous la pièce à usiner près de la ligne de coupe et près du bord de la pièce des deux côtés de la meule.
- ▶ **Soyez particulièrement prudent lorsque vous faites une «coupe en retrait» dans des parois existantes ou dans d'autres zones sans visibilité.** La meule saillante peut couper des tuyaux de gaz ou d'eau, des câblages électriques ou des objets, ce qui peut entraîner des rebonds.

#### Mises en garde de sécurité spécifiques aux opérations de ponçage

- ▶ **Ne pas utiliser de papier abrasif trop surdimensionné pour les disques de ponçage. Suivre les recommandations des fabricants, lors du choix du papier abrasif.** Un papier abrasif plus grand s'étendant au-delà du patin de ponçage présente un danger de laceration et peut provoquer un accrochage, une déchirure du disque ou un rebond.

### Mises en garde de sécurité spécifiques aux opérations de brossage métallique

- ▶ **Garder à l'esprit que des brins métalliques sont rejetés par la brosse même au cours d'une opération ordinaire. Ne pas soumettre à une trop grande contrainte les fils métalliques en appliquant une charge excessive à la brosse.** Les brins métalliques peuvent aisément pénétrer dans des vêtements légers et/ou la peau.
- ▶ **Si l'utilisation d'un protecteur est recommandée pour le brossage métallique, ne permettre aucune gêne du touret ou de la brosse métallique au protecteur.** Le touret ou la brosse métallique peut se dilater en diamètre en raison de la charge de travail et des forces centrifuges.

### Consignes de sécurité additionnelles



**Portez toujours des lunettes de protection.**

- ▶ **Utilisez un détecteur approprié pour vérifier s'il n'y a pas de conduites cachées ou contactez votre société de distribution d'eau locale.** Tout contact avec des câbles électriques peut provoquer un incendie ou un choc électrique. Tout endommagement d'une conduite de gaz peut provoquer une explosion. La perforation d'une conduite d'eau provoque des dégâts matériels et peut provoquer un choc électrique.
- ▶ **Attendez que les meules à ébarber et les disques à tronçonner aient refroidi avant de les toucher.** Les meules deviennent brûlantes pendant le travail.
- ▶ **Déverrouiller l'interrupteur Marche/Arrêt et le mettre dans la position d'arrêt, si l'alimentation en courant est interrompue, par ex. par une panne de courant ou quand la fiche du secteur est débranchée.** Ceci permet d'éviter un redémarrage incontrôlé.
- ▶ **Bloquez la pièce à travailler.** Une pièce à travailler serrée par des dispositifs de serrage appropriés ou dans un étau est fixée de manière plus sûre que quand elle est tenue avec une main.

## Description des prestations et du produit



**Lisez attentivement toutes les instructions et consignes de sécurité.** Le non-respect des instructions et consignes de sécurité peut provoquer un choc électrique, un incendie et/ou entraîner de graves blessures.

Référez-vous aux illustrations qui se trouvent à l'avant de la notice d'utilisation.

### Utilisation conforme

L'outil électroportatif est conçu pour le tronçonnage, le meulage/l'ébarbage et le brossage à sec de la pierre et du métal.

Pour le tronçonnage avec des abrasifs agglomérés, utilisez un capot de protection spécifiquement conçu pour le tronçonnage.

Pour le tronçonnage de pierres, veillez à assurer une aspiration suffisante des poussières.

En combinaison avec les accessoires de ponçage adéquats, l'outil électroportatif peut aussi être utilisé pour le ponçage avec des disques abrasifs.

### Éléments constitutifs

La numérotation des éléments de l'appareil se réfère à la représentation de l'outil électroportatif sur la page graphique.

- (1) Bouton de blocage de broche
- (2) Interrupteur Marche/Arrêt
- (3) Poignée supplémentaire (surface de préhension isolante)
- (4) Broche d'entraînement
- (5) Carter de protection spécial meulage (vis de serrage)
- (6) Vis de blocage du capot de protection
- (7) Flasque de fixation avec joint torique
- (8) Meule<sup>A)</sup>
- (9) Écrou de serrage
- (10) Clé à ergots pour écrou de serrage<sup>A)</sup>
- (11) Écrou de serrage rapide **SDS-clie<sup>A)</sup>**
- (12) Meule assiette carbure<sup>A)</sup>
- (13) Capot de protection spécial tronçonnage (vis de blocage<sup>A)</sup>)
- (14) Disque à tronçonner<sup>A)</sup>
- (15) Protège-main<sup>A)</sup>
- (16) Bagues d'écartement<sup>A)</sup>
- (17) Plateau caoutchouc<sup>A)</sup>
- (18) Disque abrasif<sup>A)</sup>
- (19) Écrou cylindrique<sup>A)</sup>
- (20) Brosse boisseau<sup>A)</sup>
- (21) Carter d'aspiration spécial tronçonnage avec glissière de guidage<sup>A)</sup>
- (22) Disque à tronçonner diamanté<sup>A)</sup>
- (23) Poignée (surface de préhension isolée)
- (24) Dispositif d'amortissement des vibrations
- (25) Capot de protection spécial meulage
- (26) Ergot de détrompage
- (27) Levier de serrage du capot de protection
- (28) Vis d'ajustage du capot de protection
- (29) Capot de protection spécial tronçonnage

**A) Les accessoires décrits ou illustrés ne sont pas tous compris dans la fourniture. Vous trouverez les accessoires complets dans notre gamme d'accessoires.**

## Caractéristiques techniques

Meuleuse angulaire		GWS 22-180 H	GWS 22-230 H	GWS 22-230 JH	GWS 24-180 H
Référence		<b>3 601 H81 1..</b>	<b>3 601 H82 1..</b>	<b>3 601 H82 2..</b>	<b>3 601 H83 1..</b>
Puissance absorbée nominale	W	2 200	2 200	2 200	2 400
Puissance débitée	W	1 500	1 500	1 500	1 600
Régime nominal	tr/min	8 500	6 600	6 600	8 500
Diamètre de disque maxi	mm	180	230	230	180
Filetage de la broche d'entraînement		M 14	M 14	M 14	M 14
Longueur de filetage maxi de la broche d'entraînement	mm	25	25	25	25
Protection anti-redémarrage		-	-	●	-
Limitation du courant de démarrage		-	-	●	-
Poignée principale orientable		-	-	-	-
Frein d'arrêt immédiat		-	-	-	-
Poids selon EPTA-Procédure 01:2014					
- avec poignée supplémentaire antivibrations	kg	5,1	5,1	5,3	5,0
- avec poignée supplémentaire standard	kg	5,0	5,0	5,2	4,9
Indice de protection		□/II	□/II	□/II	□/II

Meuleuse angulaire		GWS 24-230 H	GWS 24-230 JH	GWS 26-180 H
Référence		<b>3 601 H84 1..</b>	<b>3 601 H84 2..</b>	<b>3 601 H55 1..</b>
Puissance absorbée nominale	W	2 400	2 400	2 600
Puissance débitée	W	1 600	1 600	1 700
Régime nominal	tr/min	6 600	6 600	8 500
Diamètre de disque maxi	mm	230	230	180
Filetage de la broche d'entraînement		M 14	M 14	M 14
Longueur de filetage maxi de la broche d'entraînement	mm	25	25	25
Protection anti-redémarrage		-	●	-
Limitation du courant de démarrage		-	●	-
Poignée principale orientable		-	-	-
Frein d'arrêt immédiat		-	-	-
Poids selon EPTA-Procédure 01:2014				
- avec poignée supplémentaire antivibrations	kg	5,2	5,3	6,0
- avec poignée supplémentaire standard	kg	5,1	5,2	5,9
Indice de protection		□/II	□/II	□/II

Meuleuse angulaire		GWS 26-230 B	GWS 26-230 H	GWS 26-230 H
Référence		<b>3 601 H56 3..</b>	<b>3 601 H56 1..</b>	<b>3 601 H56 L..</b>
Puissance absorbée nominale	W	2 600	2 600	2 600
Puissance débitée	W	1 700	1 700	1 700
Régime nominal	tr/min	6 600	6 600	6 600
Diamètre de disque maxi	mm	230	230	230
Filetage de la broche d'entraînement		M 14	M 14	M 14

Meuleuse angulaire		GWS 26-230 B	GWS 26-230 H	GWS 26-230 H
Longueur de filetage maxi de la broche d'entraînement	mm	25	25	25
Protection anti-redémarrage		-	-	-
Limitation du courant de démarrage		-	-	-
Poignée principale orientable		●	-	-
Frein d'arrêt immédiat		-	-	-
Poids selon EPTA-Procédure 01:2014				
- avec poignée supplémentaire antivibrations	kg	6,2	6,1	6,1
- avec poignée supplémentaire standard	kg	6,1	6,0	6,0
Indice de protection		□/II	□/II	□/II

Meuleuse angulaire		GWS 20-230 H	GWS 24-230 JVX	
Référence		<b>3 601 H50 1..</b>	<b>3 601 H64 5..</b>	
Puissance absorbée nominale	W	2 000	2 400	
Puissance débitée	W	1 250	1 600	
Régime nominal	tr/min	6 600	6 600	
Diamètre de disque maxi	mm	230	230	
Filetage de la broche d'entraînement		M 14	M 14	
Longueur de filetage maxi de la broche d'entraînement	mm	25	18	
Protection anti-redémarrage		-	-	
Limitation du courant de démarrage		-	●	
Poignée principale orientable		-	●	
Frein d'arrêt immédiat		-	●	
Poids selon EPTA-Procédure 01:2014				
- avec poignée supplémentaire antivibrations	kg	5,2	6,5	
- avec poignée supplémentaire standard	kg	5,1	6,4	
Indice de protection		□/II	□/II	

Les données indiquées sont valables pour une tension nominale [U] de 230 V. Elles peuvent varier lorsque la tension diffère de cette valeur et sur certaines versions destinées à certains pays.

Seulement pour les outils électroportatifs sans limitation du courant de démarrage : les mises en marche provoquent des creux de tension passagers. En cas de conditions réseau défavorables, le fonctionnement d'autres appareils risque alors d'être perturbé. Si l'impédance du réseau est inférieure à 0,25 Ohm, le risque de perturbation est minime.

## Informations sur le niveau sonore / les vibrations

Valeurs d'émissions sonores déterminées selon la norme

### EN 60745-2-3.

Les niveaux sonores pondérés en dB(A) typiques de l'outil électroportatif sont les suivants : **93 dB(A)** ; niveau de puissance acoustique **104 dB(A)**. Incertitude K = **3 dB**.

### Portez un casque antibruit !

Valeurs globales de vibration  $a_h$  (somme vectorielle sur les trois axes) et incertitude K conformément à **EN 60745-2-3** :

Meulage (ébarbage) :

$a_h = 7,5 \text{ m/s}^2$ , K = **1,5 m/s<sup>2</sup>**,

Ponçage avec disque abrasif :

$a_h = 4,5 \text{ m/s}^2$ , K = **1,5 m/s<sup>2</sup>**.

Le niveau de vibration indiqué dans cette notice d'utilisation a été mesuré à l'aide d'un procédé de mesure normalisé et peut être utilisé pour effectuer une comparaison entre outils

électroportatifs. Il est également approprié pour une estimation préliminaire de la charge vibratoire.

Le niveau de vibration s'applique pour les utilisations principales de l'outil électroportatif. En cas d'utilisation de l'outil électroportatif pour d'autres applications, avec d'autres accessoires ou bien en cas d'entretien non approprié, le niveau sonore peut être différent. Il peut en résulter une nette augmentation de la charge vibratoire pendant toute la durée de travail.

Pour une estimation précise de la charge vibratoire, il est recommandé de prendre aussi en considération les périodes pendant lesquelles l'appareil est éteint ou en fonctionnement, mais pas vraiment utilisé. Ceci peut réduire considérablement la charge vibratoire pendant toute la durée de travail.

Prévoyez des mesures de protection supplémentaires permettant de protéger l'utilisateur de l'effet des vibrations, par

exemple : maintenance de l'outil électroportatif et des accessoires de travail, maintien des mains au chaud, organisation des procédures de travail.

## Montage

### Montage du dispositif de protection

- **Débranchez le câble d'alimentation de la prise avant d'effectuer des travaux quels qu'il soient sur l'outil électroportatif.**

**Remarque :** En cas de cassure de la meule ou du disque pendant l'utilisation ou de détérioration des dispositifs de fixation sur le capot de protection/l'outil électroportatif, envoyez sans tarder l'outil électroportatif dans un centre de service après-vente. Pour les adresses, reportez-vous à la section « Service après-vente et conseil utilisateurs ».

#### Capot de protection spécial meulage (GWS 24-230 JVX)

Ouvrez le levier de serrage (27). Montez le capot de protection avec l'ergot de détrompage (26) dans la rainure du collet de broche, jusqu'à ce que l'épaulement du capot de protection repose sur le flasque de l'outil électroportatif et tournez le capot de protection dans la position souhaitée. Refermez le levier de serrage (27).

- **Orientez le capot de protection (25) de façon à éviter les projections d'étincelles en direction de l'utilisateur.**

Il est possible de modifier la force de serrage du verrouillage du capot de protection en serrant ou en desserrant la vis d'ajustage (28). Veillez à ce que le capot de protection soit bien fixé et contrôlez régulièrement son serrage.

**Remarque :** Les ergots de détrompage se trouvant sur le capot de protection font en sorte que seul le capot de protection adapté à l'outil électroportatif puisse être monté.

#### Carter de protection spécial meulage (vis de serrage) (GWS 20-230 H / GWS 22-180 H / GWS 22-230 H/JH / GWS 24-180 H / GWS 24-230 H/JH / GWS 26-180 H / GWS 26-230 B/H)

Placez le capot de protection (5) sur le collet de broche. Ajustez la position du capot de protection (5) en fonction des besoins du travail à effectuer et bloquez le capot de protection (5) avec la vis de blocage (6).

- **Orientez le capot de protection (5) de façon à éviter les projections d'étincelles en direction de l'utilisateur.**

#### Capot de protection spécial tronçonnage

- **Pour les opérations de tronçonnage au moyen d'abrasifs agglomérés, utilisez toujours le capot de protection spécial tronçonnage (13)/(29).**
- **Lors du tronçonnage de matières minérales, veillez à assurer une aspiration suffisante des poussières.**

Le capot de protection spécial tronçonnage (13)/(29) se monte comme le capot de protection spécial meulage.

#### Capot de protection spécial tronçonnage avec glissière de guidage

Le capot de protection spécial tronçonnage avec glissière de guidage (21) se monte comme le capot de protection spécial meulage.

#### Poignée supplémentaire

- **N'utilisez l'outil électroportatif qu'avec la poignée supplémentaire (3).**

Vissez la poignée supplémentaire (3) du côté gauche ou du côté droit de la tête de meuleuse, selon les besoins.

#### Dispositif d'amortissement des vibrations (GWS 24-230 JVX)



Le dispositif intégré d'amortissement des vibrations réduit les vibrations générées en cours d'utilisation.

- **Ne continuez pas à utiliser l'outil électroportatif si l'élément d'amortissement est endommagé.**

#### Protège-main

- **Montez systématiquement le protège-main pour les travaux avec plateau caoutchouc (17) ou brosse-seau/brosse circulaire/disque à lamelles (15).**

Fixez le protège-main (15) avec la poignée supplémentaire (3).

#### Montage des accessoires de ponçage

- **Débranchez le câble d'alimentation de la prise avant d'effectuer des travaux quels qu'il soient sur l'outil électroportatif.**

- **Attendez que les meules à ébarber et les disques à tronçonner aient refroidi avant de les toucher.** Les meules deviennent brûlantes pendant le travail.

Nettoyez la broche d'entraînement (4) et toutes les pièces à monter.

Pour serrer et libérer les meules et autres accessoires, pressez la touche de blocage de broche (1) afin de bloquer la broche d'entraînement.

- **N'actionnez la touche de blocage de broche que lorsque la broche d'entraînement est à l'arrêt.** L'outil électroportatif risque sinon d'être endommagé.

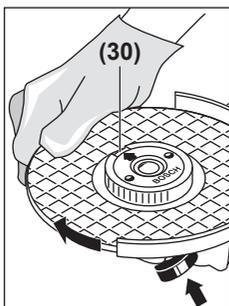
#### Écrou de serrage rapide SDS-clic

Pour changer de meule ou de disque sans avoir à utiliser de clé, utilisez l'écrou de serrage rapide (11) à la place de l'écrou de serrage (9).

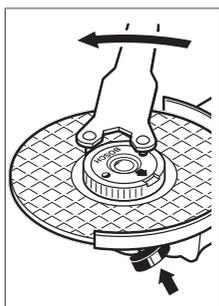
- **L'écrou de serrage rapide (11) ne doit être utilisé que pour les meules à ébarber ou disques à tronçonner.**

**N'utilisez qu'un écrou de serrage rapide (11) en parfait état, sans traces de détérioration.**

**Lors du vissage, veillez à ce que le côté gravé de l'écrou de serrage rapide (11) ne se trouve pas du côté meule/disque ; la flèche doit être orientée vers la rainure de repère(30) .**



Actionnez le bouton de blocage de broche (1) pour bloquer la broche. Pour serrer l'écrou de serrage rapide, faites tourner d'un geste ferme la meule/le disque dans le sens horaire.



Pour desserrer un écrou de serrage rapide (non endommagé) correctement fixé, tournez avec la main la molette dans le sens antihoraire. **N'essayez jamais de desserrer un écrou de serrage rapide grippé avec une pince, utilisez uniquement la clé à ergots.** Positionnez la clé à ergots comme représenté sur la figure.

### Meule / disque à tronçonner

N'utilisez que des meules et disques aux dimensions prescrites. Le diamètre de l'alésage central doit être adapté au flasque d'entraînement. N'utilisez ni raccords réducteurs ni adaptateurs.

Lors de l'utilisation de disques à tronçonner diamantés, veillez à ce que la flèche de sens de rotation sur le disque et le sens de rotation de l'outil électroportatif (voir la flèche de sens de rotation sur la tête de meuleuse) coïncident.

L'ordre de montage est visible sur la page avec les graphiques.

Pour fixer la meule / le disque à tronçonner, vissez l'écrou de serrage (9) et serrez-le avec la clé à ergots, voir la section (voir « Écrou de serrage rapide **SDS-clic** », Page 25).

- ▶ **Après avoir monté la meule/le disque et avant de mettre l'outil en marche, vérifiez si la meule/le disque est fixé(e) correctement et peut tourner librement. Assurez-vous que la meule/le disque ne frôle pas le capot de protection ni d'autres pièces.**



Dans le flasque de serrage (7) se trouve un joint torique plastique autour de l'épaule de centrage. **Si le joint torique manque ou est endommagé**, remplacez impérativement le flasque de serrage (7) avant de réutiliser

l'outil électroportatif.

### Disque à lamelles

- ▶ **Toujours monter le protège-main (15) pour les travaux avec le disque à lamelles.**

### Plateau caoutchouc

- ▶ **Toujours monter le protège-main (15) pour les travaux avec le plateau caoutchouc (17).**

L'ordre de montage est visible sur la page avec les graphiques.

Avant de monter le plateau caoutchouc (17), placez les 2 bagues d'écartement (16) sur la broche (4).

(GWS 20-230 H / GWS 22-180 H / GWS 22-230 H/JH / GWS 24-180 H / GWS 24-230 H/JH / GWS 26-180 H / GWS 26-230 B/H).

Vissez l'écrou cylindrique (19) et serrez-le avec la clé à ergots.

**Remarque :** Un effort relativement important doit être exercé pour desserrer l'écrou cylindrique (19) (GWS 24-230 JVX).

### Brosse boisseau / brosse circulaire

- ▶ **Toujours monter le protège-main (15) pour les travaux avec la brosse boisseau ou la brosse circulaire.**

L'ordre de montage est visible sur la page avec les graphiques.

Vissez la brosse boisseau / brosse circulaire sur la broche jusqu'à ce qu'elle appuie fermement contre le flasque à l'extrémité du filetage de broche. Serrez la brosse boisseau / brosse circulaire avec une clé plate.

**Remarque :** Un effort relativement important doit être exercé pour desserrer l'accessoire de meulage (GWS 24-230 JVX).

### Outils de meulage admissibles

Vous pouvez utiliser toutes les meules et disques indiqués dans cette notice d'utilisation.

La vitesse de rotation [en tr/min] et la vitesse circonférentielle [en m/s] des meules/disques utilisés doivent correspondre aux indications du tableau ci-dessous.

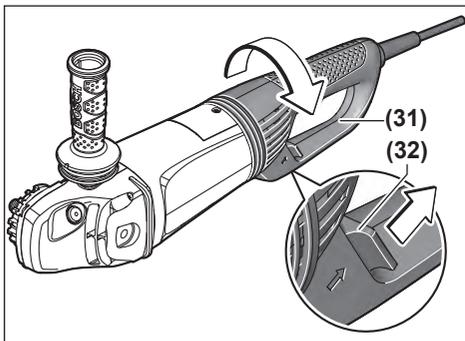
Respectez pour cette raison la vitesse de rotation **et vitesse circonférentielle indiquées** sur l'étiquette de la meule/du disque.

	maxi [mm]	[mm]			
	D	b	d	[tr/min]	[m/s]
	180	8	22,2	8 500	80
	230	8	22,2	6 600	80
	180	-	-	8 500	80
	230	-	-	6 600	80
	100	30	M 14	8 500	45

### Pivotement de la poignée principale

(GWS 24-230 JVX / GWS 26-230 B)

- **Débranchez le câble d'alimentation de la prise avant d'effectuer des travaux quels qu'il soient sur l'outil électroportatif.**



Il est possible de faire pivoter la poignée principale (31) de 90° vers la gauche ou vers la droite par rapport au carter moteur. Le fait de tourner la poignée permet, lors de certaines applications, de placer l'interrupteur Marche/Arrêt dans une position plus pratique, par ex. lors de travaux de tronçonnage avec le capot de protection avec glissière de guidage (21) ou pour les gauchers.

Tirez le déverrouillage de la poignée (32) dans le sens de la flèche et tournez, dans le même temps, la poignée principale (31) dans la position souhaitée jusqu'à ce qu'elle s'enclenche.

### Pivotement de la tête de meuleuse

(GWS 20-230 H / GWS 22-180 H /  
GWS 22-230 H/JH / GWS 24-180 H /  
GWS 24-230 H/JH / GWS 26-180 H /  
GWS 26-230 B/H)

- **Débranchez le câble d'alimentation de la prise avant d'effectuer des travaux quels qu'il soient sur l'outil électroportatif.**



La tête de meuleuse peut être tournée par paliers de 90°. Le fait de tourner la tête permet, lors de certaines applications, de placer l'interrupteur Marche/Arrêt dans une position plus pratique, par ex. lors de travaux de tronçonnage avec le capot de protection avec glissière de guidage

(21) ou pour les gauchers.

Retirez les 4 vis. Faites pivoter avec précaution la tête de meuleuse jusque dans la position souhaitée **sans la désolidariser du carter**. Resserrez les 4 vis.

### Aspiration de poussières/de copeaux

Les poussières de matériaux tels que peintures contenant du plomb, certains bois, minéraux ou métaux, peuvent être nuisibles à la santé. Le contact avec les poussières ou leur inhalation peut entraîner des réactions allergiques et/ou des ma-

ladies respiratoires auprès de l'utilisateur ou des personnes se trouvant à proximité.

Certaines poussières telles que les poussières de chêne ou de hêtre sont considérées comme cancérigènes, surtout en association avec des additifs pour le traitement du bois (chromate, lasure). Les matériaux contenant de l'amiante ne doivent être travaillés que par des personnes qualifiées.

- Si possible, utilisez un dispositif d'aspiration des poussières approprié au matériau.
- Veillez à bien aérer la zone de travail.
- Il est recommandé de porter un masque respiratoire avec un niveau de filtration de classe P2.

Respectez les règlements spécifiques aux matériaux à traiter en vigueur dans votre pays.

- **Évitez toute accumulation de poussières sur le lieu de travail.** Les poussières peuvent facilement s'enflammer.

## Mise en marche

### Mise en marche

- **Tenez compte de la tension du réseau ! La tension de la source de courant doit correspondre aux indications se trouvant sur la plaque signalétique de l'outil électroportatif. Les outils électroportatifs marqués 230 V peuvent également fonctionner sur 220 V.**

En cas de raccordement de l'outil électroportatif à un générateur mobile (groupe électrogène) ne disposant pas de réserves de puissance suffisantes ou d'une régulation de tension appropriée avec amplification du courant de démarrage, les pertes de puissance ou un comportement anormal peuvent se produire à la mise en marche.

Assurez-vous que le groupe électrogène dispose de caractéristiques (tension et fréquence réseau notamment) compatibles avec la meuleuse.

### Mise en marche/arrêt

Pour **mettre en marche** l'outil électroportatif, poussez l'interrupteur Marche/Arrêt (2) vers l'avant puis appuyez dessus.

Pour **bloquer** l'interrupteur Marche/Arrêt (2), poussez l'interrupteur Marche/Arrêt (2) encore plus vers l'avant.

Pour **arrêter** l'outil électroportatif, relâchez l'interrupteur Marche/Arrêt (2). S'il est bloqué, appuyez brièvement sur l'interrupteur Marche/Arrêt (2) puis relâchez-le.

### Interrupteur Marche/Arrêt sans blocage (dans certains pays) :

Pour **mettre en marche** l'outil électroportatif, poussez l'interrupteur Marche/Arrêt (2) vers l'avant puis appuyez dessus.

Pour **arrêter** l'outil électroportatif, relâchez l'interrupteur Marche/Arrêt (2).

- **Vérifiez les accessoires de meulage avant de les utiliser. L'accessoire de meulage doit être correctement monté et doit pouvoir tourner librement. Effectuez une marche d'essai en faisant tourner l'outil à vide pendant au moins 1 minute. N'utilisez jamais des ac-**

**accessoires de meulage qui sont endommagés, qui vibrent ou dont la rotation est irrégulière.** Les accessoires de meulage endommagés peuvent éclater et causer des blessures.

### Frein d'arrêt immédiat

(GWS 24-230 JVX)



L'outil électroportatif dispose du Bosch Brake System, un frein à inertie électromécanique breveté. À l'arrêt de l'outil électroportatif ou en cas de coupure de courant, l'accessoire est freiné en quelques secondes jusqu'à son immobilisation totale. Le temps d'arrêt de l'accessoire est ainsi réduit d'env. 70 % par rapport aux meuleuses angulaires sans frein d'arrêt immédiat, ce qui permet de poser l'outil électroportatif plus tôt.

**Remarque :** Un temps de freinage anormalement long indique que le frein d'arrêt immédiat ne fonctionne plus. L'outil électroportatif doit alors être immédiatement envoyé pour réparation à un centre de service après-vente. Pour les adresses, voir la section « Service après-vente et conseil utilisateurs ».

### Protection anti-redémarrage

(GWS 22-230 JH / GWS 24-230 JH)

La protection anti-redémarrage évite le démarrage incontrôlé de l'outil électroportatif après une coupure de courant.

Pour **remettre en marche** l'outil électroportatif, placez l'interrupteur Marche/Arrêt (2) dans la position arrêt et redémarrez l'outil électroportatif.

### Limitation du courant de démarrage

(GWS 22-230 JH / GWS 24-230 JH/JVX)

La limitation électronique du courant de démarrage limite la puissance lors de la mise en marche de l'outil électroportatif et permet une utilisation sur un circuit électrique protégé par un fusible 16 A.

**Remarque :** Si l'outil électroportatif tourne à pleine vitesse immédiatement après avoir été mis en marche, c'est que la limitation du courant de démarrage est en panne. L'outil électroportatif doit alors être immédiatement envoyé pour réparation à un centre de service après-vente. Pour les adresses, voir la section « Service après-vente et conseil utilisateurs ».

### Instructions d'utilisation

- ▶ **Débranchez le câble d'alimentation de la prise avant d'effectuer des travaux quels qu'il soient sur l'outil électroportatif.**
- ▶ **Attention lors de la réalisation de rainures ou saignées dans des murs porteurs, voir la section « Remarques sur la statique ».**
- ▶ **Serrez la pièce si son poids ne suffit pas à assurer une bonne stabilité.**
- ▶ **Ne provoquez pas l'arrêt de l'outil électroportatif en exerçant une pression trop forte.**

- ▶ **Après l'avoir fortement sollicité, laissez tourner l'outil électroportatif à vide pendant quelques minutes pour refroidir l'accessoire de travail.**
- ▶ **Attendez que les meules à ébarber et les disques à tronçonner aient refroidi avant de les toucher.** Les meules deviennent brûlantes pendant le travail.
- ▶ **N'utilisez jamais l'outil électroportatif avec un support de tronçonnage.**

**Remarque :** Débranchez le câble d'alimentation de l'outil en cas de non-utilisation. Quand il est raccordé à une prise secteur, l'outil électroportatif consomme un peu de courant, même à l'arrêt.

### Dégrossissage

- ▶ **N'utilisez jamais de disques à tronçonner pour les travaux de dégrossissage !**

Lors des travaux de meulage, les meilleurs résultats sont obtenus avec un angle d'inclinaison de 30 à 40°. Effectuez avec l'outil électroportatif des mouvements de va-et-vient en exerçant une pression modérée. De la sorte, la pièce ne s'échauffe pas excessivement, elle ne se colore pas et il n'apparaît pas de stries.

### Plateau à lamelles

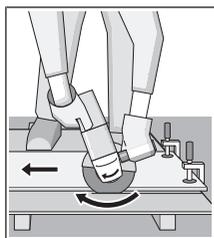
Le plateau à lamelles (accessoire) permet également de travailler des surfaces convexes et des profilés. Les plateaux à lamelles ont une durée de vie nettement plus élevée, des niveaux de bruit plus faibles ainsi que des températures de travail plus basses que les meules conventionnelles.

### Tronçonnage du métal

**Pour les opérations de tronçonnage au moyen d'abrasifs agglomérés, utilisez toujours le capot de protection spécial tronçonnage (13)/(29).**

Pour le tronçonnage, travaillez avec une vitesse d'avance modérée, adaptée au type de matériau. N'exercez pas de forte pression sur le disque à tronçonner, ne l'inclinez pas et n'effectuez pas de mouvements d'oscillation.

Après avoir arrêté l'outil, ne freinez pas le disque à tronçonner en exerçant une pression vers le côté.



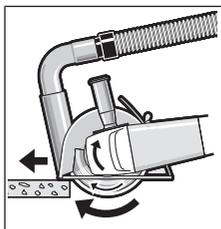
Toujours travailler en opposition (pas en avalant). Le disque risque sinon de sortir de la ligne de coupe **de façon incontrôlée**. Lors du tronçonnage de profilés et de tubes à section carrée, débutez au niveau de la plus petite section.

### Tronçonnage de la pierre

- ▶ **Lors du tronçonnage de matières minérales, veillez à assurer une aspiration suffisante des poussières.**
- ▶ **Portez un masque anti-poussières.**
- ▶ **L'outil électroportatif est seulement conçu pour effectuer des tronçonnages/des meulages à sec.**

Pour tronçonner de la pierre, il est recommandé d'utiliser une disque à tronçonner diamanté.

Lors de l'utilisation du capot d'aspiration spécial tronçonnage avec glissière de guidage (21), il faut que l'aspirateur raccordé soit conçu pour l'aspiration de poussière de pierre. Bosch propose des aspirateurs appropriés.



Mettez en marche l'outil électroportatif et posez-le sur la pièce avec la partie avant de la glissière de guidage. Déplacez l'outil électroportatif sur la pièce avec une vitesse d'avance modérée, adaptée au type de matériau.

Lors du tronçonnage de matériaux particulièrement durs, comme du béton avec forte teneur en gravier, le disque à tronçonner diamanté peut se mettre à surchauffer et se détériorer. Cela est reconnaissable à la formation d'une couronne d'étincelles autour du disque à tronçonner diamanté.

En pareil cas, interrompez la coupe et laissez refroidir le disque à tronçonner en le faisant tourner à vide à la vitesse maximale pendant un court instant.

L'apparition d'une couronne d'étincelles autour du disque et une diminution notable de la vitesse d'avance sont des signes révélateurs de l'érouissage d'un disque à tronçonner. Il convient alors de réaffûter le disque en réalisant quelques coupes brèves dans un matériau abrasif (par ex. du grès).

#### Remarques sur la statique

La réalisation de saignées dans des murs porteurs est réglementée par la norme DIN 1053 partie 1 ou les normes équivalentes en vigueur dans votre pays. Impérativement respecter la législation. Avant de débiter les travaux, demandez conseil au staticien / à l'architecte responsable ou au maître d'œuvre compétent.

## Entretien et Service après-vente

### Nettoyage et entretien

- ▶ **Débranchez le câble d'alimentation de la prise avant d'effectuer des travaux quels qu'il soient sur l'outil électroportatif.**
- ▶ **Tenez toujours propres l'outil électroportatif ainsi que les fentes de ventilation afin d'obtenir un travail impeccable et sûr.**
- ▶ **Dans la mesure du possible, utilisez toujours un aspirateur quand les conditions de travail sont extrêmes. Soufflez fréquemment de l'air comprimé au travers des fentes de ventilation et placez un disjoncteur différentiel (PRCD) en amont.** Lors du travail des métaux, il est possible que des poussières métalliques à effet conducteur se déposent à l'intérieur de l'outil. La double isolation de l'outil électroportatif risque alors d'être endommagée.

Stockez et traitez les accessoires avec précaution.

Dans le cas où il s'avère nécessaire de remplacer le câble d'alimentation, confiez le remplacement à **Bosch** ou une sta-

tion de Service Après-Vente agréée pour outillage **Bosch** afin de ne pas compromettre la sécurité.

### Service après-vente et conseil utilisateurs

Notre Service après-vente répond à vos questions concernant la réparation et l'entretien de votre produit et les pièces de rechange. Vous trouverez des vues éclatées et des informations sur les pièces de rechange sur le site : [www.bosch-pt.com](http://www.bosch-pt.com)

L'équipe de conseil utilisateurs Bosch se tient à votre disposition pour répondre à vos questions concernant nos produits et leurs accessoires.

Pour toute demande de renseignement ou toute commande de pièces de rechange, précisez impérativement la référence à 10 chiffres figurant sur l'étiquette signalétique du produit.

#### Belgique, Luxembourg

Tel. : +32 2 588 0589

Fax : +32 2 588 0595

E-Mail : [outillage.gereedschap@be.bosch.com](mailto:outillage.gereedschap@be.bosch.com)

#### France

Réparer un outil Bosch n'a jamais été aussi simple, et ce, en moins de 5 jours, grâce à SAV DIRECT, notre formulaire de retour en ligne que vous trouverez sur notre site internet [www.bosch-pt.fr](http://www.bosch-pt.fr) à la rubrique Services. Vous y trouverez également notre boutique de pièces détachées en ligne où vous pouvez passer directement vos commandes.

Vous êtes un utilisateur, contactez : Le Service Clientèle Bosch Outillage Electroportatif

Tel. : 0811 360122 (coût d'une communication locale)

E-Mail : [sav.outillage-electroportatif@fr.bosch.com](mailto:sav.outillage-electroportatif@fr.bosch.com)

Vous êtes un revendeur, contactez :

Robert Bosch (France) S.A.S.

Service Après-Vente Electroportatif

126, rue de Stalingrad

93705 DRANCY Cédex

Tel. : (01) 43119006

E-Mail : [sav-bosch.outillage@fr.bosch.com](mailto:sav-bosch.outillage@fr.bosch.com)

#### Suisse

Passez votre commande de pièces détachées directement en ligne sur notre site [www.bosch-pt.com/ch/fr](http://www.bosch-pt.com/ch/fr).

Tel. : (044) 8471512

Fax : (044) 8471552

E-Mail : [Aftersales.Service@de.bosch.com](mailto:Aftersales.Service@de.bosch.com)

### Élimination des déchets

Les outils électroportatifs, ainsi que leurs accessoires et emballages, doivent pouvoir suivre chacun une voie de recyclage appropriée.



Ne jetez pas les outils électroportatifs avec les ordures ménagères !

### Seulement pour les pays de l'UE :

Conformément à la directive européenne 2012/19/UE relative aux déchets d'équipements électriques et électroniques et sa mise en vigueur conformément aux législations natio-

nales, les outils électroportatifs dont on ne peut plus se servir doivent être isolés et suivre une voie de recyclage appropriée.



## Türkçe

### Güvenlik talimatı

#### Elektrikli El Aletleri için Genel Güvenlik Uyarıları

##### ⚠ UYARI

**Bütün güvenlik uyarılarını ve talimatları okuyun.** Açıklanan

uyarılar ve talimatlara uyulmadığı takdirde elektrik çarpmalarına, yangınlara ve/veya ağır yaralanmalara neden olunabilir.

**Bütün uyarıları ve talimatları ilerde kullanmak üzere saklayın.**

Uyarı ve talimatlarda kullanılan "elektrikli el aleti" terimi, akım şebekesine bağlı (elektrikli) aletlerle akü ile çalışan aletleri (akülü) kapsamaktadır.

##### Çalışma yeri güvenliği

- ▶ **Çalıştığınız yeri temiz tutun ve iyi aydınlatın.** Dağınık veya karanlık alanlar kazalara davetiye çıkarır.
- ▶ **Yakınında patlayıcı maddeler, yanıcı sıvı, gaz veya tozların bulunduğu yerlerde elektrikli el aleti ile çalışmayın.** Elektrikli el aletleri, toz veya buharların tutuşmasına neden olabilecek kıvılcımlar çıkarırlar.
- ▶ **Elektrikli el aleti ile çalışırken çocukları ve etraftaki kişileri uzakta tutun.** Dikkatiniz dağılacak olursa aletin kontrolünü kaybedebilirsiniz.

##### Elektrik Güvenliği

- ▶ **Elektrikli el aletinin fişi prize uymalıdır. Fişi hiçbir zaman değiştirmeyin. Korumalı (topraklanmış) elektrikli el aletleri ile birlikte adaptör fiş kullanmayın.** Değiştirilmemiş fiş ve uygun priz elektrik çarpması tehlikesini azaltır.
- ▶ **Borular, kalorifer petekleri, ısıtıcılar ve buzdolapları gibi topraklanmış yüzeylerle vücudunuzun temas etmesinden kaçının.** Vücudunuz topraklandığı anda büyük bir elektrik çarpması tehlikesi ortaya çıkar.
- ▶ **Elektrikli el aletlerini yağmur altında veya nemli ortamlarda bırakmayın.** Suyun elektrikli el aleti içine sızması elektrik çarpması tehlikesini artırır.
- ▶ **Kabloya zarar vermeyin. Elektrikli el aletini kablodan tutarak taşımayın, kabloyu kullanarak çekmeyin veya kablodan çekerek fişi çıkarmayın. Kabloya ateş, yanıcı ve/veya keskin ve hareket eden maddelerden uzak tutun.** Hasarlı veya dolaşmış kablo elektrik çarpması tehlikesini artırır.
- ▶ **Bir elektrikli el aleti ile açık havada çalışırken mutlaka açık havada kullanılmaya uygun uzatma kablosu kullanın.** Açık havada kullanılmaya uygun uzatma

kablosunun kullanılması elektrik çarpması tehlikesini azaltır.

- ▶ **Elektrikli el aletinin nemli ortamlarda çalıştırılması şartsa mutlaka kaçak akım koruma rölesi kullanın.** Kaçak akım koruma rölesi şalterinin kullanımı elektrik çarpması tehlikesini azaltır.

##### Kişilerin Güvenliği

- ▶ **Dikkatli olun, ne yaptığınıza dikkat edin, elektrikli el aleti ile işinizi makul bir tempo ve yöntemle yürütün.** Yorgunsanız, kullandığınız hapların, ilaçların veya alkolün etkisinde iseniz elektrikli el aletini kullanmayın. Elektrikli el aletini kullanırken bir anki dikkatsizlik önemli yaralanmalara neden olabilir.
- ▶ **Daima kişisel koruyucu donanım kullanın. Daima koruyucu gözlük kullanın.** Elektrikli el aletinin türü ve kullanımına uygun olarak; toz maskesi, kaymayan iş ayakkabıları, koruyucu kask veya koruyucu kulaklık gibi koruyucu donanım kullanımı yaralanma tehlikesini azaltır.
- ▶ **Aleti yanlışlıkla çalıştırmaktan kaçının. Güç kaynağına ve/veya aküye bağlamadan, elinize alıp taşımadan önce elektrikli el aletinin kapalı olduğundan emin olun.** Elektrikli el aletinin parmağınız şalter üzerinde dururken taşırırsanız ve elektrikli el aleti açıkken fişi prize sokarsanız kazalara neden olabilirsiniz.
- ▶ **Elektrikli el aletini çalıştırmadan önce ayar aletlerini veya anahtarları aletten çıkarın.** Elektrikli el aletinin dönen parçaları içinde bulunabilecek bir yardımcı alet yaralanmalara neden olabilir.
- ▶ **Çalışırken vücudunuz anormal durumda olmasın. Çalışırken duruşunuz güvenli olsun ve dengeni her zaman koruyun.** Bu sayede elektrikli el aletini beklenmedik durumlarda daha iyi kontrol edebilirsiniz.
- ▶ **Uygun iş elbiseleri giyin. Geniş giysiler giymeyin ve takı takmayın. Saçlarınızı, giysilerinizi ve eldivenlerinizi aletin hareketli parçalarından uzak tutun.** Bol giysiler, uzun saçlar veya takılar aletin hareketli parçaları tarafından tutulabilir.
- ▶ **Toz emme donanımı veya toz tutma tertibatı kullanırken, bunların bağlı olduğundan ve doğru kullanıldığından emin olun.** Toz emme donanımının kullanımı tozdan kaynaklanabilecek tehlikeleri azaltır.

##### Elektrikli el aletlerinin kullanımı ve bakımı

- ▶ **Elektrikli el aletini aşırı ölçüde zorlamayın. Yaptığınız işe uygun elektrikli el aletleri kullanın.** Uygun performanslı elektrikli el aleti ile, belirlenen çalışma alanında daha iyi ve güvenli çalışırsınız.
- ▶ **Şalteri bozuk olan elektrikli el aletini kullanmayın.** Açılıp kapanamayan bir elektrikli el aleti tehlikelidir ve onarılmalıdır.
- ▶ **Elektrikli el aletinde bir ayarlama işlemine başlamadan ve/veya aküyü çıkarmadan önce, herhangi bir aksesuarı değiştirirken veya elektrikli el aletini elinizden bırakırken fişi prizden çekin.** Bu önlem, elektrikli el aletinin yanlışlıkla çalışmasını önler.

- ▶ **Kullanım dışı duran elektrikli el aletlerini çocukların ulaşamayacağı bir yerde saklayın. Aleti kullanmayı bilmeyen veya bu kullanım kılavuzunu okumayan kişilerin aletle çalışmasına izin vermeyin.** Deneyimsiz kişiler tarafından kullanıldığında elektrikli el aletleri tehlikelidir.
- ▶ **Elektrikli el aletinizin bakımını özenle yapın. Elektrikli el aletinizin kusursuz olarak çalışmasını engelleyebilecek bir durumun olup olmadığını, hareketli parçaların kusursuz olarak işlev görüp görmediklerini ve sıkışıp sıkışmadıklarını, parçaların hasarlı olup olmadığını kontrol edin. Elektrikli el aletini kullanmaya başlamadan önce hasarlı parçaları onartın.** Birçok iş kazası elektrikli el aletlerine yeterli bakım yapılmamasından kaynaklanır.
- ▶ **Kesici uçları daima keskin ve temiz tutun.** Özenle bakımı yapılmış keskin kenarlı kesme uçlarının malzeme içinde sıkışma tehlikesi daha azdır ve daha rahat kullanım olanağı sağlarlar.
- ▶ **Elektrikli el aletini, aksesuarı, uçları ve benzerlerini, bu özel tip alet için öngörülen talimata göre kullanın. Bu sırada çalışma koşullarını ve yaptığımız işi dikkate alın.** Elektrikli el aletlerinin kendileri için öngörülen alanın dışında kullanılması tehlikeli durumlara neden olabilir.

#### Servis

- ▶ **Elektrikli el aletinizi sadece yetkili personele ve orijinal yedek parça kullanma koşulu ile onartın.** Bu sayede elektrikli el aletinizin güvenliğini sürekli hale getirirsiniz.

#### Taşıma makineleri için güvenlik talimatı

**Taşıma, zımparalama, telli fırçalama ve aşındırıcı kesme işlemleri için ortak güvenlik uyarıları**

- ▶ **Bu elektrikli el aleti taşıma makinesi, zımparalama makinesi veya kesme aleti olarak kullanılmak üzere tasarlanmıştır. Bu elektrikli el aletiyle birlikte gelen tüm güvenlik uyarılarını, talimatlarını, resim ve açıklamaları okuyun.** Aşağıda bulunan talimatlara uyulmaması elektrik çarpmalarına, yangınlara ve/veya ağır yaralanmalara neden olabilir.
- ▶ **Bu elektrikli el aleti ile polisaj gibi işlemlerin yürütülmesi önerilmez.** Elektrikli el aletinizin tasarımına uygun olmayan işlemler tehlike oluşturabilir ve kişilerin yaralanmasına neden olabilir.
- ▶ **Alet üreticisi tarafından özellikle tasarlanmamış ve tavsiye edilmemiş aksesuarları kullanmayın.** Aksesuarın elektrikli el aletinize takılabiliyor olması, güvenli biçimde çalışmasını garantilemez.
- ▶ **Aksesuarın nominal hızı, en azından elektrikli el aletinde belirtilen maksimum hıza eşit olmalıdır.** Nominal hızından daha hızlı çalışan aksesuarlar kırılabilir ve fırlayabilir.
- ▶ **Aksesuarınızın dış çapı ve kalınlığı, elektrikli el aletinizin kapasite derecelendirme sınırları dahilinde olmalıdır.** Yanlış boyutlu aksesuarlar gerektiği biçimde korunamaz veya kontrol edilemez.
- ▶ **Dişlerle monte edilen aksesuarların dişleri, mildeki dişlerle eşleşmelidir. Flanşlarla monte edilen aksesuarlarda, aksesuarın mil deliği flanşın çapına uygun olmalıdır.** Elektrikli el aletinizin montaj donanımına uymayan aksesuarlar dengesini kaybeder, ciddi biçimde titreşir ve kontrolden çıkabilir.
- ▶ **Hasarlı aksesuarları kullanmayın. Her kullanımdan önce aksesuarı inceleyin, örneğin taşıma disklerinde kırıklar ve çatlaklar, destek pedinde çatlaklar, yırtılmalar veya aşırı aşınmalar, tel fırçalarında gevşek veya kırık teller olup olmadığını kontrol edin. Elektrikli el aleti veya aksesuar yere düşerse, zarar görüp görmediğini inceleyin veya zarar görmemiş aksesuarlar takın. Bir aksesuarı inceledikten ve taktikten sonra kendinizi ve yakınınızdaki kişileri dönen aksesuarın düzleminden uzaklaştırın ve elektrikli el aletini bir dakika süreyle maksimum boştaki devir sayısında çalıştırın.** Hasarlı aksesuarlar normalde bu test süresi içinde kırılacaktır.
- ▶ **Kişisel koruyucu donanım kullanın. Uygulamaya bağlı olarak koruyucu yüz maskesi, koruyucu gözlük veya emniyetli camlar kullanın. Gerektiği durumlarda toz maskesi, kulaklık, eldiven ve küçük aşındırıcı ve iş parçası kırıklarını engelleyebilecek atölye önlüğü takın.** Göz koruması, çeşitli işlemler sırasında fırlayan parçacıkları durdurabilmelidir. Toz maskesi veya solunum aygıtı, işleminiz sırasında ortaya çıkan partikülleri filtre edebilmelidir. Yüksek yoğunluklu gürültüye uzun süre maruz kalmak, işitme kaybına neden olabilir.
- ▶ **Yakındaki kişilerin çalışma alanına güvenli bir mesafede olduğundan emin olun. Çalışma alanına giren herkes kişisel koruyucu donanım taktalıdır.** İş parçası kırıkları veya kırılan aksesuarlar fırlayabilir ve işleminizi gerçekleştirdiğiniz alanın hemen yakınlarında yaralanmalara neden olabilir.
- ▶ **Bir çalışma sırasında kesme aksesuarının gizli bir kablo sistemi veya kendi kabloyla temas etme ihtimali varsa elektrikli el aletini izolasyonlu tutamak yüzeylerinden tutun.** Kesme aksesuarının "içinden elektrik geçen" bir kabloyla temas etmesi durumunda elektrikli el aletinizin metal parçaları "elektriğe" maruz kalabilir ve operatöre elektrik çarpmasına neden olabilir.
- ▶ **Aletin kablosunu dönen aksesuarlardan uzak tutun.** Kontrolü kaybederseniz kablo kesilebilir veya yakalanabilir ve eliniz veya kolunuz dönen aksesuara doğru çekilebilir.
- ▶ **Elektrikli el aletini asla aksesuar tamamen durmadan elinizden bırakmayın.** Dönen aksesuar yüzeyi yakalayabilir ve elektrikli el aleti kontrolünüzden çıkabilir.
- ▶ **Elektrikli el aletini yanınızda taşırken çalıştırmayın.** Dönen aksesuarla yanlışlıkla temas edilmesi durumunda aksesuar giysilerinizi yakalayabilir ve aksesuarı vücudunuza doğru çekebilir.
- ▶ **Elektrikli el aletinizin hava deliklerini düzenli aralıklarla temizleyin.** Motorun fanı tozu gövdenin içine çeker ve metal tozunun fazla birikmesi elektriksel tehlikeler yaratabilir.

- **Elektrikli el aletini alev alabilecek malzemelerin yakınında çalıştırmayın.** Kıvılcımlar nedeniyle bu malzemeler alev alabilir.
- **Sıvı soğutucular gerektiren aksesuarları kullanmayın.** Su veya başka sıvı soğutucular kullanmak, elektrik çarpmasına veya şokuna neden olabilir.

### Geri Tepme ve İlgili Uyarılar

Geri tepme dönen taşlama disk, destek pedleri, fırçalar veya başka aksesuarların sıkışması veya bir cismin bunlara dolanmasına verilen ani tepkidir. Sıkışma veya dolanma sonucunda dönen aksesuar aniden durur ve bunun sonucunda kontrolden çıkan elektrikli el aleti, aksesuarın bağlantı noktasında dönme yönünün tersine bir kuvvete maruz kalır.

Örneğin bir aşındırma disk iş parçasına sıkışır ve iş parçası diske dolarsa, sıkışma noktasına denk gelen disk kenarı malzemenin yüzünden içeri girer ve diskin dışarı doğru itilmesine veya geri tepmesine neden olur. Bu disk, sıkışma anındaki konumuna bağlı olarak operatöre doğru veya diğer yönde tepki verebilir. Aşındırma diskleri bu koşullar altında ayrıca kırılabilir.

Geri tepme, elektrikli el aletinin yanlış kullanımının ve/veya aşağıdaki uygun önlemlerin alınması ile engellenebilecek çalışma prosedürleri veya koşullarının bir sonucudur.

- **Elektrikli el aletini sıkı biçimde tutun ve vücudunuzu ve kolunuzu geri tepme güçlerine direnebilecek pozisyona getirin. Geri tepme durumunda ve çalıştırma anındaki tork tepkisini maksimum düzeyde kontrol edebilmek için varsa mutlaka ek tutamağı kullanın.** Gerekli önlemler alınırsa operatör tork tepkilerini ve geri tepme kuvvetlerini kontrol edebilir.
- **Asla elinizi dönen aksesuarın yakınında tutmayın.** Aksesuar elinizin üzerine geri tepme kuvveti uygulayabilir.
- **Vücudunuz olası bir geri tepme anında elektrikli el aletinin kuvvet uygulayacağı alanda tutmayın.** Geri tepme elektrikli el aletini sıkıştıran anında disk hareketinin tersine yönde hareket ettirir.
- **Köşelerde, keskin kenarlarda vb. çalışırken özellikle dikkat edin. Aksesuarın zıplamasını veya sıkışmasını engelleyin.** Köşeler, keskin kenarlar veya zıplama neticesinde dönen aksesuar sıkışabilir ve kontrol kaybına veya geri tepmeye neden olabilir.
- **Bir testere zincirine ahşap oyma bıçağı veya dişli testere bıçağı takmayın.** Bu tür bıçaklar sıklıkla geri tepmeye ve kontrol kaybına neden olur.

### Taşlama ve Aşındırıcı Kesme İşlemleri için Güvenlik Uyarıları

- **Sadece elektrikli el aletinin için önerilen disk tiplerini ve seçilen disk için tasarlanmış olan özel koruyucuları kullanın.** Elektrikli el aletinin için tasarlanmamış diskler için yeterli koruma sağlanamaz ve bu nedenle bu diskler güvenli değildir.
- **Merkeze doğru bastırılmış disklerin taşlama yüzeyi, koruma çıkıntısı düzleminin altına monte edilmelidir.** Koruma çıkıntısı düzlemine taşan disk düzgün biçimde takılmamıştır ve bu disk için yeterli koruma sağlanamaz.

- **Koruyucu, elektrikli el aletine güvenli biçimde takılmalı ve maksimum güvenlik sağlayacak biçimde konumlandırılmalıdır, yani diskin mümkün olduğunca az bir miktarı operatöre açık olmalıdır.** Koruyucu; operatörü, kırılan diskin parçalarından, diske yanlışlıkla temas etmekten ve giysilerini tutuşturabilecek kıvılcımlardan korumakta yardımcı olur.
- **Diskler sadece önerilen uygulamalarda kullanılmalıdır. Örneğin kesici disk ile taşlama yapmayın.** Aşındırıcı kesme diskleri çevresel taşlama içindir, bu disklere uygulanacak yanal kuvvetler diskin kırılmasına neden olabilir.
- **Her zaman seçtiğiniz diskin boyutuna ve biçimine uygun, hasar görmemiş disk flanşları kullanın.** Uygun disk flanşları diski destekler ve böylece diskin kırılma olasılığını azaltır. Kesme disklerinin flanşları, taşlama disklerinin flanşlarından farklı olabilir.
- **Daha büyük elektrikli el aletlerinin aşınmış disklerini kullanmayın.** Daha büyük elektrikli el aletleri için tasarlanmış diskler, daha yüksek hızlı ve daha ufak aletlere uygun değildir ve kırılabilir.

### Aşındırıcı kesme işlemleri için özel ek güvenlik uyarıları

- **Kesici diskleri "sıkıştırmayın" veya üzerine fazla baskı uygulamayın. Fazla derin kesimler açmayı denemeyin.** Diske fazla baskı uygulamak yükü ve kesme sırasında diskin sıkışma veya bükülme ihtimalini artırır ve böylece disk kırılması veya geri tepme olasılığını yükseltir.
- **Vücudunuzu dönen diskle aynı hizaya veya diskin arkasına getirmeyin.** Çalışma noktasından eğer disk vücudunuzdan uzaklaşıyorsa, olası bir geri tepme durumunda dönen disk ve elektrikli el aleti size doğru ilerleyecektir.
- **Disk sıkışmışsa veya kesme işlemine herhangi bir nedenden dolayı ara verecekseniz, elektrikli el aletinin güç düğmesinden kapatın ve disk tamamen durana kadar elektrikli el aletini elinizde tutun. Kesici disk kesinlikle disk dönmeye devam ederken kesme noktasından çıkarmayı denemeyin, aksi takdirde geri tepme oluşabilir.** Diskin sıkışmasının nedeni bulun ve problemi çözmek için gereken önlemleri alın.
- **Kesme işleminin yeniden başlamasını çalışma parçası üstünde yapmayın. Kesme noktasına yeniden girmeden önce diskin tam hızına ulaşmasını bekleyin.** Elektrikli el aleti iş parçası içinde çalıştırılırsa disk sıkışabilir, gezebilir veya geri tepebilir.
- **Destek panelleri veya çok büyük boyutlu iş parçaları, disk sıkışması ve geri tepme riskini en aza indirir.** Büyük iş parçalarının kendi ağırlıkları sayesinde sabit durma ihtimali var. İş parçasının altına, kesme hattına yakın biçimde, diskin her iki tarafında da destekler yerleştirilmelidir.
- **Mevcut duvarlarda veya kör alanlarda "cep kesimi" yaparken özellikle dikkat edin.** Çıkıntılı diskler gaz veya su borularını, elektrik hatlarını veya geri tepmeye neden olabilecek nesnelere kesebilir.

**Zımparalama işlemlerine özel güvenlik uyarıları**

- ▶ **Fazla büyük (disk'ten taşmamalı) zımpara diskini kağıdı kullanmayın. Zımpara kağıdı seçerken üreticinin tavsiyelerine uyun.** Zımpara pedinin dışına taşan büyük zımpara kağıtları kesilme tehlikesi oluşturur ve sıkışma, disk kırma veya geri tepmeye neden olabilir.

**Telli fırçalama işlemlerine özel güvenlik uyarıları**

- ▶ **Normal çalışma sırasında bile fırçadaki tellerin dışarı doğru açıldığına dikkat edin. Fırçaya çok fazla yük uygulayıp tellere fazla baskı uygulamayın** Tel kıllar hafif giysilerden ve/veya deriden içeri girebilir.
- ▶ **Telle fırçalama için bir koruyucu öneriliyorsa, tel disk veya fırçanın koruyucuyla temas etmesini engelleyin.** Tel disk veya fırçanın çapı, iş yükü veya merkezkaç kuvvetleri nedeniyle büyüyebilir.

**Ek güvenlik talimatı****Koruyucu gözlük kullanın.**

- ▶ **Görünmeyen iklim hatlarını belirlemek için uygun tarama cihazları kullanın veya yerel tedarik şirketi ile iletişime geçin.** Elektrik kablolarıyla temas yanıklara ve elektrik çarpmasına neden olabilir. Bir gaz borusuna hasar vermek patlamaya neden olabilir. Su borularının hasar görmesi maddi zararlara veya elektrik çarpmasına neden olabilir.
- ▶ **Tam olarak soğumadan önce taşlama ve kesme disklerini tutmayın.** Diskler çalışırken çok ısınır.
- ▶ **Örneğin elektrik kesintisi olduğunda açma/kapama şalterinin kilidini açın ve şalteri kapalı pozisyonuna getirin veya şebeke bağlantı fişini çekin.** Bu yolla aletin kontrol dışı yeniden çalışması önlenir.
- ▶ **İş parçasını emniyete alın.** Bir germe tertibatı veya mengine ile sabitlenen iş parçası elle tutmaya oranla daha güvenli tutulur.

**Ürün ve performans açıklaması**

**Bütün güvenlik talimatını ve uyarıları okuyun.** Güvenlik talimatlarına ve uyarılara uyulmadığı takdirde elektrik çarpmasına, yangına ve/veya ciddi yaralanmalara neden olunabilir.

Lütfen kullanma kılavuzunun ön kısmındaki resimlere dikkat edin.

**Usulüne uygun kullanım**

Bu elektrikli el aleti, su kullanmadan metal ve taş malzemenin kesilmesi, kazınması ve fırçalanması için tasarlanmıştır.

**Teknik veriler**

Taşlama makinesi	GWS 22-180 H	GWS 22-230 H	GWS 22-230 JH	GWS 24-180 H
Malzeme numarası	3 601 H81 1..	3 601 H82 1..	3 601 H82 2..	3 601 H83 1..
Giriş gücü	W	2200	2200	2200

Bağlı taşlama ucu ile kesme işleri yapılırken kesme işlerine ait özel koruyucu kapak kullanılmalıdır.

Taş malzemedeki kesme işleri yapılırken yeterli bir toz emme sağlanmalıdır.

İzin verilen taşlama uçlarıyla bu elektrikli el aleti zımpara kağıdı ile zımparalama işlerinde de kullanılabilir.

**Şekli gösterilen elemanlar**

Şekli gösterilen elemanların numaraları grafik sayfasındaki elektrikli el aleti resmindeki numaralarla aynıdır.

- (1) Mil kilitleme düğmesi
- (2) Açma/kapama şalteri
- (3) İlave tutamak (izolasyonlu tutamak yüzeyi)
- (4) Taşlama mili
- (5) Taşlama için koruyucu kapak (sıkma vidası)
- (6) Koruyucu kapak sabitleme vidası
- (7) O-ringli bağlama flanşı
- (8) Taşlama disk<sup>A)</sup>
- (9) Germe somunu
- (10) Germe somunu için iki pimli anahtar<sup>A)</sup>
- (11) Hızlı germe somunu *SDS-clie*<sup>A)</sup>
- (12) Sert metal çanak disk<sup>A)</sup>
- (13) Kesme için kullanılan koruyucu kapak (sıkma vidası)<sup>A)</sup>
- (14) Kesme disk<sup>A)</sup>
- (15) El koruma parçası<sup>A)</sup>
- (16) Ara kasnaklar<sup>A)</sup>
- (17) Kauçuk zımpara tablası<sup>A)</sup>
- (18) Zımpara kağıdı<sup>A)</sup>
- (19) Yuvarlak başlı somun<sup>A)</sup>
- (20) Çanak fırça<sup>A)</sup>
- (21) Kılavuz kızakla kesme işlerinde toz emme kapağı<sup>A)</sup>
- (22) Elmas kesme disk<sup>A)</sup>
- (23) Tutamak (izolasyonlu tutamak yüzeyi)
- (24) Titreşim engelleme
- (25) Taşlama işleri için koruyucu kapak
- (26) Kod tırnağı
- (27) Koruyucu kapak için sıkma kolu
- (28) Koruyucu kapak ayarı için vida
- (29) Kesme işleri için koruyucu kapak

A) **Şekli gösterilen veya tanımlanan aksesuar standart teslimat kapsamında değildir. Aksesuarın tümünü aksesuar programımızda bulabilirsiniz.**

Taşlama makinesi		GWS 22-180 H	GWS 22-230 H	GWS 22-230 JH	GWS 24-180 H
Çıkış gücü	W	1500	1500	1500	1600
Nominal devir sayısı	dev/dak	8500	6600	6600	8500
Maks. kesme diski çapı	mm	180	230	230	180
Taşlama mili dişi		M 14	M 14	M 14	M 14
Taşlama milinin maksimum diş uzunluğu	mm	25	25	25	25
Yeniden başlatma emniyeti		-	-	●	-
İlk hareket akımı sınırlandırması		-	-	●	-
Döndürülebilir ana kol		-	-	-	-
Boşta çalışma freni		-	-	-	-
Ağırlığı EPTA-Procedure 01:2014 uyarınca					
- Titreşim emici ilave tutamaklı	kg	5,1	5,1	5,3	5,0
- Standart ilave tutamaklı	kg	5,0	5,0	5,2	4,9
Koruma sınıfı		□/II	□/II	□/II	□/II

Taşlama makinesi		GWS 24-230 H	GWS 24-230 JH	GWS 26-180 H
Malzeme numarası		<b>3 601 H84 1..</b>	<b>3 601 H84 2..</b>	<b>3 601 H55 1..</b>
Giriş gücü	W	2400	2400	2600
Çıkış gücü	W	1600	1600	1700
Nominal devir sayısı	dev/dak	6600	6600	8500
Maks. kesme diski çapı	mm	230	230	180
Taşlama mili dişi		M 14	M 14	M 14
Taşlama milinin maksimum diş uzunluğu	mm	25	25	25
Yeniden başlatma emniyeti		-	●	-
İlk hareket akımı sınırlandırması		-	●	-
Döndürülebilir ana kol		-	-	-
Boşta çalışma freni		-	-	-
Ağırlığı EPTA-Procedure 01:2014 uyarınca				
- Titreşim emici ilave tutamaklı	kg	5,2	5,3	6,0
- Standart ilave tutamaklı	kg	5,1	5,2	5,9
Koruma sınıfı		□/II	□/II	□/II

Taşlama makinesi		GWS 26-230 B	GWS 26-230 H	GWS 26-230 H
Malzeme numarası		<b>3 601 H56 3..</b>	<b>3 601 H56 1..</b>	<b>3 601 H56 L..</b>
Giriş gücü	W	2600	2600	2600
Çıkış gücü	W	1700	1700	1700
Nominal devir sayısı	dev/dak	6600	6600	6600
Maks. kesme diski çapı	mm	230	230	230
Taşlama mili dişi		M 14	M 14	M 14
Taşlama milinin maksimum diş uzunluğu	mm	25	25	25
Yeniden başlatma emniyeti		-	-	-
İlk hareket akımı sınırlandırması		-	-	-
Döndürülebilir ana kol		●	-	-
Boşta çalışma freni		-	-	-
Ağırlığı EPTA-Procedure 01:2014 uyarınca				
- Titreşim emici ilave tutamaklı	kg	6,2	6,1	6,1

Taşlama makinesi		GWS 26-230 B	GWS 26-230 H	GWS 26-230 H
– Standart ilave tutamaklı	kg	6,1	6,0	6,0
Koruma sınıfı		□/II	□/II	□/II

Taşlama makinesi		GWS 20-230 H	GWS 24-230 JVX
Malzeme numarası		<b>3 601 H50 1..</b>	<b>3 601 H64 5..</b>
Giriş gücü	W	2000	2400
Çıkış gücü	W	1250	1600
Nominal devir sayısı	dev/dak	6600	6600
Maks. kesme diski çapı	mm	230	230
Taşlama mili dişi		M 14	M 14
Taşlama milinin maksimum dış uzunluğu	mm	25	18
Yeniden başlatma emniyeti		–	–
İlk hareket akımı sınırlandırması		–	●
Döndürülebilir ana kol		–	●
Boşta çalışma freni		–	●
Ağırlığı EPTA-Procedure 01:2014 uyarınca			
– Titreşim emici ilave tutamaklı	kg	5,2	6,5
– Standart ilave tutamaklı	kg	5,1	6,4
Koruma sınıfı		□/II	□/II

Veriler 230 V'luk bir anma gerilimi [U] için geçerlidir. Farklı gerilimlerde ve farklı ülkelere özgü tiplerde bu veril değişebilir.

Sadece start akımı sınırlamalı elektrikli el aletleri için: Açma işlemleri kısa süreli gerilim düşmelerine neden olur. Elverişsiz şebeke koşullarında diğer cihazlar olumsuz yönde etkilenebilir. 0,25 Ohm'dan daha küçük şebeke empedanslarında arıza görülmez.

## Gürültü/Titreşim bilgisi

Gürültü emisyon değerleri **EN 60745-2-3** uyarınca belirlenmektedir.

Elektrikli el aletinin A değerlendirmeli gürültü seviyesi tipik olarak: **93 dB(A)**; gürültü emisyon seviyesi **104 dB(A)**'dir. Tolerans K = **3 dB**.

### Koruyucu kulaklık kullanın!

Toplam titreşim değerleri  $a_h$  (üç yönün vektör toplamı) ve tolerans K **EN 60745-2-3** uyarınca belirlenmektedir:

Yüzey taşlama (kazıma):

$$a_h = 7,5 \text{ m/s}^2, K = 1,5 \text{ m/s}^2$$

Zımpara kağıdı ile zımparalama:

$$a_h = 4,5 \text{ m/s}^2, K = 1,5 \text{ m/s}^2$$

Bu talimatta belirtilen titreşim seviyesi normlandırılmış bir ölçme yöntemi ile ölçülmüştür ve elektrikli el aletlerinin karşılaştırılmasında kullanılabilir. Bu değer geçici olarak titreşim seviyesinin tahmin edilmesine uygundur.

Belirtilen titreşim seviyesi elektrikli el aletinin temel kullanım alanlarını temsil eder. Ancak elektrikli el aleti başka kullanım alanlarında kullanılırken, farklı uçlarla kullanılırken veya yetersiz bakımla kullanılırken, titreşim seviyesi belirtilen değerden farklı olabilir. Bu da kullanıcıya binen titreşim yükünün bütün bir çalışma süresinde belirgin ölçüde yükseltebilir.

Titreşim yükünü tam olarak tahmin edebilmek için aletin kapalı olduğu veya çalıştığı halde kullanılmadığı süreler de dikkate alınmalıdır. Bu, toplam çalışma süresi içindeki titreşim yükünü önemli ölçüde azaltabilir.

Titreşimin kullanıcıya bindirdiği yük için önceden ek güvenlik önlemleri alın. Örneğin: Elektrikli el aletinin ve uçların bakımı, ellerin sıcak tutulması, iş aşamalarının organize edilmesi.

## Montaj

### Koruyucu donanımın takılması

#### ► Elektrikli el aletinin kendinde bir çalışma yapmadan önce her defasında fişi prizden çekin.

**Not:** İşletme esnasında taşlama diskinin kırılmasından veya koruyucu kapakta/elektrikli el aletinde bağlama donanımlarının hasar görmesinden sonra elektrikli el aleti zaman geçirmeden müşteri servisine gönderilmelidir, adresler için „Müşteri servisi ve uygulama danışmanlığı“ bölümüne bakın.

### Taşlama işleri için koruyucu kapak (GWS 24-230 JVX)

Sıkma kolunu (**27**) açın. Koruyucu kapağın bileziği elektrikli el aletinin flanşının üzerine oturuncaya kadar koruyucu kapağı kod tırnağı (**26**) ile birlikte mil boynundaki kodlama oluşuna yerleştirin ve koruyucu kapağı istenen konuma çevirin. Sıkma kolunu (**27**) kapatın.

#### ► Koruyucu kapağı (25) kullanıcı yönünde kıvılcım sıçraması olmayacak biçimde ayarlayın.

Koruyucu kapağın kapanma kuvvetini, ayar vidasını (**28**) gevşeterek veya sıkarak değiştirebilirsiniz. Koruyucu kapağın

yerine sıkı biçimde oturmasına dikkat edin ve bunu düzenli aralıklarla kontrol edin.

**Not:** Koruyucu kapaktaki kod tırnakları sadece elektrikli el aletine uyan bir koruyucu kapağın takılabilemesini sağlar.

#### Taşılama için koruyucu kapak (sıkma vidası)

(GWS 20-230 H / GWS 22-180 H /  
GWS 22-230 H/JH / GWS 24-180 H /  
GWS 24-230 H/JH / GWS 26-180 H /  
GWS 26-230 B/H)

Koruyucu kapağı (5) mil boynuna yerleştirin. Koruyucu kapağın (5) pozisyonunu yaptığınız işe göre ayarlayın ve koruyucu kapağı (5) sabitleme vidası (6) ile kilitleyin.

► **Koruyucu kapağı (5) kullanıcı yönünde kıvılcım sıçraması olmayacak biçimde ayarlayın.**

#### Kesme işleri için koruyucu kapak

► **Bağlı zımparalama kağıtları ile kesim yaparken her zaman kesme işleri için öngörülen koruyucu kapağı kullanın (13)(29).**

► **Taşa kesme yaparken yeterli bir toz emme donanımı kullanın.**

Kesme işleri için öngörülen koruyucu kapak (13)/(29) taşılama işleri için öngörülen koruyucu kapak gibi takılır.

#### Kılavuz kızakla kesme işleri için emici kapak

Kılavuz kızakla kesme işleri için toz emme kapağı (21) taşılama işleri için öngörülen koruyucu kapak gibi takılır.

#### Ek tutamak

► **Elektrikli el aletinizi sadece ek tutamakla (3) kullanın.**

Ek tutamağı (3) çalışma durumunuza göre şanzıman başının sağına veya soluna vidalayın.

#### Titreşim engelleme

(GWS 24-230 JVX)



Entegre titreşim engelleme, meydana gelen titreşimleri azaltır.

► **Sönümleme elemanı hasar gördüğünde elektrikli el aletini kullanmaya devam etmeyin.**

#### El koruma parçası

► **Kauçuk zımpara tablası (17) veya çanak fırça/disk fırça/yelpaze taşıyıcı ile çalışırken her zaman el koruma parçasını (15) takın.**

El koruma parçasını (15) ek tutamağa (3) sabitleyin.

#### Zımpara uçlarının takılması

► **Elektrikli el aletin kendinde bir çalışma yapmadan önce her defasında fişi prizden çekin.**

► **Tam olarak soğumadan önce taşılama ve kesme disklerini tutmayın.** Diskler çalışırken çok ısınır.

Taşılama milini (4) ve takılan bütün parçaları temizleyin.

Taşılama ucunu sıkıca ve gevşetmek için taşılama milini sabitlemek üzere mil kilitleme tuşuna (1) basın.

► **Mil kilitleme tuşunu sadece taşılama mili dururken kullanın.** Aksi takdirde elektrikli el aleti hasar görebilir.

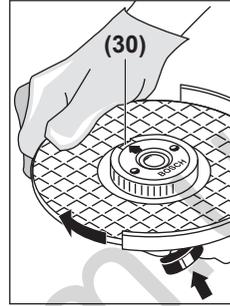
#### Hızlı germe somunu SDS-*clic*

Yardımcı herhangi bir alet kullanmadan taşılama uçlarını kolayca değiştirmek için germe somunu (9) yerine hızlı germe somunu (11) kullanın.

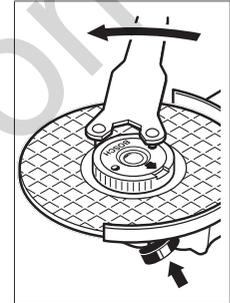
► **Hızlı germe somunu (11) sadece taşılama veya kesme diskleri için kullanılabilir.**

**Sadece kusursuz ve hasarsız hızlı germe somunu (11) kullanın.**

**Vidalama yaparken hızlı germe somununun (11) yazılı tarafının taşılama diskini göstermemesine dikkat edin; ok endeks işaretini (30) göstermelidir.**



Taşılama milini sabitlemek için mil kilitleme tuşuna (1) basın. Hızlı germe somununu sıkıca taşılama diskini saat hareket yönünde kuvvetlice çevirin.



Ulusüne uygun olarak takılmış ve hasarsız bir hızlı germe somununu tırtıllı halkayı saat hareket yönünün tersine çevirerek gevşetebilirsiniz. **Sıkışan hızlı germe somununu hiçbir zaman bir pense ile gevşetmeyin, iki pimli anahtarı kullanın.** İki pimli anahtarı resimde görüldüğü gibi yerleştirin.

#### Taşılama/kesme disk

Taşılama uçlarının boyutlarına dikkat edin. Delik çapı bağlama flanşına uymalıdır. Adaptör veya redüktör parçalarını kullanmayın.

Elmas kesme diskleri kullanırken, elmas kesme disk üzerindeki dönme yönü ile elektrikli el aletin dönme yönünün (şanzıman başındaki dönme yönü okuna bakın) birbirine uyumlu olmasına dikkat edin.

Montaj işleminin sırası grafik sayfasında görülmektedir.

Taşılama/kesme diskini sabitlemek için sıkma somununu (9) takın ve iki pimli anahtarla sıkın. Bakınız: Bölüm(Bakınız „Hızlı germe somunu SDS-*clic*“, Sayfa 36).

► **Ucu takıp aleti çalıştırmadan önce, ucun kusursuz biçimde takılıp takılmadığını ve serbest olarak dönüp dönmediğini kontrol edin. Ucun koruyucu kapağa veya diğer parçalara temas etmediğinden emin olun.**



Bağlama flanşına (7) merkezleme bundu çevresinde bir plastik parça (O-ring) takılıdır. **O-ring yoksa veya hasarlı ise**, bağlama flanş (7) çalışmaya başlamadan önce mutlaka değiştirilmelidir.

#### Yelpaze taşlama ucu

- **Yelpaze taşlama ucu ile çalışmak için daima el koruma parçasını (15) takın.**

#### Kauçuk zımpara tablası

- **Kauçuk zımpara tablası (17) ile çalışmak için daima el koruma parçasını (15) takın.**

Montaj işleminin sırası grafik sayfasında görülmektedir. Kauçuk zımpara tablasını (17) önce 2 ara kasnağı (16) taşlama miline (4) yerleştirin.

(GWS 20-230 H / GWS 22-180 H / GWS 22-230 H/JH / GWS 24-180 H / GWS 24-230 H/JH / GWS 26-180 H / GWS 26-230 B/H).

Yuvarlak başlı somunu (19) vidalayın ve iki pimli anahtarla sıkın.

**Not:** Yuvarlak başlı somun (19) gevşetilirken biraz fazla kuvvet gerekeceği dikkate alınmalıdır (GWS 24-230 JVX).

#### Çanak fırça/disk fırça

- **Çanak fırça veya disk fırça ile çalışırken daima el koruma parçasını (15) takın.**

Montaj işleminin sırası grafik sayfasında görülmektedir. Çanak fırçayı/disk fırçayı taşlama miline, taşlama mili dişinin sonundaki taşlama mili flanşına sıkıca oturacak biçimde vidalayın. Çanak fırçayı/disk fırçayı bir çatal anahtarla sıkın.

**Not:** Taşlama ucu gevşetilirken biraz fazla kuvvet gerekeceği dikkate alınmalıdır (GWS 24-230 JVX).

#### Kullanımına izin verilen taşlama uçları

Bu kullanım kılavuzunda belirtilen bütün taşlama uçlarını kullanabilirsiniz.

Kullanılan taşlama ucunun izin verilen devir sayısı [dev/dak] veya çevre hızı [m/s] en azından aşağıdaki tabloda belirtilen değere uymalıdır.

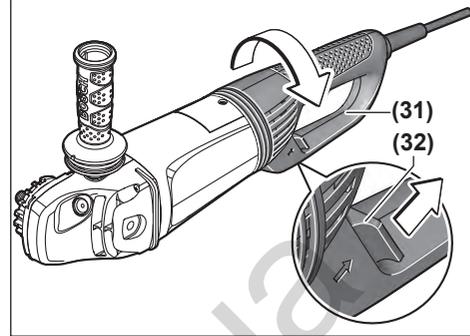
Bu nedenle taşlama ucu etiketi üstünde bulunan izin verilen devir sayısına veya çevre hızına dikkat edin.

	maks. [mm]		[mm]		
	D	b	d	[dev/dak]	[m/sn]
	180	8	22,2	8500	80
	230	8	22,2	6600	80
	180	-	-	8500	80
	230	-	-	6600	80
	100	30	M 14	8500	45

#### Ana kolun çevrilmesi

(GWS 24-230 JVX / GWS 26-230 B)

- **Elektrikli el aletinin kendinde bir çalışma yapmadan önce her defasında fişi prizden çekin.**



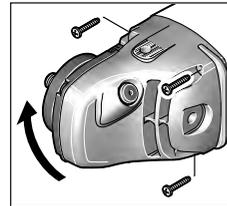
Ana kol (31) motor yuvasına göre 90° sola veya sağa döndürülebilir. Bu sayede açma/kapama şalteri özel çalışma durumlarında kullanılmaya uygun duruma getirilebilir, örneğin kılavuz kızaklı ve toz emme kapaklı (21) kesme işlerinde veya sol elini kullananlarda.

Kilit açma kolunu (32) ok yönünde çekin ve aynı anda ana kolu (31) yerine oturana kadar istediğiniz pozisyona çevirin.

#### Şanzıman başının çevrilmesi

(GWS 20-230 H / GWS 22-180 H / GWS 22-230 H/JH / GWS 24-180 H / GWS 24-230 H/JH / GWS 26-180 H / GWS 26-230 B/H)

- **Elektrikli el aletinin kendinde bir çalışma yapmadan önce her defasında fişi prizden çekin.**



Şanzıman başını 90° adımlar halinde çevirebilirsiniz. Bu sayede açma/kapama şalteri özel çalışma durumlarında kullanılmaya uygun duruma getirilebilir, örneğin kılavuz kızaklı ve toz emme kapaklı (21) kesme işlerinde veya sol elini kullananlarda.

4 vidayı da sökün. Şanzıman

başını dikkatlice **ve gövdeden çıkarmadan** yeni pozisyona getirin. 4 vidayı tekrar sıkın.

#### Toz ve taş emme

Kurşun içeren boyalar, bazı ahşap türleri, mineraller ve metaller gibi maddeler işlenirken ortaya çıkan toz sağlığa zararlı olabilir. Bu tozlara temas etmek veya bu tozları solumak alerjik reaksiyonlara ve/veya kullanıcının veya onun yakınındaki kişilerin nefes alma yollarındaki hastalıklara neden olabilir.

Kayın veya meşe gibi bazı ağaç tozları kanserojen etkiye sahiptir, özellikle de ahşap işleme sanayiinde kullanılan katkı maddeleri (kromat, ahşap koruyucu maddeler) ile birlikte.

Asbest içeren malzemeler sadece uzmanlar tarafından işlenmelidir.

- Mümkün olduğu kadar işlediğiniz malzemeye uygun bir toz emme tertibatı kullanın.
- Çalışma yerinizi iyi bir biçimde havalandırın.
- P2 filtre sınıfı filtre takılı soluk alma maskesi kullanmanızı tavsiye ederiz.

İşlenen malzemelere ait ülkenizdeki geçerli yönetmelik hükümlerine uyun.

- ▶ **Çalıştığınız yerde toz birikmemesine dikkat edin.**  
Tozlar kolayca alevlenebilir.

## İşletim

### Çalıştırma

- ▶ **Şebeke gerilimine dikkat edin! Akım kaynağının gerilimi elektrikli el aletinin tip etiketinde belirtilen gerilimle aynı olmalıdır. 230V ile işaretlenmiş elektrikli el aletleri 220V ile de çalıştırılabilir.**

Elektrikli el aleti, yeterli güç rezervine veya start akımı destekli uygun gerilim regülasyonuna sahip olmayan mobil akım üreteçlerinde (jeneratörlerde) çalıştırılırken, çalıştırma esnasında performans düşmeleri veya tipik olmayan tepkiler görülebilir.

Lütfen özellikle şebeke gerilimi ve frekansı olmak üzere kullandığınız akım üreticinin uygunluğuna dikkat edin.

### Açma/kapama

Elektrikli el aletini **çalıştırmak** için açma/kapama şalterini **(2)** öne itin ve sonra bastırın.

**Sabitlemek (2)** için açma/kapama şalterini **(2)** öne doğru itin.

Elektrikli el aletini **kapatmak** için açma/kapama şalterini **(2)** bırakın veya kilitle i se açma/kapama şalterine **(2)** kısaca basın ve şalteri tekrar bırakın.

Enerjiden tasarruf etmek için elektrikli el aletini sadece kullandığınızda açın.

### Kilitsiz şalter tipi (ülkelere özgü):

Elektrikli el aletini **çalıştırmak** için açma/kapama şalterini **(2)** öne itin ve daha sonra şaltere bastırın.

Elektrikli el aletini **kapatmak** için açma/kapama şalterini **(2)** bırakın.

- ▶ **Kullanmadan önce taşlama uçlarını kontrol edin.**  
**Taşlama ucu kusursuz biçimde takılmış olmalı ve hiçbir yere temas etmeden serbestçe dönebilmelidir. Aleti boşta en azından 1 dakika deneme çalıştırmasında çalıştırın. Hasar görmüş, yuvarlaklığını kaybetmiş veya titreşim yapan taşlama uçları kullanmayın.** Hasarlı zımpara uçları parçalanabilir ve yaralanmalara neden olabilir.

### Boşta çalışma freni (GWS 24-230 JVX)



Elektrikli el aleti, patentli bir elektromekanik boşta çalışma freni olan Bosch Fren Sistemine sahiptir. Güç kaynağı kapatıldığında veya kesintiye uğradığında taşlama makinesi birkaç saniye içinde durur. Bu, boşta çalışma freni olmayan taşlama makinelerine göre bu taşlama makinelerinin %70 daha kısa sürede durmasını sağlar ve elektrikli el aletinin daha çabuk elden bırakılabilmesini sağlar.

**Not:** Frenleme etkisi belirgin ölçüde azalırsa, boşta çalışma freni devre dışı kalmıştır. Bu durumda elektrikli el aleti zaman geçirmeden müşteri servisine gönderilmelidir, adresler için "Müşteri servisi ve uygulama danışmanlığı" bölümüne bakın.

### Tekrar çalışma emniyeti

#### (GWS 22-230 JH / GWS 24-230 JH)

Yeniden başlatma emniyeti, elektrik beslemesinin kesilmesinden sonra elektrikli el aletinin kontrol dışı çalışmasını önler.

Aleti **tekrar çalıştırmak** için açma/kapama şalterini **(2)** kapalı pozisyonuna getirin ve elektrikli el aletini yeniden açın.

### İlk hareket akımı sınırlandırması

#### (GWS 22-230 JH / GWS 24-230 JH/JVX)

Elektronik ilk hareket akımı sınırlandırması başlangıç anında elektrikli el aletinin performansını sınırlandırır ve 16A'lık sigorta ile çalışma olanağı sağlar.

**Not:** Elektrikli el aleti açıldıktan hemen sonra tam devir sayısı ile çalışıyorsa ilk hareket akımı sınırlandırması ve yeniden başlatma emniyeti arızalı demektir. Bu durumda elektrikli el aleti zaman geçirmeden müşteri servisine gönderilmelidir, adresler için "Müşteri servisi ve uygulama danışmanlığı" bölümüne bakın.

### Çalışırken dikkat edilecek hususlar

- ▶ Elektrikli el aletinin kendinde bir çalışma yapmadan önce her defasında fişi prizden çekin.
- ▶ Taşıyıcı duvarlarda oluk açarken dikkatli olun, „Statik hakkında açıklamalar“ bölümüne bakın.
- ▶ Kendi ağırlığı ile güvenli biçimde durmuyorsa iş parçasını sabitleyin.
- ▶ Elektrikli el aletini duracak ölçüde zorlamayın
- ▶ Zorlanan elektrikli el aletinin ucunun soğumasını sağlamak üzere birkaç dakika boşta çalıştırın.
- ▶ Tam olarak soğumadan önce taşlama ve kesme disklerini tutmayın. Diskler çalışırken çok ısınır.
- ▶ Bu elektrikli el aletini kesici taşlama tezgahında kullanmayın.

**Not:** Aleti kullanmadığınız zamanlar fişi prizden çekin. Fiş takılı ve şebekede gerilim varsa elektrikli el aleti kapalı da olsa belli miktarda akım tüketir.

### Kazıyıcı taşlama

- ▶ Kesme disklerini hiçbir zaman kazıyıcı taşlama için kullanmayın.

30° ile 40° arasında bir yerleştirme açısı ile kazıyıcı taşlama işlerinde en iyi sonuçları alırsınız. Elektrikli el aletini hafifçe bastırarak ileri geri hareket ettirin. Bu sayede iş parçası aşırı

ölçüde ısınmaz, rengini değiştirmez ve yüzeyde oluklar/ çizikler oluşmaz.

### Flap zımpara disk

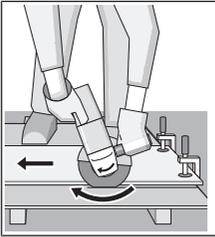
Flap zımpara disk ile (aksesuar) bombeli yüzeyleri ve profilleri de işleyebilirsiniz. Flap zımpara diskleri geleneksel taşlama disklerine oranla çok daha uzun kullanım ömrüne, düşük gürültü seviyesine ve düşük taşlama sıcaklıklarına sahiptir.

### Metallerin kesilmesi

#### Bağlı zımparalama kağıtları ile kesim yaparken her zaman kesme işleri için öngörülen koruyucu kapağı kullanın (13)(29).

Kesici taşlama işlerinde hafif bastırma gücü ve işlediğiniz malzemeye uygun tempo ile çalışın. Kesme diskinin üzerine baskı uygulamayın, diskli açıldırmanın veya titretmeyin.

Serbest dönüş halindeki kesme disklerini yan taraftan bastırarak frenlemeyin.



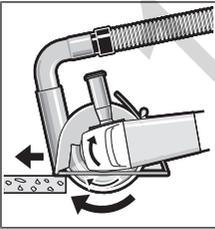
Elektrikli el aleti her zaman ters yönüde kullanılmalıdır. Aksi takdirde aletin **kontrol dışında** kesim yerinden dışarı çıkma tehlikesi vardır. Profiller ve dört köşe borular kesilirken en küçük kesiti kullanın.

#### Taş malzemenin kesilmesi

- ▶ **Taşa kesme yaparken yeterli bir toz emme donanımı kullanın.**
- ▶ **Koruyucu toz maskesi kullanın.**
- ▶ **Bu elektrikli el aleti sadece kuru kesme/kuru taşlama işlerinde kullanılabilir.**

Taş malzemeyi keserken elmas kesme diskleri kullanın.

Kılavuz kızakla kesme işlerinde emici kapak (21) kullanılırken toz emme donanımı taş tozunun emilmesine uygun olmalıdır. Bosch uygun elektrikli süpürgeler sunar.



Elektrikli el aletini açın ve kılavuz kızığın ön parçasını iş parçası üzerine yerleştirin. Elektrikli el aletini hafif bir bastırma kuvveti ve işlediğiniz malzemeye uygun bir tempo ile itin.

Örneğin yüksek çakıl içerikli beton gibi özellikle sert

malzemeleri kesersen elmas kesme diskleri aşırı ölçüde ısınabilir ve hasar görebilir. Elmas kesme diskleri çevresindeki kıvılcım oluşumu bu durumu belli eder.

Bu gibi durumlarda kesme işlemine ara verin ve soğumasını sağlamak üzere elmas kesme diskini boşta en yüksek devir sayısı ile kısa süre çalıştırın.

Düşen iş performansı ve aşırı kıvılcım oluşumu elmas kesme diskinin körelendiğini gösterir. Körelen elmas kesme disklerini örneğin kireçli kum taşı gibi aşındırıcı malzemede kısa süreli kesme yaparak tekrar bileyebilirsiniz.

### Statik hakkında açıklamalar

Taşıyıcı duvarlarda açılan oluklar/yarıklar DIN 1053 Kısım 1 hükümlerine veya ülkelere özgü mevzuata tabidir. Bu hükümlere mutlaka uyulmalıdır. Çalışmaya başlamadan önce sorumlu statikçilere, mimarlara veya yetkili şantiye müdürüne danışın.

## Bakım ve servis

### Bakım ve temizlik

- ▶ **Elektrikli el aletinin kendinde bir çalışma yapmadan önce her defasında fişi prizden çekin.**
- ▶ **İyi ve güvenli çalışabilmek için elektrikli el aletini ve havalandırma aralıklarını temiz tutun.**
- ▶ **Aşırı kullanım koşullarında mümkün bir emme donanımı kullanın. Havalandırma deliklerini sık sık basınçlı hava ile temizleyin ve bir hatalı akım koruma şalteri (PRCD) kullanın.** Metaller işlenirken elektrikli el aletinin içinde iletken tozlar birikebilir. Ve bu da elektrikli el aletinin koruyucu izolasyonunu olumsuz yönde etkileyebilir.

Aksesuarı dikkatli biçimde depolayın ve kullanın.

Bağlantı kablosunun değiştirilmesi gerekli ise, güvenlik nedenlerinden dolayı bu tertibat **Bosch**'den veya **Bosch** elektrikli el aletleri yetkili servisinden temin edilmelidir.

### Müşteri servisi ve uygulama danışmanlığı

Müşteri servisleri ürününüzün onarım ve bakımı ile yedek parçalarına ait sorularınızı yanıtladınır. Tehlike işaretlerini ve yedek parçalara ait bilgileri şu sayfada da bulabilirsiniz: [www.bosch-pt.com](http://www.bosch-pt.com)

Bosch uygulama danışma ekibi ürünlerimiz ve aksesuarları hakkındaki sorularınızda sizlere memnuniyetle yardımcı olur.

Bütün başvuru ve yedek parça siparişlerinizde ürünün tip etiketi üzerindeki 10 haneli malzeme numarasını mutlaka belirtin.

**Sadece Türkiye için geçerlidir: Bosch genel olarak yedek parçaları 7 yıl hazır tutar.**

### Türkçe

Marmara Elektrikli El Aletleri Servis Hizmetleri Sanayi ve Ticaret Ltd. Şti.

Tersane cd. Zencefil Sok.No:6 Karaköy

Beyoğlu / İstanbul

Tel.: +90 212 2974320

Fax: +90 212 2507200

E-mail: [info@marmarabps.com](mailto:info@marmarabps.com)

Bağrıaçıklar Oto Elektrik

Motorlu Sanayi Çarşısı Doğruer Sk. No:9

Selçuklu / Konya

Tel.: +90 332 2354576

Tel.: +90 332 2331952

Fax: +90 332 2363492

E-mail: [bagriaciklarotoelektrik@gmail.com](mailto:bagriaciklarotoelektrik@gmail.com)

Akgül Bobinaj ve Malzemeleri Üretim Pazarlama

Alaaddinbey Mahallesi 637. Sokak No:48/C

Nilüfer / Bursa

Tel: +90 224 443 54 24  
 Fax: +90 224 271 00 86  
 E-mail: satis@akgulbobinaj.com  
 Ankaralı Elektrik  
 Eski Sanayi Bölgesi 3. Cad. No: 43  
 Kocasinan / KAYSERİ  
 Tel.: +90 352 3364216  
 Tel.: +90 352 3206241  
 Fax: +90 352 3206242  
 E-mail: gunay@ankarali.com.tr

Asal Bobinaj  
 Eski Sanayi Sitesi Barbaros Cad. No: 24/C  
 Canik / Samsun  
 Tel.: +90 362 2289090  
 Fax: +90 362 2289090  
 E-mail: bpsasalbobinaj@hotmail.com

Aygem Elektrik Makine Sanayi ve Tic. Ltd. Şti.  
 10021 Sok. No: 11 AOSB  
 Çiğli / İzmir  
 Tel.: +90232 3768074  
 Fax: +90 232 3768075  
 E-mail: boschservis@aygem.com.tr

Bakırcıoğlu Elektrik Makine Hırdavat İnşaat Nakliyat Sanayi  
 ve Ticaret Ltd. Şti.  
 Karaağaç Mah. Sümerbank Cad. No:18/4  
 Merkez / Erzincan  
 Tel.: +90 446 2230959  
 Fax: +90 446 2240132  
 E-mail: bilgi@korfezelektrik.com.tr

Bosch Sanayi ve Ticaret A.Ş.  
 Elektrikli El Aletleri  
 Aydınevler Mah. İnönü Cad. No: 20  
 Küçükyalı Ofis Park A Blok  
 34854 Maltepe-İstanbul  
 Tel.: 444 80 10  
 Fax: +90 216 432 00 82  
 E-mail: iletisim@bosch.com.tr  
 www.bosch.com.tr

Bulsan Elektrik  
 İstanbul Cad. Devrez Sok. İstanbul Çarşısı  
 No: 48/29 İskitler  
 Ulus / Ankara  
 Tel.: +90 312 3415142  
 Tel.: +90 312 3410302  
 Fax: +90 312 3410203  
 E-mail: bulsanbobinaj@gmail.com

Çözüm Bobinaj  
 Küşet San.Sit.A Blok 11Nolu Cd.No:49/A  
 Şehitkamil/Gaziantep  
 Tel.: +90 342 2351507  
 Fax: +90 342 2351508  
 E-mail: cozumbobinaj2@hotmail.com

Onarım Bobinaj  
 Raif Paşa Caddesi Çay Mahallesi No:67  
 İskenderun / HATAY  
 Tel.: +90 326 613 75 46  
 E-mail: onarim\_bobinaj31@mynet.com

Faz Makine Bobinaj  
 Cumhuriyet Mah. Sanayi Sitesi Motor  
 İşleri Bölümü 663 Sk. No:18  
 Murat Paşa / Antalya  
 Tel.: +90 242 3465876  
 Tel.: +90 242 3462885  
 Fax: +90 242 3341980  
 E-mail: info@fazmakina.com.tr

Günşah Otomotiv Elektrik Endüstriyel Yapı Malzemeleri San  
 ve Tic. Ltd. Şti  
 Beylikdüzü Sanayi Sit. No: 210  
 Beylikdüzü / İstanbul  
 Tel.: +90 212 8720066  
 Fax: +90 212 8724111  
 E-mail: gunsaelektrik@ttmail.com

Sezmen Bobinaj Elektrikli El Aletleri İmalatı San ve Tic. Ltd.  
 Şti.  
 Ege İş Merkezi 1201/4 Sok. No: 4/B  
 Yenişehir / İzmir  
 Tel.: +90 232 4571465  
 Tel.: +90 232 4584480  
 Fax: +90 232 4573719  
 E-mail: info@sezmenbobinaj.com.tr

Üstündağ Bobinaj ve Soğutma Sanayi  
 Nusretiye Mah. Boyacılar Aralığı No: 9  
 Çorlu / Tekirdağ  
 Tel.: +90 282 6512884  
 Fax: +90 282 6521966  
 E-mail: info@ustundagsogutma.com

İŞIKLAR ELEKTRİK BOBİNAJ  
 Karasoku Mahallesi 28028. Sokak No:20/A  
 Merkez / ADANA  
 Tel.: +90 322 359 97 10 - 352 13 79  
 Fax: +90 322 359 13 23  
 E-mail: isiklar@isiklarelektrik.com

#### **Kırgızistan, Moğolistan, Tacikistan, Türkmenistan, Özbekistan**

TOO "Robert Bosch" Power Tools, Satış Sonrası Servis  
 Muratbaev Cad., 180  
 050012, Almatı, Kazakistan  
 Servis E-posta: service.pt.ka@bosch.com  
 Resmi İnternet Sitesi: www.bosch.com, www.bosch-pt.com

#### **Tasfiye**

Elektrikli el aleti, aksesuar ve ambalaj malzemesi çevre dostu bir yöntemle tasfiye edilmek üzere tekrar kazanım merkezine gönderilmelidir.



Elektrikli el aletlerini evsel çöplerin içine atmayın!

#### **Sadece AB ülkeleri için:**

Eski elektrikli el aletleri ve elektronik aletlere ilişkin 2012/19/EU sayılı Avrupa Birliği yönetmeliği ve bunların tek tek ülkelerin hukuklarına uyarlanması uyarınca, kullanım ömrünü tamamlamış elektrikli el aletleri ayrı ayrı toplanmak ve çevre dostu bir yöntemle tasfiye edilmek üzere yeniden kazanım merkezlerine gönderilmek zorundadır.

## Русский

### Только для стран Евразийского экономического союза (Таможенного союза)

В состав эксплуатационных документов, предусмотренных изготовителем для продукции, могут входить настоящее руководство по эксплуатации, а также приложения. Информация о подтверждении соответствия содержится в приложении.

Информация о стране происхождения указана на корпусе изделия и в приложении.

Дата изготовления указана на последней странице обложки Руководства.

Контактная информация относительно импортера содержится на упаковке.

#### Срок службы изделия

Срок службы изделия составляет 7 лет. Не рекомендуется к эксплуатации по истечении 5 лет хранения с даты изготовления без предварительной проверки (дату изготовления см. на этикетке).

Указанный срок службы действителен при соблюдении потребителем требований настоящего руководства.

#### Перечень критических отказов

- не использовать при сильном искрении
- не использовать при появлении сильной вибрации
- не использовать с перебитым или оголённым электрическим кабелем
- не использовать при появлении дыма непосредственно из корпуса изделия

#### Возможные ошибочные действия персонала

- не использовать с поврежденной рукояткой или поврежденным защитным кожухом
- не использовать на открытом пространстве во время дождя
- не включать при попадании воды в корпус

#### Критерии предельных состояний

- перетёрт или повреждён электрический кабель
- поврежден корпус изделия

#### Тип и периодичность технического обслуживания

- Рекомендуется очистить инструмент от пыли после каждого использования.

#### Хранение

- необходимо хранить в сухом месте
- необходимо хранить вдали от источников повышенных температур и воздействия солнечных лучей
- при хранении необходимо избегать резкого перепада температур
- хранение без упаковки не допускается
- подробные требования к условиям хранения смотрите в ГОСТ 15150 (Условие 1)

- Хранить в упаковке предприятия – изготовителя в складских помещениях при температуре окружающей среды от +5 до +40 °С. Относительная влажность воздуха не должна превышать 80 %.

#### Транспортировка

- категорически не допускается падение и любые механические воздействия на упаковку при транспортировке
- при разгрузке/погрузке не допускается использование любого вида техники, работающей по принципу зажима упаковки
- подробные требования к условиям транспортировки смотрите в ГОСТ 15150 (Условие 5)
- Транспортировать при температуре окружающей среды от –50 °С до +50 °С. Относительная влажность воздуха не должна превышать 100 %.

## Указания по технике безопасности

### Общие указания по технике безопасности для электроинструментов

#### **ПРЕДУПРЕЖДЕНИЕ**

Прочтите все указания и инструкции по технике безопасности. Несоблюдение указаний и инструкций по технике безопасности может стать причиной поражения электрическим током, пожара и тяжелых травм.

**Сохраняйте эти инструкции и указания для будущего использования.**

Использованное в настоящих инструкциях и указаниях понятие «электроинструмент» распространяется на электроинструмент с питанием от сети (с сетевым шнуром) и на аккумуляторный электроинструмент (без сетевого шнура).

#### Безопасность рабочего места

- ▶ **Содержите рабочее место в чистоте и хорошо освещенным.** Беспорядок или неосвещенные участки рабочего места могут привести к несчастным случаям.
- ▶ **Не работайте с электроинструментами во взрывоопасной атмосфере, напр., содержащей горючие жидкости, воспламеняющиеся газы или пыль.** Электроинструменты искрят, что может привести к воспламенению пыли или паров.
- ▶ **Во время работы с электроинструментом не допускайте близко к Вашему рабочему месту детей и посторонних лиц.** Отвлечшись, Вы можете потерять контроль над электроинструментом.
- ▶ Оборудование предназначено для работы в бытовых условиях, коммерческих зонах и общественных местах, производственных зонах с малым электропотреблением, без воздействия вредных и опасных производственных факторов. Оборудование предназначено для эксплуатации без постоянного присутствия обслуживающего персонала.

### Электробезопасность

- ▶ **Штепсельная вилка электроинструмента должна подходить к штепсельной розетке. Ни в коем случае не вносите изменения в штепсельную вилку. Не применяйте переходные штекеры для электроинструментов с защитным заземлением.** Измененные штепсельные вилки и подходящие штепсельные розетки снижают риск поражения электротоком.
- ▶ **Предотвращайте телесный контакт с заземленными поверхностями, как то: с трубами, элементами отопления, кухонными плитами и холодильниками.** При заземлении Вашего тела повышается риск поражения электротоком.
- ▶ **Защищайте электроинструмент от дождя и сырости.** Проникновение воды в электроинструмент повышает риск поражения электротоком.
- ▶ **Не разрешается использовать шнур не по назначению. Никогда не используйте шнур для транспортировки или подвески электроинструмента, или для извлечения вилки из штепсельной розетки. Защищайте шнур от воздействия высоких температур, масла, острых кромок или подвижных частей электроинструмента.** Поврежденный или спутанный шнур повышает риск поражения электротоком.
- ▶ **При работе с электроинструментом под открытым небом применяйте пригодные для этого кабели-удлинители.** Применение удобного для работы под открытым небом кабеля-удлинителя снижает риск поражения электротоком.
- ▶ **Если невозможно избежать применения электроинструмента в сыром помещении, подключайте электроинструмент через устройство защитного отключения.** Применение устройства защитного отключения снижает риск электрического поражения.

### Личная безопасность

- ▶ **Будьте внимательны, следите за тем, что делаете, и продуманно начинайте работу с электроинструментом. Не пользуйтесь электроинструментом в усталом состоянии или под воздействием наркотиков, алкоголя или лекарственных средств.** Один момент невнимательности при работе с электроинструментом может привести к серьезным травмам.
- ▶ **Применяйте средства индивидуальной защиты. Всегда носите защитные очки.** Использование средств индивидуальной защиты, как то: защитной маски, обуви на нескользящей подошве, защитного шлема или средств защиты органов слуха, в зависимости от вида работы с электроинструментом снижает риск получения травм.
- ▶ **Предотвращайте непреднамеренное включение электроинструмента. Перед тем как подключить электроинструмент к сети и/или к аккумулятору, поднять или переносить электроинструмент, убедитесь, что он выключен.** Удержание пальца на выключателе при транспортировке электроинструмента

и подключение к сети питания включенного электроинструмента чревато несчастными случаями.

- ▶ **Убирайте установочный инструмент или гаечные ключи до включения электроинструмента.** Инструмент или ключ, находящийся во вращающейся части электроинструмента, может привести к травмам.
- ▶ **Не принимайте неестественное положение корпуса тела. Всегда занимайте устойчивое положение и сохраняйте равновесие.** Благодаря этому Вы можете лучше контролировать электроинструмент в неожиданных ситуациях.
- ▶ **Носите подходящую рабочую одежду. Не носите широкую одежду и украшения. Не подставляйте волосы, одежду и перчатки под движущиеся части.** Широкая одежда, украшения или длинные волосы могут быть затянуты вращающимися частями.
- ▶ **При наличии возможности установки пылеотсасывающих и пылесборных устройств проверяйте их присоединение и правильное использование.** Применение пылеотсоса может снизить опасность, создаваемую пылью.
- ▶ **ВНИМАНИЕ!** В случае возникновения перебоя в работе электроинструмента вследствие полного или частичного прекращения энергоснабжения или повреждения цепи управления энергоснабжением установите выключатель в положение Выкл., убедившись, что он не заблокирован (при его наличии). Отключите сетевую вилку от розетки или отсоедините съёмный аккумулятор. Этим предотвращается неконтролируемый повторный запуск.
- ▶ **Квалифицированный персонал в соответствии с настоящим руководством подразумевает лиц, которые знакомы с регулировкой, монтажом, вводом эксплуатацию обслуживанием электроинструмента.**
- ▶ **К работе с электроинструментом допускаются лица не моложе 18 лет, изучившие техническое описание, инструкцию по эксплуатации и правила безопасности.**
- ▶ **Изделие не предназначено для использования лицами (включая детей) с пониженными физическими, чувственными или умственными способностями или при отсутствии у них жизненного опыта или знаний, если они не находятся под контролем или не проинструктированы об использовании электроинструмента лицом, ответственным за их безопасность.**

### Применение электроинструмента и обращение с ним

- ▶ **Не перегружайте электроинструмент. Используйте для работы соответствующий специальный электроинструмент.** С подходящим электроинструментом Вы работаете лучше и надежнее в указанном диапазоне мощности.
- ▶ **Не работайте с электроинструментом при неисправном выключателе.** Электроинструмент, который не поддается включению или выключению, опасен и должен быть отремонтирован.
- ▶ **До начала наладки электроинструмента, перед заменой принадлежностей и хранением отключите**

штепсельную вилку от розетки сети и/или извлеките аккумулятор. Эта мера предосторожности предотвращает непреднамеренное включение электроинструмента.

- ▶ **Храните электроинструменты в недоступном для детей месте. Не разрешайте пользоваться электроинструментом лицам, которые не знакомы с ним или не читали настоящих инструкций.** Электроинструменты опасны в руках неопытных лиц.
- ▶ **Тщательно ухаживайте за электроинструментом. Проверяйте безупречную функцию и ход движущихся частей электроинструмента, отсутствие поломок или повреждений, отрицательно влияющих на функцию электроинструмента. Поврежденные части должны быть отремонтированы до использования электроинструмента.** Плохое обслуживание электроинструментов является причиной большого числа несчастных случаев.
- ▶ **Держите режущий инструмент в заточенном и чистом состоянии.** Заботливо ухоженные режущие инструменты с острыми режущими кромками режут заклиниваются и их легче вести.
- ▶ **Применяйте электроинструмент, принадлежности, рабочие инструменты и т. п. в соответствии с настоящими инструкциями. Учитывайте при этом рабочие условия и выполняемую работу.** Использование электроинструментов для непредусмотренных работ может привести к опасным ситуациям.

#### Сервис

- ▶ **Ремонт электроинструмента должен выполняться только квалифицированным персоналом и только с применением оригинальных запасных частей.** Этим обеспечивается безопасность электроинструмента.

#### Указания по технике безопасности для угловых шлифмашин

Общие предупредительные указания по шлифованию, шлифованию наждачной бумагой, для работ с проволочными щетками или отрезными шлифовальными кругами

- ▶ **Этот электроинструмент предназначен для шлифования, шлифования наждачной бумагой, крацевания проволочными щетками или абразивного отрезания. Прочитайте все указания по технике безопасности, инструкции, иллюстрации и спецификации, представленные вместе с настоящим электроинструментом.** Несоблюдение каких-либо из указанных ниже инструкций может стать причиной поражения электрическим током, пожара и/или тяжелых травм.
- ▶ **Этот электроинструмент непригоден для полирования.** Применение электроинструмента не по назначению чревато опасностями и травмами.
- ▶ **Не применяйте принадлежности, которые не предусмотрены и не рекомендуются изготовителем специально для настоящего электроинстру-**

мента. Одна только возможность крепления принадлежностей на электроинструменте еще не гарантирует их надежное применение.

- ▶ **Допустимое число оборотов рабочего инструмента должно быть не менее указанного на электроинструменте максимального числа оборотов.** Рабочий инструмент, вращающийся с большей, чем допустимо, скоростью, может разорваться и разлететься в пространстве.
- ▶ **Наружный диаметр и толщина применяемого рабочего инструмента должны соответствовать размерам электроинструмента.** Неправильно подобранные принадлежности не могут быть в достаточной степени защищены и могут выйти из-под контроля.
- ▶ **Сменные рабочие инструменты с резьбой должны точно подходить к резьбе шлифовального шпинделя. В сменных рабочих инструментах, монтируемых с помощью фланца, диаметр отверстия рабочего инструмента должен подходить к диаметру отверстия во фланце.** Сменные рабочие инструменты, неточно закрепленные на электроинструменте, вращаются неравномерно, очень сильно вибрируют, что может привести к выходу инструмента из-под контроля.
- ▶ **Не применяйте поврежденный рабочий инструмент. Проверяйте каждый раз перед использованием устанавливаемые принадлежности, как то: шлифовальные круги на сколы и трещины, шлифовальные тарелки на трещины, риски или сильный износ, проволочные щетки на незакрепленные или поломанные проволоки.** При падении электроинструмента или рабочего инструмента проверьте, не поврежден ли он, или установите неповрежденный рабочий инструмент. После проверки и закрепления рабочего инструмента Вы и все находящиеся вблизи лица должны занять положение за пределами плоскости вращения инструмента, после чего включите электроинструмент на одну минуту на максимальное число оборотов без нагрузки. Поврежденный рабочий инструмент разрушается в большинстве случаев за это время контроля.
- ▶ **Применяйте средства индивидуальной защиты. В зависимости от выполняемой работы применяйте защитный щиток для лица, защитное средство для глаз или защитные очки. При необходимости применяйте противопылевой респиратор, средства защиты органов слуха, защитные перчатки или специальный фартук, которые защищают от абразивных частиц и частиц материала.** Глаза должны быть защищены от летающих в воздухе посторонних частиц, которые могут образовываться при выполнении различных работ. Противопылевой респиратор или защитная маска органов дыхания должны задерживать образующуюся при работе пыль. Продолжительное воздействие сильного шума может привести к потере слуха.

- ▶ **Следите за тем, чтобы все люди находились на безопасном расстоянии от рабочего участка. Каждый человек в пределах рабочего участка должен иметь средства индивидуальной защиты.** Осколки детали или разрушенных рабочих инструментов могут отлететь в сторону и стать причиной травм также и за пределами непосредственного рабочего участка.
- ▶ **При выполнении работ, при которых рабочий инструмент может задеть скрытую электропроводку или свой собственный шнур питания, держите инструмент только за изолированные поверхности.** Контакт с находящейся под напряжением проводкой может зарядить металлические части электроинструмента и привести к удару электрическим током.
- ▶ **Держите шнур питания в стороне от вращающегося рабочего инструмента.** При потере контроля над инструментом шнур питания может быть перерезан или захвачен вращающимися деталями, и рука может попасть под вращающийся рабочий инструмент.
- ▶ **Никогда не кладите электроинструмент, пока вращающийся рабочий инструмент полностью не остановится.** Вращающийся рабочий инструмент может зацепиться за поверхность, что может повлечь утрату контроля над электроинструментом.
- ▶ **Обязательно выключайте электроинструмент при транспортировке.** При случайном контакте вращающегося рабочего инструмента с одеждой он может зацепиться за нее и влиться в тело.
- ▶ **Регулярно очищайте вентиляционные прорези электроинструмента.** Вентилятор двигателя затягивает пыль в корпус, и большое скопление металлической пыли может привести к опасности поражения электрическим током.
- ▶ **Не пользуйтесь электроинструментом вблизи горючих материалов.** Искры могут воспламенить эти материалы.
- ▶ **Не используйте рабочий инструмент, требующий применения охлаждающих жидкостей.** Применение воды или других охлаждающих жидкостей может привести к поражению электротоком.

#### **Обратный удар и соответствующие предупредительные указания**

Обратный удар – это внезапная реакция в результате заедания или блокирования вращающегося шлифовального круга, шлифовальной тарелки, проволоочной щетки и т.д. Заедание или блокирование ведет к резкому останову вращающегося рабочего инструмента, в результате чего неконтролируемый электроинструмент отбрасывается против направления вращения рабочего инструмента.

Например, если шлифовальный круг заедает или блокируется в заготовке, то погруженная в заготовку кромка шлифовального круга может быть зажата и в результате привести к выскакиванию круга из заготовки или к обратному удару. При этом шлифовальный круг движется на оператора или от него, в зависимости от направления вращения круга на месте блокирования. При этом шли-

фовальный круг может сломаться.

Обратный удар является следствием неправильного использования электроинструмента или ошибки оператора. Он может быть предотвращен описанными ниже мерами предосторожности.

- ▶ **Крепко держите электроинструмент, тело и руки должны занять положение, в котором можно противодействовать силам обратного удара. При наличии, всегда применяйте дополнительную рукоятку, чтобы как можно лучше противодействовать силам обратного удара или реакционным моментам при наборе оборотов.** Оператор может подходящими мерами предосторожности противодействовать силам обратного удара и отталкивающим силам.
- ▶ **Никогда не держите руки вблизи вращающегося рабочего инструмента.** При обратном ударе рабочий инструмент может отскочить на руку.
- ▶ **Держитесь в стороне от участка, куда при обратном ударе будет перемещаться электроинструмент.** Обратный удар перемещает электроинструмент в направлении противоположном движению шлифовального круга в месте блокирования.
- ▶ **Особенно осторожно работайте на углах, острых кромках и т. д. Предотвращайте отскок рабочего инструмента от заготовки и его заклинивание.** Вращающийся рабочий инструмент склонен к заклиниванию или отскоку при работе в углах и на острых кромках. Это вызывает потерю контроля или обратный удар.
- ▶ **Не применяйте пыльные цепи или пыльные полотна.** Такие рабочие инструменты часто становятся причиной обратного удара или потери контроля над электроинструментом.

#### **Специальные предупредительные указания по шлифованию и отрезанию**

- ▶ **Применяйте допущенные исключительно для данного электроинструмента шлифовальные круги и предусмотренные для них защитные кожухи.** Шлифовальные круги, не предусмотренные для этого электроинструмента, не могут быть достаточно закрыты и представляют собой опасность.
- ▶ **Изогнутые шлифовальные круги необходимо монтировать таким образом, чтобы их шлифовальная поверхность не выступала за край защитного кожуха.** Неправильно смонтированный шлифовальный круг, выступающий за край защитного кожуха, не прикрывается достаточным образом.
- ▶ **Защитный кожух необходимо надежно установить на электроинструмент и настроить с максимальным уровнем безопасности таким образом, чтобы в сторону пользователя смотрела как можно меньшая часть неприкрытого шлифовального круга.** Защитный кожух защищает оператора от обломков, случайного контакта со шлифовальным кругом и искрами, от которых может воспламениться одежда.
- ▶ **Шлифовальные круги допускается применять только для рекомендуемых работ. Например: ни-**

когда не шлифуйте боковой поверхностью отрезного круга. Отрезные круги предназначены для съема материала кромкой. Воздействием боковых сил на этот абразивный инструмент можно сломать его.

- ▶ **Всегда применяйте неповрежденные зажимные фланцы с правильными размерами и формой для выбранного шлифовального круга.** Правильные фланцы являются опорой для шлифовального круга и уменьшают опасность его поломки. Фланцы для отрезных кругов могут отличаться от фланцев для шлифовальных кругов.
- ▶ **Не применяйте изношенные шлифовальные круги от больших электроинструментов.** Шлифовальные круги для больших электроинструментов непригодны для высоких скоростей вращения маленьких электроинструментов, и их может разорвать.

#### Дополнительные специальные предупредительные указания для отрезания шлифовальным кругом

- ▶ **Предотвращайте блокирование отрезного круга и завышенное усилие прижатия. Не выполняйте слишком глубокие резы.** Чрезмерное нажатие на отрезной круг повышает его нагрузку и склонность к перекашиванию или блокированию, а также опасность обратного удара или поломки абразивного инструмента.
- ▶ **Избегайте зоны впереди и позади вращающегося отрезного круга.** Если Вы ведете отрезной круг в заготовке от себя, то в случае обратного удара электроинструмент с вращающимся кругом может отскокнуть прямо на Вас.
- ▶ **При заклинивании отрезного круга и при перерыве в работе выключайте электроинструмент и держите его спокойно и неподвижно до остановки круга. Никогда не пытайтесь вынуть еще вращающийся отрезной круг из разреза, так как это может привести к обратному удару.** Установите и устраните причину заклинивания.
- ▶ **Не включайте повторно электроинструмент, пока абразивный инструмент находится в заготовке. Дайте отрезному кругу развить полное число оборотов, перед тем как осторожно продолжить резание.** В противном случае круг может заесть, он может выскочить из обрабатываемой заготовки и привести к обратному удару.
- ▶ **Плиты или большие заготовки должны быть надежно подперты, чтобы снизить опасность обратного удара при заклинивании отрезного круга.** Большие заготовки могут прогибаться под собственным весом. Заготовка должна подпираться с обеих сторон отрезного круга, как вблизи разреза, так и по краям.
- ▶ **Будьте особенно осторожны при выполнении разрезов в стенах или других слепых зонах.** Погружающийся отрезной круг может при попадании на газовый трубопровод или водопровод, электрическую проводку или другие объекты привести к обратному удару.

#### Специальные предупредительные указания для шлифования наждачной бумагой

- ▶ **Не применяйте шлифовальную шкурку размером больше нужного. Руководствуйтесь указаниями изготовителя относительно размеров шлифовальной шкурки.** Шлифовальная шкурка, выступающая за край шлифовальной тарелки, может стать причиной травм и заклинивания, может порваться или привести к обратному удару.

#### Особые предупредительные указания для работ с проволочными щетками

- ▶ **Учитывайте, что проволочные щетки теряют кусочки проволоки даже при нормальной работе. Не перегружайте щетку чрезмерным усилием прижатия.** Отлетающие куски проволоки могут без труда проткнуть тонкую одежду и/или кожу.
- ▶ **Если для работы рекомендуется использовать защитный кожух, исключайте соприкосновение тарельчатой или чашечной проволочной щетки с кожухом.** Тарельчатые и чашечные щетки могут увеличивать свой диаметр под действием усилия прижатия и центробежных сил.

#### Дополнительные указания по технике безопасности Используйте защитные очки.



- ▶ **Используйте соответствующие металлоискатели для нахождения спрятанных в стене труб или проводки или обращайтесь за справкой в местное коммунальное предприятие.** Контакт с электропроводкой может привести к пожару и поражению электротоком. Повреждение газопровода может привести к взрыву. Повреждение водопровода ведет к нанесению материального ущерба или может вызвать поражение электротоком.
- ▶ **Не прикасайтесь к шлифовальным и отрезным кругам, пока они не остынут.** Круги сильно нагреваются во время работы.
- ▶ **Снимите фиксацию выключателя и установите его в положение Выкл., если был перебой в электропитании, например, при исчезновении электричества в сети или извлечении вилки из розетки.** Этим предотвращается неконтролируемый повторный запуск.
- ▶ **Закрепляйте заготовку.** Заготовка, установленная в зажимное приспособление или в тиски, удерживается более надежно, чем в Вашей руке.

#### Описание продукта и услуг



Прочтите все указания и инструкции по технике безопасности. Несоблюдение указаний по технике безопасности и инструкций может привести к поражению электри-

ческим током, пожару и/или тяжелым травмам.  
Пожалуйста, соблюдайте иллюстрации в начале руководства по эксплуатации.

### Применение по назначению

Электроинструмент предназначен для резки, обдирки и крацевания металлических и каменных материалов без использования воды.

Для резки с помощью связанных абразивов необходимо использовать специальный защитный кожух для резки.

Для резки камня необходимо обеспечить достаточное удаление пыли.

В комбинации с допущенными шлифовальными инструментами электроинструмент можно использовать для шлифования наждачной бумагой.

### Изображенные составные части

Нумерация представленных компонентов выполнена по изображению на странице с иллюстрациями.

- (1) Кнопка фиксации шпинделя
- (2) Выключатель
- (3) Дополнительная рукоятка (с изолированной поверхностью)
- (4) Шлифовальный шпиндель
- (5) Защитный кожух для шлифования (зажимной винт)
- (6) Крепежный винт защитного кожуха
- (7) Опорный фланец с опорной шайбой
- (8) Шлифовальный круг<sup>A)</sup>

- (9) Зажимная гайка
- (10) Рожковый ключ под два отверстия для зажимных гаек<sup>A)</sup>
- (11) Быстрозажимная гайка **SDS-clic**<sup>A)</sup>
- (12) Твердосплавный чашечный шлифовальный круг<sup>A)</sup>
- (13) Защитный кожух для резки (зажимной винт)<sup>A)</sup>
- (14) Отрезной круг<sup>A)</sup>
- (15) Защитный щиток для руки<sup>A)</sup>
- (16) Распорные шайбы<sup>A)</sup>
- (17) Резиновая опорная шлифовальная тарелка<sup>A)</sup>
- (18) Гибкий абразив<sup>A)</sup>
- (19) Круглая гайка<sup>A)</sup>
- (20) Чашечная щетка<sup>A)</sup>
- (21) Вытяжной кожух для резки с направляющими салазками<sup>A)</sup>
- (22) Алмазный отрезной круг<sup>A)</sup>
- (23) Рукоятка (с изолированной поверхностью)
- (24) Демпфер вибрации
- (25) Защитный кожух для шлифования
- (26) Кулачок кодирования
- (27) Зажимной рычаг защитного кожуха
- (28) Винт для настройки защитного кожуха
- (29) Защитный кожух для резки

A) Изображенные или описанные принадлежности не входят в стандартный объем поставки. Полный ассортимент принадлежностей Вы найдете в нашей программе принадлежности.

### Технические данные

Угловая шлифовальная машина		GWS 22-180 H	GWS 22-230 H	GWS 22-230 JH	GWS 24-180 H
Товарный номер		<b>3 601 H81 1..</b>	<b>3 601 H82 1..</b>	<b>3 601 H82 2..</b>	<b>3 601 H83 1..</b>
Ном. потребляемая мощность	Вт	2200	2200	2200	2400
Полезная мощность	Вт	1500	1500	1500	1600
Номинальное число оборотов	мин <sup>-1</sup>	8500	6600	6600	8500
Макс. диаметр шлифовального круга	мм	180	230	230	180
Резьба шлифовального шпинделя		M 14	M 14	M 14	M 14
Макс. длина резьбы шлифовального шпинделя	мм	25	25	25	25
Защита от непреднамеренного пуска		-	-	●	-
Ограничение пускового тока		-	-	●	-
Поворотная основная рукоятка		-	-	-	-
Тормоз выбега		-	-	-	-
Масса согласно EPTA-Procedure 01:2014					
- С дополнительной виброзащитной рукояткой	кг	5,1	5,1	5,3	5,0
- С дополнительной стандартной рукояткой	кг	5,0	5,0	5,2	4,9
Класс защиты		□/II	□/II	□/II	□/II

Угловая шлифовальная машина		GWS 24-230 H	GWS 24-230 JH	GWS 26-180 H
Товарный номер		3 601 H84 1..	3 601 H84 2..	3 601 H55 1..
Ном. потребляемая мощность	Вт	2400	2400	2600
Полезная мощность	Вт	1600	1600	1700
Номинальное число оборотов	мин <sup>-1</sup>	6600	6600	8500
Макс. диаметр шлифовального круга	мм	230	230	180
Резьба шлифовального шпинделя		M 14	M 14	M 14
Макс. длина резьбы шлифовального шпинделя	мм	25	25	25
Защита от непреднамеренного пуска		-	●	-
Ограничение пускового тока		-	●	-
Поворотная основная рукоятка		-	-	-
Тормоз выбега		-	-	-
Масса согласно EPTA-Procedure 01:2014				
- С дополнительной виброзащитной рукояткой	кг	5,2	5,3	6,0
- С дополнительной стандартной рукояткой	кг	5,1	5,2	5,9
Класс защиты		□/II	□/II	□/II

Угловая шлифовальная машина		GWS 26-230 B	GWS 26-230 H	GWS 26-230 H
Товарный номер		3 601 H56 3..	3 601 H56 1..	3 601 H56 L..
Ном. потребляемая мощность	Вт	2600	2600	2600
Полезная мощность	Вт	1700	1700	1700
Номинальное число оборотов	мин <sup>-1</sup>	6600	6600	6600
Макс. диаметр шлифовального круга	мм	230	230	230
Резьба шлифовального шпинделя		M 14	M 14	M 14
Макс. длина резьбы шлифовального шпинделя	мм	25	25	25
Защита от непреднамеренного пуска		-	-	-
Ограничение пускового тока		-	-	-
Поворотная основная рукоятка		●	-	-
Тормоз выбега		-	-	-
Масса согласно EPTA-Procedure 01:2014				
- С дополнительной виброзащитной рукояткой	кг	6,2	6,1	6,1
- С дополнительной стандартной рукояткой	кг	6,1	6,0	6,0
Класс защиты		□/II	□/II	□/II

Угловая шлифовальная машина		GWS 20-230 H	GWS 24-230 JVX
Товарный номер		3 601 H50 1..	3 601 H64 5..
Ном. потребляемая мощность	Вт	2000	2400
Полезная мощность	Вт	1250	1600
Номинальное число оборотов	мин <sup>-1</sup>	6600	6600
Макс. диаметр шлифовального круга	мм	230	230
Резьба шлифовального шпинделя		M 14	M 14
Макс. длина резьбы шлифовального шпинделя	мм	25	18
Защита от непреднамеренного пуска		-	-

Угловая шлифовальная машина		GWS 20-230 H	GWS 24-230 JVX
Ограничение пускового тока		–	●
Поворотная основная рукоятка		–	●
Тормоз выбега		–	●
Масса согласно EPTA-Procedure 01:2014			
– С дополнительной виброзащитной рукояткой	кг	5,2	6,5
– С дополнительной стандартной рукояткой	кг	5,1	6,4
Класс защиты		□ / II	□ / II

Параметры указаны для номинального напряжения [U] 230 В. При других значениях напряжения, а также в специфическом для страны исполнении инструмента возможны иные параметры.

Для электроинструментов без ограничения пускового тока: Процессы включения вызывают кратковременные падения напряжения. При неблагоприятных условиях в сети возможно отрицательное воздействие на другие приборы. При полном сопротивлении сети не более 0,25 Ом никаких помех не ожидается.

### Данные по шуму и вибрации

Шумовая эмиссия определена в соответствии с **EN 60745-2-3**.

А-взвешенный уровень звукового давления от электроинструмента обычно составляет: **93 дБ(А)**; уровень звуковой мощности **104 дБ(А)**. Погрешность  $K = 3$  дБ.

#### Используйте средства защиты органов слуха!

Суммарная вибрация  $a_h$  (векторная сумма трех направлений) и погрешность  $K$  определены в соответствии с

#### EN 60745-2-3:

Шлифование поверхностей (обдирка):

$a_h = 7,5 \text{ м/с}^2$ ,  $K = 1,5 \text{ м/с}^2$ ,

Шлифование гибкими абразивами:

$a_h = 4,5 \text{ м/с}^2$ ,  $K = 1,5 \text{ м/с}^2$ .

Указанное в настоящих инструкциях значение уровня вибрации измерено по стандартной методике измерения и может быть использовано для сравнения электроинструментов. Он пригоден также для предварительной оценки вибрационной нагрузки.

Уровень вибрации указан для основных видов работы с электроинструментом. Однако если электроинструмент будет использован для выполнения других работ с применением рабочих инструментов, не предусмотренных изготовителем, или техническое обслуживание не будет отвечать предписаниям, то уровень вибрации может быть иным. Это может значительно повысить вибрационную нагрузку в течение всей продолжительности работы. Для точной оценки вибрационной нагрузки в течение определенного временного интервала нужно учитывать также и время, когда инструмент выключен или, хотя и включен, но не находится в работе. Это может значительно сократить нагрузку от вибрации в расчете на полное рабочее время.

Предусмотрите дополнительные меры безопасности для защиты оператора от воздействия вибрации, например: техническое обслуживание электроинструмента и рабочих инструментов, меры по поддержанию рук в тепле, организация технологических процессов.

### Сборка

#### Монтаж защитных устройств

##### ► Перед любыми манипуляциями с электроинструментом вытаскивайте штепсель из розетки.

**Указание:** При поломке шлифовального круга во время работы или при повреждении устройств крепления защитного кожуха/электроинструмента электроинструмент должен быть немедленно направлен в сервисную мастерскую, адреса см. раздел «Сервис и консультирование по вопросам применения».

#### Защитный кожух для шлифования (GWS 24-230 JVX)

Отпустите зажимной рычаг (27). Вставьте защитный кожух кодирующим кулачком (26) в кодирующий паз на шейке шпинделя, чтобы буртик защитного кожуха сел на фланец электроинструмента, и поверните защитный кожух в нужное положение. Закройте зажимной рычаг (27).

##### ► Устанавливайте защитный кожух (25) таким образом, чтобы он предотвращал полет искр в направлении пользователя.

Силу зажима замка защитного кожуха можно менять, закручивая или откручивая винт для настройки (28). Следите за прочностью посадки защитного кожуха и регулярно проверяйте ее.

**Указание:** Кодирующие кулачки на защитном кожухе предотвращают возможность монтажа на электрический инструмент не предусмотренных для него защитных кожухов.

#### Защитный кожух для шлифования (зажимной винт) (GWS 20-230 H / GWS 22-180 H / GWS 22-230 H/JH / GWS 24-180 H / GWS 24-230 H/JH / GWS 26-180 H / GWS 26-230 В/Н)

Установите защитный кожух (5) на шейку шпинделя. Отрегулируйте положение защитного кожуха (5) в соответствии с требованиями рабочего процесса и закрепите его (5) крепежными винтами (6).

- ▶ Устанавливайте защитный кожух (5) таким образом, чтобы он предотвращал полет искр в направлении пользователя.

#### Защитный кожух для резки

- ▶ Для резки с помощью отрезных кругов всегда используйте защитный кожух для резки (13)/(29).
- ▶ Для резки камня необходимо обеспечить достаточное удаление пыли.

Защитный кожух для резки (13)/(29) монтируется так же, как и защитный кожух для шлифования.

#### Защитный кожух для резки с направляющими салазками

Вытяжной кожух для резки с направляющими салазками (21) монтируется так же, как и защитный кожух для шлифования.

#### Дополнительная рукоятка

- ▶ Работайте с электроинструментом только с дополнительной рукояткой (3).

Привинтите дополнительную рукоятку (3) справа или слева от редукторной головки в зависимости от способа работы.

#### Демпфер вибрации

(GWS 24-230 JVX)



Интегрированная функция демпфирования вибраций снижает возникающие вибрации.

- ▶ Не пользуйтесь электроинструментом с поврежденным демпфером вибрации.

#### Защитный щиток руки

- ▶ Для работ с резиновой шлифовальной тарелкой (17), чашечной и дисковой щеткой или с веерным шлифовальным кругом устанавливайте защитный щиток для руки (15).

Закрепляйте защитный щиток (15) дополнительной рукояткой (3).

#### Монтаж шлифовальной оснастки

- ▶ Перед любыми манипуляциями с электроинструментом вытаскивайте штепсель из розетки.
- ▶ Не прикасайтесь к шлифовальным и отрезным кругам, пока они не остынут. Круги сильно нагреваются во время работы.

Очистите шлифовальный шпиндель (4) и все монтируемые детали.

Для закрепления и отпускания шлифовальной оснастки нажмите кнопку фиксации шпинделя (1), чтобы зафиксировать шлифовальный шпиндель.

- ▶ Нажимайте на кнопку фиксации шпинделя только при остановленном шпинделе! В противном случае электроинструмент может быть поврежден.

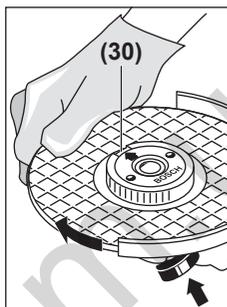
#### Быстрозажимная гайка SDS-*cl*ic

Для простой смены шлифовальной оснастки без применения инструментов можно вместо зажимной гайки (9) использовать быстрозажимную гайку (11).

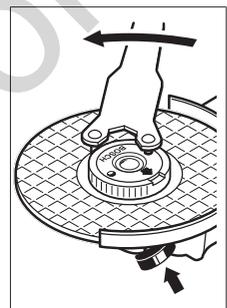
- ▶ Быстрозажимную гайку (11) разрешается использовать только для шлифовальных и отрезных кругов.

Используйте только исправную, неповрежденную быстрозажимную гайку (11).

При навинчивании следите за тем, чтобы сторона гайки с надписью (11) не была обращена к шлифовальному кругу; стрелка должна показывать на индексную метку (30).



Для фиксации шлифовального шпинделя нажмите кнопку фиксирования шпинделя (1). Чтобы затянуть быстрозажимную гайку, поверните шлифовальный круг с усилием по часовой стрелке.



Должным образом затянутую, исправную быстрозажимную гайку можно открутить поворотом кольца с накаткой от руки против часовой стрелки. **Никогда не применяйте для откручивания заклинившей быстрозажимной гайки клещи, обязательно используйте рожковый ключ под два отверстия.** Накладывайте рожковый ключ под два

отверстия, как показано на рисунке.

#### Шлифовальный круг/отрезной круг

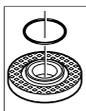
Примите во внимание размеры шлифовальной оснастки. Диаметр посадочного отверстия должен соответствовать опорному фланцу. Не применяйте адаптеры или переходники.

При использовании алмазных отрезных кругов следите за тем, чтобы стрелка направления вращения на алмазном отрезном круге и направление вращения электроинструмента (см. стрелку направления вращения на редукторной головке) совпадали.

Последовательность монтажа показана на странице с иллюстрациями.

Чтобы закрепить шлифовальный/отрезной круг, накрутите зажимную гайку (9) и затяните ее с помощью рожкового ключа под два отверстия, см. раздел (см. „Быстрозажимная гайка SDS-*cl*ic“, Страница 49).

- После монтажа шлифовального инструмента проверьте перед включением правильность монтажа и свободное вращение инструмента. Проверьте свободное вращение шлифовального инструмента без трения о защитный кожух или другие части.



На опорном фланце (7) вокруг центрирующего буртика находится пластмассовая деталь (кольцо круглого сечения). Если кольцо круглого сечения отсутствует или повреждено, опорный фланец (7) необходимо обязательно заменить перед дальнейшим применением.

обязательно заменить перед дальнейшим применением.

#### Верный шлифовальный круг

- Для работ с верным шлифовальным кругом всегда устанавливайте защитный щиток для руки (15).

#### Резиновая шлифовальная тарелка

- Для работ с резиновой шлифовальной тарелкой (17) всегда устанавливайте защитный щиток для руки (15).

Последовательность монтажа показана на странице с иллюстрациями.

Перед установкой резиновой шлифовальной тарелки (17) насадите 2 распорные шайбы (16) на шпindel (4). (GWS 20-230 Н / GWS 22-180 Н / GWS 22-230 Н/Н / GWS 24-180 Н / GWS 24-230 Н/Н / GWS 26-180 Н / GWS 26-230 В/Н).

Накрутите круглую гайку (19) и затяните ее с помощью рожкового ключа под два отверстия.

**Указание:** Ослабление круглой гайки (19), возможно, потребует больших усилий (GWS 24-230 JVX).

#### Чашечная щетка/дисковая щетка

- Для работ с чашечной щеткой или дисковой щеткой всегда устанавливайте защитный щиток для руки (15).

Последовательность монтажа показана на странице с иллюстрациями.

Чашечная/дисковая щетка должна навинчиваться на шпindel так, чтобы она плотно прилегла к фланцу шпинделя в конце резьбы шпинделя. Крепко затяните чашечную/дисковую щетку вилочным гаечным ключом.

**Указание:** Ослабление шлифовального инструмента, возможно, потребует больших усилий (GWS 24-230 JVX).

#### Допустимая шлифовальная оснастка

К применению допускаются все виды шлифовальной оснастки, указанные в настоящем руководстве по эксплуатации.

Допустимое число оборотов [мин<sup>-1</sup>] или окружная скорость [м/с] применяемой шлифовальной оснастки должны по крайней мере соответствовать данным из следующей таблицы.

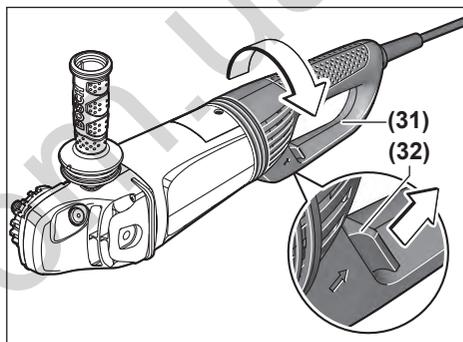
Соблюдайте допустимое число оборотов или окружную скорость, указанные на этикетке шлифовальной оснастки.

	макс. [мм]	[мм]		
	D	b	d	[мин <sup>-1</sup> ] [м/с]
	180	8	22,2	8500 80
	230	8	22,2	6600 80
	180	–	–	8500 80
	230	–	–	6600 80
	100	30	M 14	8500 45

#### Установка главной рукоятки

(GWS 24-230 JVX / GWS 26-230 В)

- Перед любыми манипуляциями с электроинструментом вытаскивайте штепсель из розетки.



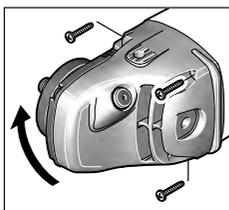
Главную рукоятку (31) можно повернуть относительно корпуса двигателя на 90° влево или вправо. Таким образом выключатель может быть установлен в удобное для работы положение, например, для отрезных работ с вытяжным колпаком и направляющими салазками (21) или для левши.

Потяните кнопку разблокировки рукоятки (32) в направлении, указанном стрелкой, и одновременно поверните главную рукоятку (31) в требуемое положение так, чтобы она вошла в зацепление.

#### Поворот редукторной головки

(GWS 20-230 Н / GWS 22-180 Н / GWS 22-230 Н/Н / GWS 24-180 Н / GWS 24-230 Н/Н / GWS 26-180 Н / GWS 26-230 В/Н)

- Перед любыми манипуляциями с электроинструментом вытаскивайте штепсель из розетки.



Редукторная головка может поворачиваться с интервалом в 90°. Таким образом выключатель может быть установлен в удобное для работы положение, например, для отрезных работ с вытяжным колпаком и направляющими салазками (21) или для левши.

Полностью выкрутите 4 винта. Осторожно **и без отрыва от корпуса** поверните корпус редуктора в новое положение. Снова туго затяните 4 винта.

### Удаление пыли и стружки

Пыль некоторых материалов, как напр., красок с содержанием свинца, некоторых сортов древесины, минералов и металлов, может быть вредной для здоровья. Прикосновение к пыли и попадание пыли в дыхательные пути может вызвать аллергические реакции и/или заболевания дыхательных путей оператора или находящегося вблизи персонала.

Определенные виды пыли, напр., дуба и бука, считаются канцерогенными, особенно совместно с присадками для обработки древесины (хромат, средство для защиты древесины). Материал с содержанием асбеста разрешается обрабатывать только специалистам.

- По возможности используйте пригоду для материала систему пылеудаления.
- Хорошо проветривайте рабочее место.
- Рекомендуется пользоваться респираторной маской с фильтром класса P2.

Соблюдайте действующие в Вашей стране предписания для обрабатываемых материалов.

- **Избегайте скопления пыли на рабочем месте.** Пыль может легко воспламениться.

## Работа с инструментом

### Включение электроинструмента

- **Примите во внимание напряжение в сети! Напряжение источника питания должно соответствовать данным на заводской табличке электроинструмента. Электроинструменты на 230 В могут работать также и при напряжении 220 В.**

При питании электроинструмента от передвижных электрогенераторов, которые не обладают достаточным запасом мощности или не оснащены соответствующим регулятором напряжения с усилением пускового тока, при включении возможно падение мощности или необычное поведение электроинструмента.

Пожалуйста, проверьте пригодность используемого Вами генератора, особенно в отношении напряжения и частоты сети.

### Включение/выключение

Чтобы **включить** электроинструмент, передвиньте выключатель (2) вперед, а затем нажмите его.

Для **фиксации** выключателя (2) передвиньте выключатель (2) еще дальше вперед.

Чтобы **выключить** электроинструмент, отпустите выключатель (2), а если он зафиксирован, коротко нажмите на выключатель (2) и отпустите его.

### Исполнение выключателя без фиксирования (для отдельных стран):

Чтобы **включить** электроинструмент, передвиньте выключатель (2) вперед, а затем нажмите его.

Чтобы **выключить** электроинструмент, отпустите выключатель (2).

- **Перед началом работы проверяйте шлифовальную оснастку. Шлифовальная оснастка должна быть правильно смонтирована и свободно вращаться. Произведите пробное включение минимум на 1 минуту без нагрузки. Не используйте поврежденную, некруглую или вибрирующую шлифовальную оснастку.** Поврежденная шлифовальная оснастка может разрушиться и стать причиной травм.

### Тормоз выбега (GWS 24-230 JVX)



Электроинструмент оснащен тормозной системой Bosch Brake System – запатентованным электромеханическим тормозом выбега. При выключении электроинструмента или перебое в питании абразивный инстру-

мент останавливается за считанные секунды. По сравнению с угловыми шлифмашинами без тормоза выбега время выбега сокращается прибл. на 70 % и позволяет быстрее положить электроинструмент.

**Указание:** Существенное ухудшение эффекта торможения свидетельствует о том, что вышел из строя тормоз выбега. Электроинструмент нужно немедленно отправить в сервисную мастерскую, адреса см. в разделе «Сервис и консультирование на предмет использования продукции».

### Защита от непреднамеренного пуска (GWS 22-230 JH / GWS 24-230 JH)

Защита от непреднамеренного запуска предотвращает неконтролируемый запуск электроинструмента после перебоев с электроснабжением.

Чтобы **снова включить** электроинструмент, установите выключатель (2) в положение выкл. и снова включите электроинструмент.

### Ограничение пускового тока (GWS 22-230 JH / GWS 24-230 JH/JVX)

Электронная система ограничения пускового тока ограничивает мощность при включении электроинструмента и дает возможность работы от розетки на 16 А.

**Указание:** Если электроинструмент сразу после включения работает с полным числом оборотов, вышли из строя ограничитель пускового тока и защита от повторного пус-

ка. Электроинструмент нужно немедленно отправить в сервисную мастерскую, адреса см. в разделе «Сервис и консультирование по вопросам применения».

### Указания по применению

- ▶ Перед любыми манипуляциями с электроинструментом вытаскивайте штепсель из розетки.
- ▶ Соблюдайте осторожность при шлицевании в несущих стенах, см. раздел «Указания по статике».
- ▶ Закрепляйте заготовку, если ее собственный вес не обеспечивает надежное положение.
- ▶ Не нагружайте электроинструмент до его остановки.
- ▶ После сильной нагрузки дайте электроинструменту проработать еще несколько минут на холостом ходу, чтобы он мог остыть.
- ▶ Не прикасайтесь к шлифовальным и отрезным кругам, пока они не остынут. Круги сильно нагреваются во время работы.
- ▶ Не используйте электроинструмент на абразивно-отрезной станине.

**Указание:** Извлекайте вилку из розетки, когда электроинструмент не используется. При вставленной в розетку вилке и наличии напряжения в сети электроинструмент даже в выключенном состоянии потребляет небольшое количество электроэнергии.

### Обдирочное шлифование

- ▶ **Никогда не применяйте отрезные круги для обдирки!**

Под углом установки от 30° до 40° при обдирочном шлифовании достигаются наилучшие результаты работы. Водите электроинструментом, слегка нажимая на него, туда-сюда. При таком подходе обрабатываемая заготовка не будет перегреваться, не изменит своего цвета и на ней не появится дорожек.

### Лепестковый шлифовальный круг

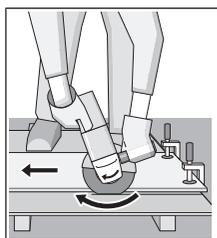
Лепестковым шлифовальным кругом (принадлежность) можно также обрабатывать выпуклые поверхности и профили. Лепестковые шлифовальные круги обладают значительно большим сроком службы, создают меньший уровень шума и меньшие температуры шлифования, чем обычные шлифовальные круги.

### Резка металла

**Для резки с помощью отрезных кругов всегда используйте защитный кожух для резки (13)/(29).**

При отрезании шлифовальным кругом работайте с умеренной, соответствующей обрабатываемому материалу, подачей. Не оказывайте давление на отрезной круг, не перекашивайте и не качайте его.

Не затормаживайте отрезной круг на выбеге боковым давлением.



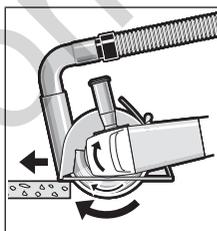
сечении.

### Резка камня

- ▶ Для резки камня необходимо обеспечить достаточное удаление пыли.
- ▶ Применяйте противопылевой респиратор.
- ▶ Данный электроинструмент разрешается использовать только для сухой резки/сухого шлифования.

Для резки камней лучше всего использовать алмазные отрезные диски.

При применении защитного кожуха для отрезания с направляющими салазками (21) пылесос должен быть допущен для отсоса каменной пыли. Bosch предлагает подходящие пылесосы.



Включите электроинструмент и приставьте переднюю часть направляющих салазок к обрабатываемой заготовке. Водите пневматический инструмент с равномерной, рассчитанной на обрабатываемый материал подачей.

При обработке особо твердых материалов, например, бетона с высоким содержанием гравия, алмазный отрезной круг может перегреться и по этой причине повредиться. Вращающийся с алмазным отрезным кругом венец из искр однозначно указывает на такую ситуацию.

В таком случае прервите процесс и дайте алмазному отрезному кругу остыть на холостом ходу при максимальной скорости в течение короткого времени.

Заметное снижение производительности работы и венец из искр по кругу свидетельствуют о затуплении алмазного отрезного круга. Алмазный отрезной круг можно заточить короткими резами в абразивном материале (напр., в силикатном кирпиче).

### Указания по статике

На пазы в капитальных стенах распространяется норма DIN 1053 часть 1 или действующие в соответствующей стране предписания. Эти предписания подлежат обязательному соблюдению. До начала работы проконсультируйтесь у ответственного специалиста по статике, архитектора или прораба.

## Техобслуживание и сервис

### Техобслуживание и очистка

- ▶ **Перед любыми манипуляциями с электроинструментом вытаскивайте штепсель из розетки.**
- ▶ **Для обеспечения качественной и безопасной работы содержите электроинструмент и вентиляционные прорези в чистоте.**
- ▶ **При экстремальных условиях работы всегда используйте по возможности устройство пылеудаления. Часто продувайте вентиляционные щели и подключайте инструмент через устройство защитного отключения (PRCD).** При обработке металлов внутри электроинструмента может откладываться токопроводящая пыль. Это может иметь нанести ущерб защитной изоляции электроинструмента.

Заботливо храните и обращайтесь с принадлежностями. Если требуется поменять шнур, во избежание опасности обращайтесь на фирму **Bosch** или в авторизованную сервисную мастерскую для электроинструментов **Bosch**.

Реализацию продукции разрешается производить в магазинах, отделах (секциях), павильонах и киосках, обеспечивающих сохранность продукции, исключающих попадание на неё атмосферных осадков и воздействие источников повышенных температур (резкого перепада температур), в том числе солнечных лучей.

Продавец (изготовитель) обязан предоставить покупателю необходимую и достоверную информацию о продукции, обеспечивающую возможность её правильного выбора. Информация о продукции в обязательном порядке должна содержать сведения, перечень которых установлен законодательством Российской Федерации.

Если приобретаемая потребителем продукция была в употреблении или в ней устранился недостаток (недостатки), потребителю должна быть предоставлена информация об этом.

В процессе реализации продукции должны выполняться следующие требования безопасности:

- Продавец обязан довести до сведения покупателя фирменное наименование своей организации, место её нахождения (адрес) и режим её работы;
- Образцы продукции в торговых помещениях должны обеспечивать возможность ознакомления покупателя с надписями на изделиях и исключать любые самостоятельные действия покупателей с изделиями, приводящие к запуску изделий, кроме визуального осмотра;
- Продавец обязан довести до сведения покупателя информацию о подтверждении соответствия этих изделий установленным требованиям, о наличии сертификатов или деклараций о соответствии;
- Запрещается реализация продукции при отсутствии (утрате) её идентификационных признаков, с истёкшим сроком годности, следами порчи и без инструкции (руководства) по эксплуатации, обязательного сертификата соответствия либо знака соответствия.

### Сервис и консультирование по вопросам применения

Сервисный отдел ответит на все Ваши вопросы по ремонту и обслуживанию Вашего продукта, а также по запчастям. Изображения с пространственным разделением делателей и информацию по запчастям можно посмотреть также по адресу: [www.bosch-pt.com](http://www.bosch-pt.com)  
Коллектив сотрудников Bosch, предоставляющий консультации на предмет использования продукции, с удовольствием ответит на все Ваши вопросы относительно нашей продукции и ее принадлежностей.

Пожалуйста, во всех запросах и заказах запчастей обязательно указывайте 10-значный товарный номер по заводской табличке изделия.

#### Для региона: Россия, Беларусь, Казахстан, Украина

Гарантийное обслуживание и ремонт электроинструмента, с соблюдением требований и норм изготовителя производятся на территории всех стран только в фирменных или авторизованных сервисных центрах «Роберт Бош». ПРЕДУПРЕЖДЕНИЕ! Использование контрафактной продукции опасно в эксплуатации, может привести к ущербу для Вашего здоровья. Изготовление и распространение контрафактной продукции преследуется по Закону в административном и уголовном порядке.

#### Россия

Уполномоченная изготовителем организация:  
ООО «Роберт Бош» Вашутинское шоссе, вл. 24  
141400, г. Химки, Московская обл.  
Тел.: +7 800 100 8007  
E-Mail: [info.powertools@ru.bosch.com](mailto:info.powertools@ru.bosch.com)  
[www.bosch-pt.ru](http://www.bosch-pt.ru)

#### Беларусь

ИП «Роберт Бош» ООО  
Сервисный центр по обслуживанию электроинструмента  
ул. Тимирязева, 65А-020  
220035, г. Минск  
Тел.: +375 (17) 254 78 71  
Тел.: +375 (17) 254 79 16  
Факс: +375 (17) 254 78 75  
E-Mail: [pt-service.by@bosch.com](mailto:pt-service.by@bosch.com)  
Официальный сайт: [www.bosch-pt.by](http://www.bosch-pt.by)

#### Казахстан

Центр консультирования и приема претензий  
ТОО «Роберт Бош» (Robert Bosch)  
г. Алматы,  
Республика Казахстан  
050012  
ул. Муратбаева, д. 180  
БЦ «Гермес», 7й этаж  
Тел.: +7 (727) 331 31 00  
Факс: +7 (727) 233 07 87  
E-Mail: [ptka@bosch.com](mailto:ptka@bosch.com)  
Полную и актуальную информацию о расположении сервисных центров и приемных пунктов Вы можете получить на официальном сайте:  
[www.bosch-professional.kz](http://www.bosch-professional.kz)

**Молдова**

RIALTO-STUDIO S.R.L.

Пл. Кантемира 1, этаж 3, Торговый центр ТОПА3

2069 Кишинев

Тел.: + 373 22 840050/840054

Факс: + 373 22 840049

Email: info@rialto.md

**Киргизстан, Монголия, Таджикистан, Туркменистан, Узбекистан**

ТОО «Роберт Бош» (Robert Bosch)

Power Tools послепродажное обслуживание

ул. Муратбаева, д. 180

050012 Алматы, Казахстан

Служебная эл. почта: service.pt.ka@bosch.com

Официальный веб-сайт: www.bosch.com,

www.bosch-pt.com

В случае выхода электроинструмента из строя в течение гарантийного срока эксплуатации по вине изготовителя, владелец имеет право на бесплатный гарантийный ремонт, при соблюдении следующих условий:

- отсутствие механических повреждений;
- отсутствие признаков нарушения требований руководства по эксплуатации;
- наличие в руководстве по эксплуатации отметки продавца о продаже и подписи покупателя;
- соответствие серийного номера электроинструмента и серийному номеру в гарантийном талоне;
- отсутствие следов некавалифицированного ремонта.

Гарантия не распространяется на:

- любые поломки, связанные с форс-мажорными обстоятельствами;
- нормальный износ: электроинструмента, так же, как и все электрические.

Гарантией не покрывается ремонт, потребность в котором возникает вследствие нормального износа, сокращающего срок службы таких частей инструмента, как присоединительные контакты, провода, щётки и т.п.:

- естественный износ (полная выработка ресурса);
- оборудование и его части, выход из строя которых стал следствием неправильной установки, несанкционированной модификации, неправильного применения, нарушение правил обслуживания или хранения;
- неисправности, возникшие в результате перегрузки электроинструмента. (К безусловным признакам перегрузки инструмента относятся: появление цвета побежалости, деформация или оплавление деталей и узлов электроинструмента, потемнение или обугливание изоляции проводов электродвигателя под действием высокой температуры.)

**Утилизация**

Отслужившие свой срок электроинструменты, принадлежности и упаковку следует сдавать на экологически чистую рекуперацию отходов.



Утилизируйте электроинструмент отдельно от бытового мусора!

**Только для стран-членов ЕС:**

В соответствии с Европейской директивой 2012/19/EU об отработанных электрических и электронных приборах и ее преобразованием в национальное законодательство негодные электроприборы нужно собирать отдельно и сдавать на экологически чистую переработку.

**Українська****Вказівки з техніки безпеки****Загальні застереження для електроприладів****ПОПЕРЕДЖЕННЯ**

Прочитайте всі застереження і вказівки. Недотримання застережень і вказівок може

привести до ураження електричним струмом, пожежі та/або серйозних травм.

**Добре зберігайте на майбутні ці попередження і вказівки.**

Під поняттям «електроінструмент» в цих застереженнях мається на увазі електроінструмент, що працює від мережі (з електрокабелем) або від акумуляторної батареї (без електрокабелю).

**Безпека на робочому місці**

- ▶ **Тримайте своє робоче місце в чистоті і забезпечте добре освітлення робочого місця.** Безлад або погане освітлення на робочому місці можуть призвести до нещасних випадків.
- ▶ **Не працюйте з електроінструментом у середовищі, де існує небезпека вибуху внаслідок присутності горючих рідин, газів або пилу.** Електроінструменти можуть породжувати іскри, від яких може займатися пил або пари.
- ▶ **Під час праці з електроінструментом не підпускайте до робочого місця дітей та інших людей.** Ви можете втратити контроль над електроінструментом, якщо Ви не будете зосереджені на виконанні роботи.

**Електрична безпека**

- ▶ **Штепсель електроінструмента повинен пасувати до розетки. Не дозволяється міняти щось в штепселі. Для роботи з електроінструментами, що мають захисне заземлення, не використовуйте адаптери.** Використання оригінального штепселя та належної розетки зменшує ризик ураження електричним струмом.
- ▶ **Уникайте контакту частин тіла із заземленими поверхнями, напр., трубами, батареями опалення, плитами та холодильниками.** Коли Ваше тіло

заземлене, існує збільшена небезпека ураження електричним струмом.

- ▶ **Захищайте електроінструменти від дощу і вологи.** Попадання води в електроінструмент збільшує ризик ураження електричним струмом.
- ▶ **Не використовуйте мережний шнур живлення не за призначенням. Ніколи не використовуйте мережний шнур для перенесення або перетягування електроінструмента або витягання штепселя з розетки. Захищайте кабель від тепла, мастила, гострих країв та рухомих деталей електроінструмента.** Пошкоджений або закручений кабель збільшує ризик ураження електричним струмом.
- ▶ **Для зовнішніх робіт обов'язково використовуйте лише такий подовжувач, що придатний для зовнішніх робіт.** Використання подовжувача, що розрахований на зовнішні роботи, зменшує ризик ураження електричним струмом.
- ▶ **Якщо не можна запобігти використанню електроінструмента у вологому середовищі, використовуйте пристрій захисного вимкнення.** Використання пристрою захисного вимкнення зменшує ризик ураження електричним струмом.

#### Безпека людей

- ▶ **Будьте уважними, слідкуйте за тим, що Ви робите, та розсудливо поведіться під час роботи з електроінструментом. Не користуйтеся електроінструментом, якщо Ви стомлені або знаходитесь під дією наркотиків, спиртних напоїв або ліків.** Мить неухважності при користуванні електроінструментом може призвести до серйозних травм.
- ▶ **Використовуйте засоби індивідуального захисту. Завжди вдягайте захисні окуляри.** Застосування особистого захисного спорядження, як напр., – в залежності від виду робіт – захисної маски, спецвузуття, що не ковзається, каски та навушників, зменшує ризик травм.
- ▶ **Уникайте випадкового вмикання. Перш ніж увімкнути електроінструмент в електромережу або під'єднати акумуляторну батарею, брати його в руки або переносити, впевніться в тому, що електроінструмент вимкнений.** Тримання пальця на вмикачі під час перенесення електроінструмента або підключення в розетку увімкнутого електроінструмента може призвести до травм.
- ▶ **Перед тим, як вмикати електроінструмент, приберіть налагоджувальні інструменти або гайковий ключ.** Перебування налагоджувального інструмента або ключа в частині електроінструмента, що обертається, може призвести до травм.
- ▶ **Уникайте неприродного положення тіла. Завжди зберігайте стійке положення та тримайте рівновагу.** Це дозволить Вам краще контролювати електроінструмент у небезпечних ситуаціях.

- ▶ **Вдягайте придатний одяг. Не вдягайте просторий одяг та прикраси. Не підставляйте волосся, одяг та рукавиці до деталей електроінструмента, що рухаються.** Просторий одяг, довге волосся та прикраси можуть потрапити в деталі, що рухаються.
- ▶ **Якщо існує можливість монтувати пиловідсмоктувальні або пилоуловлюючі пристрої, переконайтеся, щоб вони були добре під'єднані та правильно використовувалися.** Використання пиловідсмоктувального пристрою може зменшити небезпеки, зумовлені пилом.

#### Правильне поводження та користування електроінструментами

- ▶ **Не перевантажуйте електроінструмент. Використовуйте такий електроінструмент, що спеціально призначений для відповідної роботи.** З придатним електроінструментом Ви з меншим ризиком отримаєте кращі результати роботи, якщо будете працювати в зазначеному діапазоні потужності.
- ▶ **Не користуйтеся електроінструментом з пошкодженим вмикачем.** Електроінструмент, який не вмикається або не вимикається, є небезпечним і його треба відремонтувати.
- ▶ **Перед тим, як регулювати що-небудь на приладі, міняти приладдя або ховати прилад, витягніть штепсель із розетки та/або витягніть акумуляторну батарею.** Ці попереджувальні заходи з техніки безпеки зменшують ризик випадкового запуску приладу.
- ▶ **Ховайте електроінструменти, якими Ви саме не користуєтесь, від дітей. Не дозволяйте користуватися електроінструментом особам, що не знайомі з його роботою або не читали ці вказівки.** Використання електроінструментів недосвідченими особами може бути небезпечним.
- ▶ **Старанно доглядайте за електроінструментом. Перевіряйте, щоб рухомі деталі електроінструмента були правильно розташовані та не заїдали, не були пошкодженими або у будь-якому іншому стані, який міг би вплинути на функціонування електроінструмента.** Пошкоджені електроінструменти потрібно відремонтувати, перш ніж користуватися ними знову. Велика кількість нещасних випадків спричиняється поганим доглядом за електроприладами.
- ▶ **Тримайте різальні інструменти нагостреними та в чистоті.** Старанно доглянуті різальні інструменти з гострим різальним краєм менше застряють та легші в експлуатації.
- ▶ **Використовуйте електроінструмент, приладдя до нього, робочі інструменти тощо відповідно до цих вказівок. Беріть до уваги при цьому умови роботи та специфіку виконуваної роботи.** Використання електроінструментів для робіт, для яких вони не передбачені, може призвести до небезпечних ситуацій.

**Сервіс**

- ▶ **Віддавайте свій електроінструмент на ремонт лише кваліфікованим фахівцям та лише з використанням оригінальних запчастин.** Це забезпечить роботу пристрою протягом тривалого часу.

**Вказівки з техніки безпеки для кутових шліфмашин**

**Вказівки з техніки безпеки при шліфуванні, шліфуванні наждаком, роботах з дротяними щітками та відрізанні шліфувальним кругом**

- ▶ **Цей електроінструмент може використовуватися в якості шліфмашини, шліфмашини з наждачною шкуркою, дротяної щітки або абразивно-відрізного верстата.** Прочитайте всі вказівки з техніки безпеки, інструкції, ілюстрації та специфікації, надані з цим електроінструментом. Невиконання усіх поданих нижче інструкцій може призвести до ураження електричним струмом, пожежі і/або серйозної травми.
- ▶ **Цей електроінструмент не призначений для полірування.** Використання електроінструмента з метою, для якої він не передбачений, може створити небезпечну ситуацію і призвести до тілесних ушкоджень.
- ▶ **Використовуйте лише приладдя, що передбачене і рекомендоване виробником спеціально для цього електроінструмента.** Сама лише можливість закріплення приладдя на електроінструменті не гарантує його безпечно використання.
- ▶ **Допустима кількість обертів приладдя повинна як мінімум відповідати максимальній кількості обертів, що зазначена на електроінструменті.** Приладдя, що обертається швидше дозволеного, може зламатися і розлетітися.
- ▶ **Зовнішній діаметр і товщина приладдя повинні відповідати параметрам електроінструмента.** При неправильних розмірах приладдя існує небезпека того, що робочий інструмент буде недостатньо прикриватися та Ви можете втратити контроль над ним.
- ▶ **Робочі інструменти з різьбою повинні точно пасувати до різьби шліфувального шпинделя.** У робочих інструментах, які монтуються за допомогою фланця, діаметр отвору робочого інструмента повинен пасувати до прийомного діаметра фланця. Робочі інструменти, що неточно кріпляться на електроінструменті, обертаються нерівномірно, сильно вібрують і можуть призвести до втрати контролю.
- ▶ **Не використовуйте пошкоджений робочий інструмент.** Перед кожним використанням перевіряйте робочі інструменти, зокрема, шліфувальні круги на відламки та тріщини, опорні шліфувальні тарілки на тріщини, знос або сильне притуплення, дротяні щітки на розхитані або

зламані дроти. Якщо електроінструмент або робочий інструмент впав, перевірте, чи не пошкодився він, або використовуйте непошкоджений робочий інструмент. Після перевірки і монтажу робочого інструмента Ви самі й інші особи, що знаходяться поблизу, повинні стати так, щоб не знаходитися в площині робочого інструмента, що обертається, після чого увімкніть електроінструмент на одну хвилину на максимальну кількість обертів без навантаження. Пошкоджені робочі інструменти більшістю ламаються під час такої перевірки.

- ▶ **Використовуйте засоби індивідуального захисту.** У залежності від виду робіт використовуйте захисну маску, захист для очей або захисні окуляри. За потреби вдягайте респіратор, навушники, захисні рукавиці або спеціальний фартух, щоб захистити себе від невеличких частинок, що утворюються під час шліфування, та частинок матеріалу. Очі повинні бути захищені від відлетілих чужорідних тіл, що утворюються при різних видах робіт. Респіратор або маска повинні відфільтрувати пил, що утворюється під час роботи. Тривала робота при гучному шумі може призвести до втрати слуху.
- ▶ **Слідкуйте за тим, щоб інші особи дотримувалися безпечної відстані від робочої зони.** Кожен, хто заходить у робочу зону, повинен мати на собі засоби індивідуального захисту. Уламки оброблюваного матеріалу або зламаних робочих інструментів можуть відлітати та спричиняти тілесні ушкодження навіть за межами безпосередньої робочої зони.
- ▶ **При виконанні робіт, при яких приладдя може зачепити заховану електропроводку або власний шнур живлення, тримайте інструмент лише за ізольовані поверхні.** Зачеплення приладдям проводки, що знаходиться під напругою, може призвести до зарядження металевих частин електроінструмента та до ураження електричним струмом.
- ▶ **Тримайте шнур живлення на відстані від приладдя, що обертається.** При втраті контролю над електроінструментом може перерізатися або захопитися шнур живлення та Ваша рука може потрапити під робочий інструмент, що обертається.
- ▶ **Перш, ніж покласти електроінструмент, завжди чекайте, поки приладдя повністю не зупиниться.** Робочий інструмент, що ще обертається, може зачепитися за поверхню, на яку його кладуть, через що можна втратити контроль над електроінструментом.
- ▶ **Не залишайте електроінструмент увімкненим під час перенесення.** Робочий інструмент, що обертається, може випадково зачепити одяг та врізатися в тіло.
- ▶ **Регулярно очищайте вентиляційні щілини електроінструмента.** Вентилятор електромотора

затягує пил у корпус, сильне накопичення металевого пилю може призвести до електричної небезпеки.

- ▶ **Не користуйтеся електроінструментом поблизу горючих матеріалів.** Такі матеріали можуть займатися від іскор.
- ▶ **Не використовуйте робочі інструменти, що потребують охолоджувальної рідини.** Використання води або іншої охолоджувальної рідини може призвести до ураження електричним струмом.

#### Сіпання та відповідні попередження

Сіпання – це несподівана реакція електроінструменту на зачеплення або застрягання приладдя, що обертається, наприклад, шліфувального круга, тарілчастого шліфувального круга, дротяної щітки тощо. В результаті електроінструмент починає неконтрольовано рухатися з прискоренням проти напрямку обертання приладдя в місці застрягання.

Якщо, напр., шліфувальний круг застряє або зачіплюється в оброблюваному матеріалі, край шліфувального круга, що саме врізався в матеріал, може блокуватися, призводячи до відскакування або сіпання шліфувального круга. В результаті шліфувальний круг починає рухатися в напрямку особи, що обслуговує електроінструмент, або у протилежному напрямку, в залежності від напрямку обертання круга в місці застрягання. При цьому шліфувальний круг може переламатися.

Сіпання – це результат неправильної експлуатації або помилок при роботі з електроінструментом. Йому можна запобігти за допомогою належних запобіжних заходів, що описані нижче.

- ▶ **Міцно тримайте електроінструмент, тримайте своє тіло та руки у положенні, в якому Ви зможете протистояти сіпанню.** Завжди використовуйте додаткову рукоятку (за її наявності), щоб бути в стані найкращим чином справитися із сіпанням і реактивними моментами при високій частоті обертання робочого інструмента у момент вмикання. Із сіпанням та реактивними моментами можна справитися за умови придатних запобіжних заходів.
- ▶ **Ніколи не тримайте руку поблизу від робочого інструмента, що обертається.** При сіпанні робочий інструмент може відскочити Вам на руку.
- ▶ **Уникайте своїм корпусом місць, куди в разі сіпання може відскочити електроінструмент.** При сіпанні електроінструмент відскакує в напрямку, протилежному руху шліфувального круга в місці застрягання.
- ▶ **Працюйте з особливою обережністю в кутах, на гострих краях тощо. Запобігайте відскакуванню робочого інструмента від оброблюваного матеріалу та його заклинюванню.** В кутах, на гострих краях або при відскакуванні робочий інструмент може заклинюватися. Це призводить до втрати контролю або сіпання.

- ▶ **Не використовуйте ланцюгові пиляльні диски та пиляльні диски з зубцями.** Таке приладдя часто спричиняє сіпання або втрату контролю над електроінструментом.

#### Особливі вказівки з техніки безпеки для шліфування та відрізання

- ▶ **Використовуйте лише шліфувальні круги, дозволені для цього електроінструмента, та захисний кожух, передбачений для відповідного шліфувального круга.** Шліфувальні круги, що не передбачені для цього електроінструменту, не можна достатньою мірою прикрити, тому вони небезпечні.
  - ▶ **Вигнуті шліфувальні круги потрібно монтувати таким чином, щоб їх робоча поверхня не виступала за край захисного кожуха.** Неправильно монтований шліфувальний круг, що виступає за край захисного кожуха, не можна достатньо захистити.
  - ▶ **Захисний кожух треба надійно встановити на електроінструменті та відрегулювати з досягненням максимальної безпеки таким чином, щоб на оператора дивилася якомога менша частина неприкритого шліфувального інструмента.** Захисний кожух захищає оператора від уламків, випадкового контакту із шліфувальним інструментом та від іскор, від яких міг би зайнятися одяг.
  - ▶ **Шліфувальні круги можна використовувати лише для рекомендованих видів робіт. Наприклад: ніколи не шліфуйте боковою поверхнею відрізного круга.** Відрізни круги призначені для знімання матеріалу кромкою круга. Бічне навантаження може зламати такий круг.
  - ▶ **Завжди використовуйте для вибраного шліфувального круга непошкоджений затисний фланець відповідного розміру та форми.** Придатний фланець підтримує відрізний круг і, таким чином, зменшує небезпеку перелому круга. Фланці для відрізних кругів можуть відрізнятись від фланців для шліфувальних кругів.
  - ▶ **Не використовуйте зношені круги, що вживалися на електроінструментах більших розмірів.** Призначені для більших електроінструментів круги не розраховані на більшу кількість обертів менших електроінструментів та можуть ламатися.
- Інші особливі попередження при відрізанні шліфувальним кругом**
- ▶ **Уникайте застрягання відрізного круга або занадто сильного натискання. Не робіть занадто глибоких надрізів.** Занадто сильне натискання на відрізний круг збільшує навантаження на нього та його схильність до перекосу або застрягання і таким чином збільшує можливість сіпання або ламання шліфувального круга.
  - ▶ **Уникайте зони попереду та позаду відрізного круга.** Якщо Ви пересуваєте відрізний круг в оброблюваному матеріалі в напрямку від себе, при

сіпанні електроінструмент з кругом може відскочити прямо на Вас.

- ▶ **Якщо відрізний круг заклинить або Ви навмисно зупините різання, вимкніть електроінструмент та тримайте його, не рухаючись, поки круг не зупиниться. Ніколи не намагайтеся вийняти з прорізу відрізний круг, що ще обертається, інакше електроінструмент може сіпнутися.** З'ясуйте та усуньте причину заклинення.
- ▶ **Не вмикайте електроінструмент до тих пір, поки він ще знаходиться в оброблюваному матеріалі. Дайте відрізнаючому кругу спочатку досягти повного числа обертів, перш ніж обережно продовжити роботу.** У протилежному випадку круг може застрягти, вискочити з оброблюваного матеріалу або сіпнутися.
- ▶ **Підпирайте плити або великі оброблювані поверхні, щоб зменшити ризик сіпання через заклинення відрізнаючого круга.** Великі заготовки можуть прогинатися під власною вагою. Оброблюваний матеріал треба підпирати з обох боків, а саме як поблизу від прорізу, так і з краю.
- ▶ **Будьте особливо обережні при прорізах в стінах або в інших місцях, в які Ви не можете зазирнути.** Відрізний круг, що занурюється, може порізати газопровід або водопровід, електропроводку або інші об'єкти і спричинити сіпання.

#### Особливі попередження при шліфуванні наждаком

- ▶ **Не використовуйте завеликі абразивні шкурки. Дотримуйтесь інструкції виготовлювача щодо розміру абразивних шкурок.** Абразивна шкурка, що виступає за опорну шліфувальну тарілку, може спричинити тілесні ушкодження, а також застрявання, розрив абразивної шкурки або призвести до сіпання.

#### Особливі попередження при роботі з дротяними щітками

- ▶ **Зважайте на те, що навіть під час звичайного використання з дротяної щітки можуть вилітати шматочки дроту. Не створюйте занадто сильне навантаження на дроти, занадто сильно натискаючи на щітку.** Шматочки дроту, що відлітають, можуть дуже легко впливатися в тонкий одяг та/або шкіру.
- ▶ **Якщо рекомендується захисний кожух, запобігайте тому, щоб захисний кожух та тарілчаста чи чашкова дротяна щітка торкалися одне одного.** Тарілчасті та чашкові дротяні щітки можуть в результаті притискування та через відцентрові сили збільшувати свій діаметр.

#### Додаткові вказівки з техніки безпеки

**Вдягайте захисні окуляри!**



- ▶ **Для знаходження захованих в стіні труб або електропроводки користуйтеся придатними приладами або зверніться в місцеве підприємство**

**електро-, газо- і водопостачання.** Зачеплення електропроводки може призводити до пожежі та ураження електричним струмом. Зачеплення газової труби може призводити до вибуху. Зачеплення водопровідної труби може завдати шкоду матеріальним цінностям або призвести до ураження електричним струмом.

- ▶ **Не торкайтеся шліфувальних або відрізних кругів, поки вони не охолонуть.** Круги сильно нагріваються під час роботи.
- ▶ **При вимкненні електропостачання, напр., при перепадах в живленні або витягуванні штепселя з розетки, розблокуйте вимикач та вимкніть його.** Таким чином Ви попередите неконтрольоване увімкнення приладу.
- ▶ **Закріплюйте оброблювану заготовку.** За допомогою затискного пристрою або лещат оброблюваний матеріал фіксується надійніше ніж при триманні його в руці.

## Опис продукту і послуг



**Прочитайте всі застереження і вказівки.** Невиконання вказівок з техніки безпеки та інструкції може призвести до ураження електричним струмом, пожежі та/або важких серйозних травм.

Будь ласка, дотримуйтеся ілюстрацій на початку інструкції з експлуатації.

### Призначення приладу

Електроінструмент призначений для відрізання, обдирання та крацювання металу та каменю без використання води.

Для розрізання за допомогою зв'язаного абразиву необхідно використовувати спеціальний захисний кожух для розрізання.

Для розрізання каменю необхідно забезпечити достатнє відсмоктування пилу.

В комбінації з дозволеними шліфувальними інструментами електроінструмент може використовуватися для зачищення наждаком.

### Зображені компоненти

Нумерація зображених компонентів посилається на зображення електроприладу на сторінці з малюнком.

- (1) Фіксатор шпинделя
- (2) Вимикач
- (3) Додаткова рукоятка (з ізоляованою поверхнею)
- (4) Шліфувальний шпиндель
- (5) Захисний кожух для шліфування (затискний гвинт)
- (6) Фіксуючий гвинт захисної кришки
- (7) Опорний фланець з кільцем круглого перерізу
- (8) Шліфувальний круг<sup>A)</sup>
- (9) Затискна гайка

- (10) Ріжковий ключ під два отвори для затискної гайки<sup>A)</sup>
- (11) Швидкозатискна гайка **SDS-elic**<sup>A)</sup>
- (12) Твердосплавний чашковий диск<sup>A)</sup>
- (13) Захисний кожух для розрізання (затискний гвинт)<sup>A)</sup>
- (14) Відрізний круг<sup>A)</sup>
- (15) Захист для руки<sup>A)</sup>
- (16) Розпірні шайби<sup>A)</sup>
- (17) Гумова опорна шліфувальна тарілка<sup>A)</sup>
- (18) Шліфувальна шкурка<sup>A)</sup>
- (19) Кругла гайка<sup>A)</sup>
- (20) Чашкова щітка<sup>A)</sup>
- (21) Витяжний ковпак для розрізання з люнетним супортом<sup>A)</sup>
- (22) Алмазний відрізний круг<sup>A)</sup>
- (23) Рукоятка (з ізолюваною поверхнею)
- (24) Демпфер
- (25) Захисний кожух для шліфування
- (26) Кодований кулачок
- (27) Затискний важіль для захисної кришки
- (28) Гвинт для юстування захисної кришки
- (29) Захисний кожух для розрізання

A) **Зображене або описане приладдя не входить в стандартний обсяг поставки. Повний асортимент приладдя Ви знайдете в нашій програмі приладдя.**

## Технічні дані

Кутові шліфувальні машини		GWS 22-180 H	GWS 22-230 H	GWS 22-230 JH	GWS 24-180 H
Товарний номер		3 601 H81 1..	3 601 H82 1..	3 601 H82 2..	3 601 H83 1..
Номінальна споживана потужність	Вт	2200	2200	2200	2400
Вихідна потужність	Вт	1500	1500	1500	1600
Номінальна кількість обертів	хвил. <sup>-1</sup>	8500	6600	6600	8500
Макс. діаметр шліфувального круга	мм	180	230	230	180
Різьба шліфувального шпинделя		M 14	M 14	M 14	M 14
Макс. довжина різьби шліфувального шпинделя	мм	25	25	25	25
Захист від повторного пуску		-	-	●	-
Обмеження пускового струму		-	-	●	-
Поворотна головна рукоятка		-	-	-	-
Гальмо інерційного вибігу		-	-	-	-
Вага відповідно до ЕРТА-Procedure 01:2014					
- З додатковою віброзахисною рукояткою	кг	5,1	5,1	5,3	5,0
- З додатковою стандартною рукояткою	кг	5,0	5,0	5,2	4,9
Клас захисту		□/II	□/II	□/II	□/II

Кутові шліфувальні машини		GWS 24-230 H	GWS 24-230 JH	GWS 26-180 H
Товарний номер		3 601 H84 1..	3 601 H84 2..	3 601 H55 1..
Номінальна споживана потужність	Вт	2400	2400	2600
Вихідна потужність	Вт	1600	1600	1700
Номінальна кількість обертів	хвил. <sup>-1</sup>	6600	6600	8500
Макс. діаметр шліфувального круга	мм	230	230	180
Різьба шліфувального шпинделя		M 14	M 14	M 14
Макс. довжина різьби шліфувального шпинделя	мм	25	25	25
Захист від повторного пуску		-	●	-
Обмеження пускового струму		-	●	-
Поворотна головна рукоятка		-	-	-
Гальмо інерційного вибігу		-	-	-

Кутові шліфувальні машини		GWS 24-230 H	GWS 24-230 JH	GWS 26-180 H
Вага відповідно до ЕРТА-Procedure 01:2014				
– З додатковою віброзахисною рукояткою	кг	5,2	5,3	6,0
– З додатковою стандартною рукояткою	кг	5,1	5,2	5,9
Клас захисту		□/II	□/II	□/II

Кутові шліфувальні машини		GWS 26-230 B	GWS 26-230 H	GWS 26-230 H
Товарний номер		<b>3 601 H56 3..</b>	<b>3 601 H56 1..</b>	<b>3 601 H56 L..</b>
Номінальна споживана потужність	Вт	2600	2600	2600
Вихідна потужність	Вт	1700	1700	1700
Номінальна кількість обертів	хвил. <sup>-1</sup>	6600	6600	6600
Макс. діаметр шліфувального круга	мм	230	230	230
Різьба шліфувального шпинделя		M 14	M 14	M 14
Макс. довжина різьби шліфувального шпинделя	мм	25	25	25
Захист від повторного пуску		–	–	–
Обмеження пускового струму		–	–	–
Поворотна головна рукоятка		●	–	–
Гальмо інерційного вибігу		–	–	–
Вага відповідно до ЕРТА-Procedure 01:2014				
– З додатковою віброзахисною рукояткою	кг	6,2	6,1	6,1
– З додатковою стандартною рукояткою	кг	6,1	6,0	6,0
Клас захисту		□/II	□/II	□/II

Кутові шліфувальні машини		GWS 20-230 H	GWS 24-230 JVX
Товарний номер		<b>3 601 H50 1..</b>	<b>3 601 H64 5..</b>
Номінальна споживана потужність	Вт	2000	2400
Вихідна потужність	Вт	1250	1600
Номінальна кількість обертів	хвил. <sup>-1</sup>	6600	6600
Макс. діаметр шліфувального круга	мм	230	230
Різьба шліфувального шпинделя		M 14	M 14
Макс. довжина різьби шліфувального шпинделя	мм	25	18
Захист від повторного пуску		–	–
Обмеження пускового струму		–	●
Поворотна головна рукоятка		–	●
Гальмо інерційного вибігу		–	●
Вага відповідно до ЕРТА-Procedure 01:2014			
– З додатковою віброзахисною рукояткою	кг	5,2	6,5
– З додатковою стандартною рукояткою	кг	5,1	6,4
Клас захисту		□/II	□/II

Параметри зазначені для номінальної напруги [U] 230 В. При інших значеннях напруги, а також у специфічному для країни виконанні можливі інші параметри.

Лише для електроприладів без обмежувача пускового струму: Процеси вмикання спричиняють короточасні падіння напруги. За несприятливих умов у мережі це може впливати на інші прилади. При повному опорі в мережі менш за 0,25 Ом перешкоди не очікуються.

### Інформація щодо шуму і вібрації

Рівень шумів визначений відповідно до EN 60745-2-3.

A-зважений рівень звукового тиску від електроприладу, як правило, становить: **93** дБ(A); звукова потужність **104** дБ(A). Похибка K = **3** дБ.

**Вдягайте навушники!**

Сумарна вібрація  $a_h$  (векторна сума трьох напрямків) і похибка  $K$ , визначені відповідно до **EN 60745-2-3**:

Шліфування поверхонь (обдирання):

$$a_h = 7,5 \text{ м/с}^2, K = 1,5 \text{ м/с}^2,$$

Шліфування абразивною шкуркою:

$$a_h = 4,5 \text{ м/с}^2, K = 1,5 \text{ м/с}^2.$$

Зазначений в цих вказівках рівень вібрації вимірювався за нормованою процедурою, отже ним можна користуватися для порівняння електроінструментів. Він придатний також і для попередньої оцінки вібраційного навантаження.

Зазначений рівень вібрації стосується головних робіт, для яких застосовується електроприлад. Однак при застосуванні електроприладу для інших робіт, роботі з іншими робочими інструментами або при недостатньому технічному обслуговуванні рівень вібрації може бути іншим. В результаті вібраційне навантаження протягом всього інтервалу використання інструменту може значно зростати.

Для точної оцінки вібраційного навантаження треба враховувати також і інтервали часу, коли прилад вимкнтий або, хоч і увімкнтий, але саме не в роботі. Це може значно зменшити вібраційне навантаження протягом всього інтервалу використання приладу.

Визначте додаткові заходи безпеки для захисту оператора електроінструмента від вібрації, напр.: технічне обслуговування електроінструмента і робочих інструментів, нагрівання рук, організація робочих процесів.

## Монтаж

### Монтаж захисних пристроїв

- ▶ **Перед будь-якими маніпуляціями з електроприладом витягніть штепсель з розетки.**

**Вказівка:** Після поломки шліфувального круга під час роботи або при пошкодженні затискних пристроїв на захисному кожусі/на електроприладі необхідно негайно відправити електроприлад в сервісну майстерню, адреси див. у розділі «Сервіс і консультації з питань застосування».

### Захисний кожух для шліфування (GWS 24-230 JVX)

Відпустіть затискний важіль (27). Встроміть захисний кожух кодованим кулачком (26) у кодований паз на шийці шпинделя, щоб бортик захисного кожуха сів на фланець електроінструмента, та поверніть захисний кожух у потрібне положення. Затисніть затискний важіль (27).

- ▶ **Захисний кожух (25) потрібно встановити так, щоб іскри не могли летіти в напрямку оператора.**

Можна змінювати силу затискання замка захисного кожуха, відпускаючи або затягуючи юстувальний гвинт (28). Слідкуйте за міцною посадкою захисного кожуха і регулярно перевіряйте її.

**Вказівка:** Завдяки кодованим кулачкам на захисному кожусі можна монтувати лише захисний кожух, що розрахований на відповідний електроінструмент.

### Захисний кожух для шліфування (затискний гвинт) (GWS 20-230 H / GWS 22-180 H / GWS 22-230 H/JH / GWS 24-180 H / GWS 24-230 H/JH / GWS 26-180 H / GWS 26-230 B/H)

Надіньте захисний кожух (5) на шийку шпинделя. Налаштуйте положення захисного кожуха (5) в залежності від потреб робочої операції і зафіксуйте захисну кришку (5) фіксуємим гвинтом (6).

- ▶ **Захисний кожух (5) потрібно встановити так, щоб іскри не могли летіти в напрямку оператора.**

### Захисний кожух для розрізання

- ▶ **Для розрізання за допомогою зв'язаного абразиву необхідно використовувати захисний кожух для розрізання (13)/(29).**

- ▶ **Для розрізання каменю необхідно забезпечити достатнє відсмоктування пилу.**

Захисний кожух для розрізання (13)/(29) монтується так само, як захисний кожух для шліфування.

### Витяжний ковпак для розрізання з люнетним супортом

Витяжний ковпак для розрізання з люнетним супортом (21) монтується так само, як захисний кожух для шліфування.

### Додаткова рукоятка

- ▶ **Працюйте з електроінструментом лише з додатковою рукояткою (3).**

Прикрутіть додаткову рукоятку (3) в залежності від способу роботи праворуч або ліворуч від головки редуктора.

### Демпфер

(GWS 24-230 JVX)

 **Vibration Control** Інтегрований демпфер зменшує вібрацію.

- ▶ **Не продовжуйте користуватися електроприладом, якщо демпферний елемент пошкоджений.**

### Захист для руки

- ▶ **Для роботи з гумовою опорною шліфувальною тарілкою (17) або з чашковою щіткою/дисковою щіткою/віялоподібним кругом завжди монтуйте захист для рук (15).**

Закріплюйте захист для рук (15) за допомогою додаткової рукоятки (3).

### Монтаж шліфувальних робочих інструментів

- ▶ **Перед будь-якими маніпуляціями з електроприладом витягніть штепсель з розетки.**

- ▶ **Не торкайтеся шліфувальних або відрізних кругів, поки вони не охолонуть.** Круги сильно нагріваються під час роботи.

Очистіть шліфувальний шпindel (4) і всі призначені для монтажу деталі.

При монтажі і демонтажі шліфувальних робочих інструментів натисніть на фіксатор шпинделя (1), щоб зафіксувати шліфувальний шпindel.

- ▶ **Перш, ніж натискати на фіксатор шпинделя, зачекайте, поки шліфувальний шпindel не зупиниться!** В іншому разі електроінструмент може пошкодитися.

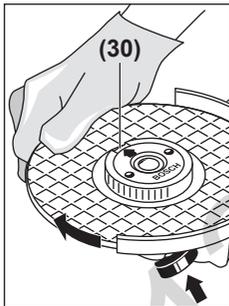
### Швидкозатискна гайка SDS-clic

Для простої заміни шліфувального інструмента без використання додаткових інструментів замість затискної гайки (9) можна використовувати швидкозатискну гайку (11).

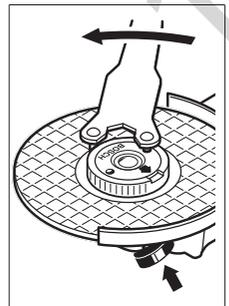
- ▶ Швидкозатискну гайку (11) дозволяється використовувати лише для шліфувальних і відрізних кругів.

Використовуйте лише бездоганну, непошкоджену швидкозатискну гайку (11).

При закручуванні слідкуйте за тим, щоб промаркована сторона швидкозатискної гайки (11) не дивилася на шліфувальний круг; стрілка повинна дивитися на індексну позначку (30).



Натисніть на фіксатор шпинделя (1), щоб зафіксувати шліфувальний шпindel. Для затягнення швидкозатискної гайки із силою поверніть шліфувальний круг за стрілкою годинника.



Закріплену належним чином, непошкоджену швидкозатискну гайку можна відпустити, вручну повертаючи кільце з накаткою проти стрілки годинника. **Ніколи не відкручуйте швидкозатискну гайку, яка сидить дуже міцно, кльцями – використовуйте ріжковий ключ під два отвори.** Приставляйте

ріжковий ключ під два отвори, як показано на малюнку.

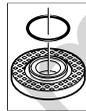
### Шліфувальний/відрізний круг

Зважайте на розміри шліфувальних робочих інструментів. Діаметр отвору має пасувати до опорного фланця. Не використовуйте адаптери або перехідники. При використанні алмазних відрізних кругів слідкуйте за тим, щоб стрілка напрямку обертання на алмазному відрізнному крузі відповідала напрямку обертання електроінструмента (див. стрілку напрямку обертання на головці редуктора).

Послідовність монтажу зображена на сторінці з малюнками.

Для закріплення шліфувального/відрізнного круга накрутіть затискну гайку (9) і затягніть її за допомогою ключа під два отвори, див. розділ (див. „Швидкозатискна гайка SDS-clic“, Сторінка 62).

- ▶ **Після монтажу шліфувального інструмента, перш ніж вмикати прилад, перевірте, чи правильно вмонтований шліфувальний інструмент і чи вільно він може обертатися. Впевніться, що шліфувальний інструмент не зачіпає захисний кожух або інші деталі.**



В опорному фланці (7) на центруючому пояску знаходиться пластмасова деталь (кільце круглого перерізу). **Якщо кільце круглого перерізу відсутнє або пошкоджене, опорний фланець (7)**

необхідно обов'язково замінити перед подальшим використанням.

### Віялоподібний шліфувальний круг

- ▶ **Для роботи з віялоподібним кругом завжди монтуйте захист для рук (15).**

### Гумовий тарічастий шліфувальний круг

- ▶ **Для робіт з гумовим тарічастим шліфувальним кругом (17) завжди монтуйте захист для рук (15).**

Послідовність монтажу зображена на сторінці з малюнками.

Перед монтажем гумового опорної шліфувальної тарілки (17) надіньте 2 розпірні шайби (16) на шліфувальний шпindel (4).

(GWS 20-230 H / GWS 22-180 H / GWS 22-230 H/JH / GWS 24-180 H / GWS 24-230 H/JH / GWS 26-180 H / GWS 26-230 V/H).

Накрутіть круглу гайку (19) і затягніть її за допомогою ріжкового ключа під два отвори.

**Вказівка:** Зважайте на те, що круглу гайку (19) буде важко відкручувати (GWS 24-230 JVX).

### Чашкова/дискова щітка

- ▶ **Для роботи з чашковою або дисковою щіткою завжди встановлюйте захист для рук (15).**

Послідовність монтажу зображена на сторінці з малюнками.

Чашкову/дискову щітку потрібно накручувати на шліфувальний шпindel настільки, щоб вона щільно прилягала до фланця шліфувального шпинделя в кінці

різби. Міцно затягніть чашкову/дискову щітку вилковим гайковим ключем.

**Вазівка:** Зважайте на те, що шліфувальний інструмент буде важко відкручувати (GWS 24-230 JVX).

### Дозволені шліфувальні інструменти

Дозволяється використовувати усі названі в цій інструкції шліфувальні інструменти.

Допустима частота обертання [хвил.<sup>-1</sup>] або колова швидкість [м/с] використовуваних шліфувальних інструментів має принаймні відповідати даним, зазначеним в нижчеподаній таблиці.

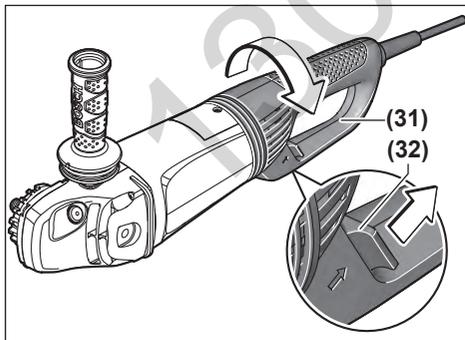
З цієї причини зважайте на допустиму **частоту обертання або колову швидкість**, зазначені на етикетці шліфувального інструмента.

	макс. [мм]		[мм]		
	D	b			
	180	8	22,2	8500	80
	230	8	22,2	6600	80
	180	-	-	8500	80
	230	-	-	6600	80
	100	30	M 14	8500	45

### Повертання головної рукоятки

(GWS 24-230 JVX / GWS 26-230 B)

► **Перед будь-якими маніпуляціями з електроприладом витягніть штепсель з розетки.**



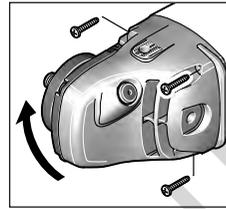
Головну рукоятку (31) можна повертати відповідно до корпусу мотора на 90° ліворуч або праворуч. Завдяки цьому вимикач буде знаходитися у більш зручному для певних видів роботи положенні, напр., для розрізання з витяжним ковпаком з люнетним супортом (21) або для лівшів.

Потягніть кнопку розблокування рукоятки (32) за напрямком стрілки і одночасно поверніть рукоятку (31) у бажане положення, щоб вона зайшла у зачеплення.

### Повертання головки редуктора

(GWS 20-230 H / GWS 22-180 H / GWS 22-230 H/JH / GWS 24-180 H / GWS 24-230 H/JH / GWS 26-180 H / GWS 26-230 B/H)

► **Перед будь-якими маніпуляціями з електроприладом витягніть штепсель з розетки.**



Головку редуктора можна повертати з інтервалом у 90°. Завдяки цьому вимикач буде знаходитися у більш зручному для певних видів роботи положенні, напр., для розрізання з витяжним ковпаком з люнетним супортом (21) або для лівшів.

Повністю викрутіть 4 гвинти. Обережно поверніть головку редуктора, **не знімаючи її з корпусу** в нове положення. Знову затягніть 4 гвинти.

### Відсмоктування пилу/тирси/стружки

Пил таких матеріалів, як напр., лакофарбових покриттів, що містять свинець, деяких видів деревини, мінералів і металу, може бути небезпечним для здоров'я. Торкання або вдихання пилу може викликати у Вас, або у осіб, що знаходяться поблизу, алергічні реакції та/або захворювання дихальних шляхів.

Певні види пилу, як напр., дубовий або буковий пил, вважаються канцерогенними, особливо в сполученні з добавками для обробки деревини (хромат, засоби для захисту деревини). Матеріали, що містять азбест, дозволяється обробляти лише спеціалістам.

- За можливість використовуйте придатний для матеріалу відсмоктувальний пристрій.
- Слідкуйте за доброю вентиляцією на робочому місці.
- Рекомендується вдягати респіраторну маску з фільтром класу P2.

Додержуйтеся приписів щодо оброблюваних матеріалів, що діють у Вашій країні.

► **Уникайте накопичення пилу на робочому місці.** Пил може легко займатися.

## Робота

### Початок роботи

► **Зважайте на напругу у мережі! Напруга в джерелі струму повинна відповідати даним на заводській таблиці електроінструменту. Електроприлад, що розрахований на напругу 230 В, може працювати також і при 220 В.**

При експлуатації електроприладу від пересувних електроагрегатів (генераторів), які не мають достатнього резерву потужності або придатного регулятора напруги з підсиленням пускового струму, можлива втрата потужності або незвичайна поведінка при вмиканні.

Будь ласка, зважайте на придатність використовуваного Вами електроагрегату, особливо стосовно напруги та частоти струму.

#### Вмикання/вимкання

Щоб **увімкнути** електроінструмент, посуňte вимикач (2) вперед і натисніть на нього.

Щоб **зафіксувати** вимикач (2), посуňte вимикач (2) далі вперед.

Щоб **вимкнути** електроінструмент, відпустіть вимикач (2) або, якщо він зафіксований, натисніть коротко на вимикач (2) і потім відпустіть його.

#### Модель вимикача без фіксатора (в залежності від країни):

Щоб **увімкнути** електроінструмент, посуňte вимикач (2) вперед і натисніть на нього.

Щоб **вимкнути** електроінструмент, відпустіть вимикач (2).

- ▶ **Перед використанням перевіряйте шліфувальні інструменти. Шліфувальні робочі інструменти мають бути бездоганно монтвані і вільно повертатися. Здійсніть пробне увімкнення принаймні на 1 хвилину без навантаження. Не використовуйте пошкоджені, нерівні шліфувальні інструменти або такі, що вібрують.** Пошкоджені робочі інструменти можуть ламатися і спричиняти тілесні ушкодження.

#### Гальмо інерційного вибігу (GWS 24-230 JVX)



Цей електроінструмент обладнаний запатентованим електромеханічним гальмом вибігу Bosch Brake System. При вмиканні електроінструменту або перебою з електропостачанням шліфувальний

інструмент зупиняється за лічені секунди. Порівняно з кутовими шліфмашинами без гальма вибігу це скорочує інерційний вибіг прибл. на 70 % та дозволяє раніше покласти електроінструмент.

**Вказівка:** Відчутне погіршення гальмування свідчить про те, що гальмо вибігу вийшло з ладу. Електроприлад необхідно негайно відправити в сервісну майстерню, адреси див. у розділі «Сервіс та надання консультації щодо використання продукції».

#### Захист від повторного пуску (GWS 22-230 JH / GWS 24-230 JH)

Захист від повторного пуску запобігає неконтрольованому запуску електроінструмента після перебоїв з електропостачанням.

Щоб **знову увімкнути** електроінструмент, вимкніть вимикач (2), а потім знову увімкніть електроінструмент.

#### Обмеження пускового струму (GWS 22-230 JH / GWS 24-230 JH/JVX)

Електронне обмеження пускового струму обмежує потужність при вмиканні електроприладу і дозволяє експлуатувати його з запобіжником 16 А.

**Вказівка:** Якщо одразу після вмикання електроінструмент працює на повній кількості обертів, вийшли з ладу обмежувач пускового струму і захист від повторного пуску. Електроприлад необхідно негайно відправити в сервісну майстерню, адреси див. у розділі «Сервіс і консультації з питань застосування».

#### Вказівки щодо роботи

- ▶ **Перед будь-якими маніпуляціями з електроприладом витягніть штепсель з розетки.**
- ▶ **Будьте обережні при прорізаннях шліців у несучій стіні, див. розділ «Вказівки щодо статки».**
- ▶ **Якщо оброблювана заготовка не лежить стабільно під власною вагою, її потрібно закріпити.**
- ▶ **Не навантажуйте електроінструмент настільки, щоб він зупинився.**
- ▶ **Після сильного навантаження дайте електроінструменту ще декілька хвилин попрацювати на холостому ходу, щоб змінний робочий інструмент міг охолонути.**
- ▶ **Не торкайтеся шліфувальних або відрізнних кругів, поки вони не охолонуть.** Круги сильно нагріваються під час роботи.
- ▶ **Не використовуйте електроприлад на абразивно-відрізнній станині.**

**Вказівка:** Якщо електроінструмент не використовується, витягуйте штепсель з розетки. При увімкнутому штепселі і наявності струму в мережі електроінструмент споживає невелику кількість електроенергії також у вимкненому стані.

#### Обдирне шліфування

- ▶ **Ніколи не використовуйте для обдирання відрізнні шліфувальні круги.**

Під кутом встановлення від 30° до 40° при обдирному шліфуванні досягається найкращий результат оброблення. Поводьте електроінструментом назад і вперед, натискаючи на нього з однаковою силою. Завдяки цьому оброблювана заготовка не буде перегріватися, не змінить своєї фарби і на ній не утвориться смужок.

#### Віялоподібний шліфувальний круг

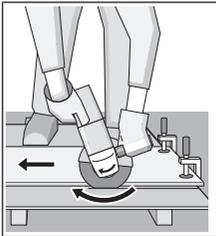
Віялоподібним шліфувальним кругом (приладдя) можна також обробляти вигнуті поверхні і профілі. Віялоподібні шліфувальні круги мають значно довший експлуатаційний ресурс, спричиняють менше шуму і мають нижчу температуру шліфування ніж традиційні шліфувальні круги.

### Розрізання металу

**Для розрізання за допомогою зв'язаного абразиву необхідно використовувати захисний кожух для розрізання (13)/(29).**

При відрізання працюйте з помірним просуванням робочого інструмента у відповідності до оброблюваного матеріалу. Не натискайте на відрізний круг, не перекошуйте його і не хитайте його.

Після вимкнення приладу не гальмуйте відрізний круг притисканням збоку.



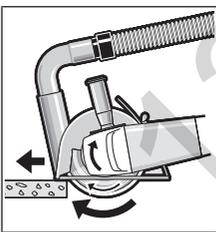
Електроінструмент потрібно завжди використовувати проти напрямку обертання. Інакше існує небезпека неконтрольованого виривання із прорізу. При розрізанні профілів і квадратних труб краще починати з найменшого перерізу.

### Розрізання каменю

- ▶ Для розрізання каменю необхідно забезпечити достатнє відсмоктування пилу.
- ▶ Вдягайте пилозахисну маску.
- ▶ Електроінструмент дозволяється використовувати лише для сухого розрізання/сухого шліфування.

Для розрізання каменю краще використовувати алмазний відрізний круг.

При використанні витяжного ковпака для розрізання з лунетним супортом (21) пиლოსос повинен бути допущеним для відсмоктування кам'яного пилу. Bosch пропонує придатні пиლოსоси.



Увімкніть електроінструмент і приставте його передньою частиною напрямних салазок до оброблюваної заготовки. Просувajte електроінструмент із помірною подачею у відповідності до оброблюваного

матеріалу.

При розрізанні особливо твердих матеріалів, напр., бетону з високим вмістом гальки, алмазний відрізний круг може перегріватися, що призводить до його пошкодження. Про це недвозначно свідчить вінець із іскор навколо алмазного відрізного круга.

У такому випадку припиніть розрізання та дайте алмазному відрізаному кругу охолонути, давши йому протягом короткого часу попрацювати на холостому ходу при максимальній кількості обертів.

Значне зменшення продуктивності роботи і значна кількість іскор свідчать про затуплення алмазного

відрізного круга. Ви можете знов нагострити його, зробивши короткі надрізи в абразивному матеріалі, напр., у силікатній цеглі.

### Вказівки щодо статики

Шліци в несучих стінах підлягають стандарту DIN 1053 ч. 1 або національним приписам. Цих приписів потрібно обов'язково додержуватися. З цієї причини перед початком роботи необхідно отримати консультацію від відповідного спеціаліста зі статики, архітектора або прораба.

## Технічне обслуговування і сервіс

### Технічне обслуговування і очищення

- ▶ Перед будь-якими маніпуляціями з електроприладом витягніть штепсель з розетки.
- ▶ Для якісної і безпечної роботи тримайте електроприлад і вентиляційні отвори в чистоті.
- ▶ У екстремальних умовах застосування за можливості завжди використовуйте відсмоктувальний пристрій. Часто продувайте вентиляційні щілини та під'єднуйте інструмент через пристрій захисного (PRCD) вимкнення. При обробці металів усередині електроприладу може осідати електропровідний пил. Це може позначитися на захисній ізоляції електроприладу.

Акуратно зберігайте приладдя та акуратно поводьтеся з ним.

Якщо треба поміняти під'єднувальний кабель, це треба робити на фірмі **Bosch** або в сервісній майстерні для електроінструментів **Bosch**, щоб уникнути небезпек.

### Сервіс і консультації з питань застосування

В сервісній майстерні Ви отримаєте відповідь на Ваші запитання стосовно ремонту і технічного обслуговування Вашого продукту. Малюнки в деталях і інформацію щодо запчастин можна знайти за адресою: [www.bosch-pt.com](http://www.bosch-pt.com) Команда співробітників Bosch з надання консультацій щодо використання продукції із задоволенням відповість на Ваші запитання стосовно нашої продукції та приладдя до неї.

При всіх додаткових запитаннях та замовленні запчастин, будь ласка, зазначайте 10-значний номер для замовлення, що стоїть на паспортній таблиці продукту.

Гарантійне обслуговування і ремонт електроінструменту здійснюються відповідно до вимог і норм виготовлювача на території всіх країн лише у фірмових або авторизованих сервісних центрах фірми «Роберт Бош». ПОПЕРЕДЖЕННЯ! Використання контрафактної продукції небезпечно в експлуатації і може мати негативні наслідки для здоров'я. Виготовлення і розповсюдження контрафактної продукції переслідується за Законом в адміністративному і кримінальному порядку.

### Україна

Бош Сервісний Центр електроінструментів  
вул. Крайня 1

02660 Київ 60  
Тел.: +380 44 490 2407  
Факс: +380 44 512 0591  
E-Mail: pt-service@ua.bosch.com  
www.bosch-professional.com/ua/uk

Адреса Регіональних гарантійних сервісних майстерень зазначена в Національному гарантійному талоні.

### Утилізація

Електроприлади, приладдя і упакування треба здавати на екологічно чисту повторну переробку.



Не викидайте електроінструменти в побутове сміття!

### Лише для країн ЄС:

Відповідно до Європейської директиви 2012/19/EU щодо відпрацьованих електричних і електронних приладів і її перетворення в національне законодавство непридатні до вживання електроінструменти треба збирати окремо і здавати на екологічно чисту рекуперацію.

## Қазақ

### Еуразия экономикалық одағына (Кеден одағына) мүше мемлекеттер аумағында қолданылады

Өндірушінің өнім үшін қарастырған пайдалану құжаттарының құрамында пайдалану жөніндегі осы нұсқаулық, сонымен бірге қосымшалар да болуы мүмкін. Сәйкестікті растау жайлы ақпарат қосымшада бар.

Өнімді өндірген мемлекет туралы ақпарат өнімнің корпусында және қосымшада көрсетілген.

Өндірілген мерзімі Нұсқаулық мұқабасының соңғы бетінде көрсетілген.

Импортерге қатысты байланыс ақпарат өнім қаптамасында көрсетілген.

#### Өнімді пайдалану мерзімі

Өнімнің қызмет ету мерзімі 7 жыл. Өндірілген мерзімнен бастап (өндіру күні зауыт тақтайшасында жазылған) істетпей 5 жыл сақтағаннан соң, өнімді тексеру (сервистік тексеру) пайдалану ұсынылмайды.

Көрсетілген қызмет ету мерзімі тұтынушы аталмыш нұсқаулықтың талаптарын орындаған жағдайда ғана жарамды болады.

#### Істен шығу себептерінің тізімі

- көп ұшқын шықса, пайдаланбаңыз
- қатты діріл кезінде пайдаланбаңыз

- тоқ сымы бұзылған немесе оқшаулаусыз болса, пайдаланбаңыз
- өнім корпусынан тікелей түгін шықса, пайдаланбаңыз

#### Пайдаланушының мүмкін қателіктері

- тұтқасы мен корпусы бұзылған болса, өнімді пайдаланбаңыз
- жауын – шашын кезінде сыртта пайдаланбаңыз
- корпус ішіне су кірсе құрылғыны қосушы болмаңыз

#### Шекті күй белгілері

- тоқ сымының тозуы немесе зақымдануы
- өнім корпусының зақымдалуы

#### Қызмет көрсету түрі мен жиілігі

- Әр пайдаланудан соң өнімді тазалау ұсынылады.

#### Сақтау

- құрғақ жерде сақтау керек
- жоғары температура көзінен және күн сәулелерінің әсерінен алыс сақтау керек
- сақтау кезінде температураның кенет ауытқуынан қорғау керек
- орамасыз сақтау мүмкін емес
- сақтау шарттары туралы қосымша ақпарат алу үшін МЕМСТ 15150 (шарт 1) құжатын қараңыз
- +5-ден +40 °C-қа дейін температурасында қоймада өндірушінің қаптамасында сақтаңыз. Салыстырмалы ылғалдылық 80 % -дан аспауы тиіс.

#### Тасымалдау

- тасымалдау кезінде өнімді құлатуға және кез келген механикалық ықпал етуге қатаң тыйым салынады
- босату/жүктеу кезінде пакетті қысатын машиналарды пайдалануға рұқсат берілмейді
- тасымалдау шарттары талаптарын МЕМСТ 15150 (5 шарт) құжатын оқыңыз
- Қоршаған орта температурасы –50 °C-тан +50 °C-қа дейін тасымалдау рұқсат етілген. Салыстырмалы ылғалдылық 100 % -дан аспауы тиіс.

## Қауіпсіздік нұсқаулары

### Жалпы электр құралды қауіпсіздік нұсқаулары

#### 4 ЕСКЕРТУ

#### Барлық қауіпсіздік нұсқаулықтарын және ескертпелерді оқыңыз.

Техникалық қауіпсіздік нұсқаулықтарын және ескертпелерді сақтамау тоқтың соғуына, өрт және/немесе ауыр жарақаттануларға алып келуі мүмкін.

#### Болшақ жұмыстар үшін қауіпсіздік нұсқаулықтары мен ескертпелерді сақтап қойыңыз.

Қауіпсіздік нұсқаулықтарында пайдаланылған Электр құрал атауының желіден қуат алатын электр құралдарына (желілік кабелі менен) және аккумуляторден қуат алатын электр құралдарына (желілік кабелі жоқ) қатысы бар.

### Жұмыс орнының қауіпсіздігі

- ▶ **Жұмыс орнын таза және жарық ұстаңыз.** Ластанған және қараңғы жайларда сәтсіз оқиғалар болуы мүмкін.
- ▶ **Электр құрылғысын жарылатын атмосферада пайдаланбаңыз, мысалы, жанатын сұйықтық, газ немесе шаң бар болғанда.** Электр құрал ұшқындарды жасайды, ал олар шаң немесе буларды жандыруы мүмкін.
- ▶ **Балалар мен бақылаушыларды электр құралынан алыс ұстаңыз.** Алданулар бақылау жоғалуына алып келуі мүмкін.
- ▶ Жабдық тұрмыстық жағдайларда, коммерциялық аймақтарда және қоғамдық жерлерде, зиянды және қауіпті өндірістік факторлар жоқ кіші электр тұтынуы бар өндірістік аймақтарында жұмыс істеу үшін арналған.

### Электр қауіпсіздігі

- ▶ **Электр айырлары розеткаға сай боулы тиіс.** Айырды ешқашан ешқандай тәрізде өзгертпеңіз. Жерге қосылған электр құралдарымен адаптер айырларын пайдаланбаңыз. Өзгертілмеген айырлар мен сәйкес розеткалар электр түйіқталуының қауіпін төмендетеді.
- ▶ **Құбырлар, радиаторлар, плиталар мен суытқыштар сияқты жерге қосылған беттерге тимеңіз.** Денеңіз жерге қосылған болса жоғары тоқ соғу қауіпі пайда болады.
- ▶ **Электр құралдарды жаңбырда немесе ылғалды қоршауда пайдаланбаңыз.** Электр құралына кірген су тоқ соғу қауіпін жоғарылатады.
- ▶ **Кабельді тиісті болмаған ретте пайдаланбаңыз.** Кабельді электр құралын тасу, көтеру немесе тоқтан шығару үшін пайдаланбаңыз. Кабельді ыстықтық, май, өткір қырлар және жылжымалы бөлшектерден алыс ұстамаңыз. Зақымдалған немесе бытысып кеткен кабель тоқ соғу қауіпін жоғарылатады.
- ▶ **Электр құралын сыртта пайдаланғанда сыртқы жайлар үшін сай кабельді пайдаланыңыз.** Сыртта пайдалануға жарамды кабельді пайдалану тоқ соғу қауіпін төмендейді.
- ▶ **Егер электр құралын ылғалды жерде пайдалану керек болса, онда қорғайтын өшіру құрылғысы (RCD) арқылы қорғалған тоқ желісін пайдаланыңыз.** RCD пайдалану тоқ соғу қауіпін төмендетеді.

### Жеке қауіпсіздік

- ▶ **Электр құралды пайдалануда абай болыңыз, жұмысыңызды бақылаңыз және парасатты пайдаланыңыз.** Электр құралды шаршаған кезде немесе есірткі, алкоголь немесе дәрі әсер еткен кезде пайдаланбаңыз. Электр құралын пайдалану кезінде аңсыздық ауыр жеке жарақаттануға алып келуі мүмкін.

- ▶ **Жеке қорғайтын жабдықтарды пайдаланыңыз. Әрдайым көз қорғанысын тағыңыз.** Шаң маскасы, сырғанбайтын қауіпсіздік аяқ киімдері, шлем немесе есту қорғаныштары сияқты қорғағыш жабдықтары тиісті жағдайларда қолданып жеке жарақаттануларды кемеітеді.
- ▶ **Кездейсоқ іске қосылудың алдын алу. Тоқ көзіне және/немесе батареялар жинағына қосудан алдын, құралды көтеру немесе тасудан алдын өшіргіш өшік күйде болуына көз жеткізіңіз.** Электр құралын саусақты өшіргішке қойып тасу немесе қосқышы қосулы электр құралын тоққа қосу сәтсіз оқиғаға алып келуі мүмкін.
- ▶ **Электр құралын қосудан алдын келген реттеу сынасын немесе кілтті алып қойыңыз.** Электр құралының айналатын бөлігінде қалған кілт немесе сына жеке жарақаттануға алып келуі мүмкін.
- ▶ **Көп күш істетпеңіз. Әрдайым тиісті таяныш пен тең салмақтылықты сақтаңыз.** Бұл күтілмеген жағдайларда электр құралдың бақылануын сақтайды.
- ▶ **Тиісті киім киіңіз. Бос киім мен әшекейлерді киймеңіз. Шашыңызды, киімді және қолғапты жылжымалы бөлшектерден алыс ұстаңыз.** Бос киімдер, әшекейлер немесе ұзын шаш жылжымалы бөлшектерге тартылып қалуы мүмкін.
- ▶ **Егер шаң шығарып жинау жабдықтарына қосу құрылғылары берліген болса, онда олар қосулы болуына және тиісті ретте қолдануына көз жеткізіңіз.** Шаң жинауды пайдалану шаңға байланысты зияндарды кемеітеді.
- ▶ **НАЗАР АУДАРЫҢЫЗ!** Энергиямен жабдықтаудың толықтай не жекелей тоқтатылуы немесе энергиямен жабдықтауды басқару тізбегінің ақаулануы салдарынан электр құралының жұмысында кідіріс пайда болған жағдайда, бұғатталмағандығына көз жеткізіп (болған жағдайда) барып, ажыратқышты Выкл. (Өшіру) қалпына келтіріңіз. Желілік ашаны розеткадан шығарыңыз немесе алып – салмалы аккумуляторды ажыратыңыз. Осы әрекет арқылы бақыланбайтын қайта іске қосылудың алдын аласыз.
- ▶ Аталмыш пайдалану жөніндегі нұсқаулыққа сәйкес білікті қызметкерлер құрамына электр құралын реттеу, монтаждау, қолданысқа енгізу және оған қызмет көрсету әрекеттерімен таныс тұлғалар жатады.
- ▶ Электр құралымен жұмыс істеуге 18 жасқа толған, техникалық сипаттаманы, пайдалану жөніндегі нұсқаулықты және қауіпсіздік ережелерін оқып шыққан тұлғаларға рұқсат етіледі.
- ▶ Дене, сезім немесе ақыл-ой қабілеттері шектеулі немесе тәжірибесі мен білімі жеткіліксіз адамдар олардың қауіпсіздігі үшін жауапты тұлғаның бақылауында болмаса немесе электр құралын пайдалану бойынша нұсқау алмаған болса, бұйымды пайдаланбауы тиіс.

**Электр құралдарын пайдалану және күту**

- ▶ **Құралды аса көп жүктемеңіз. Жұмысыңыз үшін жарамды электр құралын пайдаланыңыз.** Жарамды электр құралымен керекті жұмыс аймағында дұрыс әрі сенімді жұмыс істейсіз.
- ▶ **Ажыратқышы дұрыс емес электр құралын пайдаланбаңыз.** Қосуға немесе өшіруге болмайтын электр құралы қауіпті болып, оны жөндеу қажет болады.
- ▶ **Жабдықтарды реттеу, бөлшектерін алмастыру немесе құралды алып қюодан алдын айырды розеткадан шығарыңыз және/немесе аккумуляторды алып тастаңыз.** Бұл сақтық әрекеті электр құралдың байқаусыз қосылуына жол бермейді.
- ▶ **Пайдаланылмайтын электр құралдарды балалар қолы жетпейтін жайға қойыңыз.** Осыларды білмейтін немесе осы ескертпелерді оқымаған адамдарға бұл құралды пайдалануға жол бермеңіз. Тәжірибесіз адамдар қолында электр құралдары қауіпті болады.
- ▶ **Электр құралдарын ұқыпты күтіңіз. Қозғалмалы бөлшектердің кедергісіз істеуіне және кептеліп қалмауына, бөлшектердің ақаусыз немесе зақымдалмаған болуына, электр құралының зақымдалмағанына көз жеткізіңіз. Зақымдалған бөлшектері бар құралды пайдаланудан алдын жөндеңіз.** Электр құралдарының дұрыс күтілмеуі жазатайым оқиғаларға себеп болып жатады.
- ▶ **Кескіш аспаптарды өткір және таза күйде сақтаңыз.** Дұрыс күтілген және кескіш жиектері өткір кескіш аспаптар аз кептеліп, кесілетін бетке оңай бағытталады.
- ▶ **Электр құралын, жабдықтарды, алмалы-салмалы аспаптарды және т.б. осы нұсқауларға сай пайдаланыңыз. Сонымен жұмыс шарттарымен орындайтын әрекеттерге назар аударыңыз.** Электр құралдарын арналмаған жұмыстарда пайдалану қауіпті.

**Қызмет көрсету**

- ▶ **Электр құралына маманды жөндеуші тек бірдей қосалқы бөлшектермен қызмет көрсетуі керек.** Бұл электр құралының қауіпсіздігін сақталуын қамтамасыз етеді.

**Бұрыштық тегістеу машиналарын пайдалану кезіндегі қауіпсіздік техникасы**

Майдалау, ажарлау, сым қылшықпен тазалау немесе абразивті кесу әдістері үшін қауіпсіздік нұсқаулары

- ▶ **Бұл электр құралы майдалағыш, ажарлағыш, сымдық қылшық немесе кескіш аспап ретінде пайдалануға арналған. Осы электр құралының жинағындағы ескертулерді, нұсқауларды, суреттерді және сипаттамаларды оқыңыз.** Барлық техникалық қауіпсіздік нұсқаулықтарын орындамау тоқтың соғуына, өрт және/немесе ауыр жарақаттануларға алып келуі мүмкін.

- ▶ **Жылтырату сияқты әрекеттерге осы электр құралы арналмаған.** Электр құралына арналмаған әрекеттер зиян, қауіп келтіріп жеке жарақаттануға алып келуі мүмкін.
- ▶ **Аспап өндірушімен жасалмаған немесе ұсынбаған керек-жарақтарды пайдаланбаңыз.** Керек-жарақ электр құралыңызға сай келсе де, қауіпсіз жұмыс істеу қамтамасыз етілмейді.
- ▶ **Жұмыс құралы айналымдарының ұйғарынды саны электр-құралында көрсетілген максималды айналымдар санына тең болуы керек.** Есептелген жылдамдығынан тезірек істеп тұрған керек-жарақтар сынуы, ұшып кетуі мүмкін.
- ▶ **Пайдаланатын жұмыс құралының сыртқы-диаметрі мен-қалыңдығы электр-құралының өлшемдеріне сай болуы керек.** Дұрыс таңдалмаған керек – жарақтар дұрыс-қорғалмауы және-бақылаудан шығуы мүмкін.
- ▶ **Керек-жарақтардың бұрандалы қосқышы майдалағыш шпинделінің бұрандасына сай болуы керек. Фланецпен орнатылған керек-жарақтар үшін олардың орта тесігі фланецтің орнату диаметріне сай болуы керек.** Электр құралының орнату аспаптарына сай болмаған керек-жарақтар теңгерімнен шығып, қатты тербеліп, бақылауды жоғалтуға әкеледі.
- ▶ **Зақымдалған керек-жарақтарды пайдаланбаңыз. Әр пайдаланудан алдын абразивті дөңгелек сияқты керек-жарақтарды сынық пен жарықтарға, етек дискіні жарықтарға, тозу немесе артықшылықтарына, сым қылшақты бос немесе сынған сымдарға тексеріңіз.** Егер электр құралы немесе керек-жарақтар түсіп кетсе, оның зақымдалмағанын тексеріңіз, қажет болса зақымдалмаған керек-жарақтарды орнатыңыз. Керек-жарақтарды тексеріп орнатудан соң, өзіңізді және басқа адамдарды айналып тұрған керек-жарақтар аймағынан алыстатып, электр құралын максималды жүктеусіз жылдамдықпен бір минут айналдырыңыз. Зақымдалған керек-жарақтар әдетте сынақ уақытында сынады.
- ▶ **Жеке-қорғаныс құралдарын (қауіпсіздік көзілдірігін, қорғаныс қалқаны, бас киім және т.б.) пайдаланыңыз. Пайдалануға байланысты қорғағыш масканы, қауіпсіздік көзілдіріктерін қолданыңыз. Керек болғанда, шаң маскасын, құлақ қорғағыштарын, қолғап және кіші абразивті бөлшектерді немесе дайындама бөлшектерін ұстай алатын шеберхана алжапқышын пайдаланыңыз.** Түрлі-жұмыстар барысында пайда болатын ұшатын-бөтен бөлшектерден-қорғайтын қауіпсіздік көзілдірігін пайдаланыңыз. Шаң маскасы немесе респиратор ұсақ бөлшектерден, шаңнан қорғауы керек. Ұзақ шулар есту-қабілетін жоғалтуға әкелуі мүмкін.
- ▶ **Бөтен адамдардың жұмыс-аймағынан-қауіпсіз аймақта болуын қамтамасыз етіңіз. Жұмыс**

- аймағына кіретін кез келген адам жеке қорғағыш жабдықтарды киюі керек. Дайындама бөлшектері немесе сынған керек-жарақтар ұшып, әрекет аймағынан тыс жайда жақарат тигізуі мүмкін.
- ▶ **Кесетін керек-жарақтан жасырын сымдар немесе өз сымына тиюі мүмкін әрекеттерді жасаған кезде электр құрылы оқшауланған ұстау жайынан ұстаңыз.** Егер кесуші аспап істеп тұрған сымға тисе электр құралының метал бөлшектерін істепті пайдаланушыны тоқ соғуы мүмкін.
  - ▶ **Кабельді айналып тұрған аспаптардан алыс ұстаңыз.** Бақылауды жоғалтсаңыз, кабель кесіліп немесе тартылып кетіп, қолыңыз айналып тұрған аспапқа тартылуы мүмкін.
  - ▶ **Айналып тұрған аспап толық тоқтағанша электр құралын қоймаңыз.** Айналып тұрған керек-жарақтар бетке тиіп, электр құралы бақылаудан шығуы мүмкін.
  - ▶ **Электр құралын қасыңызда көтеріп тұрғанда қоспаңыз.** Айналып тұрған аспаптарға кездейсоқ тию кіміңізді ұстап, аспапты денеңізге жақын апаруы мүмкін.
  - ▶ **Электр-құралының желдету-саңылауларын жиі тазартыңыз.** Қозғалтқыш желдеткіші шаңды корпус ішінде тартып, ұнтақталған металдың көп жиналуы электрленуге алып келі мүмкін.
  - ▶ **Электр құралын жанатын материалдарға жақын пайдаланбаңыз.** Ұшқындар-осы-материалдарды тұтандыруы мүмкін.
  - ▶ **Суытқыш сұйықтықты қажет ететін жұмыс құралын - пайдаланбаңыз.** Су-немесе-басқа-да суытқыш сұйықтықты пайдалану электр-тоғының-соғуына-алып-келуі-мүмкін.

#### Қайтарым мен тиісті ескертпелер

Қайтарым бұл соғылған немесе ұсталған айналып тұрған дөңгелек, етек диск, қылшақ немесе басқа керек-жараққа болатын реакция. Соғу немесе ұстау айналып тұрған аспаптың құлап кетуіне және электр құралының бақылаусыз айналуына, қарсы бағытта айналуына алып келеді.

Мысалы, егер абразивті дөңгелек дайындама арқылы соғылса, соғу жеріне кіретін дөңгелектің шеті материал бетіне кіріп, дөңгелектің көтерілуіне немесе атылып кетуіне алып кетуі мүмкін. Дөңгелек пайдалануыша немесе одан әрі ұшуы мүмкін, бұл дөңгелек әрекетінің бағытына байланысты. Абразивті дөңгелектер осы жағдайда сынып кетуі де мүмкін.

Қайтарым электр құралын қате пайдаланудан және/немесе қате пайдалану әдістерінің немесе шарттарының салдарынан болатын жарақаттардың алды алады.

- ▶ **Электр-құралын-мықтап ұстаңыз, денеңіз-бен-қолыңыз кері соққыға қарсылық-көрсете-алатын-күйде-ұстаңыз.** Әрдайым қосымша тұтқадан ұстаңыз, бар болса, осылай іске қосу кезінде қайтарым немесе айналу кезінде максималды бақылау болады. Пайдаланушы айналу реакциялары мен қайтарым күштерін алдын ала көруі мүмкін.

- ▶ **Қолыңызды ешқашан айналып тұрған аспапқа жақындатпаңыз.** Аспап қолыңызға қайтарым жасауы мүмкін.
- ▶ **Денеңізді электр құрал қайтарымда жылжитын аймақта орналастырмаңыз.** Қайтарым құралды қысылу кезінде дөңгелек айналуына қарсы бағытта апарды.
- ▶ **Бұрыштарды, өткір шеттерді өңдегенде аса сақ болыңыз. Аспапты соқпаңыз немесе қыспаңыз.** Бұрыштар, өткір шеттер немесе сырғу айналып тұрған аспаптарды қысып, бақылаудың жоғалуына немесе қайтарымға алып келуі мүмкін.
- ▶ **Аралау шынжырын, ағаш кесетін жүзді немесе тісті ара жүзін орнатпаңыз.** Мұндай-жұмыс құралдары кері соққыға немесе электр құралын бақылауды жоғалтуға алып-келеді.

#### Майдалану мен абразивті кесуге арналған қауіпсіздік нұсқаулары

- ▶ **Тек электр құралыңыз үшін ұсынылған дөңгелек түрлерін және таңдалған дөңгелек үшін құрылған қорғағышты пайдаланыңыз.** Осы электр құралына арналмаған дөңгелектер дұрыс қорғалмай, қауіпті болады.
- ▶ **Ортада қысылған дөңгелектің майдалайтын беті қорғағыштың астында орнатылуы керек.** Дұрыс орнатылмаған қорғағыш, деңгейден шығып тұрған дөңгелек жақсы қорғалуы керек емес.
- ▶ **Қорғағыш электр құралына қатты орнатылып максималды қауіпсіздік үшін орналасуы қажет, осылай дөңгелектің минималды көлемі пайдаланушыға қарап тұрады.** Қорғағыш пайдаланушыны сынған дөңгелек бөлшектерінен, дөңгелекке кездейсоқ тиюден және киімдерді жандыруы мүмкін ұшқындардан қорғайды.
- ▶ **Дөңгелектерді тек ұсынылған пайдалану түрлеріне сай қолдануы керек. Мысал: кесуші дөңгелек шетімен майдаламаңыз.** Кесуші-дөңгелектер материалды шетімен кесуге арналған. Дөңгелектерге-әсер ететін бүйірлік күштер ықпалынан олар сынуы мүмкін.
- ▶ **Таңдалған дөңгелек үшін әрдайым дұрыс өлшемдегі және пішіндегі зақымдалмаған фланецтерді пайдаланыңыз.** Дұрыс-таңдалған ернекектер тегістеу дөңгелегінің тірегі болады және оның-сыну қауіпін алдын-алады. Кесуші дөңгелектердің фланецтері майдалау дөңгелегі фланецтерінен басқа болуы мүмкін.
- ▶ **Үлкенірек электр құралдарының тозған дөңгелектерін пайдаланбаңыз.** Үлкен электр құралдарына арналған дөңгелектер кішірек аспаптың жоғарырақ жылдамдығына арналмаған болып, жарылуы мүмкін.

#### Абразивті кесуге арналған қосымша қауіпсіздік нұсқаулары

- ▶ **Кесуші дөңгелекті "қыспаңыз" немесе оны қатты баспаңыз. Кесікті тереңдетуге әрекет жасамаңыз.**

Дөңгелекке қатты басу жүктемені және дөңгелекті кесікте бұрауға немесе байланыстыруға сезімтал болуын және кері соққының немесе дөңгелек сынуының ықтималдығын арттырады.

- ▶ **Денеңізді айналдырылған дөңгелектің бір сызыққа немесе артына орналастырмаңыз.** Дөңгелек денеңізден ары жылжыса, ықтимал қайтарым айналып тұрған дөңгелек пен электр құралын денеңізге тікелей жылжытуы мүмкін.
- ▶ **Дөңгелек қысылса немесе кез келген себептен кесуді тоқтатса, электр құралын өшіріп, дөңгелек толығымен тоқтағанша электр құралына тиімеңіз.** Дөңгелек істеп тұрғанда кесу дөңгелегін алып қоюға әрекет жасамаңыз, әйтпесе қайтарым пайда болады. Дөңгелек қысылуының себебін жою үшін себебін іздеп дұрыстаңыз.
- ▶ **Құрал дайындамада тұрғанда электр құралын қайта қоспаңыз. Кесуді бастамас бұрын, алдымен дөңгелекті толық айналым санына жеткізіп алыңыз.** Әйтпесе, кескіш диск тұтылып, дайындамадан көтеріліп кетуі немесе кері соққыға әкелуі мүмкін.
- ▶ **Тірек панельдері немесе кез келген тым үлкен дайындама дөңгелек қысылуы мен қайтарымның алдын алу үшін.** Үлкен дайындамалар өз ауырлығынан иілуі мүмкін. Дайындама кесу сызығына жақын және дөңгелектің екі жағынан да тірелуі керек.
- ▶ **Бар қабырғаларда кіші кесікті немесе басқа көрінбейтін аймақтарда орындауда абайлаңыз.** Шығып тұрған дөңгелек газ немесе су құбырларын, электр сымдарды немесе нысандарды кесуі мүмкін, ал бұл қайтарымға алып келуі мүмкін.

#### Ажарлау әрекеттері үшін қауіпсіздік нұсқаулары

- ▶ **Тым үлкен ажарлау диск қағазын пайдаланбаңыз. Ажарлау қағазын таңдау кезінде өндіруші ұсыныстарын орындаңыз.** Ажарлау құралы арналған тым үлкен ажарлау қағазы жыртуу қауіпі пайда болып, бұл қысылуға, дисктің жарылуына немесе қайтарымға алып келуі мүмкін.

#### Сым қылшықпен тазалау әрекеттері үшін қауіпсіздік нұсқаулары

- ▶ **Қылшықтың қарапайым әрекет етуі кезінде де қылшықтардың шашырайтындығын ескеріңіз. Қылшықты қатты басып, сымға күш түсірмеңіз.** Сым қылшықтары жұқа киімге және/немесе теріге кіріп кетуі мүмкін.
- ▶ **Егер сым қылшықпен тазалау үшін қорғағыш ұсынылған болса, қорғағыш сым дөңгелек немесе қылшаққа тимеуі тиіс.** Сым дөңгелек немесе қылшықтың диаметрі жұмыс жүктемесіне немесе центрифугалық күштер себебінен үлкеюі мүмкін.

#### Қосымша қауіпсіздік нұсқаулықтары

**Қорғаныш көзілдірікті кийіңіз.**



- ▶ **Қажетті іздеу құралдарын пайдаланып жасырылған сымдарды табыңыз немесе жауапты жергілікті ұйым өкілдерін шақырыңыз.** Электр сымдарына тию өрт немесе тоқ соғуына алып келуі мүмкін. Газ құбырын зақымдау жарылысқа алып келуі мүмкін. Су құбырын зақымдау материалдық зиянға немесе тоқ соғуына алып келуі мүмкін.
- ▶ **Тегістеу және кесу дискілеріне суығанда тиімеңіз.** Шеңберлер жұмыс кезінде қызғады.
- ▶ **Қуат өшсе, мысалы, желіде қуат жоқ болып қалса немесе ашаны розеткадан суығанда сөндіргіш бекіткішін алыңыз және өшірулі күйіне орнатыңыз.** Бұл арқылы кездейсоқ қосылу болмайды.
- ▶ **Дайындаманы бекітіңіз.** Қысу құралына немесе қысқышқа орнатылған дайындама қолыңызбен салыстырғанда, берік ұсталады.

#### Өнім және қуат сипаттамасы



**Барлық қауіпсіздік нұсқаулықтарын және ескертпелерді оқыңыз.** Техникалық қауіпсіздік нұсқаулықтарын және ескертпелерді сақтамау тоқтың соғуына, өрт және/немесе ауыр жарақаттануларға алып келуі мүмкін.

Пайдалану нұсқаулығының алғы бөлігінің суреттерін ескеріңіз.

#### Тағайындалу бойынша қолдану

Электр құралы суды пайдаланбай металдан және тастан жасалған материалдарды кесуге, сыдырып алуға және щеткамен өңдеуге арналған.

Байланысты абразивтер көмегімен кесу үшін кесуге арналған арнайы қорғағыш қаптаманы пайдалану керек. Тасты кескенде шаңның жеткілікті сорылуын қамтамасыз етіңіз.

Арнайы тегістеу құралдарымен тіркесімде электр құралды егеуқұм қағазымен тегістеу үшін пайдалануға болады.

#### Көрсетілген құрамды бөлшектер

Көрсетілген құрамдастар нөмірленген суреттері бар беттегі электр құралының сипаттамасына сай.

- (1) Шпиндельді бекіту түймесі
- (2) Ажыратқыш
- (3) Қосымша тұтқа (беті оқшауланған)
- (4) Ажарлау шпинделі
- (5) Ажарлауға арналған қорғаныш қаптама (қысқыш бұранда)
- (6) Қорғаныш қаптамаға арналған бекіту бұрандасы

- (7) Тығыздауыш сақинасы бар тірек фланеці  
 (8) Ажарлау дискісі<sup>A)</sup>  
 (9) Қыспа гайка  
 (10) Қыспа гайканың екі тесікті кілті<sup>A)</sup>  
 (11) Тез қысқыш гайка **SDS-clix**<sup>A)</sup>  
 (12) Қатты металды табақты диск<sup>A)</sup>  
 (13) Кесуге арналған қорғаныш қаптама (қысқыш бұранда)<sup>A)</sup>  
 (14) Кескіш диск<sup>A)</sup>  
 (15) Қол қорғанысы<sup>A)</sup>  
 (16) Дистанциялық шайба<sup>A)</sup>  
 (17) Резеңке ажарлау тәрелкесі<sup>A)</sup>  
 (18) Ажарлау дискісі<sup>A)</sup>  
 (19) Домалақ гайка<sup>A)</sup>  
 (20) Тостаған тәрізді қылшақ<sup>A)</sup>  
 (21) Бағыттауыштары бар кесуге арналған қорғаныш қаптама<sup>A)</sup>  
 (22) Алмас кескіш диск<sup>A)</sup>  
 (23) Тұтқа (беті оқшауланған)  
 (24) Дірілді төмендету  
 (25) Ажарлауға арналған қорғаныш қаптама  
 (26) Кодтау жұдырықшасы  
 (27) Қорғаныш қаптаманың қыспа иінірегі  
 (28) Қорғаныш қаптаманың реттеу бұрандасы  
 (29) Кесуге арналған қорғаныш қаптама
- A) Бейнеленген немесе сипатталған жабдықтар стандартты жеткізу көлемімен қамтылмайды. Толық жабдықтарды біздің жабдықтар бағдарламамыздан табасыз.

### Техникалық мәліметтер

Бұрыштық ажарлау машинасы		GWS 22-180 H	GWS 22-230 H	GWS 22-230 JH	GWS 24-180 H
Өнім нөмірі		3 601 H81 1..	3 601 H82 1..	3 601 H82 2..	3 601 H83 1..
Номиналды тұтынылатын қуат	Вт	2200	2200	2200	2400
Өнімділік	Вт	1500	1500	1500	1600
Номиналды айналу жиілігі	мин <sup>-1</sup>	8500	6600	6600	8500
Ажарлағыш дискінің макс. диаметрі	мм	180	230	230	180
Ажарлау шпинделінің ирек оймасы		M 14	M 14	M 14	M 14
Шпindelь ирек оймасының макс. ұзындығы	мм	25	25	25	25
Қайта іске қосылудан қорғаныс		-	-	●	-
Іске қосу тогының шектеулері		-	-	●	-
Айналмалы басты тұтқа		-	-	-	-
Жүріс тежегіші		-	-	-	-
Салмағы ЕРТА-Procedure 01:2014 құжатына сай					
- Дірілді басқыш қосымша тұтқасы бар	кг	5,1	5,1	5,3	5,0
- Стандартты қосымша тұтқасы бар	кг	5,0	5,0	5,2	4,9
Қорғаныс класы		□/II	□/II	□/II	□/II

Бұрыштық ажарлау машинасы		GWS 24-230 H	GWS 24-230 JH	GWS 26-180 H
Өнім нөмірі		3 601 H84 1..	3 601 H84 2..	3 601 H55 1..
Номиналды тұтынылатын қуат	Вт	2400	2400	2600
Өнімділік	Вт	1600	1600	1700
Номиналды айналу жиілігі	мин <sup>-1</sup>	6600	6600	8500
Ажарлағыш дискінің макс. диаметрі	мм	230	230	180
Ажарлау шпинделінің ирек оймасы		M 14	M 14	M 14
Шпindelь ирек оймасының макс. ұзындығы	мм	25	25	25
Қайта іске қосылудан қорғаныс		-	●	-
Іске қосу тогының шектеулері		-	●	-
Айналмалы басты тұтқа		-	-	-
Жүріс тежегіші		-	-	-

Бұрыштық ажарлау машинасы	GWS 24-230 H	GWS 24-230 JH	GWS 26-180 H
---------------------------	--------------	---------------	--------------

Салмағы ЕРТА-Procedure 01:2014 құжатына сай

– Дірілді басқыш қосымша тұтқасы бар	кг	5,2	5,3	6,0
– Стандартты қосымша тұтқасы бар	кг	5,1	5,2	5,9
Қорғаныс класы		□/II	□/II	□/II

Бұрыштық ажарлау машинасы	GWS 26-230 B	GWS 26-230 H	GWS 26-230 H
---------------------------	--------------	--------------	--------------

Өнім нөмірі		<b>3 601 H56 3..</b>	<b>3 601 H56 1..</b>	<b>3 601 H56 L..</b>
Номиналды тұтынылатын қуат	Вт	2600	2600	2600
Өнімділік	Вт	1700	1700	1700
Номиналды айналу жиілігі	мин <sup>-1</sup>	6600	6600	6600
Ажарлағыш дискінің макс. диаметрі	мм	230	230	230
Ажарлау шпинделінің ирек оймасы		M 14	M 14	M 14
Шпиндель ирек оймасының макс. ұзындығы	мм	25	25	25
Қайта іске қосылудан қорғаныс		–	–	–
Іске қосу тоғының шектеулері		–	–	–
Айналмалы басты тұтқа		●	–	–
Жүріс тежегіші		–	–	–

Салмағы ЕРТА-Procedure 01:2014 құжатына сай

– Дірілді басқыш қосымша тұтқасы бар	кг	6,2	6,1	6,1
– Стандартты қосымша тұтқасы бар	кг	6,1	6,0	6,0
Қорғаныс класы		□/II	□/II	□/II

Бұрыштық ажарлау машинасы	GWS 20-230 H	GWS 24-230 JVX
---------------------------	--------------	----------------

Өнім нөмірі		<b>3 601 H50 1..</b>	<b>3 601 H64 5..</b>
Номиналды тұтынылатын қуат	Вт	2000	2400
Өнімділік	Вт	1250	1600
Номиналды айналу жиілігі	мин <sup>-1</sup>	6600	6600
Ажарлағыш дискінің макс. диаметрі	мм	230	230
Ажарлау шпинделінің ирек оймасы		M 14	M 14
Шпиндель ирек оймасының макс. ұзындығы	мм	25	18
Қайта іске қосылудан қорғаныс		–	–
Іске қосу тоғының шектеулері		–	●
Айналмалы басты тұтқа		–	●
Жүріс тежегіші		–	●

Салмағы ЕРТА-Procedure 01:2014 құжатына сай

– Дірілді басқыш қосымша тұтқасы бар	кг	5,2	6,5
– Стандартты қосымша тұтқасы бар	кг	5,1	6,4
Қорғаныс класы		□/II	□/II

Мәліметтер [U] 230 В кесімді кернеуге арналған. Басқа кернеу және елде қабылданған заңдар бұл мәліметтерді өзгертуі мүмкін.

Тек іске қосу тоғының шектеулері жоқ электр құралдары үшін: қосу әдістері қысқа кернеу түсулерін жасайды. Дұрыс емес желіде басқа құрылғылар зақымдануы мүмкін. Желі кедергісі 0,25 Омнан аз болса ешқандай ақаулық күтілмейді.

**Шуыл және дірілдеу туралы ақпарат**

Дыбыс шығару мәндері EN 60745-2-3 бойынша есептелген.

А-мен белгіленген құрылғының шуыл деңгейі әдетте төмендегіге тең: дыбыс күші **93 дБ (А)**; дыбыс қуаты **104 дБ (А)**. Өлшеу дәлсіздігі K = 3 дБ.**Құлақты қорғау құралдарын кийіңіз!**

Жалпы діріл мәндері  $a_h$  (үш бағыттың векторлық қосындысы) және  $K$  дәлсіздігі, **EN 60745-2-3** бойынша есептелген:

Үстіңгі бетті ажарлау (бастапқы ажарлау):

$$a_h = 7,5 \text{ м/с}^2, K = 1,5 \text{ м/с}^2,$$

Ажарлағыш дискімен ажарлау:

$$a_h = 4,5 \text{ м/с}^2, K = 1,5 \text{ м/с}^2.$$

Осы ескертпелерде берілген діріл көлемі нормалық өлшеу әдісі бойынша есептелген болып электр құралдарды бір-бірімен салыстыру үшін пайдаланылуы мүмкін. Ол дірілдеу қуатын шамалап өлшеу үшін де жарамды.

Берілген діріл көлемі электр құралының негізгі жұмыстары үшін берілген. Егер электр құрал басқа жұмыстар үшін басқа алмалы-салмалы аспаптар менен немесе жетімсіз күтумен пайдаланылса дірілдеу көлемдері өзгереді. Бұл жұмыс барысындағы діріл қуатын арттыруы мүмкін.

Дірілдеу қуатын нақты есептеу үшін құрал өшірілген және қосылған болып пайдаланылмаған уақыттарды да ескеру қажет. Бұл дірілдеу қуатын бүкіл жұмыс уақытында қатты төмендетеді.

Пайдаланушыны дірілдеу әсерінен сақтау үшін қосымша қауіпсіздік шараларын қолдану қажет, мысалы: электр құралды және алмалы-салмалы аспаптарды күту, қолдарды ыстық ұстау, жұмыс әдістерін ұйымдастыру.

## Жинау

### Қорғаныш аспапты орнату

- ▶ **Барлық жұмыстардан алдын электр құралының желілік айырын розеткадан шығарыңыз.**

**Нұсқау:** Жұмыс кезінде тегістеу шеңбері бұзылса немесе қорғағыш қаптама/электр құрал құрылғылары бұзылса, электр құралды бірден сервис қызметіне жіберу керек, мекенжайларды «Тұтынушыға қызмет көрсету және пайдалану кеңестері» тарауынан қараңыз.

### Ажарлауға арналған қорғаныш қаптама (GWS 24-230 JVX)

Қыспа иінтіректі (27) ашыңыз. Қорғаныш қаптаманы кодтау жұдырықшасымен (26) шпindelь мойнындағы кодтау ойығына енгізіңіз, сонда қорғаныш қаптаманың қамыты электр құралының фланеціне кіруі тиіс, сонан соң қорғаныш қаптаманы қалаулы позицияға дейін бұраңыз. Қыспа иінтіректі (27) жауып қойыңыз.

- ▶ **Қорғаныш қаптаманы (25) операторға қарай ұшқын бағытталмайтындай етіп орнатыңыз.**

Қорғаныш қаптама құлпының тартылу күшін реттеу бұрандасын (28) босату немесе тарту арқылы өзгертуге болады. Қорғаныш қаптаманың тұрақты бекітілгеніне көз жеткізіп, оны жүйелі түрде тексеріңіз.

**Нұсқау:** қорғаныш қаптамадағы кодтау жұдырықшалары тек электр құралына жарамды жабдықтың орнатылуын қамтамасыз етеді.

### Ажарлауға арналған қорғаныш қаптама (қысқыш бұранда)

(GWS 20-230 H / GWS 22-180 H / GWS 22-230 H/JH / GWS 24-180 H / GWS 24-230 H/JH / GWS 26-180 H / GWS 26-230 B/H)

Қорғайтын қаптаманы (5) шпindelь мойыншасына орнатыңыз. Қорғайтын қаптама (5) күйін жұмыс күнінің талаптарына сай етіп қорғайтын қаптаманы (5) бекіту бұрандасымен (6) бұғаттаңыз.

- ▶ **Қорғағыш қаптаманы (5) оператордың жағына қарай ұшқындардың ұшуы болмайтындай орнатыңыз.**

### Кесуге арналған қорғағыш қаптама

- ▶ **Байланыстырылған абразивтер көмегімен кесу кезінде әрдайым кесуге арналған қорғаныш қаптаманы пайдаланыңыз (13)/(29).**
- ▶ **Тасты кескенде шаңның жеткілікті сорылуын қамтамасыз етіңіз.**

Кесуге арналған қорғаныш қаптама (13)/(29) ажарлауға арналған қорғаныш қаптамамен бірдей орнатылады.

### Бағыттауыштар бар кесуге арналған қорғағыш қаптама

Бағыттауыштары (21) бар кесуге арналған қорғаныш қаптама ажарлауға арналған қорғаныш қаптамамен бірдей орнатылады.

### Қосымша тұтқа

- ▶ **Электр құралыңызды тек қосымша тұтқа менен пайдаланыңыз (3).**

Қосымша тұтқаны (3) редукторлық бастық оң жағында немесе сол жағында бұрап бекітіңіз.

### Дірілді басу (GWS 24-230 JVX)



Кіріктірілген дірілді басу функциясы дірілді азайтады.

- ▶ **Демпфер зақымдалған жағдайда электр құралын пайдаланушы болмаңыз.**

### Қол қорғағышы

- ▶ **Режекелі ажарлау тәрелкесімен (17) немесе тостаған тәрізді қылшық/дискілі қылшық/желпуіш тәрізді тегістеу шеңберімен жұмыстар үшін әрқашан қол қорғағышын (15) кийіңіз.**

Қол қорғағышын (15) қосымша тұтқа (3) көмегімен бекітіңіз.

### Ажарлауыш құралдарын орнату

- ▶ **Барлық жұмыстардан алдын электр құралының желілік айырын розеткадан шығарыңыз.**
- ▶ **Тегістеу және кесу дискілеріне суығанша тимеңіз.** Шеңберлер жұмыс кезінде қызады.

Тегістеу шпindelін (4) және барлық орнатылатын құралдарды тазалаңыз.

Абразивті құралды бұрап алу және бекіту үшін шпindelьді бекіту түймесін (1) басып, шпindelьді бекітіңіз.

- ▶ **Шпindelьді бекіту түймесін тек шпindelь тоқтатылған күйде басыңыз.** Әйтпесе электр құралын зақымдауыңыз мүмкін.

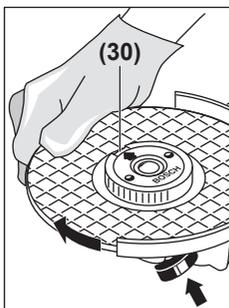
### Тез қысқыш гайка **SDS-clic**

Құралдарды пайдаланусыз ажарлау құралын оңай ауыстыру үшін қысқыш гайканың (9) орнына тез қысқыш гайканы (11) пайдалануға болады.

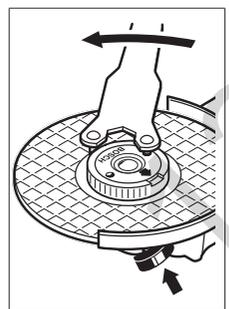
- ▶ **Тез қысқыш сомынды (11) тек ажарлау немесе кесу шеңберімен пайдалану мүмкін.**

**Бұзылмаған мінсіз тез қысқыш гайкасын пайдаланыңыз (11).**

**Бұрап қоюда жылдам қысу сомынының жазылған жағы (11) ажарлау дискісіне көрсетпеуіне көз жеткізіңіз; бағыттама индекстік белгіге (30) көрсетуі тиіс суретін қараңыз.**



Ажарлау шпindelьді (1) бекіту үшін шпindelьді бекіту түймесін басыңыз. Тез қысқыш гайканы бекемдеу үшін ажарлау дискісін күш салып сағат тілінің бағытымен бұраңыз.



Дұрыс бекітілген, зақымдалмаған тез қысқыш гайканы сақинаны сағат тілінің бағытына қарсы бұрау арқылы шығаруға болады. **Ешқашан қатты бекемделген тез қысқыш гайканы тістеуікпен бұрап алмаңыз, екі бүйірлік тесігі бар гайка кілтің пайдаланыңыз.** Гайка кілтің суретте

көрсетілгендей екі бүйірлік тесігімен орнатыңыз.

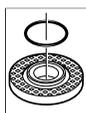
### Тегістеу шеңбері/кесу шеңбері

Ажарлағыш құралдардың өлшемдерін ескеріңіз. Саңылау диаметрі тірек фланеціне сәйкес болуы керек. Адаптерлерді немесе жалғастырғыш тетіктерді пайдаланбаңыз.

Алмасты кескіш дискілерді пайдаланғанда, алмасты кескіш дискідегі айналу бағытының көрсеткісі электр құралындағы айналу бағытына сәйкес болуын қадағалаңыз (редуктор бастиегіндегі көрсеткіні қараңыз). Орнату реттілігі графикалық бетте көрсетілген.

Тегістергіш немесе кескіш дискіні бекіту үшін, қысқыш гайканы (9) бұрап, оны екі тесігі бар бұрағыш кілтпен қысыңыз. (қараңыз „Тез қысқыш гайка **SDS-clic**“, Бет 74) бөлімін қараңыз.

- ▶ **Тегістеу құралын орнатқаннан кейін қосу алдында орнатудың дұрыстығын және құралдың еркін айналатынын тексеріңіз. Тегістеу құралы қорғағыш қаптамаға және басқа бөлшектерге үйкелмей айналып жатқанына көз жеткізіңіз.**



Тірек фланецінде (7), ортаға келтіру буылтығының айналасында пластие бөлшек (тығыздауыш сақина) орнатылған.

**Тығыздауыш сақина жоқ немесе зақымдалған болса, тірек фланецін (7)**

ары қарай пайдаланбай тұрып, міндетті түрде ауыстыру керек.

### Желпуіш тәрізді тегістеу шеңбері

- ▶ **Желпуіш тәрізді тегістеу шеңберімен жұмыстар үшін әрқашан қол қорғағышын (15) кийіңіз.**

### Резецке тегістеу тәрелкесі

- ▶ **Резецке тегістеу тәрелкесімен (17) жұмыстар үшін әрқашан қол қорғағышын (15) кийіңіз.**

Орнату реті суреттер бар бетте көрсетілген.

Резецке ажарлау тәрелкесін (17) орнатудан бұрын 2 дистанциялық шайбаны (16) ажарлау шпindelьіне (4) орнатыңыз.

(GWS 20-230 H / GWS 22-180 H / GWS 22-230 H/JH / GWS 24-180 H / GWS 24-230 H/JH / GWS 26-180 H / GWS 26-230 B/H).

Домалақ гайканы (19) орнатыңыз және екі тесігі бар кілтпен бекемдеңіз.

**Нұсқау:** домалақ гайканы (19) босату кезінде көбірек күш қолдану керек (GWS 24-230 JVX).

### Тостаған тәрізді қылшық/дискілік қылшық

- ▶ **Тостаған тәрізді қылшықпен жұмыстар үшін әрқашан қол қорғағышын (15) кийіңіз.**

Орнату реті суреттер бар бетте көрсетілген.

Тостаған тәрізді қылшық/дискілік қылшықты шпindelьге шпindelь фланеці шпindelь ірек оймасына тығыз тақалып тұратындай бұрап бекіту керек. Айыр тәрізді кілтпен тостаған тәрізді/дискілік қылшықты бекемдеңіз.

**Нұсқау:** ажарлау құралын босату кезінде көбірек күш қолдану керек (GWS 24-230 JVX).

### Жарамды тегістеу құралы

Осы нұсқаулықта жоғарыда атап өтілген барлық тегістеу құралдарын пайдалануға болады.

Пайдаланылатын тегістеу құралдарының рұқсат етілген айналымдар саны [мин<sup>-1</sup>] немесе айналу жылдамдығы [м/с] төменде берілген кестедегі мәндерден төмен болмауы керек.

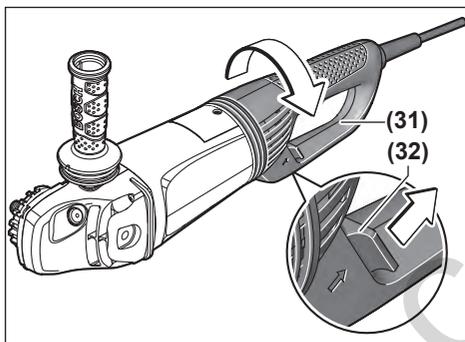
Сондықтан тегістеу құралының жапсырмасында көрсетілген рұқсат етілген айналымдар санын **немесе айналу жылдамдығын** сақтаңыз.

	макс. [мм]	[мм]		
	D	b	d	[мин <sup>-1</sup> ] [м/с]
	180	8	22,2	8500 80
	230	8	22,2	6600 80
	180	-	-	8500 80
	230	-	-	6600 80
	100	30	M 14	8500 45

### Басты тұтқаны бұрау

(GWS 24-230 JVX / GWS 26-230 B)

- Барлық жұмыстардан алдын электр құралының желілік айырын розеткадан шығарыңыз.

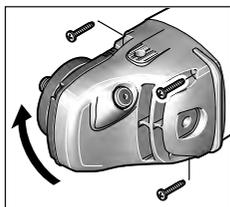


Басты тұтқаны (31) қозғалтқыш корпусына 90° шамасына солға немесе оңға бұрауға болады. Осылайша ажыратқышты жұмысқа ыңғайлы күйге орнатуға болады, мысалы, кесу жұмыстары үшін қорғаныш қаптамамен және бағыттауыштармен (21) немесе солақайлар үшін. Тұтқа ысырмасын (32) көрсеткі бағытымен тартып, бір уақытта басты тұтқаны (31) қажетті күйге тірелгенше бұраңыз.

### Редукторлық басты бұру

(GWS 20-230 H / GWS 22-180 H /  
GWS 22-230 H/JH / GWS 24-180 H /  
GWS 24-230 H/JH / GWS 26-180 H /  
GWS 26-230 B/H)

- Барлық жұмыстардан алдын электр құралының желілік айырын розеткадан шығарыңыз.



Редукторлық бастиекті 90° қадаммен бұруға болады. Осылайша ажыратқышты жұмысқа ыңғайлы күйге орнатуға болады, мысалы, сору жұмыстары үшін қорғаныш қаптамамен және бағыттауыштармен (21) немесе солақайлар үшін.

4 бұранданы толығымен бұрап босатыңыз. Редукторлық бастиекті **корпустан шығармай** жаңа күйге жайлап бұраңыз. 4 бұранданы берік бекітіңіз.

### Шаңды және жоңқаларды сору

Қорғасын бояу, кейбір ағаш сорттары, минералдар және металлдар бар кейбір материалдардың шаңы денсаулыққа зиянды болуы мүмкін. Шаңға тию және шаңды жұту пайдаланушыда немесе жанындағы адамдарда аллергиялық реакцияларды және/немесе тыныс жолдарының ауруларын тудыруы мүмкін. Кейбір шаң түрлері, әсіресе емен және шамшат ағашының шаңы, әсіресе, ағашты өңдеу қалдықтарымен (хромат, ағашты қорғау заты) бірге канцерогендер болып есептеледі. Асбестік материал тек қана мамандар арқылы өңделуі мүмкін.

- Мүмкіншілігінше осы материал үшін сәйкес келетін шаңсорғышты пайдаланыңыз.
- Жұмыс орнының жақсы желдетілуіне көз жеткізіңіз.
- P2 сүзгі сыныпындағы газғағарды пайдалану ұсынылады.

Өңделетін материалдар үшін еліңізде қолданылатын ұйғарымдарды пайдаланыңыз.

- Жұмыс орнында шаңның жиналмауын қадағалаңыз. Шаң оңай тұтануы мүмкін.

### Пайдалану

#### Іске қосу

- Желі қуатына назар аударыңыз! Тоқ көзінің қуаты электр құралдың зауыттық тақтайшасындағы мәліметтеріне сай болуы қажет. 230 В белгісімен белгіленген электр құралдармен 220 В жұмыс істеуге болады.

Электр құралы қуат қоры жеткіліксіз немесе іске қосу тоғын күшейтетін сәйкес кернеу реттегішімен жабдықталмаған электр генераторларынан қуат алса, қосу кезінде қуат төмендеуі немесе электр құралы әдеттен тыс әрекет етуі мүмкін.

Генератордың жарамдылығын, әсіресе, желі үшін жарамдылығын тексеріңіз.

#### Қосу/өшіру

Электр құралды **қосу үшін** сөндіргішті (2) алға жылжытыңыз, содан кейін басыңыз.

Басылған сөндіргішті (2) **бекіту үшін** сөндіргішті (2) одан әрі алға жылжытыңыз.

Электр құралды **өшіру үшін** сөндіргішті (2) жіберіңіз немесе бекітілсе, сөндіргішті (2) қысқа уақыт бойы басыңыз және жіберіңіз.

#### Бекітілмейтін сөндіргіш (елге байланысты):

Электр құралды **қосу үшін** сөндіргішті (2) алға жылжытыңыз, содан кейін басыңыз.

Электр құралды **өшіру үшін** қосқышты/өшіргішті (2) жіберіңіз.

- ▶ **Пайдаланудан алдын ажарлау құралдарын қайта тексеріңіз.** Ажарлау құралы берік орнатылып, еш кедергісіз айналуы қажет. 1 минут ішінде сынау жұмысын жүктемесіз орындаңыз. Ақауы бар, домалақ емес және дірілдейтін ажарлау құралдарын пайдаланбаңыз. Бұзылған ажарлау құралдары жарылып, зақымдарға алып келуі мүмкін.

#### Жүріс тежегіші (GWS 24-230 JVX)



Электр құралында Bosch Brake System, патенттелген электрмеханикалық жүріс тежегіші бар. Ток жеткізілуі өшкенде немесе үзілгенде ажарлау құралы бірнеше секунд ішінде тоқтатылады. Бұл жүріс тежегіші жоқ

бұрышты ажарлау машинасымен салыстырғанда аяқтау уақыты шам. 70%-ға қысқарып, электр құралын ертерек қоюға мүмкіндік береді.

**Нұсқау:** тежегіш әсері сезімді түрде төмендесе, бұл жүріс тежегішінің бұзылғанын білдіреді. Электр құралын бірден сервистік қызметке жіберу керек, мекенжайларды «Тұтынушыға қызмет көрсету және пайдалану кеңестері» тарауынан қараңыз.

#### Қайта қозғалу сақтағышы (GWS 22-230 JH / GWS 24-230 JH)

Қайта іске қосылудан қорғаныс қуат берілуі үзілгеннен кейін электр құралының бақылаусыз іске қосылуына жол бермейді.

**Қайта іске қосу** үшін ажыратқышты (2) өшірулі күйіне келтіріп, электр құралын қайта қосыңыз.

#### Іске қосу тогының шектеулері (GWS 22-230 JH / GWS 24-230 JH/JVX)

Іске қосу тогын шектеудің электрондық жүйесі электр құралды қосу кезіндегі қуатты шектейді және 16 А розеткадан жұмыс істеуге мүмкіндік береді.

**Нұсқау:** электр құралы қосудан кейін бірден толық айналымдар санымен айналса, онда бұл іске қосу тогы шектеудің және қайтадан қосылудан қорғаудың істен шыққанын білдіреді. Электр құралын бірден сервистік қызметке жіберу керек, мекенжайларды «Тұтынушыға қызмет көрсету және пайдалану кеңестері» тарауынан қараңыз.

#### Пайдалану нұсқаулары

- ▶ Барлық жұмыстардан алдын электр құралының желілік айырын розеткадан шығарыңыз.
- ▶ Тірек қабырғаларда ойықтар жасағанда абайлаңыз, «Статика туралы нұсқаулар» тарауын қараңыз.
- ▶ Салмағы тұрақты қалыпты қамтамасыз етпесе, дайындаманы бекітіңіз.
- ▶ Электр құралға тоқтағанша жүктеме түсірмеңіз.
- ▶ Жоғары жүктемеден кейін электр құралдың біраз салқындауына, бірнеше минут бос жүрісте жұмыс істеуіне мүмкіндік беріңіз.

- ▶ **Тегістеу және кесу дискілеріне суығанша тимеңіз.** Шеңберлер жұмыс кезінде қызғады.
- ▶ **Электр құралды абразивті-кесу станинада пайдаланбаңыз.**

**Нұсқау:** Пайдаланбағанда желі айырын розеткадан шығарыңыз. Электр құралында желі айыры қосулы болып желіде кернеу барысында өшірулі болғанда да аздап тоқ тұтынады.

#### Сыдырып тегістеу

- ▶ **Ешқашан кесу шеңберлерін сыдырып тегістеу үшін пайдаланбаңыз.**

30° - 40° шеңбер бұрышымен сыдырып тегістеу кезінде ең жақсы нәтижелер алуға болады. Электр құралды жайлап басып, алға және артқа жылжытыңыз. Бұл кезде дайындама тым қатты қызбайды, түсін өзгертпейді және арналар пайда болмайды.

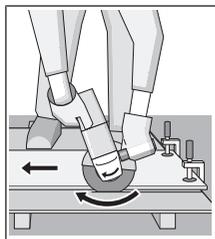
#### Желпуіш тәрізді ажарлау шеңбері

Желпуіш тәрізді ажарлау шеңберімен (құрал) бірге дөңес беттерді және профильдерді де өңдеуге болады. Желпуіш тәрізді ажарлау шеңберлері әдеттегі ажарлау шеңберлерімен салыстырғанда ұзағырақ қызмет етеді, азырақ шу шығарады және ажарлау температурасы азырақ болады.

#### Металды кесу

**Байланыстырылған абразивтер көмегімен кесу кезінде әрдайым кесуге арналған қорғаныш қаптаманы пайдаланыңыз (13)/(29).**

Кескіш дискімен кескенде біркелкі, материал үшін дұрыс беріліспен жұмыс істеңіз. Кескіш дискіге қысым түсірмеңіз, оны еңкейтпеңіз және шайқамаңыз. Бүйірлік қысыммен айналғанда кескіш дискіні тоқтатпаңыз.

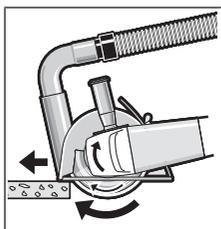


Электр құралын әрқашан айналу бағытына қарсы жүргізу керек. Өйтпесе **бақылаусыз** кесілген жерден шығу қаупі туындайды. Профильдерді немесе төрт қырлы құбырларды кесу кезінде кесуді ең аз көлденең қимада бастаңыз.

#### Тасты кесу

- ▶ **Тасты кескенде шаңның жеткілікті сорылуын қамтамасыз етіңіз.**
- ▶ **Шаңтұтқыш маскасын киіңіз.**
- ▶ **Бұл электр құралды тек құрғақ кесу/құрғақ тегістеу үшін пайдалануға болады.**

Тасты кесу үшін алмас кесу дискілерін пайдаланған жөн. Бағыттауыштар бар қорғағыш қаптаманы (21) пайдалану үшін тас шаңын сорып алу үшін шаңсорғышты пайдалану керек. Bosch осындай шаңсорғыштарды ұсынады.



Электр құралды өшіріңіз және бағыттауыштардың алдыңғы бөлігімен бөлшекке орнатыңыз. Электр құралды біркелкі, материалға сәйкес берумен жылжытыңыз.

Құрамында қиыршық тас өте көп аса қатты материалдарды, мысалы,

бетонды, өңдеу кезінде алмас шеңбер қызып кетуі және зақымдалуы мүмкін. Алмас шеңбердегі ұшқындар осыны білдіреді.

Бұл жағдайда жұмысты тоқтатыңыз және алмас шеңберді бос жүрісте, ең жоғары жылдамдықта қысқа уақыт бойы салқындатыңыз.

Өнімділіктің айтарлықтай төмендеуі және ұшқындар алмас кесу шеңбері өтпес болып қалғанын білдіреді. Оны абразивті материалда, мысалы, силикат кірпіште, қысқаша кесу арқылы өткірлеуге болады.

### Статика туралы нұсқаулар

Тірек қабырғалардағы ойықтарға DIN 1053 нормасының 1 тармағы немесе сәйкес елдегі ереже қолданылады. Бұл нұсқауларды міндетті түрде орындау керек. Жұмысты бастамас бұрын статика жөніндегі маманмен, сәулетшімен немесе прорабпен кеңесіңіз.

## Техникалық күтім және қызмет

### Қызмет көрсету және тазалау

- ▶ **Барлық жұмыстардан алдын электр құралының желілік айырын розеткадан шығарыңыз.**
- ▶ **Жақсы әрі сенімді жұмыс істеу үшін электр құралы мен желдеткіш тесікті таза ұстаңыз.**
- ▶ **Төтенше жұмыс жағдайында мүмкін болғанша шаңсорғышты пайдаланыңыз. Желдеткіш тесікті жос үрлеп, тазартып артық тоқтан сақтайтын қосқышты (PRCD) қосыңыз.** Металды өңдеуде тоқ өткізетін шаң электр құралының ішінде жиналуы мүмкін. Электр құралының оқшаулағышы зақымдалуы мүмкін.

Жабдықтарды мұқият сақтаңыз және күтіңіз.

Егер байланыс сымын алмастыру қажет болса, қауіпсіздіктің төмендеуіне жол бермеу үшін осы жұмыс тек **Bosch** компаниясы немесе **Bosch** электр құралдары бойынша өкілетті қызмет көрсету орталықтарында жүргізілуі тиіс.

Өнімдерді олардың сақтығын қамтамасыз ететін, өнімдерге атмосфералық жауын-шашынның тиюіне және асқын температура көздерінің (температураның шұғыл өзгерісінің), соның ішінде күн сәулелерінің әсер етуіне жол бермейтін дүкендерде, бөлімдерде (секцияларда), павильондар мен киоскілерде сатуға болады.

Сатушы (өндіруші) сатып алушыға өнімдер туралы қажетті және шынайы ақпаратты беріп, өнімдерді тиісінше таңдау мүмкіндігін қамтамасыз етуге міндетті.

Өнімдер туралы ақпарат міндетті түрде тізімі Ресей Федерациясының заңнамасымен белгіленген мәліметтерді қамтуы тиіс.

Егер тұтынушы сатып алатын өнімдер әлдеқашан пайдаланылған немесе өнімдерде ақаулық (ақаулықтар) жойылған болса, тұтынушыға бұл туралы ақпарат берілуі тиіс.

Өнімдерді сату процесінің аясында төмендегі қауіпсіздік талаптары орындалуы тиіс:

- Сатушы сатып алушыға ұйымының фирмалық атауы, орналасқан жері (мекенжайы) және жұмыс режимі туралы мәліметтер беруге міндетті;
- Сауда бөлмелеріндегі өнімдердің сынамалары сатып алушыға бұйымдардағы жазбалармен танысуға мүмкіндік беруі және визуалды тексерістен басқа бұйымдардың іске қосылуына әкелетін, сатып алушылар өз бетінше орындайтын ешқандай әрекеттерге жол бермеуі тиіс;
- Сатушы осы бұйымдардың белгіленген талаптарға сәйкестігінің растамасы, сертификаттардың немесе сәйкестік жөніндегі мәлімдемелердің бар болуы туралы ақпаратты сатып алушыға беруге міндетті;
- Идентификациялық сипаттары жоқ (жоғалған), жарамдылық мерзімі өтіп кеткен, бұзылу белгілері бар және пайдалану бойынша нұсқаулығы (кітапшасы), міндетті сәйкестік сертификаты немесе сәйкестік белгісі жоқ өнімдерді сатуға тыйым салынады.

### Тұтынушыға қызмет көрсету және пайдалану кеңестері

Қызмет көрсету орталығы өнімді жөндеу және оған техникалық қызмет көрсету, сондай-ақ қосалқы бөлшектер туралы сұрақтарға жауап береді. Құрамдас бөлшектер бойынша кескін мен қосалқы бөлшектер туралы мәліметтер төмендегі мекенжай бойынша қолжетімді: [www.bosch-pt.com](http://www.bosch-pt.com)

Bosch қызметтік кеңес беру тобы біздің өнімдер және олардың керек-жарақтары туралы сұрақтарыңызға жауап береді.

Сұрақтар қою және қосалқы бөлшектерге тапсырыс беру кезінде міндетті түрде өнімнің фирмалық тақтайшасындағы 10 таңбалы өнім нөмірін беріңіз.

Өндіруші талаптары мен нормаларының сақталуымен электр құралын жөндеу және кепілді қызмет көрсету барлық мемлекеттер аумағында тек “Роберт Бош” фирмалық немесе авторизацияланған қызмет көрсету орталықтарында орындалады. ЕСКЕРТУ! Заңсыз жолмен әкелінген өнімдерді пайдалану қауіпті, денсаулығыңызға зиян келтіруі мүмкін. Өнімдерді заңсыз жасау және тарату әкімшілік және қылмыстық тәртіп бойынша Заңмен қудаланады.

### Қазақстан

Тұтынушыларға кеңес беру және шағымдарды қабылдау орталығы:  
“Роберт Бош” (Robert Bosch) ЖШС  
Алматы қ.,  
Қазақстан Республикасы

050012  
 Муратбаев к., 180 үй  
 “Гермес” БО, 7 қабат  
 Тел.: +7 (727) 331 31 00  
 Факс: +7 (727) 233 07 87  
 E-Mail: ptka@bosch.com

Сервистік қызмет көрсету орталықтары мен қабылдау пунктерінің мекен-жайы туралы толық және өзекті ақпаратты Сіз: [www.bosch-professional.kz](http://www.bosch-professional.kz) ресми сайттан ала аласыз

Электр құралы кепілді пайдалану мерзімінің ішінде өндірушінің кесірінен істен шыққан жағдайда, өнім иесі төмендегі шарттар орындалғанда кепілдік бойынша тегін жөндеуге құқылы болады:

- механикалық зақымдардың жоқтығы;
- пайдалану бойынша нұсқаулық талаптарының бұзылу белгілерінің жоқтығы;
- пайдалану бойынша нұсқаулықта сатушының сату туралы белгісінің және сатып алушы қолтаңбасының бар болуы;
- электр құралы сериялық нөмірінің және кепілдік талонындағы сериялық нөмірдің сәйкестігі;
- біліксіз жөндеу белгілерінің жоқтығы.

Кепілдік төмендегі жағдайларда қолданылмайды:

- форс-мажор жағдайларына байланысты кез келген сынықтар;
- барлық электр құралдарындағыдай электр құралының қалыпты тозуы.

Жалғағыш контактілер, сымдар, қылшақтар және т.б. сияқты құрал бөліктерінің қызмет ету мерзімін қысқартатын қалыпты тозу нәтижесінде қажеттілігі туындаған жөндеу кепілдік аясына кірмейді:

- табиғи тозу (ресурстың толық пайдаланылуы);
- қате орнату, рұқсатсыз модификациялау, қате қолдану, қызмет көрсету немесе сақтау ережелерін бұзу нәтижесінде істен шыққан жабдық пен оның бөліктері;
- электр құралына артық жүктеме түскеннен орын алған ақаулар. (Құралға артық жүктеме түсудің шартсыз белгілеріне мыналар жатады: құбылу түсінің пайда болуы немесе электр құралы бөліктері мен түйіндерінің деформациясы немесе қорытылуы, жоғары температура әсерінен электр қозғалтқышындағы сымдар оқшаулағышының қараюы немесе көмірленуі.)

### Кәдеге жарату

Электр құралдар, жабдықтар және бумаларын айналаны қорғайтын кәдеге жаратуға апару қажет.



Электр құралдарды үй қоқысына тастамаңыз!

### Тек қана ЕО елдері үшін:

Электр және электрондық ескі құралдар бойынша Еуропа 2012/19/EU ережесі және ұлттық заңдарға сәйкес

пайдалануға жарамсыз электр құралдары бөлек жиналып, кәдеге жаратылуы қажет.

## عربي

## إرشادات الأمان

## تحذيرات أمان عامة للعدد الكهربائية

## تحذير اقرأ جميع تحذيرات الأمان والتعليمات. عدم مراعاة

تحذيرات الأمان وعدم اتباع التعليمات قد يؤدي إلى الصدمات الكهربائية و/أو نشوب حرائق و/أو الإصابة بجروح خطيرة.

## احتفظ بجميع تحذيرات الأمان والتعليمات للرجوع إليها فيما بعد.

يقصد بمصطلح «العدد الكهربائية» المستخدم في تحذيرات الأمان، العدد الكهربائية الموصلة بالشبكة الكهربائية (بواسطة كابل الشبكة الكهربائية) وأيضا العدد الكهربائية المشغلة بمركم (دون كابل الشبكة الكهربائية).

## الأمان بمكان العمل

احرص على أن يكون مكان العمل نظيفا ومضاء بشكل جيد. الفوضى في مكان العمل ونطاقات العمل غير المضاءة قد تؤدي إلى وقوع الحوادث.

لا تشغل العدد الكهربائية في أجواء معرضة لخطر الانفجار، مثل الأماكن التي تتوفر فيها السوائل أو الغازات أو الأبخرة القابلة للاشتعال. العدد الكهربائية تولد شرراً قد يتسبب في إشعال الأبخرة والأبخرة.

احرص على بقاء الأطفال وغيرهم من الأشخاص بعيدا عند تشغيل العدد الكهربائية. تشتت الانتباه قد يتسبب في فقدان السيطرة على الجهاز.

## الأمان الكهربائي

يجب أن تكون قوابس العدد الكهربائية متلائمة مع المقابس. لا يجوز تعديل القابس بأي صورة من الصور. لا تستعمل القوابس المهيأة مع العدد الكهربائية المؤرضة (ذات طرف أرضي). تقلل القوابس التي لم يتم تعديلها والمقابس الملائمة من خطر الصدمات الكهربائية.

تجنب ملامسة جسمك للأسطح المؤرضة كالأنابيب والمبردات والمواقد أو التلجالات. يزداد خطر الصدمات الكهربائية عندما يكون جسمك مؤرض أو موصل بالأرضي.

أبعد العدد الكهربائية عن الأمطار أو الرطوبة. يزداد خطر الصدمات الكهربائية إن تسرب الماء إلى داخل العدد الكهربائية.

لا تسئ استعمال الكابل. لا تستخدم الكابل في حمل العدد الكهربائية أو سحبها أو سحب القابس من المقبس. احرص على إبعاد الكابل عن الحرارة والزيت والحواف الحادة أو الأجزاء المتحركة. تزيد الكابلات التالفة أو المتشابكة من خطر الصدمات الكهربائية.

عند استخدام العدد الكهربائية خارج المنزل اقتصر على استخدام كابلات التمديد الصالحة للاستعمال في الأماكن المكشوفة. يقلل

استعمال كابل تمديد مخصص للاستعمال في الأماكن المكشوفة من خطر الصدمات الكهربائية.

إن لم يكن بالإمكان تجنب تشغيل العدد الكهربائية في الأجواء الرطبة، فاستخدم مفتاح للوقاية من التيار المتخلف. إن استخدام مفتاح للوقاية من التيار المتخلف يقلل خطر الصدمات الكهربائية.

## أمان الأشخاص

كن يقظا وانتبه إلى ما تفعله واستخدم العدد الكهربائية بتعقل. لا تستخدم عدة كهربائية عندما تكون متعبا أو عندما تكون تحت تأثير المخدرات أو الكحول أو الأدوية. عدم الانتباه للحظة واحدة عند استخدام العدد الكهربائية قد يؤدي إلى إصابات خطيرة.

قم بارتداء تجهيزات الحماية الشخصية. وارتد دائما نظارات واقية. إن ارتداء تجهيزات الحماية الشخصية، كقناع الوقاية من الغبار وأحذية الأمان الواقية من الانزلاق والحدوث أو واقية الأذنين، حسب ظروف استعمال العدد الكهربائية، يقلل من خطر الإصابة بجروح.

تجنب التشغيل بشكل غير مقصود. تأكد من كون العدد الكهربائية مطفاة قبل توصيلها بالتيار الكهربائي و/أو بالمركم، وقبل رفعها أو حملها. إن كنت تضع إصبعك على المفتاح أثناء حمل العدد الكهربائية أو إن وصلت الجهاز بالشبكة الكهربائية بينما المفتاح على وضع التشغيل، فقد يؤدي هذا إلى وقوع الحوادث.

انزع أي أداة ضبط أو مفتاح ربط قبل تشغيل العدد الكهربائية. قد يؤدي ترك أداة أو مفتاح في جزء دوار من الجهاز إلى الإصابة بجروح.

تجنب أوضاع الجسم غير الطبيعية. قف بأمان وحافظ على توازنك دائما. سيسمح لك ذلك بالتمكك في الجهاز بشكل أفضل في المواقف غير المتوقعة.

قم بارتداء ثياب مناسبة. لا ترتد الثياب الفضفاضة أو الحللي المدلية. حافظ على إبقاء الشعر والثياب والقفازات على بعد عن أجزاء الجهاز المتحركة. قد تتشابك الثياب الفضفاضة والحلى والشعر الطويل بالأجزاء المتحركة.

في حالة التزود بتجهيزات شفط وتجميع الغبار، فتأكد من أنها موصلة ومستخدمة بشكل سليم. قد يقلل استخدام تجهيزات شفط الغبار من المخاطر الناتجة عن الغبار.

## استخدام العدد الكهربائية والعناية بها

لا تفرط في تحميل الجهاز. استخدم لتنفيذ أشغالك العدد الكهربائية المخصصة لذلك. استخدم العدد الكهربائية الصحيحة سنجز العمل بصورة أفضل وأكثر أمانا بالمعدل الذي صممت من أجله.

لا تستخدم العدد الكهربائية إن كان مفتاح تشغيلها معطل. العدد الكهربائية التي لم يعد من الممكن التحكم بها عن طريق مفتاح التشغيل والإطفاء تعتبر خطيرة ويجب أن يتم إصلاحها.

افصل القابس من المقبس و/أو انزع المركم من العدد الكهربائية قبل إجراء أي أعمال الضبط على الجهاز وقبل استبدال التوابع أو قبل تخزين العدد الكهربائية. تقلل هذه

لعدتك الكهربائية. فالملحقات ذات المقاسات غير الصحيحة لا يمكن حمايتها أو التحكم فيها على نحو مناسب.

- ◀ يجب أن تناسب القاعدة الملولبة الخاصة بالملحقات لولب محور دوران المحلقة.
- ◀ بالنسبة للملحقات التي يتم تركيبها بواسطة فلانشات يجب أن يناسب التجويف الأوسط للملحقة قطر الفلانشة. الملحقات التي لا تناسب أجزاء تركيب العدة الكهربائية ستعرض لفقدان الاتزان والاهتزاز بشكل زائد وقد تتسبب في فقدان التحكم.
- ◀ لا تستخدم ملحق به ضرر. قبل كل استخدام قم بفحص الملحق مثل قرص التخليخ من حيث وجود قطع مكسورة أو تشققات، ولوح التدعيم من حيث وجود تشققات أو اهتزاز أو تآكل شديد والفرشاة السلكية من حيث وجود أسلاك سائبة أو مكسورة. في حالة تعرض العدة الكهربائية أو الملحق للسقوط افحصهما من حيث وجود أضرار، وقم بتركيب ملحق سليم. بعد فحص الملحق وتركيبه ابتعد أنت ومن حولك عن سطح الملحق الدوار، وقم بتشغيل العدة الكهربائية على أقصى سرعة دون حمل لمدة دقيقة واحدة. ستفصل الملحقات التي يوجد بها أضرار أثناء وقت الاختبار هذا.

- ◀ احرص على ارتداء تجهيزات الحماية الشخصية. تبعا لطبيعة الاستخدام قم بارتداء واقية وجه أو واقية للعينين أو نظارة واقية. وعند الحاجة قم بارتداء قناع واق من الغبار وواقيات للأذن وقفازات وسترة واقية قادرة على صد بقايا الكشط الصغيرة وشظايا قطعة الشغل. يجب أن تكون واقية العينين قادرة على صد الشظايا المتطايرة الناتجة عن الأعمال المختلفة. يجب أن يكون قناع الغبار أو الكمامة قادرين على حجز الجزيئات الصغيرة الناتجة عن عملك. التعرض إلى الضوضاء العالية لفترات طويلة قد يتسبب في فقدان القدرة على السمع.
- ◀ أبعد الموجودين حولك بمسافة أمان كافية عن مكان العمل. لا بد أن يرتدي أي شخص يدخل مكان العمل تجهيزات الحماية الشخصية. قد تتطاير شظايا من قطعة الشغل أو الملحق المنكسر بعيدا خارج النطاق القريب من مكان العمل لتسبب إصابات.

- ◀ أمسك العدة الكهربائية من أسطح المسك المعزولة فقط، عند القيام بعمل قد يترتب عليه ملامسة ملحق القطع لأسلاك كهربائية غير ظاهرة أو لسلك الكهرباء الخاص بالعدة نفسها. ملامسة ملحق القطع لسلك «مكهرب» قد يتسبب في مرور التيار في الأجزاء المعدنية من العدة وجعلها «مكهربة» مما قد يصيب المشغل بصدمة كهربائية.
- ◀ ضع السلك بعيدا عن الملحق الدوار. في حالة فقدان السيطرة قد يتعرض السلك للانقطاع أو التمزق، وقد تنجذب يدك أو ذراعك إلى الملحق الدوار.
- ◀ لا تضع العدة الكهربائية على الأرض قبل أن يتوقف الملحق تماما. فقد يلامس الملحق

الإجراءات وقائية من خطر تشغيل العدة الكهربائية بشكل غير مقصود.

- ◀ احتفظ بالعدد الكهربائية التي لا يتم استخدامها بعيدا عن متناول الأطفال. لا تسمح باستخدام العدة الكهربائية لمن لا خبرة له بها أو لمن لم يقرأ تلك التعليمات. العدد الكهربائي خطيرة إن تم استخدامها من قبل أشخاص دون خبرة.
- ◀ احرص على صيانة العدد الكهربائية. تأكد أن أجزاء الجهاز المتحركة مركبة بشكل سليم وغير مستعصبة الحركة، وتفحص ما إن كانت هناك أجزاء مكسورة أو في حالة تؤثر على سلامة أداء العدة الكهربائية. ينبغي إصلاح هذه الأجزاء التالفة قبل إعادة التشغيل الجهاز. الكثير من الحوادث مصدرها العدد الكهربائي التي تتم صيانتها بشكل رديء.
- ◀ احرص على إبقاء عدد القطع نظيفة وحادة. إن عدد القطع ذات حواف القطع المادة التي تم صيانتها بعناية تتكلم بشكل أقل ويمكن توجيهها بشكل أيسر.
- ◀ استخدم العدد الكهربائية والتوايح وريش الشغل إلخ. وفقا لهذه التعليمات. تراعى أثناء ذلك ظروف الشغل والعمل المراد تنفيذه. استخدم العدد الكهربائي لغير الأعمال المخصصة لأجلها قد يؤدي إلى حدوث الحالات الخطيرة.

## الخدمة

- ◀ احرص على إصلاح عدتك الكهربائية فقط بواسطة الفنيين المتخصصين وباستعمال قطع الغيار الأصلية فقط. يضمن ذلك المحافظة على أمان الجهاز.

## تعليمات الأمان للجلاخات الزاوية

- ◀ تحذيرات الأمان المشتركة لعمليات الجلاخ أو السفرة أو التنظيف بالفرشاة السلكية أو القطع السحجي
- ◀ هذه العدة الكهربائية مخصصة للاستخدام كمجلفنة أو أداة صقل أو فرشاة سلكية أو أداة قطع. اطلع على كافة تحذيرات الأمان والتعليمات والصور والمواصفات المرفقة بالعدة الكهربائية. عدم اتباع التعليمات الواردة أدناه قد يؤدي إلى حدوث صدمة كهربائية أو نشوب حريق أو الإصابة بجروح خطيرة.
- ◀ لا ينصح باستخدام هذه العدة الكهربائية في أعمال الصقل. قد يتسبب استخدام العدة الكهربائية في أعمال لم تصمم من أجلها في حدوث خطورة وإصابات.
- ◀ لا تستخدم الملحقات التي لم تصممها الجهة الصانعة للعدة أو توصي بها. لا تعني إمكانية تركيب ملحق بالعدة الكهربائية ضمان تشغيله بشكل آمن.
- ◀ يجب أن تتساوى السرعة الاسمية للملحق على الأقل مع السرعة القصوى المدونة على العدة الكهربائية. الملحقات التي تدور بسرعة أعلى من سرعتها الاسمية يمكن أن تنكسر وتطير بعيدا.
- ◀ يجب أن يكون القطر الخارجي للملحقة وسمكها في إطار المقاسات المسموح بها

- ◀ لا تقم بتركيب شفرة نحت على الخشب لمنشار جنزيري أو شفرة منشار مسننة. تتسبب هذه الشفرات في حدوث صدمات ارتدادية متعددة وفي فقدان السيطرة.
- تحذيرات الأمان الخاصة بعمليات التجليخ والقطع السحبي**
- ◀ احرص على استخدام الأقراص الموصى بها لعدتك الكهربائية والواقية المصممة خصيصاً للقرص المختار. الأقراص غير المصممة خصيصاً للعدة الكهربائية لا يمكن حمايتها بشكل ملائم، وتعتبر غير آمنة.
- ◀ سطح الجليخ بالنسبة للأقراص المضغوطة من المركز يجب أن يكون مركباً أسفل سطح شفة الحماية. القرص المركب بشكل غير مناسب والبارز عن سطح شفة الواقية لا يمكن حمايته بشكل ملائم.
- ◀ ينبغي تثبيت الواقية في العدة الكهربائية بشكل جيد، وينبغي أن تتخذ أكثر الأوضاع أماناً، بحيث يكون أقل جزء ممكن من القرص مواجهاً للمشغل. تعمل الواقية على حماية المشغل من شطايا القرص في حالة انكساره، ومن التلامس غير المقصود مع القرص، ومن الشرر الذي قد يتسبب في إشعال الملابس.
- ◀ يجب الاقتصار في استخدام الأقراص على الاستخدامات الموصى بها. على سبيل المثال: لا تقم بعملية الجليخ باستخدام جانب قرص القطع. أقراص القطع الكاشطة مخصصة للجليخ السطحي، وقد تتسبب القوى الجانبية المؤثرة على الأقراص في انكسارها.
- ◀ احرص دائماً على استخدام فلاشات أقراص سليمة ذات مقاس صحيح وشكل مناسب للقرص المختار. تعمل فلاشات الأقراص المناسبة على دعم القرص مما يقلل من إمكانية انكساره. قد تختلف فلاشات أقراص القطع عن فلاشات أقراص الجليخ.
- ◀ لا تستخدم أقراص تالفة مخصصة لعدد كهربائية أخرى. القرص المخصص لعدد كهربائية أكبر غير مناسب للسرعات الأعلى التي تتمتع بها العدد الأصغر، مما قد يعرضه للانكسار في حالة استخدامه.
- تحذيرات الأمان الخاصة بعمليات القطع السحبي**
- ◀ تجنب تعريض قرص القطع «للانحشار» أو الضغط الزائد. لا تحاول زيادة عمق القطع أكثر من اللازم. التمهيل الزائد على القرص يتسبب في زيادة إجهاده وتعرضه للاتواء أو التعثر أثناء القطع، مما يتسبب في حدوث صدمة ارتدادية أو يعرضه للانكسار.
- ◀ لا تجعل جسمك على خط واحد مع القرص الدوار أمامه أو خلفه. عندما يتحرك القرص، عند بدء التشغيل، مبتعداً عن جسمك، فقد تتسبب الصدمة الارتدادية المتمثلة في اندفاع القرص الدوار والعدة الكهربائية باتجاهك مباشرة.
- ◀ في حالة تعرض القرص للإعاقة أو في حالة إيقافك لعملية القطع لأي سبب من الأسباب قم بإيقاف العدة الكهربائية، وحافظ على ثبات العدة الكهربائية إلى أن يتوقف القرص تماماً. لا تحاول أبداً جذب قرص القطع من
- الدوار سطح الأرضية ويجذب العدة الكهربائية فتخرج عن سيطرتك.
- ◀ لا تقم بتشغيل العدة الكهربائية أثناء حملها في نفس اتجاهك. قد يؤدي التلامس غير المقصود مع القرص الدوار إلى انشباكك في ملابسك، مما يؤدي إلى جذب الملحق نحو جسمك.
- ◀ احرص على تنظيف فتحات تهوية العدة الكهربائية بانتظام. ستسحب مروحة الموتور الغبار إلى داخل جسم العدة الكهربائية مما يتسبب في تراكم كبير للمسحوق المعدني الأمر الذي قد يؤدي إلى مخاطر كهربائية.
- ◀ لا تقم بتشغيل العدة الكهربائية بجوار خامات قابلة للاشتعال. فقد يتسبب الشرر في اشتعال هذه المواد.
- ◀ لا تستخدم ملقحات تتطلب سوائل تبريد. فاستخدام الماء أو سوائل التبريد قد يتسبب في التعرض للصق أو الصدمة الكهربائية.
- الصدمة الارتدادية والتحذيرات المتعلقة بها**
- الصدمة الارتدادية هي رد فعل مفاجئ لتعثر أو انكسار قرص دوار أو لوح تدعيم أو فرشاة أو أي ملحق أخرى. التعثر أو الانكسار يتسببان في التوقف المفاجئ للملحق الدوار، مما يتسبب في ارتداد العدة الكهربائية بشكل خارج عن السيطرة في اتجاه معاكس لاتجاه دوران الملحق في نقطة التعثر.
- على سبيل المثال، إذا تعرض قرص تجليخ للانكسار أو الإعاقة في قطعة الشغل فقد تغطس حافة القرص المواجهة لنقطة التعثر في قطعة الشغل مما يتسبب في انكسار القرص أو في الصدمة الارتدادية. وقد يطير القرص في اتجاه المشغل أو بعيداً عنه تبعاً لاتجاه حركة القرص بالنسبة لنقطة التعثر. وقد تتسبب هذه الظروف في انكسار قرص التجليخ.
- تعتبر الصدمة الارتدادية نتيجة للاستخدام الخاطئ للعدة الكهربائية و/أو لطاوة تشغيل غير صحيحة أو لظروف غير ملائمة، ويمكن تجنبها عن طريق أخذ الاحتياطات المناسبة المبينة أدناه.
- ◀ احرص دائماً على إحكام مسك العدة الكهربائية، وعلى وضعية جسم وذراع تتبع لك مقاومة القوى الارتدادية. احرص على استخدام المقبض الإضافي في حالة التجهيز به لمزيد من التحكم في الصدمة الارتدادية أو رد فعل العزم أثناء بدء التشغيل. يمكن للمشغل التحكم في ردود فعل العزم أو القوى الارتدادية في حالة اتفاده الاحتياطات المناسبة.
- ◀ لا تضع يدك أبداً بالقرب من الملحق الدوار. فقد يتعرض الملحق لصدمة ارتدادية ويصطدم بيدك.
- ◀ لا تقف بجسمك في المكان الذي ستتحرك فيه العدة الكهربائية إذا تعرضت لصدمة كهربائية. ستدفع الصدمة الارتدادية العدة في اتجاه معاكس لحركة القرص عند نقطة الإعاقة.
- ◀ توخ الحرس الشديد عن العمل في الأركان وعند الحواف الحادة وما شابه. تجنب تعريض الملحق للارتداد أو الانكسار. تتسبب الأركان والحواف الحادة والارتداد في ميل القرص الدوار للانكسار، وبالتالي يتم فقدان السيطرة عليها أو تحدث الصدمة الارتدادية.

- ◀ فك إقفال مفتاح التشغيل والإطفاء واضبطه على وضع الإطفاء في حالة قطع التيار الكهربائي، مثلاً: عند انقطاع التيار الكهربائي أو سحب القابس من مقبس الشبكة الكهربائية. وبذلك يتم منع إعادة التشغيل دون قصد.
- ◀ احرص على تأمين قطعة الشغل. قطعة الشغل المثبتة بواسطة تجهيزة شد أو بواسطة الملزمة مثبتة بأمان أكبر مما لو تم الإمساك بها بواسطة يدك.

## وصف المنتج والأداء

**اقرأ جميع إرشادات الأمان والتعليمات.** ارتكاب الأخطاء عند تطبيق إرشادات الأمان والتعليمات، قد يؤدي إلى حدوث صدمات كهربائية أو إلى نشوب الحرائق و/أو الإصابة بجروح خطيرة.



يرجى الرجوع إلى الصور الموجودة في الجزء الأول من دليل التشغيل.

## الاستعمال المخصص

العدة الكهربائية مخصصة لقطع الخامات المعدنية وكشطها وصقلها دون استخدام الماء. يجب أن تستخدم غطاء وقاية خاص للقطع عند القطع بواسطة مواد الجلب المرتبطة. احرص على توفير تجهيزة شفط غبار كافية عند قطع الحجر. باستخدام أدوات التجلخ المسموح بها يمكن استخدام العدة الكهربائية للسنفرة بالواح السنفرة الورقية.

## الأجزاء المصورة

يشير ترقيم الأجزاء المصورة إلى رسوم العدة الكهربائية الموجودة في صفحة الرسوم التخطيطية.

- (1) زر تثبيت محور الدوران
- (2) مفتاح التشغيل والإطفاء
- (3) مقبض إضافي (سطح قبض معزول)
- (4) محور دوران الجلاخة
- (5) غطاء الوقاية للجلب (لولب قمط)
- (6) لولب تثبيت غطاء الوقاية
- (7) فلانشة التثبيت مع حلقة منع التسريب
- (8) قرص الجلب<sup>(A)</sup>
- (9) صامولة الشد
- (10) مفتاح ربط ثنائي الرأس لصامولة الشد<sup>(A)</sup>
- (11) صامولة سريعة الشد **SDS-clc**<sup>(A)</sup>
- (12) القرص القدحي للمعدن الصلب<sup>(A)</sup>
- (13) غطاء وقاية خاص بالقطع (لولب زنق)<sup>(A)</sup>
- (14) قرص القطع<sup>(A)</sup>
- (15) واقية اليد<sup>(A)</sup>
- (16) أقراص المباعدة<sup>(A)</sup>
- (17) صحنون التجلخ المطاطية<sup>(A)</sup>
- (18) قرص التجلخ<sup>(A)</sup>

- ◀ قطعة الشغل أثناء دوران القرص وإلا فقد تتعرض لصدمة ارتدادية. ابحث عن السبب وقم بإجراء تصحيحي لإزالة سبب تعرض القرص للإعاقة.
- ◀ لا تواصل تشغيل عملية القطع بينما القرص داخل قطعة الشغل. دع القرص يصل إلى سرعته الكاملة، وأدخله في قطعة الشغل بحرص مرة أخرى. قد يتعرض القرص للإعاقة أو يتحرك لأعلى أو يسبب صدمة ارتدادية في حالة إعادة تشغيل العدة الكهربائية بينما القرص داخل قطعة الشغل.

- ◀ احرص على سند الألواح أو أي قطعة شغل كبيرة لتقليل مخاطر تعثر القرص أو الصدمة الارتدادية. تميل قطع الشغل الكبيرة للهبوط نتيجة لوزنها الكبير. يجب وضع سنادات أسفل قطعة الشغل بالقرب من خط القطع، وبالقرب من حافة قطعة الشغل على جانبي القرص.
- ◀ تصرف بحرص شديد عند القيام بأعمال «قطع غاطس» في الجدران أو النطاقات التي لا يمكنك رؤية ما وراءها بوضوح. فقد يتسبب توغل قرص القطع في قطع مواسير الغاز أو مواسير المياه أو الأسلاك الكهربائية أو أشياء قد تتسبب في حدوث صدمة ارتدادية.

**تحذيرات الأمان الخاصة بأعمال السنفرة**  
 ◀ لا تستخدم ألواح سنفرة قرصية ذات أحجام كبيرة للغاية. اتبع تعليمات الجهة الصانعة عند اختيار ألواح السنفرة. تمثل ألواح السنفرة الأكبر والتي تبرز عن قاعدة السنفرة خطر تعرض للإصابات القطعية، وقد تتسبب في انمشار القرص أو تعرضه للتمزق أو التعرض لصدمة ارتدادية.

## تحذيرات الأمان الخاصة بأعمال الصقل بالفرشات السلكية

- ◀ انتبه إلى تطاير الشعيرات السلكية أثناء الأعمال العادية بالفرشاة. لا تضغط بشكل زائد على الأسلاك بالتحميل بشكل كبير على الفرشاة حيث يمكن أن تفترق الشعيرات السلكية الملابس الخفيفة و/أو الجلد.
- ◀ إذا كان استخدام واقية للصقل بالفرشاة اللاسلكية موصى به فلا تسمح بحدوث أي تدخل للقرص السلكي أو الفرشاة مع الواقية. قد يزداد قطر القرص السلكي أو الفرشاة نتيجة لحمل العمل أو لقوى الطرد المركزية.

## إرشادات الأمان الإضافية

احرص على ارتداء نظارات واقية.



- ◀ استخدم أجهزة تنقيب ملائمة للعثور على خطوط الامداد غير الظاهرة، أو استعن بشركة الامداد المحلية. ملائمة الخطوط الكهربائية قد تؤدي إلى اندلاع النار وإلى الصدمات الكهربائية. حدوث أضرار بخطر الغاز قد يؤدي إلى حدوث انفجارات. اختراق خط الماء يشكل الأضرار المادية أو قد يؤدي إلى الصدمات الكهربائية.
- ◀ لا تمسك بأقراص التجلخ أو أقراص القطع قبل أن تبرد. تفرطاً على الأقراص درجات حرارة عالية أثناء العمل.

- (19) الصامولة المستديرة<sup>(A)</sup>  
 (20) فرشاة قديمة<sup>(A)</sup>  
 (21) غطاء الشفط للقطع مع دليل التوجيه<sup>(A)</sup>  
 (22) قرص القطع الماسي<sup>(A)</sup>  
 (23) مقبض (مقبض مسك معزول)  
 (24) كاتم الاهتزازات  
 (25) غطاء الوقاية الخاص بالتجليخ
- (26) كامة دليوية  
 (27) ذراع الشد لغطاء الوقاية  
 (28) لولب لضبط غطاء الوقاية  
 (29) غطاء وقاية خاص بالقطع
- (A) لا يتضمن إطار التوريد الاعتيادي التوابع المصورة أو المشروحة. تجد التوابع الكاملة في برنامجنا للتوابع.

## البيانات الفنية

المجلة الزاوية					
GWS 24-180 H	GWS 22-230 JH	GWS 22-230 H	GWS 22-180 H		
<b>3 601 H83 1..</b>	<b>3 601 H82 2..</b>	<b>3 601 H82 1..</b>	<b>3 601 H81 1..</b>		رقم الصنف
2400	2200	2200	2200	واط	قدرة الدخل الاسمية
1600	1500	1500	1500	واط	قدرة الخرج
8500	6600	6600	8500	دقيق ة <sup>1</sup>	عدد اللفات الاسمي
180	230	230	180	مم	أقصى قطر لأقراص التجليخ
M 14	M 14	M 14	M 14		لولب محور دوران الجلاخة
25	25	25	25	مم	أقصى طول للولب محور دوران الجلاخة
-	●	-	-		واقية إعادة التشغيل
-	●	-	-		محدد تيار بدء التشغيل
-	-	-	-		مقبض يدوي رئيسي قابل للدوران
-	-	-	-		مكبض إنهاء الدوران
الوزن حسب EPTA-Procedure 01:2014					
5,0	5,3	5,1	5,1	كجم	- مع مقبض إضافي مخمد للاهتزازات
4,9	5,2	5,0	5,0	كجم	- مع مقبض إضافي قياسي
II/□	II/□	II/□	II/□		فئة الحماية
المجلة الزاوية					
GWS 26-180 H	GWS 24-230 JH	GWS 24-230 H			
<b>3 601 H55 1..</b>	<b>3 601 H84 2..</b>	<b>3 601 H84 1..</b>			رقم الصنف
2600	2400	2400		واط	قدرة الدخل الاسمية
1700	1600	1600		واط	قدرة الخرج
8500	6600	6600		دقيقة <sup>1</sup>	عدد اللفات الاسمي
180	230	230		مم	أقصى قطر لأقراص التجليخ
M 14	M 14	M 14			لولب محور دوران الجلاخة
25	25	25		مم	أقصى طول للولب محور دوران الجلاخة
-	●	-			واقية إعادة التشغيل
-	●	-			محدد تيار بدء التشغيل
-	-	-			مقبض يدوي رئيسي قابل للدوران
-	-	-			مكبض إنهاء الدوران
الوزن حسب EPTA-Procedure 01:2014					
6,0	5,3	5,2		كجم	- مع مقبض إضافي مخمد للاهتزازات
5,9	5,2	5,1		كجم	- مع مقبض إضافي قياسي
II/□	II/□	II/□			فئة الحماية

المجلة الزاوية				
GWS 26-230 H	GWS 26-230 H	GWS 26-230 B		
3 601 H56 L..	3 601 H56 1..	3 601 H56 3..		رقم الصنف
2600	2600	2600	واط	قدرة الدخل الاسمية
1700	1700	1700	واط	قدرة الخرج
6600	6600	6600	دقيقة <sup>1</sup>	عدد اللفات الاسمي
230	230	230	مم	أقصى قطر لأقراص التجليخ
M 14	M 14	M 14		لولب محور دوران الجلاخة
25	25	25	مم	أقصى طول للولب محور دوران الجلاخة
-	-	-		واقية إعادة التشغيل
-	-	-		محدد تيار بدء التشغيل
-	-	●		مقبض يدوي رئيسي قابل للدوران
-	-	-		مكعب إنهاء الدوران
الوزن حسب EPTA-Procedure 01:2014				
6,1	6,1	6,2	كجم	- مع مقبض إضافي مخمد للاهتزازات
6,0	6,0	6,1	كجم	- مع مقبض إضافي قياسي
II/□	II/□	II/□		فئة الحماية

المجلة الزاوية			
GWS 24-230 JVX	GWS 20-230 H		
3 601 H64 5..	3 601 H50 1..		رقم الصنف
2400	2000	واط	قدرة الدخل الاسمية
1600	1250	واط	قدرة الخرج
6600	6600	دقيقة <sup>1</sup>	عدد اللفات الاسمي
230	230	مم	أقصى قطر لأقراص التجليخ
M 14	M 14		لولب محور دوران الجلاخة
18	25	مم	أقصى طول للولب محور دوران الجلاخة
-	-		واقية إعادة التشغيل
●	-		محدد تيار بدء التشغيل
●	-		مقبض يدوي رئيسي قابل للدوران
●	-		مكعب إنهاء الدوران
الوزن حسب EPTA-Procedure 01:2014			
6,5	5,2	كجم	- مع مقبض إضافي مخمد للاهتزازات
6,4	5,1	كجم	- مع مقبض إضافي قياسي
II/□	II/□		فئة الحماية

تسري البيانات على جهد اسمي [U] يبلغ 230 فولت. قد تختلف تلك البيانات حسب اختلاف الجهد والطرزات الخاصة بكل دولة.

فقط في العدد الكهربائية غير المزودة بمحدد تيار بدء التشغيل: تتسبب عمليات التشغيل في انخفاضات في الجهد لفترات قصيرة. عند الاستخدام غير المناسب لشبكة الكهرباء قد تحدث أضرار بأجهزة أخرى. في حالة وجود مقاومة بالشبكة أقل من 0,25 أوم فليس من المتوقع حدوث اختلالات.

### غطاء الوقاية الخاص بالتجليخ (GWS 24-230 JVX)

افتح ذراع الشد (27). ركب غطاء الوقاية بالكامل الدليلية (26) في المز الدليلي بعنق محور الدوران إلى أن يرتكز طوق غطاء الوقاية على شفة العدة الكهربائية وأدر غطاء الوقاية إلى الوضع المرغوب. أغلق ذراع الشد (27).

◀ قم بضبط غطاء الوقاية (25) بطريقة تمنع تطاير الشرر في اتجاه المستخدم.

يمكنك تغيير قوة شد قفل غطاء الوقاية من خلال حل أو ربط لولب الضبط (28). احرص على مراعاة

### التركيب

#### تركيب تجهيزات الحماية

◀ اسحب القياس من مقبس الشبكة الكهربائية قبل إجراء أي عمل على العدة الكهربائية.

ملاحظة: يجب أن ترسل العدة الكهربائية إلى مركز خدمة العملاء فوراً في حالة كسر قرص الجليخ أثناء التشغيل أو في حالة تلف تجهيزات الحوض بغطاء الوقاية/بالعدة الكهربائية، تجد العناوين في جزء «خدمة العملاء واستشارات الاستخدام».

◀ لا تمسك بأقراص التجليل أو أقراص القطع قبل أن تبرد. تطراً على الأقراص درجات حرارة عالية أثناء العمل.

قم بتنظيف محور دوران الجلاخة (4) وجميع الأجزاء المراد تركيبها.

لفك وإحكام ربط عدة التجليل اضغط على زر تثبيت محور الدوران (1) لتثبيت محور دوران الجلاخة.

◀ اضغط زر تثبيت محور الدوران فقط عندما يكون محور دوران الجلاخة متوقفاً عن الحركة. وإلا، فقد تتعرض العدة الكهربائية للضرر.

### صامولة سريعة الشد SDS-clic

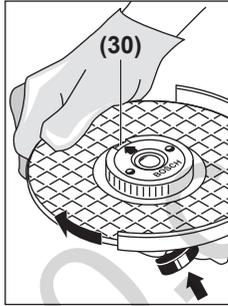
لتغيير عدة التجليل بسهولة دون استخدام عدد آخرى يمكنك بدلا من صامولة الشد (9) استخدام صامولة سريعة الشد (11).

◀ لا يجوز استخدام الصامولة سريعة الشد (11) إلا مع أقراص التجليل أو أقراص القطع.

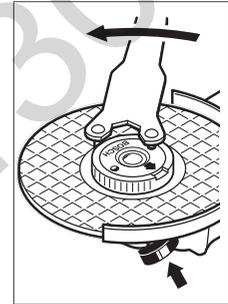
استخدم صامولة سريعة الشد فقط إن كانت سليمة وغير تالفة (11).

عند الفك احرص على ألا تشير ناحية الكتابة في صامولة الشد (11) إلى قرص التجليل؛ ينبغي أن يشير السهم إلى علامة المؤشر (30).

اضغط على زر تثبيت محور الدوران (1) لتثبيت محور دوران الجلاخة. أدر قرص الجلج بقوة في اتجاه حركة عقارب الساعة لشد الصامولة سريعة الشد.



الصامولة سريعة الشد السليمة المثبتة بشكل صحيح يمكنك فكها من خلال إدارة الحلقة المحززة عكس اتجاه عقارب الساعة يدويا. لا تستخدم كماشة أبداً في فك الصامولة سريعة الشد المنحصرة، واستخدم مفتاح الربط ثنائي الرأس. ضع مفتاح الربط ثنائي الرأس بالشكل الموضح في الصورة.



### قرص التجليل/القطع

تراعى مقاسات عدد الجلج. ينبغي أن يتلاءم قطر الفتحة مع فلانشة التثبيت. لا تستعمل القطع المهائية أو قطع التصغير.

عند استخدام أقراص القطع الماسية احرص على أن ينطبق سهم اتجاه الدوران الموجود على قرص القطع الماسي مع اتجاه دوران العدة الكهربائية (انظر سهم اتجاه الدوران الموجود على رأس التروس).

التثبيت المحكم لغطاء الوقاية وتأكد منه بصورة منتظمة.

إرشاد: تضمن الكامات الدليلية على غطاء الوقاية إمكانية تركيب غطاء وقاية ملائم للعدة الكهربائية فقط.

### غطاء الوقاية للجلج (لولب قمط)

GWS 20-230 H / GWS 22-180 H /  
GWS 22-230 H/JH / GWS 24-180 H /  
GWS 24-230 H/JH / GWS 26-180 H /  
(GWS 26-230 B/H)

ضع غطاء الوقاية (5) على رقية محور الدوران. قم بمواءمة موضع غطاء الوقاية (5) مع متطلبات العمل، و قم بتثبيت غطاء الوقاية (5) باستخدام لولب التثبيت (6).

◀ قم بضبط غطاء الوقاية (5) بطريقة تمنع تطاير الشرر في اتجاه المستخدم.

### غطاء وقاية خاص بالقطع

◀ احرص دائما على استخدام غطاء وقاية خاص بالقطع عند القطع بواسطة مواد الجلج المرتبطة (13)/(29).

◀ احرص على توفير تجهيزة شفط غبار كافية عند قطع المواد الحجرية.

يتم تركيب غطاء الوقاية الخاص بالقطع (13)/(29) بنفس طريقة تركيب غطاء الوقاية الخاص بالتجليل.

### غطاء الشفط للقطع مع دليل التوجيه

يتم تركيب غطاء الشفط الخاص بالقطع مع دليل التوجيه (21) بنفس طريقة تركيب غطاء الوقاية الخاص بالتجليل.

### مقبض إضافي

◀ استخدم العدة الكهربائية فقط مع المقبض الإضافي (3).

قم بربط المقبض الإضافي (3) حسب طريقة العمل يمينا أو يسارا على رأس التروس.

### كاتم الاهتزازات

(GWS 24-230 JVX)

يخفض كاتم الاهتزازات المركب الاهتزازات الناتجة.



◀ لا تستمر باستعمال العدة الكهربائية في حال تلف عنصر كاتم الاهتزازات.

### واقية اليد

◀ قم بتركيب واقية اليد دائما عند العمل مع صحنون الجلج المطاطية (17) أو الفرشاة القدمحية/فرشاة الصحن/قرص تجليل بريس (15).

قم بتثبيت واقية اليد (15) باستخدام المقبض الإضافي (3).

### تركيب أدوات التجليل

◀ اسحب القابس من مقبس الشبكة الكهربائية قبل إجراء أي عمل على العدة الكهربائية.

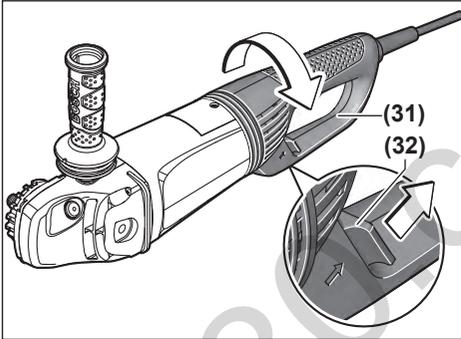
يراعى عدد اللفات المسموح به والسرعة المحيطة الموجودة على الملصق الخاص بأداة الجلج.

[م/ث]	[دقيق / م/ث]	الحد الأقصى [مم]			[مم]
		d	b	D	
80	8500	22,2	8	180	
80	6600	22,2	8	230	
80	8500	-	-	180	
80	6600	-	-	230	
45	8500	M 14	30	100	

### برم المقبض اليدوي الرئيسي

(GWS 24-230 JVX / GWS 26-230 B)

◀ اسحب القابس من مقبس الشبكة الكهربائية قبل إجراء أي عمل على العدة الكهربائية.



يسمى المقبض اليدوي الرئيسي (31) بالنسبة لجسم المحرك في كل مرة بزاوية 90° إلى اليسار أو اليمين. وبذلك يكون مفتاح التشغيل والإطفاء في بعض الحالات في وضع استخدام أنسب، على سبيل المثال، لأعمال القطع في وجود غطاء الشفط ودليل توجيهه (21) أو للأشخاص الذين يستخدمون اليد اليسرى. اسحب مفتاح فك إقفال المقبض (32) إلى اتجاه السهم وأدر المقبض اليدوي الرئيسي (31) بنفس الوقت إلى الوضع المرغوب إلى أن يتعاشق.

### تدوير رأس التروس

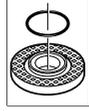
GWS 20-230 H / GWS 22-180 H /  
GWS 22-230 H/JH / GWS 24-180 H /  
GWS 24-230 H/JH / GWS 26-180 H /  
(GWS 26-230 B/H)

◀ اسحب القابس من مقبس الشبكة الكهربائية قبل إجراء أي عمل على العدة الكهربائية.

يظهر ترتيب التركيب في صفحة الرسوم التخطيطية. لتثبيت قرص التجلج/القطع قم بفك صامولة الشد (9) وأحكام شد القرص باستخدام مفتاح الربط المركب، انظر الفصل (انظر ,, صامولة سريعة الشد SDS-clie“، الصفحة 85).

◀ بعد تركيب عدد الجلج وقبل التشغيل تأكد من تركيب عدد الجلج بشكل سليم، وأنه يمكنها الدوران بحرية. تأكد من عدم احتكاك عدد الجلج بغطاء الوقاية أو بغيرها من الأجزاء.

تم تركيب جزء بلاستيكي (حلقة منع التسريب) في فلانشة التثبيت (7) حول حلقة التمرکز. في حالة فقدان حلقة منع التسريب أو حدوث أضرار بها، يجب استبدال فلانشة التثبيت (7) قبل مواصلة الاستخدام.



### قرص تجليخ بربش

◀ قم بتركيب واقية اليد دائما عن العمل باستخدام قرص تجليخ بربش (15).

### صحن التجلج المطاطي

◀ عند العمل باستخدام صحن التجلج المطاطي (17) قم بتركيب واقية اليد دائما (15).

تجد ترتيب خطوات التركيب في صفحة الرسوم التخطيطية.

قبل تركيب صحن التجلج المطاطي (17) ضع قرصي المباعدة (16) على محور دوران الجلاخة (4).

GWS 20-230 H / GWS 22-180 H /

GWS 22-230 H/JH / GWS 24-180 H /

GWS 24-230 H/JH / GWS 26-180 H /

(GWS 26-230 B/H)

قم بفك الصامولة المستديرة (19) و قم بإحكام ربطها باستخدام مفتاح الربط ثنائي الرأس.

إرشاد: ضع في اعتبارك ضرورة استخدام قوة كبيرة عند فك الصامولة المستديرة (19) (GWS 24-230 JVX).

### فرشاة قديمة/فرشاة الصحن

◀ للعمل بالفرشاة القديمة أو فرشاة الصحن قم بتركيب واقية اليد دائما (15).

تجد ترتيب خطوات التركيب في صفحة الرسوم التخطيطية.

ينبغي أن يتم إحكام ربط الفرشاة القديمة/فرشاة الصحن على محور دوران الجلاخة، بحيث تكون محكمة الربط في فلانشة محور دوران الجلاخة عند نهاية لولب محور دوران الجلاخة. أحكم ربط الفرشاة القديمة/فرشاة الصحن باستخدام مفتاح هلاي.

إرشاد: ضع في اعتبارك ضرورة استخدام قوة كبيرة عند فك أداة التجلج (GWS 24-230 JVX).

### عدد الجلج المسموح بها

يمكنك استخدام جميع عدد الجلج المذكورة في دليل التشغيل.

على أقل تقدير يجب أن تتطابق كلا من عدد اللفات المسموح بها في [دقيقة واحدة] والسرعة المحيطة [م/ث] لعدد الجلج المستخدمة للمعلومات الواردة في الجدول التالي.

لغرض تثبيت مفتاح التشغيل والإطفاء (2) قم بالضغط على مفتاح التشغيل والإطفاء (2) مرة أخرى إلى أعلى.

لغرض إطفاء العدة الكهربائية اترك مفتاح التشغيل والإطفاء (2) أو إذا كان مثبتا، اضغط على مفتاح التشغيل والإطفاء (2) لوهلة قصيرة ثم اتركه.

#### طراز المفتاح غير المزود بقفل (حسب البلد):

لغرض تشغيل العدة الكهربائية حرك مفتاح التشغيل والإطفاء (2) إلى أعلى، ثم اضغط عليه.

لغرض إطفاء العدة الكهربائية اترك مفتاح التشغيل والإطفاء (2).

◀ افحص عدة الجلب قبل استخدامها. يجب أن تكون عدة الجلب مركبة بشكل سليم وتدور بشكل حر. قم بعمل تشغيل تجريبي لمدة دقيقة واحدة دون تحميل. لا تستخدم أدوات تجليخ بها أضرار أو غير منتظمة الشكل أو تهتز بشكل مفرط. فقد تنكسر أدوات التجليخ التي بها أضرار وتتسبب في حدوث إصابات.

#### مكبح إنهاء الدوران (GWS 24-230 JVX)

العدة الكهربائية مزودة بنظام المكبح Bosch Brake System وهو مكبح توقف في حالة إيقاف الإمداد بالتيار أو انقطاعه تتوقف عدة الجلب خلال عدة ثوان. يعني هذا تقليل زمن إنهاء الحركة مقارنة بالمخلعة الزاوية غير المزودة بمكبح إنهاء الحركة بنسبة حوالي 70 % مما يتيح إيقاف العدة الكهربائية بشكل مبكر.

**إرشاد:** إن تراجع تأثير المكبح بوضوح، فهذا يعني أن مكبح إنهاء الحركة قد تعطل. ينبغي إرسال العدة الكهربائية إلى مركز خدمة العملاء في أسرع وقت، تجد العناوين في جزء «خدمة العملاء واستشارات الاستخدام».



#### واقية إعادة التشغيل

(GWS 22-230 JH / GWS 24-230 JH)

تمنع واقية إعادة التشغيل إعادة تشغيل العدة الكهربائية دون تحكم بها عند عودة الإمداد بالتيار الكهربائي.

لغرض إعادة التشغيل ينبغي ضبط مفتاح التشغيل والإطفاء (2) على وضع الإطفاء، ثم إعادة تشغيل العدة الكهربائية.

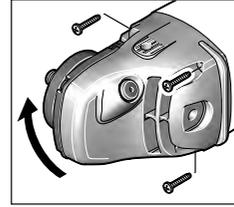
#### محدد تيار بدء التشغيل

(GWS 22-230 JH / GWS 24-230 JH/JVX)

إن محدد تيار التشغيل الإلكتروني يحدد القدرة عند تشغيل العدة الكهربائية، ويتبع التشغيل بمصهر 16 أمبير.

**ملاحظة:** إن بدأت العدة الكهربائية تدور بعدد اللغات الكامل بعد التشغيل مباشرة، فهذا يعني أن محدد تيار بدء التشغيل وواقية إعادة التشغيل بهما عطل. ينبغي إرسال العدة الكهربائية إلى مركز خدمة العملاء في أسرع وقت، تجد العناوين في جزء «خدمة العملاء واستشارات الاستخدام».

يمكن تدوير رأس التروس على درجات 90°. وبذلك يكون مفتاح التشغيل والإطفاء في بعض الحالات في وضع استخدام أنسب، على سبيل المثال، لأعمال القطع في وجود غطاء الشفط ودليل التوجيه (21) أو للأشخاص الذين يستخدمون اليد اليسرى.



قم بفك اللوالب الأربعة تماما. حرك رأس التروس بحرص وبدون فك جسم الجهاز إلى الموضع الجديد. أحكم شد اللوالب الأربعة بعد ذلك.

#### شفط الغبار/النشارة

إن غبار بعض المواد كالطلاء الذي يحتوي على الرصاص، وبعض أنواع الخشب والفلزات والمعادن، قد تكون مضرّة بالصحة. إن ملامسة أو استنشاق غبار قد يؤدي إلى أعراض حساسية و/أو إلى أمراض الجهاز التنفسي لدى المستخدم أو لدى الأشخاص المتواجدين على مقربة من المكان.

تعتبر بعض الأغبرة المعينة، كأغبرة البلوط والزان، مسببة للسرطان، ولا سيما عند الارتباط بالمواد الإضافية لمعالجة الخشب (ملع حامض الكروميك، المواد الحافظة للخشب). يجوز أن يتم معالجة المواد التي تحتوي على الأسبستوس من قبل العمال المتخصصين فقط دون غيرهم.

- استخدم شافطة غبار ملائمة للمادة قدر الإمكان.
- حافظ على تهوية مكان الشغل بشكل جيد.
- ينصح بارتداء قناع وفاقية للتنفس بفئة المرشح P2.
- تراعى الأحكام السارية في بلدكم بالنسبة للمواد المرغوب معالجتها.

◀ تجنب تراكم الغبار بمكان العمل. يجوز أن تستعمل الأغبرة بسهولة.

## التشغيل

### التشغيل

◀ يراعى جهد الشبكة الكهربائية! يجب أن يتطابق جهد منبع التيار مع البيانات المذكورة على لوحة صنع العدة الكهربائية. يمكن أن يتم تشغيل العدد الكهربائية المميزة بعلامة 230 فلت في مقبس 220 فلت أيضا.

عند تشغيل العدة الكهربائية باستخدام مولدات الطاقة المتنقلة (المولدات)، التي لا يوجد بها احتياطات كافية من الطاقة أو ليست لديها وسيلة تحكم مناسبة في الجهد مع وسيلة تقوية تيار بدء التشغيل، فيمكن أن يؤدي ذلك إلى حدوث حالات ضعف في الأداء أو أداء غير اعتيادي عند التشغيل. يرجى مراعاة مدى توافق مولد التيار المستخدم، وخاصة فيما يتعلق بجهد وتردد الشبكة الكهربائية.

### التشغيل والإطفاء

لغرض تشغيل العدة الكهربائية حرك مفتاح التشغيل والإطفاء (2) إلى أعلى واضغط عليه بعدها.

يجب عليك استخدام أصغر قطاع عرضي.

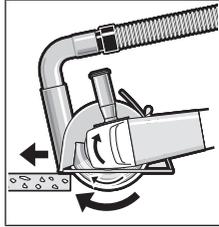
### قطع الخامات الحجرية

- ◀ احرص على توفير تجهيزة شفط غبار كافية عند قطع المواد الحجرية.
- ◀ قم بارتداء قناع للوقاية من الغبار.
- ◀ يجب أن يقتصر استخدام العدة الكهربائية على القطع الجاف/التجليخ الجاف.

لقطع الخامات الحجرية يفضل استخدام أقراص القطع الماسية.

عند استخدام غطاء الشفط للقطع مع دليل التوجيه (21) يجب أن تكون شافطة الغبار مخصصة لشفط غبار الحجارة. توفر بوش المكناس الكهربائية المناسبة.

قم بتشغيل العدة الكهربائية، وضعها على قطعة الشغل من الجزء الأمامي لدليل التوجيه. قم بتحريك العدة الكهربائية مع دفع أمامي معتدل مناسب للغامة التي تتم معالجتها.



عند قطع المواد الصلبة بشكل خاص، على سبيل المثال، الخرسانة المحتوية على نسبة كبيرة من الحصى، يمكن أن تسخن أقراص القطع الماسية وبالتالي قد تتلف. يشير خروج طوق من الشرر من القرص الماسي بوضوح إلى تعرضه للتلف.

في هذه الحالة، قم بإنهاء عملية القطع واركب قرص القطع الماسي يعمل على وضع اللاحمل بسرعة عالية لفترة قصيرة حتى يبرد.

يشير تراجع الأداء بشكل ملحوظ وتشكل طوق من الشرر إلى أن أقراص القطع الماسية قد أصبحت تالمة. ويمكن إعادها شحذها عن طريق عمليات قطع قصيرة في خامات تجليخ، على سبيل المثال الحجر الجيري الرملي.

### إرشادات إنشائية

الشقوق في الجدران الحاملة تخضع لمواصفات DIN 1053 الجزء الأول، أو التشريعات الخاصة بكل دولة. ويجب اتباع هذه اللوائح. قبل بدء العمل، يرجى استشارة المهندس الإنشائي المسؤول، المهندس المعماري أو مدير البناء المسؤول.

## الصيانة والخدمة

### الصيانة والتنظيف

- ◀ اسحب القابض من مقبس الشبكة الكهربائية قبل إجراء أي عمل على العدة الكهربائية.
- ◀ للعمل بشكل جيد وآمن حافظ دائماً على نظافة العدة الكهربائية وفتحات التهوية.
- ◀ احرص دائماً على استخدام وحدة شفط في ظروف العمل القاسية قدر الإمكان. قم بتنظيف فتحات التهوية عن طريق نفخ الهواء عدة مرات، و قم بتوصيل مفتاح للوقاية من التيار المتخلف (PRCD) بشكل مسبق. قد يترسب الغبار الموصل للكهرباء داخل العدة

### إرشادات العمل

- ◀ اسحب القابض من مقبس الشبكة الكهربائية قبل إجراء أي عمل على العدة الكهربائية.
- ◀ توخ الحرص عند عمل شقوق في الجدران الحاملة، انظر جزء «إرشادات إنشائية».
- ◀ احرص على تثبيت قطعة الشغل، إلا إذا كانت ثابتة بسبب وزنها.
- ◀ لا تقم بالتحميل على العدة الكهربائية بشكل كبير يتسبب في توقفها.
- ◀ بعد تحميل العدة الكهربائية بشكل شديد قم بتشغيلها لعدة دقائق على وضع اللاحمل من أجل تبريدها.
- ◀ لا تمسك بأقراص التجليخ أو أقراص القطع قبل أن تبرد. تطراً على الأقراص درجات حرارة عالية أثناء العمل.

◀ لا تستعمل العدة الكهربائية مع حامل القطع السحبي.

**ملاحظة:** في حالة عدم الاستخدام اسحب القابض من مقبس الشبكة الكهربائية. تستمر العدة الكهربائية في استهلاك الكهرباء بشكل منخفض حتى إذا كانت مطفأة، طالما كان القابض الكهربائي موصل وجهد الشبكة الكهربائية متوفراً.

### تجليخ التخشين

◀ لا تستعمل أقراص القطع في تجليخ التخشين أبداً.

مع زاوية عمل تتراوح بين 30° و 40° ستمحصل أثناء تجليخ التخشين على أفضل نتائج. حرك العدة الكهربائية ذهاباً وإياباً بضغط معتدل. وبذلك لا تتعرض قطعة الشغل لسخونة زائدة ولا يتغير لونها أو تتشكل فيها حزوز.

### قرص تجليخ بريش

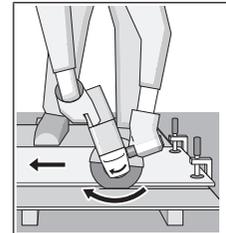
بواسطة قرص تجليخ بريش (توايج) يمكنك معالجة الأسطح والقطاعات المقوسة. أقراص التجليخ ذات الريش لديها عمر افتراضي طويل، ومستوى ضجيج منخفض، كما أن درجات حرارتها أقل من أقراص التجليخ التقليدية.

### قطع الخامات المعدنية

احرص دائماً على استخدام غطاء وقاية خاص بالقطع عند القطع بواسطة مواد الجليخ المرتبطة (13)/(29).

احرص على العمل بدفع أمامي معتدل ومناسب للغامة التي يتم التعامل معها عند القطع السحبي. لا تضغط على قرص القطع أو تجعله يميل أو يهتز. لا تكبح أقراص القطع التي خرجت من مسارها من خلال الضغط العكسي الجانبي.

بل يجب ضبط العدة الكهربائية على الدوران في عكس الاتجاه. وإلا فسيكون هناك خطر من اندفاعها بشكل خارج عن السيطرة خارج مكان القطع. عند تقطيع القضبان المضلعة، والمواسير المستطيلة،



الكهربائية عند معالجة المعادن. قد يضر ذلك بعزل العدة الكهربائية.

قم بتفزين التوابع وتعامل معها بعناية. إذا تطلب الأمر استبدال خط الإمداد، فينبغي أن يتم ذلك من قبل شركة **Bosch** أو من قبل مركز خدمة الزبائن المعتمد لشركة **Bosch** للعدد الكهربائية، لتجنب التعرض للمخاطر.

### خدمة العملاء واستشارات الاستخدام

يجب مركز خدمة العملاء على الأسئلة المتعلقة بإصلاح المنتج وصيانتها، بالإضافة لقطع الغيار. تجد الرسوم التفصيلية والمعلومات الخاصة بقطع الغيار في الموقع: [www.bosch-pt.com](http://www.bosch-pt.com) يسر فريق Bosch لاستشارات الاستخدام مساعدتك إذا كان لديك أي استفسارات بخصوص منتجاتنا وملحقاتها.

يلزم ذكر رقم الصنف ذو اللغات العشر وفقاً للوحة صنع المنتج عند إرسال أية استفسارات أو طلبيات قطع غيار.

### الجزائر

سيستال  
منطقة الحدادين الصناعية  
06000 بناية  
هاتف: +213 (0) 982 400 991/2  
فاكس: +213 (0) 3 420 1569  
بريد إلكتروني: [sav@siestal-dz.com](mailto:sav@siestal-dz.com)

### البحرين

شركة الجفلي وإخوانه للمعدات الفنية.  
مملكة البحرين، العكر - بلوك 0624 - شارع 2403 - مبنى 0055D  
الهاتف: +97317704537  
فاكس: +973177045257  
البريد الإلكتروني: [h.berjas@eajb.com.sa](mailto:h.berjas@eajb.com.sa)

### مصر

RBEG-LLC  
22 كمال الدين حسين  
شيراتون هليوبوليس  
11799 القاهرة  
البريد الإلكتروني:  
[boschegypt.powertools@eg.bosch.com](mailto:boschegypt.powertools@eg.bosch.com)

### العراق

Sahba Technology Group  
شارع مطار المثنى  
بغداد  
هاتف بغداد: +964 (0) 7 901 930366  
هاتف دبي: +971 (0) 4 422 1898  
البريد الإلكتروني: [duraid@sahbatechnology.com](mailto:duraid@sahbatechnology.com)

### الأردن

شركة الجذور العربية Roots Arabia - الأردن  
شارع الحرية، المقابيلين  
عمان 11623، الأردن  
صندوق بريد: 110068  
هاتف: +962 6 4398990  
البريد الإلكتروني: [bosch@rootsjordan.com](mailto:bosch@rootsjordan.com)

### الكويت

منطقة الشويخ الصناعية، مبنى 1، قطعة 16، شارع رقم 3  
صندوق بريد صندوق 164 - 13002 الصفاة  
هاتف: 24810844  
فاكس: 24810879  
بريد إلكتروني: [josephkr@aaalmutawa.com](mailto:josephkr@aaalmutawa.com)

### لبنان

طحيني هنا وشركاه ش.ذ.م.م.  
صندوق بريد صندوق 449-90  
جديده  
الدورة-بيروت  
هاتف: +9611255211  
بريد إلكتروني: [service-pt@tehini-hana.com](mailto:service-pt@tehini-hana.com)

### المغرب

Robert Bosch Morocco SARL  
53 شارع الملازم محمد محروم  
20300 الدار البيضاء  
الهاتف: +212 5 29 31 43 27  
البريد الإلكتروني: [sav.outillage@ma.bosch.com](mailto:sav.outillage@ma.bosch.com)

### عمان

ملتن للتجارة والمقاولات ش.م.م.  
صندوق بريد 131، روى، مسقط  
الكود البريدي: 112، سلطنة عمان  
هاتف: +968 2479 4035/4089/4901  
جوال: +968-91315465  
فاكس: +968 2479 4058  
البريد الإلكتروني: [sudhirkumar@malatan.net](mailto:sudhirkumar@malatan.net)

### قطر

الدولية لحلول البناء ش.م.م.  
صندوق بريد صندوق 51،  
هاتف الدوحة: +974 40065458  
فاكس: +974 4453 8585  
بريد إلكتروني: [csd@icsdoha.com](mailto:csd@icsdoha.com)

### المملكة العربية السعودية

شركة الجفلي للمعدات الفنية (جيتكو)  
صندوق بريد: 1049 - جدة 21431 - المملكة العربية السعودية  
جدة: 00966 (0) 12 692 0770 - داخلي 433  
الرياض: 00966 (0) 11 409 3976 - داخلي 30/34/39  
الدمام: 00966 (0) 13 833 9565  
البريد الإلكتروني: [M.Zreik@eajb.com.sa](mailto:M.Zreik@eajb.com.sa)

### سوريا

مؤسسة دلال للمعدات الكهربائية  
دمشق. شارع البرامكة - شارع بن عامر  
هاتف: +963112241006 أو 009631122414009  
الجوال: 00963991141005  
البريد الإلكتروني: [rita.dallal@hotmail.com](mailto:rita.dallal@hotmail.com)

### تونس

روبرت بوش تونس ش.ذ.م.م.  
7 زرقة ابن بطوطة Z.a. سان جوبان  
مقرين رياض  
2014 ابن عروس  
هاتف: +216 71 427 496/879

فاكس: +216 71 428 621  
بريد إلكتروني: sav.outillage@tn.bosch.com

### الإمارات العربية المتحدة

المركزية للسيارات والمعدات،  
صندوق بريد 26255، دبي  
دبي: 00971 (0) 4 3090920/3090930  
أبو ظبي: 00971 (0) 2 4017745  
الشارقة: 00971 (0) 6 5932777  
العين: 00971 (0) 3 7157419  
البريد الإلكتروني:  
Mallappa.Madari@centralmotors.ae

### اليمن

مؤسسة أبو الرجال التجارية  
صنعاء، شارع الزبيري. أمام مبنى البرلمان الجديد  
هاتف: +967-1-202010  
فاكس: +967-1-471917  
بريد إلكتروني: /tech-tools@abualrejal.com  
yahya@abualrejal.com

### التخلص من العدة الكهربائية

ينبغي تسليم العدة الكهربائية والتوابع والعبوة إلى  
مركز معالجة النفايات بطريقة محافظة على البيئة.  
لا ترمم العدة الكهربائية ضمن النفايات  
المنزلية.



### فقط لدول الاتحاد الأوروبي:

حسب التوجيه الأوروبي 2012/19/EU بصدد الأجهزة  
الكهربائية والإلكترونية القديمة وتطبيقه ضمن  
القانون المحلي، ينبغي جمع العدة الكهربائية التي لم  
تعد صالحة للاستعمال بشكل منفصل، وتسليمها لمركز  
يقوم بإعادة استغلالها بطريقة محافظة على البيئة.

## فارسی

### دستورات ایمنی

#### هشدارهای ایمنی عمومی برای ابزارهای برقی

##### هشدار

تمامی هشدارهای ایمنی و دستورالعملها را مطالعه

کنید. عدم رعایت هشدارها و دستورالعملها ممکن است باعث برق گرفتگی، سوختگی و یا جراحتهای جدی شود.

کلیه هشدارهای ایمنی و دستورالعملها را برای مراجعات بعدی نگهداری کنید.

عبارت «ابزار برقی» در هشدارها به ابزارهایی که به پریز برق متصل میشوند (یا سیم برق) و یا ابزارهای برقی باتری دار (بدون سیم برق) اشاره دارد.

##### ایمنی محل کار

محیط کار را تمیز و روشن نگه دارید. محیطهای در هم ریخته یا تاریک احتمال بروز حادثه را افزایش میدهند.

ابزار برقی را در محیطهایی که خطر انفجار وجود دارد و حاوی مایعات، گازها و بخارهای محترقه هستند، به کار نگیرید. ابزارهای برقی جرقههایی ایجاد میکنند که میتوانند باعث آتش گرفتن گرد و غبارهای موجود در هوا شوند.

هنگام کار با ابزار برقی، کودکان و سایر افراد را از دستگاه دور نگه دارید. در صورتیکه حواس شما پرت شود، ممکن است کنترل دستگاه از دست شما خارج شود.

##### ایمنی الکتریکی

دوشاخه ابزار برقی باید با پریز برق تناسب داشته باشد. هیچگونه تغییری در دوشاخه ایجاد نکنید. برای ابزارهای برقی دارای اتصال زمین (ارت)، از هیچگونه مبدل دو شاخه استفاده نکنید. دوشاخههای اصل و تغییر داده نشده و پریزهای مناسب، خطر برق گرفتگی را کاهش میدهند.

از تماس بدن با قطعات متصل به سیم اتصال زمین مانند لوله، شوفاژ، اجاق برقی و یخچال خودداری کنید. در صورت تماس بدنی با سطوح و قطعات دارای اتصال به زمین و همچنین تماس شما با زمین، خطر برق گرفتگی افزایش می یابد.

ابزارهای برقی را در معرض باران و رطوبت قرار ندهید. نفوذ آب به ابزار برقی، خطر شوک الکتریکی را افزایش میدهد.

از سیم دستگاه برای مقاصد دیگر استفاده نکنید. هرگز برای حمل ابزار برقی، کشیدن آن یا خارج کردن دوشاخه از سیم دستگاه استفاده نکنید. کابل دستگاه را از حرارت، روغن، لبههای تیز یا قطعات متحرک دور نگه دارید. کابلهای آسیب دیده و یا گره خورده خطر شوک الکتریکی را افزایش میدهند.

هنگام استفاده از ابزار برقی در محیطهای باز، تنها از کابل رابطی استفاده کنید که برای محیط باز نیز مناسب باشد. کابلهای رابط مناسب

برای محیط باز، خطر برق گرفتگی را کاهش میدهند.

در صورت لزوم به کار با ابزار برقی در محیط و اماکن مرطوب، باید از یک کلید حفاظتی جریان خطا و نشستی زمین (کلید قطع کننده اتصال با زمین) استفاده شود. استفاده از کلید حفاظتی جریان خطا و نشستی زمین خطر برق گرفتگی را کاهش میدهد.

##### رعایت ایمنی شخصی

حواس خود را خوب جمع کنید، به کار خود دقت کنید و با فکر و هوشیاری کامل با ابزار برقی کار کنید. در صورت خستگی و یا در صورتی که از مواد مخدر، الکل و دارو استفاده کردهاید، با ابزار برقی کار نکنید. یک لحظه بی توجهی هنگام کار با ابزار برقی، میتواند جراحت های شدیدی به همراه داشته باشد.

از تجهیزات ایمنی شخصی استفاده کنید. همواره از عینک ایمنی استفاده نمایید. استفاده از تجهیزات ایمنی مانند ماسک ایمنی، کفشهای ایمنی ضد لغزش، کلاه ایمنی و گوشی ایمنی متناسب با نوع کار، خطر مجروح شدن را کاهش میدهد.

مواظب باشید که ابزار برقی بطور ناخواسته بکار نیفتد. قبل از وارد کردن دوشاخه دستگاه در پریز برق، اتصال آن به باتری و برداشتن یا حمل دستگاه، دقت کنید که ابزار برقی خاموش باشد. در صورتی که هنگام حمل دستگاه انگشت شما روی دکمه قطع و وصل باشد و یا دستگاه را در حالت روشن به برق بزنید، ممکن است سوانع کاری پیش آید.

قبل از روشن کردن ابزار برقی، همه ابزارهای تنظیم کننده و آپارها را از روی دستگاه بردارید. ابزار و آپارهایی که روی بخشهای چرخنده دستگاه قرار دارند، میتوانند باعث ایجاد جراحت شوند.

وضعیت بدن شما باید در حالت عادی قرار داشته باشد. برای کار جای مطمئنی برای خود انتخاب کرده و تعادل خود را همواره حفظ کنید. به این ترتیب میتوانید ابزار برقی را در وضعیتهای غیر منتظره بهتر تحت کنترل داشته باشید.

لباس مناسب بپوشید. از پوشیدن لباسهای گشاد و حمل زینت آلات خودداری کنید. موها، لباس و دستکشها را از بخشهای در حال چرخش دستگاه دور نگه دارید. لباسهای گشاد، موی بلند و زینت آلات ممکن است در قسمتهای در حال چرخش دستگاه گیر کنند.

در صورتی که تجهیزاتی برای اتصال وسائل مکش گرد و غبار و یا وسیله جمع کننده گرد و غبار ارائه شده است، باید مطمئن شوید که این وسائل درست نصب و استفاده می شوند. استفاده از وسائل مکش گرد و غبار مصونیت شما را در برابر گرد و غبار زیادتیر میکند.

استفاده صحیح از ابزار برقی و مراقبت از آن از وارد کردن فشار زیاد روی دستگاه خودداری کنید. برای هر کاری، از ابزار برقی مناسب با آن استفاده کنید. بکار گرفتن ابزار

- ◀ از ابزار و متعلقاتی که توسط سازنده طراحی و از سوی آنان تأیید نشده باشند، خودداری کنید. تنها به این دلیل که یکی از متعلقات بر روی ابزار برقی شما میتواند نصب شود، ایمنی هنگام کار را تضمین نمیکند.
  - ◀ میزان تحمل سرعت مجاز متعلقات باید حداقل معادل با حداکثر سرعت تعیین شده بر روی ابزار برقی باشد. متعلقاتی که سریعتر از حد مجاز میپرخند، ممکن است بشکنند و به اطراف پرتاب شوند.
  - ◀ قطر و ضخامت ابزار و متعلقاتی که بر روی دستگاه قرار میگیرند، باید با اندازهها و مقادیر قید شده ابزار برقی مطابقت داشته باشند. ابزار و متعلقات با اندازه های نامتناسب و نادرست نمی توانند به حد کافی تحت حفاظت و قابل کنترل باشند.
  - ◀ متعلقات دارای رزوه با بستنی با رزوه محور دستگاه متناسب باشند. برای متعلقاتی که بوسیله فلائز نصب می شوند، قطر سوراخ ابزار باید با قطر گیرنده فلائز متناسب باشد. متعلقاتی که با تجهیزات نگهدارنده ابزار برقی همخوانی ندارند، بطور نامتعادل میپرخند، به شدت میلرزند و میتوانند باعث از بین رفتن کنترل روی دستگاه شوند.
  - ◀ از متعلقات آسیب دیده استفاده نکنید. قبل از هر بار استفاده، متعلقاتی نظیر صفحه های ساب را از نظر ترک خوردگی و شکستگی، قابهای محافظ و کفی سنبله را از نظر ترک خوردگی، استهلاک یا ساییدگی غیر متعارف، برس سیمی را از نظر شل بودن یا شکستگی سیمها کنترل کنید. در صورت زمین افتادن ابزار برقی یا متعلقات دستگاه، آنها را از نظر آسیب دیدگی احتمالی بررسی کنید یا از متعلقات سالم استفاده نمایید. پس از بررسی و نصب متعلقات، خود و سایر افراد نزدیک به ابزار برقی را از معرض متعلقات در حال چرخش دور نگه دارید و ابزار برقی را به مدت یک دقیقه با حداکثر سرعت در حالت بدون بار، روشن بگذارید. متعلقات آسیب دیده معمولاً هنگام این آزمایش میشکنند.
  - ◀ از تجهیزات ایمنی و پوشش محافظ شخصی استفاده کنید. متناسب با نوع کار، از گارد محافظ صورت یا عینک ایمنی استفاده کنید. در صورت لزوم از ماسک ضد غبار، گوشی ایمنی، دستکش ایمنی و یا پیش بند ایمنی مخصوصی که بتواند در مقابل ذرات مواد یا تراشه از شما محافظت کند، استفاده نمایید. محافظ چشمها باید بتواند در مقابل پرتاب براده و تراشهایی که در هنگام کارهای مختلف تولید میشوند، از چشمان شما محافظت کند. ماسکهای ایمنی ضد غبار یا ماسکهای تنفس باید قادر به فیلتر کردن گرد و غبار ناشی از کار باشند. قرارگیری طولانی مدت در معرض سر و صدای بلند، میتواند باعث تضعیف قدرت شنوایی شود.
  - ◀ دقت کنید که سایر افراد، فاصله کافی با محل کار شما داشته باشند. هر فردی که به محل کار شما نزدیک میشود، موظف است از تجهیزات ایمنی و پوشش محافظ شخصی
  - برقی مناسب باعث میشود که بتوانید از توان دستگاه بهتر و با اطمینان بیشتر استفاده کنید.
  - ◀ در صورت ایراد در کلید قطع و وصل ابزار برقی، از دستگاه استفاده نکنید. هر نوع ابزار برقی که نمی توان آن را با استفاده از کلید قطع و وصل کرد، خطرناک بوده و باید تعمیر شود.
  - ◀ قبل از تنظیم ابزار برقی، تعویض متعلقات و یا کنار گذاشتن آن، دوشاخه را از برق بکشید و یا باتری آنرا خارج کنید. رعایت این اقدامات ایمنی پیشگیرانه از روشن شدن ناخواسته ابزار الکتریکی جلوگیری می کند.
  - ◀ ابزار برقی را در صورت عدم استفاده، از دسترس کودکان دور نگه دارید و اجازه ندهید که افراد ناوارد و یا اشخاصی که این دفترچه راهنما را نخوانده اند، با این دستگاه کار کنند. قرار گرفتن ابزار برقی در دست افراد ناوارد و بی تجربه خطرناک است.
  - ◀ از ابزار برقی خوب مراقبت کنید. مواظب باشید که قسمت های متحرک دستگاه خوب کار کرده و گیر نکنند. همچنین دقت کنید که قطعات ابزار برقی شکسته و یا آسیب دیده نباشند. قطعات آسیب دیده را قبل از شروع به کار تعمیر کنید. علت بسیاری از سوانح کاری، عدم مراقبت کامل از ابزارهای برقی است.
  - ◀ ابزارهای برش را تیز و تمیز نگه دارید. ابزار برشی که خوب مراقبت شده و از لبه های تیز برخوردار است، کمتر در قطعه کار گیر کرده و بهتر قابل هدایت است.
  - ◀ ابزار برقی، متعلقات، متهای دستگاه و غیره را مطابق دستورالعملهای این جزوه راهنما به کار بگیرید و به شرایط کاری و نوع کار نیز توجه داشته باشید. استفاده از ابزار برقی برای عملیاتی به جز مقاصد در نظر گرفته شده، میتواند به بروز شرایط خطرناک منجر شود.
- سرویس**
- ◀ برای تعمیر ابزار برقی فقط به متخصصین حرفهای رجوع کنید و از قطعات یدکی اصل استفاده نمایید. این باعث خواهد شد که ایمنی دستگاه شما تضمین گردد.
- راهنمائیها و نکات ایمنی برای دستگاه سنگ فرز**
- هشدارهای ایمنی مشترک برای عملیات سنگزنی، سنبلدهکاری، برسکاری یا برش
  - ◀ این ابزار برقی به عنوان ابزاری برای سنگزنی، سنبلدهکاری، برسکاری یا برش در نظر گرفته شده است. به کلیه هشدارهای ایمنی، دستورالعملها، تصاویر و مشخصات ارائه شده به همراه این ابزار برقی توجه کنید. عدم رعایت دستورالعملهای زیر ممکن است باعث برق گرفتگی، سوختگی و یا سایر جراحتهای شدید شود.
  - ◀ استفاده از این ابزار برقی برای انجام عملیاتی مانند پولیش کردن یا برش توصیه نمیشود. استفاده از این ابزار برقی در مواردی که برای آن در نظر گرفته نشده است، میتواند خطرات و جراحتهایی به دنبال داشته باشد.

- ◀ **ابزار برقی را محکم بگیرید و بدن و بازوی خود را به گونهای قرار دهید که قادر به کنترل و خنثی کردن نیروهای ضربه زننده دستگاه باشید. در صورت در اختیار داشتن دسته کمکی، همواره از آن استفاده کنید تا با کمک آن بتوانید هنگام کارکرد ابزار برقی در سرعت زیاد، حداکثر کنترل را بر نیروهای ضربه زننده و گشتاور واکنشی آن داشته باشید. کاربرد میتواند با رعایت احتیاط و اقدامات ایمنی مناسب بر نیروهای ضربه زننده و نیروهای واکنشی تسلط داشته باشد.**
- ◀ **هرگز دست خود را به متعلقات متحرک و در حال چرخش نزدیک نکنید. زیرا ممکن است ابزار کار متحرک هنگام پس زدن با دست شما اصابت کند.**
- ◀ **از نزدیک شدن و تماس با آن قسمت از ابزار برقی که بر اثر پس زدن به حرکت در میاید، اجتناب کنید. ضربه زدن یا پس زدن دستگاه باعث حرکت ابزار در جهت مخالف حرکت صفحه ساب در محلی که بلوکه شده است، میشود.**
- ◀ **در گوشهها، لبههای تیز و غیره با احتیاط خاص کار کنید. از در رفتن و خارج شدن ابزار و متعلقات از داخل قطعه کار و گیر کردن آنها جلوگیری کنید. امکان گیر کردن ابزار در حال چرخش خصوصاً در گوشهها و لبههای تیز وجود دارد. این امر باعث پس زدن و یا از دست دادن کنترل بر ابزار برقی میشود.**
- ◀ **از تیغه اره زنجیری و یا تیغه اره دندانهای استفاده نکنید. چنین ابزارهایی اغلب باعث پس زدن دستگاه و یا از دست دادن کنترل بر ابزار برقی میشوند.**
- ◀ **هشدارهای ایمنی خاص برای عملیات ساییدن و برش سایشی**
- ◀ **برای ابزار برقی خود، فقط از ابزار توصیه شده و حفاظ ایمنی که برای آن ابزار در نظر گرفته شده است، استفاده کنید. ابزار و متعلقات سایش و برش که برای این ابزار برقی در نظر گرفته نشدهاند، نمیتوانند به حد کافی تحت حفاظت و کنترل باشند و ایمن نیستند.**
- ◀ **صفحات سنگ را طوری نصب کنید که از لبه قاب محافظ صفحه سنگ بیرون نزنند. صفحه سنگی که به درستی نصب نشده است و از لبه قاب محافظ بیرون زده باشد، نمیتواند به اندازه کافی محفوظ بماند.**
- ◀ **حفاظ ایمنی باید با حداکثر ایمنی و در موقعیت صحیح به ابزار برقی متصل شود، به طوری که کمترین میزان سنگ سنباده به صورت باز به سمت کاربر قرار گیرد. حفاظ ایمنی به محافظت از کاربر در برابر تکههای شکسته صفحه برش و تماس اتفاقی با صفحه برش نیز جرقههایی که منجر به آتش گرفتن لباس میشوند کمک میکند.**
- ◀ **صفحههای برش باید فقط جهت کاربرد توصیه شده مورد استفاده قرار گیرند. برای مثال: از سطح جانبی یک صفحه برش برای ساییدن استفاده نکنید. صفحههای برش برای برداشتن مواد با لبه صفحه مناسب هستند، وارد آوردن**
- برخوردار باشد. امکان پرتاب شدن قطعات شکسته و جدا شده از قطعه کار یا متعلقات شکسته حتی در خارج از محدوده کار نیز وجود دارد و میتواند باعث ایجاد جراحات گردد.**
- ◀ **در صورت انجام کارهایی که امکان برخورد با کابلهای حامل جریان برق مخفی وجود دارد، ابزار برقی را از دسته عایق بگیرید. در صورت برخورد با یک کابل حامل "جریان برق" ممکن است قسمتهای فلزی ابزار برقی حامل "جریان برق" شوند و باعث بروز شوک الکتریکی یا برق گرفتگی گردند.**
- ◀ **کابل برق دستگاه را از متعلقات در حال چرخش دور نگه دارید. در صورت از دست رفتن کنترل دستگاه، ممکن است کابل برق قطع شود یا گیر کند و دست یا ساعد شما به داخل متعلقات در حال چرخش کشیده شود.**
- ◀ **ابزار برقی را تنها پس از توقف کامل ابزار روی زمین بگذارید. متعلقات در حال چرخش میتوانند با سطح تماس پیدا کنند و باعث از دست دادن کنترل روی دستگاه گردند.**
- ◀ **هنگام حمل ابزار برقی، دستگاه را خاموش نگه دارید. در غیر این صورت امکان تماس اتفاقی لباس شما و گیر کردن آن به متعلقات در حال چرخش روی دستگاه وجود داشته و منجر به اصابت ابزار به بدن شما میگردد.**
- ◀ **شیارهای تهویه ابزار برقی را به طور مرتب تمیز کنید. گرد و غبار میتواند از طریق پروانه موتور به داخل محفظه وارد شود و تجمع زیاد براده فلز در آن ممکن است به سوانع و خطرات الکتریکی منجر گردد.**
- ◀ **از به کارگیری ابزار الکتریکی در مجاورت مواد قابل اشتعال خودداری کنید. جرقهها میتوانند باعث اشتعال این مواد شوند.**
- ◀ **از متعلقاتی که نیاز به سیال خنک کننده دارند استفاده نکنید. استفاده از آب و یا سایر مواد خنک کننده مایع میتواند موجب بروز برق گرفتگی شود.**
- پس زدن دستگاه و هشدارهای ایمنی**
- ضربه زدن یا پس زدن يك واکنش ناگهانی است که در نتیجه گیر کردن و یا بلوکه شدن ابزار و متعلقات در حال چرخش بر روی ابزار برقی، از جمله صفحه ساب یا صفحه سنگ، یا کفی سنباده، برس سیمی و غیره بوجود میآید. بدین ترتیب ابزار برقی از کنترل خارج شده و در نقطه اتصال و خلاف جهت چرخش ابزاری که بر روی آن قرار دارد شتاب میگیرد، گیر کردن، انسداد و یا بلوکه شدن منجر به توقف ناگهانی ابزار در حال چرخش روی دستگاه میشود.
- بطور مثال در صورتیکه يك صفحه ساب در قطعه کار گیر کرده و یا بلوکه شود، امکان دارد لبه صفحه ساب بشکند و یا منجر به ضربه زدن (پس زدن) شود. در این صورت صفحه ساب به طرف کاربر و یا در خلاف جهت او، بسته به جهت چرخش آن در محل بلوکه شده، حرکت میکند. امکان شکستن صفحههای ساب از این طریق نیز وجود دارد.
- ضربه زدن (پس زدن) نتیجه استفاده و بکارگیری نادرست از ابزار برقی است. با رعایت اقدامات ایمنی مناسب به شرح زیر میتوان از آن جلوگیری بعمل آورد.

**هشدارهای ایمنی مخصوص عملیات سنباده زنی**  
 از ورق سنباده‌های بیش از حد بزرگ استفاده نکنید. هنگام انتخاب کاغذ سنباده، از توصیه‌های سازنده پیروی کنید. کاغذ سنباده‌های بزرگ تر از کفی سنباده که از لیه آن بیرون میزنند، میتوانند باعث ایجاد جراحات، گیر کردن، پاره شدن کاغذ سنباده و یا پس زدن دستگاه شوند.

**هشدارهای ایمنی مخصوص کار با برس سیمی**  
 توجه داشته باشید که از برسهای سیمی در هنگام استفاده عادی و متعارف نیز قطعات و ذرات سیم جدا میشوند. از اعمال فشار زیاد بر روی سیم های برس خودداری نمایید، ذرات و قطعات سیمی که به هوا پرتاب میشوند، میتوانند به آسانی داخل لباس و یا پوست بدن نفوذ پیدا کنند.

**در صورتی که استفاده از حفاظ ایمنی توصیه شده است، از تماس حفاظ ایمنی با برس سیمی جلوگیری کنید.** قطر برسهای سیمی مدور تخت و برسهای سیمی کاسه‌ای میتوانند در اثر فشار و نیروهای گریز از مرکز افزایش پیدا کند.

**سایر راهنماییهای ایمنی**  
 از عینک ایمنی استفاده کنید.



**برای پیدا کردن لوله ها و سیم های پنهان موجود در ساختمان و محدوده کار، از یک دستگاه ردیاب مخصوص برای یافتن لوله ها و سیمهای تأسیسات استفاده کنید و یا با شرکتهای کارهای تأسیسات ساختمان و خدمات مربوطه تماس بگیرید.** تماس با کابل و سیمهای برق ممکن است باعث آتشسوزی و یا برق گرفتگی شود. ایراد و آسیب دیدگی لوله گاز میتواند باعث انفجار شود. سوراخ شدن لوله آب، باعث خسارت و یا برق گرفتگی میشود.

**قبل از خنک شدن صفحات ساب و برس به آنها دست نزنید.** صفحات در هنگام کار بسیار داغ میشوند.

**چنانچه جریان برق قطع شود و یا دوشاخه اتصال کابل برق دستگاه از داخل پریز برق بیرون کشیده شود، در آنصورت قفل کلید قطع و وصل را آزاد کنید و کلید قطع و وصل را در موقعیت خاموش قرار بدهید.** این اقدام از روشن شدن مجدد بدون کنترل و ناخواسته جلوگیری بعمل می آورد.

**قطعه کار را محکم کنید.** در صورتیکه قطعه کار به وسیله تجهیزات نگهدارنده و یا بوسیله گیره محکم شده باشد، قطعه کار مطمئن تر نگه داشته میشود، تا اینکه بوسیله دست نگهداشته شود.

## توضیحات محصول و کارکرد

**همه دستورات ایمنی و راهنماییها را بخوانید.** اشتباهات ناشی از عدم رعایت این دستورات ایمنی ممکن است باعث



فشار جانبی بر روی این صفحهها ممکن است منجر به شکستن آنها شود.

**همیشه از فلائزهای نگهدارنده (مهرهای) سالم و بدون عیب که اندازه و فرم آنها برای صفحه برش انتخاب شده مناسب است، استفاده کنید.** فلائزهای مناسب باعث حفظ صفحه برش شده و بنابراین خطر شکستن آن را کاهش میدهد. فلائزهای مخصوص صفحههای برش میتوانند با فلائزهای مخصوص صفحه ساب متفاوت باشند.

**صفحههای ساب و برس مستعمل و فرسوده متعلق به ابزار برقی بزرگتر را مورد استفاده قرار ندهید.** صفحه متعلق به ابزار برقی بزرگتر برای ابزار برقی کوچکتر به هنگام کار با سرعت بالا، مناسب نیست و استفاده از آن صفحه ممکن است منجر به شکستن آن گردد.

**سایر هشدارهای ایمنی ویژه برای عملیات برش از گیر کردن صفحه های برش و یا آوردن فشار بیش از حد به آن ها جلوگیری کنید.** از ایجاد برش های خیلی عمیق خودداری کنید. اعمال فشار بیش از حد بر روی صفحه برش باعث استهلاک آن شده، امکان گیر کردن آن و در نتیجه خطر پس زدن دستگاه و یا شکستن آن ابزار وجود دارد.

**از قرار گرفتن در جلو و عقب صفحه برش در حال چرخش خودداری کنید.** هنگامی که صفحه برش واقع در قطعه کار از شما دور میشود، پس زدن احتمالی دستگاه ممکن است باعث شود صفحه در حال چرخش و ابزار برقی مستقیماً با شتاب به سمت پرتاب شوند.

**در صورت گیر کردن صفحه برش یا متوقف کردن کار به هر دلیلی، دستگاه را خاموش کنید و آنرا بدون حرکت نگه دارید تا صفحه به ایست کامل برسد.** هرگز تلاش نکنید صفحه برش در حال چرخش را از محل برش بیرون بکشید، در غیر این صورت امکان پس زدن دستگاه وجود دارد. علت گیر کردن را پیدا کنید و آنرا بر طرف نمایید.

**مجدداً عملیات برش را در قطعه کار شروع نکنید.** اجازه دهید صفحه برش به حداکثر سرعت خود برسد و سپس آنرا با احتیاط وارد محل برش نمایید. در صورت راه اندازی مجدد ابزار برقی در داخل قطعه کار، ممکن است صفحه برش گیر کند، بیرون ببرد یا پس بزند.

**قطعههای کار با ابعاد بزرگ را ثابت و محکم قرار دهید، تا خطر گیر کردن و پس زدن صفحه برش کاهش پیدا کند.** امکان خم شدن و تاب برداشتن قطعات بزرگ به دلیل وزن و سنگینی آنها وجود دارد. از اینرو باید در دو طرف قطعه کار، هم در نزدیکی خط برش و هم در نزدیکی لبه قطعه، تکیهگاه قرار داده شود.

**هنگام ایجاد "برشهای جیبی" (شیار زدن) در دیوار و یا سایر قسمت های غیر قابل رؤیت احتیاط کنید.** صفحه برش که وارد قطعه کار میشود، میتواند هنگام برش با لولههای گاز، لولههای آب، کابلهای برق و یا سایر اشیاء اصابت نموده و باعث پس زدن دستگاه شود.

- (10) آچار دوسوزنه برای مهره مهار<sup>(A)</sup>  
 (11) مهره مهار سریج SDS-*click*<sup>(A)</sup>  
 (12) صفحه کاسه‌ای از فلز سخت<sup>(A)</sup>  
 (13) قاب محافظ برای برش (دارای پیچ مهار)<sup>(A)</sup>  
 (14) صفحه برش<sup>(A)</sup>  
 (15) حفاظ دست<sup>(A)</sup>  
 (16) صفحه فاصله<sup>(A)</sup>  
 (17) بشقاب ساب لاستیکی<sup>(A)</sup>  
 (18) کاغذ سنباده<sup>(A)</sup>  
 (19) مهره گرد<sup>(A)</sup>  
 (20) برس کاسه‌ای<sup>(A)</sup>  
 (21) قاب محافظ برای برش با ریل راهنما<sup>(A)</sup>  
 (22) صفحهریش الماسه<sup>(A)</sup>  
 (23) دسته (دارای سطح عایق)  
 (24) کاهنده لرزش و ارتعاش  
 (25) قاب محافظ سایش کاری  
 (26) کد دندان‌ه ای/کد کلیدی (برآمدگی مشخص روی قاب محافظ)  
 (27) اهرم نگهدارنده برای حفاظ ایمنی (قاب محافظ)  
 (28) پیچ تنظیم حفاظ ایمنی (قاب محافظ)  
 (29) برش با قاب محافظ  
 (A) کلیه متعلقاتی که در تصویر و یا در متن آمده است، بطور معمول همراه دستگاه ارائه نمی‌شود. لطفاً لیست کامل متعلقات را از فهرست برنامه متعلقات اقباس نمائید.

برق‌گرفتگی، سوختگی و یا سایر جراحات های شدید شود.  
 به تصویرهای واقع در بخشهای اول دفترچه راهنما توجه کنید.

### موارد استفاده از دستگاه

ابزار برقی جهت سایشکاری، برسکاری مواد فلزی و سنگی بدون استفاده آب در نظر گرفته شده است. جهت برش با ابزارهای فرز باید حفاظ ایمنی مخصوص برش نصب گردد.

هنگام برش سنگ، باید دستگاه مکنده مناسب را تعبیه کرد.

ابزار برقی را می‌توان با ابزارهای سایش مجاز برای سنبادهکاری بکار برد.

### اجزاء دستگاه

شماره های اجزاء دستگاه که در تصویر مشاهده میشود، مربوط به شرح ابزار برقی می‌باشد که تصویر آن در این دفترچه آمده است.

- (1) دکمه قفل محور  
 (2) کلید قطع و وصل  
 (3) دسته کمکی (دسته های عایق)  
 (4) محور دستگاه  
 (5) حفاظ ایمنی جهت سائیدن (دارای پیچ مهار)  
 (6) پیچ تنظیم برای قاب محافظ  
 (7) فلائز گیرنده با رینگ O شکل  
 (8) صفحه ساب<sup>(A)</sup>  
 (9) مهره مهار

### مشخصات فنی

سنگ فرز زاویه ای					
GWS 24-180 H	GWS 22-230 JH	GWS 22-230 H	GWS 22-180 H		شماره فنی
3 601 H83 1..	3 601 H82 2..	3 601 H82 1..	3 601 H81 1..		توان ورودی نامی
2400	2200	2200	2200	W	توان خروجی
1600	1500	1500	1500	W	تعداد دور نامی
8500	6600	6600	8500	<sup>-1</sup> min	حداکثر قطر صفحه ساب
180	230	230	180	mm	رزوه محور سایش
M 14	M 14	M 14	M 14		حداکثر طول رزوه محور سایش
25	25	25	25	mm	محافظ استارت مجدد
-	●	-	-		محدودیت جریان برق راه اندازی
-	●	-	-		دسته اصلی قابل چرخش
-	-	-	-		ترمز متوقف کننده تدریجی
-	-	-	-		وزن مطابق استاندارد EPTA-Procedure 01:2014
5,0	5,3	5,1	5,1	kg	- دارای دسته کمکی کاهنده لرزش
4,9	5,2	5,0	5,0	kg	- دارای دسته کمکی استاندارد
II/□	II/□	II/□	II/□		کلاس ایمنی
سنگ فرز زاویه ای					
GWS 26-180 H	GWS 24-230 JH	GWS 24-230 H			شماره فنی
3 601 H55 1..	3 601 H84 2..	3 601 H84 1..			

GWS 26-180 H	GWS 24-230 JH	GWS 24-230 H	سنگ فرز زاویه ای
2600	2400	2400	توان ورودی نامی W
1700	1600	1600	توان خروجی W
8500	6600	6600	تعداد دور نامی <sup>-1</sup> min
180	230	230	حداکثر قطر صفحه ساب mm
M 14	M 14	M 14	رزوه محور سایش
25	25	25	حداکثر طول رزوه محور سایش mm
-	●	-	مفاظ استارت مجدد
-	●	-	محدودیت جریان برق راه اندازی
-	-	-	دسته اصلی قابل چرخش
-	-	-	ترمز متوقف کننده تدریجی
وزن مطابق استاندارد 01:2014 EPTA-Procedure			
6,0	5,3	5,2	دارای دسته کمکی کاهنده لرزش kg
5,9	5,2	5,1	دارای دسته کمکی استاندارد kg
II/□	II/□	II/□	کلاس ایمنی

GWS 26-230 H	GWS 26-230 H	GWS 26-230 B	سنگ فرز زاویه ای
<b>3 601 H56 L..</b>	<b>3 601 H56 1..</b>	<b>3 601 H56 3..</b>	شماره فنی
2600	2600	2600	توان ورودی نامی W
1700	1700	1700	توان خروجی W
6600	6600	6600	تعداد دور نامی <sup>-1</sup> min
230	230	230	حداکثر قطر صفحه ساب mm
M 14	M 14	M 14	رزوه محور سایش
25	25	25	حداکثر طول رزوه محور سایش mm
-	-	-	مفاظ استارت مجدد
-	-	-	محدودیت جریان برق راه اندازی
-	-	●	دسته اصلی قابل چرخش
-	-	-	ترمز متوقف کننده تدریجی
وزن مطابق استاندارد 01:2014 EPTA-Procedure			
6,1	6,1	6,2	دارای دسته کمکی کاهنده لرزش kg
6,0	6,0	6,1	دارای دسته کمکی استاندارد kg
II/□	II/□	II/□	کلاس ایمنی

GWS 24-230 JVX	GWS 20-230 H	سنگ فرز زاویه ای
<b>3 601 H64 5..</b>	<b>3 601 H50 1..</b>	شماره فنی
2400	2000	توان ورودی نامی W
1600	1250	توان خروجی W
6600	6600	تعداد دور نامی <sup>-1</sup> min
230	230	حداکثر قطر صفحه ساب mm
M 14	M 14	رزوه محور سایش
18	25	حداکثر طول رزوه محور سایش mm
-	-	مفاظ استارت مجدد
●	-	محدودیت جریان برق راه اندازی
●	-	دسته اصلی قابل چرخش
●	-	ترمز متوقف کننده تدریجی
وزن مطابق استاندارد 01:2014 EPTA-Procedure		

سنگ فرز زاویه ای		GWS 20-230 H	GWS 24-230 JVX
- دارای دسته کمکی کاهنده لرزش	kg	5,2	6,5
- دارای دسته کمکی استاندارد	kg	5,1	6,4
کلاس ایمنی		II/□	II/□

مقادیر برای ولتاژ نامی [U] 230 ولت میباشند. برای ولتاژهای مختلف و تولیدات مخصوص کشورها، ممکن است این مقادیر متفاوت باشند. تنها برای ابزارهای برقی بدون محدود کننده جریان برق راه اندازی: مراحل راه اندازی باعث تولید کاهش ولتاژ کوتاه مدت میشوند. در صورت وجود شرایط نامناسب ممکن است، سایر دستگاهها دچار اختلال شوند. در صورت مقاومت شبکه کمتر از 0,25 اهم انتظار بروز اختلال نمی رود.

## نصب

### نصب تجهیزات ایمنی

◀ **پیش از انجام هرگونه کاری بر روی ابزار الکتریکی، دوشاخه اتصال آنرا از داخل پریز برق بیرون بکشید.**

**تذکر:** در صورت شکستن صفحه ساب در حین کار با دستگاه و یا آسیب دیدن ابزارگیر دستگاه در محل حفاظ ایمنی و یا آسیب دیدن ابزار برقی، باید ابزار برقی بلافاصله به دفتر خدمات پس از فروش فرستاده شود. آدرس مربوطه را از قسمت "خدمات و مشاوره به مشتریان" اقتباس نمایید.

### قاب محافظ سایبکاری (GWS 24-230 JVX)

اهرم مهار (27) را باز کنید. قاب محافظ را با پین کد (26) در شیار مربوط روی گلوبی محور قرار دهید تا بست قاب محافظ روی فلائز ابزار برقی بنشیند و قاب محافظ را به حالت دلخواه برانید. اهرم مهار (27) را ببندید.

◀ **قاب محافظ (25) را طوری تنظیم کنید که از جهش جرقه به طرف کاربر جلوگیری کند.**

شما می توانید مقدار کشیدگی بست قاب محافظ را با شل یا سفت کردن پیچ تنظیم (28) تغییر دهید. از محکم نشستن قاب محافظ مطمئن شوید و آن را مرتب کنترل کنید.

**نکته:** پینهای کد قاب محافظ نشان دهنده این است که تنها قاب محافظ متناسب با ابزار برقی قابل نصب است.

### حفاظ ایمنی جهت سائیدن (دارای پیچ مهار)

GWS 20-230 H / GWS 22-180 H /

GWS 22-230 H/JH / GWS 24-180 H /

GWS 24-230 H/JH / GWS 26-180 H /

(GWS 26-230 B/H)

قاب محافظ (5) را روی گلوبی مهار قرار دهید. حالت قرار گرفتن قاب محافظ (5) را با شرایط مراحل کاری وفق دهید و قاب محافظ (5) را با پیچ تنظیم (6) قفل کنید.

◀ **قاب محافظ (5) را طوری تنظیم کنید که از جهش جرقه به طرف کاربر جلوگیری کند.**

### برش با قاب محافظ

◀ **هنگام برشکاری همواره ابزار سایب نصب شده را با قاب محافظ برشکاری (13)(29) بکار برید.**

◀ **هنگام برش سنگ، باید دستگاه مکنده مناسب را تعبیه کرد.**

قاب محافظ برشکاری (13) (29) همانند قاب محافظ سایب کاری نصب می شود.

### قاب مکنده جهت برش با ریل راهنما

قاب محافظ برشکاری با ریل راهنما (21) همانند قاب محافظ سایب کاری نصب می شود.

### دسته کمکی

◀ **از ابزار بادی تنها با دسته ی کمکی (3) استفاده کنید.**

دسته کمکی (3) را با توجه به نوع کار، در سمت راست یا چپ سر دستگاه ببچانید.

### کاهنده لرزش و ارتعاش (GWS 24-230 JVX)

کاهنده لرزش تعبیه شده، مقدار لرزش های ایجاد شده را کاهش می دهد.



◀ **چنانچه عضو کاهنده لرزش و ارتعاش ابزار برقی آسیب دیده باشد، از ابزار برقی دیگر استفاده نکنید.**

### حفاظ دست

◀ **همیشه هنگام کار با بشقاب لاستیکی (17) یا برس کاسهای/برس تخت/صفحه ساب پرهایی از دستکش ایمنی (15) استفاده کنید.**

حفاظ دست (15) را به دسته کمک (3) نصب کنید.

### نصب ابزار ساب

◀ **پیش از انجام هرگونه کاری بر روی ابزار الکتریکی، دوشاخه اتصال آنرا از داخل پریز برق بیرون بکشید.**

◀ **قبل از خنک شدن صفحات ساب و برش به آنها دست نزنید. صفحات در هنگام کار بسیار داغ میشوند.**

محور دستگاه (4) و سایر قطعات را تمیز کنید. جهت محکم و باز کردن ابزار، دکمه ی قفل محور (1)، را جهت تنظیم فشار دهید.

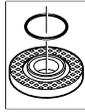
◀ **دکمه قفل کننده و تثبیت محور دستگاه را فقط در صورت توقف کامل محور دستگاه فشار دهید. در غیر اینصورت امکان آسیب دیدن ابزار برقی وجود دارد.**

### مهره مهار سریع SDS-clc

برای تعویض راحت ابزار ساب بدون استفاده از سایر ابزارها می توانید بجای مهره مهار (9) از مهره مهار سریع (11) استفاده کنید.

◀ **(11) مهره مهار سریع را فقط می توان برای صفحات ساب و برش بکار برد.**

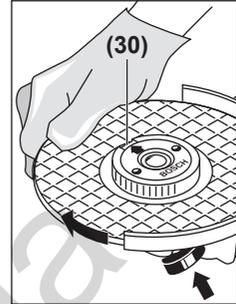
در فلائز گیرنده (7) دور اتصال مرکزی، یک بخش پلاستیکی (اورینگ) قرار دارد. چنانچه اورینگ نباشد یا آسیب دیده باشد، فلائز گیرنده (7) باید قبل از کاربری دوباره حتما تعویض گردد.



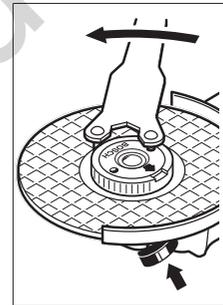
تنها از مهره مهار سریع سالم و بی عیب استفاده کنید. (11)

هنگام نصب دقت کنید که سمت نوشتهدار مهره مهار سریع (11) به طرف صفحه ساب نباشد؛ فلش بایستی به طرف علامت شاخص (30) باشد.

جهت محکم و باز کردن ابزار، دکمه ی قفل محور (1)، را جهت تنظیم فشار دهید. برای سفت کردن مهره مهار سریع، صفحه ساب را محکم در جهت چرخش عقربه های ساعت بچرخانید.



مهره مهار سریع طبق مقررات تعبیه شده و بدون عیب را می توان با چرخاندن رینگ کنگره دار در خلاف جهت عقربه های ساعت یا دست باز کرد. مهره مهار سریع سفت شده را هرگز توسط یک آچار شلاقی باز نکنید، بلکه از یک آچار دو سوزنه استفاده نمایید. آچار دوسوزنه را مانند تصویر قرار دهید.



**صفحه ساب پرهایی**

◀ (15) هموار صفحه ساب پرهایی را همرا با حفاظ دست نصب کنید.

**بشقاب ساب لاستیکی**

◀ بشقاب ساب لاستیکی (17) را همواره با حفاظ دست (15) نصب کنید.

ترتیب نصب را می توان در صفحه تاشو دید. قبل از نصب بشقاب ساب لاستیکی (17) هر 2 صفحه فاصله (16) را روی محور دستگاه (4) قرار دهید.

GWS 20-230 H / GWS 22-180 H /  
GWS 22-230 H/JH / GWS 24-180 H /  
GWS 24-230 H/JH / GWS 26-180 H /  
GWS 26-230 B/H.

مهره گرد (19) را باز کنید و آن را با آچار دوسوزنه سفت نمایید.

**نکته:** شل کردن مهره ی گرد (19) بایستی با یک نیروی قابل ملاحظه ای انجام شود (GWS 24-230 JVX).

**برس کاسهای/برس تخت**

◀ (15) هموار برس کاسهای/برس تخت را همرا با حفاظ دست نصب کنید.

ترتیب نصب را می توان در صفحه تاشو دید.

برس کاسهای/برس تخت نباید آنقدر روی محور دستگاه پیچانده شوند که روی فلائز محور دستگاه در آخرین رزوه محور دستگاه قرار گیرد. برس کاسهای/برس تخت را با یک آچار تخت سفت کنید.

**نکته:** شل کردن ابزار سایش بایستی با یک نیروی قابل ملاحظه ای انجام شود (GWS 24-230 JVX).

**صفحه برش/صفحه ساب**

به اندازه های ابزارهای ساب توجه کنید. قطر سوراخ باید با فلائز گیرنده متناسب باشد. از آداپتور یا قطعات کاهنده استفاده نکنید.

هنگام استفاده از صفحات برش الماسه دقت کنید که فلش جهت چرخش روی آن و جهت چرخش ابزار برقی (رجوع کنید به فلش جهت چرخش روی سر دستگاه) مطابق باشند.

ترتیب نصب را می توان در صفحه تصاویر مشاهده کرد.

جهت سفت کردن صفحه ساب/برش، مهره مهار (9) را باز کنید و آن را با آچار پین بچرخانید، رجوع کنید به بخش (رجوع کنید به «مهره مهار سریع SDS-clic» صفحه 97).

**ابزارهای ساب مجاز**

شما می توانید همه ابزارهای ساب ذکر شده در این دفترچه راهنما را بکار برید.

دور (سرعت) مجاز [دقیقه<sup>-1</sup>] یا سرعت چرخش [m/s] ابزارهای کاربردی بایستی با مقادیر در جدول زیر مطابقت داشته باشد.

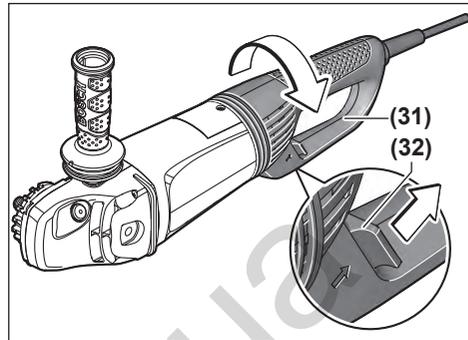
از اینرو به تعداد دور (سرعت) چرخش نوشته شده روی برچسب ابزار ساب توجه کنید.

		حداکثر [mm]		[mm]			
[m/s]	[ <sup>-1</sup> min]	d	b	D			
80	8500	22,2	8	180	[Diagram: Sanding disc with dimensions d, b, D]		
80	6600	22,2	8	230	[Diagram: Sanding disc with dimensions d, b, D]		
80	8500	-	-	180	[Diagram: Sanding disc with dimensions d, b, D]		
80	6600	-	-	230	[Diagram: Sanding disc with dimensions d, b, D]		
45	8500	M 14	30	100	[Diagram: Sanding disc with dimensions d, b, D]		

◀ پس از مونتاژ ابزار سایش و قبل از روشن کردن ابزار برقی کنترل کنید که این ابزار بطور صحیح مونتاژ شده باشد و بطور آزاد قابل چرخش باشد. اطمینان حاصل کنید که ابزار سائیدن و متعلقات با حفاظ ایمنی و یا با قطعات دیگر تماس نداشته باشد.

## نحوه چرخش دسته اصلی (GWS 24-230 JVX / GWS 26-230 B)

◀ پیش از انجام هرگونه کاری بر روی ابزار الکتریکی، دوشاخه اتصال آنرا از داخل پریز برق بیرون بکشید.



دسته اصلی (31) نسبت به بدنه موتور به مقدار 90° به چپ و راست می چرخد. اینگونه می توان کلید قطع و وصل را برای حالت‌های خاص کاری در وضعیت کاربری مناسبتری قرار داد، مثلا برای برش کاری با قاپ مکنده همراه با ریل راهنما (21) یا برای چپ دستها.

آزاد کننده قفل دسته (32) را در جهت فلش بکشید و همزمان دسته اصلی (31) را به حالت دلخواه برانید تا جا بیفتد.

## چرخاندن سر دستگاه

(GWS 20-230 H / GWS 22-180 H /  
GWS 22-230 H/JH / GWS 24-180 H /  
GWS 24-230 H/JH / GWS 26-180 H /  
GWS 26-230 B/H)

## ◀ پیش از انجام هرگونه کاری بر روی ابزار الکتریکی، دوشاخه اتصال آنرا از داخل پریز برق بیرون بکشید.



سر دستگاه را می توانید به اندازه 90 درجه بچرخانید. اینگونه می توان کلید قطع و وصل را برای حالت‌های خاص کاری در وضعیت کاربری مناسبتری قرار داد، مثلا برای برشکاری با قاپ مکنده همراه با ریل راهنما (21) یا برای چپ دستها.

4 پیچ را کاملا بیرون بکشید. سر دستگاه را با احتیاط و بدون جدا کردن از بدنه به حالت جدید بچرخانید. 4 پیچ را دوباره محکم کنید.

## مکش گرد، براده و تراشه

گرد و غبار موادی مانند رنگ های دارای سرب، بعضی از چوب ها، مواد معدنی و فلزات میتواند برای سلامتی مضر باشند. دست زدن و یا تنفس کردن گرد و غبار ممکن است باعث بروز آلرژی و یا

بیماری مجاری تنفسی شخص استفاده کننده و یا افرادی که در آن نزدیکی میباشند، بشود. گرد و غبارهای مخصوصی مانند گرد و غبار درخت بلوط و یا درخت راش سرطان زا هستند، بخصوص ترکیب آنها با سایر موادی که برای کار بر روی چوب (کرومات، مواد برای محافظت از چوب) بکار برده میشوند. فقط افراد متخصص مجازند با موادی که دارای آزیست میباشند کار کنند.

- حتی الامکان از یک دستگاه مکش مناسب و درخور ماده (قطعه کار) استفاده کنید.

- توجه داشته باشید که محل کار شما از تهویه هوای کافی برخوردار باشد.

- توصیه میشود از ماسک تنفسی ایمنی با درجه فیلتر P2 استفاده کنید.

به قوانین و مقررات معتبر در کشور خود در رابطه با استفاده از مواد و قطعات کاری توجه کنید.

◀ از تجمع گرد و غبار در محل کار جلوگیری کنید. گرد و غبار می توانند به آسانی مشتعل شوند.

## طرز کار با دستگاه

### راه اندازی و نحوه کاربرد دستگاه

◀ به ولتاژ شبکه برق توجه کنید! ولتاژ منبع جریان برق باید با مقادیر موجود بر روی برچسب ابزار الکتریکی مطابقت داشته باشد. ابزارهای برقی را که با ولتاژ 230 V ولت مشخص شده اند، می توان تحت ولتاژ 220 V ولت نیز بکار برد.

هنگام کار با ابزار برقی با مولدهای جریان برق سیار (ژنراتورها)، که دارای ذخیره کافی یا تنظیم ولتاژ مناسب با تقویت جریان استارت نیستند، امکان بروز اختلال توان یا کارکرد غیر عادی موقع روشن کردن، وجود دارد.

لطفاً به تناسب مولد جریان کاربردی بخصوص در مورد ولتاژ و فرکانس شبکه توجه کنید.

### نحوه روشن و خاموش کردن

برای راهاندازی ابزار برقی، کلید قطع و وصل (2) را به جلو برانید و سپس آن را فشرده نگه دارید. برای تنظیم کلید قطع و وصل، (2) کلید قطع و وصل (2) را به جلو برانید.

جهت خاموش کردن ابزار برقی، کلید قطع و وصل (2) را رها کنید و اگر قفل است، کلید قطع و وصل (2) را کوتاه فشار دهید و آن را دوباره رها کنید. کلید بدون قفل (بر حسب کشور مربوط):

برای راهاندازی ابزار برقی، کلید قطع و وصل (2) را به جلو برانید و سپس آن را فشرده نگه دارید.

برای خاموش کردن ابزار برقی، کلید قطع و وصل (2) را رها کنید.

◀ قبل از استفاده، ابزارهای ساب را کنترل کنید. ابزار ساب بایستی درست نصب باشد و بتواند آزادانه حرکت کند. قبل از بکارگیری، ابزار برقی را برای 1 دقیقه بدون پار امتحان کنید. از بکار بردن ابزارهای ساب آسیب دیده، ناصاف یا دارای ارتعاش خودداری کنید. ابزارهای سایش آسیب دیده ممکن است بشکنند و باعث بروز جراحت شوند.

## ترمز متوقف کننده تدریجی

(GWS 24-230 JVX)

ابزار برقی مجهز به سیستم Bosch Brake System می باشد که ترمز متوقف کننده الکترومغناطیسی ثبت شده است. در صورت قطع برق یا خاموش شدن، ابزار ساب در مدت چند ثانیه متوقف می شود. این به معنی کوتاه شدن زمان چرخش نسبت به سنگ فرزهای بدون ترمز متوقف کننده به مقدار 70 % است و کنار گذاشتن زودتر ابزار برقی را ممکن می کند.



**نکته:** چنانچه کارکرد ترمز به طور مسموس مختل شود، ترمز متوقف کننده از کار افتاده است. در اینصورت بایستی ابزار برقی در اسرع وقت به خدمات پس از فروش ارجاع گردد، آدرس های مربوطه را در بخش "خدمات و مشاوره به مشتریان" می یابید.

## حفاظ جلوگیری از روشن شدن مجدد

(GWS 22-230 JH / GWS 24-230 JH)

محافظ استارت مجدد، از شروع به کار کنترل نشده ابزار برقی پس از قطع جریان برق جلوگیری می کند. برای راه اندازی دوباره کلید روشن/خاموش (2) را در موقعیت خاموش قرار داده و ابزار برقی را مجدداً روشن کنید.

## محدود کننده جریان برق راه اندازی

(GWS 22-230 JH / GWS 24-230 JH/JVX)

محدود کننده الکترونیکی جریان برق راه اندازی، توان ابزار برقی را هنگام روشن کردن آن محدود ساخته و امکان کار کرد دستگاه را تحت فیوز 16 آمپر فراهم میکند.

**تذکر:** چنانچه ابزار برقی بلافاصله پس از روشن کردن با حداکثر سرعت بکار افتد، نشانگر اینست که اختلالی در محدود کننده جریان برق راه اندازی بوجود آمده است. در اینصورت بایستی ابزار برقی در اسرع وقت به خدمات پس از فروش ارجاع گردد، آدرس های مربوطه را در بخش "خدمات و مشاوره به مشتریان" می یابید.

## راهنماییهای عملی

- ◀ پیش از انجام هرگونه کاری بر روی ابزار الکتریکی، دوشاخه اتصال آنرا از داخل پریز برق بیرون بکشید.
- ◀ هنگام شیپاراندازی در دیوارهای حمال احتیاط کنید، رجوع کنید به صفحه "راهنمایها برای استاتیک".
- ◀ چنانچه قطعه کار با وزن خود مطمئن قرار نمی گیرید، آن را مهار کنید.
- ◀ ابزار برقی را زیاد زیر فشار قرار ندهید که متوقف شود.
- ◀ بگذارید ابزار برقی پس از زیر بار بودن شدید، چند دقیقه بدون بار کار کند تا ابزار برقی خنک شود.
- ◀ قبل از خنک شدن صفحات ساب و برش به آنها دست نزنید. صفحات در هنگام کار بسیار داغ میشوند.
- ◀ این ابزار برقی را بوسیله یک پایه برش بکار نبرید.

**تذکر:** در صورت عدم استفاده، دوشاخه را از پریز بیرون بکشید. ابزار برقی در صورت اتصال به پریز و وجود ولتاژ در شبکه، حتی در حالت خاموش نیز کمی برق مصرف می کند.

## سایشکاری

◀ هرگز از صفحه برش برای سایشکاری استفاده نکنید.

با یک زاویه ی تنظیم 30 تا 40 درجه هنگام سایشکاری به بهترین نتیجه می رسید. ابزار برقی را با فشار متعادل و حرکت رفت و برگشتی بکار برید. اینگونه قطعه کار زیاد داغ نمی شود، رنگ از دست نمی دهد و خط بز نمی دارد.

## صفحه ساب پره ای

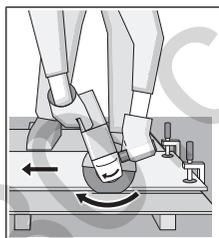
توسط صفحه ساب پره ای (متعلقات) می توانید روی سطوح قوسدار و پروفیلها را هم کار کنید. صفحه ساب پره ای نسبت به صفحات ساب معمولی دارای عمر طولانی، سطح ارتعاش صوتی کم و دمای سایش پایین هستند.

## برش کاری فلز

**هنگام برشکاری همواره ابزار سایش نصب شده را با قاب محافظ برشکاری (13)(29) بکار برید.**

هنگام برشکاری، ابزار برقی را با فشار متعادل و متناسب قطعه کار حرکت دهید. فشاری روی صفحه برش وارد نکنید، آن را کج نکنید و تکان ندهید. صفحه برش در حال حرکت را با فشار جانبی به قطعه کار متوقف نکنید.

ابزار برقی بایستی همواره در جهت مخالف هدایت شود. در غیر اینصورت ممکن است که دستگاه به صورت غیر قابل کنترل از خط برش بیرون آید. برای برش پروفیل و لوله های چهارگوش، بهتر است برش را از کوچکترین برش مورب شروع کنید.



## برش سنگ

- ◀ هنگام برش سنگ، باید دستگاه مکنده مناسب را تعبیه کرد.
- ◀ از ماسک ایمنی تنفس در برابر گرد و غبار استفاده کنید.
- ◀ از ابزار برقی می توان فقط برای سایش/برش خشک استفاده نمود.
- ◀ برای برش سنگ بهتر است از صفحه برش الماسه استفاده کنید.
- ◀ در صورت کاربرد قاب مکنده برای برش با ریل راهنما (21) بایستی مکنده برای مکش گرد و غبار سنگ مجاز باشد. Bosch مکنده مناسب را عرضه میکند.

نقشه‌های سه بعدی و اطلاعات مربوط به قطعات یدکی را در تارنمای زیر مییابید:  
**www.bosch-pt.com**  
 گروه مشاوره به مشتریان Bosch با کمال میل به سؤالات شما درباره محصولات و متعلقات پاسخ می‌دهند.  
 برای هرگونه سؤال و یا سفارش قطعات یدکی، حتماً شماره فنی 10 رقمی کالا را مطابق برچسب روی ابزار برقی اطلاع دهید.

### ایران

روبرت بوش ایران - شرکت بوش تجارت پارس  
 میدان ونک، خیابان شهید خدای، خیابان آفتاب  
 ساختمان مادیران، شماره 3، طبقه سوم.  
 تهران 1994834571  
 تلفن: 42039000+9821

### از رده خارج کردن دستگاه

ابزار برقی، متعلقات و بسته بندی آن، باید طبق مقررات حفظ محیط زیست از رده خارج و بازیافت شوند.

ابزارهای برقی را داخل زباله دان خانگی نیاندازید!

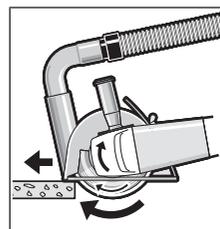


### فقط برای کشورهای عضو اتحادیه اروپا:

طبق آیین نامه و دستورالعمل اروپائی 2012/19/EU در باره دستگاههای کهنه الکتریکی و الکترونیکی و تبدیل آن به حق ملی، باید ابزارهای برقی غیرقابل استفاده را جداگانه جمع آوری کرد و نسبت به بازیافت مناسب با محیط زیست اقدام بعمل آورد.

ابزار برقی را روشن کنید و آن را با قسمت جلویی ریل راهنما روی قطعه کار قرار دهید. ابزار برقی را با فشار متعادل و متناسب قطعه کار حرکت دهید.

هنگام برش مواد سخت مانند بتن دارای سنگریزه زیاد، ممکن



است صفحه برش الماسه بیش از حد داغ شود و اینگونه آسیب ببیند. حلقه آتشین ایجاد شده دور صفحه برش در حال چرخش، نمایانگر این مسئله است. در این حالت، فرآیند برش را متوقف کنید و بگذارید که صفحه برش برای مدت کوتاهی بدون بار با سرعت زیاد کار کند تا خنک شود.

کم شدن قابل توجه سرعت کار و پرش چرخه به اطراف نشانه های کند شدن صفحات برش می باشند. شما می توانید این صفحات برش را توسط مواد زبر مانند سنگ آهک، دوباره تیز کنید.

### راهنمایها برای استاتیک

شیاراندازی در دیوارهای حمال تابع نورم DIN 1053 بخش 1 و یا مقررات مخصوص به کشور مربوط می باشند. این مقررات بایستی حتما رعایت شوند. قبل از شروع کار به مهندس استاتیک، مهندس عمران یا اداره عمران مسئول مراجعه کنید.

## مراقبت و سرویس

### مراقبت، تعمیر و تمیز کردن دستگاه

◀ پیش از انجام هرگونه کاری بر روی ابزار الکتریکی، دوشاخه اتصال آنرا از داخل پریز برق بیرون بکشید.

◀ ابزار الکتریکی و شیارهای تهویه آنرا تمیز نگاه دارید، تا ایمنی شما در کار تضمین گردد.

◀ در صورت شرایط کاری بسیار سخت در صورت امکان همواره از یک سیستم کننده استفاده کنید. تمیز کردن مکرر شیارهای تهویه از طریق دمش فشار هوا و کلید محافظ

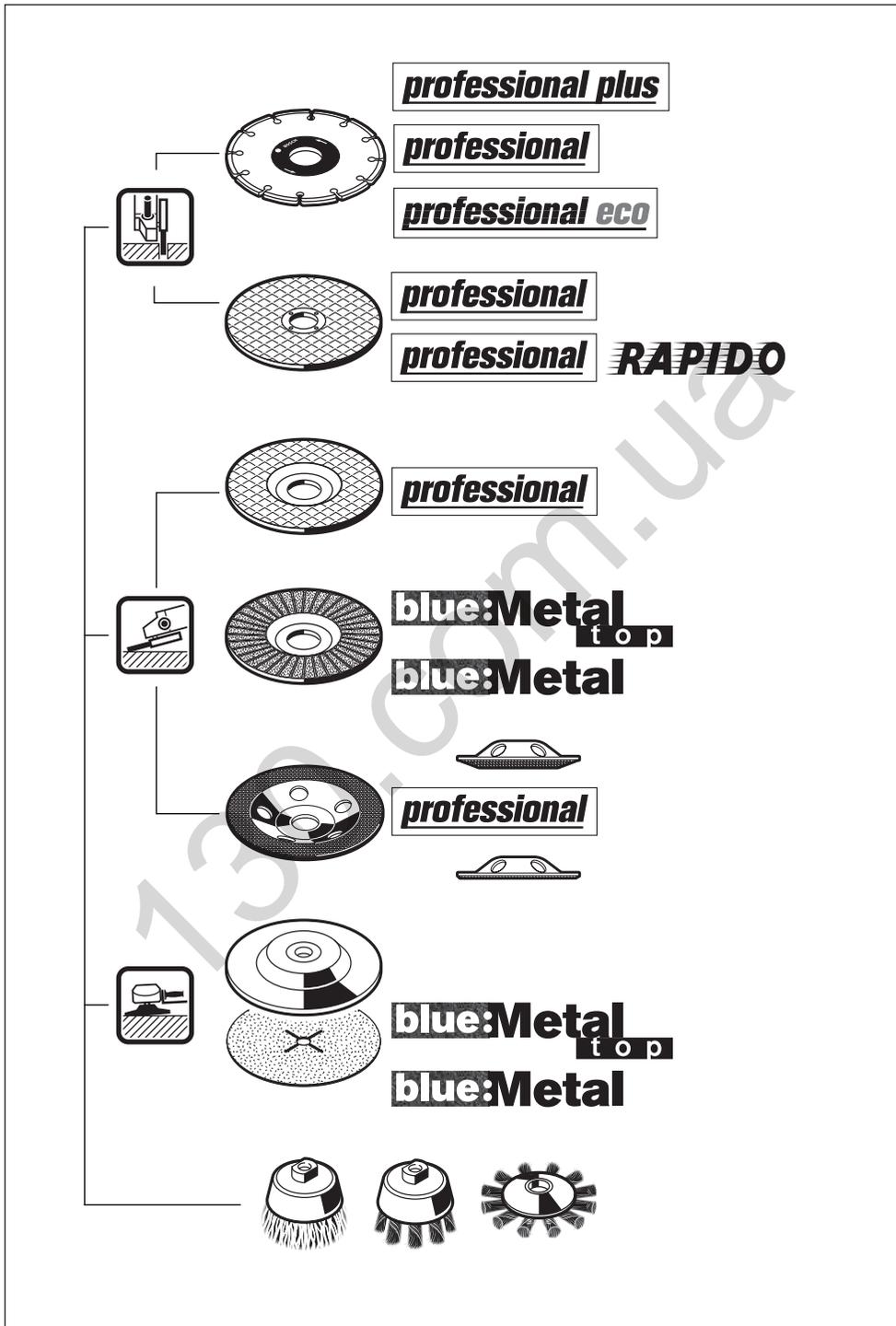
(PRCD) جریان خطا و نشستی زمین (کلید قطع کننده اتصال با زمین) را روشن کنید. هنگام کار با فلزات، امکان تجمع گرد فلزات که هادی می باشد در قسمت های داخلی ابزار برقی وجود دارد. امکان آسیب دیدن و از بین رفتن حفاظ روکش عایق ابزار برقی وجود دارد.

لطفاً ابزار و متعلقات دستگاه را به دقت محافظت و به خوبی نگهداری کنید.

در صورت نیاز به یک کابل یدکی برای اتصال به شبکه برق، بایستی به شرکت Bosch و یا به نمایندگی مجاز Bosch (خدمات پس از فروش) برای ابزار آلات برقی مراجعه کنید تا از بروز خطرات ایمنی جلوگیری بعمل آید.

### خدمات و مشاوره با مشتریان

خدمات مشتری، به سؤالات شما درباره تعمیرات، سرویس و همچنین قطعات یدکی پاسخ خواهد داد.





**GWS 24-230 JVX**

