



PHONES

0 (800) 800 130
(050) 462 0 130
(063) 462 0 130
(067) 462 0 130

130
COM.UA

Internet store of
autogoods



SKYPE

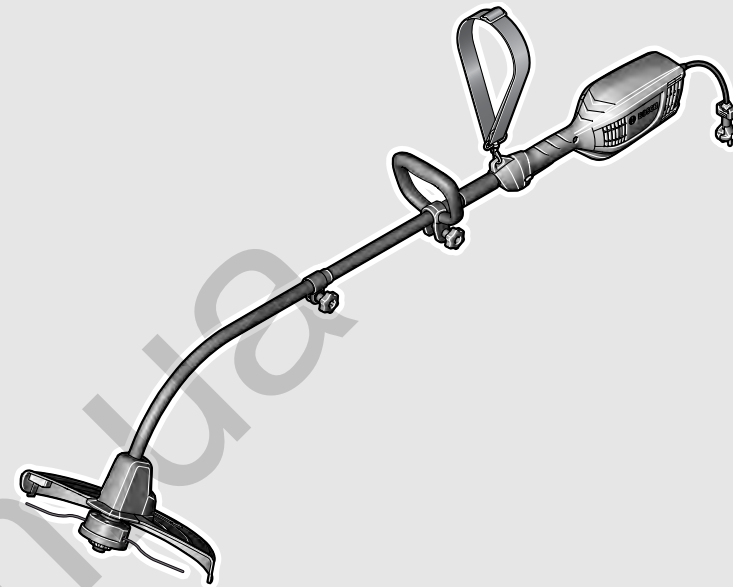
km-130

CAR RECEIVERS — Receivers • Media receivers and stations • Native receivers • CD/DVD changers • FM-modulators/USB adapters • Flash memory • Facia plates and adapters • Antennas • Accessories |
CAR AUDIO — Car audio speakers • Amplifiers • Subwoofers • Processors • Crossovers • Headphones • Accessories | TRIP COMPUTERS — Universal computers • Model computers • Accessories |
GPS NAVIGATORS — Portable GPS • Built-in GPS • GPS modules • GPS trackers • Antennas for GPS navigators • Accessories | VIDEO — DVR • TV sets and monitors • Car TV tuners • Cameras • Videomodules
• Transcoders • Car TV antennas • Accessories | SECURITY SYSTEMS — Car alarms • Bike alarms • Mechanical blockers • Immobilizers • Sensors • Accessories | OPTIC AND LIGHT — Xenon • Bixenon • Lamps
• LED • Stroboscopes • Optic and Headlights • Washers • Light, rain sensors • Accessories | PARKTRONICS AND MIRRORS — Rear parktronic • Front parktronic • Combined parktronic • Rear-view mirrors
• Accessories | HEATING AND COOLING — Seat heaters • Mirrors heaters • Screen-wipers heaters • Engine heaters • Auto-refrigerators • Air conditioning units • Accessories | TUNING — Vibro-isolation
• Noise-isolation • Tint films • Accessories | ACCESSORIES — Radar-detectors • Handsfree, Bluetooth • Windowlifters • Compressors • Beeps, loudspeakers • Measuring instruments • Cleaners • Carsits
• Miscellaneous | MOUNTING — Installation kits • Upholstery • Grilles • Tubes • Cable and wire • Tools • Miscellaneous | POWER — Batteries • Converters • Start-charging equipment • Capacitors
• Accessories | MARINE AUDIO AND ELECTRONICS — Marine receivers • Marine audio speakers • Marine subwoofers • Marine amplifiers • Accessories | CAR CARE PRODUCTS — Additives • Washer fluid •
Care accessories • Car polish • Flavors • Adhesives and sealants | LIQUID AND OIL — Motor oil • Transmission oil • Brake fluid • Antifreeze • Technical lubricant



In store "130" you can find and buy almost all necessary goods for your auto in Kyiv and other cities, delivery by ground and postal services. Our experienced consultants will provide you with exhaustive information and help you to chose the very particular thing. We are waiting for you at the address

<https://130.com.ua>



Robert Bosch Power Tools GmbH
70538 Stuttgart
GERMANY

www.bosch-garden.com

F 016 L81 413 (2014.11) AS / 35 XXX

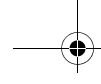


ART 37

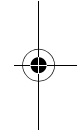
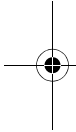
 **BOSCH**

- en** Original instructions
- ru** Оригинальное руководство по эксплуатации
- uk** Оригінальна інструкція з експлуатації
- sr** Originalno uputstvo za rad

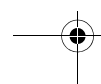
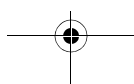




English Page 3
 Русский Страница 9
 Українська Сторінка 16
 Srpski Strana 22



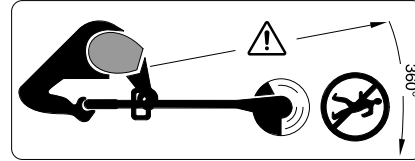
130.com.ua



English

Safety Notes

Warning! Read these instructions carefully, be familiar with the controls and the proper use of the machine. Please keep the instructions safe for later use!



Beware of thrown or flying objects to bystanders.

Warning: Keep a safe distance from the machine when operating.

Explanation of symbols



General hazard safety alert.



Read instruction manual.



Pay attention that bystanders are not injured through foreign objects thrown from the machine.



Warning: Keep a safe distance from the machine when operating.



Switch off and remove plug from mains before adjusting, cleaning or if the cable is entangled and before leaving the garden product unattended for any period. **Keep the supply flexible cord away from the cutting line.**



Wear eye and ear protection.



Do not work in the rain or leave the trimmer outdoors whilst it is raining.

Operation

- ▶ This machine is not intended for use by persons (including children) with reduced physical, sensory or mental capabilities, or lack of experience and knowledge, unless they have been given supervision or instruction concerning use of the machine by a person responsible for their safety. Children should be supervised to ensure that they do not play with the machine.
- ▶ Never allow children or people unfamiliar with these instructions to use the trimmer. Local regulations may restrict the age of the operator. When not in use, store the trimmer out of reach of children.
- ▶ Never operate the trimmer with missing or broken guards or shields or without guards or shields in position.
- ▶ Before use check the supply and extension cord for signs of damage or ageing. If the cord becomes damaged during use, disconnect the cord from the supply immediately. **DO NOT TOUCH THE CORD BEFORE DISCONNECTING THE SUPPLY.** Do not use the trimmer if the cord is damaged or worn.

4 | English

- ▶ If the supply cord is damaged, it must be replaced by the manufacturer, its service agent or similarly qualified persons in order to avoid a hazard.
- ▶ **Keep extension cords away from cutting elements.**
- ▶ Before using the machine and after impact, check for signs of wear or damage and repair if necessary.
- ▶ Never operate the product when you are tired, ill or under the influence of alcohol, drugs or medicine.
- ▶ Always wear long heavy trousers, boots and gloves. Do not wear loose clothing, jewellery, short trousers, sandals or go barefoot. Secure hair so that it is above shoulder level to avoid entanglement with moving parts.
- ▶ **Wear safety eye protection and ear defenders when operating the machine.**
- ▶ Keep firm footing and balance. Do not overreach.
- ▶ Never work with this trimmer while people, especially children or pets are nearby.
- ▶ The operator or user is responsible for accidents or hazards occurring to other people or their property.
- ▶ Wait until the cutting head has completely stopped before touching it. The head continues to rotate after the trimmer is switched off, the cutting system can cause injury/damage.
- ▶ Work only in daylight or in good artificial light.
- ▶ Avoid operating the trimmer in bad weather conditions especially when there is a risk of lightning.
- ▶ Operating the trimmer in wet grass decreases the efficiency of performance.
- ▶ Switch off when transporting the trimmer to and from the area to be worked on.
- ▶ Switch on the trimmer with hands and feet well away from the rotating line.
- ▶ Do not put hands or feet near the cutting system.
- ▶ Never fit metal cutting elements to this trimmer.
- ▶ Inspect and maintain the trimmer regularly.
- ▶ Have the trimmer repaired only by an authorized customer service agent.
- ▶ Always ensure that the ventilation slots are kept clear of debris.
- ▶ Take care against injury from the blade fitted for cutting the nylon line length. After feeding line always return the trimmer to its horizontal operating position before switching on.
- ▶ Switch off and remove the plug from the socket:
 - whenever you leave the machine unattended for any period
 - before replacing the cutting line
 - if the cable is tangled
 - before cleaning or working on the trimmer
- ▶ After use, disconnect the machine from the mains and check for damage.
- ▶ Store the machine in a secure, dry place out of the reach of children. Do not place other objects on top of the machine.

- ▶ Replace worn or damaged parts for safety.
- ▶ Ensure replacement parts fitted are Bosch approved.
- ▶ **Do not operate the machine without the trimmer attachment fitted.**

Electrical Safety

- ▶ **Warning! Switch off, remove plug from mains before adjusting, cleaning or if cable is cut, damaged or entangled.**
- ▶ **The cutting line continues to rotate for a few seconds after the trimmer is switched off.**
- ▶ **Caution – do not touch rotating cutting line.**

Your machine is double insulated for safety and requires no earth connection. The operating voltage is 230 VAC, 50 Hz (for non-EU countries 220 V). Only use approved extension cables. Contact your Bosch Service Centre for details.

It is recommended for increased electrical safety to use a Residual Current Device (RCD) with a tripping current of not more than 30 mA. Always check your RCD every time you use it.

For products **not sold in GB:**

WARNING: For your safety, it is required that the plug attached to the machine is connected with the extension cord. The coupling of the extension cord must be protected against splash water, be made of rubber or coated with rubber. The extension cord must be used with a cable strain relief.

The connection lead must be inspected for signs of damage at regular intervals and may only be used if in perfect condition.

If the supply cord is damaged, it must be replaced by a Bosch Service Centre. Extension cords/leads should only be used if they comply with H05VV-F or H05RN-F types.

Products sold in GB only: Your product is fitted with a BS 1363/A approved electric plug with internal fuse (ASTA approved to BS 1362).

If the plug is not suitable for your socket outlets, it should be cut off and an appropriate plug fitted in its place by an authorised customer service agent.

The replacement plug should have the same fuse rating as the original plug.



The severed plug must be disposed of to avoid a possible shock hazard and should never be inserted into a mains socket elsewhere.

Products sold in AUS and NZ only:





Use a residual current device (RCD) with a rated residual current of 30 mA or less.

Symbols

The following symbols are important for reading and understanding the operating instructions. Please take note of the symbols and their meaning. The correct interpretation of the symbols will help you to use the garden product in a better and safer manner.

Symbol	Meaning
	Wear protective gloves
	Do not use flowing water to clean the machine

6 | English

Symbol	Meaning
	Movement direction
	Reaction direction
I	Switching On
O	Switching Off
	Prohibited action
	Accessories/Spare Parts

Intended Use

The machine is intended for the cutting of grass and weeds under bushes, as well as on slopes and edges that can not be reached with the lawn mower.

Intended use is related to operation within 0 °C and 40 °C ambient temperature.

Technical Data

Trimmer		ART 37
Article number		0 600 878 M..
Rated power	W	1000
No-load speed	min ⁻¹	9000
Cutting line feed		Bump feed
Adjustable handle		●
Cutting line diameter	mm	2.0
Cutting diameter	cm	37
Cutting spool capacity	m	7
Weight according to EPTA-Procedure 01:2014	kg	4.6
Protection class		□/II
Serial number		see type plate on the garden product

The values given are valid for a nominal voltage [U] of 230 V. For different voltages and models for specific countries, these values can vary. Please observe the article number on the type plate of your garden product. The trade names of the individual garden products may vary.

Noise/Vibration Information

Sound emission values determined according to EN 50636-2-91.

Typically the A-weighted noise levels of the product are: Sound pressure level 83 dB(A); sound power level 103 dB(A). Uncertainty K = 2,5 dB.

Vibration total values a_h (triax vector sum) and uncertainty K determined according to EN 60335: $a_h = 4,8 \text{ m/s}^2$, $K = 1,5 \text{ m/s}^2$.

Mounting and Operation

- ▶ **Do not connect the machine to the mains socket before it is completely assembled.**
- ▶ **The cutting line continues to rotate for a few seconds after the trimmer is switched off. Allow the motor/cutting line to stop rotating before switching “on” again.**
- ▶ **Do not rapidly switch off and on.**
- ▶ **Do not hand bump the line feed as it could be hot.**
- ▶ **Remove any grass from spool cover when changing line or spool.**
- ▶ **Only use Bosch approved cutting elements. Cutting performance will vary with different cutting elements.**
- ▶ **Use the original spring when replacing spool.**

Action	Figure	Page
Delivery Scope	1	27
Connecting the Shaft	2	27
Mounting the Auxiliary Handle	3	27
Mounting the Cutting Guard	4	28
Attaching the Shoulder Strap	5	28
Connecting the Extension Lead	6	28
Starting	7	29
Stopping	7	29
Working Advice	8	29
Feeding the Line	9	30
Replacing the Line Spool	10	31
Winding Line on Spool	11	32
Fitting Spool into Spool Holder	12	33
Maintenance, Cleaning and Storage	13 – 14	33 – 34
Selecting Accessories	15	34

Troubleshooting



Problem	Possible Cause	Corrective Action
Trimmer fails to operate	Power turned off	Turn power on
	Mains socket faulty	Use another socket
	Extension cable damaged	Inspect cable, replace if damaged
	Fuse faulty/blown	Replace fuse
Trimmer runs intermittently	Extension cable damaged	Inspect cable, replace if damaged Contact Service Agent
	Internal wiring of machine damaged	Contact Service Agent
Garden product labours	Grass too high	Cut in stages
Machine does not cut	Cutting line too short/broken off	Replace cutting line
Line can not be fed	Spool empty	Replace the spool
	Line inside the spool entangled	Inspect the spool, rewind if necessary
Line retracts into spool	Line not bump fed	Rewind spool (see figure 11)
Line keeps breaking	Line inside the spool entangled	Inspect the spool, rewind if necessary
	Trimmer used incorrectly	Only trim with the tip of the line, avoid stones, walls and other hard objects. Feed the line regularly to maintain full cutting width.

After-sales Service and Application Service

www.bosch-garden.com

In all correspondence and spare parts orders, please always include the 10-digit article number given on the type plate of the garden product.

Great Britain

Robert Bosch Ltd. (B.S.C.)
P.O. Box 98
Broadwater Park
North Orbital Road
Denham
Uxbridge
UB 9 5HJ

At www.bosch-pt.co.uk you can order spare parts or arrange the collection of a product in need of servicing or repair.
Tel. Service: (0844) 7360109
E-Mail: boschservicecentre@bosch.com

Ireland

Origo Ltd.
Unit 23 Magna Drive
Magna Business Park
City West
Dublin 24
Tel. Service: (01) 4666700
Fax: (01) 4666888

Australia, New Zealand and Pacific Islands

Robert Bosch Australia Pty. Ltd.
Power Tools
Locked Bag 66
Clayton South VIC 3169
Customer Contact Center
Inside Australia:
Phone: (01300) 307044
Fax: (01300) 307045
Inside New Zealand:
Phone: (0800) 543353
Fax: (0800) 428570
Outside AU and NZ:
Phone: +61 3 95415555
www.bosch.com.au

8 | English

Republic of South Africa

Customer service

Hotline: (011) 6519600

Gauteng – BSC Service Centre

35 Roper Street, New Centre

Johannesburg

Tel.: (011) 4939375

Fax: (011) 4930126

E-Mail: bsctools@icon.co.za

KZN – BSC Service Centre

Unit E, Almar Centre

143 Crompton Street

Pinetown

Tel.: (031) 7012120

Fax: (031) 7012446

E-Mail: bsc.dur@za.bosch.com

Western Cape – BSC Service Centre

Democracy Way, Prosperity Park

Milnerton

Tel.: (021) 5512577

Fax: (021) 5513223

E-Mail: bsc@zsd.co.za

Bosch Headquarters

Midrand, Gauteng

Tel.: (011) 6519600

Fax: (011) 6519880

E-Mail: rbsa-hq.pts@za.bosch.com

Disposal

Do not dispose of garden products into household waste!

Only for EC countries:



According to the European directive 2012/19/EU for Waste Electrical and Electronic Equipment and its implementation into national law, electrical and electronic equipment that are no longer usable must be collected separately and disposed of in an environmentally correct manner.

Subject to change without notice.

Русский

В состав эксплуатационных документов, предусмотренных изготовителем для продукции, могут входить настоящее руководство по эксплуатации, а также приложения.

Информация о подтверждении соответствия содержится в приложении.

Информация о стране происхождения указана на корпусе изделия и в приложении.

Дата изготовления указана на последней странице обложки Руководства.

Контактная информация относительно импортера содержится на упаковке.

Срок службы изделия

Срок службы изделия составляет 7 лет. Не рекомендуется к эксплуатации по истечении 5 лет хранения с даты изготовления без предварительной проверки (дату изготовления см. на этикетке).

Перечень критических отказов и ошибочные действия персонала или пользователя

- не использовать с поврежденной рукояткой или поврежденным защитным кожухом
- не использовать при появлении дыма непосредственно из корпуса изделия
- не использовать с перебитым или оголенным электрическим кабелем
- не использовать на открытом пространстве во время дождя (в распыляемой воде)
- не включать при попадании воды в корпус
- не использовать при сильном искрении
- не использовать при появлении сильной вибрации

Критерии предельных состояний

- перетёрт или повреждён электрический кабель
- поврежден корпус изделия

Тип и периодичность технического обслуживания

Рекомендуется очистить инструмент от пыли после каждого использования.

Хранение

- необходимо хранить в сухом месте
- необходимо хранить вдали от источников повышенных температур и воздействия солнечных лучей
- при хранении необходимо избегать резкого перепада температур
- хранение без упаковки не допускается
- подробные требования к условиям хранения смотрите в ГОСТ 15150 (Условие 1)

Транспортировка

- категорически не допускается падение и любые механические воздействия на упаковку при транспортировке

- при разгрузке/погрузке не допускается использование любого вида техники, работающей по принципу зажима упаковки
- подробные требования к условиям транспортировки смотрите в ГОСТ 15150 (Условие 5)

Указания по безопасности

Внимание! Внимательно прочитайте следующие указания. Ознакомьтесь с элементами управления и правильным использованием садового инструмента. Сохраняйте руководство по эксплуатации для дальнейшего использования.

Пояснение пиктограмм



Общее указание на наличие опасности.



Прочитайте руководство по эксплуатации.



Следите за тем, чтобы отбрасываемые работающей машиной предметы не травмировали находящихся вблизи людей.



Предупреждение: Выдерживайте безопасное расстояние до садового инструмента, когда он работает.



Выключайте триммер и вытаскивайте штепсельную вилку из розетки перед изменением настроек на триммере или его очисткой, если запутался шнур питания



или если Вам нужно оставить триммер без присмотра даже на

10 | Русский

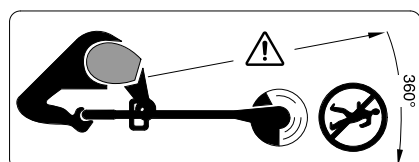
короткое время. **Не допускайте попадания шнура под леску.**



Обязательно надевайте средства защиты органов слуха и защитные очки.



Не работайте в дождь и не оставляйте триммер в дождь на улице.



Следите за тем, чтобы чужеродные предметы, отлетающие от триммера, не травмировали находящихся поблизости людей.

Предупреждение: Выдерживайте безопасное расстояние до садового инструмента, когда он работает.

Эксплуатация

► Этот садовый инструмент не предназначен для использования лицами (включая детей) с ограниченными психическими или сенсорными способностями, с нарушениями психического здоровья, а также с недостаточным опытом/знаниями, исключая случаи, когда эксплуатация осуществляется такими лицами под наблюдением ответственного за их безопасность либо после получения от ответственного за безопасность соответствующих разъяснений относительно

эксплуатации данного садового инструмента.

Необходимо проследить, чтобы дети не играли с садовым инструментом.

- Никогда не позволяйте пользоваться триммером детям или лицам, не знакомым с этими указаниями. Национальные предписания могут ограничивать возраст оператора. Если Вы не пользуетесь триммером, храните его в недоступном для детей месте.
- Никогда не работайте с триммером, если отсутствуют или повреждены крышки или защитные приспособления или если они неправильно установлены.
- Перед началом работы проверяйте шнур или удлинитель на предмет повреждений и наличие признаков старения. При повреждении шнура питания во время работы немедленно вытащите штепсельную вилку из розетки. **НЕ ПРИКАСАЙТЕСЬ К ШНУРУ, ПОКА ШТЕПСЕЛЬНАЯ ВИЛКА ЕЩЕ ВСТАВЛЕНА В РОЗЕТКУ.** Не работайте с триммером, если шнур поврежден или изношен.
- При необходимости замены шнура питания обращайтесь во избежание опасности к производителю, в авторизованную сервисную мастерскую производителя или к квалифицированному специалисту.

- ▶ **Держите удлинитель вдали от режущих элементов.**
- ▶ Перед началом работы и после удара проверьте садовый инструмент на предмет износа и повреждений и при необходимости отдайте его в ремонт.
- ▶ Не пользуйтесь садовым инструментом, если Вы устали или больны, или находитесь под действием спиртных напитков, наркотических средств или медикаментов.
- ▶ Надевайте длинные, прочные штаны, прочную обувь и перчатки. Не надевайте свободную одежду, украшения, короткие штаны, сандалии и не работайте без обуви. Чтобы волосы не запутались в движущихся деталях, подвязывайте их выше уровня плеч.
- ▶ **При обслуживании садового инструмента надевайте защитные очки и наушники.**
- ▶ Всегда сохраняйте устойчивое положение и равновесие. Не перенапрягайтесь.
- ▶ Никогда не пользуйтесь триммером, если поблизости находятся другие люди, в особенности дети, или домашние животные.
- ▶ Оператор или пользователь ответственен за несчастные случаи и ущерб, нанесенный другим лицам или их имуществу.
- ▶ Прежде чем прикоснуться к вращающейся леске, подождите, пока она полностью не остановится. Леска продолжает вращаться некоторое время после выключения триммера и может причинить телесные повреждения.
- ▶ Работайте только при дневном освещении или хорошем искусственном освещении.
- ▶ Не работайте с триммером при плохих погодных условиях, в частности, когда собирается гроза.
- ▶ Использование триммера на влажной траве снижает эффективность работы.
- ▶ Перед транспортировкой триммера от места/к месту работы выключайте его.
- ▶ Включайте триммер только тогда, когда руки и ноги будут находиться на достаточном расстоянии от вращающейся лески.
- ▶ Не подставляйте руки и ноги под вращающуюся леску.
- ▶ Никогда не используйте металлические режущие элементы для этого триммера.
- ▶ Регулярно проверяйте триммер и выполняйте работы по его техобслуживанию.
- ▶ Отдавайте триммер в ремонт только в авторизованные сервисные мастерские.
- ▶ Постоянно следите за чистотой вентиляционных шлицев.

- ▶ Берегитесь травм от вставленного ножа, который режет леску по длине. После заправки/подтягивания лески обязательно переверните триммер в горизонтальное рабочее положение, прежде чем включать его.
- ▶ Выключайте садовый инструмент и вытаскивайте штепсельную вилку из розетки:
 - всегда перед тем, как оставить садовый инструмент без присмотра
 - перед тем, как менять катушку
 - если запутался шнур
 - перед очисткой или работами на триммере
- ▶ После окончания работы вытаскивайте штепсельную вилку из розетки и проверяйте садовый инструмент на предмет повреждений.
- ▶ Храните садовый инструмент в надежном, сухом и недоступном для детей месте. Не ставьте другие предметы на садовый инструмент.
- ▶ Для сохранения безопасности меняйте изношенные или поврежденные части.
- ▶ Для замены используйте оригинальные запасные части фирмы Bosch.
- ▶ **Никогда не включайте садовый инструмент без смонтированных соответствующих деталей.**

Электробезопасность

- ▶ **Внимание! Перед проведением работ по техническому обслуживанию или очистке, выключайте садовый инструмент и вытягивайте штепсельную вилку из розетки. Эти операции необходимо проделывать также и в том случае, если сетевой кабель поврежден, перерезан или запутался.**
- ▶ **После выключения триммера леска еще несколько секунд продолжает вращаться.**
- ▶ **Осторожно! Не прикасайтесь к вращающейся леске.**

Из соображений безопасности Ваш садовый инструмент имеет защитную изоляцию и не нуждается в заземлении. Рабочее напряжение составляет 230 В ~, 50 Гц (для стран, не входящих в ЕС: 220 В).

Используйте только разрешенный удлинительный кабель. Информацию можно получить в авторизированной сервисной мастерской.

Для повышения безопасности рекомендуется использовать устройство защитного отключения (УЗО), срабатывающее при макс. 30 мА. УЗО следует проверять перед каждым использованием аппарата.

Указание для продуктов за пределами Великобритании:
ВНИМАНИЕ: В интересах Вашей безопасности необходимо соединить штекер садового инструмента с кабелем-удлинителем. Соединительная муфта кабеля-удлинителя должна быть защищена от водяных брызг, сделана из резины или покрыта резиной. Кабель-удлинитель должен использоваться с приспособлением для разгрузки провода от натяжения.




Шнур необходимо регулярно проверять на наличие признаков повреждения, его можно использовать только в безупречном состоянии.






Поврежденный сетевой шнур разрешается ремонтировать только в авторизированной мастерской Bosch.

Разрешается использовать только кабели-удлинители типа H05VV-F или H05RN-F.

Символы

Следующие символы помогут Вам при чтении и понимании руководства по эксплуатации. Запомните символы и их значение. Правильная интерпретация символов поможет Вам правильно и надежнее работать с садовым инструментом.

Символ	Значение
	Надевайте защитные рукавицы
	Не используйте для очистки садового инструмента проточную воду
	Направление движения

Символ	Значение
	Направление реакции
	Включение
	Выключение
	Запрещенное действие
	Принадлежности/запчасти

Применение по назначению

Настоящий инструмент предназначен для стрижки травы и сорняка под кустами, а также на склонах и для обработки кромок, к которым не добраться газонокосилкой.

Использование по назначению распространяется на температуру окружающей среды от 0 °C до 40 °C.

Технические данные

Триммер		ART 37
Товарный №		0 600 878 M..
Номинальная потребляемая мощность	Вт	1000
Число оборотов холостого хода	мин ⁻¹	9000
Подача режущей лески		автоматическая при прижатии головке к земле
Переставляемая рукоятка		●
Диаметр режущей лески	мм	2,0
Ширина захвата	см	37
Емкость катушки	м	7
Вес согласно EPTA-Procedure 01:2014	кг	4,6
Класс защиты		□/II
Серийный номер		см. заводскую табличку садового инструмента

Параметры указаны для номинального напряжения [U] 230 В. При других значениях напряжения, а также в специфическом для страны исполнении инструмента возможны иные параметры.

Обращайте внимание на товарный номер на заводской табличке Вашего садового инструмента. Торговые названия отдельных садовых инструментов могут различаться.

14 | Русский

Данные по шуму и вибрации

Значения звуковой эмиссии определены в соответствии с EN 50636-2-91.

A-взвешенный уровень шума от электроинструмента составляет обычно: уровень звукового давления 83 дБ (A); уровень звуковой мощности 103 дБ(A). Погрешность K = 2,5 дБ.

Суммарная вибрация a_h (векторная сумма трех направлений) и погрешность K определены в соответствии с EN 60335:
 $a_h = 4,8 \text{ м/с}^2$, $K = 1,5 \text{ м/с}^2$.

Монтаж и эксплуатация

- ▶ **Не включайте садовый инструмент в розетку, пока он не будет полностью монтирован.**
- ▶ **После выключения триммера леска еще продолжает вращаться несколько секунд. Прежде чем повторно включить триммер, подождите, пока двигатель/леска полностью не остановятся.**
- ▶ **Нельзя выключать и включать инструмент без промежуточного перерыва.**
- ▶ **Не нажимайте на пусковую кнопку рукой, поскольку она может очень нагреваться.**
- ▶ **При замене лески или катушки удаляйте скопления травы с крышки катушки.**
- ▶ **Рекомендуется использовать разрешенные режущие элементы Bosch. При использовании других режущих элементов результат резания может отличаться.**

▶ **При монтаже новой катушки пружину можно использовать повторно.**

Действие	Рисунок	Страница
Комплект поставки	1	27
Сборка рукоятки	2	27
Крепление дополнительной рукоятки	3	27
Монтаж защитной крышки	4	28
Крепление плечевого ремня	5	28
Монтаж кабеля-удлинителя	6	28
Включение	7	29
Выключение	7	29
Указания по работе	8	29
Подача режущей лески	9	30
Замена катушки	10	31
Наматывание режущей лески на катушку	11	32
Установка катушки в крышку катушки	12	33
Техобслуживание, очистка и хранение	13 – 14	33 – 34
Выбор принадлежностей	15	34

Поиск неисправностей

Проблема	Возможная причина	Устранение
Триммер не работает	Отсутствует питание	Проверьте и включите
	Неисправна розетка	Воспользуйтесь другой штепсельной розеткой
	Поврежден кабель-удлинитель	Проверьте кабель-удлинитель и замените его в случае повреждения
Триммер работает с перебоями	Сработал предохранитель	Замените предохранитель
	Поврежден кабель-удлинитель	Проверьте кабель-удлинитель и замените его в случае повреждения Обратитесь в сервисную мастерскую
	Повреждена внутренняя проводка садового инструмента	Обратитесь в сервисную мастерскую садового инструмента
Перегрузка садового инструмента	Высокая трава	Стригите ступенчато
Садовый инструмент не режет	Леска слишком короткая/оборвалась	Замените режущий элемент

Проблема	Возможная причина	Устранение
Леска не подается	Катушка пустая	Замените катушку
	Леска запуталась в катушке	Проверьте катушку и при необходимости заново намотайте леску
Леска втягивается обратно в катушку	При прижиге головки триммера к земле леска не подается	Заново намотайте леску на катушку (см. рис. 11)
Леска продолжает рваться	Леска запуталась в катушке	Проверьте катушку и при необходимости заново намотайте леску
	Неправильное обращение с триммером	Срезайте траву только кончиком лески; избегайте контакта с камнями, стенами и другими твердыми предметами. Регулярно подтягивайте леску, чтобы использовать весь диаметр резания.

Сервис и консультирование на предмет использования продукции

www.bosch-garden.com

При всех дополнительных вопросах и заказе запчастей, пожалуйста, обязательно указывайте 10-значный товарный номер, указанный на заводской табличке садового инструмента.

Для региона: Россия, Беларусь, Казахстан, Украина

Гарантийное обслуживание и ремонт электроинструмента, с соблюдением требований и норм изготовителя производятся на территории всех стран только в фирменных или авторизованных сервисных центрах «Роберт Бош».

ПРЕДУПРЕЖДЕНИЕ! Использование контрафактной продукции опасно в эксплуатации, может привести к ущербу для Вашего здоровья. Изготовление и распространение контрафактной продукции преследуется по Закону в административном и уголовном порядке.

Россия

Уполномоченная изготовителем организация:
ООО «Роберт Бош»
Вашутинское шоссе, вл. 24
141400, г.Химки, Московская обл.
Россия
Тел.: 8 800 100 8007 (звонок по России бесплатный)
E-Mail: info.powertools@ru.bosch.com

Полную и актуальную информацию о расположении сервисных центров и приёмных пунктов Вы можете получить:

- на официальном сайте www.bosch-pt.ru
- либо по телефону справочно – сервисной службы Bosch 8 800 100 8007 (звонок по России бесплатный)

Беларусь

ИП «Роберт Бош» ООО
Сервисный центр по обслуживанию электроинструмента
ул. Тимирязева, 65А-020
220035, г. Минск
Беларусь
Тел.: +375 (17) 254 78 71
Тел.: +375 (17) 254 79 15/16
Факс: +375 (17) 254 78 75
E-Mail: pt-service.by@bosch.com
Официальный сайт: www.bosch-pt.by

Казахстан

ТОО «Роберт Бош»
Сервисный центр по обслуживанию электроинструмента
г. Алматы
Казахстан
050050
пр. Райымбека 169/1
уг. ул. Коммунальная
Тел.: +7 (727) 232 37 07
Факс: +7 (727) 233 07 87
E-Mail: info.powertools.ka@bosch.com
Официальный сайт: www.bosch.kz; www.bosch-pt.kz

Утилизация

Не выбрасывайте садовые инструменты в бытовой мусор!

Только для стран-членов ЕС:



В соответствии с европейской директивой 2012/19/EU об отработанных электрических и электронных приборах и ее претворением в национальное законодательство отслужившие электрические и электронные приборы и инструменты нужно собирать отдельно и сдавать на экологически чистую рекуперацию.

Возможны изменения.

16 | Українська

Українська

Вказівки з техніки безпеки

Увага! Уважно прочитайте наступні вказівки. Ознайомтеся з елементами управління і правилами користування садовим інструментом. Зберігайте інструкцію з експлуатації для подальшого користування нею.

Пояснення щодо символів



Загальна вказівка про небезпеку.



Прочитайте цю інструкцію з експлуатації.



Слідкуйте за тим, щоб чужорідні частки, що відлітають при видуванні повітря, не травмували людей поблизу.



Попередження: Дотримуйтеся безпечної відстані до садового інструменту, коли він працює.



Вимикайте тример та витягайте штепсель з розетки, якщо Ви хочете



переналаштувати або очистити його, якщо заплутався шнур живлення

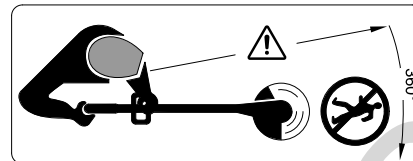
або якщо Ви залишаєте тример без нагляду навіть на короткий проміжок часу. **Не допускайте потрапляння шнура живлення під ліску.**



Вдягайте навушники і захисні окуляри.



Не працюйте під дощем і не залишайте тример під час дощу надворі.



Слідкуйте за тим, щоб чужорідні тіла, що відлітають, не травмували людей поблизу.

Попередження: Дотримуйтеся безпечної відстані до садового інструменту, коли він працює.

Експлуатація

► Цей садовий інструмент не призначений для використання особами (включаючи дітей) з обмеженими психічними, чуттєвими або розумовими здатностями або недостатнім досвідом та/або недостатніми знаннями – це дозволяється робити лише у тому випадку, якщо за ними спостерігає особа, що відповідає за їхню безпеку, або вони отримують від неї вказівки щодо того, як слід використовувати прилад.

Необхідно спостерігати за дітьми, щоб переконатися, що вони не грають з садовим інструментом.

► В жодному разі не дозволяйте користуватися тримером дітям і особам, що не знайомі з цими інструкціями. Національні приписи можуть обмежувати допустимий вік користувача. Якщо Ви певний час не працюєте з тримером,

зберігайте його в недоступному для дітей місці.

- ▶ Ніколи не працюйте з тримером, якщо відсутні або пошкоджені кришки або захисні пристрої, або якщо вони неправильно встановлені.
- ▶ Перед початком роботи перевіряйте шнур живлення або подовжувач на предмет пошкоджень і наявність ознак старіння. У випадку пошкодження шнура під час роботи негайно витягніть штепсель із розетки. **НЕ ТОРКАЙТЕСЯ ДО ШНУРА, ПОКИ ШТЕПСЕЛЬ ЩЕ ВСТРОМЛЕНИЙ В РОЗЕТКУ.** Не працюйте з тримером, якщо шнур пошкоджений або зносився.
- ▶ З метою уникнення небезпеки при заміні шнура живлення зверніться до виробника, в авторизовану сервісну майстерню виробника або до кваліфікованого фахівця.
- ▶ **Тримайте подовжувач подалі від різальних елементів.**
- ▶ Перед початком роботи та після удару перевірте садовий інструмент на предмет зношення і пошкоджень і за необхідністю віддайте його у ремонт.
- ▶ Не користуйтеся садовим інструментом, якщо Ви стомлені або хворі, або знаходитесь під дією спиртних напоїв, наркотиків або ліків.
- ▶ Одягайте довгі, міцні штани, міцне взуття та рукавиці. Не одягайте просторий одяг, прикраси, короткі штани, сандалі і не працюйте

босоніж. Щоб волосся не заплуталося в рухомих деталях, зав'яжуйте його вище рівня плечей.

- ▶ **При обслуговуванні садового інструменту одягайте захисні окуляри та навушники.**
- ▶ Завжди зберігайте стійке положення і рівновагу. Не перенапружуйтеся.
- ▶ Ніколи не користуйтеся тримером, коли поблизу знаходяться люди, зокрема діти, або домашні тварини.
- ▶ Користувач несе відповідальність за нещасні випадки, тілесні ушкодження інших людей і пошкодження чужого майна.
- ▶ Перш ніж торкатися до ліски, що обертається, зачекайте, поки вона повністю не зупиниться. Після вимкнення тримера ліска ще продовжує обертатися і може призвести до поранень.
- ▶ Працюйте лише при денному світлі або при доброму штучному освітленні.
- ▶ Не працюйте з тримером за поганих погодних умов, зокрема, коли збирається гроза.
- ▶ При використанні тримера в мокрій траві його продуктивність роботи зменшується.
- ▶ Перед перенесенням тримера з/до місця роботи вимикайте його.
- ▶ Вмикайте тример лише тоді, коли руки й ноги знаходяться на достатній відстані від ліски, що обертається.
- ▶ Не підсовуйте руки і ноги під ліску, що обертається.

18 | Українська

- ▶ Ніколи не використовуйте металеві різальні елементи для цього тримера.
- ▶ Регулярно перевіряйте тример і виконуйте роботи з його техобслуговування.
- ▶ Віддавайте тример на ремонт лише в авторизовану сервісну майстерню.
- ▶ Постійно слідкуйте за тим, щоб у вентиляційних щілинах не було трави.
- ▶ Остерігайтеся травм від вставленого ножа, що ріже ліску по довжині. Після заправлення/підтягування ліски обов'язково переверніть тример в горизонтальне робоче положення, перш ніж вмикати його.
- ▶ Вимикайте садовий інструмент і витягайте штепсель із розетки:
 - завжди перед тим, як залишити садовий інструмент без нагляду
 - перед тим, як міняти катушку
 - якщо заплутався шнур живлення
 - перед очищенням або роботами на тримері
- ▶ Після закінчення роботи витягайте штепсель із розетки і перевіряйте садовий інструмент на предмет пошкоджень.
- ▶ Зберігайте садовий інструмент в безпечному, сухому і недосяжному для дітей місці. Не ставте інші предмети на садовий інструмент.
- ▶ З міркувань техніки безпеки міняйте зношені або пошкоджені деталі.
- ▶ Слідкуйте за тим, щоб нові деталі були від Bosch.

- ▶ **Ніколи не вмикайте садовий інструмент без монтованих відповідних деталей.**

Електрична безпека

- ▶ **Увага! Перед роботами з технічного обслуговування або очищення вимикайте садовий інструмент та витягуйте штепсель з розетки. Це саме має чинність і якщо електрокабель пошкоджений, надрізаний або заплутався.**
- ▶ **Після вимкнення тримера ліска ще декілька секунд обертається.**
- ▶ **Обережно – не торкайтеся до ліски, що обертається.**

З міркувань техніки безпеки Ваш садовий інструмент має захисну ізоляцію і не потребує заземлення. Робоча напруга становить 230 В, 50 Гц (для країн, що не належать до ЄС – 220 В). Використовуйте лише дозволені подовжувачі. Інформацію можна отримати в авторизованій сервісній майстерні.

З метою збільшення безпеки рекомендується користуватися захисним автоматом макс. на 30 мА. Цей захисний автомат слід перевіряти перед кожним користуванням.

Вказівка щодо продуктів, що були куплені **за межами Великобританії**: **УВАГА:** З міркувань техніки безпеки потрібно, щоб штепсель садового інструменту був з'єднаний з подовжувальним кабелем. З'єднувальна муфта подовжувального кабелю повинна

бути захищена від водяних бризок, зроблена з гуми або покрита гумою. Подовжувальний кабель має використовуватися з елементом, що компенсує натяг.





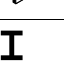


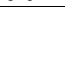
Під'єднувальний кабель треба регулярно перевіряти на предмет пошкоджень; його дозволяється використовувати лише в бездоганному стані.

Пошкоджений під'єднувальний кабель дозволяється ремонтувати лише в авторизованій майстерні Bosch.

Дозволяється користуватися лише подовжувальними кабелями типу H05VV-F або H05RN-F.

Символи

Наступні символи стануть Вам у нагоді, коли Ви будете читати та щоб зрозуміти інструкцію з експлуатації. Запам'ятайте ці символи та їх значення. Правильне розуміння символів допоможе Вам правильно та безпечно користуватися садовим інструментом.

Символ	Значення
	Вдягайте захисні рукавиці
	Не використовуйте для очищення садового інструменту проточну воду
	Напрямок руху
	Напрямок реакції
	Вмикання
	Вимикання
	Заборонена дія
	Приладдя/запчастини

Призначення приладу

Прилад призначений для зрізування трави і бур'яну попід кущами, а також на косогорох і попід краями, куди не достає газонокосарка.

Використання за призначенням розраховане на температуру зовнішнього середовища від 0 °C до 40 °C.

Технічні дані

Триммер	ART 37	
Товарний номер	0 600 878 M..	
Ном. споживана потужність	Вт	1000
Кількість обертів на холостому ході	хвил. ⁻¹	9000
Подача ліски	автоматична при притискуванні головки до землі	
Регульована рукоятка	●	
Діаметр ліски	мм	2,0
Діаметр кругового захвату	см	37
Ємність котушки	л	7
Вага відповідно до ЕРТА-Procedure 01:2014	кг	4,6
Клас захисту	□/II	
Серійний номер	див. заводську таблицю на садовому інструменті	

Параметри зазначені для номінальної напруги [U] 230 В. При інших значеннях напруги, а також у специфічному для країни виконанні можливі інші параметри.

Зважайте на товарний номер, що зазначений на заводській таблиці Вашого садового інструменту. Торговельна назва окремих садових інструментів може розрізнятися.

Інформація щодо шуму і вібрації

Значення звукової емісії отримані відповідно до EN 50636-2-91.

A-зважений рівень звукового тиску від приладу, як правило, становить: звукове навантаження 83 дБ(A); звукова потужність 103 дБ(A). Похибка K = 2,5 дБ.

Сумарна вібрація a_h (векторна сума трьох напрямків) та похибка K визначені відповідно до EN 60335: $a_h = 4,8 \text{ м/с}^2$, $K = 1,5 \text{ м/с}^2$.

Монтаж та експлуатація

► **Не вмикайте садовий інструмент в розетку, поки він не буде повністю зібраний.**

20 | Українська

- ▶ Після вимкнення тримера ліска ще декілька секунд обертається. Перш ніж знову вмикати тример, зачекайте, поки двигун/ліска не зупиняться.
- ▶ Не вмикайте занадто швидко після вимкнення.
- ▶ Не натискайте рукою на пускову кнопку для підтягування ліски, адже вона може дуже нагріватися.
- ▶ Під час заміни ліски або котушки видаляйте накопичення трави із кришки котушки.
- ▶ Рекомендується використовувати дозволені Bosch ліски. При використанні іншої ліски результат підрізання може відрізнятись.
- ▶ При монтажі нової котушки пружину можна використовувати повторно.

Дія	Малюнок	Сторінка
Обсяг поставки	1	27
Збирання рукоятки	2	27
Кріплення додаткової рукоятки	3	27
Монтаж захисної кришки	4	28

Дія	Малюнок	Сторінка
Кріплення плечового ремня	5	28
Монтаж подовжувального кабелю	6	28
Вмикання	7	29
Вимкнення	7	29
Вказівки щодо роботи	8	29
Підтягування ліски	9	30
Заміна котушки	10	31
Намотування ліски на котушку	11	32
Встромляння котушки в кришку котушки	12	33
Технічне обслуговування, очищення та зберігання	13 – 14	33 – 34
Вибір приладдя	15	34

Пошук несправностей



Симптоми	Можлива причина	Що робити
Тример не працює	Відсутнє живлення	Перевірте і увімкніть
	Несправна розетка	Користуйтеся іншою розеткою
	Пошкоджений подовжувальний кабель	Перевірте та замініть кабель у разі його пошкодження
	Спрацював запобігач	Поміняйте запобіжник
Тример працює з перебоями	Пошкоджений подовжувальний кабель	Перевірте та замініть кабель у разі його пошкодження Зверніться в сервісну майстерню
	Пошкоджена внутрішня проводка садового інструменту	Зверніться в сервісну майстерню
Перевантаження садового інструменту	Трава занадто висока	Зрізайте траву шарами
Садовий інструмент не ріже	Ліска занадто коротка/порвалася	Замініть різальні елементи
Ліска не розмотується	Котушка порожня	Замініть котушку
	Ліска заплуталася в котушці	Перевірте котушку і при необхідності перенамотайте ліску
Ліска затягується назад в котушку	При притискуванні головки до землі ліска не подається	Заново намотайте ліску на котушку (див. мал. 11)

Симптоми	Можлива причина	Що робити
Ліска рветься	Ліска заплуталася в катушці	Перевірте катушку і при необхідності перенамотайте ліску
	Неправильне поводження з тримером	Зрізайте лише кінчиком ліски; уникайте торкання каменів, стін і інших твердих предметів. Регулярно підтягуйте ліску, щоб використати весь діаметр різання.

Сервіс та надання консультацій щодо використання продукції

www.bosch-garden.com

При всіх додаткових запитаннях та замовленні запчастин, будь ласка, зазначайте 10-значний номер для замовлення, що стоїть на заводській табличці садового інструменту.

Гарантійне обслуговування і ремонт електроінструменту здійснюються відповідно до вимог і норм виготовлювача на території всіх країн лише у фірмових або авторизованих сервісних центрах фірми «Роберт Бош». **ПОПЕРЕДЖЕННЯ!** Використання контрафактної продукції небезпечно в експлуатації і може мати негативні наслідки для здоров'я. Виготовлення і розповсюдження контрафактної продукції переслідується за Законом в адміністративному і кримінальному порядку.

Україна

ТОВ «Роберт Бош»
Сервісний центр електроінструментів
вул. Крайня, 1, 02660, Київ-60
Україна
Тел.: (044) 4 90 24 07 (багатоканальний)
E-Mail: pt-service.ua@bosch.com
Офіційний сайт: www.bosch-powertools.com.ua

Адреса Регіональних гарантійних сервісних майстерень зазначена в Національному гарантійному талоні.

Утилізація

Не викидайте садові інструменти в побутове сміття!

Лише для країн ЄС:



Відповідно до європейської директиви 2012/19/EU про відпрацьовані електро- і електронні прилади і її перетворення в національному законодавстві електро- і електронні прилади, що вийшли з використання повинні здаватися окремо і утилізуватися екологічно чистим способом.

Можливі зміни.

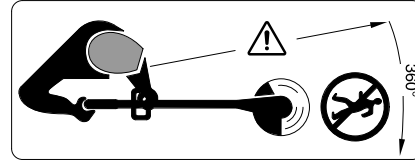
Srpski

Uputstva o sigurnosti

Pažnja! Pročitajte pažljivo sledeća uputstva. Upoznajte se sa elementima za rad i propisnom upotrebom baštenskog uredjaja. Molimo sačuvajte sigurno uputstvo za rad za kasniju upotrebu.

Objašnjenja simbola sa slika

-  Opšte uputstvo o opasnosti.
-  Pročitajte uputstvo za rad.
-  Paziti da osobe koje stoje u blizini ne budu povredene usled odbačenih stranih tela.
-  Opomena: Održavajte sigurno rastojanje od baštenskog uredjaja, kada on radi.
-  Isključite trimer za travu i izvucite mrežni utikač iz utičnice, pre nego što
-  preduzmete podešavanje uredjaja ili čišćenje, kada se je kabl zapleo ili ako trimer za travu ostavite čak i na kratko bez nadzora. **Držite strujni kabl dalje od žice za sečenje.**
-  Nosite zaštitu za sluh i zaštitne naočare.
-  Ne radite na kiši i ne ostavljajte trimer za travu u prirodi po kiši.



Pazite na to da se osobe koje se nalaze u blizini ne povrede od stranih tela koja lete okolo.

Opomena: Održavajte sigurno rastojanje od baštenskog uredjaja, kada on radi.

Rad

- ▶ Ovaj baštenski uredjaj nije zamišljen za to, da ga koriste osobe (uključujući i decu) sa ograničenim fizičkim, umnim ili duševnim sposobnostima ili nedostajućim iskustvom i/ili nedostajućim znanjem, čak ni onda, ako su pod nadzorom osobe koja je nadležna za njihovu sigurnost ili dobijaju od nje uputstva, kako se koristi baštenski uredjaj. Decu bi trebalo nadzirati, da biste bili sigurni da se ne igraju sa baštenskim uredjajem.
- ▶ Nikada ne dozvoljavajte deci ili osobama koji nisu upoznati sa ovim uputstvima da koriste trimer za travu. Nacionalni propisi moguće je da ograničavaju starost radnika. Čuvajte trimer za travu da deci bude nedostupan, kada nije u upotrebi.
- ▶ Ne radite nikada sa trimrom za travu ako nedostaju ili su oštećeni poklopac ili zaštitni uredjaji ili ako oni nisu kako treba pozicionirani.
- ▶ Kontrolišite kabl za snabdevanje struje odnosno produžni kabl da nije oštećen ili znake starenja. Ako se kabl

za vreme korišćenja oštetiti, odmah izvucite utikač iz utičnice. **NE DODIRUJTE KABL PRE NEGO ŠTO SE IZVUČE.** Ne radite sa trimmerom za travu ako je kabl oštećen ili pohaban.

- ▶ Ako je potrebna zamena priključnog voda, onda to treba da izvrši proizvođač, njegov stručan servis ili neka za to stručna osoba., da bi izbegli opasnosti po sigurnost.

▶ **Produžni kabl držite dalje od elemenata za sečenje.**

- ▶ Prekontrolišite baštenski uređaj pre upotrebe i posle nekog udara da li nije istrošen ili oštećen i u datom slučaju ga popravite.

- ▶ Ne koristite baštenski uređaj ako ste umorni ili bolesni ili pod uticajem alkohola, droga ili lekova.

- ▶ Nosite duge, teške pantalone, čvrste cipele i rukavice. Ne nosite široko odelo, nakit, kratke panalone, sandale ili ne radite bosu. Povežite dugu kosu preko ramena, da bi izbegli umotavanje u pokretnim delovima.

▶ **Nosite zaštitne naočare i zaštitu za sluh kada radite sa baštenskim uređajem.**

- ▶ Obratite pažnju na stabilno stajanje i uvek na ravnotežu. Ne zapinjite previše.

- ▶ Ne radite nikada sa trimmerom za travu dok se osobe posebno deca ili kućne životinje nalaze u neposrednoj blizini.

- ▶ Radnik ili korisnik je odgovoran za nesreće ili štete kod drugih ljudi ili na njihovoj imovini.

- ▶ Sačekajte dok se rotirajući nož potpuno ne zaustavi, pre nego što ga uhvatite. Nož za sečenje se okreće

posle isključivanja trimera za travu još uvek i može prouzrokovati povrede.

- ▶ Kosite samo pri dnevnom svetlu ili dobrom veštačkom svetlu.
- ▶ Ne radite sa trimmerom pri lošim vremenskim uslovima, posebno pri dolazećem nevremenu.
- ▶ Upotreba trimera u vlažnoj travi smanjuje radni učinak.
- ▶ Isključite trimmer za travu, ako se transportuje sa/na radnu površinu.
- ▶ Uključite trimmer za travu samo ako su Vaše ruke i noge dovoljno udaljeni od rotirajućeg noža za sečenje.
- ▶ Ne idite sa rukama i nogama u blizinu rotirajućeg noža za sečenje.
- ▶ Ne upotrebljavajte nikada metalne elemente za sečenje za ovaj trimmer.
- ▶ Kontrolišite i održavajte redovno trimmer.
- ▶ Neka trimmer za travu popravlja samo stručan servis.
- ▶ Uvek se uverite da otvori za hlađenje budu slobodni od ostataka trave.
- ▶ Zaštitite se od povreda od ugradjenog noža koji seče žicu po dužini. Okrenite trimmer posle punjenja/dopunjavanja žice uvek u horizontalnu radnu poziciju pre nego ga uključite.
- ▶ Isključite baštenski uređaj i izvucite mrežni utikač iz utičnice:
 - uvek kada baštenski uređaj ostavite bez nadzora
 - pre promene namotaja
 - kada je kabl umotan
 - pre čišćenja, ili kada se radi na trimmeru za travu

24 | Srpski

- ▶ Izvucite posle rada mrežni utikač i prekontrolišite baštenski uređaj na oštećenja.
- ▶ Čuvajte baštenski uređaj na nekom sigurnom, suvom mestu, izvan dohvata dece. Ne stavljajte nikakve druge predmete na uređaj.
- ▶ Sigurnosti radi promenite istrošene ili oštećene delove.
- ▶ Uverite se da li delovi koje treba promeniti potiču od Bosch-a.
- ▶ **Baštenski uređaj ne puštajte nikada u rad, a da niste montirali odgovarajuće delove.**

Električna sigurnost

- ▶ **Pažnja! Pre radova održavanja i čišćenja isključite baštenski uređaj i izvucite mrežni utikač. Isto važi i ako je strujni kabl oštećen, zasečen ili zapleten.**
- ▶ **Pošto je trimer za travu isključen, okreće se žica za sečenje još nekoliko sekundi.**
- ▶ **Oprez – ne dodirujte rotirajuću žicu za sečenje.**

Vaš baštenski uređaj je radi sigurnosti zaštitno izolovan i nema potrebu za uzemljenjem. Radni napon iznosi 230 V AC, 50 Hz (za zemlje bez EU 220 V). Upotrebljavajte samo dozboljene produžne kablove. Informacije ćete dobiti kod Vašeg stručnog servisa.

Radi povećanja sigurnosti preporučuje se, da se koristi jedna FI-sklopka (RCD) sa maksimalno 30 mA. Ova FI-sklopka bi trebala da se kontroliše pre upotrebe.

Napomena za proizvode koji se **ne prodaju u Velikoj Britaniji:**

PAŽNJA: Zbog Vaše bezbednosti je neophodno da se utikač postavljen na baštenskom uređaju spoji sa produžnim kablom. Spoj produžnog kabla mora da bude zaštićen od prskanja vode, mora da bude od gume ili da bude prevučen gumom. Produžni kabl mora da se koristi sa kablovskom uvodnicom odn. rasterećenjem zatezanja.







Priključni kabl se redovno mora kontrolisati u pogledu znakova oštećenja i sme se samo upotrebljavati u besprekornom stanju.



Ako je priključni vod oštećen, sme ga popraviti samo neka stručna Bosch-radionica.

Smeju da se koriste samo produžni kablovi tipa H05VV-F ili H05RN-F.

Simboli

Sledeći simboli su važni za čitanje i shvatanje uputstva za upotrebu. Zapamtite simbole i njihovo značenje. Pravilna interpretacija simbola Vam pomaže da baštenski uređaj koristite bolje i bezbednije.

Simbol	Značenje
	Nosite zaštitne rukavice
	Za čišćenje baštenskog uređaja ne upotrebljavajte tekuću vodu
	Pravac kretanja
	Pravac reakcije
	Uključivanje
	Isključivanje

Simbol	Značenje
	Zabranjeno rukovanje
	Pribor/rezervni delovi

Upotreba prema svrsi

Uređaj je predviđen za košenje trave, korova ispod grmlja, kao i na nagibima i čoškovima koji se ne mogu kositi sa kosačicom za travu.

Odredjena upotreba odnosi se na temperaturu okoline između 0 °C i 40 °C.

Tehnički podaci

Trimer za travu		ART 37
Broj predmeta		0 600 878 M..
Nominalna potrošnja	W	1000
Broj obrtaja na prazno	min ⁻¹	9000
Servo vođenje žice		Automatika pisanja mašinom
Podesiva ručka		●
Presek žice koja seče	mm	2,0
Prečnik sečenja	cm	37
Kapacitet namotaja žice	m	7
Težina prema EPTA-Procedure 01:2014	kg	4,6
Klasa zaštite		□/II
Serijski broj		vidi tipsku tablicu na baštenskom uređaju
Podaci važe za nominalne napone [U] od 230 V. Kod napona koji odstupaju i izvođenja specifičnih za zemlje mogu ovi podaci varirati. Molimo da obratite pažnju na broj predmeta na tipskoj tablici Vašeg baštenskog uređaja. Trgovačke oznake pojedinih baštenskih uređaja mogu varirati.		

Informacije o šumovima/vibracijama

Vrednosti emisije šumova se određuju u skladu sa EN 50636-2-91.

A-vrednovan nivo šumova uređaja iznosi tipično: Nivo zvučnog pritiska 83 dB (A); Nivo snage zvuka 103 dB (A). Nesigurnost K = 2,5 dB.

Ukupne vrednosti vibracija a_h (zbir vektora tri pravca) i nesigurnost K su dobijeni prema EN 60335: $a_h = 4,8 \text{ m/s}^2$, $K = 1,5 \text{ m/s}^2$.

Montaža i Rad

- ▶ **Ne priključujte baštenski uređaj na utičnicu, dokle god se potpuno ne sklopi.**
- ▶ **Posle isključivanja trimera za travu radi žica za sečenje još nekoliko sekundi. Sačekajte da se motor/žica za sečenje ne umire, pre nego što ponovo ne uključite trimer za travu.**
- ▶ **Ne isključujte i ponovo uključujte odmah jedno za drugim.**
- ▶ **Pritisnite okidač za servo vođenje žice rukom, jer se može ugrijati.**
- ▶ **Uklonite nahvatanu travu sa poklopca žice kada menjate žicu ili namotaj.**
- ▶ **Upotreba žice za sečenje koje je odobrio Bosch se preporučuje. Kod druge žice za sečenje može rezultat sečenja da odstupa.**
- ▶ **Opruga se mora ponovo upotrebiti pri ugradnji novog namotaja.**

Cilj rukovanja	Slika	Strana
Obim isporuke	1	27
Rukavac spojiti	2	27
Pričvrstiti dodatnu dršku	3	27
Montaža zaštitne haube	4	28
Montiranje kaiša za rame	5	28
Postavljanje produžnog kabla	6	28
Uključivanje	7	29
Isključivanje	7	29
Uputstva za rad	8	29
Podesiti žicu za sečenje	9	30
Zameniti namotaj za žicu	10	31
Namotati žicu na namotaj za nju	11	32
Ubaciti namotaj žice u poklopac namotaja	12	33
Održavanje, čišćenje i čuvanje	13 - 14	33 - 34
Biranje pribora	15	34

26 | Srpski

Traženje grešaka

Simptomi	Mogući uzroci	Pomoć
Trimer ne radi	Nema mrežnog napona	Prokontrolisati i uključiti
	Neispravna mrežna utičnica	Koristite drugu utičnicu
	Oštećen produžni kabl	Ispitajte i zamenite kabl ako je oštećen
	Osigurač je izbio	Promeniti osigurač
Trimer radi sa prekidima	Oštećen produžni kabl	Ispitajte i zamenite kabl ako je oštećen Potražiti ovlašćeni servis
	Interni kablovi baštenskog uredjaja su u kvaru	Potražiti ovlašćeni servis
Baštenski uredjaj je preopterećen	Trava je previsoka	Kositi postepeno
Baštenski uredjaj ne seče	Žica za sečenje je prekratka/prelomljena	Promeniti elemente za sečenje
Žica za sečenje ne ide	Namotaj za žicu je prazan	Zameniti namotaj za žicu
	Žica za sečenje je u namotaju zamršena	Ispitati namotaj žice i u datom slučaju ponovo namotati
Žica za sečenje se vraća unazad u namotaj	Žica za sečenje ne kreće posle dodirivanja	Namotaj za žicu ponovo namotati (pogledajte sliku 11)
Žica za sečenje se i dalje lomi	Žica za sečenje je u namotaju zamršena	Ispitati namotaj žice i u datom slučaju ponovo namotati
	Neispravno rukovanje sa trimenom za travu	Raditi samo sa vrhom žice za sečenje. Izbegavati dodirivanje kamenja, zidova i drugih čvrstih predmeta. Žicu za sečenje redovno produživati da bi iskoristili čeli presek sečenja.

Servisna služba i savetovanje o upotrebiwww.bosch-garden.com

Molimo navedite kod svih pitanja i naručivanje rezervnih delova neizostavno broj predmeta sa 10 mesta prema tipskoj tablici baštenskog uredjaja.

Srpski

Bosch-Service
Dimitrija Tucovića 59
11000 Beograd
Tel.: (011) 6448546
Fax: (011) 2416293
E-Mail: asboschz@EUnet.yu

Uklanjanje djubreta

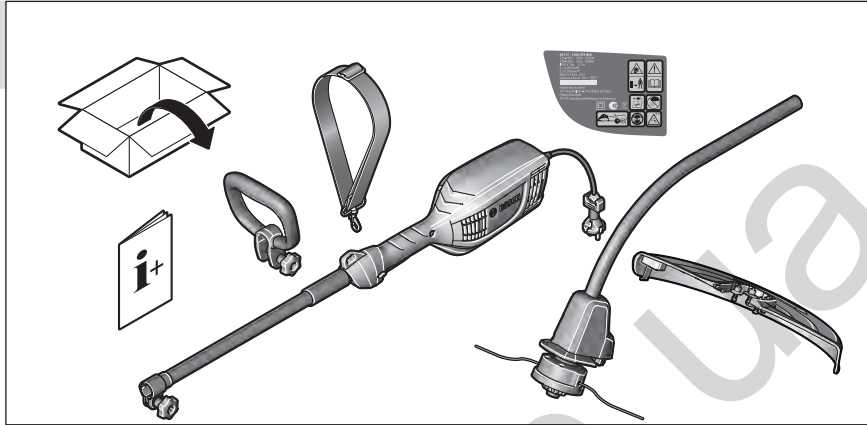
Ne bacajte baštenski uredjaj u kućno djubre!

Samo za EU-zemlje:

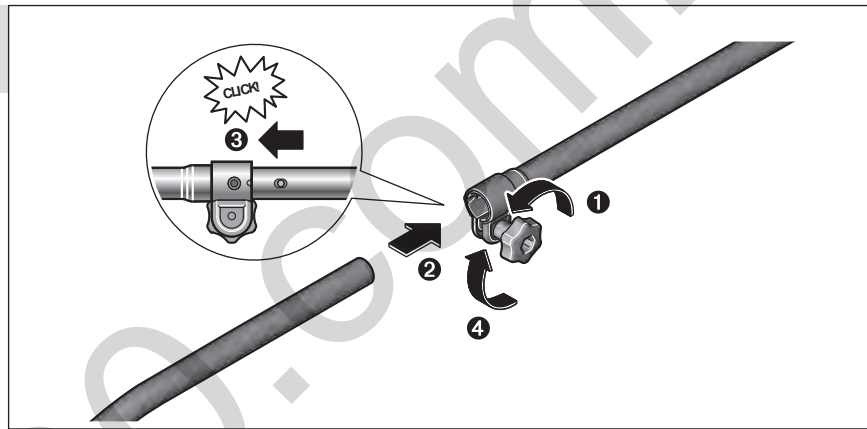
Prema evropskoj smernici 2012/19/EU o starim električnim i elektronskim uredjajima i njihovom pretvaranju u nacionalno dobro ne moraju više neupotrebljivi električni i elektronski uredjaji da se odvojeno sakupljaju i odvoze reciklaži koja odgovara zaštiti čovekove sredine.

Zadržavamo pravo na promene.

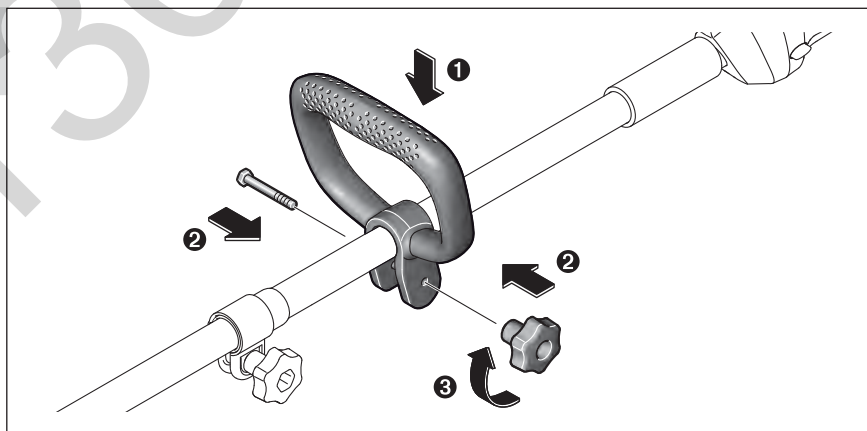
1



2

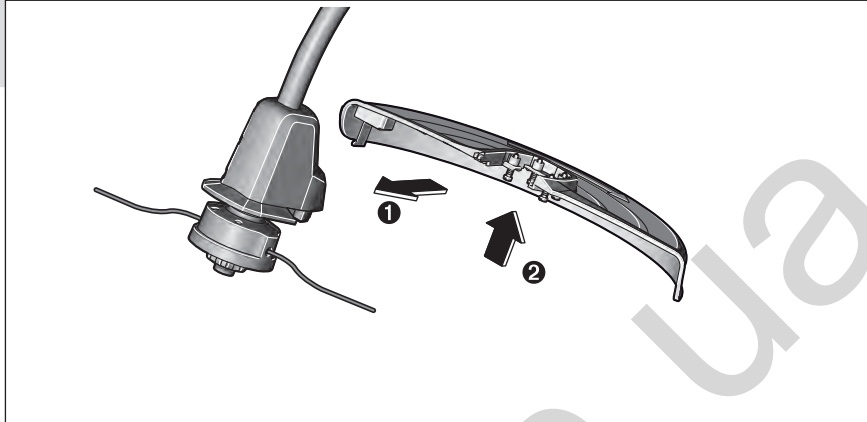


3

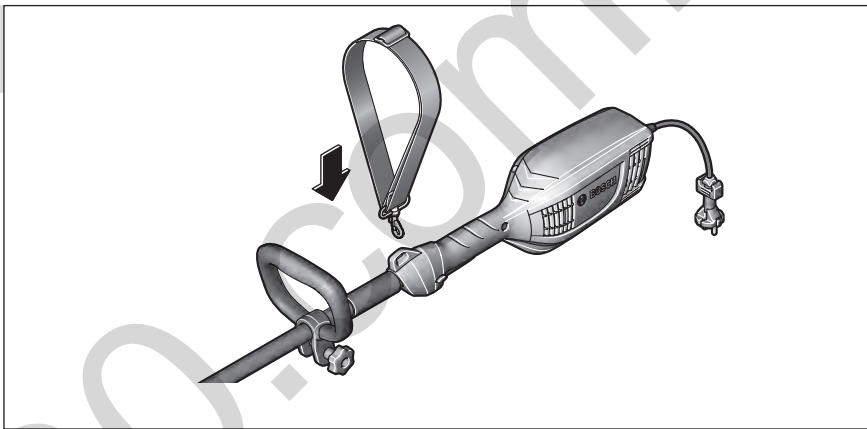


28 |

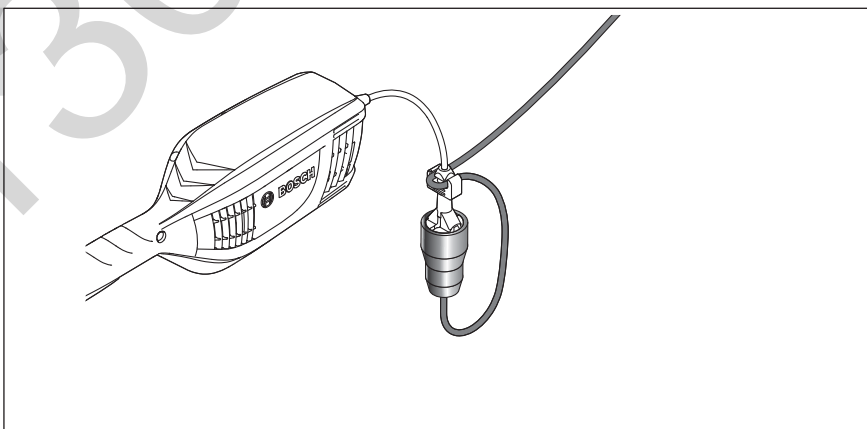
4

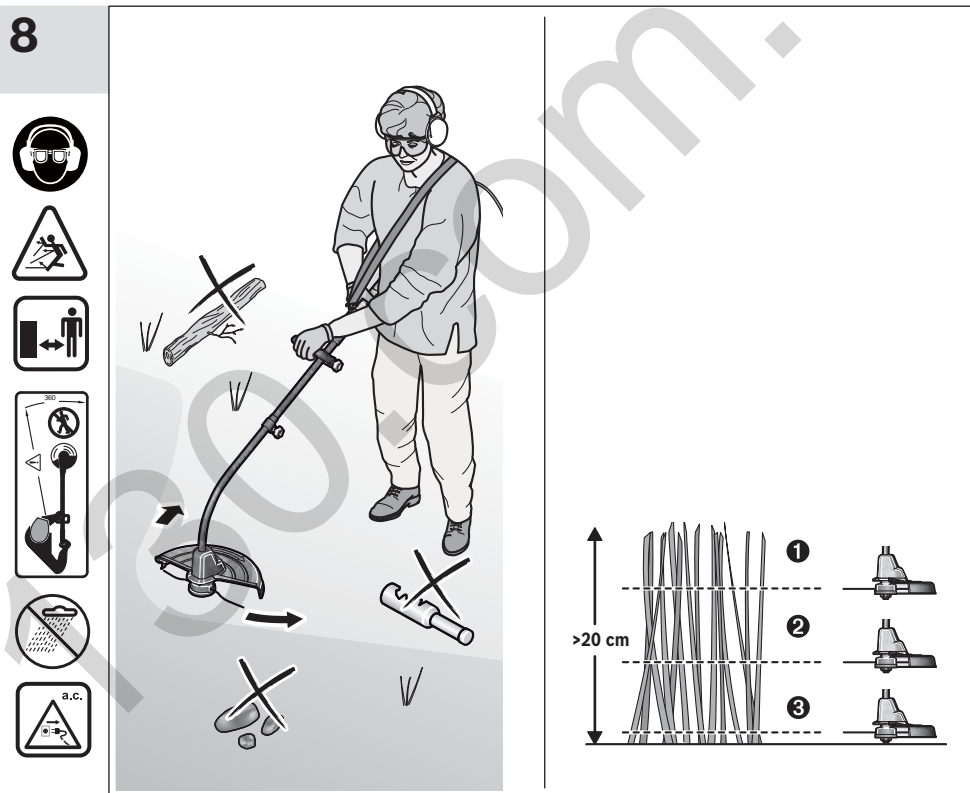
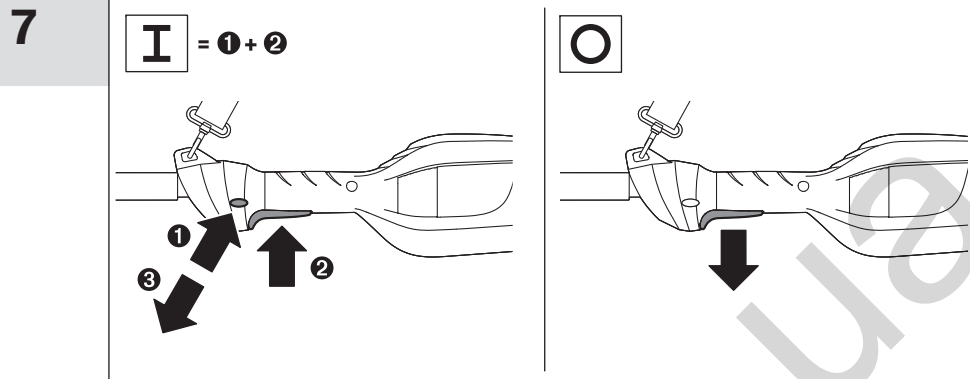


5

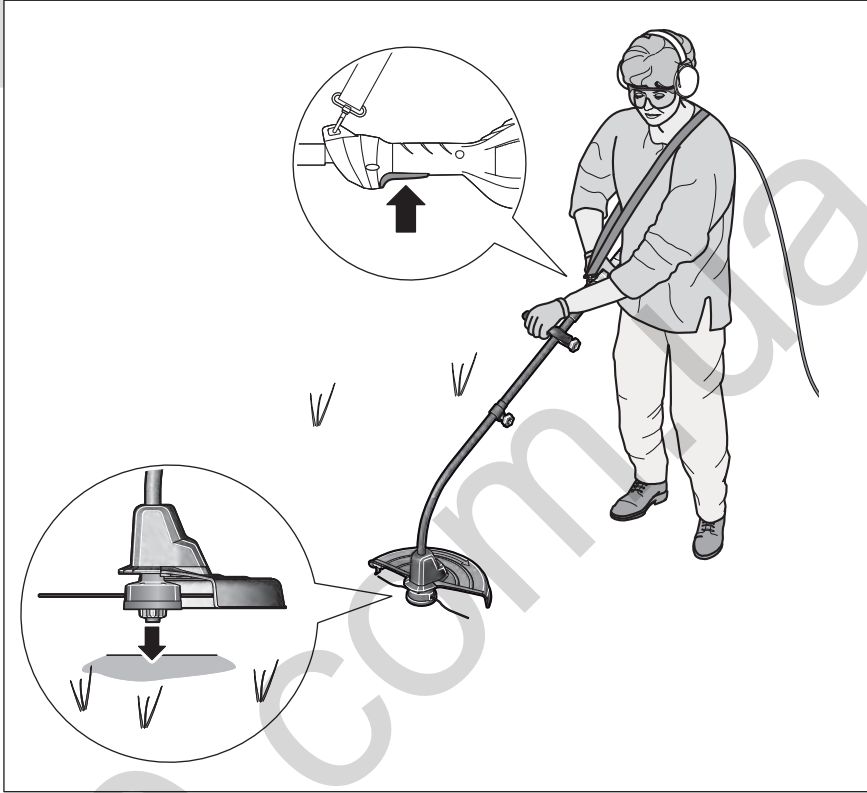


6

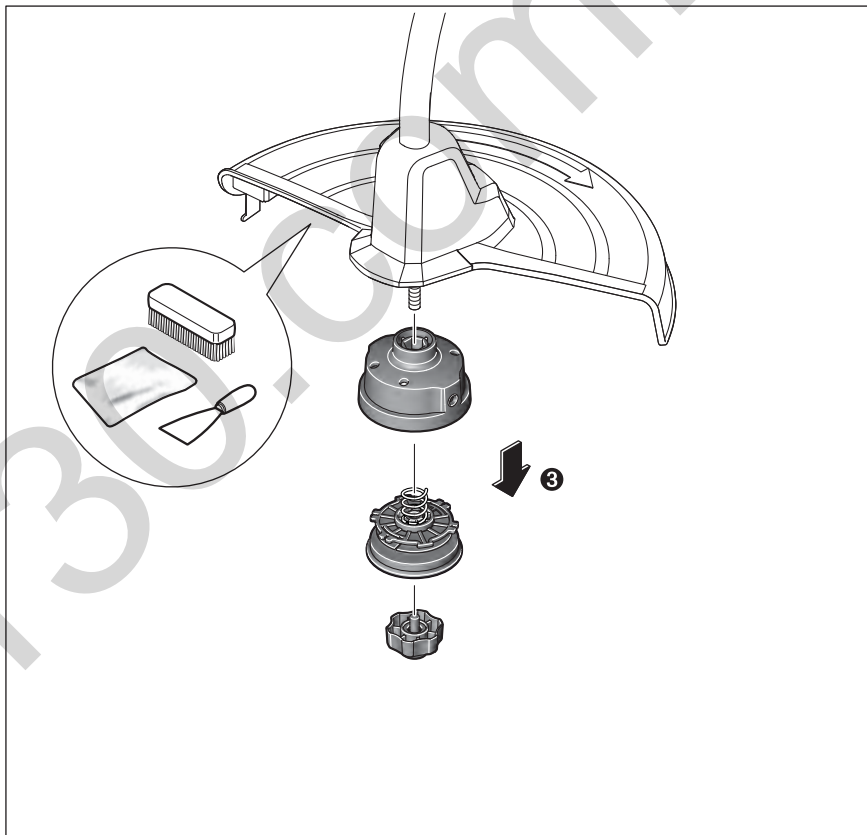
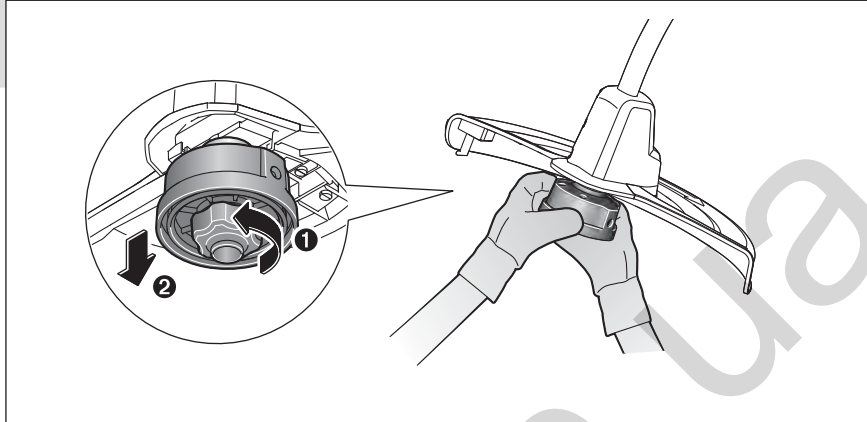




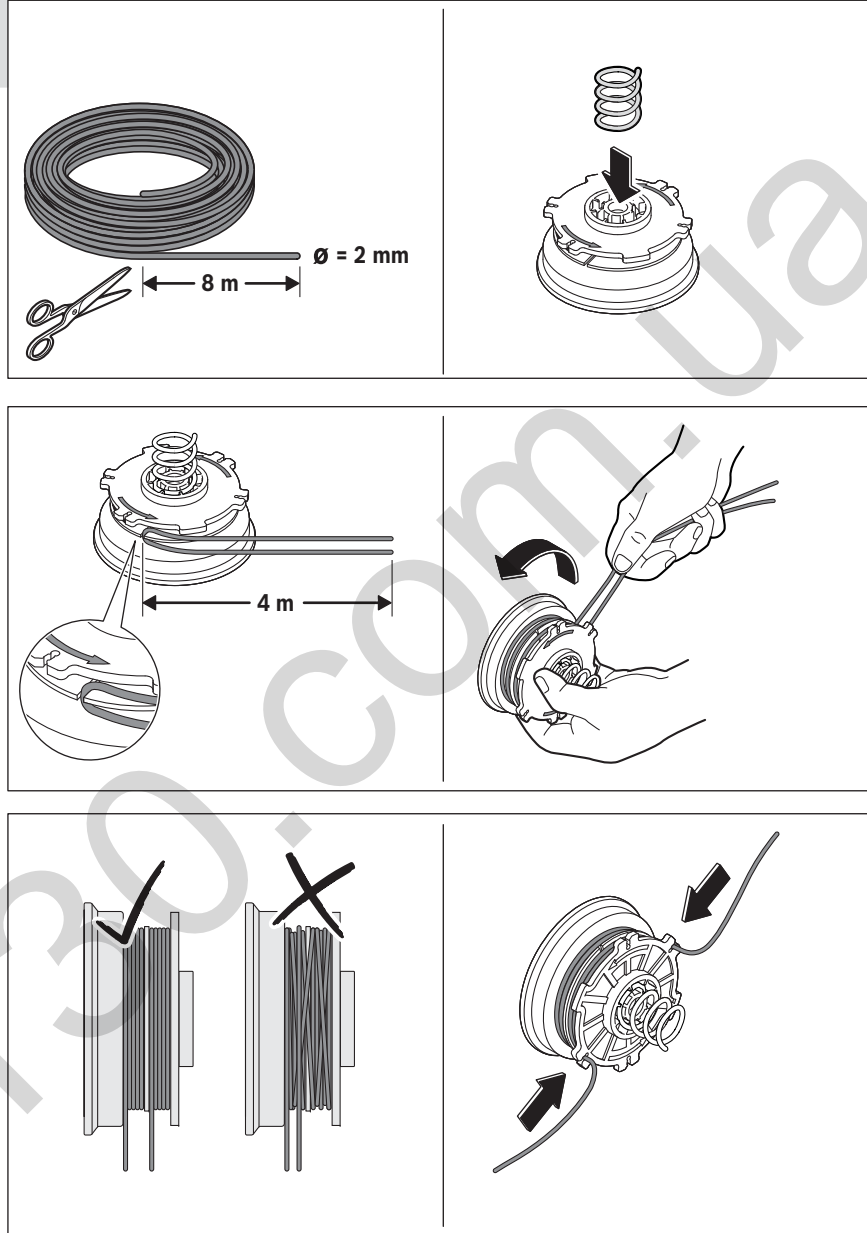
9



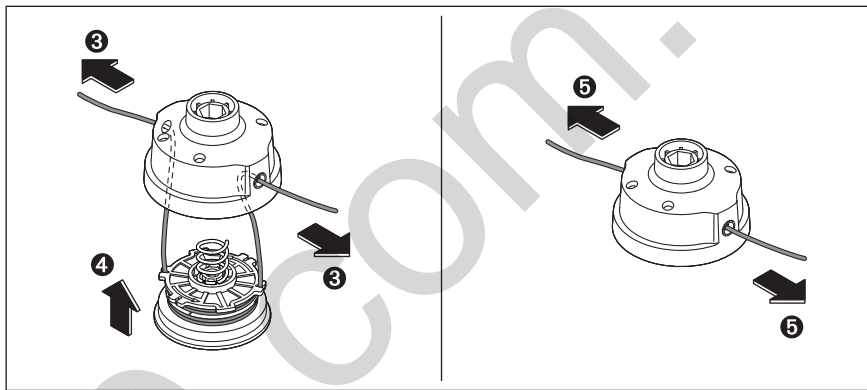
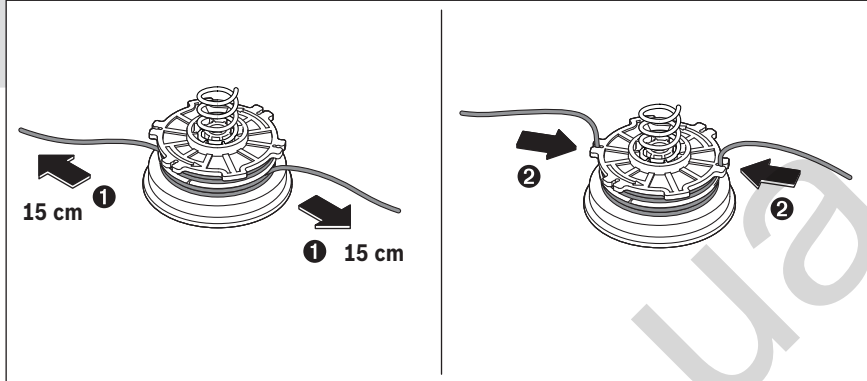
10



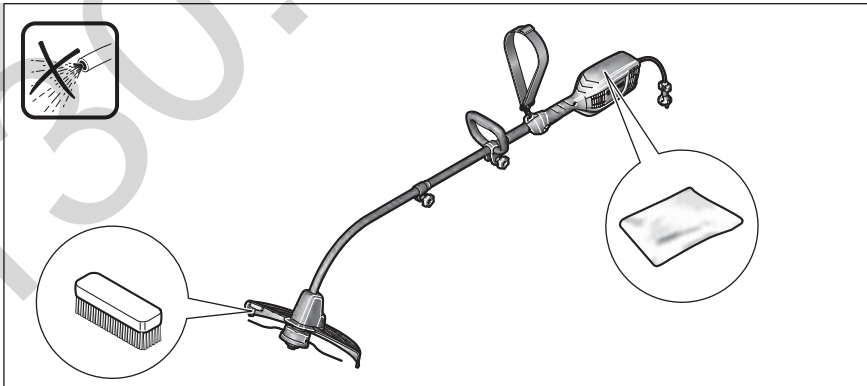
11



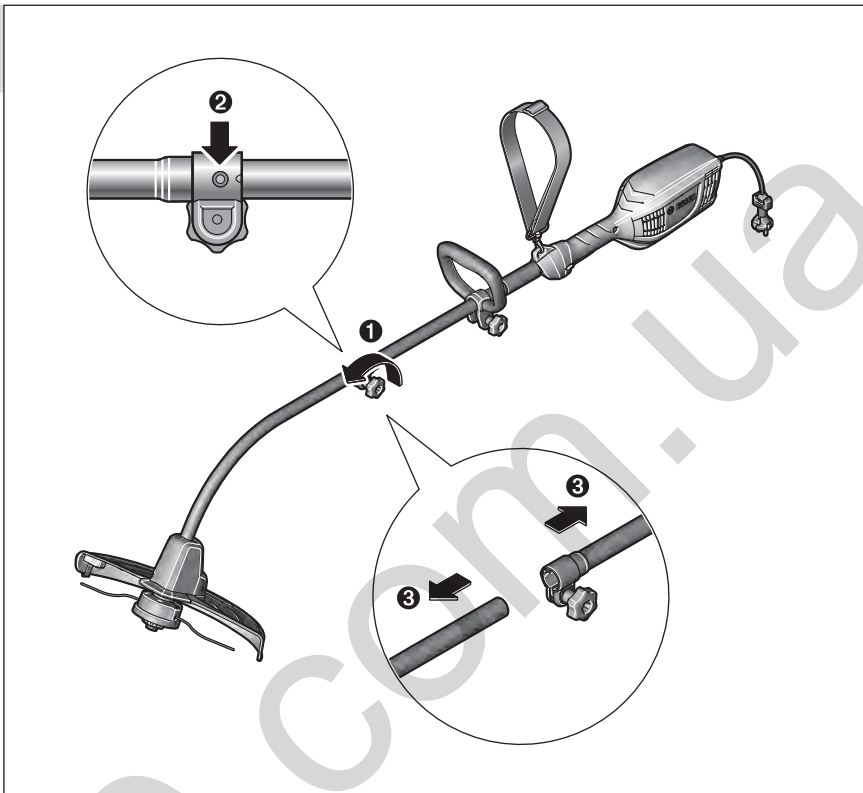
12



13



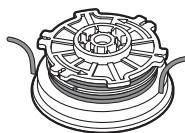
14



15



F 016 800 178



F 016 800 309



F 016 800 310