



PHONES

0 (800) 800 130  
(050) 462 0 130  
(063) 462 0 130  
(067) 462 0 130

130  
COM.UA

Internet store of  
autogoods



SKYPE

km-130

CAR RECEIVERS — Receivers • Media receivers and stations • Native receivers • CD/DVD changers • FM-modulators/USB adapters • Flash memory • Facia plates and adapters • Antennas • Accessories |  
CAR AUDIO — Car audio speakers • Amplifiers • Subwoofers • Processors • Crossovers • Headphones • Accessories | TRIP COMPUTERS — Universal computers • Model computers • Accessories |  
GPS NAVIGATORS — Portable GPS • Built-in GPS • GPS modules • GPS trackers • Antennas for GPS navigators • Accessories | VIDEO — DVR • TV sets and monitors • Car TV tuners • Cameras • Videomodules  
• Transcoders • Car TV antennas • Accessories | SECURITY SYSTEMS — Car alarms • Bike alarms • Mechanical blockers • Immobilizers • Sensors • Accessories | OPTIC AND LIGHT — Xenon • Bixenon • Lamps  
• LED • Stroboscopes • Optic and Headlights • Washers • Light, rain sensors • Accessories | PARKTRONICS AND MIRRORS — Rear parktronic • Front parktronic • Combined parktronic • Rear-view mirrors  
• Accessories | HEATING AND COOLING — Seat heaters • Mirrors heaters • Screen-wipers heaters • Engine heaters • Auto-refrigerators • Air conditioning units • Accessories | TUNING — Vibro-isolation  
• Noise-isolation • Tint films • Accessories | ACCESSORIES — Radar-detectors • Handsfree, Bluetooth • Windowlifters • Compressors • Beeps, loudspeakers • Measuring instruments • Cleaners • Car seats  
• Miscellaneous | MOUNTING — Installation kits • Upholstery • Grilles • Tubes • Cable and wire • Tools • Miscellaneous | POWER — Batteries • Converters • Start-charging equipment • Capacitors  
• Accessories | MARINE AUDIO AND ELECTRONICS — Marine receivers • Marine audio speakers • Marine subwoofers • Marine amplifiers • Accessories | CAR CARE PRODUCTS — Additives • Washer fluid •  
Care accessories • Car polish • Flavors • Adhesives and sealants | LIQUID AND OIL — Motor oil • Transmission oil • Brake fluid • Antifreeze • Technical lubricant



In store "130" you can find and buy almost all necessary goods for your auto in Kyiv and other cities, delivery by ground and postal services. Our experienced consultants will provide you with exhaustive information and help you to chose the very particular thing. We are waiting for you at the address

<https://130.com.ua>

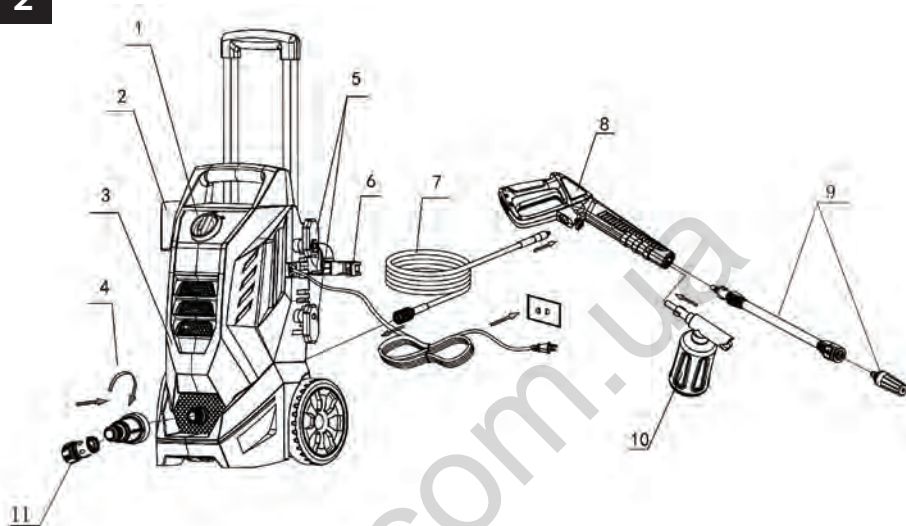
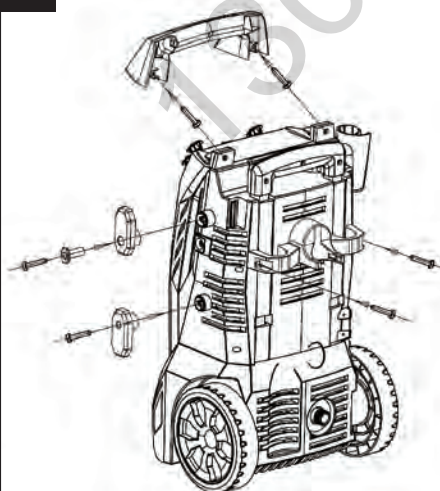
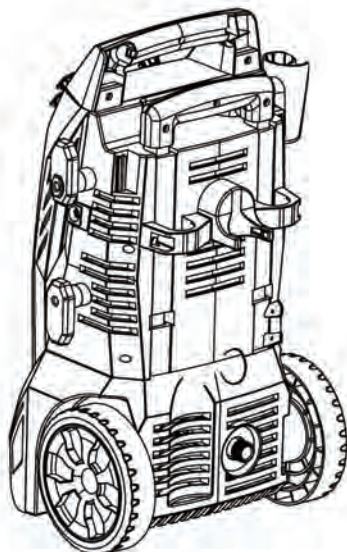


## **BHR-2200-Pro**

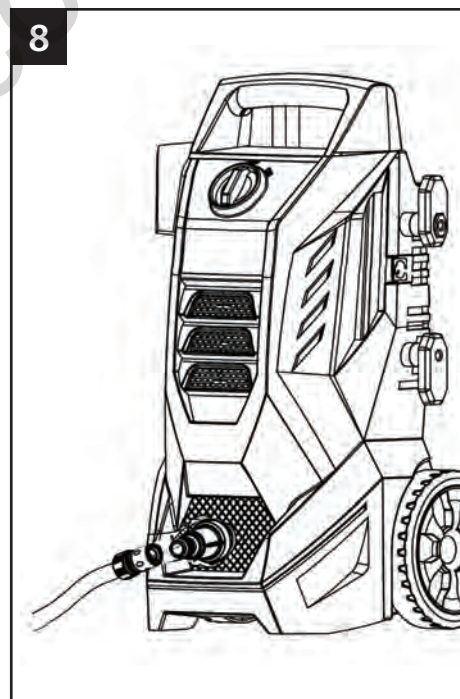
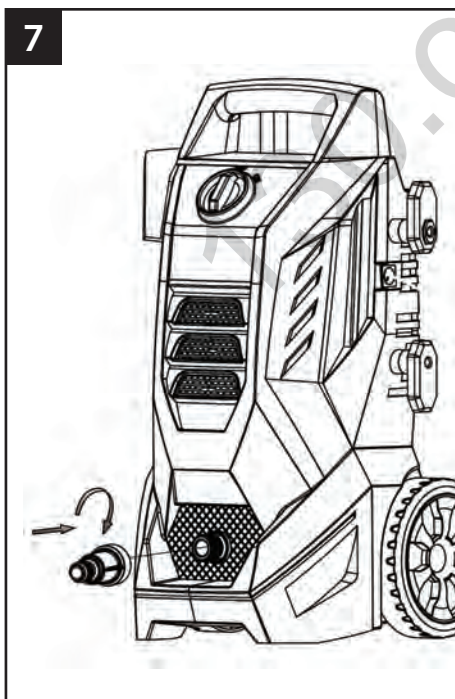
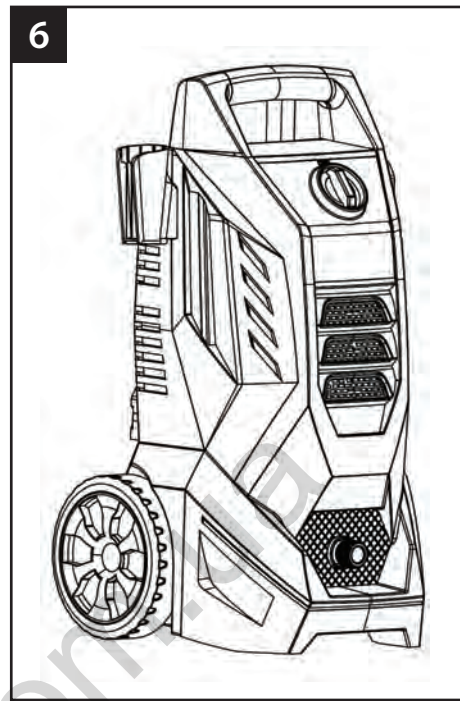
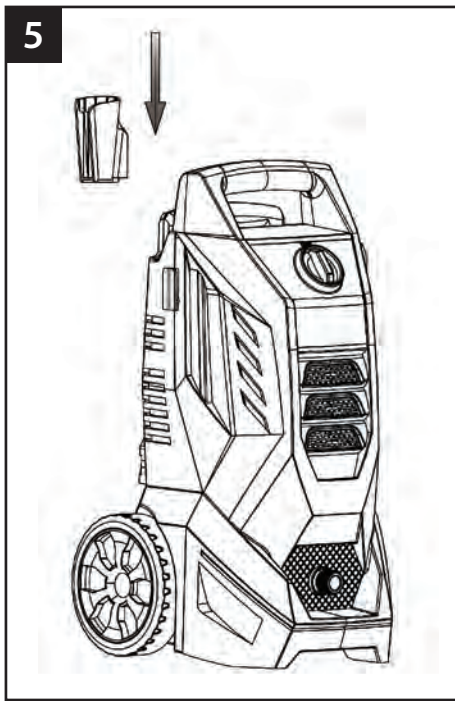
**93411997**

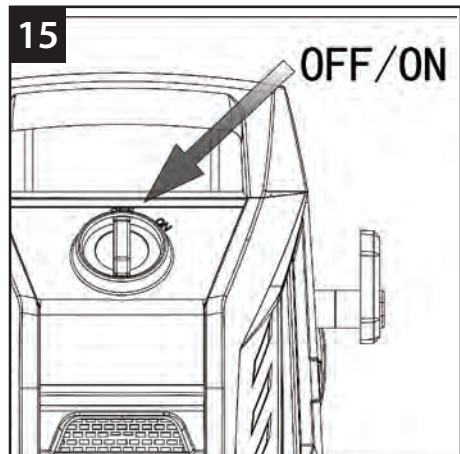
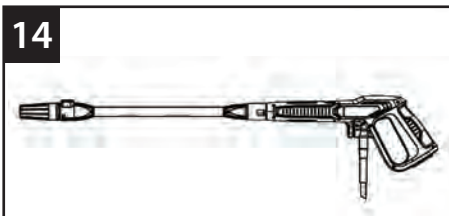
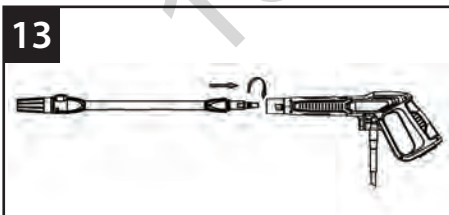
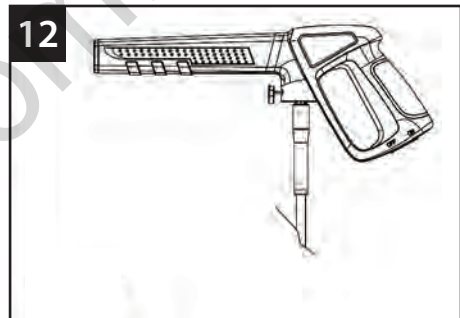
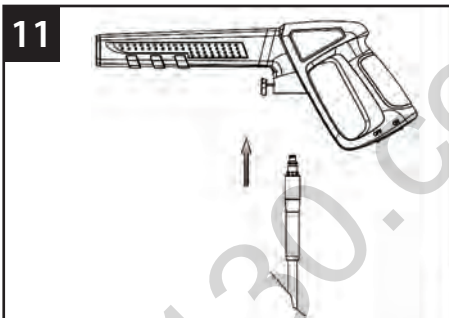
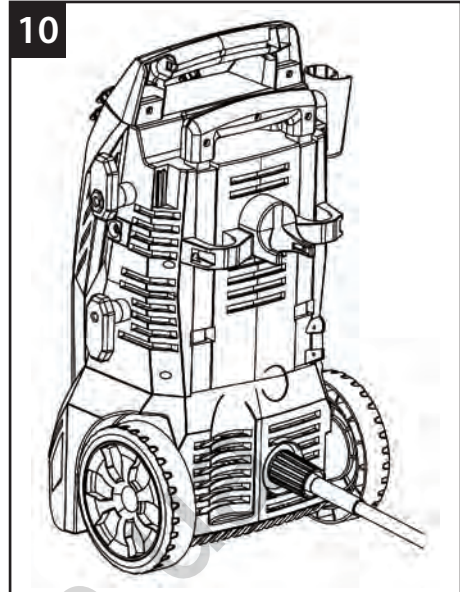
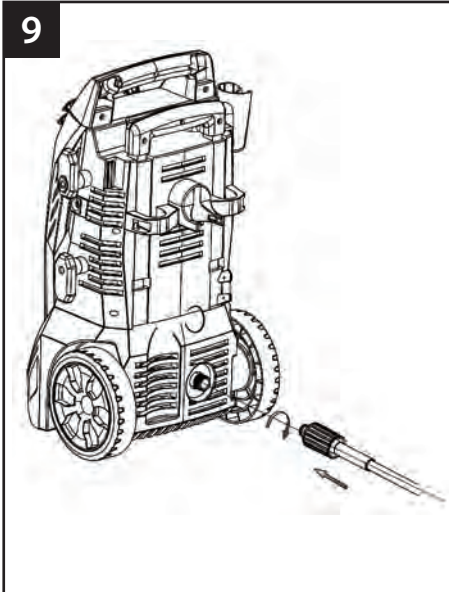
- GB** High pressure cleaner ..... 7
- RU** Мойка высокого давления ..... 10

130.com.ua

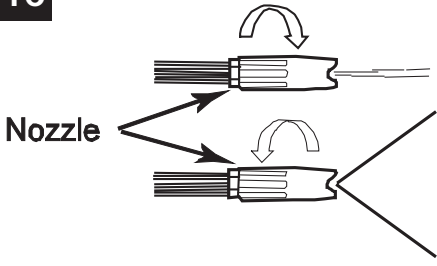
**1****2 000 W****160 bar****130 bar****8 l/min / 480 l/h****+****+****8 m****5 m****220 V / 50 Hz****10,5 kg****2****3****4**



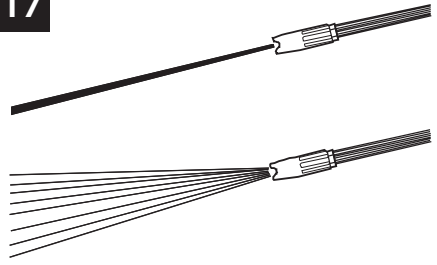




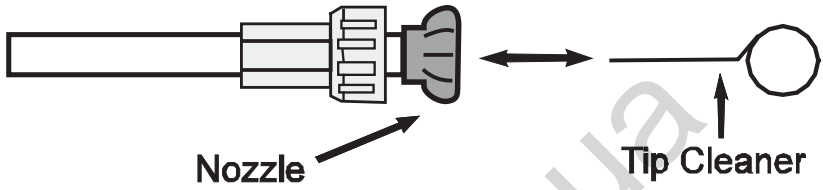
16



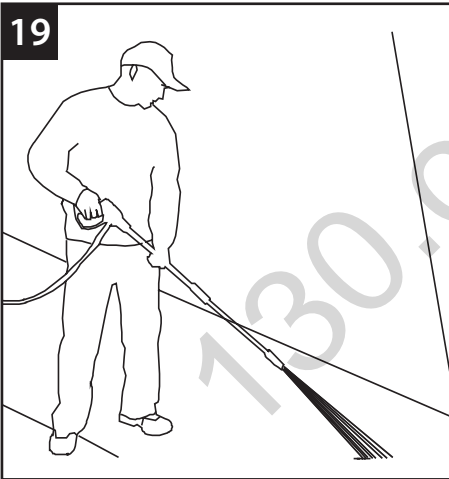
17



18



19



20



## HIGH PRESSURE CLEANER

### INTRODUCTION

The high pressure cleaner is quick and efficient for cleaning vehicles, machines, boats, buildings, etc., by the removal of stubborn dirt using clean water and chemical detergents.

When using chemical detergents, only use biodegradable types. Only clean vehicle engines in areas in which suitable oil traps are installed.

### TECHNICAL SPECIFICATIONS (FIG. 1)

Power consumption	2 000 W
Max pressure	160 bar
Working pressure	130 bar
Maximum output	8 l/min / 480 l/min
Auto-sucking function	+
Automatic blocking	+
Hose	8 m
Power cord length	5 m
Voltage / Current frequency	220 V / 50 Hz
Product weight	10,5 kg

### PRODUCT ELEMENTS (FIG. 2)

1. Switch;
2. Gun Holder;
3. Unit;
4. Water Inlet Adapter;
5. Cord Hook;
6. Foam Canon Hook;
7. Pressure Hose;
8. Gun Handle;
9. Gun Lance;
10. Foam Canon;
11. Quick Connector.

### THE COMPLETE SET INCLUDES:

- Adjustable spray nozzle;
- Pressure hose;
- Foam generator;
- Filter.

### Product Life:

The service life of the product is 5 years.

### Production date:

Is indicated on the packaging of the goods.

### Shelf life:

Shelf life is not limited (subject to storage conditions).

### Storage conditions:

Products are stored in dry, ventilated warehouses at temperatures from 0 °C to +40 °C with a relative humidity of not more than 80%.

### Transportation:

It is strongly prohibited dropping and any mechanical impact on the packaging during transportation.

When unloading / loading, it is not allowed to use any type of equipment that works on the principle of packing clamping.

### SAFETY INSTRUCTIONS

When using electric machines always observe the safety regulations applicable in your country to reduce the risk of fire, electric shock and personal injury. Read the following safety instructions and also the enclosed safety instructions.

Keep these instructions in a safe place!

#### Electrical safety

Always check if your mains voltage corresponds with the value on the type plate.

When replacing old cables or plugs: throw away old cables or plugs immediately as soon as new ones have replaced these. It is dangerous to put the plug of a loose cable into the socket outlet.

When using extension cables:

Only use an approved extension cable that is suitable for the machine's power. The cores must have a diameter of at least 1.5 mm<sup>2</sup>. When the extension cable is on a reel, unroll the cable in its entirety.

All electrical connections e.g. extension cable, must be of an approved waterproof type for outdoor use and marked accordingly. Extension cables must be threecore, one of which is EARTH.

#### Switch off the machine immediately in case of:

1. Malfunction in the mains plug, power cable or damaging of cable.
2. Broken switch.
3. Smoke or stench of scorched insulation.

#### Specific safety rules

- Do not disconnect the plug by pulling on the electrical cable.
- If you are too far from the object you wish to clean, do not move the cleaner nearer by pulling on the high pressure hose; use the handle provided.
- Do not obstruct the ventilation grilles during opera-



tion.

- The cross-section of any extension cables used must be proportional to their length, i.e. the longer the extension cable, the greater the cross-section; cables with a protection level of "IPX5" must be used.
- Position the high pressure cleaner AS NEAR POSSIBLE to the water supply.
- Use the high pressure cleaner only with accessories and replacement parts authorized by the manufacturer. The use of original accessories and replacement parts will ensure safe, trouble-free operation.
- Avoid unintentional firing of the trigger. Do not carry the lance / trigger assembly with your hand over the trigger. Always use the trigger lock mechanism.
- Ensure that the safety lock on the trigger is used, when you have stopped using the pressure washer to prevent accidental operation.
- Do not use the cleaner with inflammable or toxic liquids, or any products which are not compatible with the correct operation of the high pressure cleaner.
- Do not direct the water jet towards the unit itself, electrical parts or towards other electrical equipment.
- Do not allow children or incompetent persons to use the high pressure cleaner.
- Do not touch the plug and/or socket with wet hands.
- Do not use the high pressure cleaner if the electrical cable is damaged.
- Do not use the high pressure cleaner if the high pressure hose is damaged.
- Do not jam the trigger in the operating position.
- Check that the data plates are affixed to the high pressure cleaner, if not, inform your dealer. Cleaners without plates must NOT be used as they are unidentifiable and potentially dangerous.
- Do not tamper with or alter the calibration of the safety valve.
- Do not alter the original diameter of the spray head nozzle.
- Do not leave the high pressure cleaner unattended.
- Do not move the high pressure cleaner by pulling on the electrical cable.
- All electrical conductors **MUST BE PROTECTED** against the water jet.
- The high pressure cleaner **MUST ONLY BE CONNECTED** to a correctly earthed power supply.
- The high pressure may cause materials to bounce off surfaces at speed; therefore protective clothing and safety goggles **MUST BE WORN**.
- Before doing work on the cleaner, **REMOVE** the plug.
- Before pressing the trigger, **GRIP** the gun firmly to counteract the recoil.
- Maintenance and/or repair of electrical components **MUST** be carried out by qualified staff.
- **DISCHARGE** residual pressure before disconnecting

the high pressure cleaner hose.

- Before using the high pressure cleaner, **CHECK** every time that the screws are fully tightened and that there are no broken or worn parts.
- Only **USE** detergents which will not corrode the coating materials of the high pressure hose/electrical cable
- **ENSURE** that all people or animals keep a minimum distance of 16 yd. (15m) away.

## ASSEMBLY

Please read the below Operation Instruction carefully and follow it to avoid any problems when installing and operating the appliance. Please go to the dealer for exchange if assembly fails for not-matching accessories.

1. Fixing the handle and cord hook with enclosed screw and fixing foam canon hook. See figures 3 and 4;
2. Fixing the gun holder. See figures 5 and 6;
3. Connecting the water inlet hose to the water inlet adapter. See figure 7 and 8;
4. Connecting the pressure hose to the unit. See figures 9 and 10;
5. Connecting the pressure hose to the gun handle. See figures 11 and 12;
6. Connecting the gun lance to the gun handle. See figures 13 and 14;
7. Turning the tap on, making sure that the tap is fully open.
8. Triggering the gun to expel the air in the unit before its working;
9. Turning the On/Off switch to the Off position. See figure 15;
10. Putting plug into socket of main electric power.

Now, the pressure washer is ready for use.

## PRE-OPERATION:

### Adjusting fan pattern

The angle of spray coming out of the lance may be adjusted on some lances by rotating the nozzle. This will vary the spray pattern from approximately a 0° narrow high impact stream to a 60° wide fan spray (fig. 16-17).

A narrow stream has high impact force on the cleaning surface and results in maximum deep cleaning in a concentrated area. However, this narrow high impact spray must be used cautiously, as it may damage some surfaces.

A wide fan pattern will distribute the impact of the water over a larger area, resulting in excellent cleaning action with a reduced risk of surface damage. Large surface areas can be cleaned more quickly using a wide fan pattern.

### Nozzle cleaning instructions

A clogged or partially clogged nozzle can cause a significant reduction of water coming out of the nozzle

and cause the unit to pulsate while spraying. To clean out the nozzle:

1. Turn off and unplug unit.
2. Turn off water supply. Relieve any pressure trapped in the hose by squeezing trigger 2-3 times.
3. Separate lance from gun.
4. Rotate nozzle to the narrow stream setting. This opens up the fan blades.
5. Using included tip cleaner, or an unfolded paper clip, insert wire into the nozzle hole and move back and forth until debris is dislodged.
6. Remove additional debris by back-flushing water through the nozzle. To do this, place end of a garden hose (with water running) to end of nozzle for 30-60 seconds (fig. 18).

### EXPLOITATION

When spraying water against a surface, maximum impact is generated when the water strikes the surface "head on." However, this type of impact tends to cause dirt particles to imbed in the surface, thereby preventing the desired cleaning action.

The optimum angle for spraying water against a cleaning surface is 45 degrees (fig. 19).

Spraying water against a surface at this angle provides for the most beneficial impact force combined with efficient removal of debris from the surface.

Another factor that determines the impact force of the water is the distance from the spray nozzle to the cleaning surface. The impact force of the water is increased as the nozzle is moved closer to the surface.

### DETERGENTS

The use of detergents can dramatically reduce cleaning time and assist in the removal of difficult stains. Some detergents have been customized for pressure washer use on specific cleaning tasks. These detergents are approximately as thick as water. The use of thicker detergents, such as dish soap, will clog the chemical injection system and prevent the application of the detergent.

The cleaning power of detergents comes from applying them to a surface and giving the chemicals time to break down the dirt and grime. Detergents work best when applied at low pressure.

The combination of chemical action and high pressure rinsing is very effective. On vertical surfaces, apply the detergent starting at the bottom and work your way upward. This will prevent the detergent from sliding down and causing streaks. High pressure rinsing should also progress from the bottom to top. On particularly tough stains, it may be necessary to use a brush in combination with detergents and high pressure rinsing.



**NOTE:** Use only detergents formulated for pressure washes.

### WATER SUCKING FUNCTION

The Machine could connect to water supply tap, or suck water from a bucket.

Take the suck hose out of bucket, hold the Nozzle on Low pressure Position at first. Keep the machine running a few seconds to draw-out surplus water and air in the machine. Put hose back to water, hold the Nozzle on Low pressure Position. Switch it to High pressure Position after water flow a lot from Nozzle.

### SERVICE & MAINTENANCE



**WARNING!** Unplug the electric cable (power source) prior to any maintenance or preparatory storage operations.

Make sure that the machine is not live when carrying out maintenance work on the motor.

To ensure good performance, check and clean the suction and detergent filters after every 50 hours of operation.

Long periods of disuse may lead to the formation of lime scale deposits. Working through the hole on the rear, RELEASE the motor using a screwdriver (for models with this feature).

Then remove the screwdriver and proceed with the restart operations.

### Cleaning

Keep the ventilation slots of the machine clean to prevent overheating of the engine. Clean the housing regularly with a soft cloth, preferably every time it is used. Keep the air vents free from dust and dirt. Remove stubborn dirt with a soft rag moistened in soapy water. Do not use any solvents such as petrol, alcohol, ammonia, etc. as such substances can damage the plastic parts.

### Lubrication

The appliance does not need any extra lubrication.

### Storage and transportation

Keep the high pressure washer in well-ventilated dry premises with temperature not going below +5°C. Operate the cleaner with non-corrosive / non-toxic anti-freeze before storing for the winter.

### DISPOSAL



Discarded electric appliances are recyclable and should not be discarded in the domestic waste! Please actively support us in conserving resources and protecting the environment by returning this appliance to the collection centres (if available).

Made in China.

## МОЙКА ВЫСОКОГО ДАВЛЕНИЯ

### НАЗНАЧЕНИЕ

Данное устройство предназначено для быстрой и эффективной мойки автомобилей, машин, лодок, зданий и т.д. с использованием чистой воды и химических моющих средств для удаления устойчивых загрязнений. Пользуясь химическими моющими средствами, применяйте только средства, подверженные биологическому разложению.

Автомобильные двигатели промывайте только в местах, оборудованных маслоуловителями.

### ТЕХНИЧЕСКИЕ ХАРАКТЕРИСТИКИ (РИС. 1)

Потребляемая мощность	2 000 Вт
Максимальное давление	160 бар
Рабочее давление	130 бар
Максимальная производительность	8 л/мин / 480 л/час
Функция автоматического всасывания	+
Автостоп	+
Шланг	8 м
Длина шнура питания	5 м
Напряжение / Частота тока	220 В / 50 Гц
Вес изделия	10,5 кг

### УСТРОЙСТВО (РИС.2):

1. Выключатель;
2. Держатель пистолета;
3. Мойка;
4. Патрубок входной;
5. Держатель шнура питания;
6. Держатель пеногенератора;
7. Шланг высокого давления;
8. Рукоятка пистолета;
9. Копье пистолета;
10. Пеногенератор;
11. Быстросъемный адаптер.

### КОМПЛЕКТАЦИЯ:

- Пистолет-распылитель;
- Напорный шланг;
- Пеногенератор;
- Фильтр.

### Срок службы изделия

Срок службы изделия составляет 5 лет.

### Дата изготовления

Указана на упаковке товара.

### Срок хранения

Срок хранения не ограничен (при соблюдении условий хранения).

### Условия хранения

Продукция хранится в сухих, проветриваемых складских помещениях при температуре от 0°C до +40 °C при относительной влажности не более 80%.

### Транспортировка

Категорически не допускается падение и любые механические воздействия на упаковку при транспортировке.

При разгрузке/погрузке не допускается использование любого вида техники, работающей по принципу зажима упаковки.

### ПРАВИЛА ТЕХНИКИ БЕЗОПАСНОСТИ

Во избежание возгорания, поражения электрическим током и травм электрооборудование следует эксплуатировать в соответствии с требованиями данной инструкции.

#### Электротехническая безопасность

- Перед включением следует убедиться, что напряжение в сети питания соответствует напряжению электродвигателя мойки.
- Пользуйтесь только влагозащищенным удлинителем. Не рекомендуется использовать чрезмерно длинные удлинители. При использовании удлинителя на катушке он должен быть полностью размотан. Площадь поперечного сечения проводов удлинителя должна быть не менее 1,5 мм<sup>2</sup>.
- Мойку необходимо подключать через устройство защитного отключения (макс. ток утечки – 30 мА).
- Вынимая вилку из розетки, не тяните за шнур питания.
- Во избежание короткого замыкания не направляйте струю воды на сам аппарат и иное электрооборудование. Не пользуйтесь мойкой вне помещений в дождливую погоду.
- Не прикасайтесь мокрыми руками к вилке и (или) розетке сети питания.

#### Немедленно выключите мойку в случае:

1. Неисправности или повреждения вилки или шнура питания.
2. Поломки выключателя.
3. Появления дыма или запаха горелой изоляции.
4. Повреждения шланга высокого давления.

## Перед началом работы:

Убедитесь в том, что вода поступает в мойку должным образом. Эксплуатация мойки без воды может привести к ее повреждению.

Проверьте надёжность всех соединений и отсутствие повреждённых или изношенных деталей.

## Общие указания по безопасности

- Если вы находитесь слишком далеко от предмета, который собираетесь вымыть, не перемещайте аппарат путём перемещения его за шланг высокого давления или за шнур питания; используйте для этого специальную рукоятку.

- Для моделей, не оснащённых «автостопом», запрещено использование мойки в течение более чем 1-2 минут при закрытом пистолете, так как это может вывести аппарат из строя.

- В зимних условиях храните аппарат в теплом месте.

- При работе аппарата вентиляционные отверстия должны быть открыты.

- Располагайте аппарат как можно ближе к источнику водоснабжения.

- Используйте только те принадлежности и запасные части, которые рекомендованы производителем. Применение оригинальных принадлежностей и запасных частей обеспечит надёжную и безопасную работу.

- Устанавливайте мойку в устойчивом положении, на ровной поверхности.

- Не допускайте непреднамеренного нажатия на курок пистолета-распылителя. Не переносите мойку в сборе с пистолетом, держа палец на курке.

- Для предотвращения случайного включения по окончании работы с мойкой убедитесь, что курок пистолета заблокирован (рис. 5).

- Во избежание взрыва или отравления запрещается использовать при работе с мойкой легковоспламеняющиеся или токсичные жидкости либо иные средства, несовместимые с правильной работой мойки.

- Не направляйте струю воды на людей и животных: это травмоопасно. Посторонние люди и животные должны находиться на расстоянии не менее 10 метров от места работы.

- Не доверяйте использование аппарата детям или необученным лицам.

- Не фиксируйте курок пистолета в положении «Включено».

- Не допускается изменять оригинальный диаметр распылительной головки форсунки.

- Не оставляйте мойку без присмотра.

- Струя воды под большим давлением, попадая на предметы, может с силой отбрасывать их, поэтому при работе необходимо надевать спецодежду и

защитные очки.

- Перед нажатием курка пистолета крепко сожмите пистолет, чтобы его не вышло из руки при отдаче.

- Во избежание загрязнения соблюдайте требования местной организации водоснабжения. В соответствии со стандартом DIN 1988, моечные аппараты, работающие по принципу водяной струи высокого давления, разрешено подключать к сети питьевого водопровода, если на подводящем шланге имеется обратный клапан с дренажным устройством.

- Во избежание травм перед отсоединением шланга от аппарата следует сбросить остаточное давление.

## ЭКСПЛУАТАЦИЯ

Внимательно прочтите приведенную ниже инструкцию по эксплуатации и следуйте ей, чтобы избежать каких-либо проблем при установке и эксплуатации устройства. Обратитесь к дилеру для обмена, если при сборке не удастся собрать неподходящие аксессуары.

1. Фиксация ручки и крючка для шнура с помощью прилагаемого винта и фиксирующего крючка из пеноматериала (рис. 3-4).

2. Установка держателя пистолета (рис. 5-6). Подсоедините шланг к водозаборному переходнику (рис. 7-8).

3. Подсоедините напорный шланг к мойке (рис. 9-10).

4. Подсоедините напорный шланг к рукоятке пистолета (рис. 11-12).

5. Подсоедините штангу пистолета к рукоятке пистолета (рис. 13-14).

6. Откройте кран, убедившись, что кран полностью открыт.

7. Включите пистолет, чтобы выпустить воздух из устройства перед его работой.

8. Установите переключатель Вкл / Выкл в положение Выкл (рис. 15).

9. Вставьте вилку в розетку электросети.

Теперь мойка высокого давления готова к использованию.

## ПЕРЕД РАБОТОЙ:

### Регулировка форсунки

Вода может распыляться из форсунки либо узконаправленной струёй, либо веерообразно. Сначала подайте воду, затем отрегулируйте форсунку (рис. 16-17).

### Чистка форсунки

1. Отключите мойку при помощи выключателя .

2. Отключите аппарат от сети питания.

3. Отключите подачу воды при помощи вентиля.

4. Обязательно нажмите курок пистолета 2-3 раза,



чтобы сбросить давление в системе!

5. Поверните форсунку в режим узконаправленной струи.
6. С помощью специального крючка из комплекта поставки произведите чистку (рис. 18).

## РАБОТА

При распылении воды на поверхность, максимальный эффект возникает, когда вода падает на поверхность под углом 90 градусов. Тем не менее, не всегда удается очистить поверхность данным способом. Оптимальный угол для распыления воды с очищаемой поверхности – 45 градусов (рис. 19).

Грязь следует растворять, направляя веерообразную струю с мощным средством на сухую поверхность. Отмывать вертикальные поверхности следует, перемещая струю сверху вниз. Оставьте нанесенный раствор моющего средства на 1-2 минуты, но не позволяйте ему высохнуть. Затем подайте струю воды под высоким давлением, держа сопло на расстоянии около 30 см от поверхности и перемещая его снизу вверх.

## ИСПОЛЬЗОВАНИЕ МОЮЩЕГО СРЕДСТВА

**Примечание:** Используйте моющие средства, предназначенные для моек высокого давления. Перед использованием моющего средства сначала попробуйте его на какой-либо поверхности (рис. 19).

Емкость для моющего средства присоединяется к пистолету-распылителю так же, как и распылительная насадка. Заполните емкость жидким моющим средством. Теперь при нажатии на курок распылителя при работающем аппарате моющее средство будет разбрызгиваться вместе с водой (рис. 20).



**Примечание:** После каждого применения моющего средства промойте емкость водой.

## ВЫКЛЮЧЕНИЕ

1. Отключите мойку при помощи выключателя.
2. Отключите аппарат от сети питания.
3. Отключите подачу воды при помощи вентиля.
4. Обязательно нажмите курок пистолета, чтобы сбросить давление в системе!
5. Отсоедините подающий шланг от аппарата.
6. Протрите все поверхности мойки влажной чистой тканью.
7. Заблокируйте курок пистолета-распылителя.

## ВСАСЫВАЮЩАЯ ФУНКЦИЯ

Мойку можно подсоединить к таким источникам водоснабжения как водопроводный кран, либо подавать воду из открытых водоемов, емкостей с

водой.



### ПРЕДУПРЕЖДЕНИЕ!

Не допускайте использование грязной воды!

Для работы с подачей воды из емкости следует вынуть всасывающий шланг из емкости с водой. Насадка должна при этом находиться в положении подачи воды под низким давлением. После чего, необходимо дать мойке поработать вхолостую несколько секунд с тем, чтобы слить излишки воды и выпустить воздух. Снова вложить всасывающий шланг в емкость с водой и насадка при этом должна по-прежнему находиться в положении подачи под низким давлением. После чего следует переключить насадку в положение высокого давления после того, как из насадки сольется некоторое количество воды. Мойка готова к проведению работ под высоким давлением.

## ТЕХНИЧЕСКОЕ ОБСЛУЖИВАНИЕ И УХОД



**Перед техническим обслуживанием отключайте устройство от сети питания!**

### Уход

Каждый раз по окончании работы рекомендуется протирать корпус устройства и вентиляционные отверстия мягкой влажной тканью или салфеткой.

Недопустимо использовать для устранения загрязнений растворители: бензин, спирт, аммиачные растворы и т.п. Применение растворителей может привести к повреждению корпуса устройства.

### Проверка фильтра

Регулярно осматривайте и при необходимости прочищайте фильтр впускного патрубка, чтобы избежать его засорения и ухудшения подачи воды в насос.

### Смазка

Аппарат не нуждается в дополнительной смазке.

### Хранение

Храните мойку в хорошо вентилируемых помещениях с температурой не ниже +5°C. Длительные периоды простоя аппарата могут привести к образованию известковых отложений.

## УТИЛИЗАЦИЯ



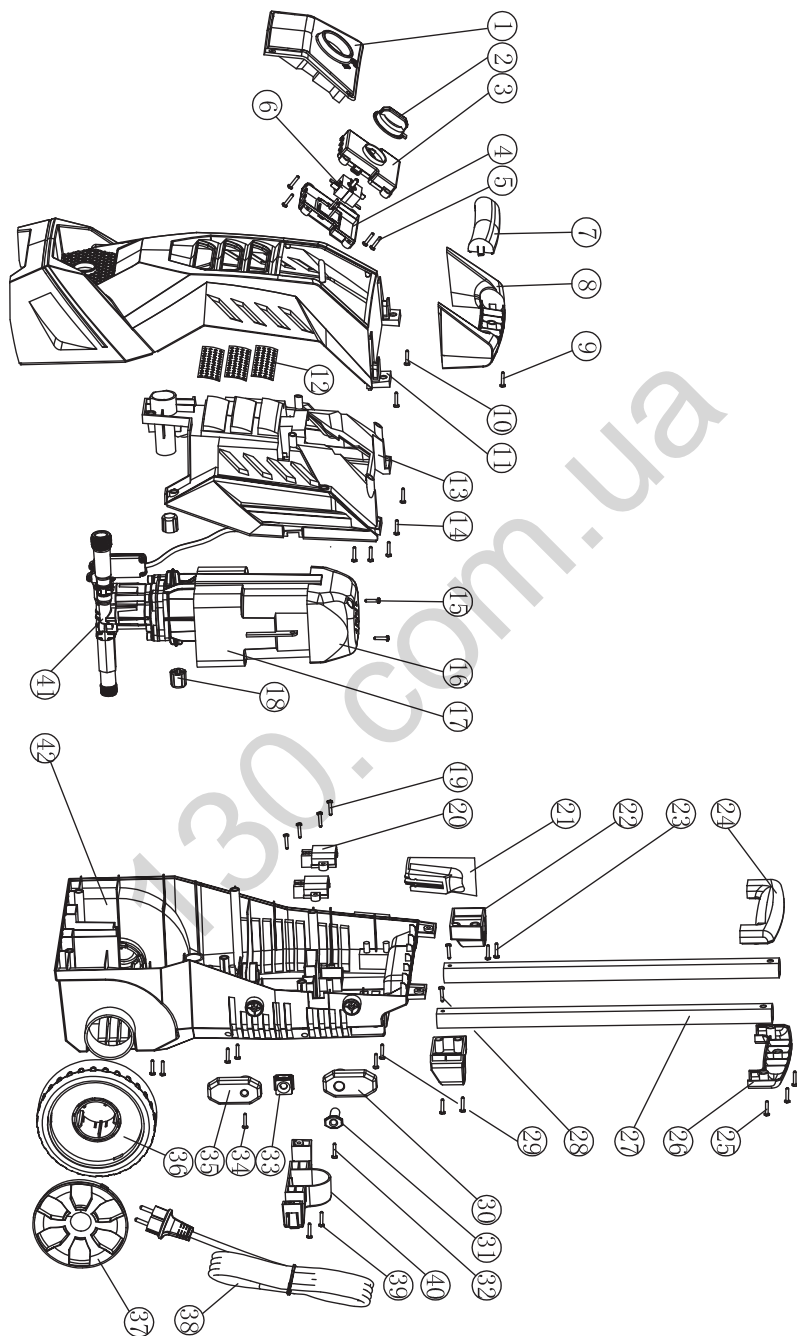
Старые электроприборы подлежат вторичной переработке и поэтому не могут быть утилизированы с бытовыми отходами!

Поэтому мы хотели бы попросить Вас активно поддерживать нас в деле экономии ресурсов и защиты окружающей среды и сдать этот прибор в приемный пункт утилизации (если таковой имеется).

Сделано в Китае.

130.com.ua

# EXPLODED VIEW



---

# SPARE PARTS LIST

## No. Part Name

- |    |                                  |    |                                |
|----|----------------------------------|----|--------------------------------|
| 1  | Case, micro switch               | 25 | Pin, inlet tube, U-shape       |
| 2  | Micro switch                     | 26 | Seal ring, triangle            |
| 3  | Tapping screw                    | 27 | Body, pump                     |
| 4  | Lead, micro switch               | 28 | Pin, outlet tube, U-shape      |
| 5  | Sheath, waterproof, micro switch | 29 | O-ring                         |
| 6  | Nut, hexagonal, overflow valve   | 30 | Base, master valve             |
| 7  | Water block, Y-shape             | 31 | O-ring                         |
| 8  | Retainer ring, water block       | 32 | Cap, globe valve               |
| 9  | Spring, rod, micro switch        | 33 | O-ring                         |
| 10 | Rod, micro switch                | 34 | Core, globe valve              |
| 11 | O-ring                           | 35 | Spring, globe valve            |
| 12 | Bolt, inner hexagonal            | 36 | Base, globe valve              |
| 13 | Core, overflow valve             | 37 | O-ring                         |
| 14 | O-ring                           | 38 | Base, non-return valve         |
| 15 | Base, overflow valve             | 39 | O-ring                         |
| 16 | Spring, overflow valve           | 40 | Base, spring, non-return valve |
| 17 | Rod, overflow valve              | 41 | Spring, non-return valve       |
| 18 | O-ring                           | 42 | Cap, non-return valve          |
| 19 | Spring, globe valve              | 43 | Bolt, inner hexagonal          |
| 20 | O-ring                           | 44 | Water block, pump body         |
| 21 | Outlet tube                      | 45 | Frame, water block, pump body  |
| 22 | Inlet tube                       | 46 | Oil seal, piston               |
| 23 | O-ring                           | 47 | Frame, piston                  |
| 24 | Cover, pump                      | 48 | O-ring                         |



- 
- |    |                       |    |                       |
|----|-----------------------|----|-----------------------|
| 49 | Piston                | 57 | Oil seal, oil tank    |
| 50 | Spring, piston        | 58 | Oil tank              |
| 51 | Base, spring, piston  | 59 | Gear 50TPI            |
| 52 | Ball bearing, 51107   | 60 | Ball bearing 629      |
| 53 | Bolt, inner hexagonal | 61 | O-ring                |
| 54 | Wobble plate          | 62 | Motor                 |
| 55 | Spindle               | 63 | Bolt, inner hexagonal |
| 56 | Ball bearing, 6303    |    |                       |

130.com.ua



**GB** Warranty terms

**RU** Условия гарантии

130.com.ua

**Dear customer!**

1. BORT GLOBAL LIMITED offers the 2-year warranty from the date of sale for all its products. Professional and commercial tools are not covered by the warranty. Repair is only available for a fee in this case.

2. Non-commercial use of the tools imposes limitations on the duration of its operation and restricts the intended usage to household purposes only. The continuous operating time should not exceed 40 hours. In addition, 10-15 minute breaks are to be made after every 15 minutes of continuous operation. Ignoring this condition when using the tools is a violation of the good operating practice (this provision does not apply to pumps, generators, chargers and similar equipment). Subject to the above mentioned condition, the service life of the tools is 5 years.

When you purchase a tool, a warranty card is issued (fields with a date of sale, model, and serial number are mandatory, other fields can also be completed). Please keep the card together with the sales receipt during the entire warranty period for presentation at the service centre.

Electric tools are only accepted for warranty repairs when assembled with all removable devices and their fastening elements (bus bars, saw blades, chains, knives, trimmer heads, injectors, sprockets, bolts, nuts, and mounting flanges) in working condition.

3. The warranty period is extended up to 3-5 years\*, provided the owner registers the electric power tool within 2 weeks after the purchase date. The extended warranty does not cover rechargeable tools, battery chargers, and supplied accessories. Registration is only possible online at [warranty.bort-global.com](http://warranty.bort-global.com). Please print the registration certificate at the time of registration. The certificate is the only confirmation of the fact of registration. The registration certificate should be presented at the service centre together with the warranty card and sales receipt.

4. The following malfunctions are eliminated free of charge during the warranty period:

- Damage to the instrument, caused by the use of low-quality materials
- Assembly defects due to the fault of the manufacturer.

5. The warranty does not cover:

- Malfunctions of the tools caused by the failure to comply with the operating instructions.
- Mechanical damage (cracks, chips, mechanical damage to power cords, mechanical damage to the enclosure, etc.), damage caused by exposure to aggressive environments and high temperatures, damage induced by the ingress of liquids or foreign matter into ventilation grids of the electric tools, as well as damage due to improper storage (corrosion of metal parts, etc.).
- Tools with defects which were caused by an overload (simultaneous failure of the rotor and stator), improper use (usage of blunt, unsuitable, unbalanced, or improperly chosen replacement devices), lack of maintenance or care, and use of the tools for purposes other than the intended purpose (for example, for processing of materials for which the tool is not intended, etc.), as well as by the instability of electric power supply, exceeding the standards set by EN 61000-3-2, EN 61000-3-3. Among others, undeniable signs of an overload include: changes in appearance, deformation or melting of parts and components of the product, darkening or charring of wire insulation under high

temperatures.

- Wear parts and materials (carbon brushes, belts, rubber gaskets, seals, guards, platforms, bus bars, gears, bearings, hubs, coil heaters, pulleys, rollers, rods, lock buttons, etc.), components (gears, shafts, bearings, rods, rollers, etc.) subject to deterioration due to lubrication wear-out, as well as replacement devices (drill chucks, SDS cartridges, platforms, collets, bus bars, flexible shafts, batteries, battery chargers, etc.) and supplies (knives, saws, abrasives, saw blades, drill bits, drills, lubrication, etc.), except in cases of mechanical damage of the above mentioned products due to failures of the electric tool which are covered by this warranty.
- Natural wear of the tool, its parts and components (wearing out of the resource, severe internal or external contamination, wearing out of the lubrication).
- Tools that were unsealed or repaired during the warranty period by persons or organizations who are not legally authorized to perform these activities.
- Tools with removed, erased, worn out or changed serial numbers, including cases when the data of the electric tool does not match the data of the warranty card.
- Preventive maintenance of the electric tools, for example, cleaning, washing, lubrication.

6. Do not operate electric tools exhibiting failure symptoms (high arcing, smell of burning, increased noise, severe vibration, uneven rotation, loss of power). Do not use the electric tools if there is any mechanical damage to the power cord (cracks, chips, tears, binds), AC plug, or the enclosure of the tool.

7. During the warranty period, faulty parts and components of the instrument are repaired or replaced free of charge. The Service Centre reserves the right to decide whether such parts and components are to be replaced or repaired.

If a failure or malfunction is recognized by BORT GLOBAL LIMITED as a warranty case, then it can be removed according to our own choice by repair or replacement of the defective tool. Replaced tools and parts become the property of the Service Centre of BORT GLOBAL LIMITED.

8. Guidelines for the preventive maintenance of electric tools:

Regular preventive maintenance (cleaning, washing, relubrication of bearings and gearbox, replacement of fast wearing parts) is recommended for the tools. Maintenance ensures perfect operation of the electric tool during its entire service life cycle. The frequency of preventive maintenance at rated load is determined according to the natural wear of carbon brushes. Maintenance work is charged according to the price list of the service centre. Any failures covered by the warranty and detected in the course of maintenance are repaired free of charge. Warranted failures, which are detected by the diagnostics, are eliminated as agreed by the parties according to the routine procedure.

Preventive maintenance does not extend the duration of the warranty period.

Other claims, except for the above mentioned right for free remedial measures, are not covered by this warranty.

9. This warranty does not affect other legal consumer rights granted by the applicable laws.

\* Depending on the model.

## Уважаемый потребитель!

Сообщаем Вам, что вся наша продукция сертифицирована на соответствие российским требованиям безопасности согласно Закону РФ «О защите прав потребителей».

**1.** BORT GLOBAL LIMITED предлагает 2 года гарантии на свою продукцию, считая от даты продажи. На инструмент используемый в профессиональных, коммерческих целях гарантия не распространяется, подлежит только платному ремонту.

**2.** Бытовое использование инструмента характеризует ограничение по времени работы и подразумевает использование его для бытовых нужд, не более 40 часов наработки, при этом через каждые 15 минут непрерывной работы необходимо делать перерыв на 10-15 минут. Использование инструмента вопреки этому условию является нарушением правил надлежащей эксплуатации (данное условие не распространяется на насосы, генераторы, зарядные устройства и аналогичное оборудование). Срок службы инструмента при соблюдении вышеуказанного условия – 5 лет.

При покупке инструмента выписывается гарантийный талон (обязательно указываются дата продажи, модель, серийный номер инструмента, заполняются прочие поля). Просьба сохранять талон и кассовый чек в течение гарантийного срока для предъявления в сервисном центре.

Электроинструмент принимается в гарантийный ремонт только в собранном виде, с рабочими сменными приспособлениями и элементами их крепления (шины, пыльные диски, цепи, ножи, триммерные головки, форсунки, звездочки, болты, гайки, фланцы крепления инструмента).

**3.** Гарантийный срок продлевается до 3-5 лет\*, если владелец регистрирует электроинструмент в течение 2 недель с момента покупки. Увеличение срока гарантии не распространяется на аккумуляторный инструмент, зарядные устройства и принадлежности, входящие в комплект поставки. Регистрация осуществляется только на сайте [warranty.bort-global.com](http://warranty.bort-global.com) Подтверждением регистрации является регистрационный сертификат, который следует распечатать на принтере во время регистрации. Регистрационный сертификат предъявляется в сервисном центре вместе с гарантийным талоном и кассовым чеком.

**4.** В течение гарантийного срока устраняются бесплатно:

- Повреждения инструмента, возникшие из-за применения некачественного материала.
- Дефекты сборки, допущенные по вине изготовителя.

**5.** Гарантия не распространяется:

- На неисправности инструмента вызванные, несоблюдением инструкций по эксплуатации.
- На механические повреждения (трещины, сколы, механические повреждения сетевых шнуров, механические повреждения корпуса и т.п.) и повреждения, вызванные воздействием агрессивных сред и высоких температур, попаданием жидкостей, инородных предметов в вентиляционные решетки электроинструмента, а также повреждения, наступившие вследствие неправильного хранения (коррозия металлических частей и т.п.);
- На инструменты с неисправностями, возникшими вследствие перегрузки (одновременный выход из строя ротора и статора) или неправильной эксплуатации (использование затупленного, неподходящего, неотбалансированного, неправильно подобранного сменного инструмента), недостаточного технического обслуживания или ухода, применения инструмента не по назначению (использование для работы по материалу, для работы по которому инструмент не предназначен и т.п.), а также нестабильности параметров электросети, превышающих нормы, установленные ГОСТ 13109-97. К безосновным признакам перегрузки изделия относятся, помимо

прочих: изменения внешнего вида, деформация или оплавление деталей и узлов изделия, потемнение или обугливание изоляции проводов под воздействием высокой температуры.

- На быстроизнашивающиеся изделия и материалы (угольные щетки, ремни, резиновые уплотнения, сальники, защитные кожанки, платформы, шины, шестерни, подшипники, втулки, спирали накала, шкивы, ролики, штоки, стопорные кнопки и т.п.), на детали (шестерни, валы, подшипники, штоки, ролики и т.п.) подвергшиеся износу по причине выработки смазки, а также на сменные принадлежности (сверлильные патроны, SDS патроны, платформы, цапги, шины, гибкие валы, аккумуляторные батареи, зарядные устройства и т.п.) и расходные материалы (ножи, пилки, абразивы, пыльные диски, сверла, буры, смазку и т. п.), за исключением случаев механических повреждений вышеперечисленных изделий, произошедших вследствие гарантийной поломки электроинструмента;
- Естественный износ инструмента или его деталей (выработка ресурса, сильное внутреннее или внешнее загрязнение, выработка смазки);
- На инструмент, вскрывавшийся или ремонтировавшийся в течение гарантийного срока лицами или организациями, не имеющими юридических полномочий производить ремонт;
- На инструмент с удаленным, стертым или измененным заводским номером, а также, если данные на электроинструменте не соответствуют данным на гарантийном талоне;
- На профилактическое обслуживание электроинструмента, например; чистку, промывку, смазку.

**6.** Не допускается эксплуатация электроинструмента с признаками неисправности (повышенное искрение, запах гари, повышенный шум, сильная вибрация, неравномерное вращение, потеря мощности). Запрещается эксплуатация электроинструмента при наличии механических повреждений шнура электропитания (трещин, сколов, разрывов, связок), сетевой вилки, а также поврежденный корпус электроинструмента. При повреждении шнура электропитания необходимо заменить его, обратившись в Сервисный центр.

**7.** Неисправные узлы инструментов в гарантийный период бесплатно ремонтируются или заменяются новыми. Решение вопроса о целесообразности их замены или ремонта остается за Службой сервиса.

Устранение неисправностей, признанных нами как гарантийный случай, осуществляется на выбор компании BORT GLOBAL LIMITED посредством ремонта или замены неисправного инструмента. Замененные инструменты и детали переходят в собственность Службы сервиса BORT GLOBAL LIMITED.

**8.** Рекомендации по профилактическому обслуживанию электроинструмента:

Для электроинструмента рекомендуется проведение регулярного профилактического обслуживания (чистка, мойка, замена смазки; замена быстроизнашиваемых деталей. Это обеспечивает безопасную работу электроинструмента во время всего срока службы. Периодичность проведения профилактического обслуживания при номинальной нагрузке равна сроку естественного износа угольных щеток. Работа по проведению профилактического обслуживания оплачивается согласно действующему прейскуранту сервисного центра. Выявленные при проведении профилактического обслуживания неисправности, попадающие под действие гарантии, устраняются бесплатно. Негарантийные поломки, выявленные при диагностике, устраняются по согласованию сторон в обычном порядке. Проведение профилактического обслуживания не меняет продолжительности срока гарантии. Другие претензии, кроме упомянутого права на бесплатное устранение недостатков инструмента, под действие настоящей гарантии не подпадают.

**9.** Настоящая гарантия не ущемляет других законных прав потребителя, предоставленных ему действующим законодательством.

\* В зависимости от модели.



## ВОЗМОЖНЫЕ НЕИСПРАВНОСТИ И МЕТОДЫ ИХ УСТРАНЕНИЯ

Неисправность	Вероятная причина	Действия по устранению
<b>При включении мойка не работает</b>	Вилка неправильно подключена или неисправна электрическая розетка	Проверьте вилку, розетку и предохранитель
	Напряжение сети ниже минимального требования для запуска	Убедитесь, что напряжение в сети соответствует требованиям
	Насос застрял	Обратитесь к инструкции по хранению. Выключите прибор и дайте двигателю остыть
	Сработала тепловая защита	Оставьте мойку открытой для того, чтобы вытекла лишняя вода
<b>Давление колеблется</b>	Насос не всасывает воздух	Убедитесь, что шланги и соединения герметичны
	Клапаны загрязнены, изношены или застряли / Изношены уплотнения насоса	Очистите и замените, или обратитесь в специализированный Сервисный центр для ремонта
<b>Утечка воды из насоса</b>	Изношены уплотнения	Проверьте и замените, или обратитесь в специализированный Сервисный центр для ремонта
<b>Двигатель внезапно останавливается</b>	Сработал тепловой предохранительный выключатель из-за перегрева	Убедитесь, что сетевое напряжение соответствует техническим характеристикам. Слишком тонкий удлинительный кабель может вызвать падение напряжения и перегрев двигателя. Оставьте остыть. Используйте удлинительные кабели для трудных условий эксплуатации
<b>Насос не достигает необходимого давления</b>	Фильтр засорен	Очистите фильтр
	Насос всасывает воздух из соединений или шлангов	Убедитесь, что все соединения питания затянуты
	Всасывающий / нагнетательный клапаны забиты или изношены	Убедитесь, что шланг подачи воды не протекает
	Разгрузочный клапан не срабатывает	Очистите клапан
	Насадка-копье неправильная или изношенная	Ослабьте и снова затяните регулировочный винт. Проверьте и / или замените

Сделано в Китае

130.com.ua

## РЕКОМЕНДАЦИИ ПО ПРОФИЛАКТИЧЕСКОМУ ОБСЛУЖИВАНИЮ ЭЛЕКТРОИНСТРУМЕНТА

Для электроинструмента рекомендуется проведение регулярного профилактического обслуживания (чистка, мойка, замена смазки в редукторе и подшипниках; замена быстроизнашиваемых деталей). Это обеспечивает безупречную работу электроинструмента во время всего срока службы. Желательная периодичность проведения профилактического обслуживания при номинальной нагрузке равна сроку естественного износа угольных щеток. Работа по проведению профилактического обслуживания оплачивается согласно действующему прейскуранту сервисного центра. Выявленные при проведении профилактического обслуживания неисправности, попадающие под действие гарантийных обязательств, устраняются бесплатно. Негарантийные поломки, выявленные при диагностике, устраняются по согласованию сторон в обычном порядке.

Проведение профилактического обслуживания не изменяет гарантийный срок инструмента!

### УСЛОВИЯ ГАРАНТИИ

«BORT GLOBAL LIMITED» рассматривает гарантийные претензии только при наличии правильно заполненного гарантийного талона установленного образца. При покупке инструмента выписывается гарантийный талон (обязательно указываются дата продажи, модель, серийный номер инструмента, заполняются прочие поля). Просьба сохранять талон и кассовый чек в течение гарантийного срока. «BORT GLOBAL LIMITED» предлагает 2 года гарантии на продукцию торговой марки Bort, считая от даты покупки.

Срок службы инструмента при соблюдении вышеуказанного условия – 5 лет.

Не допускается эксплуатация электроинструмента с признаками неисправности (повышенное искрение, запах гари, повышенный шум, сильная вибрация, неравномерное вращение, потеря мощности). Запрещается эксплуатация электроинструмента при наличии механических повреждений шнура электропитания (трещин, сколов, разрывов, связей), сетевой вилки, а также поврежденный корпус электроинструмента.

Электроинструмент принимается в гарантийный ремонт только в собранном виде, с рабочими сменными приспособлениями и элементами их крепления (шины, пильные диски, цепи, ножи, триммерные головки, форсунки, звездочки, болты, гайки, фланцы крепления инструмента).

Неисправные узлы инструментов в гарантийный период бесплатно ремонтируются или заменяются новыми. Решение вопроса о целесообразности их замены или ремонта остается за Службой сервиса. Заменяемые детали переходят в собственность Службы сервиса.

В течение гарантийного срока устраняются бесплатно:

- Повреждения инструмента, возникшие из-за применения некачественного материала.
- Дефекты сборки, допущенные по вине изготовителя.

Настоящая гарантия не ущемляет других законных прав потребителя, предоставленных ему действующим законодательством страны.

### ГАРАНТИЯ НЕ РАСПРОСТРАНЯЕТСЯ:

На механические повреждения (трещины, сколы, механические повреждения сетевых шнуров, механические повреждения корпуса и т.п.) и повреждения, вызванные воздействием агрессивных сред и высоких температур, попаданием инородных предметов в вентиляционные решетки электроинструмента, а также повреждения, наступившие вследствие неправильного хранения (коррозия металлических частей);

На инструменты с неисправностями, возникшими вследствие перегрузки (одновременный выход из строя ротора и статора) или неправильной эксплуатации (использование затупленного, неподходящего, неотбалансированного, неправильно подобранного сменного инструмента), применения инструмента не по назначению (использование для работы по материалу, для работы по которому инструмент не предназначен и т.п.), а также нестабильности параметров электросети, превышающих нормы, установленные ГОСТ. К безусловным признакам перегрузки изделия относятся, помимо прочего: изменения внешнего вида, деформация или оплавление деталей и узлов изделия, потемнение или обугливание изоляции проводов под воздействием высокой температуры;

На быстроизнашивающиеся изделия и материалы (угольные щетки, ремни, резиновые уплотнения, сальники, защитные кожухи, платформы, шины, шестерни, подшипники, втулки, спиральи накала, шкивы, ролики, штоки, стопорные кнопки, рукоятки переключения режимов и т.п.), на детали (шестерни, валы, подшипники, штоки, ролики и т.п.) подвергшиеся износу по причине выработки смазки, а также на сменные принадлежности (патроны, SDS патроны, платформы, цапги, шины, гибкие валы, аккумуляторные батареи, зарядные устройства и т.п.) и расходные материалы (ножи, пилки, абразивы, пильные диски, сверла, буры, смазку и т.п.), за исключением случаев механических повреждений вышеперечисленных изделий, произошедших вследствие гарантийной поломки электроинструмента;

Естественный износ инструмента или его деталей (полная выработка ресурса, сильное внутреннее или внешнее загрязнение, выработка смазки);

На инструмент, вскрывавшийся или ремонтировавшийся в течение гарантийного срока лицами или организациями, не имеющими юридических полномочий производить ремонт;

На инструмент с удаленным, стертým или измененным заводским номером, а также, если данные на электроинструменте не соответствуют данным на гарантийном талоне.

*Условия гарантии составлены производителем BORT GLOBAL LIMITED Room 1501, 15/F, SPA Centre, 53-55 Lockhart Road, WAN CHAI HONG KONG и действуют на всей территории Республики Беларусь. При любых несоответствиях в маркировке, руководствоваться необходимо данным гарантийным талоном, в котором указана полная и достоверная информация по условиям гарантии, срокам гарантийного обслуживания. Другие условия гарантийного обслуживания не действуют на территории Республики Беларусь.*

# ГАРАНТИЙНЫЙ ТАЛОН ДЕЙСТВУЕТ НА ТЕРРИТОРИИ РЕСПУБЛИКИ БЕЛАРУСЬ



Внимание! Настоящий талон действует на территории Республики Беларусь. При продаже должны заполняться все поля гарантийного талона. Неполное или неправильное заполнение может привести к отказу от выполнения гарантийных обязательств. Исправления в гарантийном талоне не допускаются.



Наименование изделия

Модель

Серийный номер

Дата продажи

Подпись продавца

Торговая организация

штамп или печать магазина

С условиями гарантии ознакомлен(а), предпродажная проверка произведена в моем присутствии. Товар получен в исправном состоянии, без видимых повреждений, в полной комплектности. Претензий к внешнему виду и качеству работы инструмента не имею.

Подпись покупателя

## СЕРВИСНЫЕ ЦЕНТРЫ В РЕСПУБЛИКЕ БЕЛАРУСЬ

**г. Минск**, ул. К.Либкнехта, д.102, тел.: 8(017)-208-78-41

**г. Витебск**, пр-т. Людникова, д.4, тел.: 8(021)-243-22-57

**г. Лида**, ул. Победы, д.37, каб.121, тел.: 8(015)-453-25-39, 8(029)-956-56-47, 8(029)-886-45-39

**г. Гомель**, пр-т. Ленина, д.3, офис 112, тел.: 8(023)-274-34-04, тел/факс: 8(023)-274-90-33

**г. Могилев**, ул. Челюскинцев, д.105, тел.: 8(022)-225-70-24, 8(025)-951-10-16

**г. Гродно**, ул. Сосновая, д.7, тел.: 8(029)-658-95-29

**г. Сморгонь**, ул. Советская, 8-47, тел.: 8(029)-637-24-68

**г. Молодечно**, ул. В.Гостинец, д.55, тел.: 8(029)-560-87-07, 8(029)-658-15-36

**г. Жлобин**, ул. Первомайская, д.41, ком.7, тел.: 8(044)-560-0789

**г. Брест**, ул. Шоссейная, д.9, тел.: 8(016)-245-26-00, 8(044)-537-77-38, 8(033)-355-03-30

**г. Борисов**, ул. Комсомольская, 78-15, тел.: 8(029)-7516011

**г. Пинск**, ул. Брестская, д. 135, пав. 45, тел.: 8(025)-736-22-75

**г. Горки**, ул. Якубовского, д.28, тел.: 8(022)-335-88-99

# GUARANTEE CERTIFICATE

**GUARANTEE  
CERTIFICATE**

**GARANTIESCHEIN**

**CERTIFICAT  
DE GARANTIE**

**ГАРАНТИЙНЫЙ  
ТАЛОН**



Terms and Conditions of the  
extended warranty online at  
[www.bort-global.com](http://www.bort-global.com)

Allgemeine  
Geschäftsbedingungen der  
verlangerten  
Garantie online unter  
[www.bort-global.com](http://www.bort-global.com)

Termes et Conditions de la  
garantie prolongee  
en ligne a  
[www.bort-global.com](http://www.bort-global.com)

Условия и сроки  
расширенной гарантии  
на сайте по адресу  
[www.bort-global.com](http://www.bort-global.com)

--

*Stamp dealer - Briefmarkenhändler - Timbre marchand -  
Наименование и штамп торговой организации*

--

*Model - Modell - Modèle - Модель*

**BHR-2200-Pro**

*Serial Number - Fabrikationsnummer -  
Num. - Серийный номер*

--	--

*Date of purchase - Kaufdatum -  
Date d'achat - Дата продажи*

--	--

*Salesman - Verkäufer - Vendeur -  
Подпись продавца*

*After having read the warranty terms and pre-purchase inspection I certify that I've got no  
complaints in respect of the appearance and performance of the tool.*

*С условиями гарантии ознакомлен, предпродажная проверка произведена, к внешнему  
виду и качеству работы инструмента претензий не имею.*

--	--

*Signature - Unterschrift - Signature -  
Подпись покупателя*

**BORT GLOBAL LIMITED  
Room 1501, 15/F., SPA Centre, 53-55  
Lockhart Road, WAN CHAI HONG KONG**





### Купон №3

Сoupon №3:

М.П.  
продавца

Модель:

**BHR-2200-Pro**

Model:

Серийный №:

Serial №:

Дата поступления в ремонт:

Repair start date:

Дата выполнения ремонта:

Repair completion date:

Вид ремонта:

Type of repair:

М.П.  
сервисного  
центра

Подпись мастера



### Купон №2

Сoupon №2:

М.П.  
продавца

Модель:

**BHR-2200-Pro**

Model:

Серийный №:

Serial №:

Дата поступления в ремонт:

Repair start date:

Дата выполнения ремонта:

Repair completion date:

Вид ремонта:

Type of repair:

М.П.  
сервисного  
центра

Подпись мастера



### Купон №1

Сoupon №1:

М.П.  
продавца

Модель:

**BHR-2200-Pro**

Model:

Серийный №:

Serial №:

Дата поступления в ремонт:

Repair start date:

Дата выполнения ремонта:

Repair completion date:

Вид ремонта:

Type of repair:

М.П.  
сервисного  
центра

Подпись мастера



Handwriting practice lines consisting of multiple rows of solid top and bottom lines, with a dashed midline for letter height guidance. A large watermark '130.com.ua' is oriented diagonally across the page.

Список авторизованных сервисных центров в России  
находится на сайте **bort-global.com**





- DE Änderungen vorbehalten
- GB Subject to change
- FR Sous réserve de modifications
- RU Возможны изменения



BORT GLOBAL LIMITED  
ROOM 1501, 15/F., SPA CENTRE, 53-55 LOCK-  
HART ROAD WAN CHAI HONG KONG  
Made in China