



PHONES

0 (800) 800 130
(050) 462 0 130
(063) 462 0 130
(067) 462 0 130

130
COM.UA

Internet store of
autogoods



SKYPE

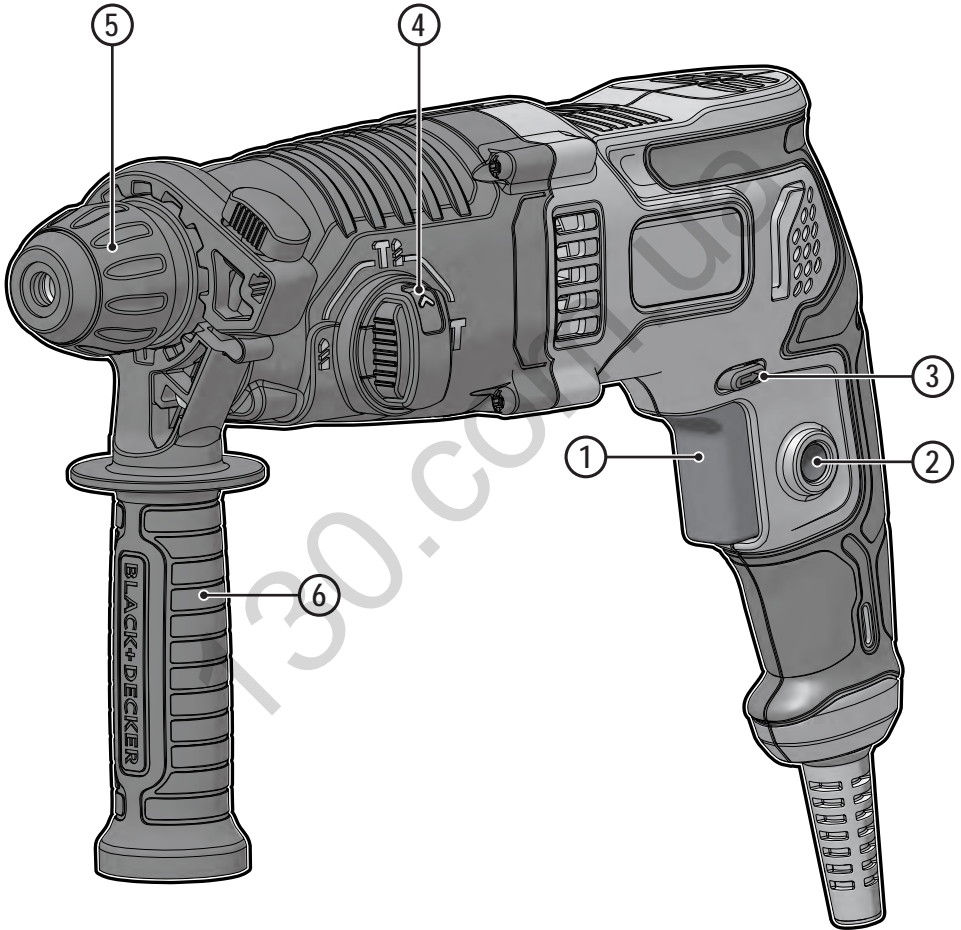
km-130

CAR RECEIVERS — Receivers • Media receivers and stations • Native receivers • CD/DVD changers • FM-modulators/USB adapters • Flash memory • Facia plates and adapters • Antennas • Accessories |
CAR AUDIO — Car audio speakers • Amplifiers • Subwoofers • Processors • Crossovers • Headphones • Accessories | TRIP COMPUTERS — Universal computers • Model computers • Accessories |
GPS NAVIGATORS — Portable GPS • Built-in GPS • GPS modules • GPS trackers • Antennas for GPS navigators • Accessories | VIDEO — DVR • TV sets and monitors • Car TV tuners • Cameras • Videomodules
• Transcoders • Car TV antennas • Accessories | SECURITY SYSTEMS — Car alarms • Bike alarms • Mechanical blockers • Immobilizers • Sensors • Accessories | OPTIC AND LIGHT — Xenon • Bixenon • Lamps
• LED • Stroboscopes • Optic and Headlights • Washers • Light, rain sensors • Accessories | PARKTRONICS AND MIRRORS — Rear parktronic • Front parktronic • Combined parktronic • Rear-view mirrors
• Accessories | HEATING AND COOLING — Seat heaters • Mirrors heaters • Screen-wipers heaters • Engine heaters • Auto-refrigerators • Air conditioning units • Accessories | TUNING — Vibro-isolation
• Noise-isolation • Tint films • Accessories | ACCESSORIES — Radar-detectors • Handsfree, Bluetooth • Windowlifters • Compressors • Beeps, loudspeakers • Measuring instruments • Cleaners • Car seats
• Miscellaneous | MOUNTING — Installation kits • Upholstery • Grilles • Tubes • Cable and wire • Tools • Miscellaneous | POWER — Batteries • Converters • Start-charging equipment • Capacitors
• Accessories | MARINE AUDIO AND ELECTRONICS — Marine receivers • Marine audio speakers • Marine subwoofers • Marine amplifiers • Accessories | CAR CARE PRODUCTS — Additives • Washer fluid •
Care accessories • Car polish • Flavors • Adhesives and sealants | LIQUID AND OIL — Motor oil • Transmission oil • Brake fluid • Antifreeze • Technical lubricant



In store "130" you can find and buy almost all necessary goods for your auto in Kyiv and other cities, delivery by ground and postal services. Our experienced consultants will provide you with exhaustive information and help you to chose the very particular thing. We are waiting for you at the address

<https://130.com.ua>



www.blackanddecker.eu

BEHS01

Autogoods "130"

EN

DE

FR

IT

NL

ES

PT

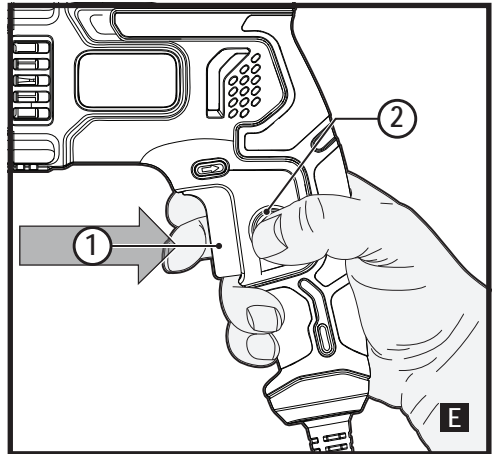
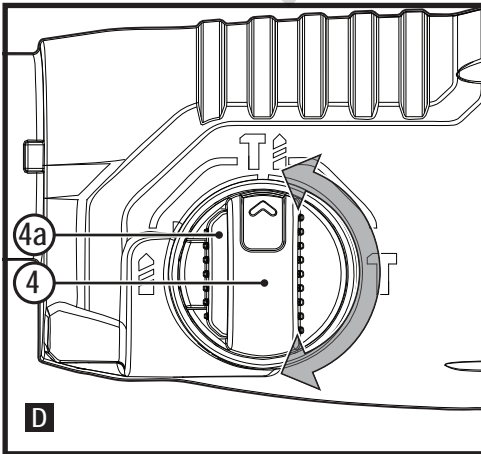
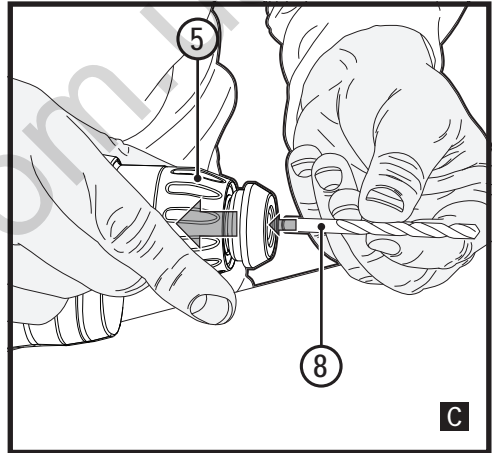
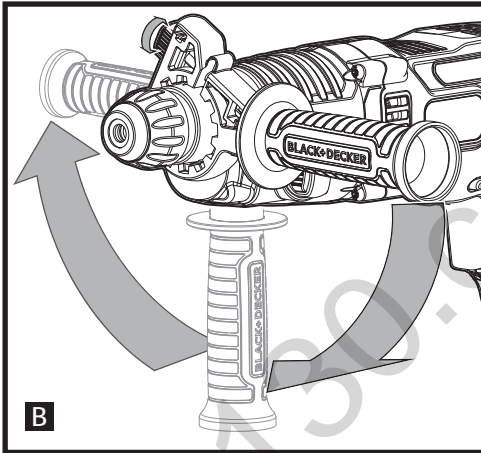
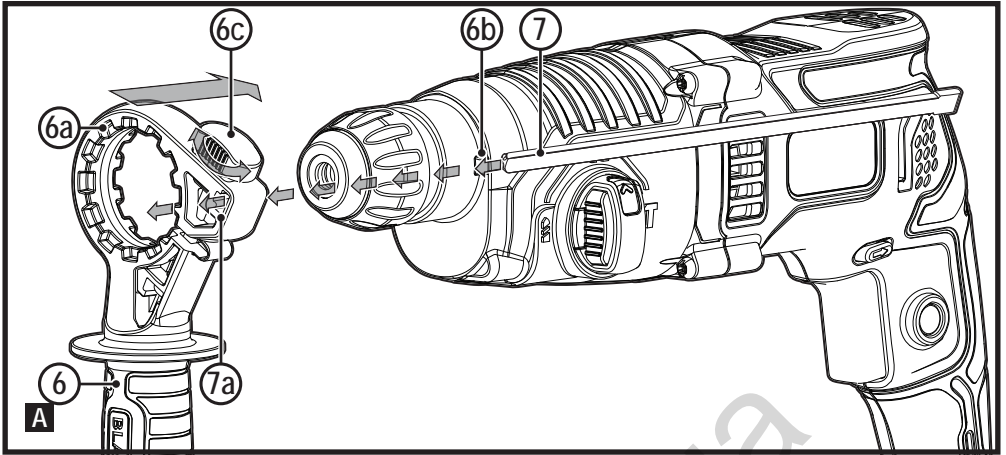
SV

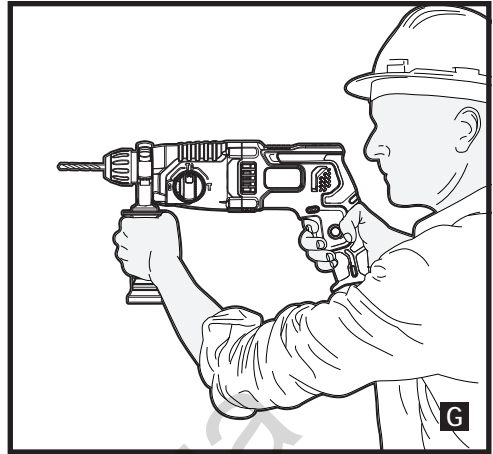
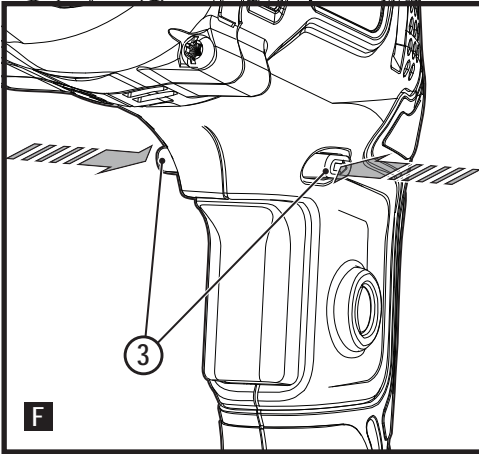
NO

DK

FI

EL





Intended use

Your BLACK+DECKER BEHS01 SDS Impact drill has been designed for drilling in wood, metal, plastics, and masonry as well as for screwdriving purposes. This tool is intended for consumer use only.

Safety instructions

General power tool safety warnings



Warning! Read all safety warnings, instructions, illustrations and specifications provided with this power tool. Failure to follow the warnings and instructions listed below may result in electric shock, fire and/or serious injury.

Save all warnings and instructions for future reference.

The term "power tool" in all of the warnings listed below refers to your mains operated (corded) power tool or battery operated (cordless) power tool.

1. Work area safety
 - a. Keep work area clean and well lit. Cluttered or dark areas invite accidents.
 - b. Do not operate power tools in explosive atmospheres, such as in the presence of flammable liquids, gases or dust. Power tools create sparks which may ignite the dust or fumes.
 - c. Keep children and bystanders away while operating a power tool. Distractions can cause you to lose control.
2. Electrical safety
 - a. Power tool plugs must match the outlet. Never modify the plug in any way. Do not use any adapter plugs with earthed (grounded) power tools.

Unmodified plugs and matching outlets will reduce risk of electric shock.

- b. Avoid body contact with earthed or grounded surfaces such as pipes, radiators, ranges and refrigerators. There is an increased risk of electric shock if your body is earthed or grounded.
- c. Do not expose power tools to rain or wet conditions. Water entering a power tool will increase the risk of electric shock.
- d. Do not abuse the cord. Never use the cord for carrying, pulling or unplugging the power tool. Keep cord away from heat, oil, sharp edges or moving parts. Damaged or entangled cords increase the risk of electric shock.
- e. When operating a power tool outdoors, use an extension cord suitable for outdoor use. Use of a cord suitable for outdoor use reduces the risk of electric shock.
- f. If operating a power tool in a damp location is unavoidable, use a residual current device (RCD) protected supply. Use of an RCD reduces the risk of electric shock.

3. Personal safety
 - a. Stay alert, watch what you are doing and use common sense when operating a power tool. Do not use a power tool while you are tired or under the influence of drugs, alcohol or medication. A moment of inattention while operating power tools may result in serious personal injury.
 - b. Use personal protective equipment. Always wear eye protection. Protective equipment such as dust mask, non-skid safety shoes, hard hat, or hearing protection used for appropriate conditions will reduce personal injuries.

- c. **Prevent unintentional starting.** Ensure the switch is in the off-position before connecting to power source and/or battery pack, picking up or carrying the tool. Carrying power tools with your finger on the switch or energising power tools that have the switch on invites accidents.
- d. **Remove any adjusting key or wrench before turning the power tool on.** A wrench or a key left attached to a rotating part of the power tool may result in personal injury.
- e. **Do not overreach. Keep proper footing and balance at all times.** This enables better control of the power tool in unexpected situations.
- f. **Dress properly. Do not wear loose clothing or jewellery. Keep your hair, clothing and gloves away from moving parts.** Loose clothes, jewellery or long hair can be caught in moving parts.
- g. **If devices are provided for the connection of dust extraction and collection facilities, ensure these are connected and properly used.** Use of dust collection can reduce dust-related hazards.
- h. **Do not let familiarity gained from frequent use of tools allow you to become complacent and ignore tool safety principles.** A careless action can cause severe injury within a fraction of a second.
4. Power tool use and care
- a. **Do not force the power tool. Use the correct power tool for your application.** The correct power tool will do the job better and safer at the rate for which it was designed.
- b. **Do not use the power tool if the switch does not turn it on and off.** Any power tool that cannot be controlled with the switch is dangerous and must be repaired.
- c. **Disconnect the plug from the power source and/or the battery pack from the power tool before making any adjustments, changing accessories, or storing power tools.** Such preventive safety measures reduce the risk of starting the power tool accidentally.
- d. **Store idle power tools out of the reach of children and do not allow persons unfamiliar with the power tool or these instructions to operate the power tool.** Power tools are dangerous in the hands of untrained users.
- e. **Maintain power tools and accessories. Check for misalignment or binding of moving parts, breakage of parts and any other condition that may affect the power tools operation. If damaged, have the power tool repaired before use.** Many accidents are caused by poorly maintained power tools.
- f. **Keep cutting tools sharp and clean.** Properly maintained cutting tools with sharp cutting edges are less likely to bind and are easier to control.
- g. **Use the power tool, accessories and tool bits etc. in accordance with these instructions, taking into account the working conditions and the work to be performed.**
Use of the power tool for operations different from those intended could result in a hazardous situation.
- h. **Keep handles and grasping surfaces dry, clean and free from oil and grease. Slippery handles and grasping surfaces do not allow for safe handling and control of the tool in unexpected situations.**
5. Service
- a. **Have your power tool serviced by a qualified repair person using only identical replacement parts.**
This will ensure that the safety of the power tool is maintained.

Additional power tool safety warnings



Warning! Additional safety warnings for rotary and chiselling hammers

- ◆ **Wear ear protectors when impact drilling.** Exposure to noise can cause hearing loss.
- ◆ **Use auxiliary handles supplied with the tool.** Loss of control can cause personal injury.
- ◆ **Brace the tool properly before use.** This tool produces a high output torque and without properly bracing the tool during operation, loss of control may occur resulting in personal injury.
- ◆ **Hold the power tool by insulated gripping surfaces, when performing an operation where the cutting accessory may contact hidden wiring or its own cord.** Cutting accessory contacting a "live" wire may make exposed metal parts of the power tool "live" and could give the operator an electric shock.

Safety instructions when using long drill bits

- ◆ **Never operate at higher speed than the maximum speed rating of the drill bit.** At higher speeds, the bit is likely to bend if allowed to rotate freely without contacting the workpiece, resulting in personal injury.
- ◆ **Always start drilling at low speed and with the bit tip in contact with the workpiece.** At higher speeds, the bit is likely to bend if allowed to rotate freely without contacting the workpiece, resulting in personal injury.
- ◆ **Apply pressure only in direct line with the bit and do not apply excessive pressure.** Bits can bend causing breakage or loss of control, resulting in personal injury.
- ◆ **Never use a chisel accessory in rotary mode.** The accessory will bind in the material and rotate the drill.
- ◆ **Use clamps or another practical way to secure and support the workpiece to a stable platform.**

Holding the work by hand or against your body leaves it unstable and may lead to loss of control.

- ◆ Before drilling into walls, floors or ceilings, check for the location of wiring and pipes.
- ◆ Avoid touching the tip of a drill bit just after drilling, as it may be hot.
- ◆ The intended use is described in this instruction manual. The use of any accessory or attachment or performance of any operation with this tool other than those recommended in this instruction manual may present a risk of personal injury and/or damage to property.
- ◆ Use a face or dust mask whenever the operations may produce dust or flying particles.

Safety of others

- ◆ This appliance is not intended for use by persons (including children) with reduced physical, sensory or mental capabilities, or lack of experience and knowledge, unless they have been given supervision or instruction concerning use of the appliance by a person responsible for their safety.
- ◆ Children should be supervised to ensure that they do not play with the appliance.

Residual risks.

Additional residual risks may arise when using the tool which may not be included in the enclosed safety warnings. These risks can arise from misuse, prolonged use etc.

Even with the application of the relevant safety regulations and the implementation of safety devices, certain residual risks can not be avoided. These include:

- ◆ Injuries caused by touching any rotating/moving parts.
- ◆ Injuries caused when changing any parts, blades or accessories.
- ◆ Injuries caused by prolonged use of a tool. When using any tool for prolonged periods ensure you take regular breaks.
- ◆ Impairment of hearing.
- ◆ Health hazards caused by breathing dust developed when using your tool (example:- working with wood, especially oak, beech and MDF.)

Vibration

The declared vibration emission values stated in the technical data and the declaration of conformity have been measured in accordance with a standard test method provided by EN 60745 and may be used for comparing one tool with another. The declared vibration emission value may also be used in a preliminary assessment of exposure.

Warning! The vibration emission value during actual use of the power tool can differ from the declared value depending on the ways in which the tool is used. The vibration level may increase above the level stated.

When assessing vibration exposure to determine safety measures required by 2002/44/EC to protect persons regularly using power tools in employment, an estimation of vibration exposure should consider, the actual conditions of use and the way the tool is used, including taking account of all parts of the operating cycle such as the times when the tool is switched off and when it is running idle in addition to the trigger time.

Labels on tool

The following pictograms are shown on the tool along with the date code:



Warning! To reduce the risk of injury, the user must read the instruction manual.



Wear ear protectors with Impact drills. Exposure to noise can cause hearing loss

Electrical safety



This tool is double insulated; therefore no earth wire is required. Always check that the power supply corresponds to the voltage on the rating plate.

- ◆ If the supply cord is damaged, it must be replaced by the manufacturer or an authorised BLACK+DECKER Service Centre in order to avoid a hazard.

Features

1. Variable speed switch
2. Lock on button
3. Forward/reverse switch
4. Drilling mode selector
5. Chuck
6. Side handle
7. Depth gauge

Assembly

Warning! Before assembly, make sure that the tool is switched off and unplugged.

Fitting the side handle and depth gauge (fig. A, B)

- ◆ Turn the knob (6c) counter clockwise until you can slide the side handle (6) onto the front of the tool as shown.
- ◆ Rotate the side handle into the desired position ensuring that the notches (6a) engage with the sprocket (6b).
- ◆ Insert the depth gauge (7) into the mounting hole (7a).
- ◆ Set the drilling depth as described below.
- ◆ Tighten the side handle by turning the knob (6c) clockwise.

Note: the side handle can be positioned as shown in figure B, depending on personal preference.

Fitting a drill bit (fig. C)

This tool is fitted with a quick release chuck to allow for an easy exchange of bits.

Warning! Make certain the tool is locked to prevent switch actuation before installing or removing accessories.

- ◆ Lock the tool by setting the forward/reverse slider (2) to the centre position.
- ◆ Insert the bit shaft (8) into the chuck (5) (Fig. C).

Note! To remove the bit/socket, pull and hold the chuck collar (5) away from the front of the tool (Fig. C).

Use

Warning! Let the tool work at its own pace. Do not overload.

Warning! Before drilling into walls, floors or ceilings, check for the location of wiring and pipes.

Selecting the direction of rotation (fig. D)

For drilling and for tightening screws, use forward (clockwise) rotation. For loosening screws or removing a jammed drill bit, use reverse (counter clockwise) rotation.

- ◆ To select forward rotation, push the forward/reverse switch (3) to the left position.
- ◆ To select reverse rotation, push the forward/reverse button to the right.

Warning! Never change the direction of rotation while the motor is running.

Selecting the drilling mode (fig. D)

- ◆ To select a drilling mode, push button 4a and rotate the selector to the required setting.
- ◆ For Impact drilling in masonry and concrete, set the drilling mode selector (4) to the **T** position.
- ◆ For drilling in steel, wood and plastics or for screw driving drilling mode selector (4) to the **1** position.
- ◆ For chiselling mode set the drilling mode selector (4) to the **T** position.

Setting the drilling depth (fig. A)

- ◆ Slacken the side handle (6) by turning the knob (6a) counter clockwise.
- ◆ Set the depth gauge (7) to the desired position. The maximum drilling depth is equal to the distance between the tip of the drill bit and the front end of the depth gauge.
- ◆ Tighten the side handle by turning the knob (6c) clockwise.

Switching on and off

- ◆ To switch the tool on, press the variable speed switch (1). The tool speed depends on how far you press the switch. As a general rule, use low speeds for large diameter drill bits and high speeds for smaller diameter drill bits.

- ◆ For continuous operation, press the lock-on button (2) and release the variable speed switch. The lock on button is available only at full speed in forward mode. In the reverse mode, the lock on button is not available.
- ◆ To switch the tool off, release the variable speed switch. To switch the tool off when in continuous operation, press the variable speed switch again and release it. Always hold the tool as shown in figure G.

Accessories

The performance of your tool depends on the accessory used. BLACK+DECKER accessories are engineered to high quality standards and designed to enhance the performance of your tool. By using these accessories you will get the very best from your tool.

Maintenance

Your BLACK+DECKER corded/cordless appliance/tool has been designed to operate over a long period of time with a minimum of maintenance. Continuous satisfactory operation depends upon proper tool care and regular cleaning.

Warning! Before performing any maintenance on corded/cordless power tools:

- ◆ Switch off and unplug the appliance/tool.
- ◆ Or switch off and remove the battery from the appliance/tool if the appliance/tool has a separate battery pack.
- ◆ Or run the battery down completely if it is integral and then switch off.
- ◆ Unplug the charger before cleaning it. Your charger does not require any maintenance apart from regular cleaning.
- ◆ Regularly clean the ventilation slots in your appliance/tool/charger using a soft brush or dry cloth.
- ◆ Regularly clean the motor housing using a damp cloth. Do not use any abrasive or solvent-based cleaner.
- ◆ Regularly open the chuck and tap it to remove any dust from the interior (when fitted).

Mains plug replacement (U.K. & Ireland only)

If a new mains plug needs to be fitted:

- ◆ Safely dispose of the old plug.
- ◆ Connect the brown lead to the live terminal in the new plug.
- ◆ Connect the blue lead to the neutral terminal.

Warning! No connection is to be made to the earth terminal. Follow the fitting instructions supplied with good quality plugs. Recommended fuse: 5 A.



Protecting the environment

Separate collection. Products and batteries marked with this symbol must not be disposed of with normal household waste.

Products and batteries contain materials that can be recovered or recycled reducing the demand for raw materials.

Please recycle electrical products and batteries according to local provisions.

Further information is available at www.2helpU.com

Technical data

		BEHS01
Input voltage	V _{AC}	230
Power input	W	650
No load speed	min ⁻¹	0 - 1600
Max. drilling capacity		
Concrete	mm	16
Steel	mm	13
Wood	mm	30
Weight	kg	2.6

Declared dual-number noise emission values in accordance with ISO 4871	
Measured A-weighted sound power level, L _{WA} (ref. 1pW), in decibels = 104.5 dB(A) Uncertainty, K _{WA} , in decibels = 3 dB(A)	
Measured A-weighted emission sound pressure level at the work station, L _{PA} (ref. 20µPA), in decibels = 93.5 dB(A) Uncertainty, K _{PA} , in decibels = 3 dB(A)	
Values determined according to noise test code given in EN 60745-1:2009+A11:2010, using the basic standards EN 60745-2-6:2010	
NOTE - The sum of a measured noise emission value and its associated uncertainty represents an upper boundary of the range of values which is likely to occur in measurements	

Vibration total values (triax vector sum) determined according to EN 60745		
	the work mode description 'hammer drilling into concrete'	the work mode description 'chiselling'
Vibration emission Value a _v	14.1 m/s ²	15.2 m/s ²
Uncertainty K	1.5 m/s ²	1.5 m/s ²
Values determined according to EN 60745-1:2009+A11:2010 and EN 60745-2-6:2010		

EC declaration of conformity
MACHINERY DIRECTIVE



BEHS01 Impact drill

Black & Decker declares that these products described under "technical data" are in compliance with: EN60745-1:2009+A11:2010, EN60745-2-6:2010.

These products also comply with Directive 2006/42/EC, 2014/30/EU and 2011/65/EU. For more information, please contact Black & Decker at the following address or refer to the back of the manual.

The undersigned is responsible for compilation of the technical file and makes this declaration on behalf of Black & Decker.

Ed Higgins
Director – Consumer Power Tools
Black & Decker Europe, 270 Bath Road, Slough,
Berkshire, SL1 4DX
United Kingdom
07/02/2020

Guarantee

Black & Decker is confident of the quality of its products and offers consumers a 24 month guarantee from the date of purchase. This guarantee is in addition to and in no way prejudices your statutory rights. The guarantee is valid within the territories of the Member States of the European Union and the European Free Trade Area.

To claim on the guarantee, the claim must be in accordance with Black & Decker Terms and Conditions and you will need to submit proof of purchase to the seller or an authorised repair agent. Terms and conditions of the Black & Decker 2 year guarantee and the location of your nearest authorised repair agent can be obtained on the Internet at www.2helpU.com, or by contacting your local Black & Decker office at the address indicated in this manual.

Please visit our website www.blackanddecker.co.uk to register your new Black & Decker product and receive updates on new products and special offers.

(Übersetzung der ursprünglichen Anweisungen)

DEUTSCH

Verwendungszweck

Ihre BLACK+DECKER BEHS01 SDS Schlagbohrmaschine wurde zum Bohren von Holz, Metall, Kunststoff und Mauerwerk sowie für Schraubarbeiten entwickelt. Dieses Gerät ist nicht für den gewerblichen Einsatz vorgesehen.

Sicherheitshinweise

Allgemeine Sicherheitswarnungen für das Gerät



Warnung! Beachten Sie alle Sicherheitshinweise, Anweisungen, Darstellungen und Daten, die Sie mit dem Gerät erhalten. Die Nichteinhaltung der folgenden Warnungen und Anweisungen kann einen elektrischen Schlag, Brand und/oder schwere Verletzungen verursachen.

Bewahren Sie alle Warnhinweise und alle Anweisungen gut auf. Der nachfolgend verwendete Begriff "Gerät" bezieht sich auf netzbetriebene Geräte (mit Netzkabel) und auf akkubetriebene Geräte (ohne Netzkabel).

1. Sicherheit im Arbeitsbereich

- a. **Halten Sie Ihren Arbeitsbereich sauber und gut ausgeleuchtet.** Unaufgeräumte oder dunkle Bereiche begünstigen Unfälle.
- b. **Betreiben Sie das Gerät nicht in Umgebungen, in denen Explosionsgefahr z. B. aufgrund von brennbaren Flüssigkeiten, Gasen oder Staub besteht.** Geräte erzeugen Funken, die den Staub oder die Dämpfe entzünden können.
- c. **Halten Sie Kinder und andere Personen während der Benutzung eines Geräts fern.** Bei Ablenkung können Sie die Kontrolle verlieren.

2. Elektrische Sicherheit

- a. **Der Netzstecker des Geräts muss in die Steckdose passen. Ändern Sie niemals den Stecker in irgendeiner Form. Verwenden Sie keinerlei Adapterstecker an geerdeten Elektrogeräten.** Unveränderte Stecker und passende Steckdosen mindern die Gefahr eines elektrischen Schlages.
- b. **Vermeiden Sie Körperkontakt mit geerdeten Oberflächen von Rohren, Heizungen, Herden und Kühlschränken.** Es besteht eine erhöhte Gefahr für einen elektrischen Schlag, wenn Ihr Körper geerdet ist.
- c. **Halten Sie Geräte von Regen und Nässe fern.** Das Eindringen von Wasser in ein Gerät erhöht das Risiko eines elektrischen Schlages.
- d. **Verwenden Sie das Kabel ordnungsgemäß. Verwenden Sie es niemals zum Tragen. Trennen Sie das Gerät nicht durch Ziehen am Kabel vom Netz. Halten Sie das Kabel fern von Hitze, Öl, scharfen Kanten oder beweglichen Teilen.** Beschädigte oder verhedderte Kabel erhöhen die Gefahr eines elektrischen Schlages.
- e. **Verwenden Sie nur für den Außenbereich zugelassene Verlängerungskabel, wenn Sie mit dem Gerät im Freien arbeiten.** Die Verwendung eines für den Außenbereich geeigneten Verlängerungskabels verringert das Risiko eines elektrischen Schlages.
- f. **Wenn das Gerät in einer feuchten Umgebung verwendet werden muss, schließen Sie es unbedingt an eine Steckdose mit Fehlerstromschutzschalter (FI-Schalter) an.** Ein Fehlerstromschutzschalter verringert das Risiko eines elektrischen Schlages.

3. Sicherheit von Personen

- a. **Seien Sie aufmerksam, achten Sie darauf, was Sie tun, und gehen Sie sachgerecht mit einem Gerät um.**

Benutzen Sie kein Gerät, wenn Sie müde sind oder unter dem Einfluss von Drogen, Alkohol oder Medikamenten stehen. Ein Moment der Unachtsamkeit beim Betrieb eines Geräts kann zu schweren Verletzungen führen.

- b. **Verwenden Sie eine geeignete Schutzausrüstung. Tragen Sie immer einen Augenschutz.** Das Tragen persönlicher Schutzausrüstung, wie Staubmaske, rutschfeste Sicherheitsschuhe, Schutzhelm oder Gehörschutz, je nach Art und Einsatz des Geräts, verringert das Risiko von Verletzungen.
 - c. **Vermeiden Sie eine unbeabsichtigte Inbetriebnahme. Vergewissern Sie sich, dass das Gerät ausgeschaltet ist, bevor Sie es an eine Steckdose oder einen Akku anschließen, es hochheben oder tragen.** Wenn Sie beim Tragen des Geräts den Finger am Schalter haben oder das Gerät eingeschaltet an die Stromversorgung anschließen, kann dies zu Unfällen führen.
 - d. **Entfernen Sie Einstell- oder Schraubenschlüssel, bevor Sie das Gerät einschalten.** Werkzeuge oder Schlüssel, die an rotierenden Teilen des Elektrogerätes angebracht sind, können zu Verletzungen führen.
 - e. **Beugen Sie sich nicht zu weit nach vorne. Sorgen Sie für einen sicheren Stand und halten Sie jederzeit das Gleichgewicht.** Dadurch können Sie das Gerät in unerwarteten Situationen besser kontrollieren.
 - f. **Tragen Sie geeignete Kleidung. Tragen Sie keine weite Kleidung und keinen Schmuck. Halten Sie Ihre Haare, Kleidung und Handschuhe von beweglichen Teilen fern.** Lose sitzende Kleidung, Schmuck oder lange Haare können sich in den beweglichen Teilen verfangen.
 - g. **Falls Vorrichtungen zum Absaugen oder Auffangen von Staub vorhanden sind, vergewissern Sie sich, dass diese angeschlossen sind und richtig verwendet werden.** Das Verwenden einer Staubauffangvorrichtung verringert Gefährdungen durch Staub.
 - h. **Vermeiden Sie, durch die häufige Nutzung des Werkzeugs in einen Trott zu verfallen und Prinzipien für die Werkzeugsicherheit zu ignorieren.** Eine unachtsame Aktion kann im Bruchteil einer Sekunde zu schweren Verletzungen führen.
- ### 4. Gebrauch und Pflege von Geräten
- a. **Überlasten Sie das Gerät nicht. Verwenden Sie das für Ihre Arbeit passende Gerät.** Das richtige Gerät wird die Aufgabe besser und sicherer erledigen, wenn es bestimmungsgemäß verwendet wird.
 - b. **Verwenden Sie das Gerät nicht, wenn der Ein-/Ausschalter nicht funktioniert.** Ein Gerät, das sich nicht mehr ein- oder ausschalten lässt, ist gefährlich und muss repariert werden.

- c. **Ziehen Sie den Stecker aus der Steckdose, oder trennen Sie das Gerät vom Akku, bevor Sie Einstellungen vornehmen, Zubehörteile wechseln oder das Gerät lagern.** Diese Vorbeugemaßnahmen mindern die Gefahr, dass das Elektrogerät unbeabsichtigt startet.
 - d. **Bewahren Sie unbenutzte Geräte außerhalb der Reichweite von Kindern auf. Lassen Sie Geräte nicht von Personen benutzen, die damit nicht vertraut sind oder diese Anweisungen nicht gelesen haben.** Geräte sind in den Händen nicht geschulter Personen gefährlich.
 - e. **Halten Sie das Gerät und sein Zubehör in einem einwandfreien Zustand. Kontrollieren Sie, ob bewegliche Teile falsch ausgerichtet sind oder klemmen und ob Teile gebrochen oder so beschädigt sind, dass die Funktion des Geräts beeinträchtigt ist. Bei Beschädigungen lassen Sie das Gerät reparieren, bevor Sie es verwenden.** Viele Unfälle entstehen wegen mangelnder Wartung der Geräte.
 - f. **Halten Sie Schneidgeräte scharf und sauber.** Richtig gewartete Schneidwerkzeuge mit scharfen Klingen blockieren seltener und sind leichter unter Kontrolle zu halten.
 - g. **Benutzen Sie Elektrowerkzeuge, Zubehör, Werkzeugspitzen und Ähnliches in Übereinstimmung mit diesen Anweisungen und auf die für das jeweilige Elektrowerkzeug bestimmungsgemäße Weise und beachten Sie dabei die jeweiligen Arbeitsbedingungen und die Art der auszuführenden Arbeiten.**
Der Gebrauch von Geräten für andere als die vorgesehenen Zwecke kann zu gefährlichen Situationen führen.
 - h. **Halten Sie die Griffe trocken, sauber und frei von Öl und Fett. Rutschige Griffe und Oberflächen unterbinden die sichere Bedienbarkeit und Kontrolle über das Werkzeug in unerwarteten Situationen.**
5. **Service**
- a. **Lassen Sie Ihr Elektrowerkzeug nur von qualifiziertem Fachpersonal und nur mit Original-Ersatzteilen reparieren.**
Damit wird sichergestellt, dass die Sicherheit des Geräts erhalten bleibt.

Zusätzliche Sicherheitswarnungen für das Gerät



Warnung! Zusätzliche Sicherheitswarnungen für Bohr- und Meißelhämmer

- ◆ **Tragen Sie bei der Arbeit mit einem Schlagbohrer einen Gehörschutz.** Lärm kann Gehörschäden verursachen.
- ◆ **Verwenden Sie die mitgelieferten Zusatzgriffe.** Der Verlust der Kontrolle kann Verletzungen verursachen.

- ◆ **Spannen Sie das Werkzeug vor Gebrauch richtig fest.** Dieses Werkzeug erzeugt ein hohes Ausgangsdrehmoment. Wenn das Werkzeug während des Betriebs nicht ordnungsgemäß festgespannt ist, kann es zu einem Kontrollverlust und dadurch zu Verletzungen kommen.
- ◆ **Halten Sie das Gerät an den isolierten Griffflächen, wenn Sie Arbeiten ausführen, bei denen das Werkzeug ein verdecktes Kabel oder das Gerätekabel berühren könnte.** Der Kontakt mit stromführenden Leitungen kann auch offen liegende Metallteile am Gerät unter Strom setzen und zu einem Stromschlag führen.

Sicherheitshinweise bei Verwendung langer Bohrerbits

- ◆ **Niemals mit einer höheren Drehzahl als der maximalen Drehzahl des Bohrers arbeiten.** Bei höheren Drehzahlen kann sich der Bohrer leicht verbiegen, wenn er sich frei drehen kann, ohne das Werkstück zu berühren, was zu Verletzungen führen kann.
- ◆ **Beginnen Sie beim Bohren immer mit niedriger Drehzahl und so, dass die Bohrerspitze in Kontakt mit dem Werkstück ist.** Bei höheren Drehzahlen kann sich der Bohrer leicht verbiegen, wenn er sich frei drehen kann, ohne das Werkstück zu berühren, was zu Verletzungen führen kann.
- ◆ **Üben Sie Druck nur in direkter Linie mit dem Bohrerbit aus und üben Sie keinen übermäßigen Druck aus.** Bits können sich verbiegen, was zu einem Bruch oder Kontrollverlust und dadurch zu Verletzungen führen kann.
- ◆ **Verwenden Sie auf keinen Fall ein Meißelwerkzeug im Bohrmodus.** Das Werkzeug setzt sich im Material fest und versetzt die Bohrmaschine in Rotation.
- ◆ **Sichern Sie das Werkstück zum Beispiel mit Einspannvorrichtungen auf einer stabilen Plattform.** Das Werkstück ist instabil, wenn es mit der Hand oder dem Körper abgestützt wird, was zum Verlust der Kontrolle führen kann.
- ◆ **Prüfen Sie vor dem Bohren in Wände, Fußböden oder Decken diese Stellen auf dahinterliegende Kabel oder Rohre.**
- ◆ **Berühren Sie die Spitze des Bohreinsatzes nicht unmittelbar nach dem Bohren, da diese heiß sein kann.**
- ◆ **Die bestimmungsgemäße Verwendung ist in dieser Betriebsanleitung beschrieben.** Die Verwendung von Zubehör- oder Anbauteilen, die nicht in dieser Anleitung empfohlen werden, sowie die Bedienung des Geräts in Abweichung von den in dieser Anleitung beschriebenen Verfahren können zu Verletzungen und/oder Sachschäden führen.

- ◆ Verwenden Sie eine Atemschutz- oder Staubmaske, wenn bei der Arbeit Staub oder Splitter entstehen können.

Sicherheit anderer Personen

- ◆ Dieses Gerät darf nicht von Personen (einschließlich Kindern) mit eingeschränkten physischen, sensorischen oder mentalen Fähigkeiten oder ohne ausreichende Erfahrung oder Kenntnisse verwendet werden, außer wenn diese Personen von einer Person, die für ihre Sicherheit verantwortlich ist, bei der Verwendung des Geräts beaufsichtigt oder mit ihm vertraut gemacht werden.
- ◆ Kinder müssen beaufsichtigt werden, um sicherzustellen, dass sie nicht mit dem Gerät spielen.

Restrisiken.

Beim Gebrauch dieses Geräts verbleiben zusätzliche Restrisiken, die möglicherweise nicht in den Sicherheitswarnungen genannt werden. Diese Risiken bestehen beispielsweise bei Missbrauch oder längerem Gebrauch.

Auch bei der Einhaltung der entsprechenden Sicherheitsvorschriften und der Verwendung aller Sicherheitsgeräte bestehen weiterhin bestimmte Restrisiken. Diese sind:

- ◆ Verletzungen, die durch das Berühren von sich drehenden/bewegenden Teilen verursacht werden.
- ◆ Verletzungen, die durch das Austauschen von Teilen, Messern oder Zubehör verursacht werden.
- ◆ Verletzungen, die durch längeren Gebrauch eines Geräts verursacht werden. Legen Sie bei längerem Gebrauch regelmäßige Pausen ein.
- ◆ Beeinträchtigung des Gehörs.
- ◆ Gesundheitsrisiken durch das Einatmen von Staub beim Verwenden des Geräts (beispielsweise bei Holzarbeiten, insbesondere Eiche, Buche und MDF).

Vibration

Die in den Abschnitten "Technische Daten" und "EG-Konformitätserklärung" angegebenen Werte für die Vibrationsemission wurden mit einer Standard-Prüfmethode nach EN 60745 ermittelt und können zum Vergleich verschiedener Geräte herangezogen werden. Außerdem kann mit Hilfe dieses Werts die Belastung bei Verwendung des Geräts schon im Voraus eingeschätzt werden.

Warnung! Die bei Verwendung des Geräts auftretende Vibrationsemission hängt von der Art des Gerätegebrauchs ab und kann dementsprechend von dem angegebenen Wert abweichen. Gegebenenfalls kann die Vibration über dem angegebenen Wert liegen.

Für die Ermittlung der Vibrationsbelastung müssen die tatsächlichen Einsatzbedingungen und Verwendungen des Geräts während des gesamten Arbeitsgangs berücksichtigt werden, einschließlich der Zeiten, wenn das Gerät nicht verwendet oder im Leerlauf betrieben wird. Diese Werte werden benötigt, um die gemäß 2002/44/EG erforderlichen Sicherheitsmaßnahmen zum Schutz von Personen festlegen zu können.

Etiketten am Werkzeug

Am Gerät sind die folgenden Piktogramme inkl. Datumscode angebracht:



Warnung! Lesen Sie vor Gebrauch die Anleitung. Andernfalls besteht Verletzungsgefahr.



Tragen Sie bei der Arbeit mit Schlagschraubern einen Gehörschutz. Lärm kann Gehörschäden verursachen.

Elektrische Sicherheit



Dieses Gerät ist schutzisoliert, daher ist keine Erdleitung erforderlich. Überprüfen Sie immer, dass die Stromversorgung der Spannung auf dem Typenschild entspricht.

- ◆ Bei einer Beschädigung des Netzkabels muss dieses durch den Hersteller oder eine BLACK+DECKER-Vertragswerkstatt ausgetauscht werden, um mögliche Gefahren zu vermeiden.

Merkmale

1. Drehzahl-Regelschalter
2. Feststellknopf
3. Vor-/Zurückwahlschalter
4. Betriebsmodussschalter
5. Bohrfutter
6. Zusatzhandgriff
7. Tiefenmesser

Montage

Warnung! Vergewissern Sie sich vor der Montage, dass das Gerät ausgeschaltet ist und der Netzstecker gezogen wurde.

Anbringen des seitlichen Haltegriffs und des Tiefenmessers (Abb. A, B)

- ◆ Drehen Sie den Knopf (6c) entgegen dem Uhrzeigersinn, bis Sie den seitlichen Haltegriff (6) wie dargestellt über die Vorderseite des Geräts schieben können.
- ◆ Drehen Sie den seitlichen Haltegriff in die gewünschte Position und stellen Sie dabei sicher, dass die Kerben (6a) im Zahnrad (6b) einrasten.
- ◆ Setzen Sie den Tiefenmesser (7) wie dargestellt in die vorgesehene Öffnung (7a) ein.

- ◆ Legen Sie die Bohrtiefe wie im Folgenden beschrieben fest.
- ◆ Befestigen Sie den seitlichen Haltegriff, indem Sie den Knopf (6c) im Uhrzeigersinn drehen.

Hinweis: Der seitliche Haltegriff kann je nach Wunsch wie in Abbildung B positioniert werden.

Einsetzen eines Bohreinsatzes (Abb. C)

Das Gerät verfügt über ein Schnellspannbohrfutter zum einfachen Wechseln der Einsätze.

Warnung! Das Gerät muss gesperrt sein, damit keine unbeabsichtigte Bedienung des Ein-/Ausschalters vor dem Installieren bzw. Entfernen von Zubehörteilen erfolgen kann.

- ◆ Verriegeln Sie das Gerät, indem Sie den Vor-/Zurückwahlschalter (2) in die mittlere Position bewegen.
- ◆ Setzen Sie den Einsatz (8) in das Bohrfutter (5) ein (Abb. C).

Hinweis! Zum Entfernen von Bit/Einsatz ziehen Sie den Bohrfutterkopf (5) nach hinten, und halten Sie diesen fest (Abb. C).

Verwendung

Warnung! Beschleunigen Sie den Arbeitsvorgang nicht mit Gewalt. Vermeiden Sie eine Überlastung.

Warnung! Prüfen Sie vor dem Bohren in Wände, Fußböden oder Decken diese Stellen auf dahinter liegende Kabel oder Rohre.

Auswählen der Drehrichtung (Abb. D)

Verwenden Sie zum Bohren und Anziehen von Schrauben die Vorwärtsdrehung (im Uhrzeigersinn). Verwenden Sie zum Entfernen von Schrauben und verklebten Bohreinsätzen die Rückwärtsdrehung (gegen den Uhrzeigersinn).

- ◆ Drücken Sie den Vor-/Zurückwahlschalter (3) nach links, um die Vorwärtsdrehung einzustellen.
- ◆ Drücken Sie den Vor-/Zurückwahlschalter nach rechts, um die Rückwärtsdrehung einzustellen.

Warnung! Wechseln Sie auf keinen Fall die Drehrichtung, während der Motor läuft.

Auswahl des Bohrmodus (Abb. D)

- ◆ Drücken Sie zum Auswählen eines Bohrmodus die Taste 4a und drehen Sie den Schalter auf die gewünschte Einstellung.
- ◆ Zum Schlagbohren in Mauerwerk und Beton stellen Sie den Bohrmodussschalter (4) auf die Einstellung **T 1**.
- ◆ Wenn Sie in Stahl, Holz oder Kunststoffe bohren oder Schraubarbeiten ausführen möchten, stellen Sie den Bohrmodussschalter (4) auf die Einstellung **1**.
- ◆ Stellen Sie für Meißelarbeiten den Bohrmodussschalter (4) auf die Einstellung **T**.

Festlegen der Bohrtiefe (Abb. A)

- ◆ Lösen Sie den seitlichen Haltegriff (6), indem Sie den Knopf (6a) gegen den Uhrzeigersinn drehen.
- ◆ Bringen Sie den Tiefenmesser (7) in die gewünschte Position. Die maximale Bohrtiefe entspricht der Entfernung zwischen der Spitze des Bohreinsatzes und dem vorderen Ende des Tiefenmessers.
- ◆ Befestigen Sie den seitlichen Haltegriff, indem Sie den Knopf (6c) im Uhrzeigersinn drehen.

Ein- und Ausschalten

- ◆ Um das Gerät einzuschalten, drücken Sie den Ein-/Ausschalter mit Geschwindigkeitsregler (1). Die Leistung des Geräts ist davon abhängig, wie tief Sie den Schalter hineindrücken. Im Allgemeinen sollten Sie langsamere Geschwindigkeiten für Bohreinsätze mit großem Durchmesser und hohe Geschwindigkeiten für Bohreinsätze mit geringerem Durchmesser verwenden.
- ◆ Für das Arbeiten im Dauerbetrieb drücken Sie den Feststellknopf (2) und lassen den Geschwindigkeitsregler los. Der Feststellknopf ist nur bei voller Drehzahl im Vorwärtsmodus verfügbar. Im Rückwärtsmodus ist der Feststellknopf nicht verfügbar.
- ◆ Um das Gerät auszuschalten, lassen Sie den Geschwindigkeitsregler los. Wenn sich das Gerät im Dauerbetrieb befindet, müssen Sie zum Ausschalten den Geschwindigkeitsregler erneut drücken und loslassen. Halten Sie das Gerät immer wie in Abb. G dargestellt.

Zubehör

Das verwendete Zubehör hat wesentlichen Einfluss auf die Leistung des Geräts. Zubehörteile von BLACK+DECKER erfüllen höchste Qualitätsstandards und wurden speziell für die Verwendung mit Ihrem Gerät entwickelt. Bei Verwendung dieses Zubehörs erhalten Sie stets optimale Ergebnisse.

Wartung

Ihr BLACK+DECKER Gerät (mit und ohne Netzkabel) wurde im Hinblick auf eine lange Lebensdauer und einen möglichst geringen Wartungsaufwand entwickelt. Ein kontinuierlicher, zufriedenstellender Betrieb hängt von der richtigen Pflege des Gerätes und seiner regelmäßigen Reinigung ab.

Warnung! Vor Wartungs- oder Reinigungsarbeiten an Elektrowerkzeugen

mit/ohne Kabel:

- ◆ Schalten Sie das Gerät aus, und ziehen Sie den Netzstecker.
- ◆ Wenn das Gerät über einen separaten Batteriepack oder Akku verfügt, schalten Sie das Gerät ab, und entnehmen Sie die Batterien aus dem Gerät.
- ◆ Wenn der Akku integriert ist, entladen Sie diesen vor dem Abschalten vollständig.

- ◆ Ziehen Sie das Ladegerät aus der Netzsteckdose, bevor Sie es reinigen. Das Ladegerät benötigt keine Wartung, es sollte jedoch regelmäßig gereinigt werden.
- ◆ Reinigen Sie regelmäßig die Lüftungsschlitze des Geräts und des Ladegeräts mit einer weichen Bürste oder einem trockenen Tuch.
- ◆ Reinigen Sie das Motorgehäuse regelmäßig mit einem feuchten Tuch. Verwenden Sie keine scheuernden Reinigungsmittel oder Reinigungsmittel auf Lösungsmittelbasis.
- ◆ Öffnen Sie regelmäßig das Spannfutter, und entfernen Sie durch Klopfen ggf. Staub aus dem Inneren des Geräts.

Austauschen des Netzsteckers (nur Großbritannien und Irland)

Wenn ein neuer Netzstecker angebracht werden muss:

- ◆ Entsorgen Sie den alten Stecker auf sachgerechte Weise.
- ◆ Verbinden Sie die braune Leitung mit dem spannungsführenden Anschluss des Steckers.
- ◆ Verbinden Sie die blaue Leitung mit dem neutralen Anschluss.

Warnung! Stellen Sie keine Verbindung mit dem Erdungsanschluss her. Befolgen Sie die Montageanweisungen, die mit hochwertigen Steckern mitgeliefert werden. Empfohlene Sicherung: 5 A.

Umweltschutz

Getrennte Entsorgung. Produkte und Akkus mit diesem Symbol dürfen nicht mit dem normalen Hausmüll entsorgt werden.

Produkte und Akkus enthalten Materialien, die wiederverwertet werden können, um den Bedarf an Rohstoffen zu verringern. Bitte recyceln Sie elektrische Produkte und Akkus gemäß den örtlichen Bestimmungen.

Weitere Informationen finden Sie auf www.2helpU.com

Technische Daten

		BEHS01
Eingangsspannung	V_{AC}	230
Leistungsaufnahme	W	650
Leerlaufdrehzahl	U/min	0 - 1600
Maximale Bohrtiefe		
Beton	mm	16
Stahl	mm	13
Holz	mm	30
Gewicht	kg	2,6

Angegebene zweistellige Geräuschemissionswerte gemäß ISO 4871.	
Gemessener A-bewerteter Schalleistungspegel, L_{WA} (Ref. 1pW), in Dezibel = 104,5 dB(A)	Unsicherheitsfaktor, K_{WA} in Dezibel = 3 dB(A)

Angegebene zweistellige Geräuschemissionswerte gemäß ISO 4871.
Gemessener A-bewerteter Emissionsschalldruck an der Arbeitsstation, L_{pA} (Ref. 20µPA), in Dezibel = 93,5 dB(A) Unsicherheitsfaktor, K_{pA} in Dezibel = 3 dB(A)
Werte ermittelt nach Geräuschprüfcode angegeben in EN 60745-1:2009+A11:2010, unter Verwendung der grundlegenden Normen EN 60745-2-6:2010
HINWEIS - Die Summe aus einem gemessenen Geräuschemissionswert und dem damit verbundenen Unsicherheitsfaktor stellt eine Obergrenze des Wertebereichs dar, der bei Messungen wahrscheinlich auftritt.

Gesamtvibration (Triax-Vektorsumme), ermittelt nach EN 60745		
	Beschreibung des Arbeitsmodus 'Schlagbohren in Beton'	Beschreibung des Arbeitsmodus 'Meißeln'
Vibrationsemissionswert a_h	14,1 m/s ²	15,2 m/s ²
Unsicherheitsfaktor K	1,5 m/s ²	1,5 m/s ²
Werte ermittelt gemäß EN 60745-1:2009+A11:2010 und EN 60745-2-6:2010		

EU-Konformitätserklärung MASCHINENRICHTLINIE



BEHS01 Schlagbohrmaschine

Black & Decker erklärt, dass die in den technischen Daten beschriebenen Geräte übereinstimmen mit:
EN60745-1:2009+A11:2010, EN60745-2-6:2010.

Diese Produkte entsprechen außerdem den Richtlinien 2006/42/EC, 2014/30/EU und 2011/65/EU. Weitere Informationen erhalten Sie von Black & Decker unter der folgenden Adresse. Diese befindet sich auch auf der Rückseite dieser Anleitung.

Der Unterzeichnete ist verantwortlich für die Zusammenstellung der technischen Daten und gibt diese Erklärung im Namen von Black & Decker ab.

Ed Higgins
Director – Consumer Power Tools
Black & Decker Europe, 270 Bath Road, Slough,
Berkshire, SL1 4DX
Vereinigtes Königreich
07/02/2020

Garantie

Black & Decker vertraut auf die Qualität der eigenen Geräte und bietet dem Käufer eine außergewöhnliche Garantie von 24 Monaten ab Kaufdatum.

Diese Garantie versteht sich unbeschadet der gesetzlichen Gewährleistungsansprüche und schränkt diese keinesfalls ein. Diese Garantie gilt innerhalb der Staatsgebiete der Mitgliedstaaten der Europäischen Union und der Europäischen Freihandelszone.

Zur Inanspruchnahme dieser Garantie muss sie den allgemeinen Geschäftsbedingungen von Black & Decker entsprechen und dem Verkäufer bzw. der Vertragswerkstatt ist ein Kaufnachweis vorzulegen. Die Bedingungen für die 2-jährige Garantie von Black & Decker und den Standort Ihrer nächstgelegenen Vertragswerkstatt finden Sie im Internet unter www.2helpU.com oder indem Sie sich an die lokale Black & Decker-Niederlassung wenden, deren Adresse Sie in dieser Anleitung finden.

Ihr neues Black & Decker Produkt können Sie auf unserer Website unter www.blackanddecker.de registrieren. Dort erhalten Sie auch Informationen über neue Produkte und Sonderangebote.

Utilisation prévue

Votre perceuse à percussion BLACK+DECKER BEHS01 a été conçue pour percer le bois, le métal, le plastique et les matériaux de maçonnerie ainsi que pour effectuer des opérations de vissage. Cet outil est destiné à un usage grand public uniquement.

Consignes de sécurité

Avertissements de sécurité générale propres aux outils électriques



Avertissement ! Veuillez lire tous les avertissements de sécurité, toutes les instructions, toutes les illustrations et toutes les spécifications fournies avec cet outil électrique. Le non-respect des avertissements et des instructions listés ci-dessous peut entraîner des chocs électriques, des incendies et/ou de graves blessures.

Conservez tous les avertissements et toutes les instructions afin de pouvoir vous y référer dans le futur. Le terme "outil électrique" mentionné dans tous les avertissements listés ci-dessous fait référence à vos outils électriques branchés sur secteur (avec câble) ou fonctionnant sur pile ou batterie (sans fil).

1. Sécurité de la zone de travail

- a. **Maintenez la zone de travail propre et bien éclairée.**
Les zones sombres ou encombrées sont propices aux accidents.

- b. **N'utilisez pas d'outils électriques dans un environnement présentant des risques d'explosion ou en présence de liquides, gaz ou poussières inflammables.** Les outils électriques créent des étincelles qui peuvent enflammer les poussières et les fumées.
- c. **Maintenez les enfants et les autres personnes à l'écart quand vous utilisez un outil électrique.** Toute distraction peut vous faire perdre le contrôle de l'outil.

2. Sécurité électrique

- a. **Les prises des outils électriques doivent correspondre à la prise de courant murale. Ne modifiez jamais la prise d'aucune sorte. N'utilisez aucun adaptateur avec des outils électriques reliés à la terre.**
L'utilisation de prises d'origine et de prises murales appropriées permet de réduire le risque de décharge électrique.
- b. **Évitez tout contact physique avec des surfaces reliées à la terre comme des tuyaux, des radiateurs, des fours et des réfrigérateurs par exemple.** Il y a sinon un risque accru de décharge électrique si votre corps est lui-même relié à la terre.
- c. **N'exposez pas les outils électriques à la pluie, ni à l'humidité.** Le risque de décharge électrique augmente si de l'eau pénètre dans un outil électrique.
- d. **Ne tirez pas sur le cordon d'alimentation. N'utilisez jamais le cordon pour transporter, tirer ou débrancher l'outil électrique. Maintenez le cordon à l'écart de la chaleur, des substances grasses, des bords tranchants ou des pièces mobiles.** Les cordons endommagés ou emmêlés augmentent les risques de décharges électriques.
- e. **Si vous utilisez un outil électrique à l'extérieur, utilisez une rallonge homologuée pour les travaux extérieurs.** L'utilisation d'une rallonge électrique homologuée pour les travaux en extérieur réduit le risque de décharge électrique.
- f. **Si l'utilisation d'un outil électrique dans un endroit humide est inévitable, utilisez une alimentation électrique protégée par un disjoncteur différentiel à courant résiduel (DDR).**
L'utilisation d'un DDR réduit le risque de décharge électrique.

3. Sécurité des personnes

- a. **Restez vigilant, surveillez ce que vous faites et faites preuve de bon sens lorsque vous utilisez un outil électrique.**
N'utilisez pas d'outils électriques si vous êtes fatigué ou sous l'influence de drogue, d'alcool ou de médicaments.

Tout moment d'inattention pendant l'utilisation d'un outil électrique peut engendrer de graves blessures.

- b. **Portez des équipements de protection individuelle. Portez toujours une protection oculaire.** Les équipements de protection comme les masques à poussière, les chaussures de sécurité antidérapantes, les casques ou les protections auditives utilisés à bon escient réduisent le risque de blessures.
- c. **Empêchez tout démarrage intempestif. Assurez-vous que l'interrupteur est éteint avant de raccorder l'outil à l'alimentation électrique et/ou au bloc-batterie ou avant de ramasser ou de transporter l'outil.** Le fait de transporter les outils électriques le doigt sur l'interrupteur ou d'alimenter les outils électriques dont l'interrupteur est déjà en position de marche augmente le risque d'accidents.
- d. **Retirez toutes les clés ou pinces de réglage avant de mettre l'outil en marche.** Une clé ou une pince restée fixée sur une pièce rotative de l'outil électrique peut engendrer des blessures.
- e. **Ne vous penchez pas. Gardez les pieds bien ancrés au sol et conservez votre équilibre en permanence.** Cela permet de mieux maîtriser l'outil électrique en cas de situations imprévues.
- f. **Portez des vêtements appropriés. Ne portez aucuns vêtements amples, ni bijoux. Gardez vos cheveux, vos vêtements et vos gants à l'écart des pièces mobiles.** Les vêtements amples, les bijoux ou les cheveux longs peuvent être happés par les pièces mobiles.
- g. **Si vous disposez de dispositifs pour le raccordement d'un extracteur de poussière ou d'installations pour la récupération, assurez-vous qu'ils sont correctement raccordés et utilisés.** L'utilisation de dispositifs récupérateurs de poussières réduit les risques liés aux poussières.
- h. **Ne pensez pas être familiarisé avec l'outil après l'avoir utilisé à de nombreuses reprises, au point de ne plus rester vigilant et d'en oublier les consignes de sécurité.** Toute action imprudente peut engendrer de graves blessures en une fraction de seconde.

4. Utilisation et entretien d'un outil électrique

- a. **Respectez la capacité de l'outil. Utilisez un outil approprié, adapté au travail à réaliser.** Un outil adapté fonctionne mieux, de façon plus sûre et à la cadence pour laquelle il a été conçu.
- b. **N'utilisez pas l'outil électrique si son interrupteur ne permet pas de l'allumer ou de l'éteindre.** Tout outil électrique qui ne peut plus être commandé par son interrupteur est dangereux et il doit être réparé.

- c. **Débranchez la prise de la source d'alimentation et/ou retirez le bloc-batterie de l'outil électrique avant d'effectuer des réglages, de changer un accessoire ou de ranger les outils électriques.** Ces mesures de sécurité préventives réduisent le risque de démarrage accidentel de l'outil électrique.
- d. **Rangez les outils électriques non utilisés hors de portée des enfants et ne laissez aucune personne ne connaissant pas ces outils ou leurs instructions d'utilisation les faire fonctionner.** Les outils électriques peuvent être dangereux entre des mains inexpérimentées.
- e. **Entretenez vos outils électriques et leurs accessoires. Vérifiez que les pièces mobiles sont alignées correctement et qu'elles ne sont pas coincées. Vérifiez qu'aucune pièce n'est cassée et contrôlez l'absence de toute autre condition qui pourrait nuire au bon fonctionnement de l'outil. En cas de dommage, faites réparer l'outil électrique avant de le réutiliser.** De nombreux accidents sont provoqués par des outils électriques mal entretenus.
- f. **Maintenez les organes de coupe affûtés et propres.** Des outils de coupe bien entretenus et dont le tranchant est affûté sont moins susceptibles de rester coincés et sont plus faciles à contrôler.
- g. **Utilisez l'outil électrique, les accessoires et les embouts d'outils conformément à ces instructions, en tenant compte des conditions de travail et de la tâche à effectuer.** L'utilisation d'un outil électrique à des fins autres que celles pour lesquelles il a été prévu engendre des situations dangereuses.
- h. **Veillez à ce que les poignées et les surfaces de préhension soient sèches et propres, sans trace d'huile ou de graisse. Des poignées et des surfaces de préhension glissantes ne permettent pas de manipuler et de contrôler l'outil correctement en cas de situations inattendues.**

5. Révision/Réparation

- a. **Ne faites réviser/réparer votre outil électrique que par un réparateur qualifié qui n'utilise que des pièces de rechange d'origine.** Cela permet de garantir la sûreté de l'outil électrique.

Avertissement de sécurité supplémentaires propres aux outils électriques



Avertissement ! Consignes de sécurité supplémentaires liées aux marteaux rotatifs et marteaux de burinage

- ◆ **Portez des protections auditives pour le perçage à chocs.** L'exposition au bruit peut provoquer la perte de l'ouïe.
- ◆ **Utilisez les poignées auxiliaires livrées avec l'outil.**

La perte de contrôle peut provoquer des blessures.

- ◆ **Tenez correctement l'outil avant de l'utiliser.** Cet outil génère un couple élevé et s'il n'est pas correctement tenu, une perte de contrôle pouvant provoquer des blessures est possible.
- ◆ **Tenez l'outil électrique par ses surfaces de préhension isolées lorsque vous réalisez une opération au cours de laquelle l'accessoire de coupe pourrait entrer en contact avec des fils électriques cachés ou son propre cordon.** Tout contact de l'accessoire de coupe avec un fil sous tension peut mettre les parties métalliques exposées de l'outil sous tension et provoquer une décharge électrique à l'utilisateur.

Consignes de sécurité pour l'utilisation de mèches longues

- ◆ **Ne faites jamais fonctionner l'outil à une vitesse supérieure à la vitesse nominale maximum de la mèche.** À grande vitesse, la mèche peut plier si elle tourne dans le vide, sans être en contact avec l'ouvrage et des blessures sont possibles.
- ◆ **Commencez toujours à percer à faible vitesse alors que la pointe de la mèche est en contact avec l'ouvrage.** À grande vitesse, la mèche peut plier si elle tourne dans le vide, sans être en contact avec l'ouvrage et des blessures sont possibles.
- ◆ **N'exercez qu'une faible pression en ligne directe avec la mèche.** Les mèches peuvent plier et casser ce qui peut provoquer une perte de contrôle et des blessures.
- ◆ **N'utilisez jamais de burin en mode rotatif.** L'accessoire pourrait se tordre à l'intérieur de la matière et faire tourner la perceuse.
- ◆ **Utilisez des pinces ou tout autre moyen pratique pour fixer et soutenir l'ouvrage sur une plateforme stable.** Tenir l'ouvrage à la main ou contre votre corps le rend instable et peut conduire à une perte de contrôle.
- ◆ Avant de percer les murs, les planchers ou les plafonds, vérifiez l'emplacement des éventuels câbles et tuyaux.
- ◆ Évitez de toucher le bout d'un foret ou d'une mèche juste après avoir percé. Ils peuvent être très chauds.
- ◆ L'utilisation prévue est décrite dans ce manuel d'utilisation. L'utilisation d'un accessoire ou d'un équipement non spécifié ou l'utilisation de cet outil à d'autres fins que celles recommandées dans ce manuel d'utilisation présentent un risque de blessures et/ou de dommages matériels.
- ◆ Utilisez un masque anti-poussière dès que le travail est source de poussière ou de projection de débris.

Sécurité des personnes

- ◆ Cet appareil n'est pas conçu pour être utilisé par des personnes (y compris des enfants) aux capacités physiques, sensorielles ou intellectuelles réduites ou sans expérience ni connaissances, à moins qu'elles ne soient surveillées ou qu'elles aient été formées sur la façon sûre d'utiliser l'appareil, par une personne responsable de leur sécurité.
- ◆ Ne laissez jamais les enfants sans surveillance afin d'éviter qu'ils ne jouent avec l'appareil.

Risques résiduels.

Certains risques résiduels autres que ceux mentionnés dans les avertissements sur la sécurité peuvent survenir en utilisant l'outil. Ces risques peuvent être provoqués par une utilisation incorrecte, prolongée, etc.

Malgré l'application de toutes les réglementations sur la sécurité pertinentes et la mise en œuvre de dispositifs de sécurité, certains risques résiduels ne peuvent pas être évités. Ils comprennent :

- ◆ Les blessures dues au contact avec des pièces rotatives/mobiles.
- ◆ Les blessures provoquées pendant le remplacement de pièces, de lames ou d'accessoires.
- ◆ Les blessures dues à l'utilisation prolongée d'un outil. Lorsque vous utilisez un outil quel qu'il soit pendant de longues périodes, veillez à faire des pauses régulières.
- ◆ La diminution de l'acuité auditive.
- ◆ Les risques pour la santé provoqués par l'inhalation des poussières générées pendant l'utilisation de votre outil (exemple : travail du bois, surtout le chêne, le hêtre et les panneaux en MDF).

Vibrations

La valeur des émissions de vibrations déclarée dans la section Caractéristiques techniques et la déclaration de conformité a été mesurée selon une méthode de test standard fournie par la norme EN 60745 et peut être utilisée pour comparer un outil à un autre. La valeur des vibrations émises déclarée peut aussi être utilisée pour une évaluation préliminaire à l'exposition.

Avertissement ! En fonction de la manière dont l'outil est utilisé, la valeur réelle des vibrations émises pendant son utilisation peut différer de la valeur déclarée. Le niveau des vibrations peut dépasser le niveau déclaré.

Quand l'exposition aux vibrations est évaluée afin de déterminer les mesures de sécurité requises par la norme 2002/44/CE pour protéger les personnes utilisant régulièrement des outils électriques, cette estimation doit tenir compte des conditions réelles d'utilisation et de la façon dont l'outil est utilisé.

Il faut également tenir compte de toutes les composantes du cycle de fonctionnement comme la durée pendant laquelle l'outil est arrêté et quand il fonctionne au ralenti, ainsi que la durée du déclenchement.

Étiquettes apposées sur l'outil

Les pictogrammes qui suivent figurent sur l'outil avec le code date :



Avertissement ! Afin de réduire le risque de blessures, l'utilisateur doit lire le manuel d'utilisation.



Portez des protections auditives pour utiliser une perceuse à percussion. L'exposition au bruit peut engendrer la perte de l'ouïe.

Sécurité électrique



Cet outil est doublement isolé et ne nécessite donc aucun fil de liaison à la terre. Assurez-vous toujours que l'alimentation électrique correspond à la tension mentionnée sur la plaque signalétique.

- ◆ Si le câble d'alimentation est endommagé, il doit être remplacé par le fabricant ou par un centre de réparation agréé BLACK+DECKER afin d'éviter tout accident.

Caractéristiques

1. Interrupteur variateur de vitesse
2. Bouton de verrouillage
3. Bouton de sélection du sens de rotation Avant/Arrière
4. Sélecteur mode Perçage
5. Mandrin
6. Poignée latérale
7. Jauge de profondeur

Assemblage

Avertissement ! Avant l'assemblage, assurez-vous que l'outil est éteint et débranché.

Installer la poignée latérale et la jauge de profondeur (Fig. A, B)

- ◆ Tournez le bouton (6c) dans le sens inverse des aiguilles d'une montre jusqu'à ce que la poignée latérale (6) puisse glisser sur l'avant de l'outil, comme le montre l'illustration.
- ◆ Pivotez la poignée latérale jusqu'à la position voulue en vous assurant que les encoches (6a) s'engagent dans le pignon (6b).
- ◆ Insérez la jauge de profondeur (7) dans l'orifice de montage (7a).
- ◆ Réglez la profondeur de perçage comme décrit ci-dessous.
- ◆ Serrez la poignée latérale en tournant le bouton (6c) dans le sens des aiguilles d'une montre.

Remarque : La poignée latérale peut être positionnée comme illustré par la figure B, en fonction de vos préférences.

Installer une mèche (Fig. C)

Cet outil est équipé d'un mandrin à libération rapide qui facilite les changements de mèches.

Avertissement ! Avant d'installer ou de retirer un accessoire, assurez-vous que l'outil est verrouillé afin d'éviter le déclenchement de l'interrupteur.

- ◆ Pour verrouiller l'outil, placez le curseur de sélection du sens de rotation (2) sur la position centrale.
- ◆ Insérez la tige de la mèche (8) dans le mandrin (5) (Fig. C).

Remarque ! Pour retirer la mèche/la douille, tirez et éloignez la bague du mandrin (5) de l'avant de l'outil (Fig. C).

Utilisation

Avertissement ! Laissez l'outil fonctionner à son propre rythme. Ne le poussez pas au-delà de sa capacité.

Avertissement ! Avant de percer les murs, les planchers ou les plafonds, vérifiez l'emplacement des fils électriques et des canalisations.

Sélection du sens de rotation (Fig. D)

Pour percer ou pour serrer des vis, utilisez le sens de rotation avant (sens des aiguilles d'une montre). Pour desserrer les vis ou retirer une mèche bloquée, utilisez la rotation dans le sens inverse des aiguilles d'une montre.

- ◆ Pour sélectionner le sens de rotation avant, poussez le bouton de sélection du sens de rotation avant/arrière (3) vers la gauche.
- ◆ Pour sélectionner le sens de rotation inverse, poussez le bouton de sélection du sens de rotation avant/arrière vers la droite.

Avertissement ! Ne modifiez jamais le sens de rotation quand le moteur tourne.

Choix du mode de perçage (Fig. D)

- ◆ Pour sélectionner le mode Perçage, enfoncez le bouton 4a et tournez le sélecteur sur la position voulue.
- ◆ Pour le perçage à percussion dans les matériaux de maçonnerie ou le béton par exemple, placez le sélecteur de mode de perçage (4) sur la position **T 1**.
- ◆ Pour percer l'acier, le bois et le plastique ou pour le vissage, placez le sélecteur de mode (4) sur la position **1**.
- ◆ Pour le mode Burinage, réglez le sélecteur de mode de perçage (4) sur la position **T**.

Réglage de la profondeur de perçage (Fig. A)

- ◆ Desserrez la poignée latérale (6) en tournant le bouton (6a) dans le sens inverse des aiguilles d'une montre.
- ◆ Réglez la jauge de profondeur (7) à la position voulue.

La profondeur de perçage maximale est égale à la distance entre le bout de la mèche et l'extrémité avant de la jauge de profondeur.

- ◆ Serrez la poignée latérale en tournant le bouton (6c) dans le sens des aiguilles d'une montre.

Mise en marche et extinction

- ◆ Pour mettre l'outil en marche, appuyez sur l'interrupteur variateur de vitesse (1). La vitesse de l'outil dépend du degré d'enfoncement de l'interrupteur. De façon générale, utilisez les vitesses lentes avec les forets à large diamètre et les vitesses plus rapides avec les forets de plus petit diamètre.
- ◆ Pour faire fonctionner l'outil en continu, appuyez sur le bouton de verrouillage (2) et relâchez l'interrupteur variateur de vitesse. Le bouton de verrouillage n'est actionnable qu'à pleine vitesse, en sens de rotation avant. En sens de rotation arrière, le bouton de verrouillage n'est pas actionnable.
- ◆ Pour éteindre l'outil, relâchez l'interrupteur variateur de vitesse. Pour éteindre l'outil quand il est en mode de fonctionnement continu, appuyez de nouveau sur l'interrupteur variateur de vitesse, puis relâchez-le. Tenez toujours l'outil comme illustré par la figure G.

Accessoires

Les performances de votre outil dépendent de l'accessoire utilisé. Les accessoires BLACK+DECKER sont élaborés selon des normes de qualité supérieures et ils sont conçus pour améliorer les performances de votre outil. L'utilisation de ces accessoires vous permet de tirer pleinement profit de votre outil.

Maintenance

Votre appareil/outil sans fil/avec fil BLACK+DECKER a été conçu pour fonctionner longtemps avec un minimum d'entretien. Le fonctionnement continu et satisfaisant de l'outil dépend de son bon entretien et de son nettoyage régulier.

Avertissement ! Avant de réaliser toute opération de maintenance sur un outil électrique avec câble/sans fil :

- ◆ Éteignez l'appareil/outil, puis débranchez-le.
- ◆ Ou, éteignez l'appareil/outil et retirez-en la batterie s'il est muni d'un bloc-batterie séparé.
- ◆ Ou déchargez complètement la batterie si elle est intégrée, puis éteignez l'appareil/outil.
- ◆ Débranchez le chargeur avant de le nettoyer. Votre chargeur ne nécessite aucun entretien particulier, à l'exception d'un nettoyage régulier.
- ◆ Nettoyez régulièrement les orifices d'aération de votre appareil/outil/chargeur à l'aide d'une brosse souple ou d'un chiffon sec.

- ◆ Nettoyez régulièrement le bloc-moteur à l'aide d'un chiffon humide. N'utilisez pas de détergents abrasifs ou à base de solvants.
- ◆ Ouvrez régulièrement le mandrin et retirez la poussière à l'intérieur en le tapant (si installé).

Remplacer la prise de courant (RU et Irlande uniquement)

Si une nouvelle prise électrique doit être installée :

- ◆ Jetez l'ancienne prise de façon appropriée.
- ◆ Raccordez le fil marron à la borne de phase de la nouvelle prise.
- ◆ Raccordez le fil bleu à la borne du neutre.

Avertissement ! Aucun branchement ne doit être fait à la borne de terre. Suivez les instructions d'installation fournies avec les prises de bonne qualité. Fusible recommandé : 5 A.

Protection de l'environnement

Tri sélectif. Les produits et piles/batteries marqués de ce symbole ne doivent pas être jetés avec les déchets ménagers. Les produits et les piles/batteries contiennent des matières qui peuvent être récupérées et recyclées afin de réduire la demande en matières premières.

Veillez à recycler les produits électriques et les batteries/piles conformément aux prescriptions locales en vigueur.

Pour plus d'informations, consultez le site www.2helpU.com

Caractéristiques techniques

		BEHS01
Tension d'entrée	V_{CA}	230
Puissance absorbée	W	650
Régime à vide	min^{-1}	0 - 1600
Capacité maxi de perçage		
Béton	mm	16
Acier	mm	13
Le bois	mm	30
Poids	kg	2,6

Valeurs à deux chiffres de l'émission sonore selon la norme ISO 4871

Niveau de puissance sonore pondérée A mesurée L_{WA} (réf.1pW), en décibels = 104.5 dB(A)
Incertitude, K_{WA} en décibels = 3 dB(A)

Niveau de pression acoustique d'émission A mesurée au poste de travail, L_{PA}
(réf.20µPa), en décibels = 93.5 dB(A)
Incertitude, K_{PA} en décibels = 3 dB(A)

Valeurs définies selon le code d'essai sonore fourni par la norme EN 60745-1:2009+A11:2010,
à l'aide des standards de base de la norme EN 60745-2-6:2010

REMARQUE - La somme d'une valeur sonore émise mesurée et de l'incertitude qui lui est associée représente la limite haute de la plage des valeurs, susceptibles de se produire pendant les mesures

Valeurs totales des vibrations (somme vectorielle triaxiale) déterminées selon la norme EN 60745		
	Mode de fonctionnement "Perçage à percussion dans le béton"	Mode de fonctionnement "Burinage"
Valeur des vibrations émises a_n	14,1 m/s ²	15,2 m/s ²
Incertitude K	1,5 m/s ²	1,5 m/s ²
Valeurs définies selon la norme EN 60745-1:2009+A11:2010 et EN 60745-2-6:2010		

Déclaration de conformité CE

DIRECTIVES MACHINES



BEHS01 Perceuse à percussion

Black & Decker déclare que les produits décrits dans les "Caractéristiques techniques" sont conformes aux normes : EN60745-1:2009+A11:2010, EN60745-2-6:2010.

Ces produits sont également conformes aux Directives 2006/42/CE, 2014/30/UE et 2011/65/UE. Pour plus de précisions, veuillez contacter Black & Decker à l'adresse qui suit ou consulter la dernière page du présent manuel.

Le soussigné est responsable de la compilation du dossier technique et il fait cette déclaration au nom de Black & Decker.

Ed Higgins

Directeur – Outils électriques grand public
Black & Decker Europe, 270 Bath Road, Slough,
Berkshire, SL1 4DX
Royaume-Uni
07/02/2020

Garantie

Black & Decker est sûr de la qualité de ses produits et offre une garantie de 24 mois aux utilisateurs, à partir de la date d'achat. Cette garantie s'ajoute à vos droits légaux auxquels elle ne porte aucunement préjudice. Cette garantie est valable au sein des territoires des États membres de l'Union Européenne et au sein de la Zone européenne de libre-échange.

Pour prétendre à la garantie, la réclamation doit être en conformité avec les conditions générales de Black & Decker et vous devez fournir une preuve d'achat au vendeur ou au réparateur agréé. Les conditions générales de la garantie de 2 ans Black & Decker ainsi que l'adresse du réparateur agréé le plus proche sont disponibles sur le site Internet www.2helpU.com ou en contactant votre agence Black & Decker locale à l'adresse indiquée dans ce manuel.

Veuillez consulter notre site Internet www.blackanddecker.co.uk pour enregistrer votre nouveau produit Black & Decker et pour être tenu informé des nouveaux produits et offres spéciales.

Usò previsto

Il trapano a percussione BLACK+DECKER BEHS01SDS è stato progettato per trapanare legno, metallo, plastica e murature oltre che per avvitare. Questo attrezzo è destinato esclusivamente all'uso privato.

Istruzioni di sicurezza

Avvertenze di sicurezza generali per gli elettrodomestici



Avvertenza! Leggere attentamente tutte le avvertenze, istruzioni, illustrazioni e specifiche fornite con l'elettrodomestico.

La mancata osservanza delle avvertenze e istruzioni seguenti può dar luogo a scossa elettrica, incendio e/o lesioni gravi.

Conservare tutte le avvertenze e le istruzioni per riferimenti futuri. Il termine "elettrodomestico" utilizzato in tutte le avvertenze elencate di seguito fa riferimento sia agli utensili elettrici alimentati tramite una rete elettrica (con cavo) o agli utensili elettrici a batteria (senza cavo).

1. Sicurezza dell'area di lavoro

- Mantenere pulita e bene illuminata l'area di lavoro.** Gli ambienti disordinati o scarsamente illuminati favoriscono gli incidenti.
- Evitare di usare gli elettrodomestici in ambienti esposti a rischio di esplosione, ad esempio in presenza di liquidi, gas o polveri infiammabili.** Gli elettrodomestici generano scintille che possono incendiare le polveri o i fumi.
- Durante l'uso di un elettrodomestico, tenere lontani i bambini e le altre persone presenti.** Eventuali distrazioni possono provocare la perdita di controllo.

2. Sicurezza elettrica

- Le spine dell'elettrodomestico devono essere adatte alla presa di corrente. Non modificare la spina in alcun modo. Non utilizzare spine con adattatore con un elettrodomestico dotato di messa a terra.**
Per ridurre il rischio di scossa elettrica evitare di modificare le spine e utilizzare sempre le prese di corrente appropriate.
- Evitare il contatto fisico con superfici collegate a terra, come tubi, radiatori, forni e frigoriferi.** Se il corpo dell'utilizzatore è collegato a terra, il rischio di scossa elettrica aumenta.
- Non esporre gli elettrodomestici alla pioggia o all'umidità.** Se dovesse penetrare dell'acqua all'interno dell'elettrodomestico, il rischio di scossa elettrica aumenta.
- Non utilizzare il cavo di alimentazione in modo improprio.**

Non spostare, tirare o scollegare mai l'elettrotensile tirandolo dal cavo. Tenere il cavo di alimentazione lontano da fonti di calore, olio, bordi taglienti o parti in movimento. Se il cavo di alimentazione è danneggiato o impigliato, il rischio di scossa elettrica aumenta.

- e. **Se l'elettrotensile viene utilizzato all'aperto, usare esclusivamente prolunghe omologate per l'impiego all'esterno.** L'uso di un cavo di alimentazione idoneo per esterni riduce il rischio di scossa elettrica.
- f. **Se non è possibile evitare di utilizzare un elettrotensile in una zona umida, collegarsi a una rete elettrica protetta da un interruttore differenziale salvavita (RCD).**
L'uso di un RCD salvavita riduce il rischio di scossa elettrica.
3. Sicurezza personale
- a. **È importante concentrarsi su ciò che si sta facendo e maneggiare con giudizio l'elettrotensile.**
Non utilizzare l'elettrotensile quando si è stanchi o sotto l'effetto di sostanze stupefacenti, alcool o medicinali. Un solo attimo di distrazione durante l'uso dell'elettrotensile potrebbe provocare gravi lesioni alle persone.
- b. **Indossare dispositivi di protezione individuale. Indossare sempre occhiali di sicurezza.** L'uso di dispositivi di protezione, quali mascherine antipolvere, scarpe antinfortunistiche antiscivolo, elmetti di sicurezza o protezioni per l'udito, in condizioni opportune consente di ridurre le lesioni personali.
- c. **Prevenire l'avviamento involontario. Accertarsi che l'interruttore sia nella posizione di spegnimento, prima di collegare l'elettrotensile alla rete elettrica e/o alla batteria, di prenderlo in mano o di trasportarlo.**
Per non esporsi al rischio di incidenti, non trasportare l'elettrotensile tenendo le dita sull'interruttore e non collegarlo a una fonte di alimentazione elettrica con l'interruttore in posizione di accensione.
- d. **Prima di accendere l'elettrotensile, rimuovere eventuali chiavi o utensili di regolazione.** Un utensile di regolazione o una chiave fissati a una parte rotante dell'elettrotensile possono provocare lesioni personali.
- e. **Non sbilanciarsi. Mantenere sempre un appoggio e un equilibrio adeguati.** Ciò consente un migliore controllo dell'elettrotensile nelle situazioni impreviste.
- f. **Vestirsi adeguatamente. Non indossare abiti larghi o gioielli. Tenere i capelli, gli indumenti e i guanti lontano dalle parti mobili.** Abiti larghi, gioielli o capelli lunghi possono impigliarsi nelle parti in movimento.
- g. **Se gli elettrotensili sono provvisti di attacchi per il collegamento di dispositivi di aspirazione o di raccolta della polvere, assicurarsi che questi ultimi siano installati e utilizzati correttamente.**

L'impiego di dispositivi per la raccolta delle polveri può ridurre i pericoli legati alle stesse.

- h. **Non lasciare che la familiarità acquisita dall'uso frequente degli elettrotensili induca a cedere alla tentazione di ignorare i principi di utilizzo sicuro degli stessi.** Un'azione imprudente potrebbe provocare lesioni personali gravi in una frazione di secondo.
4. **Uso e cura dell'elettrotensile**
- a. **Non forzare l'elettrotensile. Utilizzare un elettrotensile adatto al lavoro da eseguire.**
L'elettrotensile corretto funziona meglio e in modo più sicuro, se utilizzato alla velocità per cui è stato progettato.
- b. **Non usare l'elettrotensile se l'interruttore di accensione/spengimento non funziona.** Qualsiasi elettrotensile che non possa essere controllato tramite l'interruttore è pericoloso e deve essere riparato.
- c. **Scollegare la spina dalla presa di corrente e/o il pacco batteria dall'elettrotensile, prima di effettuare qualsiasi tipo di regolazione, cambiare gli accessori o riporlo.** Queste misure di sicurezza preventive riducono il rischio di azionare accidentalmente l'elettrotensile.
- d. **Quando non vengono usati, gli elettrotensili devono essere custoditi fuori dalla portata dei bambini. Non consentire l'uso dell'elettrotensile a persone inesperte o che non abbiano letto le presenti istruzioni d'uso.** Gli elettrotensili sono pericolosi in mano a persone inesperte.
- e. **Eseguire la manutenzione degli elettrotensili e degli accessori. Verificare che le parti mobili siano correttamente allineate e non inceppate, che non vi siano componenti rotti e che non sussistano altre condizioni che possono compromettere il funzionamento dell'elettrotensile. Se l'elettrotensile è danneggiato, farlo riparare prima dell'uso.** Molti incidenti sono provocati da elettrotensili non sottoposti a una corretta manutenzione.
- f. **Mantenere affilati e puliti gli utensili da taglio.** La manutenzione corretta degli utensili da taglio con bordi affilati riduce le probabilità di inceppamento e ne facilita il controllo.
- g. **Utilizzare l'elettrotensile, gli accessori, le punte, ecc. in conformità alle presenti istruzioni, tenendo conto delle condizioni operative e del lavoro da eseguire.**
L'utilizzo dell'elettrotensile per impieghi diversi da quelli previsti può dare luogo a situazioni di pericolo.
- h. **Mantenere le impugnature e le superfici di presa asciutte, pulite e senza tracce di olio o grasso. Impugnature e superfici di presa scivolose non consentono di maneggiare e controllare in modo sicuro l'elettrotensile nel caso di imprevisti.**

5. Assistenza

- a. **Fare riparare l'elettrotensile esclusivamente da personale specializzato e solo utilizzando pezzi di ricambio originali.**

In questo modo viene garantita la sicurezza dell'elettrotensile.

Avvertenze di sicurezza aggiuntive per gli elettrotensili



Avvertenza! Ulteriori avvertenze di sicurezza per i martelli rotativi e gli scalpellatori

- ◆ **Indossare sempre protezioni per le orecchie con il trapano avvitatore.** L'esposizione al rumore può causare la perdita dell'udito.
- ◆ **Usare le impugnature ausiliarie di cui è provvisto l'elettrotensile.** La perdita di controllo può causare lesioni a persone.
- ◆ **Sostenere correttamente l'apparato prima dell'uso.** Questo elettrotensile produce una coppia di uscita elevata e se non viene sorretto correttamente durante l'uso potrebbe provocare lesioni personali.
- ◆ **Tenere l'elettrotensile afferrando le superfici di presa isolate, se si sta eseguendo un'operazione dove esiste la possibilità che l'accessorio di taglio possa venire a contatto di cavi nascosti o del filo di alimentazione.** Se un accessorio di taglio dovesse venire a contatto con un cavo sotto tensione trasmetterebbe la corrente elettrica anche alle parti metalliche esposte dell'elettrotensile, con il pericolo di provocare la folgorazione dell'utilizzatore.

Istruzioni di sicurezza durante l'utilizzo di punte lunghe

- ◆ **Non far funzionare mai a una velocità superiore alla velocità nominale massima della punta del trapano.** A velocità più elevate, è probabile che la punta si pieghi se lasciata ruotare liberamente senza toccare il pezzo in lavorazione, causando lesioni personali.
- ◆ **Iniziare sempre a trapanare a bassa velocità e con la punta a contatto con il pezzo.** A velocità superiori è probabile che la punta si pieghi se viene lasciata ruotare liberamente senza toccare il pezzo da lavorare, con la possibilità di conseguenti lesioni personali.
- ◆ **Applicare pressione solo in linea diretta con la punta e non applicare una pressione eccessiva.** Le punte potrebbero piegarsi e rompersi o provocare la perdita di controllo del trapano con la possibilità di conseguenti lesioni personali.
- ◆ **Non usare mai un accessorio per scalpellatura nella modalità di rotazione.** L'accessorio rimarrà inceppato nel materiale, facendo ruotare il trapano.

- ◆ **Usare morse o altri metodi pratici per fissare e bloccare il pezzo da lavorare a una piattaforma stabile.** Tenere il pezzo in lavorazione con le mani o contro il corpo non ne assicura la stabilità e potrebbe comportare la perdita di controllo dell'elettrotensile.
- ◆ **Prima di trapanare pareti, pavimenti o soffitti, controllare l'ubicazione di fili e tubazioni.**
- ◆ **Evitare di toccare la punta di una punta del trapano subito dopo la trapanatura, in quanto essa potrebbe essere calda.**
- ◆ **L'uso previsto è indicato in questo manuale di istruzioni.** Se questo elettrotensile viene usato con accessori o per usi diversi da quelli raccomandati nel presente manuale, si potrebbero verificare lesioni a persone e/o danni alle cose.
- ◆ **Usare una mascherina antipolvere se il lavoro da eseguire produce polvere o particelle volatili.**

Sicurezza altrui

- ◆ **Questo elettrotensile non è destinato all'uso da parte di persone (compresi i bambini) con capacità fisiche, sensoriali o mentali ridotte, o prive di esperienza e conoscenze, salvo che non siano sottoposte a sorveglianza o ricevano istruzioni riguardo all'uso dell'elettrotensile da parte di una persona responsabile della loro sicurezza.**
- ◆ **Sorvegliare i bambini per assicurarsi che non giochino con l'elettrotensile.**

Rischi residui.

L'utilizzo dell'elettrotensile può comportare rischi residui non necessariamente riportati nelle presenti avvertenze di sicurezza. Tali rischi possono sorgere a seguito di un uso prolungato o improprio, ecc.

Malgrado il rispetto delle norme di sicurezza pertinenti e l'implementazione di dispositivi di sicurezza, alcuni rischi residui non possono essere evitati. Tali rischi includono:

- ◆ lesioni personali causate o subite a seguito del contatto con parti rotanti/in movimento.
- ◆ lesioni causate o subite durante la sostituzione di parti, lame o accessori;
- ◆ lesioni causate dall'impiego prolungato di un elettrotensile (quando si utilizza qualsiasi elettrotensile per lunghi periodi, accertarsi di fare regolarmente delle pause);
- ◆ menomazioni uditive;
- ◆ rischi per la salute causati dall'aspirazione di polvere generata dall'utilizzo dell'elettrotensile (ad esempio, quando si lavora con il legno, in modo particolare quello di quercia, faggio o l'MDF).

Vibrazione

I valori di emissione di vibrazione dichiarati nella sezione "Dati tecnici" e nella Dichiarazione di conformità di questo manuale sono stati misurati in base al metodo di prova standard previsto dalla normativa EN 60745 e possono essere usati come parametri di confronto tra due elettroutensili. Il valore di emissione di vibrazione dichiarato può anche essere usato per una valutazione preliminare dell'esposizione.

Avvertenza! Il valore di emissione di vibrazione durante l'impiego effettivo dell'elettroutensile può variare da quello dichiarato a seconda delle modalità d'uso. Il livello di vibrazione può aumentare oltre quello dichiarato. Quando si valuta l'esposizione a vibrazione per determinare le misure di sicurezza richieste dalla Direttiva 2002/44/CE destinata alla protezione delle persone che utilizzano regolarmente elettroutensili per lo svolgimento delle proprie mansioni, è necessario prendere in considerazione le condizioni effettive di utilizzo e il modo in cui l'elettroutensile viene usato, oltre che tenere conto di tutte le componenti del ciclo operativo, vale a dire i periodi in cui l'elettroutensile rimane spento, quelli in cui è acceso ma fermo e quelli in cui viene effettivamente utilizzato.

Etichette sull'elettroutensile

Sull'elettroutensile sono presenti i seguenti simboli assieme al codice data:



Avvertenza! Per ridurre il rischio di lesioni personali, leggere attentamente il manuale di istruzioni.



Indossare otoprotezioni quando si usano i trapani a percussione. L'esposizione al rumore può causare la perdita dell'udito.

Sicurezza elettrica



Il doppio isolamento di cui è provvisto l'elettroutensile rende superfluo il filo di terra. Verificare sempre che l'alimentazione corrisponda alla tensione riportata sulla targhetta dei valori nominali.

- ◆ In caso di danneggiamento del cavo di alimentazione, farlo riparare dal produttore o presso un Centro di assistenza BLACK+DECKER autorizzato, in modo da evitare pericoli.

Caratteristiche

1. Interruttore di azionamento a velocità variabile
2. Pulsante di blocco
3. Interruttore avanti/indietro
4. Selettore modalità operativa
5. Mandrino
6. Impugnatura laterale
7. Indicatore di profondità

Assemblaggio

Avvertenza! Prima di assemblare l'elettroutensile, assicurarsi che sia spento e scollegato dalla presa di corrente.

Montaggio dell'impugnatura laterale e dell'indicatore di profondità (fig. A, B)

- ◆ Ruotare il manico (6c) in senso antiorario fino a quando è possibile infilare l'impugnatura laterale (6) sulla parte anteriore dell'elettroutensile come illustrato.
- ◆ Ruotare l'impugnatura laterale nella posizione desiderata assicurandosi che le tacche (6a) si inseriscano nella ruota dentata (6b).
- ◆ Inserire l'indicatore di profondità (7) nel foro di fissaggio (7a).
- ◆ Regolare la profondità di trapanatura come descritto di seguito.
- ◆ Serrare l'impugnatura laterale ruotando il manico (6c) in senso orario.

Nota: l'impugnatura laterale può essere posizionata come mostrato in figura B, a seconda delle preferenze.

Montaggio di una punta del trapano (fig. C)

Questo elettroutensile è dotato di mandrino a rilascio rapido che consente di sostituire facilmente le punte.

Avvertenza! Verificare che l'elettroutensile sia bloccato per evitare l'azionamento dell'interruttore prima dell'installazione o rimozione degli accessori.

- ◆ Bloccare l'elettroutensile regolando il cursore avanti/indietro (2) sulla posizione centrale.
- ◆ Inserire il codolo della punta (8) nel mandrino portapunta (5) (Fig. C).

Nota! Per rimuovere la punta da cacciavite/bussola, allontanare il collare del mandrino (5) dalla parte anteriore dell'elettroutensile e tenerlo così (Fig. C).

Uso

Avvertenza! Lasciare che l'elettroutensile funzioni al proprio ritmo. Non sovraccaricarlo.

Avvertenza! Prima di trapanare pareti, pavimenti o soffitti, controllare l'ubicazione di fili e tubazioni.

Selezione della direzione di rotazione (fig. D)

Per la trapanatura e per l'avvitatura usare la rotazione in avanti (senso orario). Per allentare le viti o per rimuovere punte da trapano incastrate, usare la rotazione indietro (senso antiorario).

- ◆ Per selezionare la rotazione in avanti, spingere il pulsante avanti/indietro (3) verso sinistra.
- ◆ Per selezionare la rotazione indietro, spingere il pulsante avanti/indietro verso destra.

Avvertenza! Non cambiare mai la direzione di rotazione quando il motore è in funzione.

Selezione della modalità di trapanatura (Fig. D)

- ◆ Per selezionare una modalità di trapanatura, premere il pulsante 4a e ruotare il selettore all'impostazione desiderata.
- ◆ Per la trapanatura in muratura e calcestruzzo, impostare il selettore modalità di trapanatura (4) in posizione **T 1**.
- ◆ Per la trapanatura di acciaio, legno e plastica o per l'avvitatura, regolare il selettore della modalità operativa (4) sulla posizione **1**.
- ◆ Per la modalità di scalpellatura, regolare il selettore della modalità operativa (4) sulla posizione **T**.

Regolazione della profondità di trapanatura (fig. A)

- ◆ Allentare l'impugnatura laterale (6) ruotando il manico (6a) in senso antiorario.
- ◆ Regolare l'arresto di profondità (7) sulla posizione desiderata. La profondità di trapanatura massima è pari alla distanza tra l'estremità appuntita della punta da trapano e l'estremità anteriore dell'indicatore di profondità.
- ◆ Serrare l'impugnatura laterale ruotando il manico (6c) in senso orario.

Accensione e spegnimento

- ◆ Per accendere l'elettrotensile, premere l'interruttore a velocità variabile (1). La velocità dell'elettrotensile dipende dalla pressione esercitata sull'interruttore. Di regola, usare velocità basse per le punte da trapano di grosso diametro e velocità alte per quelle di diametro più piccolo.
- ◆ Per il funzionamento continuo, premere il pulsante di bloccaggio (2) e rilasciare l'interruttore a velocità variabile. Il pulsante di bloccaggio è disponibile solamente alla massima velocità, con la rotazione in avanti. In modalità inversa, il pulsante di blocco non è disponibile.
- ◆ Per spegnere l'elettrotensile, rilasciare l'interruttore di accensione a velocità variabile. Per spegnere l'elettrotensile durante il funzionamento continuo, premere di nuovo l'interruttore a velocità variabile e rilasciarlo. Tenere sempre l'elettrotensile così come indicato in figura G.

Accessori

Le prestazioni dell'elettrotensile dipendono dall'accessorio usato. Gli accessori BLACK+DECKER sono stati fabbricati in base a standard qualitativi elevati e sono stati progettati per ottenere le migliori prestazioni dall'elettrotensile. Utilizzando questi accessori si otterrà il meglio dall'elettrotensile.

Manutenzione

Questo apparecchio/elettrotensile BLACK+DECKER, con o senza cavo, è stato progettato per funzionare a lungo con una manutenzione minima. Prestazioni sempre soddisfacenti dipendono da una cura appropriata e da una pulizia regolare.

Avvertenza! Prima di eseguire interventi di manutenzione sugli elettrotensili con cavo/cordless:

- ◆ Spegner e scollegare l'apparecchio/elettrotensile dalla presa di corrente.
- ◆ Oppure spegnere ed estrarre la batteria, se l'apparecchio/elettrotensile è dotato una batteria separata.
- ◆ Oppure scaricare completamente la batteria se è di tipo integrale e quindi spegnerlo.
- ◆ Scollegare il caricabatterie dalla spina prima di pulirlo. Il caricabatterie non richiede alcuna manutenzione, salvo una regolare pulizia.
- ◆ Pulire regolarmente le prese di ventilazione dell'apparecchio/elettrotensile/alimentatore con un pennello o con un panno morbido e asciutto.
- ◆ Pulire regolarmente il vano del motore con un panno umido. Non usare materiali abrasivi o detergenti a base di solventi.
- ◆ Aprire regolarmente il mandrino e batterlo leggermente per eliminare la polvere dall'interno (se montato).

Sostituzione della spina (solo Regno Unito e Irlanda)

Se dovesse essere necessario installare una nuova spina:

- ◆ smaltire in sicurezza quella vecchia;
- ◆ collegare il filo marrone al morsetto sotto tensione della nuova spina.
- ◆ collegare il filo blu al morsetto neutro.

Avvertenza! Non effettuare alcun collegamento al terminale di messa a terra. Seguire le istruzioni di montaggio fornite con le spine di buona qualità. Fusibile raccomandato: 5 A.

Protezione dell'ambiente

Raccolta differenziata. I prodotti e le batterie contrassegnati con questo simbolo non devono essere smaltiti con i rifiuti domestici normali.

Prodotti e batterie contengono materiali che possono essere recuperati o riciclati, riducendo la domanda di materie prime. Riciclare i prodotti elettrici e le batterie attenendosi alle disposizioni locali vigenti.

Ulteriori informazioni sono disponibili all'indirizzo www.2helpU.com.

Dati tecnici

		BEHS01
Tensione in ingresso	V _{ca}	230
Potenza assorbita	W	650
Velocità a vuoto	min ⁻¹	0 - 1600
Capacità di perforazione max.		
Calcestruzzo	mm	16
Acciaio	mm	13
Legno	mm	30
Peso	kg	2,6

Valori dichiarati di emissione del rumore a doppia cifra secondo ISO 4871
Pressione sonora misurata ponderata, L_{WA} (rif. 1pW), in decibel = 104.5 dB(A) Incertezza, K_{WA} , in decibel = 3 dB(A)
Livello di pressione sonora emissione audio misurata ponderata A alla postazione di lavoro, L_{pA} (rif. 20µPA), in decibel = 93.5 dB(A) Incertezza, K_{pA} , in decibel = 3 dB(A)
Valori determinati a seconda del codice della prova di rumorosità dati in EN 60745-1:2009/A11:2010, utilizzando le norme di base EN 60745-2-6:2010.
NOTA - la somma di un valore di emissione del rumore misurato e la sua relativa incertezza rappresentano un limite superiore dell'intervallo di valori che è probabile si verifichi nelle misurazioni

Valori totali vibrazioni (somma vettoriale triassiale) determinati in base alla normativa EN 60745		
	La descrizione della modalità operativa "Trapanatura a percussione del calcestruzzo"	La descrizione della modalità operativa "scalpellatura"
Valore emissione vibrazioni a_h	14,1 m/s ²	15,2 m/s ²
Incertezza K	1,5 m/s ²	1,5 m/s ²
Valori determinati secondo la norme EN 60745-1:2009+A11:2010 e EN 60745-2-6:2010		

Dichiarazione di conformità CE

DIRETTIVA MACCHINE



BEHS01 Trapano a percussione

Black & Decker dichiara che i prodotti descritti nella sezione "Dati tecnici" sono conformi alle seguenti norme: EN60745-1:2009+A11:2010, EN60745-2-6:2010.

Questi prodotti sono conformi alle Direttive 2006/42/CE, 2014/30/UE e 2011/65/UE. Per maggiori informazioni contattare Black & Decker al seguente indirizzo oppure consultare l'ultima di copertina del manuale.

Il sottoscritto è responsabile della redazione di questo documento tecnico e rilascia questa dichiarazione per conto di Black & Decker.

Ed Higgins
Direttore – Consumer Power Tools
Black & Decker Europe, 270 Bath Road, Slough,
Berkshire, SL1 4DX
Regno Unito
07/02/2020

Garanzia

Black & Decker è certa della qualità dei propri prodotti e offre ai consumatori una garanzia di 24 mesi dalla data di acquisto. Il presente certificato di garanzia è complementare ai diritti legali e non li pregiudica in alcun modo. La garanzia è valida nei territori degli Stati membri dell'Unione Europea o dell'EFTA (Associazione europea di libero scambio). Per attivare la garanzia, la richiesta di intervento e riparazione in garanzia deve essere effettuata in accordo con i Termini e condizioni Black&Decker e sarà necessario presentare la prova di acquisto al venditore o all'agente di riparazione autorizzato. I Termini e condizioni della garanzia Black&Decker di 2 anni e la sede dell'agente di riparazione autorizzato più vicino sono consultabili su Internet all'indirizzo www.2helpU.com oppure è possibile contattare l'ufficio Black & Decker di zona all'indirizzo indicato in questo manuale. Visitare il nostro sito www.blackanddecker.it per registrare il prodotto Black&Decker appena acquistato e ricevere gli aggiornamenti su nuovi prodotti e offerte speciali.

(Vertaling van de originele instructies)

NEDERLANDS

Bedoeld gebruik

De BLACK+DECKER-slagboormachine van het type BEHS01 SDS is ontworpen voor het boren in hout, metaal, kunststof en metselwerk, maar kan ook worden gebruikt als schroevendraaier. Dit gereedschap is uitsluitend bestemd voor consumentengebruik.

Veiligheidsinstructies

Algemene veiligheidswaarschuwingen voor elektrisch gereedschap



Waarschuwing! Lees alle veiligheids-waarschuwingen, instructies, illustraties en specificaties die bij dit gereedschap zijn meegeleverd. Wanneer de volgende waarschuwingen en voorschriften niet in acht worden genomen, kan dit een elektrische schok, brand of ernstig letsel tot gevolg hebben.

Bewaar alle waarschuwingen en instructies als referentiemateriaal.

De hierna gebruikte term 'elektrisch gereedschap' in alle waarschuwingen die hieronder worden vermeld, heeft betrekking op elektrisch gereedschap voor gebruik op netspanning (met netsnoer) of met een accu (snoerloos).

1. Veilige werkomgeving

- a. **Houd uw werkomgeving schoon en goed verlicht.** Op rommelige of donkere plekken zullen sneller ongelukken gebeuren.

- b. **Werk niet met elektrisch gereedschap in een omgeving met explosiegevaar, zoals in de nabijheid van brandbare vloeistoffen, gassen of stof.** Elektrisch gereedschap veroorzaakt vonken die het stof of de dampen kunnen doen ontbranden.
- c. **Houd kinderen en omstanders tijdens het gebruik van elektrisch gereedschap op afstand.** Als u wordt afgeleid, kunt u de controle over het gereedschap verliezen.

2. Elektrische veiligheid

- a. **De netstekker van het elektrisch gereedschap moet in het stopcontact passen. Pas de stekker nooit op enige manier aan. Gebruik geen adapterstekkers in combinatie met geaard elektrisch gereedschap.** Niet-aangepaste stekkers en passende contactdozen verminderen het risico van een elektrische schok.
- b. **Vermijd aanraking van het lichaam met geaarde oppervlakken, bijvoorbeeld buizen, verwarmingen, fornuizen en koelkasten.** Er bestaat een verhoogd risico van een elektrische schok als uw lichaam contact heeft met aarde.
- c. **Stel elektrisch gereedschap niet bloot aan regen en vocht.** Als er water in een elektrisch gereedschap dringt, verhoogt dit het risico van een elektrische schok.
- d. **Behandel het snoer voorzichtig. Gebruik het snoer nooit om het elektrisch gereedschap te dragen of naar u toe te trekken, of de stekker uit het stopcontact te halen. Houd het snoer uit de buurt van warmtebronnen, olie, scherpe randen, of bewegende onderdelen.** Beschadigde snoeren of snoeren die in de war zijn geraakt, verhogen het risico van een elektrische schok.
- e. **Gebruik, wanneer u buitenshuis met elektrisch gereedschap werkt, alleen verlengsnoeren die zijn goedgekeurd voor gebruik buitenshuis.** Het gebruik van een verlengsnoer dat geschikt is voor buiten vermindert het risico van een elektrische schok.
- f. **Als u met elektrisch gereedschap werkt op een vochtige locatie, gebruik dan een aardlekschakelaar (RCD).** Het gebruik van een aardlekschakelaar vermindert het risico van een elektrische schok.

3. Persoonlijke veiligheid

- a. **Blijf alert, let goed op wat u doet en ga met verstand te werk bij het gebruik van elektrisch gereedschap. Gebruik elektrisch gereedschap niet als u vermoeid bent of als u onder invloed van drugs, alcohol of medicatie bent.** Een moment van onoplettendheid tijdens het werken met elektrisch gereedschap kan leiden tot ernstig persoonlijk letsel.
- b. **Draag persoonlijke beschermende uitrusting. Draag altijd oogbescherming.**

Beschermende uitrusting, zoals een stofmasker, antislip veiligheidsschoenen, een helm, of gehoorbescherming, gebruikt in de juiste omstandigheden, zal het risico op persoonlijk letsel verminderen.

- c. **Voorkom per ongeluk inschakelen. Controleer, voor u de stekker in het stopcontact steekt en/of de accu plaatst, en voor u het gereedschap oppakt en draagt, dat de schakelaar in de uit-stand staat.** Het dragen van elektrisch gereedschap met uw vinger op de schakelaar of het aanzetten van elektrisch gereedschap waarvan de schakelaar aan staat, kan leiden tot ongelukken.
 - d. **Verwijder stelsleutels of steeksleutels voordat u het elektrisch gereedschap inschakelt.** Een steeksleutel of een inbussleutel in een draaiend deel van het elektrisch gereedschap kan tot persoonlijk letsel leiden.
 - e. **Reik niet buiten uw macht. Blijf altijd stevig en in balans op de grond staan.** Dit geeft u betere controle over het elektrisch gereedschap in onverwachte situaties.
 - f. **Draag geschikte kleding. Draag geen loszittende kleding of sieraden. Houd uw haar, kleding en handschoenen uit de buurt van bewegende onderdelen.** Loszittende kleding, sieraden of lang haar kunnen door bewegende delen worden gegrepen.
 - g. **Als voorzieningen voor stofafzuiging of een stofreservoir kunnen worden gemonteerd, controleer dan dat deze zijn aangesloten en op de juiste wijze worden gebruikt.** Het gebruik van stofafzuiging kan aan stof gerelateerde gevaren verminderen.
 - h. **Word niet gemakzuchtig doordat u door veelvuldig gebruik vertrouwd bent geraakt met het gereedschap, en verlies niet de veiligheidsbeginselen uit het oog.** Een onvoorzichtige handeling kan in een fractie van een seconde ernstig letsel tot gevolg hebben.
- ## 4. Gebruik en onderhoud van elektrisch gereedschap
- a. **Overbelast het elektrisch gereedschap niet. Gebruik het juiste elektrisch gereedschap voor uw toepassing.** Met het juiste elektrisch gereedschap kunt u de werkzaamheden waarvoor het gereedschap is ontworpen, beter en veiliger uitvoeren.
 - b. **Gebruik het elektrisch gereedschap niet als de schakelaar niet goed werkt.** Ieder elektrisch gereedschap dat niet met de schakelaar kan worden bediend, is gevaarlijk en moet worden gerepareerd.
 - c. **Trek de stekker uit het stopcontact en/of de accu uit het elektrisch gereedschap voordat u het gereedschap instelt, accessoires wisselt of het elektrisch gereedschap opbergt.** Dergelijke preventieve veiligheidsmaatregelen verminderen het risico dat het elektrisch gereedschap per ongeluk wordt gestart.
 - d. **Bewaar elektrisch gereedschap dat niet wordt gebruikt, buiten bereik van kinderen.**

Laat niet personen die er niet vertrouwd mee zijn en deze aanwijzingen niet hebben gelezen met het gereedschap werken. Elektrisch gereedschap is gevaarlijk in handen van ongetrainde gebruikers.

- e. **Onderhoud elektrisch gereedschap en accessoires goed. Controleer dat bewegende delen van het elektrisch gereedschap wel goed functioneren en niet klemmen, en dat er niet onderdelen zodanig zijn gebroken of beschadigd dat de werking van het gereedschap nadelig wordt beïnvloed. Laat het gereedschap voor gebruik repareren als het beschadigd is.** Veel ongelukken worden veroorzaakt door slecht onderhouden elektrisch gereedschap.
 - f. **Houd zaag- en snijgereedschap scherp en schoon.** Goed onderhouden zaaggereedschap met scherpe snijvlakken loopt minder snel vast en is gemakkelijker onder controle te houden.
 - g. **Gebruik elektrisch gereedschap, accessoires, zaagjes en boortjes, enz., volgens deze aanwijzingen. Let daarbij op de arbeidsomstandigheden en de uit te voeren werkzaamheden.**
Gebruik van het elektrisch gereedschap voor werkzaamheden die anders zijn dan bedoeld, kan leiden tot een gevaarlijke situatie.
 - h. **Houd de handgrepen droog, schoon en vrij van olie en vet. Gladde handgrepen en greepoppervlakken maken het moeilijk het gereedschap veilig te hanteren en onder controle te houden in onverwachte situaties.**
5. **Service**
- a. **Laat het gereedschap alleen repareren door gekwalificeerd en vakkundig personeel en alleen met originele vervangingsonderdelen.**
De veiligheid van het gereedschap blijft dan gewaarborgd.

Aanvullende veiligheids waarschuwingen voor elektrisch gereedschap



Waarschuwing! Aanvullende veiligheids waarschuwingen voor klop- en beitelboormachines

- ◆ **Draag gehoorbescherming wanneer u met de boorhamer werkt.** Blootstelling aan lawaai kan gehoorverlies veroorzaken.
- ◆ **Gebruik de hulphandgrepen die bij het gereedschap worden geleverd.** Verlies van controle kan leiden tot persoonlijk letsel.
- ◆ **Pak het gereedschap goed vast wanneer u het gaat gebruiken.** Dit gereedschap produceert krachtig koppel en wanneer u het gereedschap niet stevig vast heeft tijdens de werkzaamheden, kunt u de controle verliezen en dat kan persoonlijk letsel tot gevolg hebben.

- ◆ **Houd het elektrisch gereedschap vast aan de geïsoleerde greepoppervlakken, wanneer u werkzaamheden uitvoert waarbij de boorbit in aanraking kan komen met verborgen bedrading of het eigen snoer.** Accessoires van elektrisch gereedschap die in contact komen met bedrading waar spanning op staat, kunnen metalen onderdelen van het gereedschap onder stroom zetten en de gebruiker een elektrische schok geven.

Veiligheidsinstructies wanneer u lange boren gebruikt

- ◆ **Werk nooit op een hogere snelheid dan de maximale nominale snelheid van het boorbit.** Bij hogere snelheden zal de boor misschien doorbuigen als deze vrij kan draaien zonder contact met het werkstuk, wat persoonlijk letsel tot gevolg heeft.
- ◆ **Begin altijd met boren op een lagere snelheid en met de tip van de boor-bit in contact met het werkstuk.** Bij hogere snelheden zal de boor misschien doorbuigen als deze vrij kan draaien zonder contact met het werkstuk, wat persoonlijk letsel tot gevolg heeft.
- ◆ **Oefen alleen in een directe lijn met het boortje druk uit en oefen niet al te veel druk uit.** Bits kunnen doorbuigen waardoor ze kunnen breken of de gebruiker de controle kan verliezen, wat persoonlijk letsel tot gevolg heeft.
- ◆ **Gebruik nooit een beitelhulpstuk in de roterende stand.** Het accessoire zal vastlopen in het materiaal en de boormachine zal ronddraaien.
- ◆ **Zet het werkstuk met klemmen of op een andere praktische manier vast en ondersteun het werkstuk op een stabiele ondergrond.**
Wanneer u het werkstuk vasthoudt met de hand of het tegen uw lichaam gedrukt houdt, is het instabiel en kunt u de controle verliezen.
- ◆ **Controleer waar zich bedrading en leidingen bevinden voor u in muren, vloeren of plafonds boort.**
- ◆ **Raak de punt van een boor niet meteen na het boren aan.** De punt kan heet zijn.
- ◆ **Het bedoeld gebruik wordt beschreven in deze gebruiksaanwijzing.** Het gebruik van andere accessoires of hulpstukken of uitvoering van andere handelingen met dit gereedschap dan die in deze instructiehandleiding worden aanbevolen, kan leiden tot persoonlijk letsel en/of materiële schade.
- ◆ **Gebruik een gezichts- of stofmasker wanneer bij de werkzaamheden stof en rondvliegende deeltjes kunnen ontstaan.**

Veiligheid van anderen

- ◆ Het is niet de bedoeling dat dit apparaat wordt gebruikt door personen (waaronder kinderen) met verminderde fysieke, zintuiglijke of psychische vermogens, of met een gebrek aan ervaring en kennis, tenzij onder toezicht van of met aanwijzingen over het gebruik van de machine door een persoon die verantwoordelijk is voor hun veiligheid.
- ◆ Houd toezicht op kinderen zodat zij niet met het apparaat kunnen spelen.

Overige risico's.

Er kunnen zich bij het gebruik van dit gereedschap nog meer risico's voordoen, die mogelijk niet in de bijgesloten veiligheidsaanschuivingen worden beschreven. Deze risico's kunnen zich voordoen door onoordeelkundig gebruik, langdurig gebruik, enz.

Zelfs wanneer de veiligheidsvoorschriften in acht worden genomen en de veiligheidsvoorzieningen worden gebruikt, kunnen bepaalde risico's niet worden uitgesloten. Dit zijn onder meer:

- ◆ Verwondingen die worden veroorzaakt door het aanraken van draaiende of bewegende onderdelen.
- ◆ Verwondingen die worden veroorzaakt bij het vervangen van onderdelen, zaagbladen of accessoires.
- ◆ Verwondingen die worden veroorzaakt door langdurig gebruik van gereedschap. Wanneer u langere periodes met gereedschap werkt, kunt u het beste regelmatig een pauze nemen.
- ◆ Gehoorbeschadiging.
- ◆ Gezondheidsrisico's door het inademen van stof dat vrijkomt tijdens het gebruik van uw gereedschap (bijvoorbeeld: het werken met hout, met name eiken, beuken en MDF).

Trillingen

De aangegeven waarden voor trillingsemissie in de technische gegevens en de Conformiteitsverklaring zijn gemeten conform een standaardtestmethode die door EN 60745 wordt verstrekt. Hiermee kan het ene gereedschap met het andere worden vergeleken. De aangegeven waarde voor trillingsemissie kan ook worden gebruikt bij een voorlopige bepaling van blootstelling.

Waarschuwing! De waarde voor trillingsemissie tijdens het werkelijke gebruik van het elektrisch gereedschap kan verschillen van de aangegeven waarde afhankelijk van de manieren waarop het gereedschap wordt gebruikt. Het trillingsniveau kan toenemen tot boven het aangegeven niveau.

Bij beoordeling van de blootstelling aan trillingen met het doel vast te stellen welke veiligheidsmaatregelen 2002/44/EG vereist ter bescherming van personen die tijdens hun werk regelmatig elektrisch gereedschap gebruiken, moet bij een inschatting van de blootstelling aan trillingen rekening worden

gehouden met de werkelijke gebruiksomstandigheden en de manier waarop het gereedschap wordt gebruikt. Daarbij moet ook rekening worden gehouden met alle onderdelen van de bedrijfscyclus, zoals wanneer het gereedschap wordt uitgeschakeld en wanneer het gereedschap stationair loopt en ook de aanlooptijd.

Etiketten op het gereedschap

Naast de datumcode is het gereedschap voorzien van de volgende symbolen:



Waarschuwing! De gebruiker moet de instructiehandleiding lezen zodat het risico van letsel wordt beperkt.



Draag gehoorbeschermers bij het werken met slagboormachines. Blootstelling aan lawaai kan gehoorverlies veroorzaken

Elektrische veiligheid



Dit gereedschap is dubbel geïsoleerd, daarom is een aardeaansluiting niet vereist. Controleer altijd dat de stroomvoorziening overeenkomt met de voltage op het typeplaatje.

- ◆ Als het netsnoer is beschadigd, moet het door de fabrikant of door een geautoriseerd BLACK+DECKER-servicecentrum worden vervangen, zodat gevaarlijke situaties worden voorkomen.

Functionies

1. Variabele-snelheidsschakelaar
2. Knop voor vergrendeling in de Aan-stand
3. Schakelaar voor vooruit/achteruit
4. Selectieschakelaar voor boorstand
5. Spankop
6. Zijhandgreep
7. Dieptemeter

Montage

Waarschuwing! Controleer, voor montage, dat het gereedschap is uitgeschakeld en de stekker uit het stopcontact is getrokken.

De zijhandgreep en de dieptemeter bevestigen (afb. A, B)

- ◆ Draai de knop (6c) naar rechts tot u de zijhandgreep (6) op de voorzijde van het gereedschap kunt schuiven, zoals wordt getoond.
- ◆ Draaide zijhandgreep in de gewenste positie en let er daarbij op dat de nokken (6a) vast komen te zitten in verandering (6b).
- ◆ Steek de dieptemeter (7) in het montagegat (7a).
- ◆ Stel de boordiepte in op de hierna beschreven wijze.

- ◆ Zet de zijhandgreep vast door de knop (6c) naar rechts te draaien.

NB: U kunt de zijhandgreep plaatsen zoals wordt getoond in afbeelding B, afhankelijk van uw persoonlijke voorkeur.

Een boorbit plaatsen (afb. C)

Dit gereedschap is uitgerust met een snelspankop, zodat u bits gemakkelijk kunt verwisselen.

Waarschuwing! Controleer voor u accessoires plaatst of verwijderd, dat het gereedschap is vergrendeld zodat de schakelaar niet per ongeluk kan worden geactiveerd.

- ◆ Vergrendel het gereedschap door de schuifknop voor vooruit/achteruit (2) in de middelste stand te zetten.
- ◆ Plaats de bitschacht (8) in de spankop (5) (Afb. C).

NB! Trek de kraag (5) van de spankop weg van de voorkant van het gereedschap (Afb. C) en houd deze vast, als u het bit/ de dop wilt verwijderen.

Gebruik

Waarschuwing! Laat het gereedschap op z'n eigen snelheid werken. Overbelast het gereedschap niet.

Waarschuwing! Controleer waar zich bedrading en leidingen bevinden voordat u in muren, vloeren of plafonds boort.

De draairichting selecteren (afb. D)

Gebruik voor boren en het vastdraaien van schroeven de voorwaartse draairichting (rechtsom). Voor het losdraaien van schroeven of het verwijderen van een vastgelopen boorbit, gebruikt u de achterwaartse draairichting (rechtsom).

- ◆ Druk, als u vooruit draaien wilt selecteren, de schakelaar voor vooruit/achteruit (3) naar links.
- ◆ Druk, als u achteruit draaien wilt selecteren, de knop voor vooruit/achteruit naar rechts.

Waarschuwing! Verander de draairichting nooit terwijl de motor loopt.

De boorstand selecteren (afb. D)

- ◆ U kunt de boorstand selecteren door knop 4a in te duwen en de selectieknop naar de gewenste instelling te draaien.
- ◆ Zet voor de slagboorwerking in metselwerk en beton de selectieknop (4) voor de boorstand in de stand **T 1**.
- ◆ Zet voor boren in staal, hout of kunststof of voor gebruik als schroevendraaier de selectieknop (4) voor de bedrijfsstand in de stand **1**.
- ◆ Zet voor gebruik in de beitelstand de selectieknop (4) in de stand **T**.

De boordiepte instellen (afb. A)

- ◆ Draai de zijhandgreep (6) los door de knop (6a) naar links te draaien.
- ◆ Stel de dieptemeter (7) in de gewenste stand. De maximale boordiepte is gelijk aan afstand tussen de tip van de boorbit en de voorzijde van de dieptemeter.

- ◆ Zet de zijhandgreep vast door de knop (6c) naar rechts te draaien.

In- en uitschakelen

- ◆ Schakel het gereedschap in door op de schakelaar (1) voor variabele snelheid te drukken. De snelheid van het gereedschap hangt af van hoe ver u de schakelaar indrukt. In het algemeen geldt dat u lage snelheden gebruikt voor boren met een grote diameter en hoge snelheden voor boren met boortjes met een kleinere diameter.
- ◆ Activeer de stand voor de ononderbroken werking door de knop (2) voor vergrendeling in de Aan-stand in te drukken en de schakelaar voor variabele snelheid los te laten. De knop voor vergrendeling in de Aan-stand werkt alleen bij volledige snelheid, voorwaartse rotatie. Bij achterwaartse rotatie is de knop voor vergrendeling in de Aan-stand niet beschikbaar.
- ◆ U schakelt het gereedschap uit door de schakelaar voor de variabele snelheid los te laten. Druk in de stand voor ononderbroken werking weer op de schakelaar voor variabele snelheid en laat de knop los als u het gereedschap wilt uitschakelen. Houd het gereedschap altijd vast zoals in afbeelding G wordt getoond.

Accessoires

De prestaties van het gereedschap zijn afhankelijk van de gebruikte accessoires. Accessoires van BLACK+DECKER zijn ontworpen om aan hoge kwaliteitsnormen te voldoen en de prestaties van uw gereedschap te verhogen. Door deze accessoires te gebruiken kunt u uw gereedschap nog beter laten presteren.

Onderhoud

Het BLACK+DECKER-apparaat/-gereedschap (met netsnoer/snoerloos) is ontworpen om gedurende lange tijd te functioneren met een minimum aan onderhoud. Het continu naar tevredenheid functioneren hangt af van de juiste zorg voor het gereedschap en regelmatig schoonmaken.

Waarschuwing! Doe altijd het volgende voordat u onderhoudswerkzaamheden

aan gereedschap (met snoer/snoerloos) uitvoert:

- ◆ Schakel het gereedschap/apparaat uit en trek de stekker uit het stopcontact.
- ◆ Of schakel het gereedschap/apparaat als het een afzonderlijke accu heeft, uit en neem de accu uit.
- ◆ Of laat de accu volledig ontladen, als de accu is ingebouwd en schakel het gereedschap uit.
- ◆ Trek de stekker van de lader uit het stopcontact voor u de lader schoonmaakt. Behalve regelmatige reiniging vraagt de lader geen onderhoud.

- ◆ Reinig regelmatig de ventilatieopeningen van het gereedschap/apparaat/lader met een zachte borstel of droge doek.
- ◆ Reinig de behuizing van de motor regelmatig met een vochtige doek. Gebruik niet een schurend schoonmaakmiddel of een schoonmaakmiddel op basis van een oplosmiddel.
- ◆ Open regelmatig de spankop, tik erop en verwijder zo eventueel stof uit het binnenste (indien van toepassing).

Netstekker vervangen (alleen VK en Ierland)

Als er een nieuwe netstekker moet worden gemonteerd:

- ◆ Gooi de oude stekker op verantwoorde wijze weg.
- ◆ Sluit de bruine draad aan op de spanningvoerende pool in de nieuwe stekker.
- ◆ Sluit de blauwe draad op de niet-spanningvoerende pool.

Waarschuwing! Er moet geen verbinding tot stand worden gebracht met de aardeaansluiting. Volg de montage-instructies die bij stekkers van goede kwaliteit worden geleverd. Aanbevolen zekering: 5 A.

Bescherming van het milieu

Gescheiden inzameling. Producten en accu's waarop dit symbol is aangebracht, mogen niet bij het normale huishoudafval worden weggegooid. Producten en accu's bevatten materialen die kunnen worden teruggewonnen of gerecycled en dat doet de vraag naar grondstoffen afnemen. Recycle elektrische producten en accu's volgens de ter plaatse geldende bepalingen. Nadere informatie is beschikbaar op www.2helpU.com

Technische gegevens

		BEHS01
Ingangsspanning	V_{AC}	230
Opgenomen vermogen	W	650
Snelheid onbelast	min^{-1}	0 - 1600
Max. boorcapaciteit		
Beton	mm	16
Staal	mm	13
Hout	mm	30
Gewicht	kg	2,6

Opgegeven tweecijferige geluidsemissiewaarden in overeenstemming met ISO 4871	
Gemeten A-gewogen geluidsvermogeniveau, L_{WA} (1pW), in decibels = 104.5 dB(A) Meetonzekerheid, K_{WA} , in decibels = 3 dB(A)	
Gemeten A-gewogen emissie geluidsdruk bij het werkstation, L_{pA} (ref. 20µPA), in decibels = 93.5 dB(A) Meetonzekerheid, K_{pA} , in decibels = 3 dB(A)	

Opgegeven tweecijferige geluidsemissiewaarden in overeenstemming met ISO 4871
Waarden vastgesteld volgens de geluidstecode uit de EN 60745-1:2009+ A11:2010, met gebruik van de basisstandaarden EN 60745-2-6:2010
NB - De totale gemeten geluidsemissiewaarde en de daarbij horende meetonzekerheid geven de bovengrens aan van de reeks waarden die waarschijnlijk zullen voorkomen bij metingen

Totale trillingwaarden (som triaxvector) bepaald volgens EN 60745		
	de beschrijving van de werkstand 'slagboorwerking in beton'	de beschrijving van de werkstand 'werken in de betelstand'
Vibratie-emissiewaarde a_n	14.1 m/s^2	15.2 m/s^2
Onzekerheid K	1,5 m/s^2	1,5 m/s^2
Waarden bepaald volgens EN 60745-1:2009+A11:2010 en EN 60745-2-6:2010		

EG Conformiteitsverklaring
RICHTLIJN VOOR MACHINES



BEHS01 Slagboormachine

Black & Decker verklaart dat de producten die worden beschreven onder "technische gegevens", voldoen aan: EN60745-1:2009+A11:2010, EN60745-2-6:2010.

Deze producten voldoen ook aan Richtlijn 2006/42/EC, 2014/30/EU en 2011/65/EU. Neem voor meer informatie contact op met Black & Decker op het volgende adres of raadpleeg de achterzijde van de handleiding.

Ondergetekende is verantwoordelijk voor de samenstelling van het technische bestand en legt deze verklaring af namens Black & Decker.

Ed Higgins
Director – Consumer Power Tools
Black & Decker Europe, 270 Bath Road, Slough,
Berkshire, SL1 4DX
Verenigd Koninkrijk
07/02/2020

Garantie

Black & Decker heeft vertrouwen in zijn producten en biedt consumenten een garantie van 24 maanden vanaf de aankoopdatum. Deze garantie vormt een aanvulling op uw wettelijke rechten en beperken deze niet. De garantie is geldig op het grondgebied van de Lidstaten van de Europese Unie en de Europese Vrijhandelszone.

Voor een garantie-aanspraak moet uw aanspraak in overeenstemming zijn met de Voorwaarden en Conditie van Black & Decker en moet u een bewijs van aankoop overleggen aan de verkoper of aan een geautoriseerde reparatiemonteur. Voorwaarden en condities van de 2-jarige garantie van Black & Decker en het adres van de vestiging van het geautoriseerde reparatiecentrum bij u in de buurt, kunt u vinden op internet op www.2helpU.com, of door contact op te nemen met het Black & Decker-kantoor ter plaatse, op het adres dat in deze handleiding wordt vermeld.

Bezoek onze website www.blackanddecker.nl, waar u uw nieuwe Black & Decker-product kunt registreren en het laatste nieuws vindt over nieuwe producten en speciale aanbiedingen.

Uso previsto

El taladro percutor SDS BEHS01 de BLACK+DECKER ha sido diseñado para taladrar madera, metal, plásticos y mampostería, así como para atornillar. Esta herramienta ha sido concebida únicamente para uso doméstico.

Instrucciones de seguridad

Advertencias de seguridad para herramientas eléctricas en general



¡Advertencia! Lea todas las advertencias de seguridad, instrucciones, ilustraciones y especificaciones suministradas con esta herramienta eléctrica. En caso de no atenerse a las siguientes advertencias e instrucciones de seguridad, podría producirse una descarga eléctrica, incendio o lesiones graves.

Guarde todas las advertencias e instrucciones para futuras consultas. El término "herramienta eléctrica" empleado en las advertencias a continuación hace referencia a la herramienta eléctrica con alimentación de red (con cable) o alimentada por batería (sin cable).

1. Seguridad del área de trabajo

- a. Mantenga limpia y bien iluminada el área de trabajo.** Las áreas en desorden u oscuras pueden provocar accidentes.
- b. No utilice herramientas eléctricas en entornos con peligro de explosión, como aquellos en los que haya líquidos, gases o polvos inflamables.** Las herramientas eléctricas originan chispas que pueden inflamar el polvo o los gases.

- c. Mantenga alejados a los niños y otras personas del área de trabajo al emplear la herramienta eléctrica.** Las distracciones pueden causar la pérdida del control de la herramienta.

2. Seguridad eléctrica

- a. El enchufe de la herramienta eléctrica debe corresponder a la toma de corriente. No modifique nunca el enchufe de ninguna forma. No utilice ningún enchufe adaptador con las herramientas eléctricas conectadas a tierra (puestas a masa).** Los enchufes no modificados y las tomas de corriente compatibles reducen el riesgo de descarga eléctrica.
- b. Evite que su cuerpo toque partes conectadas o puestas a tierra tales como tuberías, radiadores, cocinas y refrigeradores.** Existe un mayor riesgo de descarga eléctrica si su propio cuerpo está conectado a tierra.
- c. No exponga las herramientas eléctricas a la lluvia y a la humedad.** Si entra agua en una herramienta eléctrica, aumenta el riesgo de descarga eléctrica.
- d. Cuide el cable de alimentación. No use nunca el cable para transportar, tirar de la herramienta eléctrica o desenchufarla. Mantenga el cable alejado del calor, aceite, bordes afilados y piezas en movimiento.** Los cables dañados o enredados aumentan el riesgo de descarga eléctrica.
- e. Al trabajar con la herramienta eléctrica en la intemperie utilice solamente cables de prolongación homologados para su uso en exteriores.** La utilización de un cable adecuado para el uso en exteriores reduce el riesgo de descarga eléctrica.
- f. Si la utilización de una herramienta eléctrica en un lugar húmedo es inevitable, utilice una fuente protegida con un dispositivo diferencial residual (DDR).** El uso de un DDR reduce el riesgo de descarga eléctrica.

3. Seguridad personal

- a. Esté atento a lo que hace y emplee la herramienta eléctrica con prudencia.** **No maneje una herramienta eléctrica cuando esté cansado o bajo los efectos de drogas, medicamentos o alcohol.** Un momento de falta de atención cuando se manejan las herramientas eléctricas puede ocasionar lesiones personales graves.
- b. Utilice un equipo de protección personal. Utilice siempre protección ocular.** El uso de equipo de protección, como mascarillas antipolvo, calzado antideslizante, casco o protección auditiva para las condiciones apropiadas reduce la posibilidad de sufrir lesiones corporales.

- c. **Impida que la herramienta se ponga en marcha involuntariamente. Asegúrese de que el interruptor se encuentre en la posición de apagado antes de conectar la herramienta a la fuente de alimentación o a la batería, o de coger o transportar la herramienta.** Transportar herramientas eléctricas con el dedo puesto en el interruptor o herramientas eléctricas activadoras que tengan el interruptor encendido puede provocar accidentes.
 - d. **Retire las herramientas de ajuste o llaves fijas antes de encender la herramienta eléctrica.** Dejar una llave inglesa u otra llave puesta en una pieza en movimiento de la herramienta eléctrica puede ocasionar lesiones personales.
 - e. **Sea precavido. Mantenga un equilibrio adecuado y la estabilidad constantemente.** Esto permite un mejor control de la herramienta eléctrica en situaciones inesperadas.
 - f. **Lleve puesta una vestimenta de trabajo adecuada. No se ponga ropa suelta o joyas. Mantenga el cabello, la ropa y los guantes alejados de las piezas en movimiento.** La ropa suelta, las joyas y el pelo largo pueden quedar atrapados en las piezas en movimiento.
 - g. **Siempre que sea posible utilizar unos equipos de aspiración o captación de polvo, asegúrese de que estén montados y de se utilicen correctamente.** El uso de equipo de recogida de polvo puede reducir los riesgos relacionados con el polvo.
 - h. **Evite que la familiaridad adquirida con el uso frecuente de las herramientas le haga confiarse demasiado e ignorar las normas de seguridad de las herramientas.** Un descuido puede causar lesiones graves en una fracción de segundo.
- 4. Uso y cuidado de herramientas eléctricas**
- a. **No sobrecargue la herramienta eléctrica. Use la herramienta eléctrica correcta para su trabajo.** La herramienta eléctrica correcta funcionará mejor y con mayor seguridad si se utiliza de acuerdo con sus características técnicas.
 - b. **No utilice la herramienta eléctrica si no se puede encender y apagar con el interruptor.** Toda herramienta eléctrica que no pueda controlarse con el interruptor es peligrosa y debe ser reparada.
 - c. **Desconecte el enchufe de la herramienta eléctrica de la fuente de alimentación y/o la batería antes de realizar cualquier ajuste, cambiar accesorios o guardar la herramienta.** Dichas medidas de seguridad preventivas reducen el riesgo de poner en marcha accidentalmente la herramienta eléctrica.
 - d. **Guarde las herramientas eléctricas fuera del alcance de los niños y no permita que las utilicen las personas no familiarizadas con su uso o con estas instrucciones.** Las herramientas eléctricas son peligrosas en manos de personas no capacitadas.
 - e. **Realice el mantenimiento de sus herramientas eléctricas y accesorios. Compruebe que las piezas móviles no estén desalineadas ni atascadas, que no haya piezas rotas y cualquier otra condición que pudiera afectar al funcionamiento de la herramienta eléctrica. Si la herramienta eléctrica está dañada, llévela para que sea reparada antes de utilizarla.** Se ocasionan muchos accidentes por el mal mantenimiento de las herramientas eléctricas.
 - f. **Mantenga las herramientas de corte limpias y afiladas.** Hay menos probabilidad de que las herramientas de cortar con bordes afilados se bloqueen, y son más fáciles de controlar.
 - g. **Utilice la herramienta eléctrica, los accesorios, los útiles de la herramienta, etc. de acuerdo con estas instrucciones, y tenga en cuenta las condiciones de trabajo y la tarea que va a realizar.** El uso de la herramienta eléctrica para operaciones que no sean las previstas puede ocasionar una situación peligrosa.
 - h. **Mantenga las empuñaduras y superficies de agarre secas, limpias y libres de aceite y grasa. Las empuñaduras resbaladizas y las superficies engrasadas impiden aferrar y controlar la herramienta en situaciones imprevistas.**
- 5. Reparaciones**
- a. **Esta herramienta eléctrica solo la puede reparar personal técnico autorizado que emplee exclusivamente piezas de repuesto originales.** Así se asegurará que se mantenga la seguridad de la herramienta eléctrica.

Advertencias de seguridad adicionales para herramientas eléctricas



¡Advertencia! Advertencias de seguridad adicionales para martillos giratorios y de cincelado

- ◆ **Lleve protección auditiva cuando realice taladrados de percusión.** La exposición al ruido puede provocar pérdida de audición.
- ◆ **Utilice las empuñaduras auxiliares suministradas con la herramienta.** La pérdida de control puede provocar lesiones personales.
- ◆ **Apuntale la herramienta correctamente antes de usarla.**

Esta herramienta produce un alto par de salida y, si no se apuntala correctamente durante el funcionamiento, puede hacerle perder el control y causar lesiones personales.

- ◆ **Sujete la herramienta eléctrica por la superficie de agarre aislada cuando realice una operación en la que el accesorio de corte pueda entrar en contacto con cableado oculto o con su propio cable.** El contacto de los accesorios de corte con un cable "cargado", puede cargar las partes metálicas expuestas de la herramienta eléctrica y producir una descarga eléctrica al operador.

Indicaciones de seguridad para el uso de brocas largas

- ◆ **Nunca utilice una velocidad superior a la velocidad nominal máxima de la broca.** A velocidades más altas, la broca podría doblarse si se la deja girar libremente sin entrar en contacto con la pieza de trabajo, y podría ocasionar lesiones personales.
- ◆ **Empiece a taladrar siempre a baja velocidad y poniendo la punta de la broca en contacto con la pieza de trabajo.** A velocidades más altas, la broca podría doblarse si se la deja girar libremente sin entrar en contacto con la pieza de trabajo y causar lesiones personales.
- ◆ **Aplique una presión no demasiado excesiva y solo en línea directa con la broca.** Las brocas pueden doblarse causando rotura o pérdida de control y lesiones personales.
- ◆ **No utilice nunca un accesorio de cincelado cuando use el modo rotativo.** El accesorio se bloquearía en el material y giraría la broca.
- ◆ **Utilice fijaciones o cualquier otro método para fijar y apoyar la pieza de trabajo en una plataforma estable.** Si sostiene la pieza de trabajo con las manos o con su cuerpo, esta estará inestable y podrá hacer que usted pierda el control.
- ◆ Antes de perforar paredes, suelos o techos, compruebe la ubicación de los cables y las tuberías.
- ◆ No toque la punta de la broca inmediatamente después de taladrar, ya que puede estar caliente.
- ◆ En este manual de instrucciones se describe el uso previsto. La utilización de accesorios o dispositivos auxiliares o la realización de operaciones distintas a las recomendadas en este manual de instrucciones para esta herramienta pueden suponer un riesgo de lesiones corporales y/o de daños materiales.
- ◆ Utilice una mascarilla protectora si el trabajo puede producir polvo o partículas volátiles.

Seguridad de otras personas

- ◆ Este aparato no está destinado para ser usado por personas (incluyendo los niños) con capacidades físicas, sensoriales o mentales reducidas, o que carezcan de experiencia o del conocimiento necesario, a menos que estén supervisadas o reciban las instrucciones relativas al uso del aparato por una persona encargada de su seguridad.
- ◆ Los niños deben estar siempre vigilados para asegurarse de que no juegan con el aparato.

Riesgos residuales.

El uso de esta herramienta puede producir riesgos residuales adicionales no incluidos en las advertencias de seguridad adjuntas. Estos riesgos se pueden generar por un uso incorrecto, demasiado prolongado, etc.

El cumplimiento de las normas de seguridad correspondientes y el uso de dispositivos de seguridad no evitan ciertos riesgos residuales. Dichos riesgos incluyen:

- ◆ Lesiones producidas por el contacto con piezas móviles o giratorias.
- ◆ Lesiones causadas al cambiar piezas, hojas o accesorios.
- ◆ Lesiones causadas por el uso prolongado de una herramienta. Si utiliza una herramienta durante períodos de tiempo demasiado prolongados, asegúrese de realizar pausas con frecuencia.
- ◆ Deterioro auditivo.
- ◆ Riesgos para la salud causados por la respiración del polvo generado por el uso de la herramienta (por ejemplo, al trabajar con madera, especialmente roble, haya y tablero semiduro de fibras).

Vibración

Los valores de emisión de vibraciones declarados en el apartado de características técnicas y en la declaración de conformidad se han calculado según un método de prueba estándar proporcionado por la norma EN 60745 y podrán utilizarse para comparar una herramienta con otra. El valor de emisión de vibraciones especificado también puede utilizarse en una evaluación preliminar de la exposición.

¡Advertencia! El valor de emisión de vibraciones durante el funcionamiento real de la herramienta eléctrica puede diferir del valor declarado en función de cómo se utilice dicha herramienta. El nivel de las vibraciones puede aumentar por encima del nivel declarado.

Al evaluar la exposición a las vibraciones con el fin de determinar las medidas de seguridad que exige la directiva 2002/44/CE para proteger a las personas que utilizan periódicamente herramientas eléctricas en el entorno laboral, deberá tenerse en cuenta una estimación de la exposición a las vibraciones, las condiciones de uso reales y el modo de empleo de la herramienta, así como los pasos del ciclo operativo como, por ejemplo, el número de veces que la herramienta se apaga, el tiempo que está parada y el tiempo de activación.

Etiquetas en la herramienta

Junto con el código de la fecha, en la herramienta aparecen los siguientes pictogramas:



¡Advertencia! Para reducir el riesgo de lesiones, el usuario debe leer el manual de instrucciones.



Lleve protectores para los oídos cuando trabaje con taladros percutores. La exposición a los ruidos puede causar pérdida auditiva.

Seguridad eléctrica



Esta herramienta lleva un doble aislamiento; por lo tanto, no requiere una toma de tierra. Compruebe siempre que el voltaje suministrado corresponda al indicado en la placa de características.

- ◆ Si se daña el cable de alimentación, el fabricante o un centro de servicio técnico autorizado de BLACK+DECKER deberán sustituirlo para evitar riesgos.

Características

1. Interruptor de velocidad variable
2. Botón de funcionamiento continuo
3. Interruptor de avance/retroceso
4. Selector de modo de perforación
5. Portabrocas
6. Empuñadura lateral
7. Calibre de profundidad

Montaje

¡Advertencia! Antes de proceder al montaje, compruebe que la herramienta está apagada y desenchufada.

Colocación de la empuñadura lateral y del calibre de profundidad (Fig. A, B)

- ◆ Gire la perilla (6c) hacia la izquierda hasta que pueda deslizar la empuñadura lateral (6) hacia la parte frontal de la herramienta como se muestra.
- ◆ Gire la empuñadura lateral hacia la posición deseada y compruebe que las muescas (6a) encajen en los salientes de la herramienta (6b).

- ◆ Inserte el calibre de profundidad (7) en el orificio de montaje (7a).
- ◆ Ajuste la profundidad del taladro tal y como se describe más abajo.
- ◆ Apriete la empuñadura lateral girando la perilla (6c) en sentido horario.

Nota: la empuñadura lateral puede colocarse como se muestra en la figura B, dependiendo de las preferencias personales.

Colocación de una broca (Fig. C)

Esta herramienta está dotada de un mandril de liberación rápida que permite cambiar las puntas fácilmente.

¡Advertencia! Asegúrese de que la herramienta está bloqueada para evitar que se active el interruptor antes de colocar o extraer accesorios.

- ◆ Para bloquear la herramienta, ajuste el control deslizante de avance/retroceso (2) en la posición central.
- ◆ Inserte el mango de la broca (8) en el portabrocas (5). (Fig. C).

Nota: Para sacar la punta/broca, tire del collarín del portabrocas (5) y manténgalo apartado de la parte frontal de la herramienta (Fig. C).

Uso

¡Advertencia! Deje que la herramienta funcione a su ritmo. No la sobrecargue.

¡Advertencia! Antes de perforar paredes, suelos o techos, compruebe la ubicación de los cables y tuberías.

Selección del sentido de la rotación (Fig. D)

Para perforar y apretar tornillos, utilice la rotación hacia delante (en el sentido de las agujas del reloj). Para aflojar tornillos o extraer una broca atascada, utilice la rotación hacia atrás (en el sentido contrario a las agujas del reloj).

- ◆ Para seleccionar la rotación hacia delante, pulse el botón de avance/retroceso (3) hacia la posición izquierda.
- ◆ Para seleccionar la rotación hacia atrás, pulse el botón de avance/retroceso hacia la derecha.

¡Advertencia! No cambie nunca la dirección de la rotación mientras el motor está en marcha.

Selección del modo de taladro (Fig. D)

- ◆ Para seleccionar el modo de taladrado, pulse el botón 4a y gire el selector hasta el ajuste deseado.
- ◆ Para el taladrado de percusión en mampostería y hormigón, coloque el selector de modo de taladrado (4) en la posición **T 1**.
- ◆ Para el taladrado de acero, madera y plástico, o para el atornillado, coloque el selector de modo (4) en la posición **1**.
- ◆ Para el modo de cincelado, coloque el selector de modo de taladrado (4) en la posición **T**.

Ajuste de la profundidad de perforación (Fig. A)

- ◆ Gire la perilla (6a) hacia la izquierda para aflojar la empuñadura lateral (6).
- ◆ Ajuste el calibre de profundidad (7) en la posición que desee. La profundidad de perforación máxima es igual a la distancia entre la punta de la broca y el extremo frontal del calibre de profundidad.
- ◆ Apriete la empuñadura lateral girando la perilla (6c) en sentido horario.

Encendido y apagado

- ◆ Para encender la herramienta, pulse el interruptor de velocidad variable (1). La velocidad de la herramienta depende de lo lejos que presione el interruptor. Como norma general, utilice niveles de velocidad reducidos con las brocas de gran diámetro y velocidades superiores con las brocas de diámetro más pequeño.
- ◆ Pulse el botón de bloqueo (2) para un funcionamiento continuo y suelte el interruptor de velocidad variable. El botón de bloqueo funciona a plena velocidad solo en modo de avance.
En modo de retroceso, el botón de bloqueo no está disponible.
- ◆ Para apagar la herramienta, suelte el interruptor de velocidad variable. Para apagar la herramienta mientras esté activado el funcionamiento continuo, vuelva a pulsar el interruptor de velocidad variable y suéltelo. Sujete siempre la herramienta como se muestra en la figura G.

Accesorios

El funcionamiento de la herramienta dependerá del accesorio que se utilice. Los accesorios de BLACK+DECKER se han fabricado siguiendo estándares de alta calidad y se han diseñado para mejorar el funcionamiento de la herramienta. Con estos accesorios, sacará el máximo provecho a su herramienta.

Mantenimiento

Su aparato o herramienta con o sin cable de BLACK+DECKER ha sido diseñada para funcionar durante un largo período de tiempo con un mantenimiento mínimo. El funcionamiento satisfactorio y continuo depende del buen cuidado de la herramienta y de una limpieza frecuente.

¡Advertencia! Antes de realizar el mantenimiento de las herramientas con cable o sin cable:

- ◆ Apague y desenchufe el aparato/herramienta.
- ◆ O apague y extraiga la batería del aparato/herramienta en caso de que tenga batería independiente.
- ◆ O si la batería es integral, deje que se agote por completo y después apague el aparato.
- ◆ Desenchufe el cargador antes de limpiarlo. El cargador no requiere ningún mantenimiento especial excepto la limpieza periódica.

- ◆ Limpie periódicamente las ranuras de ventilación de la herramienta/aparato/cargador con un cepillo suave o un paño seco.
- ◆ Limpie periódicamente la carcasa del motor con un paño húmedo. No utilice limpiadores abrasivos o a base de disolventes.
- ◆ Abra regularmente el portabrocas y golpéelo suavemente para eliminar los restos de polvo que haya en su interior (si se encuentra colocado).

Sustitución del enchufe de red (solo para Reino Unido e Irlanda)

Si debe colocar un nuevo enchufe de red:

- ◆ Elimine el enchufe viejo según las normas de seguridad.
- ◆ Conecte el cable marrón al terminal conductor del nuevo enchufe.
- ◆ Conecte el cable azul al terminal neutro.

¡Advertencia! No deberá realizar ninguna conexión al terminal de tierra. Siga las instrucciones de colocación suministradas con los enchufes de buena calidad. Fusible recomendado: 5 A.

Protección del medio ambiente

Recogida selectiva. Los productos y las baterías marcadas con este símbolo no se deben eliminar con los residuos domésticos normales.

Los productos y las baterías que contienen materiales que se puedan recuperar o reciclar reducen la demanda de materias primas.

Recicle los productos eléctricos y las baterías de conformidad con la normativa local.

Puede obtener más información en www.2helpU.com

Datos técnicos

		BEHS01
Voltaje de entrada	V _{CA}	230
Potencia de entrada	W	650
Velocidad en vacío	min ⁻¹	0 - 1600
Capacidad máxima de perforación		
Hormigón	mm	16
Acero	mm	13
Madera	mm	30
Peso	kg	2.6

Valores de emisión de ruido de doble número declarados de conformidad con ISO 4871	
Nivel de potencia acústica ponderada A medida, L _{WA} (ref. 1pW), en decibelios = 104.5 dB(A) Incertidumbre, K _{WA} , en decibelios = 3 dB(A)	
Nivel de potencia presión de sonido de emisión A medida en el puesto de trabajo, L _{PA} (ref. 20μPA), en decibelios = 93.5 dB(A) Incertidumbre, K _{PA} , en decibelios = 3 dB(A)	

Valores de emisión de ruido de doble número declarados de conformidad con ISO 4871
Valores determinados de acuerdo con el código de prueba de ruido dado en EN 60745-1:2009+A11:2010, utilizando las normas básicas EN 60745-2-6:2010.
NOTE- La suma de un valor de emisión de ruido medido y su incertidumbre asociada representa un límite superior del rango de valores que es probable que se produzca en las mediciones

Valores totales de vibración (suma vectorial triaxial) determinada según la norma EN 60745		
	Descripción del modo de trabajo: "perforación de percusión en hormigón"	Descripción del modo de trabajo "Cincelado"
Valor de emisión de vibraciones a_w	14.1 m/s ²	15.2 m/s ²
Incertidumbre K	1.5 m/s ²	1.5 m/s ²
Valores determinados de acuerdo con la norma EN 60745-1:2009+A11:2010 and EN 60745-2-6:2010		

Declaración de conformidad CE
DIRECTIVA DE MÁQUINAS



Taladro percutor BEHS01

Black & Decker declara que los productos descritos en "Datos técnicos" cumplen las siguientes normas: EN60745-1:2009+A11:2010, EN60745-2-6:2010.

Estos productos también cumplen las directivas 2006/42/CE, 2014/30/UE y 2011/65/UE. Para más información, póngase en contacto con Black & Decker a través de la siguiente dirección o consulte la contracubierta del manual.

El abajo firmante es responsable de la elaboración del archivo técnico y realiza esta declaración en nombre de Black & Decker.

Ed Higgins

Director – Herramientas eléctricas de consumo
Black & Decker Europa, 270 Bath Road, Slough,
Berkshire, SL1 4DX
Reino Unido
07/02/2020

Garantía

Black & Decker confía en la calidad de sus productos y ofrece a los consumidores una garantía de 24 meses a partir de la fecha de compra. Esta garantía es adicional a sus derechos legales y no los menoscaba en modo alguno.

La garantía es válida dentro de los territorios de los Estados Miembros de la Unión Europea y del Área de Libre Comercio Europea.

Para reclamar la garantía, la reclamación se debe presentar de conformidad con las condiciones de Black & Decker. Tendrá que adjuntar un justificante de compra al vendedor o al agente técnico autorizado. Las condiciones de la garantía de 2 años de Black & Decker y la ubicación de su agente técnico autorizado más cercano se pueden obtener en Internet en www.2helpU.com o poniéndose en contacto con su oficina local de Black & Decker en la dirección que se indica en este manual. Visite nuestro sitio web www.blackanddecker.co.uk para registrar su nuevo producto Black & Decker y recibir noticias sobre nuevos productos y ofertas especiales.

(Tradução das instruções originais)

Utilização pretendida

O berbequim de percussão BLACK+DECKER BEHS01 SDS foi concebido para perfurar madeira, metal, plástico, alvenaria e também para aparafusar. Esta ferramenta destina-se apenas a utilização doméstica.

Instruções de segurança

Avisos de segurança gerais para ferramentas eléctricas



Atenção! Leia todos os avisos de segurança, instruções, ilustrações e especificações fornecidas com esta ferramenta eléctrica. O não cumprimento dos seguintes avisos e instruções pode resultar em choque eléctrico, incêndio e/ou ferimentos graves.

Guarde todos os avisos e instruções para futura referência. A expressão "ferramenta eléctrica" utilizada a seguir refere-se a ferramentas eléctricas com ligação a corrente eléctrica (com fio) ou com bateria (sem fio).

1. **Segurança na área de trabalho**
 - a. **Mantenha a área de trabalho limpa e bem iluminada.** As áreas desorganizadas ou escuras são propensas a acidentes.
 - b. **Não trabalhe com ferramentas eléctricas em áreas com risco de explosão, nas quais se encontrem líquidos, gases ou poeiras inflamáveis.** As ferramentas eléctricas criam faíscas que podem inflamar estas poeiras ou vapores.
 - c. **Mantenha crianças e outras pessoas afastadas durante a utilização da ferramenta eléctrica.**

As distrações podem levar à perda do controlo da ferramenta.

2. Segurança eléctrica

- a. **As fichas da ferramenta eléctrica devem encaixar na tomada. Nunca modifique a ficha de forma alguma. Não utilize fichas adaptadoras com ferramentas eléctricas ligadas à terra.**
As fichas não modificadas e as tomadas compatíveis reduzem o risco de choque eléctrico.
- b. **Evite que o corpo entre em contacto com superfícies ligadas à terra, como tubos, radiadores, fogões e frigoríficos.** Se o seu corpo estiver "ligado" à terra, o risco de choque eléctrico é maior.
- c. **As ferramentas eléctricas não podem ser expostas a chuva ou a humidade.** A entrada de água numa ferramenta eléctrica aumenta o risco de choque eléctrico.
- d. **Manuseie o cabo com cuidado. Nunca o utilize para transportar, puxar ou desligar a ferramenta eléctrica. Mantenha o cabo afastado de fontes de calor, substâncias oleosas, arestas afiadas ou peças móveis.** Os cabos danificados ou emaranhados aumentam o risco de choque eléctrico.
- e. **Quando trabalhar com uma ferramenta eléctrica ao ar livre, utilize uma extensão adequada para esse fim.** A utilização de um cabo adequado para uso ao ar livre reduz o risco de choque eléctrico.
- f. **Se for inevitável trabalhar com uma ferramenta eléctrica num local húmido, utilize um dispositivo de corrente residual (DCR).**
A utilização de um DCR reduz o risco de choque eléctrico.

3. Segurança pessoal

- a. **Mantenha-se atento, observe o que está a fazer e seja prudente quando trabalhar com a ferramenta eléctrica. Não utilize uma ferramenta eléctrica quando estiver cansado ou sob o efeito de drogas, álcool ou medicamentos.** Um momento de distração durante a utilização de ferramentas eléctricas pode resultar em ferimentos graves.
 - b. **Utilize equipamento de protecção individual. Use sempre protecção ocular.** O equipamento de protecção, como, por exemplo, uma máscara contra o pó, sapatos de segurança antiderrapantes, um capacete de segurança ou uma protecção auditiva, usado nas condições apropriadas, reduz o risco de ferimentos.
 - c. **Evite arranques involuntários. Certifique-se de que o gatilho está desligado antes de ligar a ferramenta à corrente eléctrica e/ou as baterias e antes de levantar ou transportar a ferramenta.** Se mantiver o dedo sobre o gatilho quando transportar ferramentas eléctricas ou se as ligar à fonte de alimentação com o gatilho ligado, isso pode dar origem a acidentes.
 - d. **Retire eventuais chaves de ajuste ou chaves de fendas antes de ligar a ferramenta eléctrica.** Uma chave de fenda ou de ajuste fixada numa peça rotativa da ferramenta eléctrica pode causar ferimentos.
 - e. **Não tente chegar a pontos fora do alcance. Mantenha sempre os pés bem apoiados e um equilíbrio apropriado.** Desta forma, será mais fácil controlar a ferramenta eléctrica em situações inesperadas.
 - f. **Use vestuário adequado. Não use roupa larga ou jóias. Mantenha o cabelo, a roupa e as luvas afastados das peças móveis.** As roupas largas, as jóias ou o cabelo comprido podem ficar presos nestas peças.
 - g. **Se for prevista a montagem de dispositivos de extracção e recolha de poeiras, assegure-se de que estão ligados e que são utilizados de forma correcta.** A utilização de dispositivos de extracção de partículas pode reduzir os riscos relacionados com as mesmas.
 - h. **Não permita que o facto de estar familiarizado com a utilização frequente das ferramentas o torne complacente e ignore os princípios de segurança da ferramenta.** Uma acção irreflectida pode causar ferimentos numa fracção de segundo.
- ## 4. Utilização e manutenção da ferramenta eléctrica
- a. **Não sobrecarregue a ferramenta eléctrica. Utilize a ferramenta eléctrica correcta para o seu trabalho.** A ferramenta eléctrica adequada irá efectuar o trabalho de um modo mais eficiente e seguro se for utilizada de acordo com a capacidade para a qual foi concebida.
 - b. **Não utilize a ferramenta eléctrica se não conseguir ligar ou desligar o gatilho.** Qualquer ferramenta eléctrica que não possa ser controlada através do gatilho é perigosa e tem de ser reparada.
 - c. **Desligue a ficha da tomada e/ou a bateria da ferramenta eléctrica antes de proceder a ajustes, trocar acessórios ou guardar ferramentas eléctricas.** Estas medidas de segurança preventivas reduzem o risco de ligar a ferramenta eléctrica acidentalmente.
 - d. **Mantenha as ferramentas eléctricas que não estiverem a ser utilizadas fora do alcance das crianças. Não permita que a ferramenta eléctrica seja utilizada por pessoas não familiarizadas com a mesma ou que não tenham lido estas instruções.** As ferramentas eléctricas são perigosas nas mãos de pessoas que não possuam as qualificações necessárias para as manusear.
 - e. **Proceda à manutenção das ferramentas eléctricas. Verifique se as partes móveis estão desalinhasadas ou bloqueadas, se existem peças partidas ou qualquer outra situação que possa afectar o funcionamento das ferramentas eléctricas. Se a ferramenta eléctrica estiver danificada, esta não deve ser utilizada até que seja reparada.**

Muitos acidentes têm como principal causa ferramentas eléctricas com uma manutenção insuficiente.

- f. **Mantenha as ferramentas de corte afiadas e limpas.** As ferramentas de corte sujeitas a uma manutenção adequada, com arestas de corte afiadas, bloqueiam com menos frequência e controlam-se com maior facilidade.
- g. **Utilize a ferramenta eléctrica, os acessórios e as peças de ferramenta, etc., de acordo com estas instruções, considerando as condições de trabalho e a tarefa a ser executada.**
A utilização da ferramenta eléctrica para fins diferentes dos previstos pode resultar em situações perigosas.
- h. **Mantenha os punhos e as superfícies de preensão secos, limpos e sem qualquer óleo ou gordura. Se o punho estiver escorregadio e as superfícies de preensão tiverem gordura, isso não permite um manuseamento e controlo seguros da ferramenta em situações inesperadas.**

5. Assistência

- a. **A ferramenta eléctrica deve ser reparada por pessoal qualificado e só devem ser colocadas peças sobresselentes idênticas.**

Desta forma, é garantida a segurança da ferramenta eléctrica.

Avisos de segurança adicionais para ferramentas eléctricas



Atenção! Avisos de segurança adicionais para berbequins rotativos e de cinzelagem

- ◆ **Use protecção auricular durante a perfuração de percussão.** A exposição ao ruído pode causar perda auditiva.
- ◆ **Utilize os punhos auxiliares fornecidos com a ferramenta.** A perda de controlo pode causar lesões pessoais.
- ◆ **Fixe bem a ferramenta antes de utilizá-la.** Esta ferramenta produz um binário de saída elevado. Se não fixar bem a ferramenta durante a operação, pode ocorrer perda de controlo, o que pode causar ferimentos.
- ◆ **Segure a ferramenta eléctrica pelas superfícies de preensão isoladas quando executar uma operação em que o acessório de corte possa entrar em contacto com cablagem escondida ou o próprio cabo.** O acessório de corte que entre em contacto com um fio com tensão eléctrica pode fazer com que as peças de metal expostas da ferramenta conduzam electricidade e electrocutem o utilizador.

Instruções de segurança quando utilizar brocas compridas

- ◆ **Nunca utilize a ferramenta a uma velocidade mais elevada do que a velocidade nominal máxima da broca.** A velocidades mais elevada, a broca pode ficar dobrada se rodar livremente sem tocar na peça, podendo causar ferimentos.
- ◆ **Inicie sempre a perfuração a uma velocidade reduzida e com a ponta da broca em contacto com a peça.** A velocidades mais elevadas, a broca pode ficar dobrada se rodar livremente sem tocar na peça, o que pode causar ferimentos.
- ◆ **Aplique pressão apenas em linha directa com a broca e não aplique pressão excessiva.** As brocas podem ficar dobradas e causar rotura ou perda de controlo, bem como ferimentos.
- ◆ **Nunca utilize um acessório de cinzel no modo rotativo.** O acessório irá bloquear o material e fazer rodar a broca.
- ◆ **Utilize grampos ou outro sistema prático para apoiar e fixar a peça numa plataforma estável.**
Segurar a peça com a mão ou contra o corpo pode causar instabilidade e perda de controlo.
- ◆ **Antes de perfurar paredes, tectos ou chão, verifique a localização de cablagem e dos tubos.**
- ◆ **Evite tocar na ponta da broca logo após a perfuração, porque pode estar quente.**
- ◆ **A utilização pretendida está descrita neste manual de instruções.** A utilização de qualquer acessório ou a realização de qualquer operação com esta ferramenta que não se inclua no presente manual de instruções pode causar ferimentos e/ou danos materiais.
- ◆ **Utilize uma máscara de rosto ou de protecção contra poeiras sempre que a utilização possa produzir poeiras ou partículas em suspensão.**

Segurança de terceiros

- ◆ **Este equipamento não deve ser utilizado por pessoas (incluindo crianças) com capacidades físicas, sensoriais ou mentais reduzidas ou com falta de experiência e conhecimentos, a menos que estejam acompanhadas ou tenham recebido formação ou instruções sobre a utilização deste equipamento por uma pessoa responsável pela respectiva segurança.**
- ◆ **As crianças devem ser vigiadas para garantir que não mexem no equipamento.**

Riscos residuais.

Podem surgir riscos residuais adicionais durante a utilização da ferramenta, que podem não constar nos avisos de segurança incluídos. Estes riscos podem resultar de má utilização, uso prolongado, etc.

Mesmo com o cumprimento dos regulamentos de segurança relevantes e a implementação de dispositivos de segurança, alguns riscos residuais não podem ser evitados. Estes incluem:

- ◆ Ferimentos causados pelo contacto com peças em rotação/movimento.
- ◆ Ferimentos causados durante a substituição de peças, lâminas ou acessórios.
- ◆ Ferimentos causados pela utilização prolongada de uma ferramenta. Se utilizar uma ferramenta durante períodos prolongados, certifique-se de que faz pausas regularmente.
- ◆ Danos auditivos.
- ◆ Problemas de saúde causados pela inalação de poeiras resultantes da utilização da ferramenta (por exemplo, trabalhos em madeira, especialmente carvalho, faia e MDF.)

Vibração

Os valores de emissão de vibração declarados na secção de dados técnicos e na declaração de conformidade foram medidos de acordo com o método de teste padrão fornecido pela norma EN 60745 e podem ser utilizados para comparar ferramentas. O valor de emissão de vibração declarado pode ainda ser utilizado numa avaliação preliminar de exposição.

Atenção! O valor da emissão de vibração durante a utilização real da ferramenta eléctrica pode ser diferente do valor declarado, dependendo da forma como a ferramenta é utilizada. O nível de vibração pode aumentar acima do nível indicado.

Quando avaliar a exposição da vibração para determinar as medidas de segurança exigidas pela Directiva 2002/44/CE para proteger pessoas que utilizem regularmente ferramentas eléctricas na sua actividade profissional, deve ser considerada uma estimativa de exposição de vibração, as condições reais de utilização e o modo de utilização da ferramenta, incluindo ainda todas as partes do ciclo de funcionamento, como os períodos de inactividade e espera da ferramenta, além do tempo de funcionamento.

Etiquetas colocadas na ferramenta

A ferramenta apresenta os seguintes pictogramas de aviso em conjunto com o código de data:



Atenção! Para reduzir o risco de ferimentos, o utilizador deve ler o manual de instruções.



Utilize protecção auditiva com berbequins de percussão. A exposição ao ruído pode causar perda auditiva

Segurança eléctrica



Esta ferramenta tem isolamento duplo. Por esse motivo, não precisa de ligação à terra. Verifique sempre se a tensão da tomada de electricidade corresponde à tensão indicada na placa com os requisitos de alimentação da ferramenta.

- ◆ Se o cabo de alimentação estiver danificado, terá de ser substituído pelo fabricante ou por um Centro de Assistência autorizado da BLACK+DECKER, de modo a evitar situações de perigo.

Componentes

1. Botão de velocidade variável
2. Botão de bloqueio
3. Interruptor para a frente/para trás
4. Selector de modo de perfuração
5. Mandril
6. Punho lateral
7. Limitador de profundidade

Montagem

Atenção! Antes da montagem, certifique-se de que a ferramenta está desligada e que não está ligada à corrente eléctrica.

Ajustar o punho lateral e o limitador de profundidade (Fig. A, B)

- ◆ Rode o botão (6c) para a esquerda até conseguir fazer deslizar o punho lateral (6) para a frente da ferramenta, tal como mostrado.
- ◆ Rode o punho lateral para a posição pretendida, garantindo que as ranhuras (6a) encaixam na roda (6b).
- ◆ Introduza o limitador de profundidade (7) no furo para fixação (7a).
- ◆ Ajuste a profundidade de perfuração, conforme descrito abaixo.
- ◆ Aperte o punho lateral, rodando o botão (6c) para a direita.

Nota: o punho lateral pode ser posicionado como indicado na Figura B, dependendo da preferência pessoal.

Colocar uma broca (Fig. C)

Esta ferramenta inclui um mandril de libertação rápida para facilitar a troca de pontas.

Atenção! Antes de retirar ou instalar acessórios, certifique-se de que a ferramenta está bloqueada para impedir a activação accidental do interruptor de funcionamento.

- ◆ Bloqueie a ferramenta colocando a correção de avanço/recuo (2) na posição central.
- ◆ Coloque o veio de pontas (8) no mandril (5) (Fig. C).

Nota! Para retirar a broca/bocal, puxe e mantenha seguro o botão de ajuste do mandril (5) afastado da parte da frente da ferramenta (Fig. C).

Utilização

Atenção! Não altere o ritmo de funcionamento da ferramenta. Não sobrecarregue.

Atenção! Antes de perfurar paredes, tectos ou chão, verifique a localização de cablagem e tubos.

Seleção do sentido de rotação (Fig. D)

Para perfuração e para apertar parafusos, utilize a rotação para a frente (no sentido dos ponteiros do relógio). Para soltar parafusos ou remover uma broca encravada, utilize a rotação para trás (no sentido oposto aos ponteiros do relógio).

- ◆ Para seleccionar a rotação para a frente, pressione o botão para a frente/para trás (3) para a posição da esquerda.
- ◆ Para seleccionar a rotação para trás, pressione o botão para a frente/para trás para a direita.

Atenção! Nunca altere a direcção de rotação enquanto o motor estiver a funcionar.

Seleccionar o modo de perfuração (Fig. D)

- ◆ Para seleccionar um modo de perfuração, pressione o botão 4a e rode o selector para a regulação pretendida.
- ◆ Para perfuração de percussão em alvenaria e betão, regule o selector de modo de perfuração (4) para a posição **T 1**.
- ◆ Para perfurar aço, madeira e plástico ou para apertar parafusos, coloque o selector do modo de perfuração (4) na posição **1**.
- ◆ Para mudar para o modo de cinzelagem, coloque o selector de modo de perfuração (4) na posição **T**.

Ajustar a profundidade de perfuração (Fig. A)

- ◆ Afrouxe o punho lateral (6), rodando o botão (6a) para a esquerda.
- u Coloque o limitador de profundidade (7) na posição pretendida. A profundidade de perfuração máxima é igual à distância entre a ponta da broca e a parte da frente do limitador de profundidade.
- ◆ Aperte o punho lateral, rodando o botão (6c) para a direita.

Ligar e desligar

- ◆ Para ligar a ferramenta, pressione o interruptor de velocidade variável (1). A velocidade da ferramenta depende da intensidade da pressão no botão. Em regra geral, utilize velocidades baixas para brocas de diâmetros superiores e velocidades altas para brocas de diâmetros inferiores.
- ◆ Para uma operação contínua, pressione o botão de bloqueio (2) e solte o interruptor de velocidade variável. O botão de bloqueio só funciona a velocidade total no modo de avanço.

No modo de recuo, o botão de bloqueio não está disponível.

- ◆ Para desligar a ferramenta, liberte o interruptor de velocidade variável. Para desligar a ferramenta quando estiver a executar uma operação contínua, pressione o interruptor de velocidade variável mais uma vez e solte-o. Segure sempre a ferramenta conforme indicado na Figura G.

Acessórios

O desempenho da ferramenta depende dos acessórios utilizados. Os acessórios BLACK+DECKER são concebidos segundo normas de elevada qualidade e desenvolvidos de modo a melhorar o desempenho da sua ferramenta. A utilização destes acessórios permite tirar o máximo proveito da ferramenta.

Manutenção

O seu equipamento/ferramenta com/sem fio BLACK+DECKER foi concebido para funcionar durante muito tempo, com um mínimo de manutenção. Uma utilização continuamente satisfatória depende de uma manutenção adequada da ferramenta e de uma limpeza frequente.

Atenção! Antes de proceder a qualquer acção de manutenção em ferramentas eléctricas com fio/sem fio:

- ◆ Desligue o equipamento/ferramenta e retire a respectiva ficha da tomada.
- ◆ Pode também desligar e retirar a bateria do equipamento/ferramenta caso o equipamento/ferramenta tenha uma bateria individual.
- ◆ Pode também deixar a bateria descarregar completamente se estiver incorporada e, em seguida, desligue-a.
- ◆ Desligue o carregador antes de limpá-lo. O carregador não necessita de manutenção para além da limpeza frequente.
- ◆ Limpe regularmente as ranhuras de ventilação do equipamento/ferramenta/carregador com uma escova macia ou um pano seco.
- ◆ Limpe regularmente o compartimento do motor com um pano húmido. Não utilize produtos de limpeza abrasivos ou à base de dissolventes.
- ◆ Abra o mandril regularmente e bata no mesmo para remover qualquer vestígio de pó do interior (se estiver instalada).

Substituição da ficha de alimentação (apenas Reino Unido e Irlanda)

Se for necessário instalar uma nova ficha de alimentação:

- ◆ Elimine com segurança a ficha antiga.
- ◆ Ligue o cabo castanho no terminal activo da nova ficha.
- ◆ Ligue o cabo azul ao terminal neutro.

Atenção! Não deve ser efectuada qualquer ligação ao terminal de terra. Siga as instruções de instalação fornecidas com fichas de boa qualidade. Fusível recomendado: 5 A.

Protecção do ambiente

Recolha selectiva. Os produtos e as baterias assinalados com este símbolo não devem ser eliminados juntamente com o lixo doméstico normal.

Os produtos e as baterias contêm materiais que podem ser recuperados ou reciclados, reduzindo assim a necessidade de matérias-primas.

Recicle os produtos eléctricos e as baterias de acordo com as disposições locais.

Estão disponíveis mais informações em www.2helpU.com

Dados técnicos

		BEHS01
Tensão de entrada	V _{CA}	230
Alimentação	W	650
Velocidade sem carga	min ⁻¹	0 - 1600
Capacidade máx. de perfuração		
Betão	mm	16
Aço	mm	13
Madeira	mm	30
Peso	kg	2,6

Valores declarados de emissão de ruído de dois dígitos em conformidade com a norma ISO 4871	
Nível de potência acústica medida de ponderação A, L _{WA} (ref. 1pW), em decibéis = 104,5 dB(A) Variabilidade, K _{var} , em decibéis = 3 dB(A)	
Nível de pressão acústica de emissão de ruído de ponderação A medida na estação de trabalho, L _{PA} (ref. 20μPA), em decibéis = 93,5 dB(A) Variabilidade, K _{var} , em decibéis = 3 dB(A)	
Valores determinados de acordo com o código de ensaio de ruído indicado em EN 60745-1:2009+ A11:2010, de acordo com as normas básicas EN 60745-2-6:2010	
NOTA: a soma do valor de emissão de ruído emitido e a variabilidade associada representa um limite superior do intervalo de valores, que pode ocorrer nas medições	

Valores totais de vibração (soma vectores triax) determinados em conformidade com o EN 60745		
	descrição do modo de trabalho "perfurar com martelo em betão"	descrição do modo de trabalho "cinzelagem"
Valor de emissão de vibração a _v	14,1 m/s ²	15,2 m/s ²
K de variabilidade	1,5 m/s ²	1,5 m/s ²
Valores determinados de acordo com as normas EN 60745-1:2009+A11:2010 e EN 60745-2-6:2010		

Declaração de conformidade CE

DIRECTIVA "MÁQUINAS"



BEHS01 Berbequim de percussão

A Black & Decker declara que os produtos descritos nos "dados técnicos" estão em conformidade com: EN60745-1:2009+A11:2010, EN60745-2-6:2010.

Estes produtos estão também em conformidade com as directivas 2006/42/CE, 2014/30/UE e 2011/65/UE. Para obter mais informações, contacte a Black & Decker através da morada indicada em seguida ou consulte o verso do manual.

O abaixo-assinado é responsável pela compilação do ficheiro técnico e faz esta declaração em nome da Black & Decker.

Ed Higgins

Director de Ferramentas eléctricas para bricolage
Black & Decker Europe, 270 Bath Road, Slough,
Berkshire, SL1 4DX
Reino Unido
07/02/2020

Garantia

A Black & Decker confia na qualidade dos seus produtos e oferece aos clientes uma garantia de 24 meses a partir da data de compra. Esta garantia é um complemento dos seus direitos estabelecidos por lei, não os prejudicando de forma alguma. A garantia é válida nos Estados-membros da União Europeia e nos países-membros da Zona Europeia de Comércio Livre.

Para accionar a garantia, esta deve estar em conformidade com os termos e condições da Black & Decker e terá de apresentar comprovativos de compra ao vendedor ou a um técnico de reparação autorizado. Os termos e condições da garantia de 2 anos da Black & Decker e a localização do agente de reparação autorizado mais próximo podem ser obtidos na Internet em www.2helpU.com ou contactando uma filial da Black & Decker, cuja morada está indicada neste manual.

Visite o nosso Website www.blackanddecker.co.uk para registar o novo produto Black & Decker e manter-se actualizado relativamente a novos produtos e ofertas especiais.

Avsedd användning

Din BLACK+DECKER BEHS01 slagbormaskin är avsedd för borring i trä, metall, plast och murverk, samt för skruvdragning. Detta verktyg är endast avsett för konsumentbruk.

Säkerhetsinstruktioner

Allmänna säkerhetsanvisningar för elverktyg



Varning! Läs alla säkerhetsvarningar, instruktioner, illustrationer och specifikationer som levereras med detta elverktyg.

Fel som uppstår till följd av att varningarna och instruktionerna som listas nedan inte följts kan orsaka elstöt, brand och/eller allvarliga kroppsskador..

Spara alla säkerhetsföreskrifter och anvisningar för framtida bruk. Begreppet "Elverktyg" i alla varningar som listas nedan avser nätdrivna elverktyg (med nätsladd) och batteridrivna elverktyg (sladdlösa).

1. Säkerhet på arbetsplatsen

- Se till att arbetsområdet är rent och väl belyst.** Belamrade och mörka områden inbjuder till olyckor.
- Använd inte elverktyget i explosionsfarlig omgivning, t.ex. i närheten av brännbara vätskor, gaser eller damm.** Elverktyg skapar gnistor som kan antända damm eller ångor.
- Håll barn och åskådare på avstånd vid arbete med elverktyget.** Distractioner kan göra att du förlorar kontrollen.

2. Elsäkerhet

- Elverktygets stickkontakt måste passa i eluttaget. Modifiera aldrig kontakten på något sätt. Använd inga adapterkontakter tillsammans med jordade elverktyg.** Icke modifierade kontakter och passande uttag minskar risken för elektrisk stöt.
- Undvik kroppskontakt med jordade ytor, t.ex. rör, värmeelement, spisar och kylskåp.** Det finns en ökad risk för elektrisk stöt om din kropp är jordansluten eller jordad.
- Utsätt inte elverktyget för regn eller våta omgivelningar.** Vatten som kommer in i ett elverktyg ökar risken för elektrisk stöt.
- Misshandla inte nätsladden. Använd aldrig sladden för att bära, dra eller koppla bort elverktyget från uttaget. Håll sladden borta från värme, olja, skarpa kanter eller rörliga delar.** Skadade eller tilltrasslade sladdar ökar risken för elektrisk stöt.
- Använd en förlängningssladd som lämpar sig för utomhusbruk när du arbetar med elverktyg utomhus.**

Användning av en sladd som är lämplig för utomhusbruk minskar risken för elektriska stöt.

- Om du måste använda ett elverktyg på en fuktig plats, bör du använda en strömförsörjning med jordfelsbrytare.**

Användning av en jordfelsbrytare minskar risken för elektrisk stöt.

3. Personlig säkerhet

- Var uppmärksam, se på vad du gör och använd sunt omdöme när du använder elverktyget. Använd inte ett elverktyg när du är trött eller påverkad av droger, alkohol eller mediciner.** Ett ögonblicks ouppmärksamhet när du arbetar med elektriska verktyg kan leda till allvarliga personskador.
 - Använd personlig skyddsutrustning. Använd alltid skyddsglasögon.** Skyddsutrustning såsom dammfilterskydd, hals säkra säkerhetsskor, skyddshjälm eller hörselskydd som används för lämpliga förhållanden minskar personskador.
 - Förhindra oavsiktlig start. Kontrollera att strömbrytaren står i avstängt läge innan du ansluter verktyget till elnätet eller sätter i batteriet, samt innan du tar upp eller bär verktyget.** Att bära elektriska verktyg med fingret på strömbrytaren eller att koppla strömmen till elektriska verktyg när strömbrytaren är på leder till olyckor.
 - Ta bort alla inställningsverktyg och skruvnycklar innan du startar elverktyget.** Ett verktyg eller en nyckel som har lämnats kvar på en roterande del av det elektriska verktyget kan orsaka kroppsskador.
 - Sträck dig inte för mycket. Ha ordentligt fotfäste och balans hela tiden.** Detta möjliggör bättre kontroll av elverktyget i oväntade situationer.
 - Bär lämpliga kläder. Bär inte lösa kläder eller smycken. Håll hår, beklädnad och handskar borta från delar i rörelse. Lösa kläder, smycken eller långt hår kan fastna i rörliga delar.**
 - Om enheten har dammutsugnings- och uppsamlingsutrustning, se till att den är ansluten och används på korrekt sätt.** Användning av dammuppsamling kan minska dammrelaterade risker.
 - Låt inte förtrogenheten som uppstått genom regelbunden användning av verktyg låta dig bli självsäker och ignorera verktygets säkerhetsprinciper.** En oförsiktig handling kan orsaka allvarliga skador under bräddelen av en sekund.
- #### 4. Användning och skötsel av elverktyg
- Överbelasta inte elverktyget. Använd rätt elverktyg för ditt arbete.** Det korrekta elverktyget gör arbetet bättre och säkrare vid den hastighet för vilket det konstruerades.
 - Använd inte elverktyget om det inte kan startas och stängas av med strömbrytaren.**

Ett elverktyg som inte kan kontrolleras med strömbrytaren är farligt och måste repareras.

- c. **Dra stickproppen ur vägguttaget och/eller ta ut batteriet ur elverktyget innan inställningar görs, tillbehörs byts ut eller elverktyget ställs undan.** Sådana förebyggande säkerhetsåtgärder minskar risken att oavsiktligt starta elverktyget.
- d. **Förvara elverktyg utom räckhåll för barn och låt inte personer som är ovana vid elverktyget eller som inte läst denna bruksanvisning använda det.** Elverktyg är farliga i händerna på ovana användare.
- e. **Underhålla elverktyg och tillbehör. Kontrollera att rörliga komponenter fungerar felfritt och inte kärvar, att komponenter inte gått sönder eller skadats och inget annat föreligger som kan påverka elverktygets funktion. Om det är skadat, se till att elverktyget blir reparerat före användning.** Många olyckor orsakas av dåligt underhållna elektriska verktyg.
- f. **Håll skärande verktyg vassa och rena.** Korrekt underhållna kapverktyg med vassa skär är mindre troliga att de fastnar och är lättare att kontrollera.
- g. **Använd elverktyg, tillbehör, bits m.m. enligt dessa anvisningar, samtidigt som arbetsförhållandena och det arbete som ska utföras beaktas.** Användning av elverktyget för andra uppgifter än vad som avsetts kan resultera i farliga situationer.
- h. **Håll handtagen och greppytorna torra, rena och fria från olja och fett. Hala handtag och greppyor förhindrar säker hantering och kontroll av verktyget i oväntade situationer.**
5. **Service**
- a. **Låt en kvalificerad reparatör som bara använder identiska reservdelar utföra service på elverktyget.** Detta säkerställer att elverktygets säkerhet bibehålles.

Ytterligare säkerhetsanvisningar för elverktyg



Varning! Ytterligare säkerhetsanvisningar för slagborrmaskiner med mejselfunktion

- ◆ **Använd hörselskydd vid slagborrning.** Att utsättas för buller kan leda till hörselskador.
- ◆ **Använd de extrahandtag som medföljer verktyget.** Tappad kontroll kan orsaka personskador.
- ◆ **Spänn verktyget ordentligt före användning.** Detta verktyg avger ett högt utgångsmoment och om inte verktyget stängs ordentligt under drift kan förlust av kontroll uppstå vilket kan leda till personskador.
- ◆ **Håll verktyget i de isolerade greppytorna vid arbete där sågtillbehöret riskerar att komma i kontakt med dolda elledningar eller med sin egen nätsladd.**

Kaptilbehör som kommer i kontakt med en strömförande ledning kan göra att exponerade metalldelar hos elverktyget blir strömförande och kan ge användaren en elektrisk stöt.

Säkerhetsinstruktioner när du använder långa borrar

- ◆ **Kör aldrig med högre hastighet än borkronans maximala hastighet.** Vid högre hastigheter kommer biten troligen att böjas om den får rotera fritt utan att komma i kontakt med arbetsstycket, vilket kan resultera i personskada.
- ◆ **Börja alltid borra med låg hastighet och med bitspetsen i kontakt med arbetsstycket.** Vid högre hastigheter kommer bitsen troligen att böjas om den får rotera fritt utan att komma i kontakt med arbetsstycket, vilket kan resultera i personskada.
- ◆ **Applicera tryck endast i direkt linje med biten och applicera inte för högt tryck.** Bits kan böjas och orsaka brott eller förlust av kontroll, vilket kan leda till personskador.
- ◆ **Använd aldrig ett mejselförhållande i roterande läge.** Tillbehöret kläms fast i materialet och bormaskinen vrids.
- ◆ **Använd klämmor eller något annat praktiskt sätt att stödja arbetsstycket mot ett stabilt underlag.** Att hålla arbetsstycket för hand eller mot kroppen är instabilt och kan göra att du förlorar kontrollen.
- ◆ Innan du borrar i väggar, golv eller tak ska du kontrollera var rör eller elledningar finns.
- ◆ Undvik att vidröra spetsen på borret precis efter borring, eftersom den kan bli väldigt varm.
- ◆ Avsedd användning beskrivs i denna bruksanvisning. Om andra tillbehör eller tillsatser används, eller om någon annan åtgärd än de som rekommenderas i den här bruksanvisningen utförs med verktyget kan personer och/eller egendom ta skada.
- ◆ Använd ansikts- eller munskydd när damm eller flygande partiklar kan uppstå.

Säkerhet för andra

- ◆ Denna apparat är inte avsedd att användas av personer (inklusive barn) med reducerad fysisk, sensorisk eller mental förmåga eller med begränsad erfarenhet eller kunskap såvida inte de är under uppsikt eller fått instruktioner om användning av apparaten av en person som är ansvarig för deras säkerhet.
- ◆ Barn ska hållas under uppsikt så att de inte leker med verktyget.

Övriga risker.

Ytterligare risker som inte finns med i de bifogade säkerhetsanvisningarna kan uppstå när verktyget används.

Dessa risker kan uppstå vid felaktig eller långvarig användning, etc.

Även om alla relevanta säkerhetsanvisningar följs och säkerhetsanordningar används kan vissa ytterligare risker inte undvikas. Dessa omfattar:

- ◆ Skador orsakade av att roterande/rörliga delar vidrörs.
- ◆ Skador som uppstår vid byte av delar, blad eller tillbehör.
- ◆ Skador som orsakas av en långvarig användning av ett verktyg. Se till att regelbundet ta vilopauser när du använder ett verktyg under en längre period.
- ◆ Hörselnedsättning.
- ◆ Hälsorisker orsakade av inandning av damm när redskapet används (exempel: arbete med trä, särskilt ek, bok och MDF.)

Vibrationer

De vibrationsvärden som anges i avsnitten Tekniska data och deklarationen om överensstämmelse har uppmätts i enlighet med en standardtestmetod föreskriven i EN 60745 och kan användas för jämförelse med andra verktyg. Det angivna vibrationsvärdet kan även användas för en preliminär bedömning av exponeringen.

Varning! Vibrationsvärdet under faktisk användning av elverktyget kan skilja sig från det uppgivna värdet beroende på hur verktyget används. Vibrationsnivån kan överstiga den uppgivna nivån.

Vid uppskattningar av exponering för vibrationer i syfte att bedöma vilka säkerhetsåtgärder som är nödvändiga enligt 2002/44/EG för att skydda personer som regelbundet använder elverktyg i arbetet ska man utgå från de faktiska omständigheter under vilka elverktyget används och sättet på vilket det används. Bedömningen ska även ta hänsyn till alla moment i arbetscykeln, t.ex. när verktyget är avstängt och när det går på tomgång såväl som när det faktiskt används.

Etiketter på verktyget

Följande varningssymboler finns på verktyget, tillsammans med datumkoden:



Varning! Läs bruksanvisningen före användning för att minska risken för personskador.



Bär hörselskydd när du använder slagborrar. Att utsättas för buller kan leda till hörselskador

Elsäkerhet



Eftersom verktyget är dubbelisolerat behövs ingen jordledare. Kontrollera alltid så att spänningen på nätet motsvarar den spänning som finns angiven på märkplåten.

- ◆ Om nätsladden är skadad så måste den bytas ut av tillverkaren eller en auktoriserad BLACK+DECKER servicecenter för att undvika risker.

Funktioner

1. Variabel hastighetskontroll
2. Lås på knapp
3. Framåt-/bakåtströmbrytare
4. Borrlägesväljare
5. Chuck
6. Sidohandtag
7. Djupmätare

Montering

Varning! Se till att verktyget är avstängt och att det inte är anslutet innan monteringen börjar.

Montera sidohandtaget och djupstoppet (bild A, B)

- ◆ Vrid vredet (6c) moturs tills du kan skjuta sidohandtaget (6) på verktygets framsida såsom visas.
 - ◆ Vrid sidohandtaget till önskad position, se till att spåren (6a) aktiveras i kedjehjulet (6b).
 - ◆ Sätt in djupmätaren (7) i monteringshållet (7a).
 - ◆ Ställ in borrdjupet enligt anvisningarna nedan.
 - ◆ Dra åt sidohandtaget genom att vrida vredet (6c) medurs.
- Obs:** sidohandtaget kan placeras som visas i bild B, beroende på personliga preferenser.

Montera en borrbits (bild C)

Verktyget är utrustat med en snabbchuck så att du enkelt kan byta.

Varning! Innan du monterar eller tar bort tillbehör ska du kontrollera att verktyget är låst så att du inte råkar slå på det av misstag.

- ◆ Lås verktyget genom att sätta framåt-/bakåttreglaget (2) i mittenläget.
- ◆ Sätt bitskafet (8) i chucken (5) (bild C).

Notera! För att ta bort bitsen/hylsan, dra och håll chuckhylsan (5) bort från verktygets främre del (bild C).

Användning

Varning! Låt verktyget arbeta i sin egen takt. Överbelasta inte.

Varning! Innan du borrar i väggar, golv eller tak ska du kontrollera var rör eller elledningar finns.

Välja rotationsriktning (fig. D)

När du borrar och drar åt skruvar använder du framåtgående (medurs) rotation. När du lossar skruvar eller avlägsnar en borrbits som har fastnat använder du bakåtgående (moturs) rörelse.

- ◆ Du väljer framåtgående rörelse genom att trycka framåt-/bakåttknappen (3) till det vänstra läget.
- ◆ Du väljer bakåtgående rörelse genom att trycka framåt-/bakåttknappen till det högra läget.

Varning! Ändra aldrig rörelsens riktning medan motorn är igång.

Välja borrningsläge (bild D)

- ◆ För att välja ett borrsläge, tryck på knappen 4a och vrid väljaren till önskad inställning.
- ◆ För slagborrning i murverk och betong ställ in borrslägesväljaren (4) i läge **T 1**.
- ◆ För borrning i stål, trä och plast eller för skruvdragning ställer du borrslägesväljaren (4) i läge **2**.
- ◆ Vid mejsling ställer du borrslägesväljaren (4) i läge **T** position.

Anga borrhjup (fig. A)

- ◆ Lossa på sidohandtaget (6) genom att vrida vredet (6a) moturs.
- u Ställ djupstoppet (7) i önskat läge. Det maximala borrhjupet är lika med avståndet mellan borrens spets och djupmätarens främre ände.
- ◆ Dra åt sidohandtaget genom att vrida vredet (6c) medurs.

Slå på och stänga av

- ◆ Slå på verktyget genom att trycka in strömbrytaren för variabel hastighet (1). Verktygets hastighet beror på hur långt du trycker in strömbrytaren. En allmän regel är att du använder låga hastigheter för borrar med stor diameter och höga hastigheter för borrar med mindre diameter.
- ◆ Tryck in låsknappen (2) och släpp strömbrytaren för variabel hastighet om du vill ha kontinuerlig drift. Spärknappen fungerar endast vid full hastighet i framåtläge. I det omvända läget är låset på knappen inte tillgängligt.
- ◆ Stäng av verktyget genom att släppa strömbrytaren för variabel hastighet. Under kontinuerlig drift stänger du av verktyget genom att trycka in och släppa strömbrytaren för variabel hastighet en gång till. Håll alltid verktyget som visas i figur G.

Tillbehör

Verktygets prestanda beror på vilka tillbehör du använder. Tillbehör från BLACK+DECKER håller hög kvalitet och är konstruerade för att fungera optimalt med verktyget. Genom att använda dessa tillbehör får du ut mesta möjliga av verktyget.

Underhåll

Din kabelanslutning/sladdlösa BLACK+DECKER-apparat/verktyg är konstruerad för att fungera en lång tid med minsta möjliga underhåll. Kontinuerlig tillfredsställande drift är beroende av ordentlig verktygsvård och regelbunden rengöring.

Varning! Innan underhåll utförs på verktyget/sladdlösa elverktyg:

- ◆ Stäng av apparaten/verktyget och dra ur nätkontakten.
- ◆ Du kan också ta ut batteriet ur redskapet/verktyget om det har ett separat batteri.

- ◆ Om batteriet är inbyggt låter du det laddas ur helt innan avstängningen.
- ◆ Dra ur sladden till laddaren innan du rengör den. Laddaren behöver inget annat underhåll än regelbunden rengöring.
- ◆ Rengör regelbundet redskapets/verktygets/laddarens luftintag med en mjuk borste eller torr trasa.
- ◆ Rengör motorkåpan regelbundet med en fuktig trasa. Använd aldrig något slipande eller lösningsmedelsbaserat rengöringsmedel.
- ◆ Öppna chocken (där sådan finns) med jämna mellanrum och knacka på den för att avlägsna damm som sitter på insidan.

Byte av elkontakten (endast Storbritannien och Irland)

Om en ny elkontakt måste monteras:

- ◆ Gör dig av med den gamla kontakten på lämpligt sätt.
- ◆ Anslut den bruna ledningen till den strömförande anslutningen i den nya kontakten.
- ◆ Anslut den blå ledningen till den icke strömförande anslutningen.

Varning! Ingenting bör kopplas till jordanslutningen. Följ de monteringsanvisningar som följer med kontakter av god kvalitet. Rekommenderad säkring: 5 A.

Skydda miljön

Separat insamling. Produkter och batterier som är markerade med denna symbol får inte kastas i de vanliga hushållssoporna.

Produkter och batterier innehåller material som kan återanvändas eller återvinnas för att minska behovet av råmaterial.

Återvinn elektriska produkter och batterier enligt lokala föreskrifter.

Närmare information finns tillgänglig på www.2helpU.com

Tekniska data

		BEHS01
Inspänning	V _{AC}	230
Ineffekt	W	650
Varvtal obelastad	min ⁻¹	0 - 1600
Maximal borrkapacitet		
Betong	mm	16
Stål	mm	13
Trä	mm	30
Vikt	kg	2.6

Angivna dubbelsiffriga bullerutsläppsnivåer i enlighet med ISO 4871

Uppmätt ljudtrycksnivå, L_{WA} (ref. 1pW), i decibel = 104.5 dB(A)
Osäkerhet, K_{WA} i decibel = 3 dB(A)

Angivna dubbelsiffriga bullerutsläppsnivåer enligt med ISO 4871
Uppmätt A-vägd emission ljudtryckvid arbetsstationen, L_{PA} (ref. 20µPA), i decibel = 93.5 dB(A) Osäkerhet, K_{PA} , i decibel = 3 dB(A)
Värden som bestäms enligt bullertestkoden i EN 60745-1:2009+A11:2010, med hjälp av de grundläggande standarderna EN 60745-2-6:2010
NOTERA- Summan av ett uppmätt bullervärde och dess tillhörande osäkerhet representerar en övre gräns för värdet som sannolikt kommer att uppstå i mätningarna.

Totala vibrationsvärden (vektorsumman av tre riktningar) fastställda enligt EN 60745		
	beskrivning av arbetsuppgift "-slagboring i betong"	beskrivning av arbetsläge "mejsling"
Vibrationsemissionsvärde a_w	14.1 m/s ²	15.2 m/s ²
Osäkerhet K	1.5 m/s ²	1.5 m/s ²
Värden som bestäms enligt EN 60745-1:2009+A11:2010 och EN 60745-2-6:2010		

EG-försäkring om överensstämmelse MASKINDIREKTIVET



BEHS01 Slagbormaskin

Black & Decker försäkrar att dessa produkter, beskrivna under "tekniska data" uppfyller: EN60745-1:2009+A11:2010, EN60745-2-6:2010.

Dessa produkter överensstämmer även med direktivene 2006/42/EG, 2014/30/EU och 2011/65/EU. Mer information får du genom att kontakta Black & Decker på följande adress eller titta i slutet av bruksanvisningen.

Undertecknad är ansvarig för sammanställningen av tekniska data och gör denna försäkring på uppdrag av Black & Decker.

Ed Higgins

VD - Motordrivna konsumentverktyg
Black & Decker Europe, 270 Bath Road, Slough,
Berkshire, SL1 4DX
Storbritannien
07/02/2020

Garanti

Black & Decker är säkra på kvaliteten hos denna produkt och erbjuder kunder 24 månaders garanti från inköpsdatumet. Denna garanti är ett tillägg till dina lagstadgade rättigheter och påverkar inte dessa på något sätt.

Garanti är giltig i de områden som tillhör medlemsstaterna i Europeiska unionen och det europeiska frihandelsområdet. För yrkande under garantin måste yrkandet vara in enlighet med Black & Deckers villkor och du kommer att behöva skicka in bevis på köpet till försäljaren eller en auktoriserad reparatör. Villkoren för Black & Deckers tvååriga garanti och var du hittar din närmaste auktoriserade reparatör kan erhållas på Internet på www.2helpU.com, eller genom att kontakta ditt lokala Black & Decker kontor på adressen som angetts i denna bruksanvisning.

Besök vår webbplats www.blackanddecker.se för att registrera din nya Black & Decker-produkt samt för att få information om nya produkter och specialerbjudanden.

(Översettelse av de opprinnelige instruksjonene)

NORSK

Tiltent bruk

Slagdrillene av typene BLACK+DECKER BEHS01 SDS er designet for boring i tre, metall, plast og murverk og for bruk som skrutekker. Dette verktøyet er bare ment som et forbrukerverktøy.

Sikkerhetsinstruksjoner

Generelle sikkerhetsadvarsler for elektroverktøy



Advarsel! Les alle sikkerhetsanvisninger, instruksjoner, illustrasjoner og spesifikasjoner som følger dette elektriske verktøyet. Hvis advarslene og anvisningene nedenfor ikke overholdes, kan det medføre elektrisk støt, brann og/eller alvorlige personskader.

Ta vare på alle advarsler og instruksjoner for fremtidig bruk. Uttrykket "elektroverktøy" i alle advarslene nedenfor gjelder for strømdrevne elektroverktøy (med ledning) og batteridrevne elektroverktøy (uten ledning).

1. Sikkerhet i arbeidsområdet

- Hold arbeidsområdet rent og godt opplyst.** Rotete eller mørke områder er en invitasjon til ulykker.
- Ikke arbeid med elektroverktøy i eksplosjonsfarlige omgivelser, for eksempel der det finnes seg brennbare væsker, gass eller støv.** Elektrisk verktøy skaper gnister som kan antenne støv eller gasser.
- Hold barn og andre personer unna når du bruker et elektroverktøy.** Distraksjoner kan føre til at du mister kontrollen.

2. Elektrisk sikkerhet

- Støpselet til verktøyet må passe til stikkontakten. Aldri modifier støpselet på noen måte.**

- Ikke bruk adapterstøpsler til jordede elektriske verktøy.** Umodifiserte støpsler og stikkontakter som passer vil redusere risikoen for elektrisk sjokk.
- Unngå kroppskontakt med jordede overflater som rør, radiatorer, komfyrer og kjøleskap.** Det er økt risiko for elektrisk støt dersom kroppen din er jordat.
 - Ikke utsett elektroverktøy for regn eller fuktighet.** Dersom det kommer vann inn i et elektrisk verktøy vil det øke risikoen for elektrisk sjokk.
 - Unngå uforvarlig behandling av ledningen. Aldri bruk ledningen til å bære, trekke eller dra ut støpselet til det elektriske verktøyet. Hold ledningen borte fra varme, olje, skarpe kanter eller bevegelige deler.** Skadede eller innviklede ledninger øker risikoen for elektrisk sjokk.
 - Når du bruker et elektroverktøy utendørs, må du bruke en skjøteledning som er egnet til utendørs bruk.** Bruk av en skjøteledning beregnet for utendørs bruk reduserer risikoen for elektrisk støt.
 - Hvis du ikke kan unngå å bruke elektroverktøy på et fuktig sted, må du bruke en strømforsyning som er beskyttet med jordfeilbryter (RCD).** Bruk av jordfeilbryter (RCD) reduserer risikoen for elektrisk støt.
- Personlig sikkerhet**
 - Vær oppmerksom, pass på hva du gjør, og vis fornutt når du arbeider med et elektroverktøy. Ikke bruk et elektrisk verktøy dersom du er trøtt eller er påvirket av medikamenter, narkotika eller alkohol.** Ett øyeblikks uoppmerksomhet under bruk av elektriske verktøy kan føre til alvorlig personskade.
 - Bruk personlig verneutstyr. Bruk alltid vernebriller.** Verneutstyr slik som støvmaske, skliskre vernesko, hjelm, eller hørselsvern brukt under passende forhold vil redusere personskader.
 - Forhindre utilsiktet start. Kontroller at bryteren står i posisjon «av» før du kobler til strømkilden og/eller batteripakken, og før du tar opp eller bærer verktøyet.** Å bære elektriske verktøy med fingeren på bryteren eller å sette inn støpselet mens elektriske verktøy har bryteren på øker faren for ulykker.
 - Fjern eventuelt innstillingsverktøy eller skruverktøy før du slår på elektroverktøyet.** Et skruverktøy eller en nøkkel som fortsatt er festet til en roterende del av elektroverktøyet, kan føre til personskade.
 - Ikke strekk deg for langt. Ha godt fotfeste og stå støtt hele tiden.** Dette fører til at du har bedre kontroll over det elektriske verktøyet ved uventede situasjoner.
 - Bruk egnede klær. Ikke ha på deg løstsittende klær eller smykker. Hold hår, antrekk og hanser borte fra bevegelige deler.** Løstsittende klær, smykker og langt hår kan bli fanget opp av bevegelige deler.
 - Hvis det kan monteres støvavsug- og oppsamlingsinnretninger, må du forvisse deg om at disse er tilkoblet og brukes på riktig måte.** Bruk av støvoppsamlere kan redusere støvrelaterte farer.
 - Ikke la erfaring med hyppig bruk av verktøy la deg bli likegyldig og ignorere verktøyet sikkerhetsregler.** En uforsiktig handling kan føre til alvorlig personskade på brøkdelen av et sekund.
 - Bruk og vedlikehold av elektriske verktøy**
 - Ikke bruk makt på elektroverktøyet. Bruk det elektriske verktøyet som situasjonen krever.** Det riktige elektriske verktøyet vil gjøre jobben bedre og tryggere ved den hastigheten det ble konstruert for.
 - Ikke bruk elektroverktøyet hvis du ikke kan slå det på og av med bryteren.** Ethvert elektrisk verktøy som ikke kan kontrolleres med bryteren er farlig og må repareres.
 - Trekk støpselet ut av stikkkontakten og/eller koble fra batteripakken på elektroverktøyet før du utfører innstillinger, bytter tilbehør eller legger elektroverktøyet bort for lagring.** Slike preventive sikkerhetsforanstaltninger reduserer risikoen for å starte det elektriske verktøyet ved et uhell.
 - Elektroverktøy som ikke er i bruk, må oppbevares utilgjengelig for barn. Ikke la verktøyet bli brukt av personer som ikke er fortrolige med det, eller som ikke kjenner disse instruksjonene.** Elektriske verktøy er farlige i hendene på utrenede brukere.
 - Sørg for vedlikehold av elektroverktøy og tilbehør. Undersøk om bevegelige deler er feiljustert eller blokkert, om deler er skadet, og om det er andre forhold som kan påvirke elektroverktøyet funksjon.** Dersom det er skadet, få verktøyet reparert før neste bruk. Mange ulykker forårsakes av dårlig vedlikeholdte verktøy.
 - Hold skjæreverktøy skarpe og rene.** Godt vedlikeholdte skjæreverktøy med skarpe skjærekanter setter seg mindre sannsynlig fast og er lettere å kontrollere.
 - Bruk elektroverktøy, tilbehør, bor osv. i henhold til disse instruksjonene. Ta hensyn til arbeidsforholdene og arbeidet som skal utføres.** Bruk av det elektriske verktøyet for oppgaver som er forskjellige fra de som er tiltenkt kan føre til en farlig situasjon.
 - Hold håndtakene og gripeflatene tørre, rene og frie for olje og fett. Glatte håndtak og gripeflater forhindrer trygg håndtering og kontroll av verktøyet i uventede situasjoner.**
 - Service**
 - Elektroverktøyet skal repareres av kvalifisert personell og bare med originale reservedeler.** Dette vil sikre at verktøyet sikkerhet blir ivaretatt.

Ytterligere sikkerhetsadvarsler for elektroverktøy



Advarsel! Ytterligere sikkerhetsadvarsler for roterende slagverktøy og slagverktøy for meisling

- ◆ **Bruk hørselsvern ved slagboring.** Å bli utsatt for støv kan forårsake hørselstap.
- ◆ **Bruk hjelpehåndtak som følger ned verktøyet.** Å miste kontroll kan forårsake personskade.
- ◆ **Hold verktøyet stødig før bruk.** Dette verktøyet produserer et høyt kraftmoment, og hvis du ikke fester det ordentlig, kan du miste kontroll over verktøyet og under bruk, som kan føre til personskade.
- ◆ **Hold elektroverktøyet bare i de isolerte grepene når du utfører et arbeid hvor skjæretilbehøret kan komme i kontakt med skjulte ledninger eller sin egen kabel.** Kapping av en strømførende ledning kan føre til at eksponerte metalldele på elektroverktøyet blir strømførende, og kan gi operatøren støt.

Sikkerhetsinstruksjoner ved bruk av lange bor

- ◆ **Bruk aldri ved høyere hastigheter enn maks hastighet for boret.** Ved høyere hastigheter er det en sjanse for at boret bøyer seg hvis den roterer fritt uten kontakt med arbeidsstykket.
- ◆ **Start alltid å bore ved lav hastighet, og med enden av boret i kontakt med arbeidsstykket.** Ved høyere hastigheter er det en sjanse for at boret bøyer seg hvis den roterer fritt uten kontakt med arbeidsstykket.
- ◆ **Påfør kun trykk i en rett linje med boret, og trykk ikke for hardt.** Boret kan bli bøyd eller ødelagt, eller det kan føre til tap av kontroll eller personskade.
- ◆ **Bruk aldri et meislelverktøy i rotasjonsmodus.** Tilbehøret vil sette seg fast i materialet og dreie drillen.
- ◆ **Bruk klemmer eller en annen praktisk måte å feste og støtte arbeidsstykket på en stabil plattform.** Å holde arbeidsstykket i hendene eller mot kroppen er ustabil og kan føre til at du mister kontroll.
- ◆ **Før du borer i vegger, gulv eller tak, må du kontrollere plasseringen av kabler og rør.**
- ◆ **Unngå å komme i berøring med spissen på et bor rett etter boring, da den kan være varm.**
- ◆ **Bruksområdet er beskrevet i denne bruksanvisningen.** Hvis du bruker annet tilbehør, kobler til annet utstyr eller bruker dette produktet til andre oppgaver enn det som er anbefalt i denne håndboken, kan det medføre fare for personskader og/eller skade på eiendom.
- ◆ **Bruk ansiktsmaske eller støvmaske når aktivitetene kan føre til støv eller flygende partikler.**

Andre personers sikkerhet

- ◆ Denne maskinen er ikke ment for bruk av personer (inkludert barn) med redusert fysiske, sensoriske eller mentale evner, eller mangel på erfaring og kunnskap, med mindre de får tilsyn eller har blitt opplært i bruk av maskinen av en person ansvarlig for deres sikkerhet.
- ◆ Barn må holdes under oppsyn, sørg for at de ikke leker med apparatet.

Andre risikoer.

Når verktøyet brukes, kan det oppstå ytterligere risikoer som kanskje ikke er beskrevet i de medfølgende sikkerhetsadvarslene. Disse risikoene kan bli forårsaket av feil bruk, langvarig bruk osv.

Selv om de relevante sikkerhetsbestemmelsene blir fulgt, og sikkerhetstiltakene blir gjennomført, kan visse gjenværende risikoer ikke unngås. Disse inkluderer:

- ◆ **Personskader som forårsakes av berøring av roterende/bevegelige deler.**
- ◆ **Personskader som oppstår ved skifte av deler, blader eller tilbehør.**
- ◆ **Personskader som skyldes for lang tids bruk av verktøyet.** Når du bruker et verktøy i lange perioder, må du sørge for å ta regelmessige pauser.
- ◆ **Hørselskader.**
- ◆ **Helsefarer forårsaket av innånding av støv som utvikler seg når du bruker verktøyet (eksempel: arbeid med tre, spesielt eik, bok og MDF.)**

Vibrasjon

Vibrasjonsemissionsverdien som er angitt under tekniske data og samsvarserklæring, er blitt målt i henhold til en standard testmetode som er angitt i EN 60745, og kan brukes til å sammenligne et verktøy med et annet. Den oppgitte vibrasjonsemissionsverdien kan også brukes til en foreløpig vurdering av eksponering.

Advarsel! Vibrasjonsemissionsverdien under faktisk bruk av elektroverktøyet kan avvike fra den oppgitte verdien avhengig av måten verktøyet blir brukt på. Vibrasjonsnivået kan øke over nivået som er oppgitt.

Når det vurderes vibrasjonseksponering for å avgjøre hvilke sikkerhetstiltak som kreves ifølge 2002/44/EF, for å beskytte personer som bruker elektroverktøy regelmessig til arbeidsformål, skal det, når vibrasjonseksponeringen anslås, tas hensyn til de faktiske bruksforholdene og måten verktøyet blir brukt på. Dette inkluderer å ta hensyn til alle deler av brukssyklusen, for eksempel når verktøyet er avslått, når det går på tomgang og når utløseren er trykket inn.

Etiketter på verktøyet

Følgende symboler vises på verktøyet sammen med datokoden:



Advarsel! Brukeren må lese håndboken for å redusere risikoen for personskade.



Bruk hørselvern når du bruker slagverktøy. Å bli utsatt for støy kan forårsake hørselstap

Elektrisk sikkerhet



Dette verktøyet er dobbeltisolert. Jording er derfor ikke nødvendig. Kontroller alltid at strømforsyningen samsvarer med spenningen på merkeskiltet.

- ◆ Hvis strømledningen blir skadet, må den byttes av produsenten eller et autorisert BLACK+DECKER-servicесenter for å unngå fare.

Funksjoner

1. Bryter for variabel hastighet
2. Låseknapp
3. Bryter for fremover/bakover
4. Boremodusvelger
5. Chuck
6. Sidehåndtak
7. Dybdemåler

Montering

Advarsel! Før monteringen må du passe på at verktøyet er slått av, og at støpselet er trukket ut.

Montering av sidehåndtak og dybdestopp (figur A, B)

- ◆ Vri knotten (6c) mot klokken til du kan skyve sidehåndtaket (6) inn på forsiden av verktøyet som vist.
- ◆ Vri sidehåndtaket til ønsket stilling, pass på at et hakk (6a) festes i sporet (6b).
- ◆ Sett dybdemåleren (7) (ikke inkludert) inn i monteringshullet (7a).
- ◆ Still inn boreddybden som beskrevet nedenfor.
- ◆ Stram sidehåndtaket ved å vri knotten (6c) med klokken.

Merk: Sidehåndtaket kan posisjoneres som vist i figur B avhengig av personlig ønske.

Sette inn borebit (figur C)

Dette verktøyet er utstyrt med en hurtigutløsningschuck, så bits enkelt kan byttes.

Advarsel! Pass på at verktøyet er låst for å hindre utilsiktet aktivering av bryteren før du setter på eller tar av tilbehør.

- ◆ Lås verktøyet ved å sette glidebryteren for fremover/bakover (2) i midtstillingen.
- ◆ Sett bitskafet (8) inn i chucken (5) (figur C).

Merk! Trekk i og hold chuckkragen (5) bort fra fronten av verktøyet (figur C).

Bruk

Advarsel! La verktøyet arbeide i sin egen hastighet. Må ikke overbelastes.

Advarsel! Før du borer i vegger, gulv eller tak, kontrollerer du plasseringen av kabler og rør.

Velge rotasjonsretning (figur D)

For boring og straming av skruer brukes rotasjon fremover (med klokken). For løsning av skruer eller fjerning av bor som sitter fast, brukes rotasjon bakover (mot klokken).

- ◆ Når du skal velge rotasjon fremover, skyver du kontrollbryteren for fremover/bakover (3) til venstre.
- ◆ Når du skal velge rotasjon bakover, skyver du kontrollknappen for fremover/bakover til høyre.

Advarsel! Du må aldri skifte rotasjonsretning mens motoren går.

Velge brukboremodus (figur D)

- ◆ For å velge en boremodus, trykk ppå knapp 4a og drei velgeren til ønsket innstilling.
- ◆ Hvis du skal bore med slag i mur og betong, setter du boremodusvelgeren (4) til **T 1**-posisjonen.
- ◆ For boring i stål, tre og plast eller skrutrekking sett modusvelgeren (4) til **1**-posisjonen.
- ◆ For meislemodus, settmodusvelgeren (4) til **T**-posisjon.

Stille inn boreddybden (figur A)

- ◆ Løsne sidehåndtaket (6) ved å vri knotten (6a) mot klokken.
- ◆ Still dybdestoppen (7) til ønsket stilling. Maksimal boreddybde tilsvarer avstanden mellom spissen på boret og forparten av dybdemåleren.
- ◆ Stram sidehåndtaket ved å vri knotten (6c) med klokken.

Slå på og av

- ◆ Når du skal slå verktøyet på, trykker du på bryteren for variabel hastighet (1). Hastigheten til verktøyet avhenger av hvor langt inn du trykker bryteren. Bruk lav hastighet for bor med stor diameter og høy hastighet for bor med mindre diameter.
- ◆ Hvis du ønsker å holde verktøyet i kontinuerlig drift, trykker du inn låseknappen (2) og slipper av/på-knappen for variable hastighet. Låseknappen fungerer kun ved maksimal hastighet i retning forover. Ved revers modus fungerer ikke låseknappen.
- ◆ Når du skal slå av verktøyet, slipper du bryteren for variabel hastighet. Hvis du vil slå av verktøyet mens det er i kontinuerlig drift, trykker du inn av/på-knappen for variabel hastighet én gang til og slipper den. Hold verktøyet som vist i figur G.

Tilbehør

Verktøyet ytelse avhenger av hva slags tilbehør som brukes. Tilbehør fra BLACK+DECKER er produsert etter høye kvalitetsstandarder og er konstruert for å bedre verktøyet ytelse. Hvis du bruker dette tilbehøret, får du mest mulig ut av verktøyet ditt.

Vedlikehold

BLACK+DECKER maskinen/-verktøyet med eller uten ledning er laget for å brukes over lang tid med et minimum av vedlikehold. For at den skal fungere tilfredsstillende over tid, er det viktig å sørge for riktig stell av verktøyet og regelmessig renhold.

Advarsel! Før du utfører vedlikehold på kabede/ytådluse elektroverktøy:

- ◆ Slå av apparatet/verktøyet og trekk ut støpselet.
- ◆ Eller slå av apparatet/verktøyet og fjern batteriet fra dette hvis apparatet/verktøyet har separat batteripakke.
- ◆ Eller la batteriet gå helt tomt hvis det er innebygd, og slå deretter av.
- ◆ Trekk ut laderen fra stikkkontakten før du rengjør den. Laderen krever ikke annet vedlikehold enn regelmessig rengjøring.
- ◆ Rengjør ventilasjonsåpningene i apparatet/verktøyet/laderen jevnlig med en myk børste eller tørr klut.
- ◆ Rengjør motorhuset regelmessig med en fuktig klut. Ikke bruk slipende eller løsemiddelbaserte rengjøringsmidler.
- ◆ Åpne chucken regelmessig, og bank på den for å fjerne eventuelt støv fra innsiden (hvis det er aktuelt).

Skifte støpsel (bare Storbritannia og Irland)

Dersom du trenger å sette på et nytt støpsel:

- ◆ Kast det gamle støpselet på en trygg måte.
- ◆ Koble den brune ledningen til den strømførende terminalen i det nye støpselet.
- ◆ Koble den blå ledningen til den nøytrale terminalen.

Advarsel! Jordingslederen skal ikke kobles til. Følg monteringsanvisningen som medfølger støpsler av god kvalitet. Anbefalt sikring: 5 A.

Beskytt miljøet

Sorter avfall. Produkter og batterier merket med dette symbolet skal ikke kastes i vanlig husholdningsavfall. Produkter og batterier inneholder materialer som kan gjenbrukes eller gjenvinnes for å redusere behovet for nye råmaterialer.

Vennligst lever elektrisk utstyr og batterier til gjenbruk i henhold til lokale retningslinjer.

Mer informasjon finner du på www.2helpU.com

Tekniske data

		BEHS01
Inngangsspenning	V_{AC}	230
Inngangseffekt	W	650
Tomgangshastighet	min ⁻¹	0 - 1600
Maks borekapasitet		
Betong	mm	16
Stål	mm	13
Tre	mm	30
Vekt	kg	2,6

Deklartert to-talls støytutslippsverdier i samsvar med ISO 4871	
Målt A-vektet lydffeftkniv, L_{WA} (ref. 1pW), i desibel = 104,5 dB(A) Usikkerhet, K_{WA} i desibel = 3 dB(A)	
Målt A-vektet utslipp lydtrykknivå på arbeidsstedet, L_{PA} (ref. 20µPA), i desibel = 93,5 dB(A) Usikkerhet, K_{PA} i desibel = 3 dB(A)	
Verdiene er målt i samsvar med støymålestandard i EN 60745-1:2009+A11:2010, ved bruk av basis standard EN 60745-2-6:2010	
MERK - Sum av målt støy og tilhørende usikkerhet representerer en øvre grense for verdier som sannsynligvis kan oppstå under målinger	

Totale vibrasjonsverdier (triax vector sum) bestemt iht. EN 60745		
	arbeidsmodus beskrivelse "Salgboring i betong"	arbeidsmodus beskrivelse "Meisling"
Vibrasjonsutslippsverdi $a_{h,r}$	14,1 m/s ²	15,2 m/s ²
Usikkerhet K	1,5 m/s ²	1,5 m/s ²
Verdier i henhold til EN 60745-1:2009+A11:2010 og EN 60745-2-6:2010		

EF-samsvarerklæring MASKINDIREKTIVET



BEHS01 Slagdrill

Black & Decker erklærer at disse produktene, som er beskrevet under "Tekniske data", er i samsvar med: EN60745-1:2009+A11:2010, EN60745-2-6:2010.

Disse produktene er også i samsvar med direktiv 2006/42/EU, 2014/30/EU og 2011/65/EU. Hvis du ønsker mer informasjon, kontakt Black & Decker på adressen nedenfor, eller se på baksiden av bruksanvisningen.

Undertegnede er ansvarlig for utarbeidelsen av den tekniske dokumentasjonen og gir denne erklæringen på vegne av Black & Decker.



Ed Higgins
Director – Consumer Power Tools
Black & Decker Europe, 270 Bath Road, Slough,
Berkshire, SL1 4DX
Storbritannia
07/02/2020

Garanti

Black & Decker er trygg på kvaliteten av produktene sine og tilbyr en 24 måneders garanti fra kjøpsdato. Denne garantierklæringen kommer i tillegg til dine lovbestemte rettigheter og er ikke i konflikt med disse. Garantien er gyldig innen områdene tilhørende medlemstandene i den Europeiske Union (EU) og det Europeiske Frihandelsområdet (EFTA). For å ta garantien i bruk må kravet være i samsvar med kjøpsbetingelsene fra Black&Decker og du må vise kjøpskvittering til forhandleren eller til et autorisert serviceverksted. Betingelsene for Black & Deckers 2 års garanti og adressen til din nærmeste autoriserte serviceverksted kan du finne på internett under www.2helpU.com, eller ved å kontakte ditt lokale Black & Decker kontor, adressen er angitt i denne bruksanvisningen. Besøk våre nettsider på www.blackanddecker.no for å registrere ditt nye Black & Decker-produkt og for å få informasjon om nye produkter og spesialtilbud.

Tilsigtet brug

Dit BLACK+DECKER BEHS01 SDS slagbor er designet til boring i træ, metal, plastik og murværk og som skruetrækker. Værktøjet er kun beregnet til privat brug.

Sikkerhedsinstruktioner

Generelle sikkerhedsadvarsler vedrørende elværktøj



Advarsel! Læs alle sikkerhedsadvarsler, instruktioner, illustrationer og specifikationer, der følger med dette elværktøj. Hvis efterfølgende advarsler og instruktioner ikke følges, er der risiko for elektrisk stød, brand og alvorlige kvæstelser.

Gem alle advarsler og instruktioner til fremtidig reference. Begrebet "elværktøj", der benyttes i nedenstående advarsler, henviser til netdrevet elværktøj (med netledning) eller batteridrevet elværktøj (uden netledning).

1. Sikkerhed i arbejdsområdet

- Hold arbejdsområdet rent og ordentligt oplyst.** Rodede eller mørke områder giver anledning til ulykker.
- Brug ikke elværktøj i eksplosive omgivelser, f.eks. hvor der er brændbare væsker, gasser eller støv.** Elværktøj danner gnister, der kan antænde støv eller dampe.
- Hold børn og andre personer i nærheden på afstand, når der arbejdes med elværktøj.** Distractioner kan medføre, at du mister kontrollen.

2. Elektricitet og sikkerhed

- Elværktøjets stik skal passe til kontakten. Stikket må aldrig modificeres på nogen måde. Undlad at bruge adapterstik sammen med (jordforbundet) elektrisk værktøj.**
Umificerede stik og dertil passende stikkontakter reducerer risikoen for elektrisk stød.
- Undgå kropskontakt med jordfødne overflader som f.eks. rør, radiatorer, komfurer og køleskabe.** Der er øget risiko for elektrisk stød, hvis din krop er jordforbundet.
- Udsæt ikke elværktøj for regn, og brug det ikke, hvor omgivelserne er våde.** Hvis der trænger vand ind i et elektrisk værktøj, øges risikoen for elektrisk stød.
- Pas på, at ledningen ikke beskadiges. Brug aldrig ledningen til at bære, trække værktøjet eller trække det ud af stikkontakten. Hold ledningen borte fra varme, olie, skarpe kanter og bevægelige dele.** Beskadigede eller sammenfiltrede ledninger øger risikoen for elektrisk stød.
- Hvis elværktøj benyttes i det fri, skal der benyttes en forlængerledning, som er godkendt til udendørs brug.** Brug af en ledning, der er egnet til udendørs brug, reducerer risikoen for elektrisk stød.
- Brug en strømkilde med fejlstrømsrelæ, hvis det er nødvendigt at anvende elværktøj på fugtige steder.** Ved at benytte en fejlstrømsafbryder reduceres risikoen for elektrisk stød.

3. Personikkerhed

- Vær opmærksom, hold øje med, hvad du laver og brug elværktøjet fornuftigt.** Betjen ikke værktøjet, hvis du er træt, påvirket af narkotika, alkohol eller medicin. Et øjeblikvis uopmærksomhed under anvendelse af et elektrisk værktøj kan forårsage alvorlige kvæstelser.
- Brug personligt beskyttelsesudstyr. Bær altid beskyttelsesbriller.** Det er muligt at reducere risikoen for kvæstelser ved alt efter omstændighederne at anvende det passende sikkerhedsudstyr såsom støvmaske, skridsikre sikkerhedssko, sikkerhedshjelm eller høreværn.
- Træf forholdsregler, så utilsigtet start ikke er mulig.**

- Kontrollér, at afbryderkontakten står på slukket, inden værktøjet tilsluttes strømkilden og/eller batteriet, samles op eller bæres.** Når elektrisk værktøj bæres med fingeren på kontakten eller tilsluttes, når kontakten er tændt, giver det anledning til ulykker.
- d. **Fjern indstillingsnøgle eller skrue nøgle, inden elværktøjet startes.** En skrue nøgle eller anden nøgle, der bliver givende på en roterende del af elektrisk værktøj, kan give anledning til personskade.
- e. **Stræk dig ikke for langt. Hold hele tiden en god fodstilling og balance.** Dette udgør at du har bedre kontrol over det elektriske værktøj, når uventede situationer opstår.
- f. **Brug egnet arbejdstøj. Bær ikke løst tøj eller smykker. Hold dit hår, tøj og handsker væk fra bevægelige dele.** Løstsiddende tøj, smykker eller langt hår kan blive fanget i bevægelige dele.
- g. **Hvis der kan monteres støvsugsugnings- og opsamlingsudstyr, skal dette tilsluttes og benyttes korrekt.** Anvendelse af støvsugsugningsudstyr kan begrænse faren forårsaget af støv.
- h. **Lad ikke kendskab fra hyppig brug af værktøjer gøre dig uforsigtig og få dig til at ignorere principperne for værktøjsikkerhed.** En uforsigtig handling kan forårsage alvorlig personskade på en brøkdal af et sekund.
4. **Brug og vedligeholdelse af elværktøj**
- a. **Overbelast ikke elværktøjet. Brug det elværktøj, der er bedst egnet til det arbejde, der skal udføres.** Det korrekte elværktøj klarer opgaven bedre og mere sikkert med den effekt, som det er konstrueret til.
- b. **Brug ikke elværktøjet, hvis afbryderkontakten er defekt.** Alt elektrisk værktøj, der ikke kan kontrolleres med kontakten, er farligt og skal repareres.
- c. **Træk stikket ud af stikkontakten og/eller batteriet inden indstilling, tilbehørsudskiftning eller opbevaring af elværktøjet.** Sådanne forebyggende sikkerhedsforanstaltninger mindsker risikoen for, at værktøjet startes utilsigtet.
- d. **Opbevar ubenyttet elværktøj uden for børns rækkevidde. Lad aldrig personer, der ikke er fortrolige med elværktøjet, eller som ikke har læst denne vejledning, benytte maskinen.** El-værktøj er farligt i hænderne på personer, som ikke er instrueret i brugen deraf.
- e. **Elværktøj og tilbehør skal vedligeholdes. Kontroller, om bevægelige dele er skæve og ikke sidder fast, og om delene er brækket eller beskadiget, så elværktøjets funktion påvirkes. Hvis det elektriske værktøj er beskadiget, skal det repareres før brug.** Mange ulykker er forårsaget af dårligt vedligeholdt værktøj.
- f. **Hold skæreværktøj skarpt og rent.** Ordentligt vedligeholdt skæreværktøj med skarpe skærekanter har mindre tilbøjelighed til at binde og er lettere at styre.
- g. **Brug elværktøjet, tilbehøret, værktøjsindsatser osv. i overensstemmelse med disse instruktioner under hensyntagen til arbejdsforholdene og arbejdet, der skal udføres med værktøjet.** Brug af elektrisk værktøj til andre opgaver end dem, det er beregnet til, kan resultere i en farlig situation.
- h. **Hold håndtagene og håndtagsskiverne tørre, rene og fri for olie og fedt. Glatte håndtag og gribeflader giver ikke en sikker håndtering og kontrol af værktøjet i uventede situationer.**
5. **Service**
- a. **Lad kun fagkyndige personer reparere elværktøjet og benyt kun originale reservedele.** Derved sikres det, at værktøjets driftssikkerhed opretholdes.

Yderligere sikkerhedsadvarsler for elværktøj



Advarsel! Yderligere sikkerhedsadvarsler for roterende og mejselhammere

- ◆ **Bær høreværn, når du arbejder med slagboring.** Udsættelse for støj kan medføre høretab.
- ◆ **Brug de ekstra håndtag, der følger med værktøjet.** Tab af kontrol kan medføre personskade.
- ◆ **Afstiv værktøjet grundigt før brug.** Dette værktøj producerer et højt udgangsmoment, og uden korrekt afstivning af værktøjet under drift, kan du miste kontrollen, hvilket kan resultere i personskade.
- ◆ **Hold i elværktøjets isolerede gribeflader, hvis der er risiko for, at skæretilbehøret kommer i kontakt med skjulte ledninger eller værktøjets egen ledning.** Hvis skæretilbehøret rammer en strømførende ledning, bliver elværktøjets blotlagte dele strømførende, så brugeren får stød.

Sikkerhedsinstruktioner for at anvende lange borekroner

- ◆ **Anvend aldrig hurtigere hastighed end det maksimale angivet på borekronen.** Ved højere hastigheder vil boret sandsynligvis bøjes, hvis det får lov til at rotere frit uden at komme i berøring med emnet, hvilket kan resultere i personskade.
- ◆ **Start altid med at bore ved lav hastighed og med spidsen af boret i kontakt med overfladen.** Ved højere hastigheder vil boret sandsynligvis bøjes, hvis det får lov til at rotere frit uden at komme i berøring med emnet, hvilket kan resultere i personskade.

- ◆ **Begynd altid med at bore i lav hastighed og med borespiden i kontakt med emnet.** Bor kan bøje og forårsage brud eller tab af kontrol, hvilket kan resultere i personskade.
- ◆ **Brug aldrig mejselfiltbehør i roterende tilstand.** Tilbehøret sætter sig fast i materialet og roterer boret.
- ◆ **Brug klemmer eller en anden praktisk måde på at sikre og understøtte arbejdsområdet til et stabilt underlag.** Hvis du holder fast i arbejdsområdet med din hånd eller krop, vil det være ustabil, og det kan medføre, at du mister kontrollen over det.
- ◆ Kontroller placeringen af ledninger og rør, inden der børes i vægge, gulve eller lofter.
- ◆ Rør ikke ved spidsen af et bor lige efter boring, da det kan være varmt.
- ◆ Den tilsigtede anvendelse er beskrevet i denne betjeningsvejledning. Brug af ekstraudstyr eller tilbehør eller udførelse af andre opgaver med dette værktøj end de, der anbefales i denne vejledning, kan medføre risiko for personskade og/eller materiel skade.
- ◆ Brug en ansigts- eller støvmaske, hvor arbejdet forårsager støv eller flyvende partikler.

Andres sikkerhed

- ◆ Dette udstyr er ikke beregnet til anvendelse af personer (inklusive børn) med nedsatte fysiske, sensoriske eller mentale handicaps eller med mangel på erfaringer eller viden, medmindre de er under overvågning eller har fået instruktioner i brugen af udstyret af en person, der er ansvarlig for deres sikkerhed.
- ◆ Børn skal holdes under opsyn, så det sikres, at de ikke leger med værktøjet.

Resterende risici.

Der kan opstå yderligere, tilbageværende risici under brugen af apparatet, som muligvis ikke behandles i de vedlagte sikkerhedsadvarsler. Disse risici kan opstå pga. forkert anvendelse, langvarig brug etc.

Selv ved overholdelse af relevante sikkerhedsforskrifter og anvendelse af sikkerhedsudstyr kan visse resterende risici ikke undgås. Disse omfatter:

- ◆ Kvæstelser forårsaget af roterende/bevægelige dele.
- ◆ Tilskadekomst forårsaget af udskiftning af dele, klinger eller tilbehør.
- ◆ Tilskadekomst forårsaget af langvarig brug af et værktøj. Husk at holde pause jævnligt ved brug af et apparat i længere tid.
- ◆ Hørenedsættelse.
- ◆ Sundhedsrisici forårsaget af indånding af støv, der genereres ved brug af værktøjet (eksempel: arbejde med træ, især, eg, bøg og MDF.)

Vibration

De angivne værdier for udsendelse af vibration opført under de tekniske data og overensstemmelseserklæringen er målt i henhold til standardtestmetoden anført i EN 60745 og kan bruges til at sammenligne ét værktøj med et andet. Den angivne vibrationsmissionsværdi kan også bruges i forbindelse med en foreløbig vurdering af eksponeringen.

Advarsel! Værdien for vibrationsmission ved faktisk brug af elværktøjet kan afvige fra den angivne værdi afhængig af måden, værktøjet anvendes på. Vibrationsniveauet kan overstige det angivne niveau.

I vurderingen af eksponeringen for vibration med henblik på fastsættelse af sikkerhedsforanstaltninger som krævet i 2002/44/EF til beskyttelse af personer, der jævnligt anvender elværktøj i deres arbejde, skal der tages hensyn til de faktiske betingelser under brugen, og måden værktøjet bruges på, herunder alle arbejdsrytters afsnit, f.eks. perioder, hvor værktøjet er slukket, og hvor det kører i tomgang, tillige med startperioderne.

Mærkatet på værktøjet

Værktøjet er forsynet med følgende piktogrammer sammen med en datokode:



Advarsel! Brugeren skal læse brugervejledningen for at reducere risikoen for kvæstelser.



Bær høreværn ved slagboring. Udsættelse for støj kan medføre høretab

Elektricitet og sikkerhed



Denne maskine er dobbelt isoleret. Derfor er jordledning ikke nødvendig. Kontroller altid, at strømforsyningen svarer til spændingen på mærkepladen.

- ◆ Hvis netledningen beskadiges, skal den udskiftes af producenten eller et autoriseret BLACK+DECKER-værksted, så farlige situationer undgås.

Funktioner

1. Variabel hastighedskontakt
2. Låseknop
3. Kontakt til skift af retning
4. Knap til valg af borefunktion
5. Patron
6. Sidehåndtag
7. Dybdemåler

Samling

Advarsel! Kontroller før samling, at værktøjet er slukket, og at stikket er taget ud af stikkontakten.

Montering af sidehåndtaget og dybdesmåleren (fig. A, B)

- ◆ Drej knappen (6c) mod uret, til du kan trække sidehåndtaget (6) frem til værktøjets forende som vist.
- ◆ Drej sidehåndtaget til den ønskede stilling, mens du sørger for, at fordybningerne (6a) kobles med kædehjulet (6b).
- ◆ Sæt dybdemåleren (7) i monteringshullet (7a).
- ◆ Indstil boreddybden som beskrevet herunder.
- ◆ Spænd sidehåndtaget ved at dreje knappen (6c) med uret.

Bemærk: Sidehåndtaget kan placeres som vist i figur B, afhængigt af personlig præference.

Montering af et bor (fig. C)

Dette værktøj har en patron med hurtigudløser, så det er lettere at udskifte bits.

Advarsel! Sørg for at værktøjet er låst, så utilsigtet aktivering af startknappen inden montering eller afmontering af tilbehør forhindres.

- ◆ Lås værktøjet ved at sætte skyderen til skift af retning (2) i midterstilling.
- ◆ Sæt borets aksel (8) i patronen (5) (fig. C).

Bemærk! For at fjerne boret/holderen, træk og hold patronkraven (5) i retning væk fra værktøjets forside (fig. C).

Anvendelse

Advarsel! Lad værktøjet arbejde i dets eget tempo. Det må ikke overbelastes.

Advarsel! Kontroller placeringen af ledninger og rør, inden der bores i vægge, gulve eller lofter.

Valg af omløbsretning (fig. D)

Brug forlæns omløb (med uret) ved boring og tilspænding af skruer. Brug baglæns omløb (mod uret) for at løse skruer eller fjerne et fastklemt bor.

- ◆ Tryk knappen til skift af retning (3) mod venstre for at vælge forlæns omløb.
- ◆ Tryk knappen på retningsomskifteren mod højre for at vælge baglæns omløb.

Advarsel! Skift aldrig omløbsretning, mens motoren kører.

Valg af borefunktion (fig. D)

- ◆ Vælg en borefunktion ved at trykke på knap 4a og dreje vægleren til den påkrævede indstilling.
- ◆ Ved slagboring i murværk og beton stilles knappen til valg af borefunktion (4) i **T 1** positionen.
- ◆ Ved boring i stål, træ og plastik eller til skruerboring skal knappen til valg af borefunktion (4) indstilles til **1** positionen.
- ◆ For mejselfunktion skal knappen til valg af borefunktion (4) indstilles til position **T**.

Indstilling af boreddybde (fig. A)

- ◆ Løs sidehåndtaget (6) ved at dreje knappen (6a) mod uret.
- u Indstil dybdemåleren (7) til den ønskede position. Den maksimale boreddybde er afstanden mellem borets spids og den forreste del af dybdemåleren.
- ◆ Spænd sidehåndtaget ved at dreje knappen (6c) med uret.

Sådan tændes og slukkes værktøjet

- ◆ Tryk på kontakten til variabel hastighed (1) for at starte værktøjet. Værktøjets hastighed afhænger af, hvor langt du trykker knappen. Brug generelt lave hastigheder til bor med stor diameter og lave hastigheder til bor med mindre diameter.
- ◆ Tryk på spærreknappen (2) og udløs kontakten til variabel hastighed for at opnå konstant funktion. Spærreknappen er kun tilgængelig ved fuld hastighed i fremadrettet rotation. I bagudrettet tilstand er spærreknappen ikke tilgængelig.
- ◆ Udløs kontakten til variabel hastighed for at stoppe værktøjet. Sluk for værktøjet efter arbejde i konstant funktion ved at trykke på knappen til variabel hastighed igen for at udløse den. Hold altid værktøjet som vist i fig. G.

Tilbehør

Værktøjets ydeevne afhænger af det anvendte tilbehør.

Tilbehør fra BLACK+DECKER er fremstillet efter høje kvalitetsstandarder og er designet til at forbedre dit værktøjets ydeevne. Når du bruger dette tilbehør, vil værktøjet yde optimalt.

Vedligeholdelse

Dit BLACK+DECKER-apparat/værktøj med eller uden ledning er beregnet til brug gennem lang tid med et minimum af vedligeholdelse. Vedvarende tilfredsstillende funktion er afhængig af, om apparatet plejes korrekt og rengøres regelmæssigt.

Advarsel! Inden udførelse af vedligeholdelsesarbejde på elværktøjer med/uden ledninger:

- ◆ Sluk og tag apparatets/værktøjets stik ud af stikkontakten.
- ◆ Eller sluk og fjern batteriet fra apparatet/værktøjet, hvis det har en separat batteripakke.
- ◆ Eller aflad batteriet helt, hvis det er indbygget, og sluk derefter.
- ◆ Træk opladeren ud af stikkontakten, før den rengøres. Opladeren kræver ingen vedligeholdelse, men skal rengøres jævnligt.
- ◆ Rengør jævnligt apparatets/værktøjets/laderens ventilationshuller med en blød børste eller en tør klud.
- ◆ Rengør med jævne mellemrum motorhuset med en fugtig klud.

Der må ikke bruges skuremidler eller opløsningsmidler.

- Åbn jævnlgt patronen, og bank på den for at fjerne indvendigt støv (hvis monteret).

Udskiftning af netstik (kun Storbritannien og Irland)

Hvis et nyt lysnetstik skal monteres:

- Det gamle stik skal bortskaffes på en sikker måde.
- Slut den brune ledning til den strømførende klemme på det nye stik.
- Slut den blå ledning til den neutrale klemme.

Advarsel! Der skal ikke tilsluttes til jordklemmen. Følg de monteringsinstruktioner, der følger med stik af god kvalitet. Anbefalet sikring: 5 A.

Miljøbeskyttelse

Særlig bortskaffelse. Produkter og batterier mærket med dette symbol må ikke bortskaffes sammen med normalt husholdningsaffald.

Produkter og batterier indeholder materialer, der kan genvindes eller genbruges og således reducere efterspørgslen efter råvarer.

Genbrug venligst elektriske produkter og batterier i henhold til lokale bestemmelser.

Yderligere informationer findes på www.2helpU.com

Tekniske data

		BEHS01
Indgangsspænding	V_{AC}	230
Effektindgang	W	650
Tomgangshastighed	min^{-1}	0 - 1600
Maks. borekapacitet		
Beton	mm	16
Stål	mm	13
Træ	mm	30
Vægt	kg	2.6

Erklærede dobbeltcifrede støjemissionsværdier i overensstemmelse med ISO 4871	
Målt A-vægtet lydeffektniveau, L_{WA} (ref. 1pW), i decibel = 104.5 dB(A) Usikkerhed, K_{WA} , i decibel = 3 dB(A)	
Målt A-vægtet emissionstrykniveau på arbejdsstationen, L_{PA} (ref. 20 μ PA), i decibel = 93.5 dB(A) Usikkerhed, K_{PA} , i decibel = 3 dB(A)	
Værdier fastsat i overensstemmelse med støjtestkode angivet i EN 60745-1:2009+A11:2010, med brug af de grundlæggende standarder EN 60745-2-6:2010	
BEMÆRK - Summen af en målt støjemissionsværdi og dens tilknyttede usikkerhed repræsenterer en øvre grænse for området af værdier, der sandsynligvis vil forekomme i målinger	

Samlede værdier for vibration (triaksial vektorsum) fastsat iht. EN 60745		
	beskrivelse af arbejdsmetoden 'hammerboring i beton'	beskrivelse af arbejdsmetoden 'mejsling'
Vibrationsemissionsværdi a_h	14.1 m/s^2	15.2 m/s^2
Usikkerhed K	1,5 m/s^2	1,5 m/s^2
Værdier i overensstemmelse med EN 60745-1:2009+A11:2010 og EN 60745-2-6:2010		

EF-overensstemmelseserklæring MASKINDIREKTIV



BEHS01 Slagbor

Black & Decker erklærer, at produkterne beskrevet under "Tekniske data" er i overensstemmelse med:

EN60745-1:2009+A11:2010, EN60745-2-6:2010.

Disse produkter er endvidere i overensstemmelse med direktiv 2006/42/EF, 2014/30/EU og 2011/65/EU. Kontakt Black & Decker på nedenstående adresse, eller se vejledningens bagside for at få flere oplysninger.

Undertegnede er ansvarlig for udarbejdelsen af de tekniske data og fremsætter denne erklæring på vegne af Black & Decker.

Ed Higgins

Direktør - Consumer Power Tools

Black & Decker Europe, 270 Bath Road, Slough,

Berkshire, SL1 4DX

Storbritannien

07/02/2020

Garanti

Black & Decker er overbevist om den gode kvalitet af sine produkter og giver forbrugerne en garanti på 24 måneder fra købsdatoen. Garantien er et tillæg til forbrugerens lovmæssige rettigheder og påvirker ikke disse. Garantien er gyldig inden for medlemsstaterne af Den Europæiske Union og Det Europæiske Frihandelsområde.

Når du gør krav på garantien, skal kravet være i overensstemmelse med Black & Decker vilkår og betingelser, og du skal indsende dokumentation for købet til sælgeren eller til en autoriseret reparatør. Vilkår og betingelser for Black & Decker 2 års garanti og placeringen af dit nærmeste autoriserede serviceværksted kan fås på internettet på www.2helpU.com, eller ved at kontakte dit lokale Black & Decker kontor på den adresse, der er angivet i denne vejledning.

Besøg venligst vores websted www.blackanddecker.co.uk for at registrere dit nye Black & Decker produkt og modtage opdateringer om nye produkter og specielle tilbud.

Käyttötarkoitus

Tämä BLACK+DECKER BEHS01 SDS -iskuporakone on tarkoitettu puun, metallin, muovin ja kiviaineksen poraamiseen sekä ruuvaukseen. Tämä työkalu on tarkoitettu vain yksityiskäyttöön.

Turvallisuusohjeet

Sähkötyökalujen yleiset turvavaroitukset



Varoitus! Lue kaikki tämän sähkötyökalun mukana toimitetut varoitukset, käyttöohjeet ja tekniset tiedot. Alla olevien varoitusten ja ohjeiden noudattamisen laiminlyönti saattaa johtaa sähköiskuun, tulipaloon ja/tai vakavaan loukkaantumiseen..

Säästä kaikki varoitukset ja ohjeet tulevaa käyttöä varten.

Ohjeissa käytetty käsite "sähkötyökalu" tarkoittaa verkko-käyttöisiä sähkötyökaluja (verkkojohdolla varustettuja) ja akkukäyttöisiä sähkötyökaluja (ilman verkkojohtoa).

1. Työalueen turvallisuus

- Pidä työalue puhtaana ja hyvin valaistuna.** Onnettomuksia sattuu herkemmin epäsiistissä tai huonosti valaistussa ympäristössä.
- Älä käytä sähkötyökalua räjähdysalttiissa ympäristössä, jossa on syttyvää nestettä, kaasua tai pölyä.** Sähkötyökalujen aiheuttamat kipinät voivat sytyttää pölyn tai kaasut.
- Pidä lapset ja sivulliset loitolla sähkötyökalua käyttäessäsi.** Keskittymiskyvyn herpaantuminen voi aiheuttaa hallinnan menettämisen.

2. Sähköturvallisuus

- Sähkötyökalun pistokkeen on sovittava pistorasiaan. Älä koskaan tee pistokkeeseen mitään muutoksia. Älä yhdistä maadoitettua sähkötyökalua jatkojohtoon.** Sähköiskun vaara vähenee, jos pistokkeisiin ei tehdä muutoksia ja ne yhdistetään vain niille tarkoitettuihin pistorasioihin.
- Vältä koskettamasta maadoitettuja pintoja, kuten putkia, lämpöpattereita, liesiä tai jääkaappeja.** Voit saada sähköiskun, jos kehosi on maadoitettu.
- Älä altista sähkötyökalua sateelle tai kosteudelle.** Sähkötyökaluun menevä vesi lisää sähköiskun vaaraa.
- Älä käsittele virtajohtoa kovakouraisesti. Älä kannata työkaluja sähköjohdosta tai vedä pistoketta pistorasiasta sähköjohdon avulla. Pidä sähköjohto kaukana kuumuudesta, öljystä, terävistä reunoista tai liikkuvista osista.** Vaurioituneet tai sotkeutuneet johdot lisäävät sähköiskun vaaraa.
- Käyttäessäsi sähkötyökalua ulkona käytä ainoastaan ulkokäyttöön soveltuvaa jatkojohtoa.**

Ulkokäyttöön tarkoitettujen sähköjohdon käyttäminen vähentää sähköiskun vaaraa.

- Jos sähkötyökalua on välttämättä käytettävä kosteassa paikassa, käytä vikavirtasuojalla (RCD) suojattua virtalähdettä.**

Tämä vähentää sähköiskun vaaraa.

3. Henkilöturvallisuus

- Ole valpas, keskity työhön ja noudata tervettä järjeä sähkötyökalun käytössä.** Älä käytä tätä työkalua ollessasi väsynyt tai alkoholin, huumeiden tai lääkkeiden vaikutuksen alaisena. Keskittymisen herpaantuminen hetkeksikin sähkötyökalua käytettäessä voi aiheuttaa vakavan henkilövahingon.
- Käytä henkilökohtaisia suojavarusteita. Käytä aina suojalaseja.** Hengityssuojaimen, liukumattomien turvajalkineiden, kypärän ja kuulonsuojaimen käyttäminen vähentää henkilövahinkojen vaaraa.
- Vältä tahatonta käynnistämistä. Varmista, että kytkin on OFF-asennossa, ennen kuin liität laitteen virtalähteeseen ja/tai akkuun, nostat laitteen tai kannat sitä.** Sähkötyökalun kantaminen sormi virtakytkimellä lisää onnettomuusvaaraa.
- Irrota mahdollinen säätö- tai kiintoavain ennen kuin käynnistät sähkötyökalun.** Sähkötyökalun pyöriivään osaan kiinni jäänyt avain voi johtaa loukkaantumiseen.
- Älä kurkota.** Huolehdi siitä, että sinulla on koko ajan tukeva jalansija ja hyvä tasapaino. Näin voit hallita sähkötyökalua paremmin odottamattomissa tilanteissa.
- Käytä tarkoitukseen soveltuvia vaatteita. Älä käytä löysiä vaatteita tai koruja. Pidä hiukset, vaatteet ja kädet loitolla liikkuvista osista.** Löysät vaatteet, korut tai pitkät hiukset voivat tarttua liikkuviin osiin.
- Jos työkalun voi liittää pölynimuriin, tarkista, että liitos on tehty asianmukaisesti ja että laitteita käytetään oikealla tavalla.** Pölyn ottaminen talteen voi vähentää pölyn aiheuttamia vaaroja.
- Vaikka käyttäisit usein työkaluja ja sinulla olisi niistä hyvä tunteemus, älä jätä lukematta työkalun turvallisuusohjeita.** Huolimattomuus voi johtaa vakaviin henkilövahinkoihin jopa sekunnin murto-osassa.

4. Sähkötyökalujen käyttö ja hoito

- Älä ylikuormita sähkötyökalua. Valitse käyttötarkoituksen kannalta oikea sähkötyökalu.** Sähkötyökalu toimii paremmin ja turvallisemmin, kun sitä käytetään sille suunniteltuun käyttötarkoitukseen.
- Älä käytä sähkötyökalua, jota ei voida käynnistää ja pysäyttää virtakytkimestä.** Jos sähkötyökalua ei voi hallita kytkimen avulla, se on vaarallinen ja se on korjattava.

- c. **Irrota pistotulppa pistorasiasta ja/tai akku laitteesta ennen kuin suoritat säätöjä, vaihdat tarvikkeita tai siirrä sähkötyökalun varastoitavaksi.** Näin voit vähentää vahingossa käynnistymisen aiheuttaman henkilövahingon vaaraa.
- d. **Säilytä sähkötyökalut poissa lasten ulottuvilta, kun niitä ei käytetä. Älä anna sähkötyökalua sellaisen henkilön käyttöön, joka ei tunne sitä tai joka ei ole tutustunut tähän käyttöohjeeseen.** Sähkötyökalut ovat vaarallisia kouluttamattomien käyttäjien käsissä.
- e. **Hoida sähkötyökaluasi ja lisävarusteita huolella.** Tarkista, että liikkuvat osat toimivat moitteettomasti ja etteivät ne ole puristuksessa. Tarkista myös, ettei työkalussa ole murtuneita tai vahingoittuneita osia, jotka saattaisivat vaikuttaa haitallisesti sen toimintaan. Jos havaitset vaurioita, korjauta sähkötyökalu ennen niiden käyttämistä. Huonosti kunnossapidetyt sähkötyökalut aiheuttavat onnettomuuksia.
- f. **Pidä leikkausterät terävinä ja puhtaina.** Kunnossa pidettyjen leikkaavia teräviä reunoja sisältävien työkalut todennäköisyyt jumiutua vähenee, ja niitä on helpompi hallita.
- g. **Käytä sähkötyökaluja, tarvikkeita, vaihtoteriä yms. näiden ohjeiden mukaisesti. Ota tällöin huomioon työolosuhteet ja suoritettava toimenpide.** Jos sähkötyökalua käytetään näiden ohjeiden vastaisesti, voi syntyä vaaratilanne.
- h. **Pidä kahvat ja kädensijat kuivina ja puhtaina öljystä ja rasvasta. Liukkaat kahvat ja kädensijat estävät työkalun turvallisen käsittelyn ja hallinnan odottamattomissa tilanteissa.**
5. Huolto
- a. **Korjauta sähkötyökalu koulutetulla ja ammattitaitoisella henkilöllä ja hyväksy korjauksiin vain alkuperäisiä varaosia.**
Tämä varmistaa sähkötyökalun turvallisuuden.

Sähkötyökalujen lisäturvavaroitukset



Varoitus! Iskuporakoneiden ja talttavasaroiden lisäturvavaroitukset

- ◆ **Käytä kuulonsuojaimia, kun käytät iskuporaa.** Melulle altistuminen voi aiheuttaa kuulon menetyksen.
- ◆ **Käytä apukahvoja työkalun kanssa.** Hallinnan menety voi aiheuttaa henkilövahingon.
- ◆ **Tartu työkaluun hyvällä otteella ennen käyttöä.** Tämä työkalu tuottaa suuren momentin, mikä voi johtaa hallinnan menetykseen ja henkilövahinkoihin, mikäli työkalusta ei pidetä hyvin kiinni.
- ◆ **Pitele sähkötyökalua eristetyistä tartuntapinnoista tehdessäsi työtä, jossa laikka voi osua piilossa oleviin sähköjohtoihin tai omaan virtajohtoonsa.**

Terien osuminen jännitteiseen johtoon tekee sen paljaista metalliosista jännitteisiä, joten käyttäjä voi saada sähköiskun.

Turvallisuusohjeet pitkiä poranteriä käyttäessä

- ◆ **Älä koskaan ylitä poranterän määritettyä maksiminopeutta.** Suuremmilla nopeuksilla terä voi taipua ja aiheuttaa henkilövahinkoja, jos sen annetaan pyöriä vapaasti työstökappaleesta irti.
- ◆ **Aloita poraus aina alhaisella nopeudella poranterän koskettaessa työstökappaleeseen.** Suuremmilla nopeuksilla terä voi taipua ja aiheuttaa henkilövahinkoja, jos sen annetaan pyöriä vapaasti työstökappaleesta irti.
- ◆ **Kohdista terään voimaa vain suorassa linjassa välttämällä liiallista painetta.** Terät voivat taipua ja aiheuttaa murtumisen tai hallinnan menetyksen, mikä voi johtaa henkilövahinkoihin.
- ◆ **Älä koskaan käytä talttaosaa ruuvaustilassa.** Lisävaruste juuttuu materiaaliin ja kiertää poraa.
- ◆ **Käytä puristimia tai muuta käytännöllistä tapaa kiinnittää ja tukea työstökappale tukevalle alustalle.** Työn pitäminen käsin tai vartaloa vasten on epävakaata ja saattaa johtaa kontrollin menetykseen.
- ◆ Ennen kuin poraat seiniä, lattiota tai kattoja, tarkista sähköjohtojen ja putkien sijainti.
- ◆ Älä koske terään heti poraamisen jälkeen. Terä saattaa olla kuuma.
- ◆ Tarkoitettu käyttö on kuvattu tässä käyttöohjeessa. Käytä työkalua ainoastaan sellaiseen työhön, johon se on tarkoitettu, ja käytä vain tässä käyttöohjeessa suositeltuja tarvikkeita ja lisälaitteita. Ohjeesta poikkeava käyttö voi aiheuttaa henkilö- ja/tai omaisuusvahinkoja.
- ◆ Käytä hengityssuojainta, mikäli työkalun käyttö voi tuottaa pölyä tai lentäviä hiukkasia.

Muiden henkilöiden turvallisuus

- ◆ Tätä laitetta ei ole tarkoitettu sellaisten henkilöiden (muukaan lukien lapset) käytettäväksi, joiden fyysiset, aistilliset tai henkiset kyvyt tai kokemus ovat rajalliset, ellei heidän turvallisuudestaan vastuussa oleva henkilö valvo tai ohjaa heitä laitteen käytössä.
- ◆ Lapsia tulee valvoa, jotta he eivät leikkisi laitteella.

Muut riskit.

Muut kuin turvavaroituksissa mainitut riskit ovat mahdollisia laitetta käytettäessä. Nämä riskit voivat liittyä muun muassa virheelliseen tai pitkäaikaiseen käyttöön.

Tiettyjä jäännönskejä ei voi välttää, vaikka noudat kaikkia turvamaäräyksiä ja käytät turvalaitteita. Näitä ovat:

- ◆ Pyörivien tai liikkuvien osien koskettamisen aiheuttamat vahingot.
- ◆ Osia, teriä tai lisävarusteita vaihdettaessa aiheutuneet vahingot.

- ◆ Työkalun pitkäaikaisen käytön aiheuttamat vahingot. Varmista, että pidät säännöllisesti taukoja laitteen pitkäaikaisen käytön aikana.
- ◆ Kuulon heikkeneminen.
- ◆ Työkalua käytettäessä (esimerkiksi puuta, erityisesti tammea, pyökkiä ja MDF-levyjä, käsiteltäessä) syntyneen pölyn sisäinhengityksen aiheuttamat terveysriskit.

Tärinä

Teknisissä tiedoissa ja vaatimustenmukaisuusilmoituksessa ilmoitetut tärinäpäästöarvot on mitattu standardin EN 60745 testausmenetelmän mukaisesti, ja niiden avulla voidaan vertailla työkaluja keskenään. Ilmoitettua tärinäpäästöarvoa voi käyttää myös altistumisen alustavaan arviointiin. **Varoitus!** Sähkötyökalun käytön aikana mitattu todellinen tärinäpäästöarvo voi poiketa ilmoitetusta tärinäpäästöarvosta työkalun käyttötavan mukaan. Tärinätasoa voi olla ilmoitettua tasoa suurempi.

Kun tärinälle altistumista arvioidaan sen määrittämiseksi, mitä direktiivin 2002/44/EY mukaisia turvatoimenpiteitä vaaditaan sähkötyökaluja säännöllisesti käyttävien henkilöiden suojelemiseksi, tärinälle altistumisen arvioinnissa on otettava huomioon todelliset käyttöolosuhteet ja työkalun käyttötavat. Todellisen käytön lisäksi on kiinnitettävä huomiota myös siihen, milloin työkalu on sammutettuna tai se käy tyhjäkäynnillä.

Työkalun tarrat

Työkaluun on merkitty päivämääräkoodi sekä seuraavat varoitusmerkinnot:



Varoitus! Käyttäjän on luettava käyttöohje vahinkojen välttämiseksi.



Käytä kuulosuojaimia iskuporakonetta käyttäessäsi. Melulle altistuminen voi aiheuttaa kuulon menetyksen.

Sähköturvallisuus



Tämä laite on kaksoiseristetty, joten erillistä maadoitusta ei tarvita. Tarkista aina, että verkkovirran jännite vastaa tyyppikilpeen merkittyä jännitettä.

- ◆ Jos virtajohto vahingoittuu, sen vaihtaminen on turvallisuussyistä jätettävä valmistajan tai valtuutetun BLACK+DECKER-huollon tehtäväksi.

Yleiskuvaus

1. Säädettävä nopeuskytkin
2. Lukituspainike
3. Suunnanvaihtokytkin
4. Poraustilan valitsin
5. Istukka
6. Sivukahva
7. Syvyysmittari

Asennus

Varoitus! Varmista ennen kokoamista, että virta on katkaistu ja että virtajohto on irti pistorasiasta.

Sivukahvan ja syvyysmittarin kiinnittäminen (kuvat A, B)

- ◆ Kierrä nuppia (6c) vastapäivään, kunnes voit työntää sivukahvan (6) työkalun eteen kuvan osoittamalla tavalla.
- ◆ Kierrä sivukahva haluamaasi asentoon ja varmista, että urat (6a) kytkeytyvät hammaspyörään (6b).
- ◆ Aseta syvyysmittari (7) asennusreikään (7a).
- ◆ Säädä porausrypyys alla kuvatulla tavalla.
- ◆ Kiristä sivukahva kiertämällä nuppia (6c) myötäpäivään.

Huomaa: sivukahva voidaan asettaa halutessa kuvan B mukaisesti.

Poranterän asentaminen (kuva C)

Tässä työkalussa on pikavapautettava istukka, joka helpottaa kärkien vaihtamista.

Varoitus! Varmista ennen lisävarusteiden asentamista tai irrottamista, että työkalu on lukitussa asennossa virtakytkimen tahattoman käytön estämiseksi.

- ◆ Lukitse työkalu siirtämällä eteen-/taaksepäin-liukusäädin (2) keskelle.
- ◆ Työnnä terän varsi (8) istukkaan (5) (kuva C).

Huomautus! Irrota terä/pistoke vetämällä istukan kartiota (5) työkalun etuosasta pois päin ja pidä sitä paikallaan (kuva C).

Käyttö

Varoitus! Anna työkalun käydä omaan tahtiinsa. Älä ylikuormita sitä.

Varoitus! Ennen kuin poraat seinä, lattiaa tai kattoja, tarkista sähköjohtojen ja putkien sijainti.

Pyörimissuunnan valitseminen (kuva D)

Käytä poraamiseen ja ruuvien kiristämiseen eteenpäin suuntautuvaa pyörimisliikettä (myötäpäivään). Käytä ruuvien irrottamiseen tai jumiutuneen poranterän irrottamiseen taaksepäin suuntautuvaa pyörimisliikettä (vastapäivään).

- ◆ Valitse pyörimissuunta eteenpäin työntämällä eteen-/taaksepäin-kytkin (3) vasemmalle.
- ◆ Valitse pyörimissuunta taaksepäin työntämällä eteen-/taaksepäin-painike oikealle.

Varoitus! Pyörimissuuntaa ei saa vaihtaa moottorin käydessä.

Poraustilan valitseminen (kuva D)

- ◆ Voit valita poraustilan painamalla painiketta 4a ja kiertämällä valitsimen haluttuun asentoon.
- ◆ Kun iskuporaat murausta tai betonia, aseta poraustilan valitsin (4) asentoon **T 1**.
- ◆ Kun poraat terästä, puuta ja muovia tai ruuvaat ruuvia, aseta poraustilan valitsin (4) asentoon **1**.
- ◆ Aseta piikkaustilassa poraustilan valitsin (4) asentoon **T**.

Poraussyvyyden asettaminen (kuva A)

- ◆ Löysää sivukahvaa (6) kiertämällä nuppia (6a) vastapäivään.
- ◆ Säädä syvyyssmittari (7) haluttuun kohtaan. Suurin poraus-syvyyys on sama kuin poranterän kärjen ja syvyyssmittarin etuosan välinen etäisyys.
- ◆ Kiristä sivukahva kiertämällä nuppia (6c) myötäpäivään.

Käynnistäminen ja sammuttaminen

- ◆ Käynnistä työkalu painamalla nopeudensäätökytkintä (1). Työkalun nopeus määräytyy sen mukaan, kuinka pitkälle kytkintä työnnetään. Yleissääntönä on, että matalat nopeudet sopivat halkaisijaltaan suurille poranterille ja suuret pienille poranterille.
- ◆ Jatkuvaa käyttöä varten paina lukituspainiketta (2) ja vapauta nopeudensäätökytkin. Lukituspainiketta voidaan käyttää vain täydellä nopeudella kiinniruuvaisuuntaan. Lukituspainiketta ei voi käyttää ruuvatussa vastakkaiseen suuntaan.
- ◆ Sammuta työkalu vapauttamalla nopeudensäätökytkin. Sammuta työkalu jatkuvan käytön aikana painamalla nopeudensäätökytkintä uudelleen ja vapauttamalla se. Pitele työkalua aina kuvan G osoittamalla tavalla.

Lisävarusteet

Työkalun suorituskyky riippuu käytetystä lisävarusteesta. Korkealaatuiset BLACK+DECKER-lisävarusteet on suunniteltu parantamaan työkalun suorituskykyä. Käyttämällä näitä lisävarusteita saat työkalustasi parhaan hyödyn.

Huolto

Verkkohdollalla varustettu tai verkkohjodoton BLACK+DECKER-laite on suunniteltu toimimaan mahdollisimman kauan mahdollisimman vähällä huollolla. Oikea käsittely ja säännöllinen puhdistus varmistavat laitteen ongelmattoman toiminnan.

Varoitus! Toimi seuraavasti ennen johdollisen/johdotoman sähkötyökalun huoltoa:

- ◆ Sammuta laite/työkalu ja irrota se verkkovirrasta.
- ◆ Jos laitteessa/työkalussa on erillinen akku, sammuta laite/työkalu ja irrota sen akku.
- ◆ Jos akku on kiinteä, käytä akku täysin loppuun ja sammuta laite sen jälkeen.
- ◆ Irrota laturi pistorasiasta ennen laturin puhdistamista. Laturi ei tarvitse säännöllisen puhdistamisen lisäksi mitään muuta huoltoa.
- ◆ Puhdista laitteen/työkalun/laturin ilma-aukot säännöllisesti pehmeällä harjalla tai kuivalla kangasliinalla.
- ◆ Puhdista moottorin kotelon säännöllisesti kostealla liinalla. Älä käytä hankaavia tai liuotinpohjaisia puhdistusaineita.
- ◆ Avaa istukka säännöllisesti ja naputtele pöly pois sen sisältä (soveltuvin osin).

Varaverkkopistoke (vain Iso-Britannia ja Irlanti)

Jos uusi verkkopistoke täytyy asentaa:

- ◆ Hävitä vanha pistoke ympäristöstävällisesti.
- ◆ Liitä ruskea johto uuden pistokkeen jännitteeseen napaan.
- ◆ Liitä sininen johto tähtipisteliitimeen.

Varoitus! Maadoitusliittimeen ei tule tehdä liittoksia. Noudata korkealaatuisten pistokkeiden mukana toimitettuja asennusohjeita. Suositeltu varoke: 5 A.

Ympäristönsuojelu

Erilliskeräys. Tällä symbolilla merkityitä tuotteita ja akkuja ei saa hävittää tavallisen kotitalousjätteen mukana.

Tuotteissa ja akuissa on materiaaleja, jotka voidaan ottaa talteen tai kierrättää uudelleen käyttöä varten.

Kierrätä sähkölaitteet ja akut paikallisten määräyksien mukaan.

Lisätietoa on saatavilla osoitteessa www.2helpU.com

Tekniset tiedot

		BEHS01
Syöttöjännite	V_{AC}	230
Ottoteho	W	650
Kuormittamaton nopeus	min^{-1}	0 - 1600
Suurin mahdollinen porusteho		
Betoni	mm	16
Teräs	mm	13
Puu	mm	30
Paino	kg	2,6

Standardin ISO 4871 mukaan ilmoitetut kaksinumeroiset äänipäästöarvot	
Mitattu A-painotettu äänitehotaso, L_{WA} (viilte 1pW), desibeleinä = 104,5 dB(A) Epävarmuus, K_{WA} , desibeleinä = 3 dB(A)	
Mitattu A-painotettu päästö äänenpainatasa työasemalla, L_{PA} (viilte 20µPA), desibeleinä = 93,5 dB(A) Epävarmuus, K_{PA} , desibeleinä = 3 dB(A)	
Arvot määritetty standardin EN 60745 -1:2009+A11:2010 mukaisella äänitestikoodilla soveltaen perustandardeja EN 60745-2-6:2010	
HUOMAA: Mitatun äänipäästöarvon summa ja sen vastaava epävarmuus vastaavat mittauksissa todennäköisesti ilmeneviä ylempiä arvoja	

Tärinän kokonaisarvot (vektorisumma), määritetty standardin EN 60745 mukaisesti		
	työtilan kuvaus "iskuporattaessa betonilla"	työtilan kuvaus "piikataessa"
Tärinäpäästöarvo a_n	14,1 m/s^2	15,2 m/s^2
Epävarmuus K	1,5 m/s^2	1,5 m/s^2
Arvot määritetty standardien EN 60745-1:2009+A11:2010 ja EN 60745-2-6:2010 mukaan		

EY-vaatimustenmukaisuusvakuutus
KONEDIREKTIIVI



BEHS01 Iskuporakone

Black & Decker ilmoittaa, että Tekniset tiedot -kohdassa kuvattut tuotteet täyttävät seuraavien direktiivien vaatimukset: EN60745-1:2009+A11:2010, EN60745-2-6:2010.

Nämä tuotteet täyttävät myös direktiivien 2006/42/EY, 2014/30/EY ja 2011/65/EY vaatimukset. Lisätietoja saa ottamalla yhteyden Black & Decker seuraavassa osoitteessa. Tiedot ovat myös käyttöohjeen takakannessa.

Allekirjoittanut vastaa teknisten tietojen kokoamisesta tehden tämän ilmoituksen Black & Deckerin puolesta.



Ed Higgins

Johtaja – Sähkötyökalan kuluttajille
Black & Decker Europe, 270 Bath Road, Slough,
Berkshire, SL1 4DX, Iso-Britannia
07/02/2020

Takuu

Black & Decker on vakuuttanut tuotteidensa korkeasta laadusta ja tarjoaa kuluttajille 24 kuukauden takuun, joka astuu voimaan ostopäivänä. Takuu on lisäys kuluttajan laillisiin oikeuksiin eikä vaikuta niihin. Tämä takuu on voimassa kaikissa EU- ja ETA-maissa.

Edellytyksenä takuun saamiselle on, että vaade täyttää Black & Deckerin ehdot ja että ostaja toimittaa ostotositteen jälleennyjälle tai valtuutetulle huoltoliikkeelle. Black & Deckerin kahden vuoden takuun ehdot ja lähimmän valtuutetun korjauspalvelun yhteystiedot ovat saatavilla osoitteessa www.2helpU.com tai ottamalla yhteyttä paikalliseen Black & Deckerin toimipisteeseen tässä ohjekirjassa ilmoitettuihin osoitteisiin. Käy verkkosivuillemme osoitteessa www.blackanddecker.fi ja rekisteröi uusi Black & Decker -tuotteesi saadaksesi tietoa uusista tuotteista ja erikoistarjouksista.

ΕΛΛΗΝΙΚΑ

(Μετάφραση των πρωτότυπων οδηγιών)

Προβλεπόμενη χρήση

To kroustikó sás dráptano SDS BLACK+DECKER BEHS01 éχει σχεδιαστεί για τη διάτρηση ξύλου, μετάλλου, πλαστικών και ειδών τοιχοποιίας, καθώς και για εφαρμογές βιδώματος. Αυτό το εργαλείο προορίζεται μόνο για ερασιτεχνική χρήση.

Οδηγίες ασφαλείας

Γενικές προειδοποιήσεις ασφαλείας για ηλεκτρικά εργαλεία



Προειδοποίηση! Διαβάστε όλες τις προειδοποιήσεις ασφαλείας, τις οδηγίες, τις απεικονίσεις και τις προδιαγραφές που συνοδεύουν αυτό το ηλεκτρικό εργαλείο. Η μη τήρηση των παρακάτω προειδοποιήσεων και οδηγιών μπορεί να προκαλέσει ηλεκτροπληξία, πυρκαγιά και/ή σοβαρές σωματικές βλάβες.

Φυλάξτε όλες τις προειδοποιήσεις και τις οδηγίες για μελλοντική αναφορά.

Ο όρος "ηλεκτρικό εργαλείο" που χρησιμοποιείται σε όλες τις παρακάτω προειδοποιήσεις, αναφέρεται είτε σε εργαλείο που λειτουργεί με ρεύμα δικτύου (ρεύματος - με καλώδιο) είτε σε εργαλείο που λειτουργεί με μπαταρία (μπαταρίας - χωρίς καλώδιο).

1. Ασφάλεια χώρου εργασίας

- α. Διατηρείτε τον χώρο εργασίας καθαρό και καλά φωτισμένο.** Οι ατακτοποιήτοι ή σκοτεινοί χώροι γίνονται αιτίες ατυχημάτων.
- β. Μη χρησιμοποιείτε ηλεκτρικά εργαλεία σε περιβάλλον όπου υπάρχει κίνδυνος έκρηξης, όπως με παρουσία εύφλεκτων υγρών, αερίων ή σκόνης.** Τα ηλεκτρικά εργαλεία παράγουν σπινθήρες που μπορεί να προκαλέσουν ανάφλεξη της σκόνης ή των αναθυμιάσεων.
- γ. Όταν χρησιμοποιείτε ηλεκτρικό εργαλείο, κρατάτε μακριά τα παιδιά και άλλα άτομα.** Παράγοντες που αποσπούν την προσοχή μπορεί να σας κάνουν να χάσετε τον έλεγχο.

2. Ασφαλής χρήση ηλεκτρικού ρεύματος

- α. Τα φως των ηλεκτρικών εργαλείων πρέπει να ταιριάζουν στην πρίζα. Σε καμία περίπτωση μην τροποποιήσετε το φως, με κανένα τρόπο. Μη χρησιμοποιείτε φως προσαρμογής με γειωμένα ηλεκτρικά εργαλεία.**
Τα φως που δεν έχουν υποστεί τροποποιήσεις και οι κατάλληλες πρίζες μειώνουν τον κίνδυνο ηλεκτροπληξίας.
- β. Αποφεύγετε την επαφή του σώματός σας με γειωμένες επιφάνειες, όπως σωλήνες, καλοριφέρ, κουζίνες και ψυγεία.** Υπάρχει αυξημένος κίνδυνος ηλεκτροπληξίας αν το σώμα σας είναι γειωμένο.
- γ. Μην εκθέτετε τα ηλεκτρικά εργαλεία σε βροχή ή υγρασία.** Η διείσδυση νερού σε ένα ηλεκτρικό εργαλείο αυξάνει τον κίνδυνο ηλεκτροπληξίας.
- δ. Μην κακομεταχειρίζεστε το καλώδιο. Ποτέ μη χρησιμοποιήσετε το καλώδιο για μεταφέρετε, να τραβήξετε ή να αποσυνδέσετε από την πρίζα το ηλεκτρικό εργαλείο. Κρατάτε το καλώδιο μακριά από θερμότητα, λάδια, αιχμηρά άκρα ή κινούμενα μέρη.** Τα καλώδια που έχουν υποστεί ζημιά ή είναι μπερδεμένα αυξάνουν τον κίνδυνο ηλεκτροπληξίας.
- ε. Όταν χρησιμοποιείτε ηλεκτρικό εργαλείο σε εξωτερικούς χώρους, να χρησιμοποιείτε πάντοτε καλώδιο επέκτασης κατάλληλο για εργασία σε εξωτερικούς χώρους.** Η χρήση καλωδίου κατάλληλου για εργασία σε εξωτερικούς χώρους μειώνει τον κίνδυνο ηλεκτροπληξίας.
- στ. Εάν είναι αναπόφευκτη η χρήση ενός ηλεκτρικού εργαλείου σε συνθήκες υγρασίας, χρησιμοποιήστε μια διάταξη προστασίας από ρεύμα διαρροής (RCD).** Η χρήση μιας διάταξης RCD μειώνει τον κίνδυνο ηλεκτροπληξίας.

3. Προσωπική ασφάλεια

- α. Όταν χρησιμοποιείτε ηλεκτρικό εργαλείο, να είστε σε εγρήγορση, να συγκεντρώσετε στην εργασία που κάνετε και να επιστρατεύετε την κοινή λογική. Μη χρησιμοποιείτε ηλεκτρικό εργαλείο όταν είστε κουρασμένος/η ή υπό την επήρεια ναρκωτικών, οινοπνεύματος ή φαρμακευτικής αγωγής.** Μια στιγμή απροσεξίας κατά τη χρήση ηλεκτρικών εργαλείων μπορεί να προκαλέσει σοβαρό τραυματισμό.
- β. Να χρησιμοποιείτε ατομικό εξοπλισμό προστασίας. Πάντα φοράτε προστασία ματιών.** Ο εξοπλισμός προστασίας, όπως μάσκα κατά της σκόνης, αντιολισθητικά παπούτσια ασφαλείας, κράνος ή προστασία ακοής, όταν χρησιμοποιείται για τις κατάλληλες συνθήκες, θα μειώσει τους τραυματισμούς και τις σωματικές βλάβες.
- γ. Αποτρέψτε την ακούσια ενεργοποίηση. Βεβαιωθείτε ότι ο διακόπτης βρίσκεται στη θέση απενεργοποίησης, πριν συνδέσετε το εργαλείο στην πηγή ρεύματος και/ή τοποθετήσετε το πακέτο μπαταρίας, καθώς και πριν πάρετε στα χέρια σας ή μεταφέρετε το εργαλείο.** Η μεταφορά ηλεκτρικών εργαλείων με το δάχτυλο πάνω στο διακόπτη ή η σύνδεση στο ρεύμα ηλεκτρικών εργαλείων με το διακόπτη στη θέση ενεργοποίησης, ενέχει κινδύνους ατυχημάτων.
- δ. Πριν θέσετε το ηλεκτρικό εργαλείο σε λειτουργία, αφαιρέστε τυχόν εργαλεία ή κλειδιά ρύθμισης.** Εάν αφήσετε ένα εργαλείο ή κλειδί πάνω σε κάποιο περιστρεφόμενο εξάρτημα του ηλεκτρικού εργαλείου, μπορεί να προκληθούν τραυματισμοί.
- ε. Μην τεντώνετε υπερβολικά. Διατηρείτε πάντα σταθερή στήριξη στα πόδια σας και καλή ισορροπία.** Έτσι μπορείτε να έχετε καλύτερο έλεγχο του ηλεκτρικού εργαλείου σε μη αναμενόμενες καταστάσεις.
- στ. Φοράτε κατάλληλη ενδυμασία εργασίας. Μη φοράτε φαρδιά ρούχα ούτε κοσμήματα. Κρατάτε τα μαλλιά, τα ρούχα και τα γάντια σας μακριά από κινούμενα μέρη.** Τα φαρδιά ρούχα, τα κοσμήματα και τα μακριά μαλλιά μπορούν να πιαστούν σε κινούμενα μέρη.
- ζ. Αν παρέχονται διατάξεις για τη σύνδεση συστημάτων απομάκρυνσης και συλλογής της σκόνης, βεβαιωθείτε ότι αυτές είναι συνδεδεμένες και χρησιμοποιούνται σωστά.** Η χρήση διατάξεων συλλογής της σκόνης μπορεί να μειώσει τους κινδύνους που προέρχονται από τη σκόνη.
- η. Μην αφήνετε την εξοικείωση που έχετε αποκτήσει από τη συχνή χρήση εργαλείων να σας επιτρέψει να εφησυχάσετε ώστε να αγνοείτε τις αρχές ασφαλούς χρήσης των εργαλείων.** Μια απρόσεκτη ενέργεια μπορεί να προκαλέσει βαρύ τραυματισμό μέσα σε κλάσματα του δευτερολέπτου.

4. Χρήση και φροντίδα ηλεκτρικών εργαλείων

- α. Μην υπερφορτώνετε το ηλεκτρικό εργαλείο. Χρησιμοποιείτε το σωστό ηλεκτρικό εργαλείο για την εφαρμογή σας.** Το σωστό ηλεκτρικό εργαλείο θα εκτελέσει την εργασία καλύτερα και ασφαλέστερα, με την ένταση χρήσης για την οποία σχεδιάστηκε.
- β. Μη χρησιμοποιήσετε το ηλεκτρικό εργαλείο αν ο διακόπτης του δεν μπορεί να το ενεργοποιεί και απενεργοποιεί.** Ένα ηλεκτρικό εργαλείο του οποίου η λειτουργία δεν μπορεί να ελεγχθεί με το διακόπτη είναι επικίνδυνο και πρέπει να επισκευαστεί.
- γ. Αποσυνδέστε το φως από την πηγή ρεύματος και/ή το πακέτο μπαταρίας από το ηλεκτρικό εργαλείο, πριν διεξαγάγετε οποιαδήποτε ρύθμιση, αλλαγή αξεσουάρ ή όταν πρόκειται να αποθηκεύσετε το ηλεκτρικό εργαλείο.** Τέτοια προληπτικά μέτρα ασφαλείας μειώνουν το κίνδυνο αθέλητης εκκίνησης του ηλεκτρικού εργαλείου.
- δ. Να φυλάσσετε μακριά από παιδιά τα ηλεκτρικά εργαλεία που δεν χρησιμοποιείτε. Μην αφήνετε να χρησιμοποιήσουν ηλεκτρικό εργαλείο άτομα που δεν είναι εξοικειωμένα με αυτό ή άτομα που δεν έχουν διαβάσει αυτές τις οδηγίες χρήσης.** Τα ηλεκτρικά εργαλεία είναι επικίνδυνα στα χέρια μη εκπαιδευμένων χρηστών.
- ε. Συντηρείτε τα ηλεκτρικά εργαλεία και τα αξεσουάρ. Ελέγχετε για προβλήματα ευθυγράμμισης ή για μάγκωμα των κινούμενων εξαρτημάτων, θραύση εξαρτημάτων, καθώς και για οποιοδήποτε άλλο πρόβλημα μπορεί να επηρεάσει τη λειτουργία των ηλεκτρικών εργαλείων.** Αν το ηλεκτρικό εργαλείο έχει υποστεί ζημία, φροντίστε να επισκευαστεί πριν το χρησιμοποιήσετε. Η ανεπαρκής συντήρηση των ηλεκτρικών εργαλείων αποτελεί αιτία πολλών ατυχημάτων.
- στ. Διατηρείτε τα κοπτικά εργαλεία κοφτερά και καθαρά.** Τα κοπτικά εργαλεία με κοφτερές κοπτικές αιχμές που συντηρούνται σωστά έχουν λιγότερες πιθανότητες να μαγκώσουν και ελέγχονται ευκολότερα.
- ζ. Να χρησιμοποιείτε το ηλεκτρικό εργαλείο, τα αξεσουάρ και τις μύτες του εργαλείου κλπ. σύμφωνα με τις παρούσες οδηγίες, λαμβάνοντας υπόψη σας τις συνθήκες εργασίας και την εργασία που θέλετε να εκτελέσετε.** Η χρήση του ηλεκτρικού εργαλείου για εργασίες διαφορετικές από τις προβλεπόμενες θα μπορούσε να οδηγήσει σε επικίνδυνη κατάσταση.
- η. Διατηρείτε τις λαβές και τις επιφάνειες κρατήματος στεγνές, καθαρές και απαλλαγμένες από λάδι και γράσο. Οι ολισθηρές λαβές και επιφάνειες κρατήματος δεν επιτρέπουν τον ασφαλή χειρισμό και έλεγχο του εργαλείου σε μη αναμενόμενες καταστάσεις.**

5. Σέρβις

α. Αναθέτετε το σέρβις του ηλεκτρικού σας εργαλείου σε εξειδικευμένο τεχνικό επισκευών που χρησιμοποιεί μόνο γνήσια ανταλλακτικά.

Έτσι θα εξασφαλίσετε τη διατήρηση της ασφάλειας του ηλεκτρικού εργαλείου.

Πρόσθετες προειδοποιήσεις ασφαλείας για ηλεκτρικά εργαλεία



Προειδοποίηση! Συμπληρωματικές προειδοποιήσεις ασφαλείας για περιστροφικά και σκαπτικά κρουστικά εργαλεία

- ◆ **Φοράτε προστατευτικά ακοής κατά την κρουστική διάτρηση.** Η έκθεση σε θόρυβο μπορεί να προκαλέσει απώλεια ακοής.
- ◆ **Χρησιμοποιείτε τις βοηθητικές λαβές που παρέχονται μαζί με το εργαλείο.** Η απώλεια ελέγχου μπορεί να προκαλέσει σωματική βλάβη.
- ◆ **Συγκρατήστε σωστά το εργαλείο πριν τη χρήση.** Αυτό το εργαλείο παράγει υψηλή ροπή εξόδου και αν δεν συγκρατείτε σωστά το εργαλείο κατά τη λειτουργία, μπορεί να προκύψει απώλεια ελέγχου με αποτέλεσμα τραυματισμό ατόμων.
- ◆ **Κρατάτε το ηλεκτρικό εργαλείο μόνο από μονωμένες επιφάνειες κρατήματος, όταν εκτελείτε κάποια εργασία κατά την οποία το αξεσουάρ κοπής μπορεί να έρθει σε επαφή με αθέατα καλώδια ή με το δικό του καλώδιο.**

Αν αξεσουάρ κοπής έρθει σε επαφή με καλώδιο υπό τάση, μπορεί να τεθούν υπό ηλεκτρική τάση και τα εκτεθειμένα μεταλλικά μέρη του ηλεκτρικού εργαλείου και να προκληθεί ηλεκτροπληξία στο χειριστή.

Οδηγίες ασφαλείας για την περίπτωση χρήσης τρυπανιών μεγάλου μήκους

- ◆ **Ποτέ μη χρησιμοποιείτε ταχύτητα υψηλότερη από τη μέγιστη ονομαστική ταχύτητα του τρυπανιού.** Σε υψηλότερες ταχύτητες, το τρυπάνι είναι πιθανό να λυγίσει αν επιτραπεί να περιστραφεί ελεύθερα χωρίς να είναι σε επαφή με το αντικείμενο εργασίας, με αποτέλεσμα τραυματισμό.
- ◆ **Πάντα να ξεκινάτε τη διάτρηση σε χαμηλή ταχύτητα και με τη μύτη του τρυπανιού σε επαφή με το αντικείμενο εργασίας.** Σε υψηλότερες ταχύτητες, το τρυπάνι είναι πιθανό να λυγίσει αν επιτραπεί να περιστραφεί ελεύθερα χωρίς να είναι σε επαφή με το αντικείμενο εργασίας, με αποτέλεσμα τραυματισμό ατόμων.
- ◆ **Εφαρμόζετε πίεση μόνο σε ευθεία γραμμή με το τρυπάνι και μην ασκείτε υπερβολική πίεση.** Τα τρυπάνια μπορεί να λυγίσουν προκαλώντας θραύση ή απώλεια του ελέγχου με αποτέλεσμα τραυματισμό.

- ◆ **Ποτέ μη χρησιμοποιήσετε αξεσουάρ καλεμιού σε περιστροφική λειτουργία.** Το αξεσουάρ θα ακινητοποιηθεί μέσα στο υλικό και θα περιστρέψει το δράπανο.
- ◆ **Χρησιμοποιείτε σφικτήρες ή άλλο πρακτικό μέσο για να στερεώσετε και να στηρίξετε το αντικείμενο εργασίας σε σταθερό υπόβαθρο.** Αν κρατάτε το αντικείμενο εργασίας με το χέρι σας ή κόντρα στο σώμα σας, δεν υπάρχει σταθερότητα και μπορεί να προκληθεί απώλεια του ελέγχου.
- ◆ **Πριν τη διάτρηση τοίχων, δαπέδων ή οροφών, ελέγχετε τις θέσεις καλωδίων και σωλήνων.**
- ◆ **Αποφεύγετε να αγγίζετε την άκρη του τρυπανιού αμέσως μετά τη διάτρηση, καθώς μπορεί να καίει.**
- ◆ **Η προβλεπόμενη χρήση περιγράφεται στο παρόν εγχειρίδιο οδηγιών. Η χρήση οποιοδήποτε αξεσουάρ ή προσαρτήματος ή η εκτέλεση με αυτό το εργαλείο οποιασδήποτε εργασίας διαφορετικής από αυτές που συνιστώνται στο παρόν εγχειρίδιο οδηγιών ενδέχεται να εγκυμονεί κίνδυνο σωματικής βλάβης και/ή υλικών ζημιών.**
- ◆ **Χρησιμοποιείτε προσωπίδα ή μάσκα προστασίας από τη σκόνη οποτεδήποτε οι εργασίες μπορεί να παράγουν σκόνη ή ιπτάμενα σωματίδια.**

Ασφάλεια τρίτων

- ◆ **Η συσκευή αυτή δεν προορίζεται για χρήση από άτομα (περιλαμβανομένων παιδιών) με μειωμένες σωματικές, αισθητηριακές ή διανοητικές ικανότητες, ή με έλλειψη εμπειρίας και γνώσης, εκτός αν σε αυτά έχει παρασχεθεί από άτομο υπεύθυνο για την ασφάλειά τους επίβλεψη ή εκπαίδευση σχετικά με τη χρήση της συσκευής.**
- ◆ **Τα παιδιά θα πρέπει να βρίσκονται υπό επίβλεψη ώστε να διασφαλίζεται ότι δεν παίζουν με τη συσκευή.**

Υπολειπόμενοι κίνδυνοι.

Κατά τη χρήση του εργαλείου μπορεί να δημιουργηθούν πρόσθετοι υπολειπόμενοι κίνδυνοι, οι οποίοι ενδέχεται να μη συμπεριλαμβάνονται στις προειδοποιήσεις ασφαλείας που εσωκλείονται. Αυτοί οι κίνδυνοι μπορεί να προκληθούν από κακή χρήση, παρατεταμένη χρήση κλπ. Παρά την εφαρμογή των σχετικών κανονισμών ασφαλείας και τη χρήση διατάξεων ασφαλείας, ορισμένοι υπολειπόμενοι κίνδυνοι δεν είναι δυνατό να αποφευχθούν. Σε αυτούς περιλαμβάνονται:

- ◆ Τραυματισμοί από επαφή με οποιαδήποτε περιστρεφόμενα/κινούμενα μέρη.
- ◆ Τραυματισμοί κατά την αλλαγή οποιωνδήποτε εξαρτημάτων, λαμιών ή αξεσουάρ.
- ◆ Σωματικές βλάβες από παρατεταμένη χρήση εργαλείου. Όταν χρησιμοποιείτε οποιοδήποτε εργαλείο για παρατεταμένα χρονικά διαστήματα, μην παραλείπετε με κανένα τρόπο να κάνετε τακτικά διαλείμματα.

- ♦ Βλάβη της ακοής.
- ♦ Κίνδυνος στην υγεία που προκαλούνται από την εισπνοή σκόνης όταν χρησιμοποιείτε το εργαλείο (παράδειγμα: όταν επεξεργάζεστε ξύλο, ειδικά δρυ, οξιά και MDF).

Κραδασμοί

Η δηλωμένη τιμή εκπομπής κραδασμών που αναφέρεται στα τεχνικά χαρακτηριστικά και τη δήλωση συμμόρφωσης έχει μετρηθεί σύμφωνα με τυποποιημένη μέθοδο δοκιμής που παρέχεται από το πρότυπο EN 60745 και μπορεί να χρησιμοποιηθεί για τη σύγκριση ενός εργαλείου με ένα άλλο. Η δηλωμένη τιμή εκπομπής κραδασμών μπορεί επίσης να χρησιμοποιηθεί σε έναν προκαταρκτικό προσδιορισμό της έκθεσης σε κραδασμούς.

Προειδοποίηση! Στην πράξη, η τιμή εκπομπής κραδασμών κατά την χρήση του ηλεκτρικού εργαλείου μπορεί να διαφέρει από την τιμή που δηλώθηκε, ανάλογα με τον τρόπο που χρησιμοποιείται το εργαλείο. Το επίπεδο κραδασμών μπορεί να αυξηθεί πάνω από το επίπεδο που έχει δηλωθεί.

Κατά τον προσδιορισμό της έκθεσης σε κραδασμούς για τον καθορισμό των απαιτούμενων μέτρων ασφαλείας σύμφωνα με την οδηγία 2002/44/ΕΚ για την προστασία προσώπων που χρησιμοποιούν συχνά ηλεκτρικά εργαλεία στην εργασία τους, μια προσεγγιστική εκτίμηση της έκθεσης σε κραδασμούς πρέπει να λαμβάνει υπόψη τις πραγματικές συνθήκες χρήσης και τον τρόπο χρήσης του εργαλείου, συμπεριλαμβανομένων και όλων των επιμέρους τμημάτων του κύκλου εργασίας, όπως τα χρονικά διαστήματα που το εργαλείο ήταν εκτός λειτουργίας και τα διαστήματα λειτουργίας χωρίς φορτίο, επιπλέον του χρόνου πίεσης της σκανδάλης.

Ετικέτες πάνω στο εργαλείο

Το εργαλείο φέρει τα παρακάτω εικονογράμματα μαζί με τον κωδικό ημερομηνίας:



Προειδοποίηση! Για να μειωθεί ο κίνδυνος τραυματισμού, ο χρήστης πρέπει να διαβάσει το εγχειρίδιο οδηγιών.



Όταν χρησιμοποιείτε κρουστικά δράπανα, να φοράτε ωτοασπίδες. Η έκθεση σε θόρυβο μπορεί να προκαλέσει απώλεια ακοής

Ασφαλής χρήση ηλεκτρικού ρεύματος



Αυτό το εργαλείο φέρει διπλή μόνωση. Επομένως, δεν απαιτείται καλώδιο γείωσης. Πάντα ελέγχετε ότι η παροχή ρεύματος αντιστοιχεί στην τάση που αναφέρεται στην πινακίδα στοιχείων.

- ♦ Αν το καλώδιο ρεύματος έχει υποστεί ζημία, η αντικατάστασή του πρέπει να γίνει από τον κατασκευαστή ή από ένα εξουσιοδοτημένο κέντρο επισκευών της BLACK+DECKER, ώστε να μην αποτελέσει κίνδυνο.

Χαρακτηριστικά

1. Διακόπτης ρύθμισης ταχύτητας
2. Κομπι συνεχόμενης λειτουργίας
3. Διακόπτης κίνησης προς τα εμπρός/πίσω
4. Επιλογέας τρόπου διάτρησης
5. Τσοκ
6. Πλευρική λαβή
7. Μετρητής βάθους

Συναρμολόγηση

Προειδοποίηση! Πριν από τη συναρμολόγηση, βεβαιωθείτε ότι το εργαλείο είναι απενεργοποιημένο και ότι το φως δεν είναι συνδεδεμένο στην πρίζα.

Τοποθέτηση της πλευρικής λαβής και του μετρητή βάθους (εικ. Α, Β)

- ♦ Περιστρέψτε το κομπι (6c) αριστερόστροφα μέχρι να μπορείτε να περάσετε την πλευρική λαβή (6) στο μπροστινό μέρος του εργαλείου όπως φαίνεται στην εικόνα.
- ♦ Περιστρέψτε την πλευρική λαβή στην επιθυμητή θέση εξασφαλίζοντας ότι οι εγκοπές (6a) συμπλέκονται με την οδοντωτή προεσοχή (6b).
- ♦ Εισάγετε τον μετρητή βάθους (7) στην οπή στερέωσης (7a).
- ♦ Ρυθμίστε το βάθος διάτρησης όπως περιγράφεται παρακάτω.
- ♦ Σφίξτε την πλευρική λαβή περιστρέφοντας το κομπι (6c) δεξιόστροφα.

Σημείωση: η πλευρική λαβή μπορεί να τοποθετηθεί όπως φαίνεται στην εικόνα Β, ανάλογα με την προσωπική προτίμηση.

Τοποθέτηση τρυπανιού (εικ. C)

Το εργαλείο αυτό είναι εξοπλισμένο με τσοκ ταχείας απελευθέρωσης για την εύκολη αλλαγή των μυτών.

Προειδοποίηση! Βεβαιωθείτε ότι το εργαλείο είναι ασφαλισμένο, ώστε να αποτραπεί τυχόν ενεργοποίηση του διακόπτη πριν από την τοποθέτηση ή την αφαίρεση αξεσουάρ.

- ♦ Ασφαλίστε το εργαλείο θέτοντας στην κεντρική θέση τον ολισθητήρα κίνησης προς τα εμπρός/πίσω (2).
- ♦ Εισάγετε τον άξονα του τρυπανιού (8) στο τσοκ (5) (Εικ. C).

Σημείωση! Για να αφαιρέσετε το τρυπάνι/το καρυδάκι, τραβήξτε και κρατήστε το κολάρο του τσοκ (5) αντίθετα από το μπροστινό μέρος του εργαλείου (Εικ. C).

Χρήση

Προειδοποίηση! Αφήνετε το εργαλείο να λειτουργήσει με τον δικό του ρυθμό. Μην το υπερφορτώνετε.

Προειδοποίηση! Πριν τη διάτρηση τοίχων, δαπέδων ή ταβανιών, ελέγχετε για τις θέσεις καλωδιώσεων και σωλήνων.

Επιλογή της κατεύθυνσης περιστροφής (εικ. D)

Για διάτρηση και για βίδωμα, χρησιμοποιείτε περιστροφή εμπρός (δεξιόστροφη). Για να λασκάρετε βίδες ή για την αφαίρεση ενός τρυπανιού που έχει κολλήσει, χρησιμοποιήστε την περιστροφή προς τα πίσω (αριστερόστροφη).

- ◆ Για επιλογή της περιστροφής προς τα εμπρός, πιέστε το κουμπί κίνησης προς τα εμπρός/πίσω (3) στην αριστερή θέση.
- ◆ Για επιλογή της περιστροφής προς τα πίσω, πιέστε το κουμπί κίνησης προς τα εμπρός/πίσω στη δεξιά θέση.

Προειδοποίηση! Ποτέ μην αλλάζετε την κατεύθυνση περιστροφής όταν το μοτέρ βρίσκεται σε λειτουργία.

Επιλογή του τρόπου διάτρησης (εικ. D)

- ◆ Για να επιλέξετε μια λειτουργία διάτρησης, πατήστε το κουμπί 4a και περιστρέψτε τον επιλογέα στην απαιτούμενη ρύθμιση.
- ◆ Για κρουστική διάτρηση σε είδη τοιχοποιίας και σκυρόδεμα, θέστε τον επιλογέα τρόπου διάτρησης (4) στη θέση **T 1**.
- ◆ Για διάτρηση σε χάλυβα, ξύλο και πλαστικά ή για βίδωμα, θέστε τον επιλογέα τρόπου λειτουργίας (4) στη θέση **1**.
- ◆ Για λειτουργία καλεμίσματος, ρυθμίστε τον επιλογέα τρόπο διάτρησης (4) στη θέση **T**.

Ρύθμιση του βάθους διάτρησης (εικ. A)

- ◆ Λασκάρτε την πλευρική λαβή (6) περιστρέφοντας το κουμπί (6a) αριστερόστροφα.
- ◆ Ρυθμίστε τον μετρητή βάθους (7) στην επιθυμητή τάση. Το μέγιστο βάθος διάτρησης είναι ίσο με την απόσταση μεταξύ του άκρου του τρυπανιού και του μπροστινού άκρου του μετρητή βάθους.
- ◆ Σφίξτε την πλευρική λαβή περιστρέφοντας το κουμπί (6c) δεξιόστροφα.

Ενεργοποίηση και απενεργοποίηση

- ◆ Για να ενεργοποιήσετε το εργαλείο, πιέστε τον διακόπτη ρύθμισης ταχύτητας (1). Η ταχύτητα λειτουργίας του εργαλείου εξαρτάται από το πόσο πιέζετε το διακόπτη. Κατά κανόνα, χρησιμοποιείτε χαμηλές ταχύτητες για μύτες τρυπανιού μεγάλης διαμέτρου και υψηλές ταχύτητες για μύτες τρυπανιού μικρότερης διαμέτρου.
- ◆ Για συνεχόμενη λειτουργία, πατήστε το κουμπί συνεχόμενης λειτουργίας (2) και αφήστε ελεύθερο τον διακόπτη ρύθμισης ταχύτητας. Το κουμπί συνεχόμενης λειτουργίας έχει εφαρμογή μόνο σε πλήρη ταχύτητα και κατεύθυνση κίνησης εμπρός.
Στην κατεύθυνση κίνησης προς τα πίσω, η λειτουργία του κουμπιού συνεχόμενης λειτουργίας δεν είναι διαθέσιμη.
- ◆ Για να απενεργοποιήσετε το εργαλείο, απελευθερώστε τον διακόπτη ρύθμισης ταχύτητας.

Για να απενεργοποιήσετε το εργαλείο όταν βρίσκεται σε συνεχόμενη λειτουργία, πατήστε τον διακόπτη ρύθμισης ταχύτητας ακόμη μία φορά και αφήστε τον ελεύθερο. Πάντα κρατάτε το εργαλείο όπως υποδεικνύεται στην εικόνα G.

Αξεσουάρ

Η απόδοση του εργαλείου σας εξαρτάται από το αξεσουάρ που χρησιμοποιείτε. Τα αξεσουάρ της BLACK+DECKER έχουν κατασκευαστεί μηχανικά με βάση πρότυπα υψηλής ποιότητας και είναι σχεδιασμένα να ενισχύουν την απόδοση του εργαλείου σας. Χρησιμοποιώντας αυτά τα αξεσουάρ, θα εξασφαλίσετε την καλύτερη δυνατή απόδοση του εργαλείου σας.

Συντήρηση

Αυτή η συσκευή/το εργαλείο ρεύματος/μπαταρίας της BLACK+DECKER έχει σχεδιαστεί έτσι ώστε να λειτουργεί για μεγάλο χρονικό διάστημα με την ελάχιστη δυνατή συντήρηση. Η συνεχής ικανοποιητική λειτουργία εξαρτάται από τη σωστή φροντίδα και τον τακτικό καθαρισμό του εργαλείου.

Προειδοποίηση! Πριν πραγματοποιήσετε οποιοδήποτε συντήρηση σε ηλεκτρικά εργαλεία ρεύματος/μπαταρίας:

- ◆ Απενεργοποιήστε και αποσυνδέστε τη συσκευή/το εργαλείο από την πρίζα.
- ◆ Ή απενεργοποιήστε τη συσκευή/το εργαλείο και αφαιρέστε την μπαταρία, εάν η συσκευή/το εργαλείο διαθέτει ξεχωριστό πακέτο μπαταρίας.
- ◆ Ή αφήστε να λειτουργήσει η συσκευή/το εργαλείο μέχρι να εξαντληθεί τελείως η μπαταρία και κατόπιν απενεργοποιήστε.
- ◆ Αποσυνδέστε το φορτιστή από την πρίζα πριν τον καθαρίσετε. Ο φορτιστής σας δεν χρειάζεται καμία άλλη συντήρηση πέραν του τακτικού καθαρισμού.
- ◆ Καθαρίζετε τακτικά τα ανοίγματα εξερισμού της συσκευής/του εργαλείου/του φορτιστή χρησιμοποιώντας μια μαλακή βούρτσα ή ένα στεγνό πανί.
- ◆ Να καθαρίζετε τακτικά το περιβάλλον του μοτέρ με ένα ελαφρά υγρό πανί. Μη χρησιμοποιείτε καθαριστικά που χαράζουν ή περιέχουν διαλύτες.
- ◆ Να ανοίγετε τακτικά το τσοκ και να το χτυπάτε ελαφρά για να αφαιρείται η σκόνη από το εσωτερικό του (εφόσον έχει τοποθετηθεί).

Αντικατάσταση του φινι ρευματοληψίας (Ην. Βασίλειο & Ιρλανδία μόνο)

Αν χρειάζεται να τοποθετηθεί νέο φινι ρευματοληψίας:

- ◆ Απορρίψτε με ασφαλή τρόπο το παλιό φινι.
- ◆ Συνδέστε τον καφέ αγωγό στον ηλεκτροφόρο ακροδέκτη (φάση) του νέου φινι.
- ◆ Συνδέστε τον μπλε αγωγό στον ουδέτερο ακροδέκτη.

Προειδοποίηση! Δεν πρέπει να γίνει καμία σύνδεση

στον ακροδέκτη γείωσης. Ακολουθήστε τις οδηγίες συναρμολόγησης που συνοδεύουν τα καλής ποιότητας φιδ. Συνιστώμενη ασφάλεια: 5 Α.

Προστασία του περιβάλλοντος

Ξεχωριστή περισυλλογή. Τα προϊόντα και οι μπαταρίες που επισημαίνονται με αυτό το σύμβολο δεν πρέπει να απορρίπτονται μαζί με τα κανονικά οικιακά απορρίμματα. Τα προϊόντα και οι μπαταρίες περιέχουν υλικά που μπορούν να ανακτηθούν ή να ανακυκλωθούν ώστε να μειωθούν οι ανάγκες για πρώτες ύλες.

Παρακαλούμε να ανακυκλώνετε τα ηλεκτρικά προϊόντα και τις μπαταρίες σύμφωνα με τους τοπικούς κανονισμούς.

Περισσότερες πληροφορίες διατίθενται στον ιστότοπο www.2helpU.com

Τεχνικά χαρακτηριστικά

		BEHS01
Τάση εισόδου	V_{AC}	230
Κατανάλωση ισχύος	Π	650
Ταχύτητα χωρίς φορτίο	min ⁻¹	0 - 1600
Μέγ. ικανότητα διάτρησης		
Σκυρόδεμα	mm	16
Χάλυβας	mm	13
Ξύλο	mm	30
Βάρος	kg	2,6

Δηλωμένες τιμές δύο αριθμών για τις εκπομπές θορύβου σύμφωνα με το ISO 4871	
Μετρημένη Α-σταθμισμένη στάθμη ηχητικής ισχύος, L_{WA} (αναφ. 1 μW), σε ντεσιμπέλ = 104,5 dB(A) Αβεβαιότητα, K_{WA} , σε ντεσιμπέλ = 3 dB(A)	
Μετρημένη Α-σταθμισμένη στάθμη ηχητικής πίεσης εκπομπής στον σταθμό εργασίας, L_{PA} (αναφ. 20 μΡΑ), σε ντεσιμπέλ = 93,5 dB(A) Αβεβαιότητα, K_{PA} , σε ντεσιμπέλ = 3 dB(A)	
Οι τιμές προσδιορίστηκαν σύμφωνα με τον κώδικα δοκιμής θορύβου που καθορίζεται στο πρότυπο EN 60745-1:2009+A11:2010, με χρήση των βασικών προτύπων EN 60745-2-6:2010	
ΣΗΜΕΙΩΣΗ- Το σύνολο μιας μετρημένης τιμής εκπομπής θορύβου και της αντίστοιχης αβεβαιότητας αντιπροσωπεύει ένα πάνω όριο της περιοχής τιμών που είναι πιθανόν να προκύψουν σε μετρήσεις	

Οι συνολικές τιμές δόνησης (διανυσματικό άθροισμα τριών αξόνων) καθορίστηκαν σύμφωνα με το πρότυπο EN 60745		
	η περιγραφή λειτουργίας εργασίας "κρουστική διάτρηση σε σκυρόδεμα"	η περιγραφή τρόπου λειτουργίας "καλέμισμα"
Τιμή εκπομπής κραδασμών a_w	14,1 m/s ²	15,2 m/s ²
Αβεβαιότητα K	1,5 m/s ²	1,5 m/s ²
Τιμές καθορισμένες σύμφωνα με τα EN 60745-1:2009+A11:2010 και EN 60745-2-6:2010		

Δήλωση συμμόρφωσης ΕΚ

ΟΔΗΓΙΑ ΠΕΡΙ ΜΗΧΑΝΗΜΑΤΩΝ



BEHS01 - Κρουστικό δράπανο

H Black & Decker δηλώνει ότι τα προϊόντα αυτά που περιγράφονται στα "τεχνικά χαρακτηριστικά" συμμορφώνονται με τα ακόλουθα:
EN60745-1:2009+A11:2010, EN60745-2-6:2010.

Αυτά τα προϊόντα συμμορφώνονται και με την Οδηγία 2006/42/ΕΚ, 2014/30/ΕΕ και 2011/65/ΕΕ. Για περισσότερες πληροφορίες, επικοινωνήστε με την Black & Decker στην παρακάτω διεύθυνση ή ανατρέξτε στο πίσω μέρος του χειριδίου.

Ο κάτωθι υπογεγραμμένος είναι υπεύθυνος για την κατάρτιση του τεχνικού φακέλου και δηλώνει τα παρόντα εκ μέρους της Black & Decker.

Ed Higgins

Διευθυντής – Καταναλωτικά Ηλεκτρικά Εργαλεία
Black & Decker Europe, 270 Bath Road, Slough,
Berkshire, SL1 4DX
United Kingdom (Ηνωμένο Βασίλειο)
07/02/2020

Εγγύηση

Η Black & Decker είναι σίγουρη για την ποιότητα των προϊόντων της και προσφέρει στους καταναλωτές εγγύηση 24 μηνών από την ημερομηνία αγοράς. Αυτή η εγγύηση συμπληρώνει και με κανένα τρόπο δεν παραβάλλει τα νόμιμα δικαιώματά σας. Η εγγύηση ισχύει εντός της επικράτειας των χωρών μελών της Ευρωπαϊκής Ένωσης και της Ευρωπαϊκής Ζώνης Ελευθέρων Συναλλαγών. Για να υποβάλτε αξίωση βάσει της εγγύησης, η αξίωση θα πρέπει να είναι σύμφωνη με τους Όρους και προϋποθέσεις της Black & Decker και θα χρειαστεί να υποβάλτε απόδειξη αγοράς στον πωλητή ή σε εξουσιοδοτημένο αντιπρόσωπο επισκευών. Μπορείτε να αποκτήσετε τους Όρους και προϋποθέσεις της εγγύησης 2 ετών της Black & Decker και να μάθετε την τοποθεσία του πλησιέστερου εξουσιοδοτημένου αντιπροσώπου επισκευών στο Internet στο www.2helpU.com, ή επικοινωνώντας με το τοπικό σας γραφείο Black & Decker στη διεύθυνση που υποδεικνύεται στο παρόν χειριδίο. Παρακαλούμε επισκεφθείτε την ιστοσελίδα www.blackanddecker.gr για να καταχωρίσετε το νέο σας προϊόν Black & Decker και για να ενημερώσετε για τα νέα προϊόντα και τις ειδικές προσφορές.

België/Belgique/Luxembourg www.blackanddecker.be enduser.be@sbdinc.com	Stanley Black & Decker Belgium BVBA Egide Walschaertsstraat 16 2800 Mechelen	Tel. NL +32 15 47 37 65 Tel. FR +32 15 47 37 66 Fax. +32 15 47 37 99
Danmark	Black & Decker Roskildevej 22 2620 Albertslund	kundeservice.dk@sbdinc.com www.blackanddecker.dk
Deutschland www.blackanddecker.de infobfge@sdbinc.com	Stanley Black & Decker Deutschland GmbH Black & Decker Str. 40, D - 65510 Idstein	Tel. 06126 21-0 Fax 06126 21-2980
Ελλάδα www.blackanddecker.gr greece.service@sbdinc.com	Stanley Black & Decker (ΕΛΛΑΣ) Ε.Π.Ε ΓΡΑΦΕΙΑ: Σπύριδωνος 7 & Βουλιαγμένης 166 74 Γλυφάδα - Αθήνα	Τηλ. 210-8981616 Φαξ 210-8983570
SERVICE:	Ημερος Τόπος 2 -Χάνι Αδάμ 193 00 Ασπρόπυργος - Αθήνα	Τηλ. Service 210-8985208 Φαξ 210-5597598
España www.blackanddecker.es respuesta.posventa@sbdinc.com	Stanley Black & Decker Ibérica, S.C.A. Parc de Negocis "Mas Blau" Edificio Muntadas, c/Bergadà, 1, Of. A6 08820 El Prat de Llobregat (Barcelona)	Tel. 934 797 400 Fax 934 797 419
France www.blackanddecker.fr	Black & Decker (France) S.A.S. 5 allée des Hêtres B.P. 30084 69579 Limonest Cédex	Tel. 04 72 20 39 20 Fax 04 72 20 39 00
Helvetia www.blackanddecker.ch service@rofoag.ch	ROFO AG Gewerbezone Seeblick 3213 Kleinbösingen	Tel. 026-6749393 Fax 026-6749394
Italia www.blackanddecker.it service.italia@sbdinc.com	Stanley Black & Decker Italia Via Energypark 6 20871 Vimercate (MB)	Tel. 039-9590200 Fax 039-9590313 Numero verde 800-213935
Nederland www.blackanddecker.nl enduser.nl@sbdinc.com	Stanley Black & Decker Netherlands BV Holtum Noordweg 35, 6121 RE BORN Postbus 83, 6120 AB BORN	Tel. +31 164 283 065 Fax +31 164 283 200
Norge	Black & Decker Postboks 4613, Nydalen 0405 Oslo	kundeservice.no@sbdinc.com www.blackanddecker.no
Österreich www.blackanddecker.at service.austria@sbdinc.com	Stanley Black & Decker Austria GmbH Oberlaaerstraße 248, A-1230 Wien	Tel. 01 66116-0 Fax 01 66116-614
Portugal www.blackanddecker.pt resposta.posvenda@sbdinc.com	Black & Decker Limited SARL Quinta da Fonte - Edifício Q55 D. Diniz Rua dos Malhões, 2 e 2A - Piso 2 Esquerdo 2770 - 071 Paço de Arcos	Tel. 214667500 Fax 214667580
Suomi	Black & Decker PL47 00521, Helsinki	asiakaspalvelu.fi@sbdinc.com www.blackanddecker.fi
Sverige	Black & Decker AB Box 94, 431 22 Molndal	kundservice.se@sbdinc.com www.blackanddecker.se
Türkiye www.blackanddecker.com.tr	KALE Hırdavat ve Makina A.Ş. Defferdar Mah. Savaklar Cad. No:15 Edimekapı / Eyüp / İstanbul 34050	Tel. 0212 533 52 55 Fax. 0212 533 10 05
United Kingdom & Republic Of Ireland www.blackanddecker.co.uk emeaservice@sbdinc.com	Black & Decker 270 Bath Road Slough, Berkshire SL1 4DX	Tel. 01753 511234 Fax 01753 512365
Middle East & Africa www.blackanddecker.ae service.mea@sbdinc.com	Black & Decker P.O.Box - 17164 Jebel Ali Free Zone (South), Dubai, UAE	Tel. +971 4 8863030 Fax +971 4 8863333