



PHONES

0 (800) 800 130  
(050) 462 0 130  
(063) 462 0 130  
(067) 462 0 130

130  
COM.UA

Internet store of  
autogoods



SKYPE

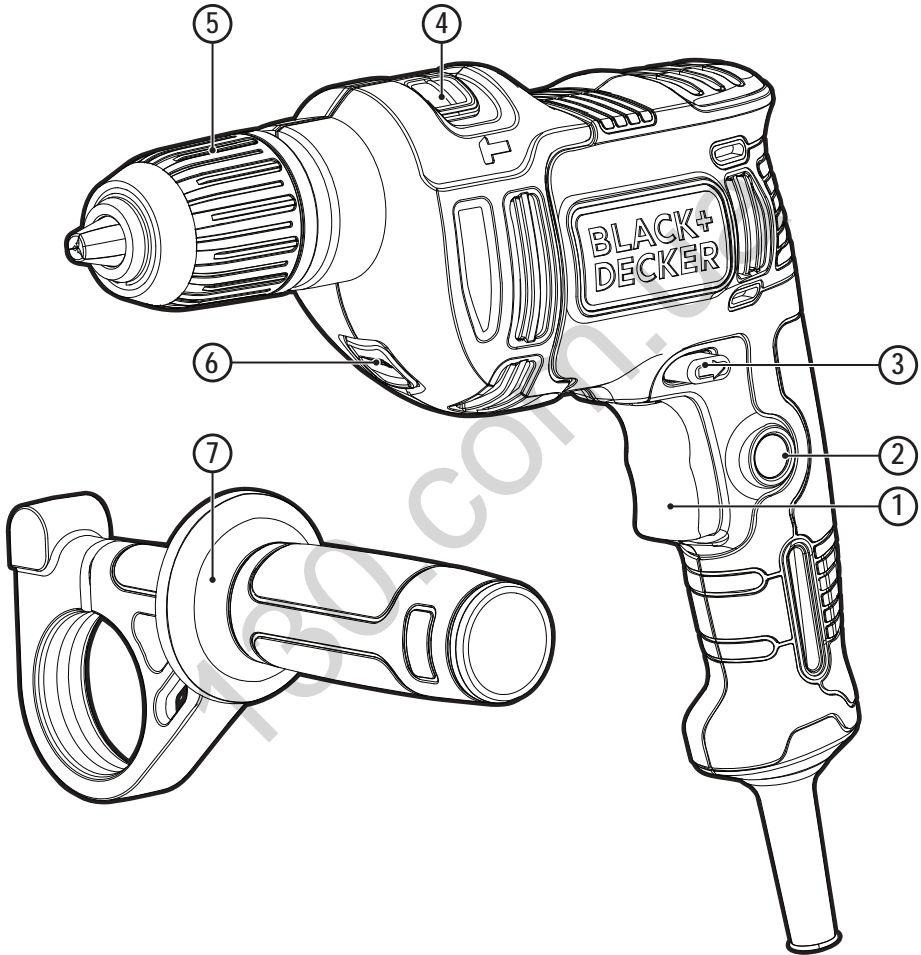
km-130

CAR RECEIVERS — Receivers • Media receivers and stations • Native receivers • CD/DVD changers • FM-modulators/USB adapters • Flash memory • Facia plates and adapters • Antennas • Accessories |  
CAR AUDIO — Car audio speakers • Amplifiers • Subwoofers • Processors • Crossovers • Headphones • Accessories | TRIP COMPUTERS — Universal computers • Model computers • Accessories |  
GPS NAVIGATORS — Portable GPS • Built-in GPS • GPS modules • GPS trackers • Antennas for GPS navigators • Accessories | VIDEO — DVR • TV sets and monitors • Car TV tuners • Cameras • Videomodules  
• Transcoders • Car TV antennas • Accessories | SECURITY SYSTEMS — Car alarms • Bike alarms • Mechanical blockers • Immobilizers • Sensors • Accessories | OPTIC AND LIGHT — Xenon • Bixenon • Lamps  
• LED • Stroboscopes • Optic and Headlights • Washers • Light, rain sensors • Accessories | PARKTRONICS AND MIRRORS — Rear parktronic • Front parktronic • Combined parktronic • Rear-view mirrors  
• Accessories | HEATING AND COOLING — Seat heaters • Mirrors heaters • Screen-wipers heaters • Engine heaters • Auto-refrigerators • Air conditioning units • Accessories | TUNING — Vibro-isolation  
• Noise-isolation • Tint films • Accessories | ACCESSORIES — Radar-detectors • Handsfree, Bluetooth • Windowlifters • Compressors • Beeps, loudspeakers • Measuring instruments • Cleaners • Carsits  
• Miscellaneous | MOUNTING — Installation kits • Upholstery • Grilles • Tubes • Cable and wire • Tools • Miscellaneous | POWER — Batteries • Converters • Start-charging equipment • Capacitors  
• Accessories | MARINE AUDIO AND ELECTRONICS — Marine receivers • Marine audio speakers • Marine subwoofers • Marine amplifiers • Accessories | CAR CARE PRODUCTS — Additives • Washer fluid •  
Care accessories • Car polish • Flavors • Adhesives and sealants | LIQUID AND OIL — Motor oil • Transmission oil • Brake fluid • Antifreeze • Technical lubricant



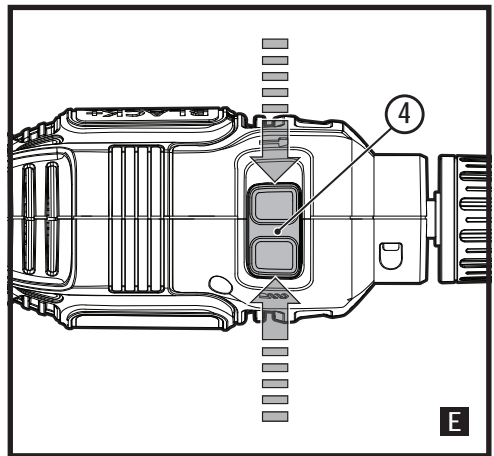
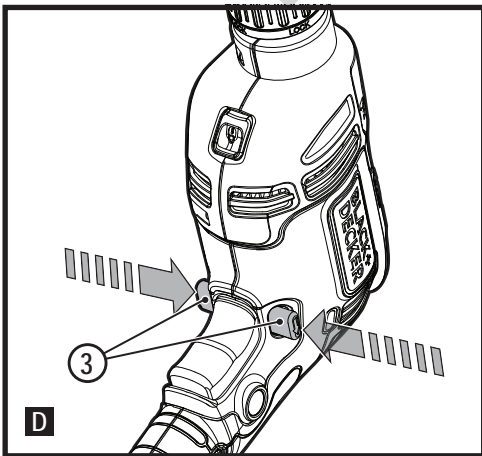
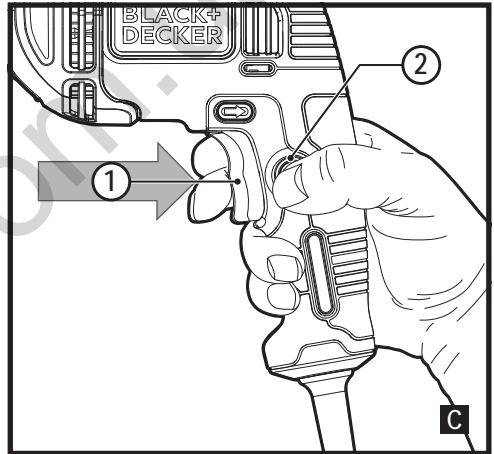
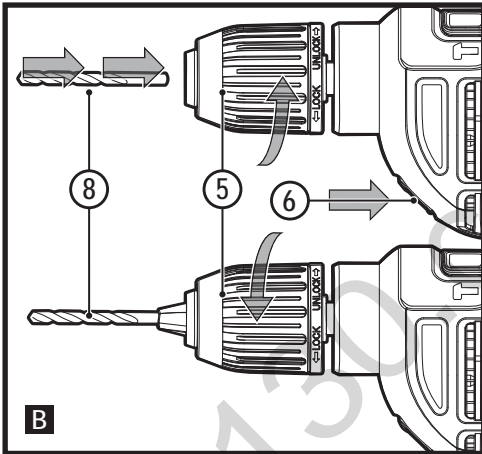
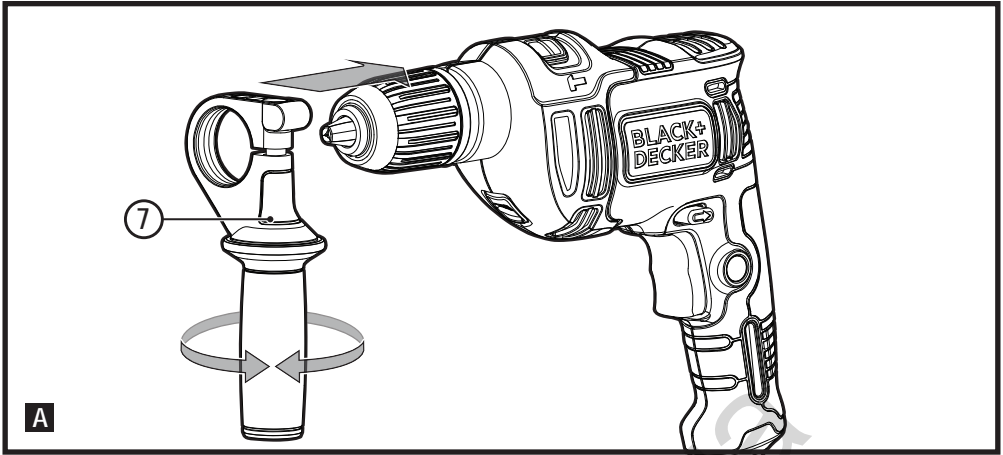
In store "130" you can find and buy almost all necessary goods for your auto in Kyiv and other cities, delivery by ground and postal services. Our experienced consultants will provide you with exhaustive information and help you to chose the very particular thing. We are waiting for you at the address

<https://130.com.ua>



[www.blackanddecker.eu](http://www.blackanddecker.eu)

BEH550  
BEH710



## Intended use

Your BLACK+DECKER BEH550, BEH710 Impact drill has been designed for drilling in wood, metal, plastics, and masonry as well as for screwdriving purposes. This tool is intended for consumer use only.

## Safety instructions

### General power tool safety warnings



**Warning!** Read all safety warnings and all instructions. Failure to follow the warnings and instructions listed below may result in electric shock, fire and/or serious injury.

Save all warnings and instructions for future reference. The term "power tool" in the warnings refers to your mains operated (corded) power tool or battery operated (cordless) power tool.

#### 1. Work area safety

- Keep work area clean and well lit. Cluttered or dark areas invite accidents.
- Do not operate power tools in explosive atmospheres, such as in the presence of flammable liquids, gases or dust. Power tools create sparks which may ignite the dust or fumes.
- Keep children and bystanders away while operating a power tool. Distractions can cause you to lose control.

#### 2. Electrical safety

- Power tool plugs must match the outlet. Never modify the plug in any way. Do not use any adapter plugs with earthed (grounded) power tools. Unmodified plugs and matching outlets will reduce risk of electric shock.
- Avoid body contact with earthed or grounded surfaces such as pipes, radiators, ranges and refrigerators. There is an increased risk of electric shock if your body is earthed or grounded.
- Do not expose power tools to rain or wet conditions. Water entering a power tool will increase the risk of electric shock.
- Do not abuse the cord. Never use the cord for carrying, pulling or unplugging the power tool. Keep cord away from heat, oil, sharp edges or moving parts. Damaged or entangled cords increase the risk of electric shock.
- When operating a power tool outdoors, use an extension cord suitable for outdoor use. Use of a cord suitable for outdoor use reduces the risk of electric shock.
- If operating a power tool in a damp location is unavoidable, use a residual current device (RCD) protected supply.

Use of an RCD reduces the risk of electric shock.

#### 3. Personal safety

- Stay alert, watch what you are doing and use common sense when operating a power tool. Do not use a power tool while you are tired or under the influence of drugs, alcohol or medication. A moment of inattention while operating power tools may result in serious personal injury.
- Use personal protective equipment. Always wear eye protection. Protective equipment such as dust mask, non-skid safety shoes, hard hat, or hearing protection used for appropriate conditions will reduce personal injuries.
- Prevent unintentional starting. Ensure the switch is in the off-position before connecting to power source and/or battery pack, picking up or carrying the tool. Carrying power tools with your finger on the switch or energising power tools that have the switch on invites accidents.
- Remove any adjusting key or wrench before turning the power tool on. A wrench or a key left attached to a rotating part of the power tool may result in personal injury.
- Do not overreach. Keep proper footing and balance at all times. This enables better control of the power tool in unexpected situations.
- Dress properly. Do not wear loose clothing or jewellery. Keep your hair, clothing and gloves away from moving parts. Loose clothes, jewellery or long hair can be caught in moving parts.
- If devices are provided for the connection of dust extraction and collection facilities, ensure these are connected and properly used. Use of dust collection can reduce dust-related hazards.

#### 4. Power tool use and care

- Do not force the power tool. Use the correct power tool for your application. The correct power tool will do the job better and safer at the rate for which it was designed.
- Do not use the power tool if the switch does not turn it on and off. Any power tool that cannot be controlled with the switch is dangerous and must be repaired.
- Disconnect the plug from the power source and/or the battery pack from the power tool before making any adjustments, changing accessories, or storing power tools. Such preventive safety measures reduce the risk of starting the power tool accidentally.
- Store idle power tools out of the reach of children and do not allow persons unfamiliar with the power tool or these instructions to operate the power tool. Power tools are dangerous in the hands of untrained users.

- e. **Maintain power tools.** Check for misalignment or binding of moving parts, breakage of parts and any other condition that may affect the power tools operation. If damaged, have the power tool repaired before use. Many accidents are caused by poorly maintained power tools.
  - f. **Keep cutting tools sharp and clean.** Properly maintained cutting tools with sharp cutting edges are less likely to bind and are easier to control.
  - g. **Use the power tool, accessories and tool bits etc. in accordance with these instructions, taking into account the working conditions and the work to be performed.** Use of the power tool for operations different from those intended could result in a hazardous situation.
5. **Service**
- a. **Have your power tool serviced by a qualified repair person using only identical replacement parts.** This will ensure that the safety of the power tool is maintained.

### Additional power tool safety warnings



**Warning!** Additional safety warnings for drills and impact drills.

- ◆ **Wear ear protectors with impact drills.** Exposure to noise can cause hearing loss.
- ◆ **Use auxiliary handles supplied with the tool.** Loss of control can cause personal injury.
- ◆ **Hold power tool by insulated gripping surfaces when performing an operation where the cutting accessory may contact hidden wiring.** Cutting accessory contacting a "live" wire may make exposed metal parts of the power tool "live" and could give the operator an electric shock.
- ◆ **Never use a chisel accessory in rotary mode.** The accessory will bind in the material and rotate the drill.
- ◆ **Use clamps or another practical way to secure and support the workpiece to a stable platform.** Holding the work by hand or against your body leaves it unstable and may lead to loss of control.
- ◆ **Before drilling into walls, floors or ceilings, check for the location of wiring and pipes.**
- ◆ **Avoid touching the tip of a drill bit just after drilling, as it may be hot.**
- ◆ **This tool is not intended for use by persons (including children) with reduced physical, sensory or mental capabilities, or lack of experience and knowledge, unless they have been given supervision or instruction concerning use of the appliance by a person responsible for their safety.** Children should be supervised to ensure that they do not play with the appliance.
- ◆ **The intended use is described in this instruction manual.**

The use of any accessory or attachment or performance of any operation with this tool other than those recommended in this instruction manual may present a risk of personal injury and/or damage to property.

- ◆ **Use a face or dust mask whenever the operations may produce dust or flying particles.**

### Safety of others

- ◆ This appliance is not intended for use by persons (including children) with reduced physical, sensory or mental capabilities, or lack of experience and knowledge, unless they have been given supervision or instruction concerning use of the appliance by a person responsible for their safety.
- ◆ Children should be supervised to ensure that they do not play with the appliance.

### Residual risks.

Additional residual risks may arise when using the tool which may not be included in the enclosed safety warnings. These risks can arise from misuse, prolonged use etc.

Even with the application of the relevant safety regulations and the implementation of safety devices, certain residual risks can not be avoided. These include:

- ◆ Injuries caused by touching any rotating/moving parts.
- ◆ Injuries caused when changing any parts, blades or accessories.
- ◆ Injuries caused by prolonged use of a tool. When using any tool for prolonged periods ensure you take regular breaks.
- ◆ Impairment of hearing.
- ◆ Health hazards caused by breathing dust developed when using your tool (example:- working with wood, especially oak, beech and MDF.)

### Vibration

The declared vibration emission values stated in the technical data and the declaration of conformity have been measured in accordance with a standard test method provided by EN 60745 and may be used for comparing one tool with another. The declared vibration emission value may also be used in a preliminary assessment of exposure.

**Warning!** The vibration emission value during actual use of the power tool can differ from the declared value depending on the ways in which the tool is used. The vibration level may increase above the level stated.

When assessing vibration exposure to determine safety measures required by 2002/44/EC to protect persons regularly using power tools in employment, an estimation of vibration exposure should consider, the actual conditions of use and the way the tool is used, including taking account of all parts of the operating cycle such as the times when the tool is switched off and when it is running idle in addition to the trigger time.

## Labels on tool

The following pictograms are shown on the tool along with the date code:



**Warning!** To reduce the risk of injury, the user must read the instruction manual.



Wear ear protectors with Impact drills. Exposure to noise can cause hearing loss

## Electrical safety



This tool is double insulated; therefore no earth wire is required. Always check that the power supply corresponds to the voltage on the rating plate.

- ◆ If the supply cord is damaged, it must be replaced by the manufacturer or an authorised BLACK+DECKER Service Centre in order to avoid a hazard.

## Features

1. Variable speed switch
2. Lock on button
3. Forward/reverse switch
4. Drilling mode selector
5. Chuck
6. Chuck lock
7. Side handle

## Assembly

**Warning!** Before assembly, make sure that the tool is switched off and unplugged.

### Fitting the side handle (fig. A)

- ◆ Turn the grip counterclockwise until you can slide the side handle (7) onto the front of the tool.
- ◆ Rotate the side handle into the desired position.
- ◆ Tighten the side handle by turning the grip clockwise.

### Fitting an accessory (fig. B)

- ◆ Press the chuck lock (6)
- ◆ Open the chuck by turning the sleeve (5) counterclockwise.
- ◆ Insert the bit shaft (8) into the chuck.
- ◆ Tighten the chuck by turning the sleeve clockwise.

## Use

**Warning!** Let the tool work at its own pace. Do not overload.

**Warning!** Before drilling into walls, floors or ceilings, check for the location of wiring and pipes.

### Switching on and off (fig. C)

- ◆ To switch the tool on, press the variable speed switch (1).

The tool speed depends on how far you press the switch.

- ◆ For continuous operation, press the lock-on button (2) and release the variable speed switch. This option does not work in reverse rotation.
- ◆ To switch the tool off, release the variable speed switch. To switch the tool off when in continuous operation, press the variable speed switch once more and release it.

### Selecting the direction of rotation (fig. D)

For drilling and tightening screws, use forward (clockwise) rotation. For loosening screws or removing a jammed drill bit, use reverse (counterclockwise) rotation.

- ◆ To select forward rotation, push the forward/reverse slider (3) to the left.
- ◆ To select reverse rotation, push the forward/reverse slider to the right.

**Warning!** Never change the direction of rotation while the motor is running.

### Selecting the drilling mode (fig. E)

- ◆ For Impact drilling in masonry and concrete, set the drilling mode selector (4) to the **T** position.
- ◆ For drilling in steel, wood and plastics or for screw driving set the operating mode selector (4) to the **A** position.

## Accessories

The performance of your tool depends on the accessory used. BLACK+DECKER accessories are engineered to high quality standards and designed to enhance the performance of your tool. By using these accessories you will get the very best from your tool.

## Maintenance

Your BLACK+DECKER corded/cordless appliance/tool has been designed to operate over a long period of time with a minimum of maintenance. Continuous satisfactory operation depends upon proper tool care and regular cleaning.

**Warning!** Before performing any maintenance on corded/cordless power tools:

- ◆ Switch off and unplug the appliance/tool.
- ◆ Or switch off and remove the battery from the appliance/tool if the appliance/tool has a separate battery pack.
- ◆ Or run the battery down completely if it is integral and then switch off.
- ◆ Unplug the charger before cleaning it. Your charger does not require any maintenance apart from regular cleaning.
- ◆ Regularly clean the ventilation slots in your appliance/tool/charger using a soft brush or dry cloth.
- ◆ Regularly clean the motor housing using a damp cloth. Do not use any abrasive or solvent-based cleaner.
- ◆ Regularly open the chuck and tap it to remove any dust from the interior (when fitted).

## Mains plug replacement (U.K. & Ireland only)

If a new mains plug needs to be fitted:

- ◆ Safely dispose of the old plug.
- ◆ Connect the brown lead to the live terminal in the new plug.
- ◆ Connect the blue lead to the neutral terminal.

**Warning!** No connection is to be made to the earth terminal.

Follow the fitting instructions supplied with good quality plugs.

Recommended fuse: 5 A.

## Protecting the environment

Separate collection. Products and batteries marked with this symbol must not be disposed of with normal household waste. Products and batteries contain materials that can be

 recovered or recycled reducing the demand for raw materials.

 Please recycle electrical products and batteries according to local provisions.

Further information is available at [www.2helpU.com](http://www.2helpU.com)

## Technical data

		BEH550	BEH710
Input voltage	$V_{AC}$	230	230
No-load speed	$\text{min}^{-1}$	0 - 2800	0 - 2800
Impact rate	$\text{min}^{-1}$	0 - 47600	0 - 47600
Weight	kg	1.7	1.76
<b>Max. drilling capacity</b>			
Concrete	mm	13	13
Steel	mm	13	13
Wood	mm	25	25

### BEH550 Level of sound pressure according to EN 60745:

Sound pressure ( $L_{pM}$ ) 93,5 dB(A), uncertainty (K) 3 dB(A)

Sound power ( $L_{wM}$ ) 104,5 dB(A), uncertainty (K) 3 dB(A)

### BEH710 Level of sound pressure according to EN 60745:

Sound pressure ( $L_{pM}$ ) 95,5 dB(A), uncertainty (K) 3 dB(A)

Sound power ( $L_{wM}$ ) 106,5 dB(A), uncertainty (K) 3 dB(A)

### BEH550 Vibration total values (triax vector sum) according to EN 60745:

Impact drilling into concrete ( $a_{h,10}$ ) 14,8  $\text{m/s}^2$ , uncertainty (K) 1,5  $\text{m/s}^2$

Drilling into metal ( $a_{h,D}$ ) 2,8  $\text{m/s}^2$ , uncertainty (K) 1,5  $\text{m/s}^2$

### BEH710 Vibration total values (triax vector sum) according to EN 60745:

Impact drilling into concrete ( $a_{h,10}$ ) 16,2  $\text{m/s}^2$ , uncertainty (K) 1,5  $\text{m/s}^2$

Drilling into metal ( $a_{h,D}$ ) 3,5  $\text{m/s}^2$ , uncertainty (K) 1,5  $\text{m/s}^2$



BEH550, BEH710 Impact drill

Black & Decker declares that these products described under "technical data" are in compliance with:

EN60745-1:2009+A11:2010, EN60745-2-1:2010.

These products also comply with directive 2014/30/EU, 2006/42/EC and 2011/65/EU.

For more information, please contact Black & Decker at the following address or refer to the back of the manual.

The undersigned is responsible for compilation of the technical file and makes this declaration on behalf of Black & Decker..

R. Laverick

Director of Engineering

Black & Decker Europe, 210 Bath Road, Slough,

Berkshire, SL1 3YD

United Kingdom

14/12/2017

## Guarantee

Black & Decker is confident of the quality of its products and offers consumers a 24 month guarantee from the date of purchase. This guarantee is in addition to and in no way prejudices your statutory rights. The guarantee is valid within the territories of the Member States of the European Union and the European Free Trade Area.

To claim on the guarantee, the claim must be in accordance with Black & Decker Terms and Conditions and you will need to submit proof of purchase to the seller or an authorised repair agent. Terms and conditions of the Black & Decker 2 year guarantee and the location of your nearest authorised repair agent can be obtained on the Internet at [www.2helpU.com](http://www.2helpU.com), or by contacting your local Black & Decker office at the address indicated in this manual.

Please visit our website [www.blackanddecker.co.uk](http://www.blackanddecker.co.uk) to register your new Black & Decker product and receive updates on new products and special offers.

**EC declaration of conformity**  
MACHINERY DIRECTIVE

## Verwendungszweck

Ihre BLACK+DECKER BEH550, BEH710 Schlagbohrmaschine wurde zum Bohren von Holz, Metall, Kunststoff und Mauerwerk sowie für Schraubarbeiten entwickelt. Dieses Gerät ist nicht für den gewerblichen Einsatz vorgesehen.

## Sicherheitshinweise

### Allgemeine Sicherheitswarnungen für das Gerät



**Warnung!** Lesen Sie alle **Sicherheitswarnhinweise und alle Anweisungen**. Wenn Sie die folgenden Warnhinweise und Anweisungen nicht beachten, kann es zu elektrischem Schlag, Feuer und/oder schweren Verletzungen kommen.

### Bewahren Sie alle Sicherheitswarnungen und Anweisungen gut auf.

Der Begriff „Elektrowerkzeug“ in den Warnhinweisen bezieht sich auf Ihr stromnetzbetriebenes (kabelgebundenes) Elektrowerkzeug oder auf Ihr akkubetriebenes (kabelloses) Elektrowerkzeug.

### 1. Sicherheit im Arbeitsbereich

- Halten Sie Ihren Arbeitsbereich sauber und gut ausgeleuchtet.** Unaufgeräumte oder dunkle Bereiche führen eher zu Unfällen.
- Verwenden Sie Elektrogeräte nicht in explosionsgefährdeten Bereichen, wie in der Nähe von brennbaren Flüssigkeiten, Gasen oder Staub.** Geräte erzeugen Funken, die den Staub oder die Dämpfe entzünden können.
- Halten Sie Kinder und andere Personen während der Benutzung von dem Elektrowerkzeug fern.** Bei Ablenkung können Sie die Kontrolle verlieren.

### 2. Elektrische Sicherheit

- Der Netzstecker des Geräts muss in die Steckdose passen.** Verändern Sie keinesfalls den Stecker. Verwenden Sie keine Adapterstecker, wenn Sie geerdete Elektrowerkzeuge verwenden. Unveränderte Stecker und passende Steckdosen mindern die Gefahr eines elektrischen Schlages.
- Vermeiden Sie Körperkontakt mit geerdeten Oberflächen wie Rohre, Heizungen, Herde und Kühlschränke.** Es besteht ein erhöhtes Risiko eines Stromschlags, wenn Ihr Körper geerdet ist.
- Halten Sie Geräte von Regen und Nässe fern.** Das Eindringen von Wasser in ein Gerät erhöht Stromschlag führen.

- Verwenden Sie das Kabel ordnungsgemäß.** Verwenden Sie das Kabel niemals zum Tragen, Ziehen des Elektrowerkzeugs oder um den Stecker aus der Steckdose zu ziehen. Halten Sie das Kabel fern von Hitze, Öl, scharfen Kanten oder beweglichen Teilen. Beschädigte oder verhedderte Kabel erhöhen die Gefahr eines elektrischen Schlages.
- Wenn Sie mit einem Elektrowerkzeug im Freien arbeiten, verwenden Sie ein Verlängerungskabel, das für den Einsatz im Freien geeignet ist.** Die Verwendung eines Kabels, das für den Außenbereich geeignet ist, verringert das Risiko eines elektrischen Schlags.
- Ist die Verwendung eines Elektrowerkzeugs in feuchter Umgebung unvermeidbar, sollte eine Stromversorgung mit Fehlerstromschutzschalter (FI-Schalter) verwendet werden.** Ein Fehlerstromschutzschalter verringert Stromschlag führen.

### 3. Sicherheit von Personen

- Verwenden Sie das Gerät aufmerksam und vernünftig.** Verwenden Sie Elektrowerkzeuge nicht, wenn Sie **müde sind oder unter dem Einfluss von Drogen, Alkohol oder Medikamenten** stehen. Ein Moment der Unachtsamkeit beim Gebrauch des Geräts könnte zu Verletzungen führen.
- Verwenden Sie eine geeignete Schutzausrüstung.** Tragen Sie immer einen **Augenschutz**. Schutzausrüstung, wie Staubmaske, rutschfeste Sicherheitsschuhe, Schutzhelm oder Gehörschutz, die dem Einsatz entspricht, verringert das Risiko von Verletzungen.
- Vermeiden Sie eine unbeabsichtigte Inbetriebnahme.** Stellen Sie sicher, dass der **Schalter in der Aus-Position steht, bevor Sie das Gerät mit einer Stromquelle und/oder einem Akku verbinden, es aufnehmen oder tragen.** Der Transport des Geräts mit dem Finger am Schalter oder die Stromversorgung von Elektrowerkzeugen, deren Schalter auf „Ein“ steht, führt zu Unfällen.
- Entfernen Sie Einstell- oder Schraubenschlüssel, bevor Sie das Gerät einschalten.** Werkzeuge oder Schlüssel, die an rotierenden Teilen des Geräts angebracht sind, können zu Verletzungen führen.
- Beugen Sie sich nicht zu weit nach vorne.** Sorgen Sie für einen sicheren Stand und halten Sie jederzeit das Gleichgewicht. Dadurch können Sie das Gerät in unerwarteten Situationen besser kontrollieren.
- Tragen Sie geeignete Kleidung.** Tragen Sie keine weite Kleidung und keinen Schmuck. Halten Sie Ihre Haare, Kleidung und Handschuhe von beweglichen Teilen fern. Weite Kleidung, Schmuck oder lange Haare können von sich bewegenden Teilen erfasst werden.



- g. Wenn Geräte sind für den Anschluss von Staubabsaug- und Sammelsystemen vorgesehen sind, achten Sie darauf, dass diese korrekt angebracht und verwendet werden. Die Verwendung einer Staubabsaugvorrichtung kann Gefährdungen durch Staub verringern.

Das wird sichergestellt, dass die Sicherheit des Geräts erhalten bleibt.

#### Zusätzliche Sicherheitswarnungen für das Gerät



**Warnung!** Zusätzliche Sicherheitswarnungen für Bohrschrauber und Schlagbohrmaschinen.

#### 4. Gebrauch und Pflege von Geräten

- a. Überlasten Sie das Gerät nicht. Verwenden Sie das richtige Werkzeug für Ihre Anwendung. Durch das Arbeiten in dem für das Gerät angegebenen Leistungsbereich erzielen Sie optimale Ergebnisse und erhöhen die Sicherheit.
- b. Verwenden Sie das Gerät nicht, wenn der Ein-/Ausschalter nicht funktioniert. Ein Elektrowerkzeug, das sich nicht mehr ein- oder ausschalten lässt, ist gefährlich und muss repariert werden.
- c. Ziehen Sie den Stecker aus der Steckdose und/oder den Akku aus dem Gerät, bevor Sie Geräteeinstellungen vornehmen, Zubehörteile wechseln oder das Gerät weglegen. Diese Vorsichtsmaßnahmen verhindern die Gefahr eines unbeabsichtigten Starten des Geräts.
- d. Bewahren Sie nicht benutzte Elektrogeräte außerhalb der Reichweite von Kindern auf und erlauben Sie Personen, die nicht mit dem Elektrowerkzeug oder diesen Anweisungen vertraut sind, nicht, das Elektrowerkzeug zu bedienen. Elektrowerkzeuge sind in den Händen nicht geschulter Personen gefährlich.
- e. Halten Sie das Gerät in einem einwandfreien Zustand. Prüfen Sie, ob bewegliche Teile falsch ausgerichtet oder steckengeblieben sind, ob Teile gebrochen sind, oder ob andere Umstände vorliegen, welche die Funktion des Geräts beeinträchtigen können. Bei Beschädigungen lassen Sie das Gerät reparieren, bevor Sie es verwenden. Viele Unfälle entstehen wegen mangelnder Wartung der Werkzeuge.
- f. Halten Sie Schneidgeräte scharf und sauber. Ordnungsgemäß gewartete Schneidwerkzeuge mit scharfen Schneidkanten bleiben seltener stecken und sind leichter zu steuern.
- g. Verwenden Sie Elektrowerkzeuge, Zubehör, Einsatzwerkzeuge usw. entsprechend diesen Anweisungen und unter Berücksichtigung der Arbeitsbedingungen und der auszuführenden Arbeit. Der Gebrauch von Elektrowerkzeugen für andere Zwecke als den vorgesehenen Verwendungszweck kann zu gefährlichen Situationen führen.

- ◆ Tragen Sie bei der Arbeit mit Schlagschraubern einen Gehörschutz. Lärm kann Gehörschäden verursachen.
- ◆ Verwenden Sie die mitgelieferten Zusatzgriffe. Der Verlust der Kontrolle kann Verletzungen verursachen.
- ◆ Halten Sie das Elektrowerkzeug an den isolierten Griffflächen, wenn Arbeiten durchgeführt werden, bei denen das Schneidgerät versteckte Leitungen berühren könnte. Der Kontakt mit stromführenden Leitungen kann auch offen liegende Metallteile am Gerät unter Strom setzen und zu einem Stromschlag führen.
- ◆ Verwenden Sie auf keinen Fall ein Meißelwerkzeug im Bohrmodus. Das Werkzeug setzt sich im Material fest und versetzt die Bohrmaschine in Rotation.
- ◆ Sichern Sie das Werkstück zum Beispiel mit Einspannvorrichtungen auf einer stabilen Plattform. Das Werkstück ist instabil, wenn es mit der Hand oder dem Körper abgestützt wird, was zum Verlust der Kontrolle führen kann.
- ◆ Prüfen Sie vor dem Bohren in Wände, Fußböden oder Decken diese Stellen auf dahinter liegende Kabel oder Rohre.
- ◆ Berühren Sie die Spitze des Bohreinsatzes nicht unmittelbar nach dem Bohren, da diese heiß sein kann.
- ◆ Dieses Gerät darf nicht von Personen (einschließlich Kindern) mit eingeschränkten körperlichen, sensorischen oder geistigen Fähigkeiten oder mangelnder Erfahrung und Wissen in Bezug auf dessen Gebrauch bedient werden, es sei denn, sie werden bei der Verwendung des Geräts von einer erfahrenen Person beaufsichtigt oder angeleitet. Kinder müssen beaufsichtigt werden, um sicherzustellen, dass sie nicht mit dem Gerät spielen.
- ◆ Die bestimmungsgemäße Verwendung ist in dieser Betriebsanleitung beschrieben. Die Verwendung von Zubehör- oder Anbauteilen, die nicht in dieser Anleitung empfohlen werden, sowie die Bedienung des Geräts in Abweichung von den in dieser Anleitung beschriebenen Verfahren können zu Verletzungen und/oder Sachschäden führen.
- ◆ Verwenden Sie eine Atemschutz- oder Staubmaske, wenn bei der Arbeit Staub oder Splinter entstehen können.

#### 5. Service

- a. Lassen Sie das Gerät nur von qualifiziertem Fachpersonal und unter Verwendung identischer Ersatzteile reparieren.

## Sicherheit anderer Personen

- ◆ Dieses Gerät darf nicht von Personen (einschließlich Kindern) mit eingeschränkten physischen, sensorischen oder mentalen Fähigkeiten oder ohne ausreichende Erfahrung oder Kenntnisse verwendet werden, außer wenn diese Personen von einer Person, die für ihre Sicherheit verantwortlich ist, bei der Verwendung des Geräts beaufsichtigt oder mit ihm vertraut gemacht werden.
- ◆ Kinder müssen beaufsichtigt werden, um sicherzustellen, dass sie nicht mit dem Gerät spielen.

## Restrisiken.

Beim Gebrauch dieses Geräts verbleiben zusätzliche Restrisiken, die möglicherweise nicht in den Sicherheitswarnungen genannt werden. Diese Risiken bestehen beispielsweise bei Missbrauch oder längerem Gebrauch.

Auch bei der Einhaltung der entsprechenden Sicherheitsvorschriften und der Verwendung aller Sicherheitsgeräte bestehen weiterhin bestimmte Restrisiken. Diese sind:

- ◆ Verletzungen, die durch das Berühren von sich drehenden/bewegenden Teilen verursacht werden.
- ◆ Verletzungen, die durch das Austauschen von Teilen, Messern oder Zubehör verursacht werden.
- ◆ Der längere Gebrauch eines Geräts kann Verletzungen zur Folge haben. Legen Sie bei längerem Gebrauch regelmäßige Pausen ein.
- ◆ Schwerhörigkeit.
- ◆ Gesundheitsrisiken durch das Einatmen von Staub beim Gebrauch des Geräts (z. B. bei Holzarbeiten, insbesondere Eiche, Buche und Pressspan)

## Vibration

Die in den Abschnitten "Technische Daten" und "EG-Konformitätserklärung" angegebenen Werte für die Vibrationsemission wurden mit einer Standard-Prüfmethode nach EN 60745 ermittelt und können zum Vergleich verschiedener Geräte herangezogen werden. Außerdem kann mit Hilfe dieses Werts die Belastung bei Verwendung des Geräts schon im Voraus eingeschätzt werden.

**Warnung!** Die bei Verwendung des Geräts auftretende Vibrationsemission hängt von der Art des Gerätegebrauchs ab und kann dementsprechend von dem angegebenen Wert abweichen. Gegebenenfalls kann die Vibration über dem angegebenen Wert liegen.

Für die Ermittlung der Vibrationsbelastung müssen die tatsächlichen Einsatzbedingungen und Verwendungen des Geräts während des gesamten Arbeitsgangs berücksichtigt werden, einschließlich der Zeiten, wenn das Gerät nicht verwendet oder im Leerlauf betrieben wird.

Diese Werte werden benötigt, um die gemäß 2002/44/EG erforderlichen Sicherheitsmaßnahmen zum Schutz von Personen festlegen zu können.

## Etiketten am Werkzeug

Am Gerät sind die folgenden Piktogramme inkl. Datumscode angebracht:



**Warnung!** Lesen Sie vor Gebrauch die Anleitung. Andernfalls besteht Verletzungsgefahr.



Tragen Sie bei der Arbeit mit Schlagschraubern einen Gehörschutz. Lärm kann Gehörschäden verursachen.

## Elektrische Sicherheit



Dieses Gerät ist schutzisoliert, daher ist keine Erdleitung erforderlich. Überprüfen Sie immer, dass die Stromversorgung der Spannung auf dem Typenschild entspricht.

- ◆ Wenn das Netzkabel beschädigt ist, muss es vom Hersteller oder einer autorisierten BLACK+DECKER Kundendienststelle ausgetauscht werden, um Gefahren zu vermeiden.

## Merkmale

Dieses Gerät verfügt über einige oder alle der folgenden Merkmale:

1. Drehzahl-Regelschalter
2. Sicherungsknopf
3. Vor-/Zurückwahlschalter
4. Betriebsmodussschalter
5. Bohrfutter
6. Bohrfuttersicherung
7. Zusatzhandgriff

## Montage

**Warnung!** Vergewissern Sie sich vor der Montage, dass das Gerät ausgeschaltet ist und der Netzstecker gezogen wurde.

## Anbringen des seitlichen Haltegriffs (Abb. A)

- ◆ Drehen Sie den Griff gegen den Uhrzeigersinn, bis Sie den seitlichen Haltegriff (7) auf das Vorderteil des Werkzeugs schieben können.
- ◆ Drehen Sie den seitlichen Haltegriff in die gewünschte Position.
- ◆ Befestigen Sie den seitlichen Haltegriff, indem Sie den Griff im Uhrzeigersinn drehen.

## Anbringen von Werkzeugen (Abb. B)

- ◆ Drücken Sie auf die Bohrfuttersicherung (6).
- ◆ Öffnen Sie das Bohrfutter, indem Sie die Hülse (5) gegen den Uhrzeigersinn drehen.

- ◆ Setzen Sie einen Einsatz (8) in das Bohrfutter ein.
- ◆ Spannen Sie das Bohrfutter, indem Sie die Hülse im Uhrzeigersinn drehen.

### Verwendung

**Warnung!** Beschleunigen Sie den Arbeitsvorgang nicht mit Gewalt. Vermeiden Sie eine Überlastung.

**Warnung!** Prüfen Sie vor dem Bohren in Wände, Fußböden oder Decken diese Stellen auf dahinterliegende Kabel oder Rohre.

### Ein- und Ausschalten (Abb. C)

- ◆ Um das Gerät einzuschalten, drücken Sie den Ein-/Ausschalter mit Geschwindigkeitsregler (1). Die Leistung des Geräts ist davon abhängig, wie tief Sie den Schalter hineindrücken.
- ◆ Für Dauerbetrieb drücken Sie den Verriegelungsknopf (2) und lassen den Geschwindigkeitsregler los. Diese Option kann bei der Rückwärtsdrehung nicht verwendet werden.
- ◆ Um das Gerät auszuschalten, lassen Sie den Geschwindigkeitsregler los. Um das Gerät auszuschalten, wenn es im Dauerbetrieb läuft, drücken Sie den Geschwindigkeitsregler erneut und lassen ihn wieder los.

### Auswählen der Drehrichtung (Abb. D)

Verwenden Sie zum Bohren und Anziehen von Schrauben die Vorwärtsdrehung (im Uhrzeigersinn). Verwenden Sie zum Entfernen von Schrauben und verklemmten Bohreinsätzen die Rückwärtsdrehung.

- ◆ Drücken Sie den Vor-/Zurückwahlschalter (3) nach links, um die Vorwärtsdrehung einzustellen.
- ◆ Drücken Sie den Vor-/Zurückwahlschalter nach rechts, um die Rückwärtsdrehung einzustellen.

**Warnung!** Wechseln Sie auf keinen Fall die Drehrichtung, während der Motor läuft.

### Auswahl des Bohrmodus (Abb. E)

- ◆ Zum Schlagbohren in Mauerwerk und Beton stellen Sie den Betriebsmodussschalter (4) auf die Einstellung **T**.
- ◆ Wenn Sie in Stahl, Holz oder Kunststoffe bohren oder Schraubarbeiten ausführen möchten, stellen Sie den Betriebsmodussschalter (4) auf die Einstellung **1**.

### Zubehör

Das verwendete Zubehör hat wesentlichen Einfluss auf die Leistung des Geräts. Zubehöerteile von BLACK+DECKER erfüllen höchste Qualitätsstandards und wurden speziell für die Verwendung mit Ihrem Gerät entwickelt. Bei Verwendung dieses Zubehörs erhalten Sie stets optimale Ergebnisse.

### Wartung

Ihr BLACK+DECKER Gerät (mit und ohne Netzkabel) wurde im Hinblick auf eine lange Lebensdauer und einen möglichst geringen Wartungsaufwand entwickelt.

Ein kontinuierlicher, zufriedenstellender Betrieb hängt von der richtigen Pflege des Gerätes und seiner regelmäßigen Reinigung ab.

**Warnung!** Vor Wartungs- oder Reinigungsarbeiten an Elektrowerkzeugen mit/ohne Kabel:

- ◆ Schalten Sie das Gerät aus, und ziehen Sie den Netzstecker.
- ◆ Oder schalten Sie das Gerät aus und entfernen Sie den Akku vom Gerät/Werkzeug, wenn das Gerät/Werkzeug über einen separaten Akku verfügt.
- ◆ Wenn der Akku integriert ist, entladen Sie diesen vor dem Abschalten vollständig.
- ◆ Ziehen Sie das Ladegerät aus der Netzsteckdose, bevor Sie es reinigen. Das Ladegerät benötigt keine Wartung, es sollte jedoch regelmäßig gereinigt werden.
- ◆ Reinigen Sie regelmäßig die Lüftungsschlitze des Geräts/Werkzeugs/Ladegeräts mit Hilfe einer weichen Bürste oder eines trockenen Tuchs.
- ◆ Reinigen Sie das Motorgehäuse regelmäßig mit einem feuchten Tuch. Verwenden Sie keine scheuernden Reinigungsmittel oder Reinigungsmittel auf Lösungsmittelbasis.
- ◆ Öffnen Sie regelmäßig das Bohrfutter, und entfernen Sie durch Klopfen Staub aus dem Inneren des Geräts (falls zutreffend).

### Austauschen des Netzsteckers (nur Großbritannien und Irland)

Wenn ein neuer Netzstecker angebracht werden muss:

- ◆ Sorgen Sie für eine sichere Entsorgung des alten Steckers.
- ◆ Verbinden Sie die braune Leitung mit dem spannungsführenden Anschluss des Steckers.
- ◆ Verbinden Sie den blauen Draht mit dem neutralen Anschluss.

**Warnung!** Stellen Sie keine Verbindung mit dem Erdungsanschluss her. Befolgen Sie die Montageanweisungen, die mit hochwertigen Steckern mitgeliefert werden. Empfohlene Sicherung: 5 A.

### Umweltschutz



Getrennte Entsorgung. Produkte und Akkus mit diesem Symbol dürfen nicht mit dem normalen Hausmüll entsorgt werden.

Produkte und Akkus enthalten Materialien, die wiederverwertet werden können, um den Bedarf an Rohstoffen zu verringern.

Bitte recyceln Sie elektrische Produkte und Akkus gemäß den örtlichen Bestimmungen.

Weitere Informationen finden Sie auf [www.2helpU.com](http://www.2helpU.com)

## Technische Daten

		BEH550	BEH710
Eingangsspannung	$V_{AC}$	230	230
Leerlaufdrehzahl	$\text{min}^{-1}$	0 - 2800	0 - 2800
Schlagzahl	$\text{min}^{-1}$	0 - 47600	0 - 47600
Gewicht	kg	1,7	1,76
<b>Maximale Bohrtiefe</b>			
Beton	mm	13	13
Stahl	mm	13	13
Holz	mm	25	25

## BEH550 Schalldruckpegel gemäß EN 60745:

Schalldruck ( $L_{pA}$ ) 93,5 dB(A), Unsicherheitsfaktor (K) 3 dB(A)Schalleistung ( $L_{WA}$ ) 104,5 dB(A), Unsicherheitsfaktor (K) 3 dB(A)

## BEH710 Schalldruckpegel gemäß EN 60745:

Schalldruck ( $L_{pA}$ ) 95,5 dB(A), Unsicherheitsfaktor (K) 3 dB(A)Schalleistung ( $L_{WA}$ ) 106,5 dB(A), Unsicherheitsfaktor (K) 3 dB(A)

## BEH550 Gesamtvibration (Triax-Vektorsumme) gemäß EN 60745:

Schlagbohren in Beton ( $a_{h, D}$ ) 14,8  $\text{m/s}^2$ , Unsicherheitsfaktor (K) 1,5  $\text{m/s}^2$ Metallbohren ( $a_{h, D}$ ) 2,8  $\text{m/s}^2$ , Unsicherheitsfaktor (K) 1,5  $\text{m/s}^2$ 

## BEH710 Gesamtvibration (Triax-Vektorsumme) gemäß EN 60745:

Schlagbohren in Beton ( $a_{h, D}$ ) 16,2  $\text{m/s}^2$ , Unsicherheitsfaktor (K) 1,5  $\text{m/s}^2$ Metallbohren ( $a_{h, D}$ ) 3,5  $\text{m/s}^2$ , Unsicherheitsfaktor (K) 1,5  $\text{m/s}^2$ 

## EU-Konformitätserklärung

## MASCHINENRICHTLINIE

BEH550, BEH710 Schlagbohrmaschine

Black & Decker erklärt, dass die in den technischen Daten beschriebenen Geräte übereinstimmen mit:

EN60745-1:2009+A11:2010, EN60745-2-1:2010.

Diese Produkte entsprechen außerdem den Richtlinien 2014/30/EU, 2006/42/EC und 2011/65/EU.

Weitere Informationen erhalten Sie von Black & Decker unter der folgenden Adresse. Diese befindet sich auch auf der Rückseite dieser Anleitung.

Der Unterzeichnete ist verantwortlich für die Zusammenstellung der technischen Daten und gibt diese Erklärung im Namen von Black & Decker ab.



R. Laverick  
Director of Engineering  
Black & Decker Europe, 210 Bath Road, Slough,  
Berkshire, SL1 3YD  
Vereinigtes Königreich  
14.12.2017

## Garantie

Black & Decker vertraut auf die Qualität der eigenen Geräte und bietet dem Käufer eine außergewöhnliche Garantie von 24 Monaten ab Kaufdatum. Diese Garantie versteht sich unbeschadet der gesetzlichen Gewährleistungsansprüche und schränkt diese keinesfalls ein. Diese Garantie gilt innerhalb der Staatsgebiete der Mitgliedstaaten der Europäischen Union und der Europäischen Freihandelszone.

Zur Inanspruchnahme dieser Garantie muss sie den allgemeinen Geschäftsbedingungen von Black & Decker entsprechen und dem Verkäufer bzw. der Vertragswerkstatt ist ein Kaufnachweis vorzulegen. Die Bedingungen für die 2-jährige Garantie von Black & Decker und den Standort Ihrer nächstgelegenen Vertragswerkstatt finden Sie im Internet unter [www.2helpU.com](http://www.2helpU.com) oder indem Sie sich an die lokale Black & Decker-Niederlassung wenden, deren Adresse Sie in dieser Anleitung finden.

Ihr neues Stanley FatMax-Produkt können Sie auf unserer Website unter [www.blackanddecker.de](http://www.blackanddecker.de) registrieren. Dort erhalten Sie auch Informationen über neue Produkte und Sonderangebote.

## Utilisation prévue

Votre perceuse à percussion BLACK+DECKER BEH550, BEH710 a été conçue pour percer le bois, le métal, le plastique, la maçonnerie ainsi que pour effectuer des opérations de vissage. Cet outil est destiné à un usage grand public uniquement.

## Consignes de sécurité

### Avertissements de sécurité générale liés aux outils électriques



**Avertissement !** Lisez tous les avertissements et toutes les consignes de sécurité. Le non-respect des avertissements et des instructions listées ci-dessous peut conduire à des chocs électriques, des incendies et/ou de graves blessures.

Conservez tous les avertissements et toutes les instructions afin de pouvoir vous y référer dans le futur.

Le terme "outil électrique" mentionné dans les avertissements fait référence aux outils électriques alimentés sur secteur (avec fil) ou sur batterie (sans fil)

#### 1. Sécurité de la zone de travail

- Maintenez la zone de travail propre et bien éclairée**  
Les zones encombrées ou sombres sont propices aux accidents.
- Ne faites pas fonctionner les outils électriques dans des atmosphères explosives, comme en présence de liquides, de gaz ou de poussières inflammables par exemple.** Les outils électriques créent des étincelles qui peuvent enflammer les poussières et les fumées.
- Maintenez les enfants et autres personnes éloignés lorsque les outils électriques sont en marche.** Toute distraction peut vous faire perdre le contrôle de l'outil.

#### 2. Sécurité électrique

- Les prises des outils électriques doivent correspondre à la prise de courant murale. Ne modifiez jamais la prise d'aucune sorte.** N'utilisez aucun adaptateur de prise avec des outils électriques reliés à la terre. L'utilisation de prises d'origine et de prises murales appropriées permet de réduire le risque de choc électrique.
- Évitez tout contact physique avec des surfaces reliées à la terre comme des tuyaux, des radiateurs, des fours et des réfrigérateurs par exemple.** Le risque de choc électrique augmente si votre corps est relié à la terre.
- N'exposez pas les outils électriques à la pluie, ni à l'humidité.** La pénétration d'eau dans un outil électrique augmente le risque de choc électrique.

- Ne tirez pas sur le cordon d'alimentation. N'utilisez jamais le cordon pour transporter, tirer ou débrancher l'outil électrique. Maintenez le cordon éloigné de la chaleur, de substances grasses, de bords tranchants ou de pièces mobiles.** Les cordons endommagés ou emmêlés augmentent le risque de choc électrique.
- Si vous utilisez un outil électrique à l'extérieur, utilisez une rallonge homologuée pour les travaux extérieurs.** L'utilisation d'une rallonge homologuée pour les travaux en extérieur réduit le risque de choc électrique.
- Si l'utilisation d'un outil électrique dans un endroit humide est inévitable, utilisez une alimentation électrique protégée par un disjoncteur différentiel.** L'utilisation d'un disjoncteur différentiel réduit le risque de choc électrique.

#### 3. Sécurité des personnes

- Restez vigilant, surveillez ce que vous faites. Faites preuve de bon sens quand vous utilisez un outil électrique. N'utilisez pas d'outils électriques si vous êtes fatigué ou sous l'influence de drogue, d'alcool ou de médicaments.** Tout moment d'inattention pendant l'utilisation d'un outil électrique peut entraîner de graves blessures.
- Portez des équipements de protection individuelle. Portez toujours une protection oculaire.** Les équipements de protection comme les masques anti-poussières, les chaussures de sécurité antidérapantes, les casques ou les protections auditives utilisés à bon escient réduisent le risque de blessures.
- Empêchez tout démarrage par inadvertance. Assurez-vous que l'interrupteur est en position Arrêt avant de raccorder l'outil à l'alimentation électrique et/ou au bloc-batterie ou avant de ramasser ou de transporter l'outil.** Le fait de transporter les outils électriques du doigt sur l'interrupteur ou d'alimenter les outils électriques dont l'interrupteur est déjà en position Marche augmente les risques d'accidents.
- Retirez toute clé ou pince de réglage avant d'allumer l'outil électrique.** Une clé ou une pince restée fixée à la partie rotative de l'outil électrique peut engendrer des blessures.
- Ne présumez pas de vos forces. Gardez les pieds bien ancrés au sol et conservez votre équilibre en permanence.** Cela permet de mieux maîtriser l'outil électrique en cas d'imprévus.
- Portez des vêtements appropriés. Ne portez aucun vêtement ample ou bijou. Gardez vos cheveux, vos vêtements et vos gants éloignés des pièces mobiles.** Les vêtements amples, les bijoux ou les cheveux longs peuvent être happés par les pièces mobiles.

- g. Si des dispositifs pour l'extraction des poussières ou des installations pour la récupération sont **présents, assurez-vous qu'ils sont correctement raccordés et utilisés**. L'utilisation de dispositifs récupérateurs de poussières réduit les risques liés aux poussières.

#### 4. Utilisation et entretien des outils électriques

- a. **Respectez la capacité de l'outil. Utilisez le bon outil électrique adapté pour votre intervention.** Un outil adapté fonctionne mieux, de façon plus sûre et à la cadence pour laquelle il a été conçu.
- b. **N'utilisez pas l'outil électrique si son interrupteur Marche/Arrêt est défectueux.** Tout appareil électrique qui ne peut plus être commandé par son interrupteur est dangereux et doit être réparé.
- c. **Débranchez la prise du secteur et/ou le bloc-batterie de l'outil électrique avant d'effectuer tout réglage, de changer un accessoire ou de ranger l'outil électrique.** Ces mesures de sécurité préventives réduisent le risque de démarrage accidentel de l'outil électrique.
- d. **Rangez les outils électriques non utilisés hors de portée des enfants et ne laissez aucune personne ne connaissant pas ces outils ou leurs instructions d'utilisation les faire fonctionner.** Les outils électriques peuvent être dangereux dans les mains d'utilisateurs inexpérimentés.
- e. **Entretenez vos outils électriques. Vérifiez que les pièces mobiles sont alignées correctement et qu'elles ne sont pas coincées. Vérifiez qu'il n'y a pas de pièces cassées ou toute autre condition qui pourrait nuire au bon fonctionnement de l'outil électrique. En cas de dommage, faites réparer l'outil électrique avant de le réutiliser.** De nombreux accidents sont provoqués par des outils mal entretenus.
- f. **Maintenez les organes de coupe affûtés et propres.** Des organes de coupe bien entretenus et affûtés sont moins susceptibles de rester coincés et sont plus faciles à contrôler.
- g. **Utilisez les outils électriques, les accessoires et les embouts d'outil conformément à ces instructions, en tenant compte des conditions de travail, ainsi que du travail à effectuer.** L'utilisation d'un outil électrique à des fins autres que celles pour lesquelles il a été prévu # engendre des situations dangereuses.

#### 5. Révision/Réparation

- a. **Faites réparer votre outil par une personne qualifiée n'utilisant que des pièces détachées d'origine.** Ceci permet de garantir la sûreté de l'outil électrique.

#### Avertissements de sécurité supplémentaires liées aux outils électriques



**Avertissement !** Avertissement supplémentaires concernant les perceuses et perceuses à percussion.

- ◆ **Portez des protections auditives pour utiliser une perceuse à percussion.** L'exposition au bruit peut provoquer une perte de l'ouïe.
- ◆ **Utilisez les poignées auxiliaires fournies avec l'outil.** La perte de contrôle peut provoquer des blessures.
- ◆ **Tenez l'outil par ses surfaces de préhension isolées lorsque vous travaillez dans des zones où l'organe de coupe peut entrer en contact avec des fils électriques cachés.** Tout contact de l'accessoire de coupe avec un fil sous tension peut mettre les parties métalliques exposées de l'outil sous tension et provoquer un choc électrique à l'utilisateur.
- ◆ **N'utilisez jamais un burin en mode rotatif.** L'accessoire pourrait se tordre à l'intérieur de la matière et faire tourner la perceuse.
- ◆ **Utilisez des pinces ou tout autre moyen pratique pour fixer et soutenir l'ouvrage sur une plateforme stable.** Tenir l'ouvrage à la main ou contre votre corps le rend instable et peut conduire à une perte de contrôle.
- ◆ **Avant de percer les murs, les planchers ou les plafonds, vérifiez l'emplacement des fils électriques et des canalisations.**
- ◆ **Évitez de toucher le bout d'un foret juste après avoir percé.** Il peut être chaud.
- ◆ **Cet outil ne peut pas être utilisé par des personnes (y compris des enfants) ayant des capacités mentales, sensorielles ou physiques réduites, ou celles manquant d'expérience et de connaissances, à moins qu'elles ne soient encadrées ou qu'elles n'aient été formées à l'utilisation de l'outil par une personne responsable de leur sécurité.** Les enfants doivent être surveillés pour garantir qu'ils ne jouent pas avec l'appareil.
- ◆ **L'usage prévu est décrit dans ce manuel d'instructions.** L'utilisation d'un accessoire ou d'un équipement non spécifié ou l'utilisation de cet outil à d'autres fins que celles recommandées dans ce manuel d'utilisation présentent un risque de blessures et/ou de dommages matériels.
- ◆ **Utilisez un masque anti-poussières dès que le travail est source de poussière ou de projection de débris.**

#### Sécurité des personnes

- ◆ L'utilisation de cet appareil n'est pas prévue pour les personnes (y compris les enfants) ayant des capacités physiques, sensorielles ou mentales limitées, ou qui manquent d'expérience et de connaissances, sauf si ces personnes sont surveillées ou instruites sur l'utilisation de l'appareil par une personne responsable de leur sécurité.

- ◆ Les enfants doivent être surveillés pour garantir qu'ils ne jouent pas avec l'appareil.

### Risques résiduels.

Certains risques résiduels autres que ceux mentionnés dans les avertissements sur la sécurité peuvent survenir en utilisant l'outil. Ces risques peuvent être provoqués par une utilisation incorrecte, prolongée, etc.

Malgré l'application des normes de sécurité pertinentes et la mise en œuvre de dispositifs de sécurité, certains risques résiduels ne peuvent pas être évités. Ils comprennent :

- ◆ Les blessures dues au contact avec des pièces mobiles/ en rotation.
- ◆ Les blessures dues au changement de pièces, de lames ou d'accessoires.
- ◆ Les blessures dues à l'utilisation prolongée d'un outil. Lorsque vous utilisez un outil quel qu'il soit pendant de longues périodes, assurez-vous de faire des pauses régulières.
- ◆ Troubles de l'ouïe.
- ◆ Risques pour la santé dus à l'inhalation de poussières produites pendant l'utilisation de l'outil (exemple : travail avec du bois, surtout le chêne, le hêtre et les panneaux en MDF).

### Vibrations

La valeur des émissions de vibrations déclarée dans les caractéristiques techniques et la déclaration de conformité a été mesurée conformément à la méthode de test standard de la norme EN 60745 et peut être utilisée pour comparer un outil à un autre. La valeur des émissions de vibrations déclarée peut aussi être utilisée pour une évaluation préliminaire à l'exposition.

**Avertissement !** En fonction de la manière dont l'outil est utilisé, la valeur des émissions de vibrations réelles pendant l'utilisation de l'outil peut différer de la valeur déclarée. Le niveau des vibrations peut dépasser le niveau déclaré.

Quand l'exposition aux vibrations est évaluée afin de déterminer les mesures de sécurité requises par la norme 2002/44/CE pour protéger les personnes utilisant régulièrement des outils électriques, cette estimation doit tenir compte des conditions réelles d'utilisation et de la façon dont l'outil est utilisé. Il faut également tenir compte de toutes les composantes du cycle de fonctionnement comme la durée pendant laquelle l'outil est arrêté et quand il fonctionne au ralenti, ainsi que la durée du déclenchement.

### Étiquettes apposées sur l'outil

Les pictogrammes qui suivent figurent sur l'outil avec le code date :



**Avertissement !** Afin de réduire le risque de blessures, l'utilisateur doit lire le manuel d'utilisation.



Portez des protections auditives pour utiliser une perceuse à percussion. L'exposition au bruit peut engendrer la perte de l'ouïe.

### Sécurité électrique



Cet outil est doublement isolé et ne nécessite donc aucun fil de liaison à la terre. Assurez-vous toujours que l'alimentation électrique correspond à la tension mentionnée sur la plaque signalétique.

- ◆ Si le cordon d'alimentation est endommagé, il doit être remplacé par le fabricant ou un centre d'assistance BLACK+DECKER afin d'éviter tout risque.

### Caractéristiques

Cet appareil présente tout ou partie des caractéristiques suivantes.

1. Interrupteur variateur de vitesse
2. Levier de verrouillage
3. Commutateur de sens de rotation avant/arrière
4. Sélecteur du mode de perçage
5. Mandrin
6. Dispositif de verrouillage du mandrin
7. Poignée latérale

### Assemblage

**Avertissement !** Avant l'assemblage, assurez-vous que l'outil est éteint et débranché.

### Installation de la poignée latérale (Fig. A)

- ◆ Tournez le manche de la poignée dans le sens inverse des aiguilles d'une montre jusqu'à pouvoir glisser la poignée latérale (7) sur l'avant de l'outil.
- ◆ Tournez la poignée latérale dans la position désirée.
- ◆ Serrez la poignée latérale en tournant son manche dans le sens des aiguilles d'une montre.

### Mise en place d'un accessoire (Fig. B)

- ◆ Appuyez sur le dispositif de verrouillage du mandrin (6)
- ◆ Ouvrez le mandrin en tournant le manchon (5) dans le sens inverse des aiguilles d'une montre.
- ◆ Insérez la tige du foret/embout (8) dans le mandrin.
- ◆ Serrez le mandrin en tournant le manchon dans le sens des aiguilles d'une montre.

### Utilisation

**Avertissement !** Laissez l'outil fonctionner à son propre rythme. Ne le poussez pas au-delà de sa capacité.

**Avertissement !** Avant de percer un mur, un plancher ou un plafond, contrôlez l'emplacement d'éventuels fils électriques ou canalisations cachés.

## Mise en marche et extinction (Fig. C)

- ◆ Pour mettre l'outil en marche, enfoncez l'interrupteur sélecteur de vitesse (1). La vitesse de l'outil dépend du degré d'enfoncement de l'interrupteur.
- ◆ Pour que l'outil fonctionne en continu, enfoncez le bouton de verrouillage (2) et relâchez l'interrupteur variateur de vitesse. Cette option ne fonctionne pas en sens de rotation arrière.
- ◆ Pour arrêter l'outil, relâchez le sélecteur de vitesse. Pour éteindre l'outil quand il est en mode de fonctionnement continu, appuyez à nouveau sur l'interrupteur variateur de vitesse et relâchez-le.

## Sélection du sens de rotation (Fig. D)

Pour percer et visser, utilisez le sens de rotation avant (sens des aiguilles d'une montre). Pour desserrer des vis ou retirer un foret bloqué, utilisez le sens de rotation arrière (sens inverse des aiguilles d'une montre).

- ◆ Pour choisir le sens de rotation avant, poussez le curseur marche avant/arrière (3) vers la gauche.
- ◆ Pour choisir le sens de rotation arrière, poussez le curseur marche avant/arrière vers la droite.

**Avertissement !** Ne changez jamais le sens de rotation pendant que le moteur tourne.

## Choisir le mode de perçage (Fig. E)

- ◆ Pour le perçage à percussion pour les éléments de maçonnerie ou le béton par exemple, placez le sélecteur de mode de perçage (4) sur la position **T**.
- ◆ Pour percer l'acier, le bois et le plastique ou pour le visage, placez le sélecteur de mode (4) sur la position **1**.

## Accessoires

Les performances de votre outil dépendent de l'accessoire utilisé.

Les accessoires BLACK+DECKER sont élaborés selon des normes de qualité supérieures et ils sont conçus pour améliorer les performances de votre outil. L'utilisation de ces accessoires vous permet de tirer le meilleur de votre outil.

## Maintenance

Votre appareil/outil sans fil/avec fil BLACK+DECKER a été conçu pour fonctionner pendant longtemps avec un minimum d'entretien. Le fonctionnement continu et satisfaisant de l'appareil dépend de son bon entretien et de son nettoyage régulier.

**Avertissement !** Avant de réaliser toute opération de maintenance sur un outil électrique avec câble/sans fil :

- ◆ Éteignez et débranchez l'appareil/outil.
- ◆ Ou éteignez l'appareil/l'outil et retirez-en la batterie s'il dispose d'un bloc-batterie séparé.

- ◆ Ou déchargez complètement la batterie si elle est intégrée, puis éteignez l'outil.
- ◆ Débranchez le chargeur avant de le nettoyer. Votre chargeur ne nécessite aucun entretien particulier, à l'exception d'un nettoyage régulier.
- ◆ Nettoyez régulièrement les fentes d'aération de votre appareil/outil/chargeur à l'aide d'une brosse souple ou d'un chiffon sec.
- ◆ Nettoyez régulièrement le bloc-moteur à l'aide d'un chiffon humide. N'utilisez pas de détergents abrasifs ou à base de solvants.
- ◆ Ouvrez régulièrement le mandrin et tapotez dessus pour éliminer la poussière à l'intérieur (lorsqu'il est installé).

## Remplacement de la prise secteur (RU et Irlande uniquement)

Si une nouvelle prise secteur doit être installée :

- ◆ Mettez au rebut la vieille prise.
- ◆ Branchez le fil brun dans la borne de phase de la nouvelle prise.
- ◆ Branchez le fil bleu à la borne neutre.

**Avertissement !** Aucun branchement ne doit être fait à la borne de terre. Suivez les instructions d'installation fournies avec les prises de bonne qualité. Fusible recommandé : 5 A.

## Protection de l'environnement



Tri sélectif. Les produits et batteries marqués de ce symbole ne doivent pas être jetés avec les déchets ménagers.

Les produits et batteries contiennent des matières qui peuvent être récupérées et recyclées afin de réduire la demande en matières premières.

Veillez à recycler les produits électriques et les piles et batteries conformément aux dispositions locales en vigueur. Pour plus d'informations, consultez le site [www.2helpU.com](http://www.2helpU.com)

## Caractéristiques techniques

		BEH550	BEH710
Tension d'entrée	$V_{CA}$	230	230
Vitesse à vide	$\text{min}^{-1}$	0 - 2800	0 - 2800
Cadence de l'impact	$\text{min}^{-1}$	0 - 47600	0 - 47600
Poids	kg	1,7	1,76
Capacité maxi de perçage			
Béton	mm	13	13
Acier	mm	13	13
Bois	mm	25	25

BEH550 Niveau de pression sonore selon la norme EN 60745 :

Pression sonore ( $L_{pA}$ ) 93,5 dB(A), incertitude (K) 3 dB(A)

Puissance sonore ( $L_{WA}$ ) 104,5 dB(A), incertitude (K) 3 dB(A)



BEH710 Niveau de pression sonore selon la norme EN 60745 :
Pression sonore ( $L_{pWA}$ ) 95,5 dB(A), incertitude (K) 3 dB(A)
Puissance sonore ( $L_{WA}$ ) 106,5 dB(A), incertitude (K) 3 dB(A)
BEH550 Valeurs totales des vibrations (somme vectorielle triaxiale) selon la norme EN 60745 :
Perçage à percussion, béton ( $a_{h,1D}$ ) 14,8 m/s <sup>2</sup> , incertitude (K) 1,5 m/s <sup>2</sup>
Perçage du métal ( $a_{h,1D}$ ) 2,8 m/s <sup>2</sup> , incertitude (K) 1,5 m/s <sup>2</sup>
BEH710 Valeurs totales des vibrations (somme vectorielle triaxiale) selon la norme EN 60745 :
Perçage à percussion, béton ( $a_{h,1D}$ ) 16,2 m/s <sup>2</sup> , incertitude (K) 1,5 m/s <sup>2</sup>
Perçage du métal ( $a_{h,1D}$ ) 3,5 m/s <sup>2</sup> , incertitude (K) 1,5 m/s <sup>2</sup>

## Déclaration de conformité CE

### DIRECTIVES MACHINES

BEH550, BEH710 Perceuse à percussion

Black & Decker déclare que les produits décrits dans les «Caractéristiques techniques» sont conformes aux normes : EN60745-1:2009+A11:2010, EN60745-2-1:2010.

Ces produits sont également conformes aux Directives 2014/30/UE, 2006/42/EC et 2011/65/EU.

Pour plus de détails, veuillez contacter Black & Decker à l'adresse suivante ou consultez la dernière page du manuel.

Le soussigné est responsable de la compilation des données de la fiche technique et fait cette déclaration au nom de Black & Decker.



R. Laverick  
 Directeur Ingénierie  
 Black & Decker Europe, 210 Bath Road, Slough,  
 Berkshire, SL1 3YD  
 Royaume-Uni  
 14/12/2017

## Garantie

Black & Decker assure la qualité de ses produits et offre une garantie de 24 mois aux utilisateurs, à partir de la date d'achat. Cette garantie s'ajoute à vos droits légaux auxquels elle ne porte aucunement préjudice. Cette garantie est valable au sein des territoires des États membres de l'Union Européenne et au sein de la Zone européenne de libre-échange.

Pour prétendre à la garantie, la réclamation doit être en conformité avec les conditions générales de Black & Decker et vous devez fournir une preuve d'achat au vendeur ou au réparateur agréé. Les conditions générales de la garantie de 2 ans Black & Decker ainsi que l'adresse du réparateur agréé le plus proche sont disponibles sur le site Internet [www.2helpU.com](http://www.2helpU.com) ou en contactant votre agence Black & Decker locale à l'adresse indiquée dans ce manuel.

Accédez à notre site Internet [www.blackanddecker.co.uk](http://www.blackanddecker.co.uk) pour enregistrer votre nouveau produit Black & Decker et être informé des nouveaux produits et des offres spéciales.

(Traduction de la notice originale)

ITALIANO

## Usò previsto

Il trapano a percussione BLACK+DECKER BEH550, BEH710 è stato progettato per trapanare legno, metallo, plastica e murature oltre che per avvitare. Questo utensile è destinato esclusivamente all'uso privato.

## Istruzioni di sicurezza

### Avvertenze di sicurezza generali per gli elettrotensili



**Avvertenza! Leggere attentamente tutte le avvertenze e le istruzioni di sicurezza.** Il mancato rispetto delle avvertenze e delle istruzioni seguenti può dar luogo a scosse elettriche, incendi e/o lesioni gravi.

Conservare tutti gli avvertimenti e le istruzioni per consultazioni future. Il termine "elettrotensile" nelle avvertenze si riferisce all'elettrotensile (con cavo) o con funzionamento a batteria (cordless).

### 1. Sicurezza nell'area di lavoro

- Mantenere pulita e bene illuminata l'area di lavoro. Il disordine o la scarsa illuminazione possono favorire il verificarsi di incidenti.
- Evitare d'impiegare gli elettrotensili in atmosfere esplosive, come ad esempio in presenza di liquidi, gas o polvere infiammabili. Gli elettrotensili generano scintille che possono incendiare la polvere o i fumi.
- Tenere lontani bambini e altre persone durante l'uso di un elettrotensile. Eventuali distrazioni possono provocare la perdita di controllo dello stesso.

### 2. Sicurezza elettrica

- Le spine elettriche degli elettrotensili devono essere adatte alla presa.

**Evitare assolutamente di modificare**

la spina elettrica. Non utilizzare adattatori con gli elettroutensili (provvisi di messa a terra). L'uso di spine integre e delle prese corrispondenti ridurrà il rischio di scosse elettriche.

- b. **Evitare il contatto fisico con superfici collegate a terra, come tubi, radiatori, forni e frigoriferi.** Un corpo collegato a terra è esposto maggiormente al rischio di scosse elettriche.
- c. **Custodire gli elettroutensili al riparo dalla pioggia o dall'umidità.** L'eventuale infiltrazione di acqua in un elettroutensile va ad aumentare il rischio di scosse elettriche.
- d. **Non utilizzare il cavo in modo improprio. Non usare mai il cavo per trasportare, tirare o scollegare l'elettroutensile. Mantenere il cavo lontano da fonti di calore, olio, bordi taglienti o parti in movimento.** I cavi danneggiati o aggrovigliati aumentano il rischio di scosse elettriche.
- e. **Se l'elettroutensile viene adoperato all'aperto, utilizzare esclusivamente prolunghie omologate per uso esterno.** Un cavo adatto per uso esterno riduce il rischio di scosse elettriche.
- f. **Se non è possibile evitare di lavorare con l'elettroutensile in una zona umida, utilizzare un'alimentazione elettrica protetta da un interruttore differenziale (RCD).** L'uso di un interruttore differenziale riduce il rischio di di scosse elettriche.

**3. Sicurezza delle persone**

- a. **È importante concentrarsi su ciò che si sta facendo e maneggiare con giudizio l'elettroutensile. Non adoperare e l'elettroutensile se si è stanchi o sotto l'effetto di stupefacenti, alcol o medicinali.** Un momento di disattenzione durante l'utilizzo dell'utensile potrebbe causare gravi lesioni personali.
- b. **Usare i dispositivi di protezione individuale. Indossare sempre gli occhiali protezione.** Se si avrà cura di indossare i dispositivi di protezione, come ad esempio una maschera antipolvere, scarpe antiscivolo di sicurezza, un elmetto o un dispositivo di protezione acustica, necessari per le opportune condizioni lavorative si ridurrà il rischio di infortuni.
- c. **Prevenire l'avviamento involontario. Accertarsi che l'interruttore di accensione dell'elettroutensile sia in posizione off (spento) prima di collegarlo alla rete elettrica e/o alla batteria, di prenderlo in mano o di trasportarlo.** Per non esporsi al rischio di incidenti, non trasportare gli elettroutensili tenendo le dita sull'interruttore né con l'interruttore acceso, se sono collegati alla corrente elettrica.
- d. **Prima di accendere un elettroutensile, rimuovere eventuali chiavi o attrezzi di regolazione.**

Un utensile o una chiave lasciati attaccati a un componente mobile dell'elettroutensile potrebbero provocare lesioni personali.

- e. **Non piegarsi eccessivamente in avanti. Mantenere sempre un buon equilibrio evitando posizioni instabili.** In questo modo è possibile controllare meglio l'elettroutensile in situazioni inaspettate.
  - f. **Vestirsi adeguatamente. Evitare di indossare indumenti larghi o gioielli. Tenere capelli, vestiti e guanti lontano dai componenti in movimento.** Indumenti larghi, gioielli o capelli lunghi potrebbero impigliarsi nei componenti in movimento.
  - g. **Se gli elettroutensili sono provvisti di attacchi per il collegamento di dispositivi di aspirazione o di raccolta della polvere, assicurarsi che questi siano installati e utilizzati correttamente.** L'impiego di dispositivi di raccolta della polvere riduce i rischi associati alle polveri.
- 4. Uso e cura dell'elettroutensile**
- a. **Non sovraccaricare l'elettroutensile. Usare l'elettroutensile adatto al lavoro da eseguire.** Utilizzando l'elettroutensile adatto si potrà lavorare meglio e in maggiore sicurezza, alla potenza nominale prevista.
  - b. **Non utilizzare l'elettroutensile se l'interruttore non si accende e non si spegne.** Un elettroutensile che non può essere controllato mediante l'interruttore è pericoloso e deve essere riparato.
  - c. **Staccare la spina dalla presa di corrente e/o dalla batteria dall'elettroutensile prima di effettuare qualsiasi prima di regolarlo, di sostituire gli accessori o di riporlo.** Queste precauzioni di sicurezza riducono il rischio che l'elettroutensile sia messo in funzione inavvertitamente.
  - d. **Quando non vengono usati, gli elettroutensili devono essere custoditi fuori della portata dei bambini. Non consentirne l'uso a persone inesperte o che non abbiano letto le presenti istruzioni.** Potenza elettroutensili risultano pericolosi se usati da persone inesperte.
  - e. **Sottoporre gli elettroutensili a regolare manutenzione. Verificare che le parti mobili siano bene allineate e non inceppate, che non vi siano componenti rotti e che non sussistano altre condizioni che possono compromettere il funzionamento dell'elettroutensile.** In caso di danni, riparare l'elettroutensile prima dell'uso. Molti incidenti sono causati dalla scarsa manutenzione degli elettroutensili.
  - f. **Mantenere affilati e puliti gli utensili da taglio.** Se sottoposti alla corretta manutenzione, gli utensili da taglio con bordi affilati si inceppano meno e sono più facili da controllare.

- g. **Utilizzare l'elettrotensile, gli accessori, le punte, ecc. attenendosi alle presenti istruzioni, tenendo conto delle condizioni operative e del lavoro da eseguire.** L'impiego dell'elettrotensile per usi diversi da quelli consentiti potrà dar luogo a situazioni di pericolo.

## 5. Assistenza

- a. **Fare riparare l'elettrotensile solo ed esclusivamente da personale qualificato e solo impiegando pezzi di ricambio originali, Si tratta di un fatto non alterarne la sicurezza.**

### Ulteriori avvertenze di sicurezza valide per gli elettrotensili



**Avvertenza!** Addizionali avvisi di sicurezza per i trapani normali e quelli battenti.

- ◆ Indossare otoprotezioni quando si usano i trapani a percussione. L'esposizione al rumore può causare la perdita dell'udito.
- ◆ Usare le impugnature ausiliarie fornite con l'elettrotensile. La perdita del controllo può causare lesioni alla persona.
- ◆ **Sostenere l'apparato con supporti dotati di superfici isolanti** quando si eseguono lavorazioni in cui l'accessorio di taglio potrebbe toccare cavi elettrici nascosti. Gli accessori da taglio che vengono a contatto con un cavo sotto tensione trasmettono la corrente elettrica anche alle parti metalliche esposte dell'elettrotensile e possono provocare la folgorazione dell'operatore.
- ◆ Non usare mai un accessorio per scalpellatura nella modalità rotativa. L'accessorio rimarrà inceppato nel materiale e farà ruotare il trapano.
- ◆ Usare morse o altri metodi pratici per fissare e sostenere il pezzo in lavorazione su una piattaforma stabile. Tenere il pezzo in lavorazione con le mani o contro il corpo non ne assicura la stabilità e potrebbe comportare la perdita di controllo.
- ◆ Prima di trapanare pareti, pavimenti o soffitti, controllare l'ubicazione di fili e tubazioni.
- ◆ Evitare di toccare la punta di una punta del trapano subito dopo la trapanatura, dato che potrebbe essere calda.
- ◆ Questo elettrotensile non è stato progettato per impiego da parte di persone (o bambini) portatrici di handicap fisici, psichici o sensoriali o che non abbiano la dovuta esperienza o conoscenza, a meno che non siano seguite o opportunamente istruite sul suo impiego da parte di una persona responsabile della loro sicurezza. I bambini devono essere sorvegliati per assicurarsi che non giochino con l'apparecchio.
- ◆ L'uso previsto è indicato nel presente manuale di istruzioni.

Se questo elettrotensile viene impiegato con accessori o per usi diversi da quelli raccomandati nel presente manuale, potrebbero verificarsi lesioni personali e/o danni alle cose.

- ◆ Usare una maschera antipolvere quando il lavoro eseguito produce polvere o particelle volanti.

### Sicurezza altrui

- ◆ Questo elettrotensile non è destinato all'uso da parte di persone (compresi i bambini) con capacità fisiche, sensoriali o mentali ridotte, o prive di esperienza e conoscenze, a meno che non siano sottoposte a sorveglianza o ricevano istruzioni riguardo all'uso dell'elettrotensile da parte di una persona responsabile della loro sicurezza.
- ◆ I bambini devono essere sorvegliati per assicurarsi che non giochino con l'apparecchio.

### Rischi residui.

L'utilizzo dell'apparecchio può comportare rischi residui non necessariamente riportati nelle presenti avvertenze di sicurezza. Tali rischi possono sorgere a seguito di un uso prolungato o improprio, ecc.

Malgrado il rispetto delle norme di sicurezza pertinenti e l'implementazione di dispositivi di sicurezza, alcuni rischi residui non possono essere evitati. Sono inclusi:

- ◆ Lesioni causate o subite a seguito del contatto con parti rotanti/in movimento.
- ◆ Lesioni causate o subite durante la sostituzione di parti, lame o accessori.
- ◆ Lesioni causate dall'impiego prolungato di un elettrotensile. Quando si utilizza qualsiasi apparecchio per lunghi periodi, accertarsi di fare regolarmente delle pause.
- ◆ menomazioni uditive;
- ◆ rischi per la salute causati dall'aspirazione di polvere generata dall'utilizzo dell'elettrotensile (ad esempio quando si lavora con il legno, in modo particolare quello di quercia, faggio o l'MDF).

### Vibrazioni

I valori dichiarati delle emissioni di vibrazioni al paragrafo Dati tecnici e nella Dichiarazione di conformità del presente manuale sono stati misurati in base al metodo di test standard previsto dalla normativa EN 60745 e possono essere usati come parametri di confronto tra due utensili. Il valore delle emissioni di vibrazioni dichiarato può anche essere usato come valutazione preliminare dell'esposizione.

**Avvertenza!** Il valore delle emissioni di vibrazioni durante l'impiego effettivo dell'elettrotensile può variare da quello dichiarato a seconda delle modalità d'uso. Il livello delle vibrazioni può aumentare oltre quello dichiarato.

Quando si valuta l'esposizione alle vibrazioni per determinare le misure di sicurezza richieste dalla normativa 2002/44/CE destinata alla protezione delle persone che utilizzano regolarmente elettrotensili per lo svolgimento delle proprie mansioni, è necessario prendere in considerazione le condizioni effettive di utilizzo e il modo in cui l'elettrotensile viene usato, oltre che tenere conto di tutte le componenti del ciclo operativo, vale a dire i periodi in cui l'elettrotensile rimane spento, quelli in cui è acceso ma fermo e quelli in cui viene effettivamente utilizzato.

## Etichette sull'elettrotensile

Sull'elettrotensile sono presenti i seguenti simboli assieme al codice data:



**Avvertenza!** Per ridurre il rischio di infortuni, l'utilizzatore deve leggere il manuale di istruzioni.



Indossare otoprotezioni quando si usano i trapani a percussione. L'esposizione al rumore può causare la perdita dell'udito.

## Sicurezza elettrica



Il doppio isolamento di cui è provvisto l'elettrotensile rende superfluo il filo di terra. Assicurarsi che la tensione della rete di alimentazione corrisponda al valore indicato sulla targhetta dei valori nominali.

- ◆ If the supply cord is damaged, it must be replaced by the costruttore o presso un centro di assistenza BLACK+DECKER autorizzato per evitare rischi.

## Caratteristiche

Questo elettrotensile presenta alcune o tutte le seguenti caratteristiche.

1. Interruttore a velocità variabile
2. Pulsante di blocco
3. Interruttore avanti/indietro
4. Selettore modalità di trapanatura
5. Mandrino
6. Blocco del mandrino
7. Impugnatura laterale

## Assemblaggio

**Avvertenza!** Prima di montare l'elettrotensile, assicurarsi che sia spento e scollegato dalla presa di corrente.

## Montaggio dell'impugnatura laterale (fig. A)

- ◆ Ruotare il contatore in senso antiorario finché non è possibile scorrere l'impugnatura laterale (7) sul davanti dell'utensile.
- ◆ Ruotare l'impugnatura laterale nella posizione desiderata.

- ◆ Serrare l'impugnatura laterale ruotando il manico in senso orario.

## Montaggio di un accessorio (fig. B)

- ◆ Premere il blocco del mandrino (6)
- ◆ Aprire il mandrino portapunta ruotando il manicotto (5) in senso antiorario.
- ◆ Inserire il codolo della punta (8) nel mandrino portapunta.
- ◆ Serrare il mandrino portapunta ruotando il manicotto in senso orario.

## Utilizzo

**Avvertenza!** Lasciare che l'apparecchio funzioni al proprio ritmo. Non sovraccaricarlo.

**Avvertenza!** Prima di trapanare pareti, pavimenti o soffitti, controllare l'ubicazione di fili e tubazioni.

## Accensione e spegnimento (Fig. C)

- ◆ Per accendere l'elettrotensile, premere l'interruttore a velocità variabile (1). La velocità dell'elettrotensile dipende dalla pressione esercitata sull'interruttore.
- ◆ Per il funzionamento continuo, premere anche il pulsante di blocco (2) e rilasciare l'interruttore della velocità variabile. Questa opzione non funziona con la rotazione indietro.
- ◆ Per spegnere l'elettrotensile, rilasciare l'interruttore a velocità variabile. Per spegnere l'utensile in modalità di funzionamento continuo, premere nuovamente l'interruttore di velocità variabile e rilasciarlo.

## Selezione della direzione di rotazione (fig. D)

Per la trapanatura e per l'avvitatura usare la rotazione in avanti (senso orario). Per allentare le viti o per rimuovere punte da trapano incastrate, usare la rotazione indietro (senso antiorario).

- ◆ Per selezionare la rotazione avanti, premere il pulsante avanti/indietro (3) a sinistra.
- ◆ Per selezionare la rotazione inversa, premere il pulsante avanti/indietro a destra.

**Avvertenza!** Non cambiare mai la direzione di rotazione quando il motore è in funzione.

## Selezione della modalità di trapanatura (Fig. E)

- ◆ Per la trapanatura in muratura e calcestruzzo, impostare il selettore modalità di trapanatura (4) in posizione q.
- ◆ Per la trapanatura di acciaio, legno e plastica o per l'avvitatura, regolare il selettore della modalità operativa (4) sulla posizione r.

## Accessori

Le prestazioni dell'elettrotensile dipendono dall'accessorio usato. Gli accessori BLACK+DECKER sono stati fabbricati in base a standard qualitativi elevati e sono stati progettati per ottenere le migliori prestazioni dall'elettrotensile.

Utilizzando questi accessori si otterrà il meglio dall'elettrotensile.

## Manutenzione

Questo elettrodomestico/elettrotensile BLACK+DECKER, con o senza filo, è stato progettato per funzionare a lungo con una manutenzione minima. Prestazioni sempre soddisfacenti dipendono da una cura appropriata e da una pulizia regolare. Avvertenza! Prima di eseguire interventi di manutenzione sugli elettrotensili con cavo/cordless:

- ◆ Spegnerne e scollegare l'apparecchio/elettrotensile.
- ◆ Oppure spegnere ed estrarre la batteria dall'elettrotensile/apparecchio se l'elettrotensile/apparecchio ha una batteria separata.
- ◆ Oppure scaricare completamente la batteria, se è di tipo integrale, quindi spegnerlo.
- ◆ Scollegare il caricabatterie dalla spina prima di pulirlo. Il caricabatterie non richiede alcuna manutenzione salvo una pulizia regolare.
- ◆ Pulire regolarmente le prese di ventilazione dell'elettrotensile/apparecchio/caricabatterie con una spazzola morbida o un panno asciutto.
- ◆ Il vano del motore deve essere pulito regolarmente con un panno umido. Non usare materiali abrasivi o detersivi a base di solventi.
- ◆ Aprire regolarmente il mandrino e batterlo leggermente per eliminare la polvere dall'interno (quando montato).

## Sostituzione della spina (solo Regno Unito e Irlanda)

Se è necessario installare una nuova spina:

- ◆ smaltire in tutta sicurezza quella vecchia.
- ◆ Collegare il filo marrone al terminale sotto tensione nella nuova spina.
- ◆ Collegare il filo blu al terminale neutro.

**Avvertenza!** Non deve essere effettuato alcun collegamento al terminale di messa a terra. Seguire le istruzioni di montaggio fornite con le spine di buona qualità. Fusibile raccomandato: 5 A.

## Protezione dell'ambiente



Raccolta differenziata. I prodotti e le batterie contrassegnati con questo simbolo non devono essere smaltiti con i rifiuti domestici normali.

Essi contengono materiali che possono essere recuperati o riciclati, riducendo la richiesta di materie prime.

Riciclare i prodotti elettrici e le batterie secondo le disposizioni locali.

Ulteriori informazioni sono disponibili all'indirizzo [www.2helpU.com](http://www.2helpU.com).

## Dati tecnici

		BEH550	BEH710
Tensione in ingresso	$V_{CA}$	230	230
Velocità a vuoto	$\text{min}^{-1}$	0 - 2800	0 - 2800
Forza di percussione	$\text{min}^{-1}$	0 - 47600	0 - 47600
Peso	kg	1,7	1,76
Capacità di perforazione max.			
Calcestruzzo	mm	13	13
Acciaio	mm	13	13
Legno	mm	25	25

### BEH550 Livello di pressione sonora misurato in base a EN 60745:

Pressione sonora ( $L_{pWA}$ ) 93,5 dB(A), incertezza (K) 3 dB(A)

Potenza acustica ( $L_{WA}$ ) 104,5 dB(A), incertezza (K) 3 dB(A)

### BEH710 Livello di pressione sonora misurato in base a EN 60745:

Pressione sonora ( $L_{pWA}$ ) 95,5 dB(A), incertezza (K) 3 dB(A)

Potenza acustica ( $L_{WA}$ ) 106,5 dB(A), incertezza (K) 3 dB(A)

### BEH550 Valori totali vibrazioni (somma vettoriale triassiale) in base a EN 60745:

Trapanatura a percussione nel calcestruzzo ( $a_{h, D}$ ) 14,8  $\text{m/s}^2$ , incertezza (K) 1,5  $\text{m/s}^2$

Trapanatura nel metallo ( $a_{h, D}$ ) <2,8  $\text{m/s}^2$ , incertezza (K) 1,5  $\text{m/s}^2$

### BEH710 Valori di emissione totali di vibrazioni (somma vettoriale triassiale) in conformità alla norma EN 60745:

Trapanatura a percussione nel calcestruzzo ( $a_{h, D}$ ) 16,2  $\text{m/s}^2$ , incertezza (K) 1,5  $\text{m/s}^2$

Trapanatura nel metallo ( $a_{h, D}$ ) <3,5  $\text{m/s}^2$ , incertezza (K) 1,5  $\text{m/s}^2$

## Dichiarazione di conformità CE

DIRETTIVA MACCHINE



Trapano a percussione BEH550, BEH710  
Black&Decker dichiara che i prodotti descritti al paragrafo "Dati tecnici" sono conformi alle seguenti normative:  
EN60745-1:2009+A11:2010, EN60745-2-1:2010.  
Questi prodotti sono conformi alle Direttive 2014/30/UE, 2006/42/CE e 2011/65/UE.

Per ulteriori informazioni contattare Black & Decker al seguente indirizzo oppure consultare l'ultima di copertina del manuale.

Il sottoscritto è responsabile della redazione del presente documento tecnico ed effettua questa dichiarazione per conto di Black & Decker.



R. Laverick  
Direttore tecnico  
Black & Decker Europe, 210 Bath Road, Slough,  
Berkshire, SL1 3YD  
Regno Unito  
14/12/2017

## Garanzia

Black & Decker è sicura della qualità dei propri prodotti e offre ai consumatori una garanzia di 24 mesi dalla data di acquisto. Il presente certificato di garanzia è complementare ai diritti legali e non li pregiudica in alcun modo. La garanzia è valida sui territori degli stati membri dell'Unione Europea e dell'EFTA (Associazione europea di libero scambio).

Per attivare la garanzia, il reclamo deve essere effettuato in accordo con i Termini e Condizioni Black & Decker e sarà necessario presentare la prova di acquisto al venditore o all'agente di riparazione autorizzato. I Termini e condizioni della garanzia Black & Decker di 2 anni e la sede dell'agente di riparazione autorizzato più vicino sono consultabili su Internet all'indirizzo [www.2helpU.com](http://www.2helpU.com), o contattando l'ufficio Black & Decker di zona all'indirizzo indicato in questo manuale.

Visitare il nostro sito [www.blackanddecker.it](http://www.blackanddecker.it) per registrare il nuovo prodotto Black & Decker e ricevere gli aggiornamenti sui nuovi prodotti e le offerte speciali.

## Bedoeld gebruik

De BLACK+DECKER-slagboormachines van het type BEH550, BEH710 zijn ontworpen voor het boren in hout, metaal, kunststof en metselwerk, maar kan ook worden gebruikt als schroevendraaier. Dit gereedschap is uitsluitend bestemd voor consumentengebruik.

## Veiligheidsinstructies

### Algemene veiligheidswaarschuwingen voor elektrisch gereedschap



**Waarschuwing!** Lees alle veiligheidswaarschuwingen en alle instructies. Het niet opvolgen van alle onderstaande waarschuwingen en instructies kan leiden tot een elektrische schok, brand en/of ernstig persoonlijk letsel.

### Bewaar alle waarschuwingen en instructies als referentiemateriaal.

De in de waarschuwingen gebruikte term 'elektrisch gereedschap' heeft betrekking op elektrische gereedschap voor gebruik op de stroomvoorziening (met netsnoer) of voor gebruik met een accu (snoerloos).

## 1. Veilige werkomgeving

- Houd uw werkomgeving schoon en goed verlicht.** In een rommelige en slecht verlichte werkplaats gebeuren vaak ongelukken.
- Werk niet met elektrisch gereedschap in een explosieve atmosfeer, zoals op plaatsen waar zich brandbare vloeistoffen, gassen of stofdeeltjes bevinden.** Elektrisch gereedschap veroorzaakt vonken die het stof of de dampen kunnen doen ontbranden.
- Houd kinderen en omstanders tijdens het gebruik van elektrisch gereedschap op afstand.** Als u wordt afgeleid, kunt u de controle over het gereedschap verliezen.

## 2. Elektrische veiligheid

- De netstekker van elektrisch gereedschap moet geschikt zijn voor het stopcontact. Breng nooit op welke wijze dan ook wijzigingen in de stekker aan.** Gebruik niet een adapter bij geaard elektrisch gereedschap. Stekkers waarin geen wijzigingen zijn aangebracht en geschikte stopcontacten verminderen het risico van een elektrische schok.
- Vermijd contact van het lichaam met geaarde oppervlakken, zoals leidingen, radiatoren, fornuizen en koelkasten.** Er is een groter risico van een elektrische schok als uw lichaam contact heeft met aarde.
- Stel elektrisch gereedschap niet bloot aan regen en vocht.**

Als er water in een elektrisch gereedschap dringt, verhoogt dit het risico een elektrische schok geven.

- d. **Behandel het snoer voorzichtig.** Gebruik nooit het snoer om het elektrisch gereedschap te dragen, naar u toe te trekken of de stekker uit het stopcontact te trekken. Houd het snoer uit de buurt van warmte, olie, scherpe randen en bewegende onderdelen. Beschadigde snoeren of snoeren die in de war zijn geraakt, verhogen het risico van een elektrische schok.
- e. **Gebruik, wanneer u met elektrisch gereedschap buiten werkt, een verlengsnoer dat geschikt is voor werken buitenshuis.** Gebruik een verlengsnoer dat geschikt is voor gebruik buitenshuis, dat vermindert het risico van een elektrische schok.
- f. **Moet u beslist in een vochtige omgeving met elektrisch gereedschap werken, gebruik dan een stroomvoorziening die beveiligd is met een aardlekschakelaar.** Het gebruik van een aardlekschakelaar vermindert het risico een elektrische schok geven.

### 3. Persoonlijke veiligheid

- a. **Blijf alert, let goed op wat u doet en ga met verstand te werk wanneer u met elektrisch gereedschap werkt.** Gebruik geen elektrisch gereedschap wanneer u moe bent of onder invloed van drugs, alcohol of medicijnen. Een ogenblik van onoplettendheid bij het gebruik van elektrisch gereedschap kan leiden tot ernstig persoonlijk letsel.
- b. **Draag persoonlijke beschermende uitrusting. Draag altijd oogbescherming.** Beschermende uitrusting, zoals een stofmasker, anti-slip veiligheidsschoenen, een helm en gehoorbescherming zullen de kans op persoonlijk letsel doen afnemen.
- c. **Vorkom per ongeluk inschakelen.** Controleer dat de schakelaar in de uit-stand staat voordat u de stekker in het stopcontact steekt en/of de accu plaatst, het gereedschap oppakt of draagt. Wanneer u elektrisch gereedschap draagt met uw vinger op de schakelaar of de stroomvoorziening inschakelt van elektrisch gereedschap met de Aan/Uit-schakelaar op Aan, zal dat gemakkelijk ongelukken tot gevolg hebben.
- d. **Verwijder een stelsleutel of steeksleutel voordat u het elektrisch gereedschap inschakelt.** Een steeksleutel of stelsleutel die in een draaiend deel van het elektrisch gereedschap is achtergebleven, kan tot verwondingen leiden.
- e. **Reik niet buiten uw macht. Blijf te allen tijde stevig en in evenwicht op de grond staan.** U heeft dan beter controle over het elektrisch gereedschap in onverwachte situaties.
- f. **Draag geschikte kleding.** Draag geen loszittende kleding of sieraden.

**Houd uw haar, kleding en handschoenen uit de buurt van bewegende onderdelen.** Loszittende kleding, sieraden en lang haar kunnen in bewegende onderdelen vast komen te zitten.

- g. **Als toestellen voorzieningen hebben voor stofafzuiging en stofopvang, is het belangrijk dat deze worden toegepast en op juiste wijze worden gebruikt.** Door stofopvang te gebruiken kunt u stofgerelateerde gevaren beperken.
- ### 4. Gebruik en onderhoud van elektrisch gereedschap
- a. **Overbelast het elektrisch gereedschap niet.** Gebruik het juiste elektrisch gereedschap voor uw toepassing. Het juiste elektrisch gereedschap verricht de werkzaamheden beter en veiliger wanneer er geen hogere eisen aan worden gesteld dan de bedoeling is.
  - b. **Gebruik het elektrisch gereedschap niet als de schakelaar niet goed werkt.** Elektrisch gereedschap waarvan de schakelaar niet goed werkt is gevaarlijk en moet worden gerepareerd.
  - c. **Trek de stekker uit het stopcontact en/of neem de accu uit het elektrisch gereedschap voordat u aanpassingen uitvoert, accessoires wisselt of het gereedschap opbergt.** Deze voorzorgsmaatregelen beperken het risico van onbedoeld starten van het gereedschap.
  - d. **Berg elektrisch gereedschap dat u niet gebruikt, buiten het bereik van kinderen op en laat personen die niet bekend zijn met het elektrisch gereedschap of deze instructies niet met het gereedschap werken.** Elektrisch gereedschap is gevaarlijk in handen van personen die er niet mee hebben leren werken.
  - e. **Onderhoud het gereedschap goed. Controleer de uitlijning van bewegende onderdelen en let erop dat zij niet aanlopen, let erop dat onderdelen niet kapot zijn en let op andere omstandigheden die van invloed kunnen zijn op de werking van het elektrisch gereedschap.** Laat het gereedschap voor gebruik repareren als het is beschadigd. Veel ongelukken zijn het gevolg van het werken met slecht onderhouden gereedschap.
  - f. **Houd zaag- en snijgereedschap scherp en schoon.** Goed onderhouden zaaggereedschap met scherpe snijranden zal minder snel vastlopen en is gemakkelijker te bedienen.
  - g. **Gebruik het elektrisch gereedschap, de accessoires en bitjes, enz. in overeenstemming met deze instructies en houd rekening met de werkomstandigheden en de werkzaamheden die moeten worden verricht.** Wanneer u het elektrisch gereedschap gebruikt voor werkzaamheden waarvoor het niet is bedoeld, kan dat leiden tot een gevaarlijke situatie.

## 5. Service

- a. Laat het gereedschap repareren door een **gekwalificeerde monteur die uitsluitend dezelfde vervangende onderdelen gebruikt**. Dit zorgt ervoor dat de veiligheid van het elektrisch gereedschap gewaarborgd blijft.

### Aanvullende veiligheidswaarschuwingen voor elektrisch gereedschap



**Waarschuwing!** Aanvullende veiligheidswaarschuwingen voor boormachines en slagboormachines.

- ◆ **Draag gehoorbeschermers bij het werken met slagboormachines.** Blootstelling aan lawaai kan gehoorverlies veroorzaken.
- ◆ **Gebruik de extra handgrepen die bij het gereedschap worden geleverd.** Verlies van controle kan leiden tot persoonlijk letsel.
- ◆ **Houd elektrisch gereedschap alleen vast aan geïsoleerde oppervlakken wanneer u een handeling uitvoert waarbij het accessoire van het zaaggereedschap in contact kan komen met verborgen bedrading.** Accessoires van elektrisch gereedschap die in contact komen met bedrading waar spanning op staat, kunnen metalen onderdelen van het gereedschap onder stroom zetten en de gebruiker een elektrische schok geven.
- ◆ **Gebruik nooit een beitelhulpstuk in de draaistand.** Het accessoire komt vast te zitten in het materiaal en de boormachine zal draaien.
- ◆ **Zet het werkstuk met klemmen of op een andere praktische manier vast en ondersteun het op een stabiele ondergrond.** Wanneer u het werkstuk vasthoudt met de hand of het tegen uw lichaam gedrukt houdt, is het instabiel en kunt u de controle verliezen.
- ◆ **Controleer waar zich bedrading en leidingen bevinden voordat u in muren, vloeren of plafonds boort.**
- ◆ **Raak de punt van een boor niet meteen na het boren aan.** Dit kan heet zijn.
- ◆ **Dit gereedschap mag niet worden gebruikt door personen (waaronder kinderen) die lichamelijk of geestelijk mindervalide zijn of die geen ervaring met of kennis van dit gereedschap hebben, tenzij ze onder toezicht staan of instructies krijgen wat betreft het gebruik van het gereedschap van een persoon die verantwoordelijk is voor hun veiligheid.** Er moet op worden toegezien dat kinderen niet met het apparaat spelen.
- ◆ **Het bedoeld gebruik wordt beschreven in deze gebruiksaanwijzing.**

Het gebruik van andere accessoires of hulpstukken of uitvoering van andere handelingen met dit gereedschap dan die in deze instructiehandleiding worden aanbevolen, kan leiden tot persoonlijk letsel en/of materiële schade.

- ◆ **Gebruik een gezichts- of stofmasker als de werkzaamheden stof of rondvliegende snippers tot gevolg hebben.**

### Veiligheid van anderen

- ◆ Het is niet de bedoeling dat het apparaat wordt gebruikt door personen (waaronder kinderen) met verminderde fysieke, sensorische of psychische vermogens, of door personen die het ontbreekt aan ervaring en kennis, tenzij onder toezicht en na instructie over het gebruik van het apparaat door iemand die verantwoordelijk is voor hun veiligheid.
- ◆ Er moet op worden toegezien dat kinderen niet met het apparaat spelen.

### Overige risico's.

Er kunnen zich bij het gebruik van dit gereedschap nog meer risico's voordoen, die mogelijk niet in de bijgesloten veiligheidswaarschuwingen worden beschreven. Deze risico's kunnen zich voordoen door onoordeelkundig gebruik, langdurig gebruik, enz.

- Zelfs wanneer de veiligheidsvoorschriften in acht worden genomen en de veiligheidsvoorzieningen worden gebruikt, kunnen bepaalde risico's niet worden uitgesloten. Dit zijn onder meer:
- ◆ Verwondingen die worden veroorzaakt door het aanraken van draaiende of bewegende onderdelen.
  - ◆ Verwondingen die worden veroorzaakt bij het vervangen van onderdelen, bladen of accessoires.
  - ◆ Verwondingen die worden veroorzaakt door langdurig gebruik van gereedschap. Wanneer u langere periodes met gereedschap werkt, kunt u het beste regelmatig een pauze nemen.
  - ◆ Gehoorbeschadiging.
  - ◆ Gezondheidsrisico's als gevolg van het inademen van stof dat door gebruik van het gereedschap wordt veroorzaakt (bijvoorbeeld tijdens het werken met hout, met name eiken, beuken en MDF).

### Trillingen

De aangegeven waarden voor trillingsemissie in de technische gegevens en de conformiteitverklaring zijn gemeten conform een standaardtestmethode die door EN 60745 wordt geboden. Hiermee kan het ene gereedschap met het andere worden vergeleken. De aangegeven waarde voor trillingsemissie kan ook worden gebruikt bij een voorlopige bepaling van blootstelling.



**Waarschuwing!** De waarde voor trillingsemissie tijdens het werkelijke gebruik van het elektrisch gereedschap kan verschillen van de aangegeven waarde afhankelijk van de manieren waarop het gereedschap wordt gebruikt. Het trillingsniveau kan toenemen tot boven het aangegeven niveau.

Bij beoordeling van de blootstelling aan trillingen met het doel vast te stellen welke veiligheidsmaatregelen 2002/44/EG vereist ter bescherming van personen die tijdens hun werk regelmatig elektrisch gereedschap gebruiken, moet bij een inschatting van de blootstelling aan trillingen rekening worden gehouden met de werkelijke gebruiksomstandigheden en de manier waarop het gereedschap wordt gebruikt. Daarbij moet ook rekening worden gehouden met alle onderdelen van de bedrijfscyclus, zoals wanneer het gereedschap wordt uitgeschakeld en wanneer het gereedschap stationair loopt en ook de aanlooptijd.

### Etiketten op het gereedschap

Naast de datumcode is het gereedschap voorzien van de volgende symbolen:



**Waarschuwing!** De gebruiker moet de instructiehandleiding lezen zodat het risico van letsel wordt beperkt.



Draag gehoorbeschermers bij het werken met slagboormachines. Blootstelling aan lawaai kan gehoorverlies veroorzaken.

### Elektrische veiligheid



Dit gereedschap is dubbel geïsoleerd, daarom is een aardeaansluiting niet vereist. Controleer altijd of de stroomvoorziening overeenkomt met de voltage op het typeplaatje.

- ◆ Als het netsnoer is beschadigd, moet het worden vervangen door de fabrikant of een geautoriseerd BLACK+DECKER-servicecentrum zodat geen gevaarlijke situaties kunnen ontstaan.

### Functies

Dit apparaat heeft enkele van de volgende functies of allemaal.

1. Variabele snelheidsschakelaar
2. Knop voor vergrendeling in de Aan-stand
3. Schakelaar voor vooruit/achteruit
4. Selectieschakelaar voor boorstand
5. Spanknop
6. Spanknopvergrendeling
7. Zijhandgreep

### Montage

**Waarschuwing!** Controleer voor aanvang van de montage dat het apparaat is uitgeschakeld en de netstekker uit het stopcontact is getrokken.

### Bevestigen van de zijhandgreep (afb. A)

- ◆ Draai de handgreep naar links tot u de zijhandgreep (7) naar de voorzijde van het gereedschap kunt schuiven.
- ◆ Draai de zijhandgreep in de gewenste stand.
- ◆ Zet de zijhandgreep vast door de greep naar rechts te draaien.

### Een hulpstuk bevestigen (afb. B)

- ◆ Druk de vergrendeling (6) van de spanknop in
- ◆ Open de spanknop door de kraag (5) naar links te draaien.
- ◆ Plaats de bitschacht (8) in de spanknop.
- ◆ Draai de spanknop vast door de kraag naar rechts te draaien.

### Gebruik van het apparaat

**Waarschuwing!** Laat het gereedschap op z'n eigen snelheid werken. Overbelast het gereedschap niet.

**Waarschuwing!** Controleer, voordat u in wanden, vloeren of plafonds gaat boren of er bedrading of leidingen lopen.

### In- en uitschakelen (afb. C)

- ◆ U schakelt het gereedschap in door op de schakelaar met variabele snelheden (1) te drukken. De snelheid van het gereedschap hangt af van hoe ver u de schakelaar indrukt.
- ◆ Druk op de knop (2) voor vergrendeling in de Aan-stand als u wilt dat het gereedschap blijft werken en u kunt dan de variabele snelheidsschakelaar loslaten. Deze optie werkt niet bij achterwaartse rotatie.
- ◆ U kunt het gereedschap uitschakelen door de schakelaar voor variabele snelheid los te laten. U kunt het gereedschap uitschakelen als het in de Aan-stand is vergrendeld, door nogmaals op de variabele snelheidsschakelaar te drukken en de schakelaar los te laten.

### De draairichting selecteren (afb. D)

Gebruik voor boren en het vastdraaien van schroeven de voorwaartse draairichting (naar rechts). Gebruik voor het losdraaien van schroeven of het verwijderen van een vastgelopen boorbit de tegengestelde draairichting (naar links).

- ◆ Duw voor voorwaartse rotatie de vooruit/achteruitschuiфknop (3) naar links.
- ◆ Duw voor achterwaartse rotatie de vooruit/achteruitschuiфknop naar rechts.

**Waarschuwing!** Verander de draairichting nooit terwijl de motor loopt.

### De boorstand selecteren (afb. E)

- ◆ Zet voor slagboren in metselwerk en beton de selectieschakelaar (4) voor de boorstand in de stand **T**.
- ◆ Zet voor boren in staal, hout of kunststof voor gebruik als schroevendraaier de selectieschakelaar voor de bedrijfsstand (4) in de stand **1**.

### Accessoires

De prestaties van het gereedschap zijn afhankelijk van de gebruikte accessoires. Accessoires van BLACK+DECKER zijn ontworpen om aan hoge kwaliteitsnormen te voldoen en de prestaties van uw gereedschap te verhogen. Door deze accessoires te gebruiken kunt u uw gereedschap nog beter laten presteren.

### Onderhoud

Uw BLACK+DECKER-apparaat/-gereedschap (met netsnoer/ snoerloos) is ontworpen om gedurende lange tijd te functioneren met een minimum aan onderhoud. Het continu naar tevredenheid functioneren hangt af van de juiste zorg voor het gereedschap en regelmatig schoonmaken.

**Waarschuwing!** Doe altijd het volgende voordat u onderhoudswerkzaamheden aan gereedschap (met snoer/ snoerloos) uitvoert:

- ◆ Schakel het gereedschap/apparaat uit en trek de stekker uit het stopcontact.
- ◆ Of schakel de machine uit en verwijder de accu uit het apparaat/de machine als het apparaat/gereedschap een aparte accu heeft.
- ◆ Of maak de accu helemaal leeg als de accu is ingebouwd, en schakel het gereedschap uit.
- ◆ Neem de lader uit het stopcontact voordat u deze schoonmaakt. Behalve regelmatige reiniging vraagt de lader geen onderhoud.
- ◆ Reinig regelmatig de ventilatieopeningen van de het apparaat/het gereedschap/de lader met een zachte borstel of droge doek.
- ◆ Reinig de behuizing van de motor regelmatig met een vochtige doek. Gebruik niet een schurend schoonmaakmiddel of een schoonmaakmiddel op basis van een oplosmiddel.
- ◆ Open regelmatig de spankop en tik eventueel stof uit de binnenzijde (indien van toepassing).

### Netstekker vervangen (alleen VK en Ierland)

Als er een nieuwe netstekker moet worden gemonteerd:

- ◆ Gooi de oude stekker op verantwoorde wijze weg.
- ◆ Verbind de bruine draad met de spannings-/ faseaansluiting in de nieuwe stekker.
- ◆ Verbind de blauwe draad met de nulaansluiting.

**Waarschuwing!** Er moet geen verbinding tot stand worden gebracht met de aardeaansluiting. Volg de montage-instructies die bij stekkers van goede kwaliteit worden geleverd. Aanbevolen zekering: 5 A.

### Het milieu beschermen



Gescheiden afvalinzameling. Producten en accu's waarop dit symbool is aangebracht, mogen niet bij het normale huishoudafval worden weggegooid.

Producten en accu's bevatten materialen die kunnen worden teruggewonnen of gerecycled en dat doet de vraag naar grondstoffen afnemen. Recycle elektrische producten en accu's volgens de ter plaatse geldende bepalingen.

Nadere informatie is beschikbaar op [www.2helpU.com](http://www.2helpU.com)

### Technische gegevens

		BEH550	BEH710
Ingangsspanning	$V_{AC}$	230	230
Snelheid onbelast	$\text{min}^{-1}$	0 - 2800	0 - 2800
Slagsnelheid	$\text{min}^{-1}$	0 - 47600	0 - 47600
Gewicht	kg	1,7	1,76
Max. boorcapaciteit			
Beton	mm	13	13
Staal	mm	13	13
Hout	mm	25	25

#### BEH550 Geluidsdruk niveau volgens EN 60745:

Geluidsdruk ( $L_{pA}$ ) 93,5 dB(A), meetonzekerheid (K) 3 dB(A)

Geluidsvermogen ( $L_{WA}$ ) 104,5 dB(A), meetonzekerheid (K) 3 dB(A)

#### BEH710 Geluidsdruk niveau volgens EN 60745:

Geluidsdruk ( $L_{pA}$ ) 95,5 dB(A), meetonzekerheid (K) 3 dB(A)

Geluidsvermogen ( $L_{WA}$ ) 106,5 dB(A), meetonzekerheid (K) 3 dB(A)

#### BEH550 Totale trillingswaarden (som triaxvector) volgens EN 60745:

Met slagboor in beton boren ( $a_{h, ID}$ ) 14,8  $\text{m/s}^2$ , onzekerheid (K) 1,5  $\text{m/s}^2$

In metaal boren ( $a_{h, D}$ ) 2,8  $\text{m/s}^2$ , onzekerheid (K) 1,5  $\text{m/s}^2$

#### BEH710 Totale trillingswaarden (som triaxvector) volgens EN 60745:

Met slagboor in beton boren ( $a_{h, ID}$ ) 16,2  $\text{m/s}^2$ , onzekerheid (K) 1,5  $\text{m/s}^2$

In metaal boren ( $a_{h, D}$ ) 3,5  $\text{m/s}^2$ , onzekerheid (K) 1,5  $\text{m/s}^2$

### EG conformiteitsverklaring

RICHTLIJN VOOR MACHINES



BEH550, BEH710 slagboormachine

Black & Decker verklaart dat de producten die worden beschreven onder 'Technische gegevens', voldoen aan: EN60745-1:2009+A11:2010, EN60745-2-1:2010.

Deze producten voldoen ook aan richtlijn 2014/30/EU, 2006/42/EC en 2011/65/EU.

Neem voor meer informatie contact op met Black & Decker op het volgende adres of raadpleeg de achterzijde van de handleiding.

Ondergetekende is verantwoordelijk voor de samenstelling van het technische bestand en legt deze verklaring af namens Black & Decker.



R. Laverick  
Director of Engineering  
Black & Decker Europe, 210 Bath Road, Slough,  
Berkshire, SL1 3YD  
Verenigd Koninkrijk  
14-12-2017

## Garantie

Black & Decker heeft vertrouwen in zijn producten en biedt consumenten een garantie van 24 maanden vanaf de datum van aankoop. Deze garantie vormt een aanvulling op uw wettelijke rechten en beperken deze niet. De garantie is geldig op het grondgebied van de Lidstaten van de Europese Unie en de Europese Vrijhandelszone.

Voor een garantie-aanspraak moet uw aanspraak in overeenstemming zijn met de Voorwaarden en Condities van Black & Decker en moet u een bewijs van aankoop overleggen aan de verkoper of aan een geautoriseerde reparatiemonteur. Voorwaarden en condities van de 2-jarige garantie van Black & Decker en het adres van de vestiging van het geautoriseerde reparatiecentrum bij u in de buurt, kunt u vinden op internet op [www.2helpU.com](http://www.2helpU.com), of door contact op te nemen met het Black & Decker-kantoor ter plaatse, op het adres dat in deze handleiding wordt vermeld.

Ga naar onze website [www.blackanddecker.co.uk](http://www.blackanddecker.co.uk), registreer uw nieuwe product van Black & Decker en ontvang informatie over nieuwe producten en speciale aanbiedingen.

## Uso previsto

El taladro percutor BLACK+DECKER BEH550, BEH710 ha sido diseñado para taladrar madera, metal, plásticos y mampostería, así como para atornillar. Esta herramienta ha sido concebida únicamente para uso doméstico.

## Instrucciones de seguridad

### Advertencias de seguridad generales para herramientas eléctricas



**Advertencia. Lea todas las advertencias de seguridad y todas las instrucciones.** El incumplimiento de las advertencias e instrucciones que se indican a continuación puede causar descargas eléctricas, incendios y/o lesiones graves.

Guarde todas las advertencias e instrucciones para futuras consultas.

El término "herramienta eléctrica" empleado en las advertencias se refiere a la herramienta eléctrica alimentada por suministro de red (con cable) o alimentada a batería (sin cable). power tool.

### 1. Seguridad del área de trabajo

- Mantenga limpia y bien iluminada el área de trabajo.** Las zonas desordenadas u oscuras pueden ser causa de accidentes.
- No utilice las herramientas eléctricas en atmósferas explosivas, como en presencia de gases, líquidos o polvos inflamables.** Las herramientas eléctricas originan chispas que pueden inflamar el polvo o los gases.
- Mantenga alejados del área de trabajo a los niños y otras personas al emplear una herramienta eléctrica.** Las distracciones pueden hacer que usted pierda el control sobre la herramienta.

### 2. Seguridad eléctrica

- El enchufe de la herramienta eléctrica debe corresponder a la toma de corriente. Nunca modifique el enchufe de ningún modo.** No utilice ningún enchufe adaptador con las herramientas puestas a tierra. Los enchufes no modificados y las tomas de corrientes correspondientes reducen el riesgo de descarga eléctrica.
- Evite el contacto del cuerpo con superficies puestas a tierra tales como tubos, radiadores, estufas y frigoríficos.** Existe un gran riesgo de descarga eléctrica si su cuerpo es puesto a tierra o a masa.
- No exponga las herramientas eléctricas a la lluvia y a la humedad.** Si entra agua a una herramienta eléctrica, aumenta el riesgo de descarga eléctrica al operador.

- d. **Cuide el cable de alimentación. Nunca use el cable para llevar, tirar o desenchufar la herramienta eléctrica. Mantenga el cable alejado del calor, aceite, aristas vivas o piezas móviles.** Los cables dañados o enredados aumentan el riesgo de descarga eléctrica.
- e. **Cuando utilice una herramienta eléctrica en exteriores, use un cable prolongador apto para uso en exteriores.** Usar un cable adecuado para exteriores reduce el riesgo de descarga eléctrica.
- f. **Si no puede evitar utilizar una herramienta eléctrica en un lugar húmedo, use un dispositivo diferencial residual (DDR) para una alimentación protegida.** El uso de un DDR reduce el riesgo de descarga eléctrica al operador.

### 3. Seguridad personal

- a. **Esté siempre atento a lo que hace y sea prudente cuando utiliza una herramienta eléctrica. No use la herramienta eléctrica si está cansado o bajo la influencia de drogas, alcohol o fármacos.** Un momento de distracción durante el uso de la herramienta puede causar lesiones personales graves.
- b. **Utilice un equipo de protección personal. Utilice siempre protección ocular.** El uso de dispositivos de protección tales como las mascarillas antipolvo, el calzado antideslizante, los cascos y la protección auditiva adecuados para cada caso, reduce el riesgo de sufrir lesiones personales.
- c. **Impida que la herramienta se ponga en marcha accidentalmente. Compruebe que el interruptor esté en posición de apagado antes de conectar la herramienta a la fuente de alimentación y/o la batería, coger o transportar la herramienta.** Transportar las herramientas eléctricas con los dedos puestos en el interruptor o las herramientas eléctricas bajo tensión con el interruptor encendido puede causar accidentes.
- d. **Retire cualquier llave o pinza de ajuste antes de encender la herramienta eléctrica.** Dejar una pinza o una llave en una pieza móvil de la herramienta eléctrica puede causar lesiones personales.
- e. **Sea precavido. Mantenga un equilibrio adecuado y la estabilidad constantemente.** Esto permite un mejor control de la herramienta eléctrica en situaciones inesperadas.
- f. **Use ropa adecuada. No se ponga ropa suelta o joyas.** Mantenga el cabello, la ropa y los guantes alejados de las piezas móviles. La ropa suelta, las joyas y el cabello largo pueden quedar atrapados en las piezas móviles.
- g. **Si los dispositivos disponen de conexión para extracción y recogida de polvo, compruebe que estos estén conectados y que se usen correctamente.**

El uso de un colector de polvo puede reducir los riesgos relacionados con el polvo.

### 4. Uso y cuidado de herramientas eléctricas

- a. **No sobrecargue la herramienta eléctrica. Use la herramienta eléctrica correcta para su trabajo.** La herramienta eléctrica correcta hará el trabajo mejor y en modo más seguro, a la velocidad para la cual ha sido diseñada.
  - b. **No utilice la herramienta eléctrica si el interruptor no se enciende o no se apaga.** Toda herramienta eléctrica que no pueda controlarse con el interruptor es peligrosa y debe ser reparada.
  - c. **Desconecte el enchufe de la fuente de alimentación y/o el paquete de baterías de la herramienta eléctrica antes de hacer cualquier ajuste o cambio de accesorios o antes de guardar las herramientas eléctricas.** Estas medidas preventivas reducen el riesgo de arranque accidental de la herramienta.
  - d. **Cuando no use las herramientas eléctricas, guárdelas fuera del alcance de los niños y no deje que las utilicen las personas que no están familiarizadas con ellas o con estas instrucciones.** Las herramientas eléctricas son peligrosas si son utilizadas por usuarios no capacitados para su uso.
  - e. **Realice el mantenimiento de sus herramientas eléctricas. Compruebe que las piezas móviles no estén desalineadas o bloqueadas, que no tengan piezas rotas ni ninguna otra condición que pueda afectar al funcionamiento de las herramientas eléctricas.** Si están dañadas, llévelas a reparar antes de utilizarlas. Muchos accidentes se producen porque las herramientas carecen de un mantenimiento adecuado.
  - f. **Mantenga las herramientas de corte limpias y afiladas.** Las herramientas de corte debidamente mantenidas probablemente se atascan menos y son más fáciles de controlar.
  - g. **Use la herramienta eléctrica, los accesorios y las puntas de la herramienta, etc. de acuerdo con estas instrucciones, teniendo en cuenta las condiciones de trabajo y el trabajo que va a realizar.** Usar la herramienta eléctrica para operaciones diferentes a las indicadas puede causar situaciones de riesgo.
- ### 5. Reparaciones
- a. **Haga reparar la herramienta eléctrica por una persona cualificada para efectuar reparaciones usando solo piezas de repuesto idénticas.** Esto asegura que se mantenga la seguridad de la herramienta eléctrica.

## Advertencias de seguridad adicionales para herramientas eléctricas



**Advertencia.** Advertencias de seguridad adicionales para taladros y taladros de percusión.

- ◆ **Utilice protectores para los oídos con los taladros de percusión.** La exposición al ruido puede provocar pérdida auditiva.
- ◆ **Utilice las empuñaduras auxiliares suministradas con la herramienta.** La pérdida de control puede provocar lesiones personales.
- ◆ **Sostenga la herramienta eléctrica por las superficies de agarre aisladas cuando realice una operación en la que el accesorio de corte pueda estar en contacto con un cable oculto.** El contacto de los accesorios de corte con un cable "cargado", puede cargar las partes metálicas expuestas de la herramienta eléctrica y producir una descarga eléctrica al operador.
- ◆ **No utilice nunca un accesorio de cincelado en modo giratorio.** El accesorio se bloquearía en el material y giraría la broca.
- ◆ **Utilice fijaciones u otro tipo de método para fijar y apoyar la pieza de trabajo en una plataforma estable.** Si sostiene la pieza de trabajo con las manos o con su cuerpo, esta estará inestable y podrá hacer que usted pierda el control.
- ◆ **Antes de perforar paredes, suelos o techos, compruebe la ubicación de los cables y tuberías.**
- ◆ **Evite tocar la punta de una broca inmediatamente después de taladrar, ya que puede estar caliente.**
- ◆ **Las personas (incluidos los niños) con capacidades físicas, sensoriales o mentales disminuidas o que carezcan de experiencia y conocimientos no deben utilizar esta herramienta, salvo que hayan recibido supervisión o formación con respecto al uso del aparato por parte de una persona responsable de su seguridad.** Los niños deben vigilarse en todo momento para garantizar que el aparato no se toma como elemento de juego.
- ◆ **En este manual de instrucciones se describe el uso previsto.** La utilización de accesorios o dispositivos auxiliares o la realización de operaciones distintas a las recomendadas en este manual de instrucciones para esta herramienta puede presentar riesgo de lesiones personales y/o de daños materiales.
- ◆ **Utilice una mascarilla protectora siempre que el trabajo pueda producir polvo o que salten partículas.**

## Seguridad de otras personas

- ◆ Este aparato no se destina al uso por parte de personas (incluyendo los niños) con capacidades físicas, sensoriales o mentales reducidas, o que carezcan de experiencia o del conocimiento necesario, a menos que estén

supervisadas o reciban las instrucciones relativas al uso del aparato por una persona encargada de su seguridad.

- ◆ Los niños deben vigilarse en todo momento para garantizar que el aparato no se toma como elemento de juego.

## Riesgos residuales.

El uso de esta herramienta puede producir riesgos residuales adicionales no incluidos en las advertencias de seguridad adjuntas. Estos riesgos se pueden generar por un uso incorrecto, demasiado prolongado, etc.

El cumplimiento de las normas de seguridad correspondientes y el uso de dispositivos de seguridad no evitan ciertos riesgos residuales. Dichos riesgos incluyen:

- ◆ Lesiones producidas por el contacto con piezas móviles o giratorias.
- ◆ Lesiones producidas al cambiar cualquier pieza, hoja o accesorio.
- ◆ Lesiones producidas al usar una herramienta por un tiempo demasiado prolongado. Si utiliza una herramienta durante períodos de tiempo demasiado prolongados, asegúrese de realizar pausas con frecuencia.
- ◆ Deterioro auditivo.
- ◆ Riesgos para la salud producidos al respirar el polvo que se genera al usar la herramienta (por ejemplo: en los trabajos con madera, especialmente de roble, haya y tableros de densidad mediana).

## Vibración

Los valores de emisión de vibraciones declarados en el apartado de características técnicas y en la declaración de conformidad se han calculado según un método de prueba estándar proporcionado por la norma EN 60745 y podrán utilizarse para comparar una herramienta con otra. El valor de emisión de vibraciones especificado también puede utilizarse en una evaluación preliminar de la exposición.

**Advertencia.** El valor de emisión de vibraciones durante el funcionamiento real de la herramienta eléctrica puede diferir del valor declarado en función de cómo se utilice dicha herramienta. El nivel de las vibraciones puede aumentar por encima del nivel declarado.

Al evaluar la exposición a las vibraciones con el fin de determinar las medidas de seguridad que exige la directiva 2002/44/CE para proteger a las personas que utilizan periódicamente herramientas eléctricas en el entorno laboral, deberá tenerse en cuenta una estimación de la exposición a las vibraciones, las condiciones de uso reales y el modo de empleo de la herramienta, así como los pasos del ciclo operativo como, por ejemplo, el número de veces que la herramienta se apaga, el tiempo que está parada y el tiempo de activación.

## Etiquetas en la herramienta

Junto con el código de la fecha, en la herramienta aparecen los siguientes pictogramas:



**Advertencia.** Para reducir el riesgo de lesiones, el usuario debe leer el manual de instrucciones.



Lleve protectores para los oídos cuando trabaje con taladros percutores. La exposición al ruido puede provocar pérdida auditiva.

## Seguridad eléctrica



Esta herramienta lleva un doble aislamiento; por lo tanto, no requiere una toma de tierra. Compruebe siempre que el voltaje suministrado corresponda al indicado en la placa de características.

- ◆ En caso de dañarse el cable de alimentación, deberá ser sustituido por el fabricante o por un centro de asistencia técnica autorizado de BLACK+DECKER para evitar cualquier riesgo.

## Características

Este aparato incluye una o más de las siguientes características.

1. Interruptor de velocidad variable
2. Botón de funcionamiento continuo
3. Interruptor de avance/retroceso
4. Selector de modo de perforación
5. Mandril
6. Bloqueo del mandril
7. Empuñadura lateral

## Montaje

**Advertencia.** Antes del montaje, compruebe que la herramienta esté apagada y desenchufada.

### Montaje de la empuñadura lateral (Fig. A)

- ◆ Gire el mango en sentido antihorario hasta que pueda deslizar la empuñadura lateral (7) hacia la parte delantera de la herramienta.
- ◆ Gire la empuñadura lateral hacia la posición que desee.
- ◆ Gire el mango hacia la derecha para apretar la empuñadura lateral.

### Montaje de un accesorio (Fig. B)

- ◆ Pulse el bloqueo del mandril (6).
- ◆ Abra el mandril girando en sentido antihorario el manguito (5).
- ◆ Inserte el mango de la broca (8) en el mandril.
- ◆ Gire el manguito en sentido antihorario para apretar el mandril.

## Uso

**Advertencia.** Deje que la herramienta funcione a su ritmo. No la sobrecargue.

**Advertencia.** Antes de perforar paredes, pisos o techos, compruebe la ubicación del cableado y las tuberías.

### Encendido y apagado (Fig. C)

- ◆ Para encender la herramienta, pulse el interruptor de velocidad variable (1). La velocidad de la herramienta depende de la presión que se aplique al interruptor.
- ◆ Para el funcionamiento continuo, pulse el botón de bloqueo (2) y suelte el interruptor de velocidad variable. Esta opción no funciona con la rotación de retroceso.
- ◆ Para apagar la herramienta, suelte el interruptor de velocidad variable. Para apagar la herramienta cuando está en funcionamiento continuo, vuelva a apretar el interruptor de velocidad variable y suéltelo.

### Selección del sentido de la rotación (Fig. D)

Para perforar y apretar tornillos, utilice la rotación hacia delante (en sentido horario). Para aflojar tornillos o retirar una broca atascada, use el giro hacia atrás (en sentido antihorario).

- ◆ Para seleccionar la rotación hacia delante, empuje el botón deslizante de avance/retroceso (3) a la izquierda.
- ◆ Para seleccionar la rotación hacia atrás, empuje el botón deslizante de avance/retroceso a la derecha.

**Advertencia.** No cambie nunca la dirección de la rotación mientras el motor está en marcha.

### Selección del modo de taladrado (Fig. E)

- ◆ Para la perforación por percusión en mampostería y hormigón, coloque el selector de modo de taladrado (4) en la posición **T**.
- ◆ Para perforar acero, madera y plásticos, ajuste el selector de modo de funcionamiento (4) en la posición **1**.

## Accesorios

El funcionamiento de la herramienta dependerá del accesorio que se utilice.

Los accesorios de BLACK+DECKER se han fabricado siguiendo estándares de alta calidad y se han diseñado para mejorar el funcionamiento de la herramienta. Con estos accesorios, sacará el máximo provecho a su herramienta.

## Mantenimiento

Su aparato o herramienta con o sin cable de BLACK+DECKER ha sido diseñada para funcionar durante un largo periodo de tiempo con un mantenimiento mínimo. El funcionamiento satisfactorio y continuo depende del buen cuidado de la herramienta y de una limpieza frecuente.

**Advertencia.** Antes de realizar el mantenimiento de las herramienta con cable o sin cable:

- ◆ Apague y desenchufe el aparato o herramienta.

- ◆ O apague el aparato o herramienta y extraiga la batería si tiene la batería por separado.
- ◆ O, en caso de batería integrada, agótela por completo y, a continuación, apague la herramienta.
- ◆ Desenchufe el cargador antes de limpiarlo. El cargador no requiere ningún mantenimiento especial excepto la limpieza periódica.
- ◆ Limpie periódicamente las ranuras de ventilación del aparato/herramienta/cargador usando un cepillo suave o un paño seco.
- ◆ Limpie periódicamente la carcasa del motor con un paño húmedo. No utilice limpiadores abrasivos o a base de disolventes.
- ◆ Abra regularmente el mandril y golpéelo suavemente para eliminar cualquier resto de polvo que pudiera tener en su interior (cuando está colocado).


### Sustitución del enchufe de red (solo para Reino Unido e Irlanda)

Si debe colocar un nuevo enchufe de red:

- ◆ Deseche el enchufe anterior según las normas de seguridad.
- ◆ Conecte el cable marrón al terminal conductor del nuevo enchufe.
- ◆ Conecte el cable azul al terminal neutro.

**Advertencia.** No deberá realizar ninguna conexión al terminal de tierra. Siga las instrucciones de ajuste suministradas con enchufes de buena calidad. Fusible recomendado: 5 A.

### Protección del medioambiente

-  Recogida selectiva. Los productos y las baterías marcadas con este símbolo no se deben eliminar con los residuos domésticos normales.

Los productos y las baterías que contienen materiales que se puedan recuperar o reciclar reducen la demanda de materias primas. Recicle los productos eléctricos y las baterías de conformidad con la normativa local.

Puede obtener más información en [www.2helpU.com](http://www.2helpU.com)

### Datos técnicos

		BEH550	BEH710
Voltaje de entrada	V <sub>CA</sub>	230	230
Velocidad en vacío	min <sup>-1</sup>	0 - 2800	0 - 2800
Índice de impactos	min. <sup>-1</sup>	0 - 47600	0 - 47600
Peso	kg	1.7	1.76
<b>Capacidad máxima de perforación</b>			
Hormigón	mm	13	13
Acero	mm	13	13
Madera	mm	25	25

BEH550 Nivel de presión acústica conforme a la norma EN 60745:	
Presión acústica (L <sub>pA</sub> )	93,5 dB(A), incertidumbre (K) 3 dB(A)
Potencia acústica (L <sub>WA</sub> )	104,5 dB(A), Incertidumbre (K) 3 dB(A)
BEH710 Nivel de presión acústica conforme a la norma EN 60745:	
Presión acústica (L <sub>pA</sub> )	95,5 dB(A), incertidumbre (K) 3 dB(A)
Potencia acústica (L <sub>WA</sub> )	106,5 dB(A), Incertidumbre (K) 3 dB(A)
BEH550 Valores totales de vibración (suma vectorial triaxial) de acuerdo con la norma EN 60745:	
Perforación de hormigón con impacto (a <sub>h, ID</sub> )	14,8 m/s <sup>2</sup> , incertidumbre (K) 1,5 m/s <sup>2</sup>
Perforación de metal (a <sub>h, D</sub> )	2,8 m/s <sup>2</sup> , incertidumbre (K) 1,5 m/s <sup>2</sup>
BEH710 Valores totales de vibración (suma vectorial triaxial) de acuerdo con la norma EN 60745:	
Perforación de hormigón con impacto (a <sub>h, ID</sub> )	16,2 m/s <sup>2</sup> , incertidumbre (K) 1,5 m/s <sup>2</sup>
Perforación de metal (a <sub>h, D</sub> )	3,5 m/s <sup>2</sup> , incertidumbre (K) 1,5 m/s <sup>2</sup>

### Declaración de conformidad CE DIRECTIVA DE MÁQUINAS



Taladro percutor BEH550, BEH710

Black & Decker declara que los productos descritos en "datos técnicos" cumplen las siguientes normas:

EN60745-1:2009+A11:2010, EN60745-2-1:2010.

Estos productos también cumplen las Directivas 2014/30/UE, 2006/42/CE y 2011/65/UE.

Para más información, póngase en contacto con Black & Decker en la siguiente dirección o consulte la parte posterior del manual.

El abajo firmante es el responsable de la compilación del archivo técnico y realiza esta declaración en representación de Black & Decker.

R. Laverick  
 Director de Ingeniería  
 Black & Decker Europa, 210 Bath Road, Slough,  
 Berkshire, SL1 3YD  
 Reino Unido  
 14/12/2017

## Garantía

Black & Decker confía en la calidad de sus productos y ofrece a los consumidores una garantía de 24 meses a partir de la fecha de compra. Esta garantía es adicional a sus derechos legales y no los menoscaba en modo alguno. La garantía es válida dentro de los territorios de los Estados Miembros de la Unión Europea y del Área de Libre Comercio Europea.

Para reclamar la garantía, la reclamación se debe presentar de conformidad con las condiciones de Black & Decker. Tendrá que adjuntar un justificante de compra al vendedor o al agente técnico autorizado. Las condiciones de la garantía de 2 años de Black & Decker y la ubicación de su agente técnico autorizado más cercano se pueden obtener en Internet en [www.2helpU.com](http://www.2helpU.com) o poniéndose en contacto con su oficina local de Black & Decker en la dirección que se indica en este manual.

Visite nuestro sitio web [www.blackanddecker.co.uk](http://www.blackanddecker.co.uk) y registre su nuevo producto Black & Decker para mantenerse al día sobre los nuevos productos y las ofertas especiales.

## Utilização pretendida

O seu berbequim de percussão BLACK+DECKER BEH550, BEH710 foi concebido para perfurar madeira, metal, plástico e alvenaria, e também como aparafusadora. Esta ferramenta destina-se apenas para utilização doméstica.

## Instruções de segurança

### Avisos de segurança gerais para ferramentas eléctricas



**Atenção! Leia todos os avisos de segurança e todas as instruções.** O não cumprimento dos avisos e instruções indicados abaixo pode resultar em choque eléctrico, incêndio e/ou lesões graves.

Guarde todos os avisos e instruções para futura referência. A expressão "ferramenta eléctrica" utilizada nos avisos refere-se à sua ferramenta eléctrica com ligação à corrente eléctrica (com fio) ou ferramenta eléctrica.

### 1. Segurança na área de trabalho

- Mantenha a área de trabalho limpa e bem iluminada. Áreas desordenadas ou escuras são propícias a acidentes.

- Não utilize ferramentas eléctricas em ambientes **explosivos, como na presença de líquidos inflamáveis, gases ou poeira**. As ferramentas eléctricas criam faíscas que poderão inflamar as poeiras ou vapores.
- Mantenha crianças e outras pessoas afastadas durante a utilização da ferramenta eléctrica. As distrações podem levar à perda do controlo da ferramenta.

### 2. Segurança eléctrica

- As fichas da ferramenta eléctrica devem encaixar na tomada. Nunca modifique a ficha de qualquer maneira. Não utilize fichas de adaptador com ferramentas eléctricas ligadas à terra. As fichas não modificadas e as tomadas compatíveis reduzem o risco de choque eléctrico.
- Evite o contacto corporal com superfícies ligadas à terra, como tubos, radiadores, fogões de cozinha e frigoríficos. Se o corpo estiver em contacto com a terra há um maior risco de choque eléctrico.
- As ferramentas eléctricas não podem ser expostas à chuva ou a humidade. A entrada de água numa ferramenta eléctrica aumenta o risco de o utilizador.
- Manuseie o cabo com cuidado. Nunca utilize o cabo para transportar, puxar ou desligar a ferramenta eléctrica. Mantenha o cabo afastado de fontes de calor, substâncias oleosas, extremidades aguçadas ou peças móveis. Os cabos danificados ou emaranhados aumentam o risco de choque eléctrico.
- Quando utilizar ferramentas eléctricas no exterior, utilize uma extensão adequada para uso ao ar livre. A utilização de um cabo adequado para uso ao ar livre reduz o risco de choque eléctrico.
- Se não for possível evitar a utilização de uma ferramenta eléctrica num local húmido, utilize uma fonte de alimentação protegida com um dispositivo de corrente residual (DCR). A utilização de um DCR reduz o risco de o utilizador.

### 3. Segurança pessoal

- Mantenha-se sempre atento e concentre-se naquilo que está a fazer e seja prudente quando utilizar uma ferramenta eléctrica. Não utilize uma ferramenta eléctrica quando estiver cansado ou sob o efeito de drogas, álcool ou medicamentos. Um momento de distração durante a utilização da ferramenta poderá causar ferimentos graves.
- Utilize equipamento de protecção pessoal. Use sempre protecção ocular.



Equipamento de protecção, como máscaras anti-poeira, sapatos de segurança antiderrapantes, capacetes de segurança ou protecção auricular utilizado para condições adequadas ajuda a reduzir o risco de ferimentos.

- c. **Evite arranques involuntários. Certifique-se de que o interruptor está na posição desligada antes de ligar a ferramenta à fonte de alimentação e/ou a bateria, levantar ou transportar a ferramenta.** O transporte de ferramentas eléctricas com o dedo colocado no interruptor ou ligá-las quando o interruptor está na posição de ligado pode dar origem a acidentes.
- d. Retire eventuais chaves de ajuste ou chaves de fendas antes de ligar a ferramenta eléctrica. Uma chave de fenda ou de ajuste que se encontre numa peça em rotação da ferramenta eléctrica poderá causar lesões.
- e. Não tente chegar a pontos fora do alcance. Mantenha **sempre os pés bem apoiados e um equilíbrio apropriado.** Desta forma, será mais fácil controlar a ferramenta eléctrica em situações inesperadas.
- f. **Use vestuário adequado. Não use roupa larga ou jóias.** Mantenha o cabelo, a roupa e as luvas afastados das peças móveis. As roupas largas, as jóias ou o cabelo comprido podem ficar presos nestas peças.
- g. Se forem fornecidos dispositivos para a ligação de equipamentos de extracção de serradura e recolha de partículas, **certifique-se de que estes são ligados e utilizados correctamente.** A utilização de dispositivos de extracção de partículas pode reduzir os riscos relacionados com as mesmas.

#### 4. Utilização e manutenção da ferramenta eléctrica

- a. Não sobrearregue a ferramenta eléctrica. Utilize a ferramenta eléctrica correcta para o seu trabalho. A ferramenta eléctrica adequada irá efectuar o trabalho de um modo mais eficiente e seguro se for utilizada de acordo com a capacidade para a qual foi concebida.
- b. Não utilize a ferramenta eléctrica se o interruptor não puder ser ligado ou desligado. Qualquer ferramenta eléctrica que não possa ser controlada através do interruptor de alimentação é perigosa e tem de ser reparada.
- c. **Retire a ficha da tomada e/ou a bateria da ferramenta eléctrica antes de efectuar quaisquer ajustes no aparelho, substituir acessórios ou armazenar a ferramenta eléctrica.** Estas medidas de segurança reduzem o risco de o aparelho ser ligado acidentalmente.

- d. **Guarde as ferramentas eléctricas que não estiverem a ser utilizadas fora do alcance das crianças e não permita que a ferramenta eléctrica seja utilizada por pessoas não familiarizadas com a ferramenta ou com estas instruções.** Potência eléctricas são perigosas nas mãos de pessoas que não possuam as qualificações necessárias para as manusear.
- e. Proceda à manutenção das ferramentas eléctricas. **Verifique se as peças móveis da ferramenta estão alinhadas e não emperram, bem como se existem peças partidas ou danificadas ou quaisquer outras condições que possam afectar o funcionamento da mesma. Se a ferramenta eléctrica estiver danificada, esta não deve ser utilizada até que seja reparada.** Muitos acidentes têm como principal causa ferramentas com uma manutenção insuficiente.
- f. **Mantenha as ferramentas de corte afiadas e limpas.** Ferramentas de corte devidamente tratadas, com arestas de corte afiadas, emperram com menos frequência e controlam-se com maior facilidade.
- g. Utilize a ferramenta eléctrica, os acessórios e as peças, etc., de acordo com estas instruções, tendo em conta as condições de trabalho e a tarefa a ser efectuada. A utilização da ferramenta eléctrica para fins diferentes dos previstos poderá resultar em situações perigosas.

#### 5. Assistência

- a. A sua ferramenta eléctrica só deve ser reparada por **pessoal qualificado e só devem ser utilizadas peças sobressalentes idênticas.** Isto forma, é garantida a segurança da ferramenta eléctrica.

#### Avisos de segurança adicionais para ferramentas eléctricas



**Atenção!** Avisos de segurança adicionais para berbequins e berbequins de percussão.

- ◆ **Utilize protecção auditiva com berbequins de percussão.** A exposição ao ruído pode causar perda auditiva.
- ◆ **Utilize os punhos auxiliares fornecidos com a ferramenta.** A perda de controlo pode causar lesões pessoais.
- ◆ **Segure a ferramenta eléctrica apenas pelas superfícies isoladas específicas para o efeito ao efectuar uma operação em que o acessório de corte possa entrar em contacto com fios ocultos.** O acessório de corte que entre em contacto com um fio com tensão eléctrica poderão fazer com que as peças de metal expostas da ferramenta conduzam electricidade e electrocitem o utilizador.

- ◆ **Nunca utilize um acessório de cinzelagem no modo rotativo.** O acessório irá bloquear o material e fazer rodar a broca.
- ◆ **Utilize grampos ou outro sistema prático para fixar e apoiar a peça numa plataforma estável.** Segurar a peça com a mão ou contra o corpo pode causar instabilidade e perda de controlo.
- ◆ **Antes de perfurar as paredes, tectos ou chãos, verifique a localização de cablagem e tubos.**
- ◆ **Evite tocar na ponta de uma broca mesmo depois de perfurar, uma vez que esta poderá estar quente.**
- ◆ **Esta ferramenta não deve ser utilizada por pessoas (incluindo crianças) que apresentem capacidades físicas, sensoriais ou mentais reduzidas ou que não possuam os conhecimentos e a experiência necessários, excepto se forem vigiadas e instruídas acerca da utilização do aparelho por uma pessoa responsável pela sua segurança.** As crianças deverão ser vigiadas para que não mexam no aparelho.
- ◆ **A utilização adequada é descrita neste manual de instruções.** A utilização de qualquer acessório ou a realização de qualquer operação com esta ferramenta que não se inclua no presente manual de instruções poderá representar um risco de ferimentos e/ou danos materiais.
- ◆ **Utilize uma máscara de protecção contra poeiras sempre que a utilização possa produzir poeiras ou partículas em suspensão.**

### Segurança de terceiros

- ◆ Este aparelho não deve ser utilizado por pessoas (incluindo crianças) com capacidades físicas, sensoriais ou mentais reduzidas ou com falta de experiência e conhecimentos, a menos que sejam acompanhadas ou tenham recebido formação sobre a utilização deste equipamento por uma pessoa responsável pela sua segurança.
- ◆ As crianças deverão ser vigiadas para que não mexam no aparelho.

### Riscos residuais.

Podem surgir riscos residuais adicionais durante a utilização da ferramenta, que poderão não constar nos avisos de segurança incluídos. Estes riscos podem resultar de má utilização, uso prolongado, etc.

Mesmo com o cumprimento dos regulamentos de segurança relevantes e a implementação de dispositivos de segurança, alguns riscos residuais não podem ser evitados. Estes incluem:

- ◆ Ferimentos causados pelo contacto com peças em rotação/movimento.
- ◆ Ferimentos causados durante a troca de peças, lâminas ou acessórios.

- ◆ Ferimentos causados pela utilização prolongada de uma ferramenta. Quando utilizar uma ferramenta durante períodos prolongados, certifique-se de que faz pausas regularmente.
- ◆ Danos auditivos.
- ◆ Problemas de saúde causados pela inalação de poeiras resultantes da utilização da ferramenta (exemplo: trabalhos em madeira, especialmente carvalho, faia e MDF).

### Vibração

Os valores de emissão de vibração declarados na secção de dados técnicos e na declaração de conformidade foram medidos de acordo com o método de teste padrão fornecido pela norma EN 60745 e podem ser utilizados para comparar ferramentas. O valor de emissão de vibração declarado pode ainda ser utilizado numa avaliação preliminar de exposição. **Atenção!** O valor de emissão de vibração durante a utilização real da ferramenta eléctrica pode ser diferente do valor declarado, dependendo da forma como a ferramenta é utilizada. O nível de vibração pode aumentar acima do nível indicado.

Quando avaliar a exposição da vibração para determinar as medidas de segurança exigidas pela Diretiva 2002/44/CE para proteger pessoas que utilizem regularmente ferramentas eléctricas na sua atividade profissional, deve ser considerada uma estimativa de exposição de vibração, as condições reais de utilização e o modo de utilização da ferramenta, incluindo ainda todas as partes do ciclo de funcionamento, como os períodos de inatividade e espera da ferramenta, além do tempo de funcionamento.

### Etiquetas colocadas na ferramenta

A ferramenta apresenta os seguintes pictogramas de aviso juntamente com o código de data:



Atenção! Para reduzir o risco de ferimentos, o utilizador deve ler o manual de instruções.



Utilize protecção auditiva com berbequins de percussão. A exposição ao ruído pode causar perda auditiva.

### Segurança eléctrica



Esta ferramenta tem isolamento duplo. Por esse motivo, não precisa de ligação à terra. Verifique sempre se a tensão da tomada de electricidade corresponde à voltagem indicada na placa com os requisitos de alimentação da ferramenta.

- ◆ Se o cabo de alimentação for danificado, terá de ser substituído pelo fabricante ou por um centro de assistência autorizado BLACK+DECKER para evitar acidentes.

## Componentes

Este aparelho inclui algumas ou todas as seguintes características.

1. Interruptor de velocidade variável
2. Botão de bloqueio
3. Interruptor para a frente/para trás
4. Selector de modo de perfuração
5. Mandril
6. Bloqueio do mandril
7. Punho lateral

## Montagem

**Atenção!** Antes da montagem, certifique-se de que a ferramenta está desligado e que não está ligado à corrente eléctrica.

### Encaixar o punho lateral (fig. A)

- ◆ Rode o punho no sentido oposto ao dos ponteiros do relógio até conseguir deslocar o punho lateral (7) para a parte da frente da ferramenta, como indicado.
- ◆ Rode o cabo lateral para a posição pretendida.
- ◆ Aperte o cabo lateral, rodando o punho no sentido dos ponteiros do relógio.

### Montar um acessório (fig. B)

- ◆ Pressione o bloqueio do mandril (6)
- ◆ Abra o mandril rodando a manga (5) no sentido oposto aos ponteiros do relógio.
- ◆ Coloque o veio de pontas (8) no mandril.
- ◆ Aperte o mandril rodando a manga no sentido dos ponteiros do relógio.

## Utilização

**Atenção!** Não altere o ritmo de funcionamento da ferramenta. Não sobrecarregue.

**Atenção!** Antes de perfurar paredes, pisos ou tectos, verifique a localização de cablagem e tubos.

### Ligar e desligar (Fig. C)

- ◆ Para ligar a ferramenta, prima o interruptor de velocidade variável (1).  
A velocidade da ferramenta depende da intensidade da pressão no botão.
- ◆ Para obter um funcionamento contínuo, pressione o botão de bloqueio (2) e solte o interruptor de velocidade variável. Esta opção não funciona na rotação para trás.
- ◆ Para desligar a ferramenta, solte o interruptor de velocidade variável. Para desligar a ferramenta quando estiver no modo de funcionamento contínuo, prima o interruptor de velocidade variável e solte-o.

### Seleção do sentido de rotação (Fig. D)

Para perfuração e para apertar parafusos, utilize a rotação para a frente (no sentido dos ponteiros do relógio). Para desapertar parafusos ou remover uma broca de perfuração encravada, utilize a rotação de recuo (no sentido contrário ao dos ponteiros do relógio).

- ◆ Para seleccionar a rotação para a frente, empurre a patilha para a frente/para trás (3) para a esquerda.
- ◆ Para seleccionar a rotação para trás, empurre a patilha para a frente/trás para a direita.

**Atenção!** Nunca mude a direcção de rotação enquanto o motor estiver a funcionar.

### Seleccionar o modo de perfuração (Fig. E)

- ◆ Para perfuração com percussão em alvenaria e em betão, coloque o Selector de modo de berbequim (4) na posição **T**.
- ◆ Para perfurar aço, madeira e plástico, ou para apertar parafusos, coloque o selector do modo de funcionamento (4) na posição **1**.

## Acessórios

O desempenho da sua ferramenta depende do acessório utilizado. Os acessórios BLACK+DECKER são concebidos segundo normas de elevada qualidade e desenvolvidos de modo a melhorar o desempenho da sua ferramenta. Utilizando estes acessórios, tirará o melhor partido da sua ferramenta.

## Manutenção

O seu aparelho/ferramenta com/sem fios BLACK+DECKER foi concebido para funcionar durante muito tempo, com um mínimo de manutenção. Uma utilização continuamente satisfatória depende de uma manutenção apropriada da ferramenta e de uma limpeza regular.

**Atenção!** Antes de proceder a qualquer acção de manutenção em ferramentas eléctricas com fio/sem fios:

- ◆ Desligue o aparelho/ferramenta e retire a respectiva ficha da tomada.
- ◆ Ou desligue o aparelho e remova a bateria do acessório/ferramenta se o acessório/ferramenta tiver uma bateria independente.
- ◆ Ou deixe a bateria descarregar completamente se estiver incorporada e, em seguida, desligue-a.
- ◆ Desligue o carregador antes de o limpar. O seu carregador não necessita de manutenção para além da limpeza regular.
- ◆ Limpe regularmente as aberturas de ventilação do acessório/ferramenta/com uma escova suave ou um pano seco.

- ◆ Limpe regularmente o compartimento do motor com um pano húmido. Não utilize produtos de limpeza abrasivos ou à base de dissolventes.
- ◆ Abra o mandril regularmente e sacuda-o para remover qualquer vestígio de pó do interior (caso esteja instalado).


### Substituição da ficha de alimentação (apenas Reino Unido e Irlanda)

Se for necessário instalar uma nova ficha de alimentação:

- ◆ Elimine com segurança a ficha antiga.
- ◆ Ligue o cabo castanho ao terminal activo na nova ficha.
- ◆ Ligue o cabo azul ao terminal neutro.

**Atenção!** Não deve ser efetuada qualquer ligação ao terminal de terra. Siga as instruções de instalação fornecidas com fichas de boa qualidade. Fusível recomendado: 5 A.

### Proteção do ambiente

-  Faça uma recolha de lixo seletiva. Os produtos e as baterias assinaladas com este símbolo não devem ser eliminados juntamente com o lixo doméstico normal.

Os produtos e as baterias contêm materiais que podem ser recuperados ou reciclados, reduzindo assim a necessidade de matérias-primas. Recicle os produtos eléctricos e as pilhas de acordo com as disposições locais.

Estão disponíveis mais informações em [www.2helpU.com](http://www.2helpU.com)

### Dados técnicos

		BEH550	BEH710
Tensão de entrada	$V_{CA}$	230	230
Velocidade sem carga	min. <sup>-1</sup>	0 - 2800	0 - 2800
Níveis de percussão	min. <sup>-1</sup>	0 - 47600	0 - 47600
Peso	kg	1,7	1,76
Capacidade máx. de perfuração			
Betão	mm	13	13
Aço	mm	13	13
Madeira	mm	25	25

BEH550 Nível de pressão acústica, de acordo com a norma EN 60745:	
Pressão acústica ( $L_{pA}$ )	93,5 dB(A), variabilidade (K) 3 dB(A)
Polência acústica ( $L_{WA}$ )	104,5 dB(A), incerteza (K) 3 dB(A)

BEH710 Nível de pressão acústica, de acordo com a norma EN 60745:	
Pressão acústica ( $L_{pA}$ )	95,5 dB(A), variabilidade (K) 3 dB(A)
Polência acústica ( $L_{WA}$ )	106,5 dB(A), incerteza (K) 3 dB(A)

BEH550 Valores totais de vibração (soma de vector triax) de acordo com a norma EN 60745:	
Perfurar com percussão em betão ( $a_{h, ID}$ )	14,8 m/s <sup>2</sup> , imprecisão (K) 1,5 m/s <sup>2</sup>
Perfurar em metal ( $a_{h, D}$ )	2,8 m/s <sup>2</sup> , imprecisão (K) 1,5 m/s <sup>2</sup>

BEH710 Valores totais de vibração (soma de vetores triaxiais) de acordo com EN 60745:	
Perfurar com percussão em betão ( $a_{h, ID}$ )	16,2 m/s <sup>2</sup> , imprecisão (K) 1,5 m/s <sup>2</sup>
Perfurar em metal ( $a_{h, D}$ )	3,5 m/s <sup>2</sup> , imprecisão (K) 1,5 m/s <sup>2</sup>

### Declaração de conformidade CE DIRETIVA "MÁQUINAS"



BEH550, BEH710 Berbequim de percussão  
A Black & Decker declara que os produtos descritos nos "dados técnicos" estão em conformidade com: EN60745-1:2009+A11:2010, EN60745-2-1:2010.  
Estes produtos estão também em conformidade com a directiva 2014/30/UE, 2006/42/CE e 2011/65/UE.

Para obter mais informações, contacte a Black & Decker através do endereço seguinte ou consulte o verso do manual.

O signatário é responsável pela compilação do ficheiro técnico e efetua esta declaração em nome da Black & Decker.

R. Laverick  
Diretor de Engenharia  
Black & Decker Europe, 210 Bath Road,  
Berkshire, SL1 3YD  
Reino Unido  
14/12/2017

### Garantia

A Black & Decker confia na qualidade dos seus produtos e oferece aos clientes uma garantia de 24 meses a partir da data de compra. Esta garantia é um complemento dos seus direitos estabelecidos por lei, não os prejudicando de forma alguma. A garantia é válida nos Estados-membros da União Europeia e nos países-membros da Zona Europeia de Comércio Livre.

Para acionar a garantia, esta deve estar em conformidade com os termos e condições da Black & Decker e terá de apresentar comprovativos de compra ao vendedor ou a um agente de reparação autorizado. Os termos e condições da garantia de 2 anos da Black & Decker e a localização do agente de reparação autorizado mais próximo podem ser obtidos na Internet em [www.2helpU.com](http://www.2helpU.com) ou contactando uma filial da Black & Decker, cuja morada está indicada neste manual.

Visite o nosso Website [www.blackanddecker.co.uk](http://www.blackanddecker.co.uk) para registar o seu novo produto Black & Decker e receber actualizações sobre novos produtos e ofertas especiais.

## Avsedd användning

Din BLACK+DECKER BEH710 slagbormmaskin är avsedd för borrar i trä, metall, plast och murverk, samt för skruvdragning. Detta verktyg är endast avsett för konsumentbruk.

## Säkerhetsinstruktioner

### Allmänna säkerhetsanvisningar för elverktyg



**Varning! Läs alla säkerhetsvarningar och alla instruktioner.** Om inte alla varningar och instruktioner som listas här nedan följs kan det resultera i elektrisk stöt, eldsvåda och/eller allvarlig personskada.

Spara alla säkerhetsföreskrifter och anvisningar för framtida bruk. Begreppet "Elverktyg" som använts i alla varningar refererar till nätdrivna elverktyg (med nätsladd) eller batteridrivna (sladdlösa) elverktyg.

### 1. Säkerhet på arbetsplatsen

- Se till att arbetsområdet är rent och väl belyst. Belamrade eller mörka områden uppmuntrar till olyckor.
- Använd inte elverktyg i explosiv atmosfär, såsom där det finns brännbara vätskor, gaser eller damm. Elverktyg ger upphov till gnistor som kan antända damm eller ångor.
- Håll barn och andra obehöriga personer på avstånd vid arbete med elverktyget. Distraktioner kan göra att du förlorar kontrollen.

### 2. Elsäkerhet

- Elverktygets stickkontakt måste passa i eluttaget. **Modificera aldrig kontakten på något sätt.** Använd inte någon adapterkontakt med jordade (jordanslutna) elverktyg. Omodifierade kontakter och passande uttag minskar risken för elektrisk stöt.
- Undvik kroppskontakt med jordade ytor såsom rör, radiatorer, räckan och kylskåp. Det finns en ökad risk för elektrisk stöt om kroppen är jordad.
- Utsätt inte elverktyget för regn eller våta omgivningar. Vatten som kommer in i ett elverktyg ökar risken för elektrisk stöt.
- Misshandla inte nätsladden. Använd aldrig sladden för att bära, dra i eller dra ur kontakten för elverktyget. Håll sladden borta från värme, olja, skarpa kanter eller rörliga i rörelse.

Skadade eller tillrasslade sladdar ökar risken för elektrisk stöt.

- När elverktyg används utomhus, använd en förlängningssladd som är lämpligt för utomhusbruk. Användning av en sladd som passar för utomhusbruk minskar risken för elektrisk stöt.
  - Om ett elverktyg används på en fuktig plats inte kan undvikas, använd en jordfelsbrytare som skyddar strömförsörjning. Att använda en jordfelsbrytare minskar risken elektrisk stöt.
- Personlig säkerhet
    - Var uppmärksam, tänk på vad du gör och använd sunt förnuft. När elverktyg hanteras. Använd inte ett elverktyg när du är trött eller under påverkan av droger, alkohol eller mediciner. Ett ögonblick av ouppmärksamhet vid arbete med elverktyg kan resultera i personskada.
    - Använd personlig skyddsutrustning. Använd alltid skyddsglasögon. Skyddsutrustning såsom dammask, halkfria skyddsskor, hjälm eller hörselskydd använda under lämpliga förhållanden kommer att minska risken för personsador.
    - Förhindra oavsiktlig start. Se till att strömbrytaren är i avstängt läge innan strömkällan ansluts och/eller batteripaketet sätts i, verktyget lyfts upp eller bärs. Bära ett elverktyg med fingrarna på strömbrytaren eller strömsatta elverktyg med strömbrytaren påslagen inbjuder till olyckor.
    - Ta bort alla inställningsverktyg och skruvnycklar innan elverktyget slås på. En skiftnyckel eller en nyckel som sitter kvar i en roterande del på elverktyget kan resultera i personsador.
    - Sträck dig inte för mycket. Ha ordentligt fotfäste och balans hela tiden. Detta möjliggör bättre kontroll av elverktyget i oväntade situationer.
    - Bär lämpliga kläder. Bär inte lösa kläder eller smycken. Håll hår, kläder och handskar borta från delar i rörelse. Löst sittande kläder, smycken eller långt hår kan fastna i delar i rörelse.
    - Om enheterna är försedda med anslutning för dammsugnings- och uppsamlingsmöjligheter, se till att dessa är anslutna och används korrekt. Användning av dammuppsamling kan minska dammrelaterade faror.
  - Användning och skötsel av elverktyg
    - Överbelasta inte elverktyget. Använd korrekt elverktyg för arbetet. Korrekt elverktyg kommer att utföra arbetsuppgifterna bättre och säkrare i den hastighet som det designats för.
    - Använd inte elverktyget om det inte kan startas och stängas av med strömbrytaren.

Alla elverktyg som inte kan kontrolleras med strömbrytaren är farliga och måste repareras.

- c. **koppla ifrån kontakten till strömkällan och/eller batteripaketet från elverktyget innan några inställningar, byte av tillbehör görs eller elverktyget förvaras.** Sådana preventiva säkerhetsåtgärder minskar risken att elverktyget startar oavsiktligt.
- d. **Förvara elverktyg som inte används utom räckhåll för barn och låt inte personer som är obekanta med elverktyget eller dessa instruktioner använda elverktyget.** Energi är farliga i händerna på utbildade användare.
- e. **Underhålla elverktyg. Kontroller om det finns felaktiga inställningar eller rörliga delar som sitter fast, delar som är trasiga och alla andra förhållanden som kan påverka elverktygets funktion.** Om det är skadat, se till att elverktyget blir reparerat före användningen. Många olyckor orsakas av dåligt underhållna verktyg.
- f. **Håll kapverktyg vassa och rena.** Korrekt underhållna kapverktyg med vassa sågkanter har mindre benägenhet att fastna och är lättare att kontrollera.
- g. **Använd elverktyget, tillbehör och verktygsbits etc. i enlighet med dessa instruktioner, tänk också på arbetsförhållandena och hur arbetet skall utföras.** Användning av elverktyget för annat arbete än avsedda kan resultera i farliga situationer.

## 5. Service

- a. **Låt elverktyget få service av en kvalificerad reparatör som endast använder identiska reservdelar.** Detta säkerställer att elverktygets säkerhet bibehålls.

## Ytterligare säkerhetsanvisningar för elverktyg



**Varning!** Ytterligare säkerhetsanvisningar för bormaskiner och slagbormaskiner.

- ◆ **Bär hörselskydd när du använder slagborrar.** Exponering för buller kan leda till hörselskador.
- ◆ **Använd de extrahandtag som medföljer verktyget.** Tappad kontroll kan orsaka personskador.
- ◆ **Håll elverktyget i isolerade greppytor under arbete där sågtillbehör kan komma i kontakt med dolda strömförande ledningar.** Kapitillbehör som kommer i kontakt med en strömförande ledning kan göra att exponerade metalldelar hos elverktyget blir strömförande och kan ge användaren en elektrisk stöt.
- ◆ **Använd aldrig ett mejselfällbehör i borrhåll.** Tillbehöret kläms fast i materialet och bormaskinen vrids.
- ◆ **Använd klämmor eller något annat praktiskt sätt att stödja arbetsstycket vid ett stabilt underlag.** Att hålla arbetet för hand eller mot kroppen är instabilt och kan göra att du förlorar kontrollen.

- ◆ **Innan du borrar i väggar, golv eller tak ska du kontrollera var rör eller elledning finns.**
- ◆ **Undvik att vidröra borrens spets precis efter borring,** eftersom den kan bli väldigt varm.
- ◆ **Verktyget ska inte användas av personer (inklusive barn) med nedsatt fysisk eller mental förmåga eller bristande erfarenhet och kunskap om de inte får vägledning och övervakas av en person som ansvarar för deras säkerhet.** Barn bör övervakas för att garantera att de inte leker med apparaten.
- ◆ **Avsedd användning beskrivs i denna bruksanvisning.** Om andra tillbehör eller tillsatser används, eller om någon annan åtgärd än de som rekommenderas i den här bruksanvisningen utförs med verktyget kan personer och/eller egendom ta skada.
- ◆ **Använd ansikts- eller munskydd när damm eller flygande partiklar kan uppstå.**

## Andras säkerhet

- ◆ Denna apparat är inte avsedd att användas av personer (inklusive barn) med reducerad fysisk, sensorisk eller mental förmåga eller med begränsad erfarenhet eller kunskap såvida inte de är under uppsikt eller fått instruktioner om användning av apparaten av en person som är ansvarig för deras säkerhet.
- ◆ Barn bör övervakas för att garantera att de inte leker med apparaten.

## Övriga risker.

Ytterligare risker som inte finns med i de bifogade säkerhetsanvisningarna kan uppstå när verktyget används. Dessa risker kan uppstå vid felaktig eller långvarig användning, etc. Även om alla relevanta säkerhetsanvisningar följs och säkerhetsanordningar används kan vissa ytterligare risker inte undvikas. Dessa omfattar:

- ◆ **Skador orsakade av att roterande/rörliga delar vidrörs.**
- ◆ **Skador som uppstår vid byte av delar, blad eller tillbehör.**
- ◆ **Skador som orsakas av långvarig användning av ett verktyg.** Se till att regelbundet ta vilopauser när du använder ett verktyg under en längre period.
- ◆ **Hörselnedsättning.**
- ◆ **Hälsorisker orsakade av inandning av damm när redskapet används (exempel: arbete med trä, särskilt ek, bok och MDF)**

## Vibrationer

De vibrationsvärden som anges i avsnitten Tekniska data och deklarationen om överensstämmelse har uppmätts i enlighet med en standardtestmetod föreskriven i EN 60745 och kan användas för jämförelse med andra verktyg. Det angivna vibrationsvärdet kan även användas för en preliminär bedömning av exponeringen.

**Varning!** Vibrationsvärdet under faktisk användning av elverktøget kan skilja sig från det uppgivna värdet beroende på hur verktyget används. Vibrationsnivån kan överstiga den uppgivna nivån.

Vid uppskattningar av exponering för vibrationer i syfte att bedöma vilka säkerhetsåtgärder som är nödvändiga enligt 2002/44/EG för att skydda personer som regelbundet använder elverktyg i arbetet ska man utgå från de faktiska omständigheter under vilka elverktyget används och sättet på vilket det används. Bedömningen ska även ta hänsyn till alla moment i arbetscykeln, t.ex. när verktyget är avstängt och när det går på tomgång såväl som när det faktiskt används.

### Etiketter på verktyget

Följande varningssymboler finns på verktyget, tillsammans med datumkoden:



**Varning!** Läs bruksanvisningen före användning för att minska risken för personskador.



Bär hörselskydd när du använder slagborrar. Att utsättas för buller kan leda till hörselskador.

### Elsäkerhet



Eftersom verktyget är dubbelisolerat behövs ingen jordledare. Kontrollera alltid att spänningen på nätet motsvarar den spänning som finns angiven på märkplåten.

- ♦ Om nätsladden skadas ska den bytas av tillverkaren eller ett auktoriserat BLACK+DECKER servicecenter för att undvika faror.

### Funktioner

Denna apparat har några eller samtliga av följande funktioner.

1. Variabel hastighetskontroll
2. Lås på knapp
3. Framåt-/bakåtströmbrytare
4. Borrlägesväljare
5. Chuck
6. Chucklås
7. Sidohandtag

### Montering

**Varning!** Innan montering, se till att verktyget är avstängt och urkopplad.

#### Montering av sidohandtaget (fig. A)

- ♦ Vrid det övre vredet moturs tills du kan glida sidohandtaget (7) på fronten av verktyget.
- ♦ Rotera sidohandtaget till önskat läge.
- ♦ Dra åt sidohandtaget genom att vrida vredet medurs.

#### Montera tillbehör (fig. B)

- ♦ Tryck på chucklåset (6).

- ♦ Öppna chucken genom att vrida hylsan (5) moturs.
- ♦ Sätt bitsskafet (8) i chucken.
- ♦ Dra åt chucken genom att vrida hylsan medurs.

### Användning

**Varning!** Låt verktyget arbeta i sin egen takt. Överbelasta inte.

**Varning!** Innan borring i väggar, golv eller tak kontrollera var ledningar och rör finns.

### Start och stopp (bild C)

- ♦ Slå på verktyget genom att trycka in strömbrytaren för variabel hastighet (1). Verktygets hastighet beror på hur långt du trycker in strömbrytaren.
- ♦ Tryck in spärknappen (2) för kontinuerlig drift och släpp den variabla hastighetsomkopplaren. Det här fungerar inte vid rotation bakåt.
- ♦ Slå av verktyget genom att släppa strömbrytaren för variabel hastighet. För att stänga av verktyget när det är i kontinuerlig drift, tryck på den variabla hastighetsomkopplaren igen och släpp den.

### Välja rotationsriktning (fig. D)

När du borrar och drar åt skruvar använder du rotation framåt (medurs). När du lossar skruvar eller avlägsnar en borrbitt som har fastnat,

använder du bakåtgående (moturs) rotation.

- ♦ För att välja framåtrotation, tryck framåt/bakåt skjutreglaget (3) åt vänster.
- ♦ För att välja bakåtrotation, tryck framåt/bakåt skjutreglaget åt höger.

**Varning!** Ändra aldrig rörelsens riktning medan motorn körs.

### Välja borrningsläge (bild E)

- ♦ För slagborring i murverk och betong ställ in borrlägesväljaren på (4) på **T** positionen.
- ♦ För borring i stål, trä och plast ställer du borrlägesväljaren (4) i **A** positionen.

### Tillbehör

Verktygets prestanda beror på vilka tillbehör du använder. Tillbehör från BLACK+DECKER håller hög kvalitet och är konstruerade för att fungera optimalt med verktyget. Genom att använda dessa tillbehör får du ut mesta möjliga av verktyget.

### Underhåll

Din kabelanslutna/sladdlösa BLACK+DECKER-apparat/verktyg är konstruerad för att fungera en lång tid med minsta möjliga underhåll. Kontinuerlig tillfredsställande drift beror på ordentlig verktygsvård och regelbunden rengöring.

**Varning!** Innan underhåll utförs på verktyget/sladdlösa elverktyg:

- ♦ Stäng av apparaten/verktyget och dra ur nätkontakten.

- Eller stäng av och ta bort batteriet från apparaten/verktyget om apparaten/verktyget har separat batteripaket.
- Eller töm batteriet helt om det är inbyggt och stäng sedan av.
- Dra ur sladden till laddaren innan du rengör den. Laddaren kräver inget underhåll förutom regelbunden rengöring.
- Rengör regelbundet ventilationsöppningarna på apparaten/verktyget/laddaren med en mjuk borste eller en torr trasa.
- Rengör motorhöjlet regelbundet med en fuktig trasa. Använd aldrig något slipande eller lösningsmedelsbaserat rengöringsmedel.
- Öppna regelbundet chucken och knacka på den för att ta bort damm från insidan (när den är monterad).

BEH550 Ljudnivå enligt EN 60745:
Ljudtryck ( $L_{WA}$ ) 104,5 dB(A), osäkerhet (K) 3 dB(A)

BEH710 Ljudnivå enligt EN 60745:
Ljudtryck ( $L_{WA}$ ) 95,5 dB(A), osäkerhet (K) 3 dB(A)

BEH550 Totala vibrationsvärden (vektorsumman av tre axlar) enligt EN 60745:
Slagborrning i betong ( $a_{h, ID}$ ) 14,8 $m/s^2$ , osäkerhet (K) 1,5 $m/s^2$
Borrning i metall ( $a_{h, D}$ ) 2,8 $m/s^2$ , osäkerhet (K) 1,5 $m/s^2$

BEH710 Totala vibrationsvärden (vektorsumman av tre axlar) enligt EN 60745:
Slagborrning i betong ( $a_{h, ID}$ ) 16,2 $m/s^2$ , osäkerhet (K) 1,5 $m/s^2$
Borrning i metall ( $a_{h, D}$ ) 3,5 $m/s^2$ , osäkerhet (K) 1,5 $m/s^2$

## Byte av elkontakten (endast Storbritannien och Irland)

Om en ny elkontakt måste monteras:

- Gör dig av med den gamla kontakten på lämpligt sätt.
- Anslut den bruna ledningen till den strömförande anslutningen i den nya kontakten.
- Anslut den blå ledningen till den icke strömförande anslutningen.

**Varning!** Ingenting bör kopplas till jordanslutningen. Följ de monteringsanvisningar som följer med kontakter av god kvalitet. Rekommenderad säkring: 5 A.

## Skydda miljön

 Separat insamling. Produkter och batterier som är markerade med denna symbol får inte kastas i de vanliga hushållssoporna. Produkter och batterier innehåller material som kan återanvändas eller återvinnas för att minska behovet av råmaterial. Återvinn elektriska produkter och batterier enligt lokala bestämmelser. Närmare information finns tillgänglig på [www.2helpU.com](http://www.2helpU.com)

## Tekniska data

		BEH550	BEH710
Inspänning	$V_{AC}$	230	230
Varvtal obelastad	$min^{-1}$	0 - 2800	0 - 2800
Slaghastighet	$min^{-1}$	0 - 47600	0 - 47600
Vikt	kg	1.7	1.76
Maximal borrkapacitet			
Betong	mm	13	13
Stål	mm	13	13
Trä	mm	25	25

BEH550 Ljudnivå enligt EN 60745:
Ljudtryck ( $L_{pA}$ ) 93,5 dB(A), osäkerhet (K) 3 dB(A)

## EG-försäkran om överensstämmelse MASKINDIREKTIVET

BEH550, BEH710 slagborrmaskin  
Black & Decker försäkrar att dessa produkter, beskrivna under "tekniska data" uppfyller:  
EN60745-1:2009+A11:2010, EN60745-2-1:2010.  
Dessa produkter överensstämmer även med direktiven 2014/30/EU, 2006/42/EG och 2011/65/EU.

För ytterligare information kontakta Black & Decker på följande adress, eller se handbokens baksida.

Undertecknad är ansvarig för sammanställningen av tekniska data och gör denna försäkran för Black & Decker.



R. Laverick  
Director of Engineering  
Black & Decker Europe, 210 Bath Road, Slough,  
Berkshire, SL1 3YD  
Storbritannien  
2017-12-14

## Garanti

Black & Decker är säkra på kvaliteten hos denna produkt och erbjuder kunder 24 månaders garanti från datumet inköpsdatumet. Garantin gäller utöver konsumentens rättigheter enligt lag och påverkar inte dessa. Garantin är giltig i de territorier som tillhör medlemsstaterna i Europeiska unionen och det europeiska frihandelsområdet.



## SVENSKA

(Översättning av originalanvisningarna)

För yrkande under garantin måste yrkandet vara i enlighet med Black & Deckers villkor och du kommer att behöva skicka in bevis på köpet till försäljaren eller en auktoriserad reparatör. Villkoren för Black & Deckers tvååriga garanti och var du hittar din närmaste auktoriserade reparatör kan erhållas på Internet på [www.2helpU.com](http://www.2helpU.com), eller genom att kontakta ditt lokala Black & Decker kontor på adressen som angetts i denna bruksanvisning.

Besök vår webbsida [www.blackanddecker.co.uk](http://www.blackanddecker.co.uk) för att registrera din nya Black & Decker-produkt samt för att få information om nya produkter och specialerbjudanden.

## NORSK

(Oversettelse av de opprinnelige instruksjonene)

### Tiltent bruk

Slagdrillene av typene BLACK+DECKER BEH550, BEH710, er designet for boring i tre, metall, plast og mur og for bruk som skrutrekker. Dette verktøyet er bare ment som et forbrukerverktøy.

### Sikkerhetsinstruksjoner

#### Generelle sikkerhetsadvarsler for elektroverktøy



**Advarsel!** Les alle sikkerhetsadvarsler og alle instruksjoner. Manglende overholdelse av advarslene og instruksjonene som er listet opp under kan resultere i elektrisk støt, brann og/eller alvorlig personskade.

Ta vare på alle advarsler og instruksjoner for fremtidig bruk. Begrepet "elektriske verktøy" i advarslene henviser til strøm-drevne (strømkabel) verktøy eller batteridrevne (trådløse) elektrisk verktøy.

#### 1. Sikkerhet i arbeidsområdet

- Hold arbeidsområdet rent og godt opplyst. Rotede eller mørke områder øker faren for ulykker.
- Ikke bruk elektriske verktøy i eksplosive atmosfærer, som ved nærvær av brennbare væsker, gass eller støv. Elektrisk verktøy skaper gnister som kan antenne støv eller gass.
- Hold barn og tilskuere borte mens du bruker et elektrisk verktøy. Distraksjoner kan føre til at du mister kontrollen.

#### 2. Elektrisk sikkerhet

- Støpselet til verktøyet må passe til stikkkontakten. Aldri **modifiser støpselet på noen måte. Ikke bruk noe adapterstøpsler med jordede elektriske verktøy.**

(Oversettelse av de opprinnelige instruksjonene)

## NORSK

Umodifiserte støpsler og stikkontakter som passer vil redusere risikoen for elektrisk sjokk.

- Unngå kroppskontakt med jordede overflater som rør, radiatorer, komfyrer og kjøleskap.** Dette medfører en stor fare for elektrisk støt dersom kroppen din er i kontakt med jord (jordet).
- Ikke utsett elektroverktøy for regn eller fuktighet.** Dersom det kommer vann inn i et elektrisk verktøy vil det øke risikoen for elektrisk støt.
- Unngå uforvarlig behandling av ledningen. Bruk aldri ledningen til å bære, trekke eller ta ut støpselet fra det elektriske verktøyet.** Hold ledningen borte fra varme, olje, skarpe kanter eller bevegelige deler. Skadete eller innviklede ledninger øker risikoen for elektrisk støt.
- Ved bruk av et elektrisk verktøy utendørs, bruk en skjøteledning som passer for utendørs bruk.** Bruk av skjøteledninger beregnet for utendørs bruk reduserer risikoen for elektrisk støt.
- Dersom bruk av et elektrisk verktøy på et fuktig sted ikke kan unngås, bruke en jordfeilbryter (RCD) beskyttet forsyning.** Bruk av jordfeilbryter (RCD) reduserer risikoen for elektrisk støt.

#### 3. Personssikkerhet

- Vær alltid oppmerksom, pass på hva du gjør, og bruk sunn fornuft ved bruk av et elektrisk verktøy.** Ikke bruk et elektrisk verktøy dersom du er trøtt eller påvirket av rusmidler, alkohol eller medisiner. Et øyeblikks uoppmerksomhet under bruk av verktøyet kan føre til alvorlige personskader.
- Bruk personlig verneutstyr. Bruk alltid vernebriller.** Verneutstyr som støvmaske, sklisikre vernesko, hjelm eller hørselsvern etter forholdene vil redusere personskader.
- Forhindre utilsiktet start.** Pass på at bryteren er i av-posisjon før du kobler til strømmen og/eller batteripakken, løfter eller bærer verktøyet. Å bære elektriske verktøy med fingeren på bryteren eller med påslåtte verktøy med strømmen på inviterert til ulykker.
- Fjern eventuelt innstillingsverktøy eller skruverktøy før du slår på elektroverktøyet.** Et skruverktøy eller en nøkkel eller som sitter i en roterende del av elektroverktøyet, kan føre til personskade.
- Ikke strekk deg for langt. Ha godt fotfeste og stå støtt hele tiden.** Dette fører til at du har bedre kontroll over det elektriske verktøyet ved uventede situasjoner.
- Bruk egnede klær.** Ikke ha på deg løstsittende klær eller smykker. Hold hår, antrekk og hansker borte fra bevegelige deler. Løse klær, smykker eller langt hår kan feste seg i bevegelige deler.

g. Dersom apparatet er utstyrt for tilkobling av støvsuging og støvoppsamling, sikre at de er tilkoblet og brukes korrekt. Bruk av støvsuger kan redusere støvrelaterte farer.

#### 4. Bruk og behandling av elektroverktøy

- Ikke bruk makt på elektroverktøyet. Bruk korrekt elektrisk verktøy for ditt bruksområde.** Korrekt elektrisk verktøy vil gjøre jobben bedre og sikrere med den farten det er beregnet for.
- Ikke bruk elektroverktøyet hvis du ikke kan slå det på og av med bryteren.** Et elektrisk verktøy som ikke kan kontrolleres med bryteren er farlig og må repareres.
- Koble støpselet fra strømmen og/eller batteripakken fra det elektriske verktøyet før du foretar justeringer, skifter tilbehør eller lagrer det elektriske verktøyet.** Disse forebyggende sikkerhetstiltakene reduserer risikoen for utilsikket start av apparatet.
- Oppbevar ubrukt elektroverktøy utilgjengelig for barn og ikke la personer som ikke er kjent med det elektriske verktøyet eller denne bruksanvisningen for bruk av det elektriske verktøyet.** På/av verktøy er farlige i hendene på utrenede brukere.
- Vedlikehold av elektroverktøy. Sjekk for feilinnrettede eller fastkjørte bevegelige deler, brudd på deler eller andre forhold som kan påvirke bruken av det elektriske verktøyet.** Dersom det er skadet, få verktøyet reparert før bruk. Mange ulykker forårsakes av dårlig vedlikeholdte elektroverktøy.
- Hold skjæreverktøy skarpe og rene.** Korrekt vedlikehold av skjæreverktøy med skarpe skjærekanter har mindre tendens til å kjøre seg fast og er enkle å kontrollere.
- Bruk elektriske verktøy, tilbehør og bits etc. i samsvar med denne bruksanvisningen, ta hensyn til arbeidsforholdene og arbeidet som skal utføres.** Bruk av det elektriske verktøyet for andre operasjoner enn de tiltenkte kan føre til farlige situasjoner.

#### 5. Service

- La en kvalifisert person reparere verktøyet og bruk kun identiske reservedeler.** Dette vil sikre at verktøyet sikkerhet blir ivaretatt.

#### Ytterligere sikkerhetsadvarsler for elektroverktøy



**Advarsel!** Ytterligere sikkerhetsadvarsler for driller og slagdriller.

- ◆ Bruk hørselvern når du bruker slagverktøy. Eksponering for støv kan forårsake hørselstap.

- ◆ Bruk hjelpehåndtak som følger med verktøyet. Å miste kontroll kan forårsake personskade.
- ◆ Hold det elektriske verktøyet kun i isolerte gripeoverflater når du utfører operasjoner hvor skjæreverktøyet kan komme i kontakt med skjulte ledninger. Kapping av en strømførende ledning kan føre til at eksponerte metalldele på elektroverktøyet blir strømførende, og kan gi operatøren støt.
- ◆ Du må aldri bruke meisletilbehør i rotasjonsmodus. Tilbehøret vil sette seg fast i materialet og dreie drillen.
- ◆ Bruk tvinger eller annen praktisk måte å sikre og holde arbeidsstykket på et stabilt underlag. Å holde arbeidsstykket i hendene eller mot kroppen er ustabil og kan føre til at du mister kontroll.
- ◆ Før du borer i vegger, gulv eller tak, kontrollerer du plasseringen av kabler og rør.
- ◆ Unngå å komme i berøring med spissen på et bor rett etter boring, da den kan være varm.
- ◆ Det er ikke meningen at dette verktøyet skal brukes av personer (inkludert barn) med reduserte fysiske, sensoriske eller mentale evner, eller personer som mangler erfaring og kunnskap, med mindre de har mottatt oppløsing eller instruksjon når det gjelder bruken av apparatet, fra en person som er ansvarlig for deres sikkerhet. Barn må holdes under oppsyn, sørg for at de ikke leker med apparatet.
- ◆ Bruksområdet er beskrevet i denne bruksanvisningen. Hvis du bruker annet tilbehør, kobler til annet utstyr eller bruker dette produktet til andre oppgaver enn det som er anbefalt i denne håndboken, kan det medføre fare for personskader og/eller skade på eiendom.
- ◆ Bruk ansiktsmaske eller støvmaske når aktivitetene kan føre til støv eller flygende partikler.

#### Andre personers sikkerhet

- ◆ Apparatet er ikke ment for bruk av personer (inkludert barn) med redusert fysiske, sensoriske eller mentale evner, eller mangel på erfaring og kunnskap, med mindre de får tilsyn eller har blitt opplært i bruk av apparatet av en person ansvarlig for deres sikkerhet.
- ◆ Barn må holdes under oppsyn, sørg for at de ikke leker med apparatet.

#### Andre risikoer.

Når verktøyet brukes, kan det oppstå ytterligere risikoer som kanskje ikke er beskrevet i de medfølgende sikkerhetsadvarslene. Disse risikoene kan bli forårsaket av feil bruk, langvarig bruk osv.

Selv om de relevante sikkerhetsbestemmelsene blir fulgt, og sikkerhetstiltakene blir gjennomført, kan visse gjenværende

risikoer ikke unngås. Disse inkluderer:

- ◆ Personskader som forårsakes av berøring av en roterende/bevegelig del.

- ◆ Personskader som forårsakes av at en del, et blad eller tilbehør endres.
- ◆ Personskader som forårsakes av langvarig bruk av et verktøy. Når du bruker et verktøy i lange perioder, må du sørge for å ta regelmessige pauser.
- ◆ Hørselskader.
- ◆ Helsefarer som skyldes innånding av støv som dannes når du bruker verktøyet (for eksempel under arbeid med tre, spesielt eik, bøk og MDF.)

## Vibrasjon

Vibrasjonsemissionsverdien som er angitt under tekniske data og samsvarserklæring, er blitt målt i henhold til en standard testmetode som er angitt i EN 60745, og kan brukes til å sammenligne et verktøy med et annet. Den oppgitte vibrasjonsemissionsverdien kan også brukes til en foreløpig vurdering av eksponering.

Advarsel! Vibrasjonsemissionsverdien under faktisk bruk av elektroverktøyet kan avvike fra den oppgitte verdien avhengig av måten verktøyet blir brukt på. Vibrasjonsnivået kan øke over nivået som er oppgitt.

Når det vurderes vibrasjonseksponering for å avgjøre hvilke sikkerhetstiltak som kreves ifølge 2002/44/EF, for å beskytte personer som bruker elektroverktøy regelmessig til arbeidsformål, skal det, når vibrasjonseksponeringen anslås, tas hensyn til de faktiske bruksforholdene og måten verktøyet blir brukt på. Dette inkluderer å ta hensyn til alle deler av brukssyklusen, for eksempel når verktøyet er avslått, når det går på tomgang og når utløseren er trykket inn.

## Etiketter på verktøyet

Følgende symboler vises på verktøyet sammen med datokoden:



Advarsel! Brukeren må lese håndboken for å redusere risikoen for personskade.



Bruk hørselsvern når du bruker slagverktøy. Å bli utsatt for støv kan forårsake hørselstap

## Elektrisk sikkerhet



Dette verktøyet er dobbeltisoleret. Jording er derfor ikke nødvendig. Kontroller alltid at strømforsyningen samsvarer med spenningen på merkeskiltet.

- ◆ Dersom strømfledningen er skadet skal den skiftes ut av produsenten eller et autorisert BLACK+DECKER service-senter for å unngå fare.

## Funksjoner

Dette apparatet har noen av eller alle funksjonene nedenfor.

1. Bryter for variabel hastighet
2. Låseknapp

3. Bryter for fremover/bakover
4. Boremodusvelger
5. Chuck
6. Chucklås
7. Sidehåndtak

## Montering

Advarsel! Før monteringen må du passe på at verktøyet er slått av, og at støpselet er trukket ut.

## Montere sidehåndtaket (figur A)

- ◆ Vri håndtaket mot klokken til du kan skyve sidehåndtaket (7) til fronten på verktøyet som vist.
- ◆ Vri sidehåndtaket til ønsket stilling.
- ◆ Stram sidehåndtaket ved å vri håndtaket med klokken.

## Sette på et tilbehør (figur B)

- ◆ Trykk inn chucklåsen (6)
- ◆ Åpne chucken ved å dreie mansjetten (5) mot klokken.
- ◆ Sett bitskaftet (8) inn i borelåsen.
- ◆ Stram chucken ved å dreie mansjetten med klokken.

## Bruk

Advarsel! La verktøyet arbeide i sin egen hastighet. Må ikke overbelastes.

Advarsel! Før du borer i vegger, gulv eller tak, kontroller plassering av kabler og rør.

## Slå på og av (figur C)

- ◆ Når du skal slå verktøyet på, trykker du på bryteren for variabel hastighet (1). Hastigheten til verktøyet avhenger av hvor langt inn du trykker bryteren.
- ◆ For kontinuerlig bruk, trykk også på låseknappen (2) og slipp variabel hastighetsknappen. Dette alternativet fungerer ikke ved rotasjon bakover.
- ◆ Når du skal slå verktøyet av, slipper du bryteren for variabel hastighet. For å slå av verktøyet når det er i kontinuerlig drift, skal du trykke på variabel hastighetsknappen en gang til og slippe den.

## Velge rotasjonsretning (figur D)

For boring og strammning av skruer brukes (med klokken) fremover-rotasjon. For løsing av skruer eller fjerning av bor som sitter fast, brukes rotasjon bakover (mot klokken).

- ◆ Når du skal velge rotasjon forover/bakover, skyv skyvebryteren (3) til venstre.
- ◆ Når du skal velge rotasjon forover/bakover skyv skyvebryteren til høyre.

Advarsel! Du må aldri skifte rotasjonsretning mens motoren går.

## Velge borboremodus (figur E)

- ◆ For slagboring i murverk og betong, sett boremodusvelger (4) til posisjon q.

- ◆ For boring i stål, tre og plast setter du bruksmodusvelgeren (4) i posisjon r.

## Tilbehør

Verktøyet yelse avhenger av hva slags tilbehør som brukes. Tilbehør fra BLACK+DECKER er produsert etter høye kvalitetsstandarder og er konstruert for å bedre verktøyet yelse. Hvis du bruker dette tilbehøret, får du mest mulig ut av verktøyet ditt.

## Vedlikehold

BLACK+DECKER-apparatet/-verktøyet med ledning/batteri er laget for å brukes over lang tid med et minimum av vedlikehold. For at den skal fungere tilfredsstillende over tid, er det viktig å sørge for riktig stell av verktøyet og regelmessig renhold.

**Advarsel!** Før du utfører vedlikehold på kabede/ytådløse elektroverktøy:

- ◆ Slå av apparatet/verktøyet og trekk ut støpselet.
- ◆ Slå apparatet av og ta ut batteriet fra enheten/verktøyet hvis enheten/verktøyet har separate batteripakker.
- ◆ Eller la batteriet gå helt tomt hvis det er innebygd, og slå deretter av.
- ◆ Trekk ut laderen fra stikkkontakten før du rengjør den. Laderen din krever ikke annet vedlikehold enn regelmessig rengjøring.
- ◆ Rengjør ventilasjonsåpningene i verktøyet jevnlig med en myk børste eller tørr klut.
- ◆ Rengjør motorhuset regelmessig med en fuktig klut. Ikke bruk slipende eller løsemiddelbaserte rengjøringsmidler.
- ◆ Åpne chucken regelmessig, og bank på den for å fjerne eventuelt støv fra insiden (når den er montert).

## Skifte støpselet (bare Storbritannia og Irland)

Dersom du trenger å sette på et nytt støpselet:

- ◆ Kast det gamle støpselet på en trygg måte.
- ◆ Koble den brune ledningen til den strømførende terminalen i det nye støpselet.
- ◆ Koble den blå ledningen til den nøytrale terminalen.

**Advarsel!** Jordingslederen skal ikke kobles til. Følg monteringsanvisningen som medfølger støpsler av god kvalitet. Anbefalt sikring: 5 A.

## Miljøvern



Separat avfallshåndtering. Produkter og batterier merket med dette symbolet skal ikke kastes i vanlig husholdningsavfall.

Produkter og batterier inneholder materialer som kan gjenbrukes eller gjenvinnes for å redusere behovet for nye råmaterialer.

Vennligst lever elektrisk utstyr og batterier til gjenbruk i henhold til lokale regler.

Mer informasjon finner du på [www.2helpU.com](http://www.2helpU.com)

## Tekniske data

		BEH550	BEH710
Inngangsspennning	$V_{AC}$	230	230
Ubelastet hastighet	$\text{min}^{-1}$	0 – 2800	0 – 2800
Slagfrekvens	$\text{min}^{-1}$	0 – 47600	0 – 47600
Vekt	kg	1,7	1,76
Maks borekapasitet			
Belong	mm	13	13
Stål	mm	13	13
Tre	mm	25	25

### BEH550 Lydtrykknivå målt i henhold til EN 60745:

Lydtrykk ( $L_{pA}$ ) 93,5 dB(A), usikkerhet (K) 3 dB(A)

Lydeffekt ( $L_{WA}$ ) 104,5 dB(A), usikkerhet (K) 3 dB(A)

### BEH710 Lydtrykknivå målt i henhold til EN 60745:

Lydtrykk ( $L_{pA}$ ) 95,5 dB(A), usikkerhet (K) 3 dB(A)

Lydeffekt ( $L_{WA}$ ) 106,5 dB(A), usikkerhet (K) 3 dB(A)

### BEH550 otale vibrasjonsverdier (vektorsum fra tre retninger) i henhold til EN 60745:

Boring med slag i betong ( $a_{h, 1D}$ ) 14,8  $\text{m/s}^2$ , usikkerhet (K) 1,5  $\text{m/s}^2$

Boring i metall ( $a_{h, D}$ ) 2,8  $\text{m/s}^2$ , usikkerhet (K) 1,5  $\text{m/s}^2$

### BEH710 Totale vibrasjonsverdier (vektorsum fra tre retninger) i henhold til EN 60745:

Boring med slag i betong ( $a_{h, 1D}$ ) 16,2  $\text{m/s}^2$ , usikkerhet (K) 1,5  $\text{m/s}^2$

Boring i metall ( $a_{h, D}$ ) 3,5  $\text{m/s}^2$ , usikkerhet (K) 1,5  $\text{m/s}^2$

## EU-samsvarserklæring

MASKINDIREKTIVET



BEH550, BEH710 Slagdrill

Black & Decker erklærer at disse produktene, som er beskrevet under "Tekniske data", er i samsvar med: EN60745-1:2009+A11:2010, EN60745-2-1:2010.

Disse produktene er også i samsvar med direktiv 2014/30/EU, 2006/42/EU og 2011/65/EU.

Hvis du ønsker mer informasjon, kan du kontakte Black & Decker på adressen under eller se baksiden av bruksanvisningen.

Undertegnede er ansvarlig for utarbeidelsen av den tekniske dokumentasjonen og gir denne erklæringen på vegne av Black & Decker.



R. Laverick  
Director of Engineering  
Black & Decker Europe, 210 Bath Road, Slough,  
Berkshire, SL1 3YD  
Storbritannia  
14.12.2017

Gem alle advarsler og instruktioner til fremtidig reference. Begrebet "elværktøj", der benyttes i nedenstående advarsler, henviser til netdrevet elværktøj (med netledning) eller batteridrevet elværktøj (uden netledning).

### 1. Sikkerhed i arbeidsområdet

- Hold arbeidsområdet rent og ordentligt opplyst. Rodede eller mørke områder indbyder til ulykker.
- Arbejd ikke med elværktøjer i eksplosive atmosfærer, som f.eks. ved tilstedeværelse af brændbare væsker, gasser eller støv. Elværktøj danner gnister, der kan antænde støv eller dampe.
- Hold børn og omkringstående på afstand, når der arbejdes med et elværktøj. Distraktioner kan medføre, at du mister kontrollen.

### 2. Elektricitet og sikkerhed

- Elværktøjets stik skal passe til kontakten. Modificér aldrig stikken på nogen måde. Undlad at bruge adapt erstik sammen med jordforbundne elektriske værktøjer.** Umodificerede stik og dertil passende stikkontakter reducerer risikoen for elektrisk stød.
- Undgå kropskontakt med jordforbundne overflader, såsom rør, radiatorer, komfurer og køleskabe. Der er øget risiko for elektrisk stød, hvis din krop er jordforbundet.
- Undlad at udsætte elektrisk værktøj for regn eller våde forhold. Hvis der trænger vand ind i et elværktøj, øges risikoen for elektrisk stød.
- Pas på, at ledningen ikke beskadiges. Brug aldrig ledningen til at bære, trække værktøjet eller trække det ud af stikkontakten. Hold ledningen borte fra varme, olie, skarpe kanter og bevægelige dele. Beskadigede eller sammenfiltrede ledninger øger risikoen for elektrisk stød.
- Når elektrisk værktøj benyttes udendørs skal der anvendes en forlængerledning, som er egnet til udendørs brug. Brug af en ledning, der er egnet til udendørs brug, reducerer risikoen for elektrisk stød.
- Hvis det ikke kan undgås at betjene et elektrisk værktøj i et fugtigt område, benyt en strømforsyning, der er beskyttet af en fejlstrømsafbryder. Ved at benytte en fejlstrømsafbryder reduceres risikoen for elektrisk stød.

### 3. Personssikkerhed

- Vær opmærksom, pas på hvad du foretager dig, og brug sund fornuft, når du benytter et elektrisk værktøj. Anvend ikke et elværktøj, hvis du er træt, påvirket af narkotika, alkohol eller medicin. Et øjeblik uopmærksomhed under brugen af værktøjet kan resultere i alvorlige personskader.

## Garanti

Black & Decker er trygg på kvaliteten av produktene sine og tilbyr en 24 måneders garanti fra kjøpsdato. Denne garantierklæringen kommer i tillegg til dine lovbestemte rettigheter og er ikke i konflikt med disse. Garantien er gyldig innen områdene tilhørende medlemslandene i den Europeiske Union (EU) og det Europeiske Frihandelsområdet (EFTA).

For å ta garantien i bruk må kravet være i samsvar med kjøpsbetingelsene fra Black&Decker og du må vise kjøpskvittering til forhandleren eller til et autorisert serviceverksted. Betingelsene for Black & Deckers 2 års garanti og adressen til din nærmeste autoriserte serviceverksted kan du finne på internett under [www.2helpU.com](http://www.2helpU.com), eller ved å kontakte ditt lokale Black & Decker kontor, adressen er angitt i denne bruksanvisningen.

Besøk vår webside [www.blackanddecker.co.uk](http://www.blackanddecker.co.uk) for å registrere ditt nye Black & Decker-produkt og for å holde deg oppdatert om nye produkter og spesialtilbud.

## Tilsluttet brug

Dit BLACK+DECKER BEH550, BEH710 slagbor er designet til boring i træ, metal, plastik og murværk og som skruetrækker. Værktøjet er kun beregnet til privat brug.

## Sikkerhedsinstruktioner

### Generelle sikkerhedsadvarsler vedrørende elværktøj



**Advarsel!** Læs alle sikkerhedsadvarsler og alle instruktioner. Hvis nedenstående advarsler og instruktioner ikke følges, er der risiko for elektrisk stød, brand og/eller alvorlige kvæstelser.

- b. **Brug personligt beskyttelsesudstyr. Bær altid beskyttelsesbriller.** Sikkerhedsudstyr, såsom støv maske, skridsikre sikkerhedssko, sikkerhedshjelm eller høreværn, brugt når omstændighederne foreskriver det, reducerer omfanget af personskader.
- c. **Undgå utilsigtet opstart. Sørg for, at der er slukket for kontakten, inden værktøjet tilsluttes en strømkilde og/eller batterienhed, samles op eller bæres.** Når elektrisk værktøj bæres med fingeren på kontakten eller tilsluttes, når kontakten er tændt, giver det anledning til ulykker.
- d. **Fjern indstillingsværktøj eller skruenøgle, inden elværktøjet startes.** En skruenøgle eller anden nøgle, der bliver siddende på en roterende del af elektrisk værktøj, kan give anledning til personskade.
- e. **Stræk dig ikke for langt. Hold en god fodstilling og balance hele tiden.** Dette giver bedre kontrol af det elektriske værktøj, når uventede situationer opstår.
- f. **Brug egnet arbejdstøj. Bær ikke løst tøj eller smykker. Hold dit hår, tøj og handsker væk fra bevægelige dele.** Løstsiddende tøj, smykker eller langt hår kan blive fanget i bevægelige dele.
- g. **Hvis der anvendes støvudsugnings- eller støvopsamlingsudstyr, skal dette tilsluttes og anvendes korrekt.** Anvendelse af støvopsamlingsudstyr kan begrænse farer forårsaget af støv.

#### 4. Brug og vedligeholdelse af elværktøj

- a. **Overbelast ikke elværktøjet. Brug det værktøj, der er bedst egnet til det arbejde, der skal udføres.** Det korrekte elværktøj vil klare opgaven bedre og mere sikkert med den ydelse, som det er designet til.
- b. **Undlad at benytte elværktøjet, hvis kontakten ikke tænder og slukker for det.** Alt elektrisk værktøj, der ikke kan styres med kontakten, er farligt og skal repareres.
- c. **Træk stikket ud af stikkontakten og/eller batterienheden fra det elektriske værktøj, før det elektriske værktøj justeres, dets tilbehør udskiftes eller det stilles til opbevaring.** Disse sikkerhedsforanstaltninger reducerer risikoen for utilsigtet start af elværktøjet.
- d. **Opbevar elværktøj uden for børns rækkevidde og tillad ikke personer som ikke er bekendt med dette elektriske værktøj eller disse instruktioner at betjene værktøjet.** El-værktøjer er farlige i hænderne på uøvede brugere.
- e. **Vedligeholdelse af elektrisk værktøj.** Kontrollér om der er fejljustering, eller om bevægelige dele binder, om der er brud på dele, eller der er andre forhold, der kan påvirke betjeningen af værktøjet. Hvis det elektriske værktøj er beskadiget, skal det repareres før brug.

Mange ulykker er forårsaget af dårligt vedligeholdt værktøj.

- f. **Hold skæreværktøjer skarpe og rene.** Ordentligt vedligeholdt skæreværktøj med skarpe skærekanter har mindre tilbøjelighed til at binde og er lettere at styre.
  - g. **Brug elektrisk værktøj, tilbehør, bor, osv. i overensstemmelse med disse instruktioner, idet der tages hensyn til arbejdsforholdene og den opgave, som skal udføres.** Brug af el-værktøj til andre opgaver end dem, det er beregnet til, kan resultere i en farlig situation.
- #### 5. Service
- a. **Elværktøjet skal serviceres af en kvalificeret servicetekniker, som udelukkende benytter identiske reservedele.** Dette sikres det, at værktøjets driftssikkerhed opretholdes.

#### Yderligere sikkerhedsadvarsler for elværktøj



**Advarsel!** Yderligere sikkerhedsadvarsler for boremaskiner og slagboremaskiner.

- ◆ Bær høreværn ved slagboring. Udsættelse for støj kan medføre høretab.
- ◆ Brug de ekstra håndtag, der følger med værktøjet. Tab af kontrol kan medføre personskade.
- ◆ Hold fast i det elektriske værktøj på de isolerede håndtagsflader under udførelse af arbejdet, hvor skæreværktøjet kan berøre skjulte ledninger. Hvis skæretilbehøret rammer en strømførende ledning, bliver elværktøjets blottagte dele strømførende, så brugeren får stød.
- ◆ Brug aldrig mejseltilbehør ved roterende indstilling. Tilbehøret sætter sig fast i materialet og roterer boret.
- ◆ Brug klemmer eller en anden praktisk måde for at fastgøre og understøtte arbejdsemnet til et stabilt underlag. Hvis du holder fast i arbejdsemnet med din hånd eller krop, vil det være ustabil, og det kan medføre, at du mister kontrollen over det.
- ◆ Kontrollér placeringen af ledninger og rør, inden der bores i vægge, gulve eller lofter.
- ◆ Rør ikke ved spidsen af et bor lige efter boring, det kan være varmt.
- ◆ Dette værktøj må ikke bruges af personer (herunder børn) med nedsatte fysiske, sensoriske eller mentale evner eller manglende erfaring og viden, medmindre det sker under overvågning, eller der gives instruktion i brugen af værktøjet af en person, der er ansvarlig for deres sikkerhed. Børn skal holdes under opsyn, så det sikres, at de ikke leger med værktøjet.
- ◆ Den tilsigtede anvendelse er beskrevet i denne betjeningsvejledning.

Brug af ekstraudstyr eller tilbehør eller udførelse af andre opgaver med dette værktøj end de, der anbefales i denne vejledning, kan medføre risiko for personskade og/eller materiel skade.

- ◆ Brug en ansigts- eller støvmaske, hvor arbejdet forårsager støv eller flyvende partikler.

## Andres sikkerhed

- ◆ Dette værktøj er ikke beregnet til anvendelse af personer (inklusive børn) med nedsatte fysiske, sensoriske eller mentale handicaps eller med mangel på erfaringer eller viden, medmindre de er under overvågning eller har fået instruktioner i brugen af værktøjet af en person, der er ansvarlig for deres sikkerhed.
- ◆ Børn skal holdes under opsyn, så det sikres, at de ikke leger med værktøjet.

## Resterende risici.

Der kan opstå yderligere, tilbageværende risici under brugen af apparatet, som muligvis ikke behandles i de vedlagte sikkerhedsadvarsler. Disse risici kan opstå pga. forkert anvendelse, langvarig brug etc.

Selv ved overholdelse af relevante sikkerhedsforskrifter og anvendelse af sikkerhedsudstyr kan visse resterende risici ikke undgås. Disse omfatter:

- ◆ Tilskadekomst forårsaget af berøring af roterende/bevægelige dele.
- ◆ Tilskadekomst forårsaget af udskiftning af dele, klinger eller tilbehør.
- ◆ Tilskadekomst forårsaget af langvarig brug af et apparat. Husk at holde pause jævnligt ved brug af et apparat i længere tid.
- ◆ Hørenedsættelse.
- ◆ Sundhedsrisici forårsaget af indånding af støv, der genereres ved brug af dit apparat (eksempel: arbejde med træ, især eg, bøg og MDF.)

## Vibration

De angivne værdier for udsendelse af vibration opført under de tekniske data og overensstemmelseserklæringen er målt i henhold til standardtestmetoden anført i EN 60745 og kan bruges til at sammenligne ét værktøj med et andet. Den angivne vibrationsemissionsværdi kan også bruges i forbindelse med en foreløbig vurdering af eksponeringen.

**Advarsel!** Værdien for vibrationsemission ved faktisk brug af elværktøjet kan afvige fra den angivne værdi afhængig af måden, værktøjet anvendes på. Vibrationsniveauet kan overstige det angivne niveau. I vurderingen af eksponeringen for vibration med henblik på fastsættelse af sikkerhedsforanstaltninger som krævet i 2002/44/EF til beskyttelse af personer, der jævnligt anvender elværktøj i deres arbejde, skal der tages hensyn til de faktiske betingelser under brugen,

og måden værktøjet bruges på, herunder alle arbejdscyklusens afsnit, f.eks. perioder, hvor værktøjet er slukket, og hvor det kører i tomgang, tillige med startperioderne.

## Mærkater på værktøjet

Værktøjet er forsynet med følgende piktogrammer sammen med en datokode:



Advarsel! Brugeren skal læse brugervejledningen for at reducere risikoen for kvæstelser.



Bær høreværn ved slagboring. Udsættelse for støj kan medføre høretab.

## Elektricitet og sikkerhed



Denne maskine er dobbelt isoleret. Derfor er jordledning ikke nødvendig. Kontrollér altid, at strømforsyningen svarer til spændingen på mærkepladen.

- ◆ Hvis netledningen beskadiges, skal den udskiftes af producenten eller et autoriseret BLACK+DECKER-værksted så farlige situationer undgås.

## Funktioner

Dette apparat leveres med nogle af eller alle de følgende komponenter.

1. Variabel hastighedskontakt
2. Låseknop
3. Kontakt til skift af retning
4. Knap til valg af borefunktion
5. Patron
6. Patronlås
7. Sidehåndtag

## Samling

**Advarsel!** Kontroller før samling, at værktøjet er slukket og at stikket er taget ud af stikkontakten.

## Montering af sidehåndtaget (fig. A)

- ◆ Drej grebet mod uret, indtil du kan skubbe sidehåndtaget (7) på værktøjets forside.
- ◆ Drej sidehåndtaget til den ønskede stilling.
- ◆ Spænd sidehåndtaget ved at dreje grebet med uret.

## Montering af tilbehør (fig. B)

- ◆ Tryk på patronlåsen (6)
- ◆ Åbn patronen ved at dreje muffen (5) mod uret.
- ◆ Sæt borets aksel (8) i patronen.
- ◆ Spænd patronen ved at dreje muffen med uret.

## Anvendelse

**Advarsel!** Lad værktøjet arbejde i dets eget tempo. Det må ikke overbelastes.

**Advarsel!** Kontroller placeringen af ledninger og rør, inden der bores i vægge, gulve eller lofter.

### Sådan tændes og slukkes enheden (fig. C)

- ◆ Tryk på kontakten til variabel hastighed (1) for at starte værktøjet. Værktøjets hastighed afhænger af, hvor langt du trykker knappen.
- ◆ Ved fortsat drift tryk også på spærreknapen (2) og udløs den variable hastighedskontakt. Denne funktion kan ikke aktiveres ved baglæns omløb.
- ◆ Udløs kontakten til variabel hastighed for at stoppe værktøjet. Du slår værktøjet fra under fortsat drift ved igen at trykke på den variable hastighedskontakt og udløse den.

### Valg af omløbsretning (fig. D)

Brug forlæns omløb (med uret) ved boring og spænding af skruer. Brug baglæns omløb (mod uret) for at løse skruer eller fjerne et fastklemt bor.

- ◆ Du vælger forlæns rotation ved at skubbe skyderen til skift af retning (3) til venstre.
- ◆ Du vælger baglæns rotation ved at skubbe skyderen til skift af retning til højre.

**Advarsel!** Skift aldrig rotationsretning, mens motoren kører.

### Valg af borefunktion (fig. E)

- ◆ Ved slagboring i murværk og beton stilles knappen til valg af borefunktion (4) i q-positionen.
- ◆ Ved boring i stål, træ og plastik eller til skrueboring skal funktionsvælgeren (4) indstilles til r-positionen.

### Tilbehør

Værktøjets ydeevne afhænger af det anvendte tilbehør. Tilbehør fra BLACK+DECKER er fremstillet efter høje kvalitetsstandarder og er designet til at forbedre dit værktøjets ydeevne. Når du bruger dette tilbehør, vil værktøjet yde optimalt.

### Vedligeholdelse

Dit BLACK+DECKER-apparat/værktøj med eller uden ledning er beregnet til brug gennem lang tid med et minimum af vedligeholdelse. Vedvarende tilfredsstillende funktion er afhængig af, om apparatet plejes korrekt og rengøres regelmæssigt.

**Advarsel!** Inden udførelse af vedligeholdelsesarbejde på elværktøjer med/uden ledninger:

- ◆ Sluk, og tag apparatets/værktøjets stik ud af stikkontakten.
- ◆ Sluk og tag batteriet ud af apparatet/værktøjet, hvis apparatet/værktøjet har en separat batteripakke.
- ◆ Eller aflad batteriet helt, hvis det er indbygget, og sluk derefter.
- ◆ Træk opladeren ud af stikkontakten, for den rengøres.

Din oplader kræver ingen vedligeholdelse udover jævnlig rengøring.

- ◆ Rengør regelmæssigt ventilationsåbningerne i dit apparat/værktøj/oplader med en blød børste eller en tør klud.
- ◆ Rengør med jævne mellemrum motorhuset med en fugtig klud. Der må ikke bruges skuremidler eller opløsningsmidler.
- ◆ Åbn jævnligt patronen, og bank på den for at fjerne støv indvendigt (hvis monteret).

### Udsiftning af netstik (kun Storbritannien og Irland)

Hvis et nyt lysnetstik skal monteres:

- ◆ Det gamle stik skal bortskaffes på en sikker måde.
- ◆ Slut den brune ledning til den strømførende klemme på det nye stik.
- ◆ Slut den blå ledning til den neutrale klemme.

**Advarsel!** Der skal ikke tilslutes til jordklemmen. Følg de monteringsinstruktioner, der følger med stik af god kvalitet. Anbefalet sikring: 5 A.

### Miljøbeskyttelse



Særskilt bortskaffelse. Produkter og batterier mærket med dette symbol må ikke bortskaffes sammen med normalt husholdningsaffald.

Produkter og batterier indeholder materialer, der kan genvindes eller genbruges og således reducere efterspørgslen efter råvarer. Genbrug venligst elektriske produkter og batterier i henhold til lokale bestemmelser.

Yderligere informationer findes på [www.2helpU.com](http://www.2helpU.com)

### Tekniske data

		BEH550	BEH710
Indgangsspænding	$V_{AC}$	230	230
Tomgangshastighed	$\text{min}^{-1}$	0 - 2800	0 - 2800
Slaghastighed	$\text{min}^{-1}$	0 - 47600	0 - 47600
Vægt	kg	1.7	1.76
Maks. borekapacitet			
Beton	mm	13	13
Stål	mm	13	13
Træ	mm	25	25

#### BEH550 Lydtrykniveau i henhold til EN 60745:

Lydtryk ( $L_{pA}$ ) 93,5 dB(A), usikkerhed (K) 3 dB(A)

Lydeffekt ( $L_{WA}$ ) 104,5 dB(A), usikkerhed (K) 3 dB(A)

#### BEH710 Lydtrykniveau i henhold til EN 60745:

Lydtryk ( $L_{pA}$ ) 95,5 dB(A), usikkerhed (K) 3 dB(A)

Lydeffekt ( $L_{WA}$ ) 106,5 dB(A), usikkerhed (K) 3 dB(A)



BEH550 Samlede værdier for vibration (triaksial vektorsum) i henhold til EN 60745:

Slagboring i beton ( $a_{h, D}$ ) 14,8 m/s<sup>2</sup>, usikkerhed (K) 1,5 m/s<sup>2</sup>  
 Boring i metal ( $a_{h, D}$ ) 2,8 m/s<sup>2</sup>, usikkerhed (K) 1,5 m/s<sup>2</sup>

BEH710 Samlede værdier for vibration (triaksial vektorsum) i henhold til EN 60745:

Slagboring i beton ( $a_{h, D}$ ) 16,2 m/s<sup>2</sup>, usikkerhed (K) 1,5 m/s<sup>2</sup>  
 Boring i metal ( $a_{h, D}$ ) 3,5 m/s<sup>2</sup>, usikkerhed (K) 1,5 m/s<sup>2</sup>

## EU-overensstemmelseserklæring

MASKINDIREKTIV



BEH550, BEH710 Slagbor

Black & Decker erklærer, at produkterne beskrevet under "Tekniske data" er i overensstemmelse med: EN60745-1:2009+A11:2010, EN60745-2-1:2010.

Disse produkter er endvidere i overensstemmelse med direktiv 2014/30/EU, 2006/42/EC og 2011/65/EU.

Kontakt Black & Decker på nedenstående adresse eller se vejledningens bagside for at få yderligere oplysninger.

Undertegnede er ansvarlig for udarbejdelsen af de tekniske data og fremsætter denne erklæring på vegne af Black & Decker.

R. Laverick  
 Direktør for konstruktioner  
 Black & Decker Europe, 210 Bath Road, Slough,  
 Berkshire, SL1 3YD  
 Storbritannien  
 14/12/2017

## Garanti

Black & Decker er sikker på kvaliteten af sine produkter og tilbyder forbrugerne en garanti på 24 måneder fra købsdatoen. Garantien er et tillæg til forbrugerens lovmæssige rettigheder og påvirker ikke disse. Garantien er gyldig inden for medlemsstaterne af Den Europæiske Union og Det Europæiske Frihandelsområde.

Når du gør krav på garantien, skal kravet være i overensstemmelse med Black & Decker vilkår og betingelser, og du skal indsende dokumentation for købet til sælgeren eller til en autoriseret reparatør.

Vilkår og betingelser for Black & Decker 2 års garanti og placeringen af dit nærmeste autoriserede serviceværksted kan fås på internettet på [www.2helpU.com](http://www.2helpU.com), eller ved at kontakte dit lokale Black & Decker kontor på den adresse, der er angivet i denne vejledning.

Besøg venligst vores websted [www.blackanddecker.co.uk](http://www.blackanddecker.co.uk) for at registrere dit nye Black & Decker produkt og modtage opdateringer om nye produkter og specielle tilbud.

(Alkuperäisten ohjeiden käännös)

SUOMI

## Käyttötarkoitus

Tämä BLACK+DECKER BEH550, BEH710 -iskuporakone on tarkoitettu puun, metallin, muovin ja betonin poraamiseen sekä ruuvaukseen. Tämä työkalu on tarkoitettu vain yksityiskäyttöön.

## Turvallisuusohjeet

### Sähkötyökalujen yleiset turvavaroitukset



**Varoitust!** Lue kaikki turvallisuusvaroitukset ja ohjeet. Jos kaikkia varoituksia ja ohjeita ei noudateta, on olemassa sähköiskun, tulipalon ja/tai vakavan henkilövaurion vaara.

Säästä kaikki varoitukset ja ohjeet tulevaa käyttöä varten. Varoituksissa käytetty termi "sähkötyökalu" viittaa verkkovirralla (johdolliseen) tai akkuvirralla (johdoton) toimivaan sähkötyökaluun.

### 1. Työalueen turvallisuus

- Pidä työalue puhtaana ja hyvin valaistuna. Hämärissä tai pimeissä paikoissa tapahtuu helpommin onnettomuuksia.
- Sähkötyökaluja ei saa käyttää räjähdysalttiissa ympäristöissä, kuten syttyvien nesteiden, kaasujen tai pölyn lähetyksissä. Sähkötyökalujen aiheuttamat kipinät voivat sytyttää pölyn tai kaasut.
- Pidä lapset ja sivulliset loitolla sähkötyökalua käyttäessäsi. Keskitymiskyvyn herpaantuminen voi aiheuttaa hallinnan menettämisen.

### 2. Sähköturvallisuus

- Sähkötyökalun pistokkeen on sovitava pistorasiaan. Älä koskaan muuta pistoketta millään tavalla. Älä käytä sovitintulppia maadoitetuissa sähkötyökaluissa. Sähköiskun vaara vähenee, jos pistokkeisiin ei tehdä muutoksia ja ne yhdistetään vain niille tarkoitettuihin pistorasioihin.
- Vältä koskettamista maadoitettuihin pintoihin, kuten putkiin, jäähdyttimiin, alueisiin ja jääkaappeihin. Olemassa on suurempi sähköiskun vaara, jos kehosi on maadoitettu.
- Älä altista sähkötyökalua sateelle tai kosteudelle. Sähkötyökaluun menevä vesi lisää sähköiskun vaaraa.
- Älä käsittele virtajohtoa kovakouraisesti. Älä koskaan kuljeta, vedä tai irrota sähkötyökalua sähköverkosta johdosta kiinni pitäen.

- Pida sähköjohto kaukana kuumuudesta, öljystä, terävistä reunoista tai liikkuvista osista. Vaurioituneet tai solkeutuneet johdot lisäävät sähköiskun vaaraa.
- e. Kun käytät sähkötyökälyä ulkona, käytä ulkokäyttöön sopivaa jatkojohtoa. Ulkokäyttöön tarkoitetun sähköjohdon käyttäminen vähentää sähköiskun vaaraa.
- f. Jos sähkötyökälyä on käytettävä kosteassa paikassa, käytä vikavirtasuojakytkintä (RCD). Vikavirtasuojakytkimen käyttö vähentää sähköiskun vaaraa.

### 3. Henkilöturvallisuus

- a. Ole aina valpas, keskity työhön ja noudata tervettä järjeä sähkötyökälyn käytössä. Älä käytä sähkötyökälyä, jos olet väsynyt tai huumausaineiden, alkoholin tai lääkkeiden vaikutuksen alaisena. Hetkellinenkin tarkkaamattomuus sähkötyökälyä käytettäessä saattaa johtaa vakavaan loukkaantumiseen.
- b. Käytä henkilökohtaisia suojavarusteita. Käytä aina suojalaseja. Suojavarusteiden (esim. hengityssuojain, turvajalkineet, kypärä tai kuulonsuojaimet) käyttö asianmukaisissa olosuhteissa vähentää loukkaantumisriskiä.
- c. Vältä tahatonta käynnistämistä. Varmista, että kytkin on pois päältä ennen laitteen kytkemistä virtalähteeseen ja/tai akkuun, työkalun nostamista tai kuljettamista. Jos sähkötyökälyä kuljetetaan sormi kytkimellä tai ne kytketään sähköverkkoon virtakytkimen ollessa päällä, seurauksena voivat olla onnettomuudet.
- d. Irrota mahdollinen säätö- tai kiintoavain ennen kuin käynnistät sähkötyökälyn. Sähkötyökälyn pyöriivään osaan kiinni jäänyt avain voi johtaa loukkaantumiseen.
- e. Älä kurkotta. Huolehdi siitä, että sinulla on koko ajan tukeva jalansija ja hyvä tasapaino. Näin voit hallita sähkötyökälyä paremmin odottamattomissa tilanteissa.
- f. Käytä tarkoitukseen soveltuvia vaatteita. Älä käytä löysää vaatetta tai koruja. Pidä hiukset, vaatteet ja kädet loitolla liikkuvista osista. Löysät vaatteet, korut tai pitkät hiukset voivat jäädä kiinni liikkuviin osiin.
- g. Jos laitteessa on pölynpoisto- ja pölynkeräysvarusteita, varmista niiden hyvä liitäntä ja oikeaoppinen käyttö. Pölyyn liittyviä vaaroja voidaan vähentää käyttämällä pölynkeräysvarusteita.

### 4. Sähkötyökälyjen käyttö ja hoito

- a. Älä ylikuormita sähkötyökälyä. Käytä käyttötarkoitukseen sopivaa sähkötyökälyä. Oikean sähkötyökälyn avulla työskentelet paremmin ja turvallisemmin tehoalueella, jolle sähkötyökäly on tarkoitettu.
- b. Älä käytä sähkötyökälyä, jota ei voida käynnistää ja pysäyttää virtakytkimestä. Jos sähkötyökälyä ei voida hallita kytkimestä, sen käyttö on vaarallista ja se tulee korjata.
- c. Irrota pistoke virtalähteestä ja/tai akku työkalusta ennen säätöjen tekemistä, lisävarusteiden vaihtamista tai sähkötyökälyjen asettamista säilöön. Tällä tavoin pienennetään laitteen tahattoman käynnistymisen mahdollisuutta.

- d. Säilytä sähkötyökäly lasten ulottumattomissa. Älä anna sellaisten henkilöiden käyttää sähkötyökälyä, jotka eivät tunne työkalua tai ole lukeneet näitä ohjeita. Sähkötyökälyt ovat vaarallisia kouluttamattomien käyttäjien käsissä.
- e. Hoida sähkötyökälysi huolella. Tarkista liikkuvien osien kohdistus tai mahdolliset kiinni juuttumiset, osien vauriot ja muut sähkötyökälyn toimintaan mahdollisesti vaikuttavat häiriöt. Jos havaitset vaurioita, korjauta sähkötyökäly ennen niiden käyttämistä. Huonosti kunnossapidetyt työkalut aiheuttavat onnettomuuksia.
- f. Pidä leikkausterät terävinä ja puhtaina. Oikeaoppisesti ylläpidetyt leikkuvälineet, joiden leikkausreunat ovat teräviä, juuttuvat harvemmin kiinni ja niiden hallitseminen on helpompaa.
- g. Käytä sähkötyökälyä, lisävarusteita ja teriä jne. näiden ohjeiden mukaisesti ottaen huomioon työolosuhteet ja suoritettavat toimenpiteet. Jos sähkötyökälyä käytetään muuhun kuin sen suunniteltuun käyttötarkoitukseen, seurauksena voi olla vaaratilanne.
- ### 5. Huolto
- a. Anna koulutetun ja ammattitaitoisen henkilön huoltaa sähkötyökälyä käyttäen ainoastaan samanlaisia varaosia. Tämä varmistaa sähkötyökälyn turvallisuuden.

### Sähkötyökälyjen lisäturvavaroitukset



**Varoitus!** Porien ja iskuporakoneiden lisäturvavaroitukset.

- ◆ Käytä kuulosuojaimia iskuporakonetta käytettäessä. Melulle allistuminen voi aiheuttaa kuulon menetyksen.
- ◆ Käytä työkalun mukana toimitettuja lisäkahvoja. Hallinnan menetys voi aiheuttaa henkilövahingon.
- ◆ Tartu kiinni koneen eristetyistä tartuntapinnoista, jos leikkavälineitä käytettäessä on vaara osua piilossa oleviin johtoihin. Terien osuminen jännitteeseen johtoon tekee sen paljaista metalliosista jännitteisiä, joten käyttäjä voi saada sähköiskun.
- ◆ Älä koskaan käytä talttaosaa iskuporakonetiassa. Lisävaruste juuttuu materiaaliin ja kiertää poraa.
- ◆ Käytä puristimia tai muuta käytännöllistä tapaa kiinnittää ja tukea työkappale tukevalle alustalle. Työn pitäminen käsin tai vartaloa vasten on epävakaata ja saattaa johtaa kontrollin menetykseen.
- ◆ Ennen kuin poraat seinä, lattiaa tai kattoja, tarkista sähköjohtojen ja putkien sijainti.
- ◆ Älä koske terään heti poraamisen jälkeen. Terä saattaa olla kuuma.
- ◆ Tätä työkalua ei ole tarkoitettu sellaisten henkilöiden käyttöön, joilla on fyysisiä tai älyllisiä rajoitteita tai aistirajoitteita, eikä laitteen toimintaan perehtymättömien henkilöiden käyttöön (lapset mukaan luettuina), paitsi valvonnan alaisina, tai jos he ovat saaneet laitteen käyttöön liittyvää opastusta heidän turvallisuudestaan vastaavalla henkilöllä. Lapsia tulee valvoa ja varmistaa, että he eivät leiki laitteella.
- ◆ Tarkoitettu käyttö on kuvattu tässä käyttöohjeessa. Käytä työkalua ainoastaan sellaiseen työhön, johon se on tarkoitettu, ja käytä vain tässä käyttöohjeessa suositeltuja tarvikkeita ja lisälaitteita.

Ohjeesta poikkeava käyttö voi aiheuttaa henkilö- ja/tai omaisuusvahinkoja.

- ◆ Käytä hengityssuojainta, mikäli työkalun käyttö voi tuottaa pölyä tai lentäviä hiukkasia.

## Muiden henkilöiden turvallisuus

- ◆ Tämä laite ei ole tarkoitettu henkilöiden (mukaan lukien lapset) käytettäväksi, joiden fyysiset, sensoriset tai henkiset kyvyt tai kokemus ja tietämys ovat rajalliset, ellei heidän turvallisuudestaan vastuussa oleva henkilö valvo tai ohjaa heitä laitteen käytössä.
- ◆ Lapsia tulee valvoa ja varmistaa, että he eivät leiki laitteella.

## Muut riskit.

Muut kuin turvavaroituksissa mainitut riskit ovat mahdollisia työkalua käytettäessä. Nämä riskit voivat liittyä muun muassa virheelliseen tai pitkäaikaiseen käyttöön.

Tiettyjä jännönsriskejä ei voi välttää, vaikka noudatetaan kaikkia turvamääräyksiä ja käytetään turvalaitteita. Näitä ovat:

- ◆ pyörivien tai liikkuvien osien koskettamisen aiheuttamat vahingot.
- ◆ osia, teriä tai lisävarusteita vaihdettaessa aiheutuneet vahingot.
- ◆ työkalun pitkäaikaisen käytön aiheuttamat vahingot. Varmista, että pidät säännöllisesti taukoja työkalun pitkäaikaisen käytön aikana.
- ◆ Kuulon heikkeneminen.
- ◆ Työkälyä käytettäessä (esimerkiksi puuta, erityisesti tammea, pöykkiä ja MDF-levyjä käsiteltäessä) syntyneen pölyn sisäinhengityksen aiheuttamat terveysriskit.

## Tärinä

Teknisissä tiedoissa ja vaatimustenmukaisuusilmoituksessa ilmoitetut tärinäpäästöarvot on mitattu standardin EN 60745 testausmenetelmän mukaisesti, ja niiden avulla voidaan vertailla työkaluja keskenään. Ilmoitettua tärinäpäästöarvoa voi käyttää myös allistumisen alustavaan arviointiin.

**Varoitus!** Sähkötyökalun käytön aikana mitattu todellinen tärinäpäästöarvo voi poiketa ilmoitetusta tärinäpäästöarvosta työkalun käyttötavan mukaan. Tärinätaso voi olla ilmoitettua tasoa suurempi. Kun tärinälle allistumista arvioidaan sen määrittämiseksi, mitä direktiivin 2002/44/EY mukaisia turvatoimenpiteitä vaaditaan sähkötyökaluja säännöllisesti käyttävien henkilöiden suojelemiseksi, tärinälle allistumisen arvioinnissa on otettava huomioon todelliset käyttöolosuhteet ja työkalun käyttötavat. Todellisen käytön lisäksi on kiinnitettävä huomiota myös siihen, milloin työkalu on sammutettuna tai se käy tyhjäkäynnillä.

## Työkalun tarrat

Työkaluun on merkitty päivämääräkoodi sekä seuraavat varoitusmerkinnot:



**Varoitus!** Käyttäjän on luettava käyttöohje vahinkojen välttämiseksi.



Käytä kuulosuojaimia iskuporakonetta käyttäessäsi. Melulle allistuminen voi aiheuttaa kuulon menetyksen.

## Sähköturvallisuus



Tämä laite on kaksoiseristetty, joten erillistä maadoitusta ei tarvita. Tarkista aina, että verkkovirran jännite vastaa tyyppikilpeen merkittyä jännitettä.

- ◆ Jos virtajohto on vaurioitunut, se tulee viedä valmistajalle tai valtuutettuun BLACK+DECKER-huoltopalveluun vaihtoa varten.

## Yleiskuvaus

Tässä laitteessa on kaikki tai joitakin seuraavista

1. Säädettävä nopeuskytkin
2. Lukituspainike
3. Suunnanvaihtokytkin
4. Porausliian valitsin
5. Istukka
6. Istukan lukitus
7. Sivukahva

## Asennus

**Varoitus!** Varmista ennen kokoamista, että virta on katkaistu ja että virtajohto on irti pistorasiasta.

## Sivukahvan kiinnittäminen (kuva A)

- ◆ Käännä kahvaa vastapäivään, kunnes voit liu'uttaa sivukahvan (7) työkalun etuosaan.
- ◆ Kierrä sivukahva haluttuun asentoon.
- ◆ Kiristä sivukahva kiertämällä kahvaa myötäpäivään.

## Lisävarusteen kiinnittäminen (kuva B)

- ◆ Paina istukan lukitusta (6).
- ◆ Avaa istukka kiertämällä holkkia (5) vastapäivään.
- ◆ Työnä terän varsi (8) istukkaan.
- ◆ Kiristä istukka kiertämällä holkkia myötäpäivään.

## Käyttö

**Varoitus!** Anna työkalun käydä omaan tahtiinsa. Älä ylikuormita sitä.

**Varoitus!** Tarkista kohde johtojen ja putkien avaralla ennen seinään, lattiaan tai kattoon poraamista.

## Käynnistäminen ja pysäyttäminen (kuva C)

- ◆ Käynnistä laite painamalla nopeudensäätökytkintä (1). Työkalun nopeus määräytyy sen mukaan, kuinka pitkälle kytkintä työnnetään.
- ◆ Paina lukituspainiketta (2) jatkuvaa toimintaa varten ja vapauttaa nopeudensäätökytkin. Tämä vaihtoehto ei toimi laaksepäin.
- ◆ Sammuta laite vapauttamalla nopeudensäätökytkin. Sammuta työkalu jatkuvan käytön aikana painamalla nopeudensäätökytkintä uudelleen ja vapauttamalla se.

## Pyörimissuunnan valitseminen (kuva D)

Käytä poraamiseen ja ruuvien kiristämiseen eteenpäin suuntautuvaa pyörimisliikettä (myötäpäivään). Käytä ruuvien tai jumiutuneen poranterän irrottamiseen taaksepäin suuntautuvaa pyörimisliikettä.

- ♦ Valitse pyörimissuunta eteenpäin työntämällä eteen-/taaksepäin-liukusäädin (3) vasemmalle.
- ♦ Valitse pyörimissuunta taaksepäin työntämällä eteen-/taaksepäin-liukusäädin oikealle.

**Varoitus!** Pyörimissuuntaa ei saa vaihtaa moottorin käydessä.

### Poraustilan valitseminen (kuva E)

- ♦ Kun iskuporaat muurausta tai betonia, asela poraustilan valitsin (4) asentoon q.
- ♦ Kun poraat terästä, puuta ja muovia tai ruuvaat ruuvia, aseta toimintatilan valitsin (4) r-asentoon.

### Lisävarusteet

Työkalan suorituskyky riippuu käytetyistä lisävarusteista.

Korkealaatuiset BLACK+DECKER-lisävarusteet on suunniteltu parantamaan työkalun suorituskykyä. Käyttämällä näitä lisävarusteita saat työkalustasi parhaan hyödyn.

### Huolto

Verkkojohdolla varustettu tai verkkojohdoton BLACK+DECKER-laite on suunniteltu toimimaan mahdollisimman kauan mahdollisimman vähällä huollolla. Oikea käsittely ja säännöllinen puhdistus varmistavat laitteen ongelmattoman toiminnan.

**Varoitus!** Toimi seuraavasti ennen johdollisen/johdotoman sähkötyökalan huoltoa:

- ♦ Sammuta laite/työkalu ja irrota se verkkovirrasta.
- ♦ Tai sammuta laite ja poista akku laitteesta/työkalusta, jos laitteessa/työkalussa on erillinen akku.
- ♦ Jos akku on ehjä, käytä akku täysin loppuun ja sammuta sitten laite.
- ♦ Irrota laturi pistorasiasta ennen laturin puhdistamista. Laturi ei tarvitse säännöllisen puhdistamisen lisäksi mitään muuta huoltoa.
- ♦ Puhdista laitteen/työkalan/laturin ilma-aukot säännöllisesti pehmeällä harjalla tai kuivalla liinalla.
- ♦ Puhdista moottorikotelo säännöllisesti kostealla liinalla. Älä käytä hankaavia tai liuotinpohjaisia puhdistusaineita.
- ♦ Avaa istukka säännöllisesti ja naputtele pöly pois sen sisästä (kun varusteena).


### Varaverkkopistoke (vain Iso-Britannia ja Irlanti)

Jos uusi verkkopistoke läytyy asentaa:

- ♦ Hävitä vanha pistoke ympäristöstävällisesti.
- ♦ Liitä ruskea johto uuden pistokkeen jännitteeseen napaan.
- ♦ Liitä sininen johto tähtipisteliittimeen.

**Varoitus!** Maadoitusliittimeen ei tule tehdä liitoksia. Noudata korkealaatuisten pistokkeiden mukana toimitettuja asennusohjeita. Suositeltu varoke: 5 A.

### Ympäristönsuojelu

 Toimita tämä laite erilliserärykseen. Tällä symbolilla merkityt tuotteita ja akkuja ei saa hävittää tavallisen kotitalousjätteen mukana. Tuotteissa ja akuissa on materiaaleja, jotka voidaan ottaa talteen tai kierrättää uudelleen käyttöä varten.

Kierrätä sähkölaitteet ja akut paikallisten määräyksien mukaan. Lisätietoa on saatavilla osoitteessa [www.2helpU.com](http://www.2helpU.com)

### Tekniset tiedot

		BEH550	BEH710
Syöttöjännite	$V_{ac}$	230	230
Kuormittamaton nopeus	$\text{min}^{-1}$	0 - 2800	0 - 2800
Iskutaajuus	$\text{min}^{-1}$	0 - 47600	0 - 47600
Paino	kg	1,7	1,76
Suurin mahdollinen porausteho			
Betoni	mm	13	13
Teräs	mm	13	13
Puu	mm	25	25

#### BEH550 Äänenpainetaso standardin EN 60745 mukaisesti:

Äänenpaine ( $L_{pM}$ ) 93,5 dB(A), epävarmuus (K) 3 dB(A)

Äänitehotaso ( $L_{WA}$ ) 104,5 dB(A), epävarmuus (K) 3 dB(A)

#### BEH710 Äänenpainetaso standardin EN 60745 mukaisesti:

Äänenpaine ( $L_{pM}$ ) 95,5 dB(A), epävarmuus (K) 3 dB(A)

Äänitehotaso ( $L_{WA}$ ) 106,5 dB(A), epävarmuus (K) 3 dB(A)

#### BEH550 Tärinän kokonaisarvot (vektorisumma) standardin EN 60745 mukaisesti:

Iskuporattaessa betonia ( $a_{h, ID}$ ) 14,8  $\text{m/s}^2$ , epävarmuus (K) 1,5  $\text{m/s}^2$

Porattaessa metallia ( $a_{h, D}$ ) 2,8  $\text{m/s}^2$ , epävarmuus (K) 1,5  $\text{m/s}^2$

#### BEH710 Tärinän kokonaisarvot (vektorisumma) standardin EN 60745 mukaisesti:

Iskuporattaessa betonia ( $a_{h, ID}$ ) 16,2  $\text{m/s}^2$ , epävarmuus (K) 1,5  $\text{m/s}^2$

Porattaessa metallia ( $a_{h, D}$ ) 3,5  $\text{m/s}^2$ , epävarmuus (K) 1,5  $\text{m/s}^2$

### EY-vaatimustenmukaisuusvakuutus

KONEDIREKTIIVI



BEH550, BEH710 Iskuporakone

Black & Decker ilmoittaa, että tuotteet, jotka on kuvattu kohdassa

Tekniset tiedot, täyttävät seuraavien direktiivien vaatimukset:

EN60745-1:2009+A11:2010, EN60745-2-1:2010.

Nämä tuotteet täyttävät myös direktiivien 2014/30/EU, 2006/42/EU ja 2011/65/EU vaatimukset.

Lisätietoja saa ottamalla yhteyden Black & Deckeriin seuraavassa osoitteessa. Tiedot ovat myös käyttöohjeen takakannessa.

Allekirjoittanut vastaa teknisten tietojen kokoamisesta tehden tämän ilmoituksen Black & Deckerin puolesta.



R. Laverick  
Teknisen osaston johtaja  
Black & Decker Europe, 210 Bath Road, Slough,  
Berkshire, SL1 3YD  
Iso-Britannia  
14.12.2017

## Takuu

Black & Decker on vakuuttanut tuotteidensa korkeasta laadusta ja tarjoaa kuluttajille 24 kuukauden takuu, joka astuu voimaan ostopäivänä. Takuu on lisäys kuluttajan laillisiin oikeuksiin eikä vaikuta niihin. Tämä takuu on voimassa kaikissa EU- ja ETA-maissa.

Edellytyksenä takuun saamiselle on, että vaade täyttää Black & Deckerin ehdot ja että ostaja toimittaa ostotositteen jälleenmyyjälle tai valtuutetulle huoltoilikeelle. Black & Deckerin kahden vuoden takuun ehdot ja lähimmän valtuutetun korjauspalvelun yhteystiedot ovat saatavilla osoitteessa [www.2helpU.com](http://www.2helpU.com) tai ottamalla yhteyttä paikalliseen Black & Deckerin toimipisteeseen tässä ohjekirjassa ilmoitettuihin osoitteisiin.

Käy verkkosivuillemme osoitteessa [www.blackanddecker.co.uk](http://www.blackanddecker.co.uk) ja rekisteröi uusi Black & Decker -tuotteesi. Sivuilta saat myös päivityksiä uusista tuotteista ja erikoistarjouksista.

## ΕΛΛΗΝ

(Μετάφραση των πρωτότυπων οδηγιών)

## Προβλεπόμενη χρήση

To kroustiko σας δράπανο BLACK+DECKER BEH550, BEH710, έχει σχεδιαστεί για τη διάτρηση ξύλου, μετάλλου, πλαστικών και ειδών τοιχοποιίας, καθώς και για εφαρμογές βιδώματος. Αυτό το εργαλείο προορίζεται μόνο για καταναλωτική χρήση.

## Οδηγίες ασφαλείας

### Γενικές προειδοποιήσεις ασφαλείας για ηλεκτρικά εργαλεία

**Προειδοποίηση! Διαβάστε όλες τις προειδοποιήσεις ασφαλείας και όλες τις οδηγίες.** Η μη τήρηση των προειδοποιήσεων και των οδηγιών που αναφέρονται παρακάτω μπορεί να έχει ως αποτέλεσμα ηλεκτροπληξία, πυρκαγιά και/ή σοβαρό τραυματισμό.

Φυλάξτε όλες τις προειδοποιήσεις και τις οδηγίες για μελλοντική αναφορά. Ο χαρακτηρισμός "ηλεκτρικό εργαλείο" που χρησιμοποιείται στις προειδοποιήσεις αφορά το ηλεκτρικό εργαλείο που συνδέεται στην πρίζα (με καλώδιο) ή λειτουργεί με μπαταρία (χωρίς καλώδιο).

### 1. Ασφάλεια χώρου εργασίας

α. Διατηρείτε το χώρο εργασίας καθαρό και καλά φωτισμένο. Οι ακατάστατοι και σκοτεινοί χώροι αυξάνουν σημαντικά τον κίνδυνο ατυχημάτων.

- β. Μη χρησιμοποιείτε ηλεκτρικά εργαλεία σε κρηκτικά περιβάλλοντα, όπως με την παρουσία εύφλεκτων υγρών, αερίων ή σκόνης. Τα ηλεκτρικά εργαλεία παράγουν σπινθήρες που μπορεί να προκαλέσουν ανάφλεξη της σκόνης ή των αναθυμιάσεων.
- γ. Όταν χρησιμοποιείτε ηλεκτρικό εργαλείο, κρατάτε τα παιδιά και άλλα άτομα μακριά. Παράγοντες που αποσπούν την προσοχή μπορεί να σας κάνουν να χάσετε τον έλεγχο.

### 2. Ασφαλής χρήση ηλεκτρικού ρεύματος

- α. Τα φως των ηλεκτρικών εργαλείων πρέπει να ταιριάζουν στην πρίζα. Ποτέ μην τροποποιήσετε το φως με κανένα τρόπο. Μη χρησιμοποιήσετε οποιαδήποτε φως προσαρμογής με γειωμένα ηλεκτρικά εργαλεία. Τα μη τροποποιημένα φως και οι κατάλληλες πρίζες μειώνουν τον κίνδυνο ηλεκτροπληξίας.
- β. Αποφεύγετε την επαφή του σώματός σας με γειωμένες επιφάνειες όπως σωλήνες, σώματα θέρμανσης, κουζίνες και ψυγεία. Υπάρχει αυξημένος κίνδυνος ηλεκτροπληξίας αν το σώμα σας είναι γειωμένο.
- γ. Μην εκθέτετε τα ηλεκτρικά εργαλεία σε βροχή ή υγρασία. Η εισχώριση νερού σε ηλεκτρικό εργαλείο αυξάνει τον κίνδυνο ηλεκτροπληξίας.
- δ. Μην κακομεταχειρίζεστε το καλώδιο. Ποτέ μη χρησιμοποιήσετε το καλώδιο για μεταφορά, τράβηγμα ή αποσύνδεση του ηλεκτρικού εργαλείου. Κρατάτε το καλώδιο μακριά από θερμότητα, λάδια, αιχμηρά άκρα ή κινούμενα μέρη. Τα καλώδια που έχουν υποστεί ζημιά ή είναι μπερδεμένα αυξάνουν τον κίνδυνο ηλεκτροπληξίας.
- ε. Όταν χρησιμοποιείτε ηλεκτρικό εργαλείο σε εξωτερικό χώρο, χρησιμοποιείτε καλώδιο επέκτασης κατάλληλο για χρήση σε εξωτερικό χώρο. Η χρήση καλωδίου κατάλληλου για εργασία σε εξωτερικούς χώρους μειώνει τον κίνδυνο ηλεκτροπληξίας.
- στ. Αν η χρήση ηλεκτρικού εργαλείου σε θέση με υγρασία είναι αναπόφευκτη, χρησιμοποιήστε μια διάταξη προστασίας ρεύματος διαρροής (RCD) για προστασία της παροχής. Η χρήση μιας διάταξης RCD μειώνει τον κίνδυνο ηλεκτροπληξίας.

### 3. Προσωπική ασφάλεια

- α. Πάντοτε παραμένετε σε εγρήγορση, προσέχετε τι κάνετε και χρησιμοποιείτε την κοινή λογική όταν χρησιμοποιείτε ένα ηλεκτρικό εργαλείο. Μη χρησιμοποιείτε ηλεκτρικό εργαλείο αν είστε κουρασμένοι ή υπό την επίρροια ναρκωτικών, οινοπνεύματος ή φαρμακευτικής αγωγής. Μία μόνο στιγμή απροσεξίας κατά τον χειρισμό ηλεκτρικών εργαλείων μπορεί να προκαλέσει προσωπικό τραυματισμό.
- β. Να χρησιμοποιείτε ατομικό εξοπλισμό προστασίας. Πάντα να φοράτε προστασία ματιών. Ο προστατευτικός εξοπλισμός όπως η μάσκα σκόνης, τα αντιολισθητικά παπούτσια ασφαλείας, το κράνος και η προστασία ακοής όταν χρησιμοποιούνται για κατάλληλες συνθήκες θα μειώσουν τις σωματικές βλάβες.
- γ. Αποτρέψτε την ακούσια ενεργοποίηση. Να βεβαιώνετε ότι ο διακόπτης είναι στη θέση απενεργοποίησης πριν συνδέσετε το εργαλείο στην πηγή ρεύματος και/ή το πακέτο μπαταρίας, πριν πάρετε στα χέρια σας ή μεταφέρετε το εργαλείο. Η μεταφορά ηλεκτρικών εργαλείων με το δάκτυλο στο διακόπτη ή η τροφοδοσία με ρεύμα ηλεκτρικών εργαλείων με το διακόπτη ενεργοποιημένο είναι αιτία πρόκλησης ατυχημάτων.

- δ. Αφαιρέστε κάθε κλειδί ρύθμισης πριν την ενεργοποίηση του ηλεκτρικού εργαλείου. Αν έχει μείνει ένα κλειδί συνδεδεμένο σε περιστρεφόμενο εξάρτημα του ηλεκτρικού εργαλείου, μπορεί να προκληθεί τραυματισμός ατόμων.
- ε. Μην τεντώνετε υπερβολικά. Διατηρείτε σταθερή στήριξη στα πόδια σας και καλή ισορροπία σε κάθε περίπτωση. Έτσι μπορείτε να έχετε καλύτερο έλεγχο του ηλεκτρικού εργαλείου σε μη αναμενόμενες καταστάσεις.
- στ. Φοράτε κατάλληλη ενδυμασία εργασίας.  
Μη φοράτε ρούχα με χαλαρή εφαρμογή ούτε κοσμήματα. Κρατάτε τα μαλλιά, τα ρούχα και τα γάντια σας μακριά από κινούμενα μέρη. Τα ρούχα με χαλαρή εφαρμογή, τα κοσμήματα ή τα μακριά μαλλιά μπορεί να πιαστούν σε κινούμενα εξαρτήματα.
- ζ. Αν παρέχονται διατάξεις για τη σύνδεση συστημάτων εξαγωγής και συλλογής της σκόνης, βεβαιωθείτε ότι αυτές είναι συνδεδεμένες και χρησιμοποιούνται σωστά. Η χρήση κανίστρου συλλογής σκόνης μπορεί να μειώσει τους κινδύνους από τη σκόνη.
4. Χρήση και φροντίδα ηλεκτρικών εργαλείων
- α. Μην υπερφορτώνετε το ηλεκτρικό εργαλείο. Χρησιμοποιείτε το σωστό ηλεκτρικό εργαλείο για την εφαρμογή σας. Το σωστό ηλεκτρικό εργαλείο θα εκτελέσει την εργασία καλύτερα και ασφαλέστερα με το ρυθμό για τον οποίο σχεδιάστηκε.
- β. Μη χρησιμοποιήσετε το ηλεκτρικό εργαλείο αν ο διακόπτης του δεν μπορεί να το ενεργοποιεί και απενεργοποιεί. Οποιοδήποτε ηλεκτρικό εργαλείο δεν μπορεί να ελεγχθεί με το διακόπτη είναι επικίνδυνο και πρέπει να επισκευαστεί.
- γ. Αποσυνδέετε το φις από την πηγή ρεύματος και/ή το πακέτο μπαταρίας από το ηλεκτρικό εργαλείο πριν κάνετε οποιοδήποτε ρυθμίσεις, αλλάζετε αξεσουάρ ή αποθηκεύσετε το ηλεκτρικό εργαλείο. Αυτά τα προληπτικά μέτρα ασφαλείας μειώνουν τον κίνδυνο να τενθεί το ηλεκτρικό εργαλείο σε λειτουργία αβέλτητα.
- δ. Αποθηκεύετε τα ηλεκτρικά εργαλεία που δεν χρησιμοποιούνται μακριά από παιδιά και μην αφήνετε να χρησιμοποιούν το ηλεκτρικό εργαλείο άτομα μη εξοικειωμένα με το ηλεκτρικό εργαλείο ή με αυτές τις οδηγίες. Ισχύς ηλεκτρικά εργαλεία είναι επικίνδυνα στα χέρια μη εκπαιδευμένων χρηστών.
- ε. Να συντηρείτε τα ηλεκτρικά εργαλεία. Ελέγχετε για προβλήματα ευθυγράμμισης ή κάμψης των κινούμενων μερών, θραύσης εξαρτημάτων και για οποιοδήποτε άλλο πρόβλημα μπορεί να επηρεάσει τη λειτουργία των ηλεκτρικών εργαλείων. Αν ένα ηλεκτρικό εργαλείο έχει υποστεί ζημιά, φροντίστε να επισκευαστεί πριν τη χρήση. Πολλά ατυχήματα προκαλούνται από κακωσυντηρημένα ηλεκτρικά εργαλεία.
- στ. Διατηρείτε τα κοπτικά εργαλεία κοφτερά και καθαρά. Τα σωστά συντηρημένα κοπτικά εργαλεία με κοφτερές ακμές έχουν μικρότερη πιθανότητα να μαγκώσουν και ελέγχονται ευκολότερα.
- ζ. Χρησιμοποιείτε το ηλεκτρικό εργαλείο, τα αξεσουάρ και τις μύτες του εργαλείου κλπ. σύμφωνα με τις παρούσες οδηγίες, λαμβάνοντας υπόψη τις συνθήκες εργασίας και την προς εκτέλεση εργασία. Η χρήση του ηλεκτρικού εργαλείου για εργασίες διαφορετικές από τις προβλεπόμενες μπορεί να προκαλέσει επικίνδυνη κατάσταση.

## 5. Σέρβις

- α. Αναθέστε το σέρβις του ηλεκτρικού εργαλείου σας σε εξειδικευμένο τεχνικό επισκευών που χρησιμοποιεί μόνο ακριβώς ίδια ανταλλακτικά. Αυτό θα εξασφαλίσει τη διατήρηση της ασφάλειας του ηλεκτρικού εργαλείου.

## Πρόσθετες προειδοποιήσεις ασφαλείας για ηλεκτρικά εργαλεία



**Προειδοποίηση!** Συμπληρωματικές προειδοποιήσεις ασφαλείας για τρυπάνια και κρουστικά τρυπάνια.

- Όταν χρησιμοποιείτε κρουστικά δράπανα, να φοράτε ωτοασπίδες. Η έκθεση σε θόρυβο μπορεί να προκαλέσει απώλεια ακοής.
  - Χρησιμοποιείτε τις βοηθητικές λαβές που παρέχονται μαζί με το εργαλείο. Η απώλεια ελέγχου μπορεί να προκαλέσει σωματική βλάβη.
  - Κρατάτε το ηλεκτρικό εργαλείο από μονωμένες επιφάνειες λαβής όταν εκτελείτε μια εργασία όπου το αξεσουάρ κοπής μπορεί να έρθει σε επαφή με αθάνατα καλώδια. Αν αξεσουάρ κοπής έρθει σε επαφή με καλώδιο υπό τάση, μπορεί να τεθούν υπό ηλεκτρική τάση και τα εκτεθειμένα μεταλλικά μέρη του ηλεκτρικού εργαλείου και να προκληθεί ηλεκτροπληξία στο χειριστή.
  - Ποτέ μη χρησιμοποιείτε αξεσουάρ σμίλευσης σε περιστροφική λειτουργία. Το αξεσουάρ θα ακινητοποιηθεί μέσα στο υλικό και θα περιστρέφει το δράπανο.
  - Χρησιμοποιείτε φινιγκήρες ή άλλο πρακτικό τρόπο για να στερεώνετε και να στηρίζετε το αντικείμενο εργασίας σε σταθερό υπόβαθρο. Αν κρατάτε το τεμάχιο εργασίας με το χέρι σας ή κόντρα στο σώμα σας, αυτό δεν είναι σταθερό και μπορεί να προκληθεί απώλεια ελέγχου.
  - Πριν τη διάτρηση τοίχων, δαπέδων ή ταβανίων, ελέγχετε για τις θέσεις καλωδίων και σωλήνων.
  - Αποφεύγετε να αγγίζετε την άκρη του τρυπανιού αμέσως μετά τη διάτρηση, καθώς μπορεί να καίει.
  - Αυτό το εργαλείο δεν προορίζεται για χρήση από άτομα (στα οποία περιλαμβάνονται και τα παιδιά) με μειωμένες φυσικές, αντιληπτικές ή διανοητικές ικανότητες ή άτομα χωρίς εμπειρία και γνώσεις, παρά μόνο εφόσον επιτηρούνται ή τους έχουν δοθεί οδηγίες σχετικά με τη χρήση του εργαλείου από άτομο υπεύθυνο για την ασφάλειά τους. Τα παιδιά θα πρέπει να βρίσκονται υπό επίβλεψη ώστε να διασφαλίζεται ότι δεν παίζουν με τη συσκευή.
  - Η προβλεπόμενη χρήση περιγράφεται στο παρόν εγχειρίδιο οδηγιών. Η χρήση οποιοδήποτε αξεσουάρ ή προσαρτήματος ή η εκτέλεση με αυτό το εργαλείο οποιασδήποτε εργασίας διαφορετικής από αυτές που συνιστώνται στο παρόν εγχειρίδιο οδηγιών ενδέχεται να εκκινεί κίνδυνο σωματικής βλάβης και/ή υλικών ζημιών.
  - Χρησιμοποιείτε προσωπίδα ή μάσκα προστασίας από τη σκόνη οποτεδήποτε οι εργασίες μπορεί να παράγουν σκόνη ή ιπτάμενα σωματίδια.
- ### Ασφάλεια τρίτων
- Αυτή η συσκευή δεν προορίζεται για χρήση από άτομα (περιλαμβανομένων παιδιών) με μειωμένες σωματικές, αισθητηριακές ή πνευματικές ικανότητες, ή με έλλειψη εμπειρίας και γνώσης, εκτός αν σε αυτά έχει παρασχεθεί από άτομο υπεύθυνο για την ασφάλειά τους επίβλεψη ή εκπαίδευση σχετικά με τη χρήση της συσκευής.
  - Τα παιδιά θα πρέπει να βρίσκονται υπό επίβλεψη ώστε να διασφαλίζεται ότι δεν παίζουν με τη συσκευή.

### Υπολειπόμενοι κίνδυνοι.

Κατά τη χρήση του εργαλείου μπορεί να δημιουργηθούν πρόσθετοι υπολειπόμενοι κίνδυνοι, οι οποίοι ενδέχεται να μη συμπεριλαμβάνονται στις προειδοποιήσεις ασφαλείας που σωκλείονται.

Αυτοί οι κίνδυνοι μπορεί να προκληθούν από κακή χρήση, παρατεταμένη χρήση κλπ.

Παρά την εφαρμογή των σχετικών κανονισμών ασφαλείας και τη χρήση διατάξεων ασφαλείας, ορισμένοι υπολειπόμενοι κίνδυνοι δεν είναι δυνατά να αποφευχθούν.

Αυτοί περιλαμβάνουν:

- ♦ Τραυματισμούς από την επαφή με οποιαδήποτε περιστρεφόμενα/κινούμενα μέρη.
- ♦ Τραυματισμούς από αλλαγή οποιωνδήποτε εξαρτημάτων, λεπίδων ή αξεσουάρ.
- ♦ Τραυματισμούς από παρατεταμένη χρήση του εργαλείου. Όταν χρησιμοποιείτε οποιοδήποτε εργαλείο για παρατεταμένα χρονικά διαστήματα, μην παραλείπετε με κανέναν τρόπο να κάνετε τακτικά διαλείμματα.
- ♦ Βλάβη της ακοής.
- ♦ Κινδύνους για την υγεία λόγω εισπνοής σκόνης που αναπτύσσεται κατά τη χρήση του εργαλείου (παραδείγματα: εργασία με ξύλο, ειδικά βελανιδιά, οξιά και MDF.)

### Κραδασμοί

Η δηλωμένη τιμή εκπομπής κραδασμών που αναφέρεται στα τεχνικά χαρακτηριστικά και τη δήλωση συμμόρφωσης έχει μετρηθεί σύμφωνα με τυποποιημένη μέθοδο δοκιμής που παρέχεται από το πρότυπο EN 60745 και μπορεί να χρησιμοποιηθεί για τη σύγκριση ενός εργαλείου με ένα άλλο. Η δηλωμένη τιμή εκπομπής κραδασμών μπορεί επίσης να χρησιμοποιηθεί σε έναν προκαταρκτικό προσδιορισμό της έκθεσης σε κραδασμούς.

**Προειδοποίηση!** Στην πράξη, η τιμή εκπομπής κραδασμών κατά την χρήση του ηλεκτρικού εργαλείου μπορεί να διαφέρει από την τιμή που δηλώθηκε, ανάλογα με τον τρόπο που χρησιμοποιείται το εργαλείο. Το επίπεδο κραδασμών μπορεί να αυξηθεί πάνω από το επίπεδο που έχει δηλωθεί.

Κατά τον προσδιορισμό της έκθεσης σε κραδασμούς για τον καθορισμό των απαιτούμενων μέτρων ασφαλείας σύμφωνα με την οδηγία 2002/44/ΕΚ για την προστασία προσώπων που χρησιμοποιούν συχνά ηλεκτρικά εργαλεία στην εργασία τους, μια προσεγγιστική εκτίμηση της έκθεσης σε κραδασμούς πρέπει να λαμβάνει υπόψη τις πραγματικές συνθήκες χρήσης και τον τρόπο χρήσης του εργαλείου, συμπεριλαμβανομένων και όλων των επιμέρους τμημάτων του κύκλου εργασίας, όπως τα χρονικά διαστήματα που το εργαλείο ήταν εκτός λειτουργίας και τα διαστήματα λειτουργίας χωρίς φορτίο, επιπλέον του χρόνου πίεσης της σκανδάλης.

### Ετικέτες πάνω στο εργαλείο

Το εργαλείο φέρει τα παρακάτω εικονογράμματα μαζί με τον κωδικό ημερομηνίας:



**Προειδοποίηση!** Για να μειωθεί ο κίνδυνος τραυματισμού, ο χρήστης πρέπει να διαβάσει το εγχειρίδιο οδηγιών.



Όταν χρησιμοποιείτε κρουστικά δράπανα, να φοράτε ωτασπίδες. Η έκθεση σε θόρυβο μπορεί να προκαλέσει απώλεια ακοής

### Ασφαλής χρήση ηλεκτρικού ρεύματος



Αυτό το εργαλείο φέρει διπλή μόνωση. Επομένως, δεν απαιτείται καλώδιο γείωσης. Ελέγχετε πάντα ότι η παροχή ρεύματος αντιστοιχεί στην τάση που αναφέρεται στην πινακίδα στοιχείων.

- ♦ Αν το καλώδιο ρεύματος έχει υποστεί φθορά, πρέπει να αντικατασταθεί από αντικατασταθεί από τον κατασκευαστή ή από ένα εξουσιοδοτημένο κέντρο σέρβις της BLACK+DECKER, για αποφυγή κινδύνων.

### Χαρακτηριστικά

Η συσκευή αυτή διαθέτει μερικά ή όλα από τα παρακάτω χαρακτηριστικά.

1. Διακόπτη ρύθμισης ταχύτητας
2. Κομπτί ασφάλισης στην ενεργοποιημένη κατάσταση
3. Διακόπτη κίνησης προς τα εμπρός/πίσω
4. Επιλογή τρόπου διάτρησης
5. Τσοκ
6. Ασφάλεια του τσοκ
7. Πλευρική λαβή

### Συναρμολόγηση

**Προειδοποίηση!** Πριν από τη συναρμολόγηση, βεβαιωθείτε ότι το εργαλείο είναι απενεργοποιημένο και ότι το φις δεν είναι συνδεδεμένο στην πρίζα.

### Τοποθέτηση της πλευρικής λαβής (εικ. Α)

- ♦ Περιστρέψτε το τμήμα κρατήματος αριστερότροφα μέχρι να μπορείτε να μετακινήσετε την πλευρική λαβή (7) στο μπροστινό μέρος του εργαλείου.
- ♦ Περιστρέψτε την πλευρική λαβή στην επιθυμητή θέση.
- ♦ Σφίξτε την πλευρική λαβή περιστρέφοντας την περιοχή κρατήματος δεξιάτροφα.

### Τοποθέτηση εξαρτήματος (εικ. Β)

- ♦ Πιέστε την ασφάλεια του τσοκ (6)
- ♦ Ανοίξτε το τσοκ περιστρέφοντας το κολάρο (5) αριστερότροφα.
- ♦ Εισάγετε τον άξονα της μύτες (8) στο τσοκ.
- ♦ Σφίξτε το τσοκ περιστρέφοντας το κολάρο δεξιάτροφα.

### Χρήση

**Προειδοποίηση!** Αφήστε το εργαλείο να λειτουργήσει με το δικό του ρυθμό. Μην το υπερφορτώνετε.

**Προειδοποίηση!** Πριν τη διάτρηση τοίχων, δαπέδων ή ταβανιών, ελέγχετε για τις θέσεις καλωδιώσεων και σωλήνων.

### Ενεργοποίηση και απενεργοποίηση (εικ. C)

- ♦ Για να ενεργοποιήσετε το εργαλείο, πιέστε το διακόπτη ρύθμισης ταχύτητας (1). Η ταχύτητα λειτουργίας του εργαλείου εξαρτάται από το πόσο πιέζετε το διακόπτη.
- ♦ Για συνεχή λειτουργία, πατήστε το κομπτί (2) ασφάλισης στην ενεργοποιημένη κατάσταση και αφήστε ελεύθερο το διακόπτη ρύθμισης ταχύτητας. Η επιλογή αυτή δεν λειτουργεί στην περιστροφή προς τα πίσω.
- ♦ Για να απενεργοποιήσετε το εργαλείο, ελευθερώστε το διακόπτη ρύθμισης ταχύτητας. Για να απενεργοποιήσετε το εργαλείο όταν αυτό είναι σε τρόπο συνεχούς λειτουργίας, πιέστε πάλι το διακόπτη ρύθμισης ταχύτητας και ελευθερώστε τον.

**Επιλογή της κατεύθυνσης περιστροφής (εικ. D)**

Για διάτρηση και για βίδωμα, χρησιμοποιήστε την προς εμπρός (δεξιόστροφη) περιστροφή. Για ξεβίδωμα και για αφαίρεση μύτης τρυπανιού που έχει κολλήσει, χρησιμοποιείτε την αναστροφή (αριστερόστροφη) περιστροφή.

- ♦ Για επιλογή της προς τα εμπρός περιστροφής, πιέστε το συρόμενο διακόπτη κίνησης προς τα εμπρός/πίσω (3) προς τα αριστερά.
- ♦ Για να επιλέξετε περιστροφή όπισθεν, πιέστε το συρόμενο κουμπί περιστροφής εμπρός/όπισθεν προς τα δεξιά.

**Προειδοποίηση!** Ποτέ μην αλλάξετε την κατεύθυνση περιστροφής όταν το μοτέρ βρίσκεται σε λειτουργία.

**Επιλογή του τρόπου διάτρησης (εικ. E)**

- ♦ Για κρουστική διάτρηση σε είδη τοιχοποιίας και σκυρόδεμα, θέστε τον επιλογέα τρόπου διάτρησης (4) στη θέση α.
- ♦ Για διάτρηση σε χάλυβα, ξύλο και πλαστικά ή για βίδωμα, θέστε τον επιλογέα τρόπου λειτουργίας (4) στη θέση γ.

**Αξεσουάρ**

Η απόδοση του εργαλείου σας εξαρτάται από το αξεσουάρ που χρησιμοποιείτε. Τα αξεσουάρ της BLACK+DECKER έχουν κατασκευαστεί μηχανικά με βάση πρότυπα υψηλής ποιότητας και είναι σχεδιασμένα να ενισχύουν την απόδοση του εργαλείου σας. Χρησιμοποιώντας αυτά τα αξεσουάρ, θα εξασφαλίσετε την καλύτερη δυνατή απόδοση του εργαλείου σας.

**Συντήρηση**

Αυτή η συσκευή/το εργαλείο ρεύματος/μπαταρίας της BLACK+DECKER έχει σχεδιαστεί έτσι ώστε να λειτουργεί για μεγάλο χρονικό διάστημα με την ελάχιστη δυνατή συντήρηση. Η συνεχής ικανοποιητική λειτουργία εξαρτάται από τη σωστή φροντίδα και τον τακτικό καθαρισμό του εργαλείου.

**Προειδοποίηση!** Πριν πραγματοποιήσετε οποιοδήποτε συντήρηση σε ηλεκτρικά εργαλεία ρεύματος/μπαταρίας:

- ♦ Απενεργοποιήστε και αποσυνδέστε τη συσκευή/εργαλείο από την πρίζα.
- ♦ Ή απενεργοποιήστε και αφαιρέστε την μπαταρία από τη συσκευή/το εργαλείο αν η συσκευή/το εργαλείο έχει αφαιρεόμενο πακέτο μπαταρίας.
- ♦ Ή χρησιμοποιήστε τη συσκευή μέχρι να εξαντληθεί πλήρως η μπαταρία, αν είναι ενσωματωμένη, και στη συνέχεια απενεργοποιήστε τη συσκευή.
- ♦ Αποσυνδέστε το φορτιστή από την πρίζα πριν τον καθαρίσετε. Ο φορτιστής σας δεν χρειάζεται καμία άλλη συντήρηση πέραν του τακτικού καθαρισμού.
- ♦ Καθαρίζετε τακτικά τα ανοίγματα αερισμού της συσκευής/του εργαλείου/του φορτιστή χρησιμοποιώντας μια μαλακή βούρσα ή ένα στεγνό πανί.
- ♦ Να καθαρίζετε τακτικά το περιβλήμα του μοτέρ με ένα υγρό πανί. Να μη χρησιμοποιείτε καθαριστικά που χαράζουν ή περιέχουν διαλύτες.
- ♦ Να ανοίγετε τακτικά το τσوك και να να χτυπάτε ελαφρά να για να αφαιρείται η σκόνη από το εσωτερικό του (όταν είναι τοποθετημένο).

**Αντικατάσταση του φινι ρευματοληψίας (Ην. Βασίλειο & Ιρλανδία μόνο)**

Αν χρειάζεται να τοποθετηθεί νέο φινι ρευματοληψίας:

- ♦ Αφαιρέστε με ασφαλή τρόπο το παλιό φινι.
- ♦ Συνδέστε τον καφέ αγωγό στον ηλεκτροφόρο ακροδέκτη του νέου ρευματολήπτη.
- ♦ Συνδέστε τον μπλε αγωγό στον ουδέτερο ακροδέκτη.

**Προειδοποίηση!** Δεν πρέπει να γίνει καμία σύνδεση στον ακροδέκτη γείωσης. Ακολουθήστε τις οδηγίες συναρμολόγησης που συνοδεύουν τα καλής ποιότητας φινι. Συνιστώμενη ασφάλεια: 5 A.

**Προστασία του περιβάλλοντος**

Χωριστή συλλογή. Τα προϊόντα και οι μπαταρίες που επιστημαίνονται με αυτό το σύμβολο δεν πρέπει να απορρίπτονται μαζί με τα κανονικά οικιακά απορρίμματα. Τα προϊόντα και οι μπαταρίες περιέχουν υλικά που μπορούν να ανακτηθούν ή να ανακυκλωθούν ώστε να μειωθούν οι ανάγκες για πρώτες ύλες.

Παρακαλούμε να ανακυκλώνετε τα ηλεκτρικά προϊόντα και τις μπαταρίες σύμφωνα με τους τοπικούς κανονισμούς.

Περισσότερες πληροφορίες διατίθενται στον ιστότοπο [www.2helpU.com](http://www.2helpU.com)

**Τεχνικά δεδομένα**

		BEH550	BEH710
Τάση εισόδου	V <sub>ac</sub>	230	230
Ταχύτητα χωρίς φορτίο	min <sup>-1</sup>	0 - 2800	0 - 2800
Ρυθμός κρούσης	min <sup>-1</sup>	0 - 47600	0 - 47600
Βάρος	kg	1.7	1.76
<b>Μέγ. ικανότητα διάτρησης</b>			
Σκυρόδεμα	mm	13	13
Χάλυβας	mm	13	13
Ξύλο	mm	25	25

**BEH550 Στάθμη ηχητικής πίεσης σύμφωνα με το πρότυπο EN 60745:**

Ηχητική πίεση (L<sub>WA</sub>) 93,5 dB(A), αβεβαιότητα (K) 3 dB(A)

Ηχητική ισχύς (L<sub>WA</sub>) 104,5 dB(A), αβεβαιότητα (K) 3 dB(A)

**BEH710 Στάθμη ηχητικής πίεσης σύμφωνα με το πρότυπο EN 60745:**

Ηχητική πίεση (L<sub>WA</sub>) 95,5 dB(A), αβεβαιότητα (K) 3 dB(A)

Ηχητική ισχύς (L<sub>WA</sub>) 106,5 dB(A), αβεβαιότητα (K) 3 dB(A)

**BEH550 Συνολικές τιμές δόνησης (δυναμιακό άθροισμα τριών αξόνων) κατά EN 60745:**

Κρουστική διάτρηση σε σκυρόδεμα (a<sub>h, D</sub>) 14,8 m/s<sup>2</sup>, αβεβαιότητα (K) 1,5 m/s<sup>2</sup>

Διάτρηση σε μέταλλο (a<sub>h, D</sub>) 2,8 m/s<sup>2</sup>, αβεβαιότητα (K) 1,5 m/s<sup>2</sup>

**BEH710 Συνολικές τιμές κραδασμών (δυναμιακό άθροισμα τριών αξόνων) κατά EN 60745:**

Κρουστική διάτρηση σε σκυρόδεμα (a<sub>h, D</sub>) 16,2 m/s<sup>2</sup>, αβεβαιότητα (K) 1,5 m/s<sup>2</sup>

Διάτρηση σε μέταλλο (a<sub>h, D</sub>) 3,5 m/s<sup>2</sup>, αβεβαιότητα (K) 1,5 m/s<sup>2</sup>

**Δήλωση συμμόρφωσης EK**

ΟΔΗΓΙΑ ΠΕΡΙ ΜΗΧΑΝΗΜΑΤΩΝ



BEH550, BEH710 Κρουστικό δράπανο

H Black & Decker δηλώνει ότι τα προϊόντα αυτά που περιγράφονται στα «τεχνικά χαρακτηριστικά» συμμορφώνονται με τα ακόλουθα:



EN60745-1:2009+A11:2010, EN60745-2-1:2010.

Αυτά τα προϊόντα συμμορφώνονται και με την Οδηγία 2014/30/EE, 2006/42/EK and 2011/65/EE.

Για περισσότερες πληροφορίες, επικοινωνήστε με την Black & Decker στην παρακάτω διεύθυνση ή ανατρέξτε στο πίσω μέρος του εγχειριδίου.

Ο κάτωθι υπογεγραμμένος είναι υπεύθυνος για την κατάρτιση του τεχνικού φακέλου και δηλώνει τα παρόντα εκ μέρους της Black & Decker.



R. Laverick  
Διευθυντής Τμήματος Μηχανικής  
Black & Decker Europe, 210 Bath Road, Slough,  
Berkshire, SL1 3YD  
United Kingdom  
14/12/2017

## Εγγύηση

Η Black & Decker είναι σίγουρη για την ποιότητα των προϊόντων της και προσφέρει στους καταναλωτές εγγύηση 24 μηνών από την ημερομηνία αγοράς. Αυτή η εγγύηση συμπληρώνει και με κανένα τρόπο δεν παραβιάζει τα νόμιμα δικαιώματά σας. Η εγγύηση ισχύει εντός της επικράτειας των χωρών μελών της Ευρωπαϊκής Ένωσης και της Ευρωπαϊκής Ζώνης Ελεύθερων Συναλλαγών.

Για να υποβάλετε αξίωση βάσει της εγγύησης, η αξίωση θα πρέπει να είναι σύμφωνη με τους Όρους και προϋποθέσεις της Black & Decker και θα χρειαστεί να υποβάλετε απόδειξη αγοράς στον πωλητή ή σε εξουσιοδοτημένο αντιπρόσωπο επισκευών. Μπορείτε να αποκτήσετε τους Όρους και προϋποθέσεις της εγγύησης 2 ετών της Black & Decker και να μάθετε την τοποθεσία του πλησιέστερου εξουσιοδοτημένου αντιπροσώπου επισκευών στο Internet στο [www.2helpU.com](http://www.2helpU.com), ή επικοινωνώντας με το τοπικό σας γραφείο Black & Decker στη διεύθυνση που υποδεικνύεται στο παρόν εγχειρίδιο.

Παρακαλούμε επισκεφθείτε την ιστοσελίδα μας [www.blackanddecker.gr](http://www.blackanddecker.gr) για να καταχωρίσετε

το νέο σας προϊόν Black & Decker και για να ενημερώνεστε για τα νέα προϊόντα και τις ειδικές προσφορές.

130.com.ua

130.com.ua

130.com.ua

<b>België/Belgique/Luxembourg</b> www.blackanddecker.be enduser.be@sbdinc.com	Stanley Black & Decker Belgium BVBA Egide Walschaertsstraat 16 2800 Mechelen	Tel. NL +32 15 47 37 65 Tel. FR +32 15 47 37 66 Fax. +32 15 47 37 99
<b>Danmark</b>	Black & Decker Roskildevej 22 2620 Albertslund	kundeservice.dk@sbdinc.com www.blackanddecker.dk
<b>Deutschland</b> www.blackanddecker.de infobfge@sdbinc.com	Stanley Black & Decker Deutschland GmbH Black & Decker Str. 40, D - 65510 Idstein	Tel. 06126 21-0 Fax 06126 21-2980
<b>Ελλάδα</b> www.blackanddecker.gr greece.service@sbdinc.com	Stanley Black & Decker (ΕΛΛΑΣ) Ε.Π.Ε ΓΡΑΦΕΙΑ: Σπύριδωνος 7 & Βουλιαγμένης 166 74 Γλυφάδα - Αθήνα	Τηλ. 210-8981616 Φαξ 210-8983570
<b>SERVICE:</b>	Ημερος Τόπος 2 -Χάνι Αδάμ 193 00 Ασπρόπυργος - Αθήνα	Τηλ. Service 210-8985208 Φαξ 210-5597598
<b>España</b> www.blackanddecker.es respuesta.posventa@sbdinc.com	Stanley Black & Decker Ibérica, S.C.A. Parc de Negocis "Mas Blau" Edificio Muntadas, c/Bergadà, 1, Of. A6 08820 El Prat de Llobregat (Barcelona)	Tel. 934 797 400 Fax 934 797 419
<b>France</b> www.blackanddecker.fr	Black & Decker (France) S.A.S. 5 allée des Hêtres B.P. 30084 69579 Limonest Cédex	Tel. 04 72 20 39 20 Fax 04 72 20 39 00
<b>Helvetia</b> www.blackanddecker.ch service@rofoag.ch	ROFO AG Gewerbezone Seeblick 3213 Kleinbösingen	Tel. 026-6749393 Fax 026-6749394
<b>Italia</b> www.blackanddecker.it service.italia@sbdinc.com	Stanley Black & Decker Italia Via Energypark 6 20871 Vimercate (MB)	Tel. 039-9590200 Fax 039-9590313 Numero verde 800-213935
<b>Nederland</b> www.blackanddecker.nl enduser.nl@sbdinc.com	Stanley Black & Decker Netherlands BV Holtum Noordweg 35, 6121 RE BORN Postbus 83, 6120 AB BORN	Tel. +31 164 283 065 Fax +31 164 283 200
<b>Norge</b>	Black & Decker Postboks 4613, Nydalen 0405 Oslo	kundeservice.no@sbdinc.com www.blackanddecker.no
<b>Österreich</b> www.blackanddecker.at service.austria@sbdinc.com	Stanley Black & Decker Austria GmbH Oberlaaerstraße 248, A-1230 Wien	Tel. 01 66116-0 Fax 01 66116-614
<b>Portugal</b> www.blackanddecker.pt resposta.posvenda@sbdinc.com	Black & Decker Limited SARL Quinta da Fonte - Edifício Q55 D. Diniz Rua dos Malhões, 2 e 2A - Piso 2 Esquerdo 2770 - 071 Paço de Arcos	Tel. 214667500 Fax 214667580
<b>Suomi</b>	Black & Decker PL47 00521, Helsinki	asiakaspalvelu.fi@sbdinc.com www.blackanddecker.fi
<b>Sverige</b>	Black & Decker AB Box 94, 431 22 Molndal	kundservice.se@sbdinc.com www.blackanddecker.se
<b>Türkiye</b> www.blackanddecker.com.tr	KALE Hirdavat ve Makina A.Ş. Deftardar Mah. Savaklar Cad. No:15 Edimekapı / Eyüp / İstanbul 34050	Tel. 0212 533 52 55 Fax. 0212 533 10 05
<b>United Kingdom &amp; Republic Of Ireland</b> www.blackanddecker.co.uk emeaservice@sbdinc.com	Black & Decker 210 Bath Road Slough, Berkshire SL1 3YD	Tel. 01753 511234 Fax 01753 512365
<b>Middle East &amp; Africa</b> www.blackanddecker.ae service.mea@sbdinc.com	Black & Decker P.O.Box - 17164 Jebel Ali Free Zone (South), Dubai, UAE	Tel. +971 4 8863030 Fax +971 4 8863333