



PHONES

0 (800) 800 130  
(050) 462 0 130  
(063) 462 0 130  
(067) 462 0 130

130  
COM.UA

Internet store of  
autogoods



SKYPE

km-130

CAR RECEIVERS — Receivers • Media receivers and stations • Native receivers • CD/DVD changers • FM-modulators/USB adapters • Flash memory • Facia plates and adapters • Antennas • Accessories |  
CAR AUDIO — Car audio speakers • Amplifiers • Subwoofers • Processors • Crossovers • Headphones • Accessories | TRIP COMPUTERS — Universal computers • Model computers • Accessories |  
GPS NAVIGATORS — Portable GPS • Built-in GPS • GPS modules • GPS trackers • Antennas for GPS navigators • Accessories | VIDEO — DVR • TV sets and monitors • Car TV tuners • Cameras • Videomodules  
• Transcoders • Car TV antennas • Accessories | SECURITY SYSTEMS — Car alarms • Bike alarms • Mechanical blockers • Immobilizers • Sensors • Accessories | OPTIC AND LIGHT — Xenon • Bixenon • Lamps  
• LED • Stroboscopes • Optic and Headlights • Washers • Light, rain sensors • Accessories | PARKTRONICS AND MIRRORS — Rear parktronic • Front parktronic • Combined parktronic • Rear-view mirrors  
• Accessories | HEATING AND COOLING — Seat heaters • Mirrors heaters • Screen-wipers heaters • Engine heaters • Auto-refrigerators • Air conditioning units • Accessories | TUNING — Vibro-isolation  
• Noise-isolation • Tint films • Accessories | ACCESSORIES — Radar-detectors • Handsfree, Bluetooth • Windowlifters • Compressors • Beeps, loudspeakers • Measuring instruments • Cleaners • Carsits  
• Miscellaneous | MOUNTING — Installation kits • Upholstery • Grilles • Tubes • Cable and wire • Tools • Miscellaneous | POWER — Batteries • Converters • Start-charging equipment • Capacitors  
• Accessories | MARINE AUDIO AND ELECTRONICS — Marine receivers • Marine audio speakers • Marine subwoofers • Marine amplifiers • Accessories | CAR CARE PRODUCTS — Additives • Washer fluid •  
Care accessories • Car polish • Flavors • Adhesives and sealants | LIQUID AND OIL — Motor oil • Transmission oil • Brake fluid • Antifreeze • Technical lubricant



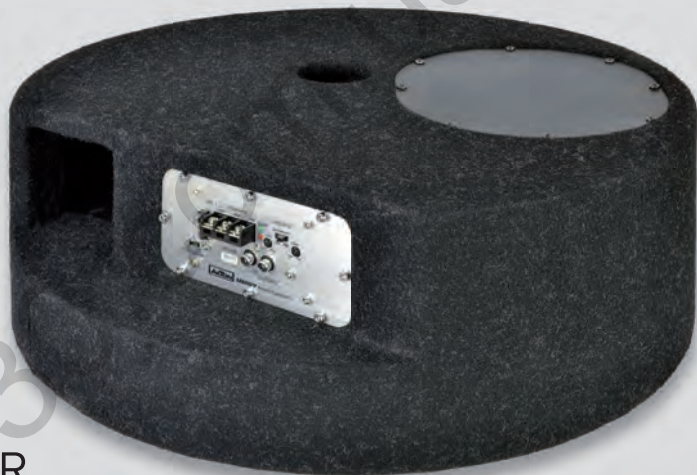
In store "130" you can find and buy almost all necessary goods for your auto in Kyiv and other cities, delivery by ground and postal services. Our experienced consultants will provide you with exhaustive information and help you to chose the very particular thing. We are waiting for you at the address

<https://130.com.ua>



CAR AUDIO SYSTEMS

AXB20STP



8"/20 CM  
ACTIVE  
SUBWOOFER

**EV** EVOLUTION  
SERIES



OWNER'S MANUAL/BEDIENUNGSANLEITUNG

Dear Customer

Thank you and congratulations on your purchase of the AXTON AXB20STP. This active subwoofer system exclusively uses very high quality parts and components. As with all high-quality car audio components, professional installation is highly recommended. If you plan on installing this active subwoofer by yourself, please read the following installation guide carefully, before you attempt the installation. You should retain this manual, the packing and the purchasing receipt for future reference. For any further additional information about mounting, connecting or adjusting this subwoofer system, please contact your AXTON dealer.

## UNPACKING THE SYSTEM

Carefully remove all parts from the giftbox and check whether they are in good undamaged condition, and match with the set contents listed below:

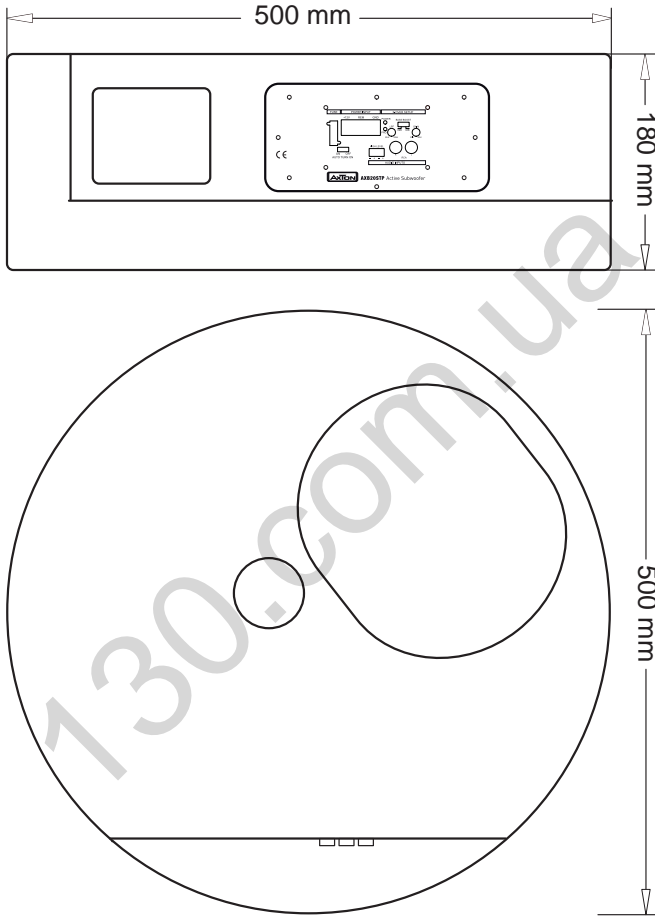
- AXB20STP active subwoofer
- High level input plug
- Owner's manual

Please contact your authorized AXTON dealer, if the content of this set is incomplete, or parts of it show signs of transport damage.

## SPECIFICATIONS

- 8" / 20 cm active trunk box subwoofer
- Frequency response: 25 – 100 Hz
- 90 W rms x 1 @ 4 ohms (< 1.0 % THD / 14.4V)
- 110 W max. x 1 @ 4 ohms (< 10 % THD / 14.4V)
- Variable lowpass filter: 50 – 150Hz / 12 dB/oct.
- Switchable Bass-Boost: 0 dB / 6 dB
- RCA, adjustable input sensitivity: 165 mV – 5 V
- High-Level, adjustable input sensitivity: 1.0 V – 10 V
- Signal to noise ratio: > 90 dB
- Dimensions DxH: 500 x 180 mm
- Net Weight: 10.5 kg

# DIMENSIONS





## SAFETY INSTRUCTIONS

1. This unit is designed to be used in a vehicle with a 12V battery and negative ground.
2. Before any wiring, always remove the negative terminal of the battery to prevent short-circuiting. This is also the last lead to be (re-)connected.
3. Do not disassemble or alter the unit in any way, because that will void your warranty. Do not attempt to repair or to service the unit yourself, but contact an authorized AXTON dealer instead.
4. Use only original accessories which are designed and manufactured for the unit, otherwise you will risk damage. Install the unit according to the mounting manual and use only the supplied mounting accessories. The forces of acceleration for accidents are sometimes huge. Heavy objects may pose a risk for the driver and the passengers of the car, during an accident.
5. Protect the unit from water and other liquids, which can enter the casing. A short circuit or even fire could be the result.
6. Before you replace a defective fuse, try to find the cause for the short circuit. Please pay attention to the cables of the power supply! If the short circuit doesn't result from a failure of the power supply or wiring, you can replace the defective fuse with a new one of identical value. If the short-circuit still exists, please contact an authorized AXTON dealer.
7. Be careful not to drain the car battery while using the unit when the car engine is turned off. Because the unit uses a considerable amount of energy and the battery will be charged only while the engine is running, it might happen that the battery will discharge to a point where it's not longer possible to start the engine.
8. If your car is parked in direct sunlight and there is a considerable rise in temperature inside the car, allow the unit to cool off before operation.
9. The amplifier module employs a protection circuit to protect the transistors and the woofer if the amplifier malfunctions. The amplifier's protection circuitry will shut-off the amplifier in case of short-circuit, overload or DC offset at the speaker outputs or in case of overheat. In case the cause for protection shut-off has been eliminated, the amplifier will operate normally again (green LED ON/ Red LED OFF). Otherwise the amplifier will continue to remain in protection mode.
10. Do not use the unit with a weak or old battery as its optimum performance depends on a normal battery supply voltage.
11. Please pay attention to the music playback volume inside your vehicle, because you are obliged to notice exterior sounds like a police siren or you might face penalties in case of an accident or even lose your insurance cover.
12. Do not operate the unit in any other way than described in this manual. Failure to follow the instructions within this manual will void your warranty.

## WIRING & INTERFERENCE

- **All advice on wiring, controls and adjustments is based on the assumption that you are thoroughly acquainted with all the requirements and features of the entire audio equipment – especially the head-unit – connected to this powered subwoofer!**

All cables are sources of interference. The power cable and RCA audio cable are very prone to interference; the remote cable far less. There is often interference caused by the alternator (buzzing or whining), ignition (crackling) or other car electronics parts. Most of these problems can be eliminated by correct and careful wire routing. In doing so, read the following guidelines first:

- Use only a double-shielded RCA interconnects for the wiring between RCA input of the amplifier and line-outs of the head unit.
- Lay the signal and power cables separately with enough distance from one another and also from each other wire harness in the car. The REM cable to the automatic amp remote output of the radio can be laid together with the signal cables. Avoid ground loops by laying the ground wiring of all components to a center point in a star-like way.
- You can find the best central point in measuring the voltage directly at the battery. Now compare this voltage value with the chosen ground point and the (+) terminal of the amplifier. If the measured voltage offers less than 0.1 V difference you've found the correct central, which should be clean and uncorroded. Otherwise you have to look for another point. You should measure with the ignition being switched on and additionally switched on other electronics (rear window heating and lights). If there is noise pickup from external electrical sources try to route the RCA interconnect with a different path to the active sub.



## MOUNTING & CONNECTIONS



**Add a main fuse holder with appropriate fuse volume to the (+) power cable in a distance of not more than 30 cm from the positive battery pole.**

- Note that the amp-module generates heat, so a well ventilated mounting place is necessary or it will easily overheat.
- Keep the wire connections as short as possible, with sufficient length, in order to minimize power losses and provide a higher audio output of the system.
- To minimize damage to the cables, take care that they do not pass through sharp edged metal. Use rubber grommets were required.
- Lay all cables as far away as possible from the ignition cables, modules in the boot and under the dashboard, as these create interference.
- Keep the length of the power cable as short as possible.
- The power cable should have at least a cable cross section of 10mm<sup>2</sup> (8 Gauge AWG). Smaller cross sections are reducing the output power, are causing distortions and may be triggering the overheat protection of the amp-module.

## WIRING & CONNECTIONS



### IMPORTANT:

**Before any wiring, always remove the negative terminal of the battery to prevent short-circuiting. This is also the last lead to be (re-)connected.**

Connect this lead only after having completed and checked all other connections. The battery terminal (+12V) must be connected directly to the positive terminal of the vehicle battery to provide an adequate voltage source and minimize noise. Connect it to the terminal of the battery after all other wiring is completed.

### GROUND CONNECTION

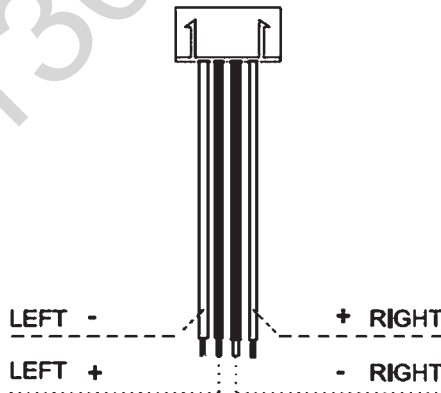
The ground terminal (GND) connection is also critical to the correct operation of the amplifier. **Use a wire of the same gauge as the +12V cable** and connect it between the ground terminal (GND) of the amplifier and a metal part of the vehicle close to the mounting location. This wire should be as short as possible and any paint or rust at the grounding point should be scraped away to provide a clean metal surface to which the end of the ground wire can be screwed or bolted.

### REMOTE TURN-ON CONNECTION

The amplifier is turned on by applying +12V to the remote turn-on terminal (REM). The wire lead to this terminal should be connected to the „Amp remote“ lead from the car stereo which will provide the +12V only when the car stereo is turned on.

### INPUT CONNECTIONS

This amplifier features both high level and low-level (RCA) input capability. Use either the low-level or high-level inputs, not both. If the car stereo does not provide low-level outputs, the amplifier may be connected via the speaker (high-level) outputs from the car stereo. Wire the speaker leads from the car stereo to the 4-pin adaptor harness as shown in the diagram (shielded cables are not required for this application) and plug the connector into the high input connector on the amplifier.

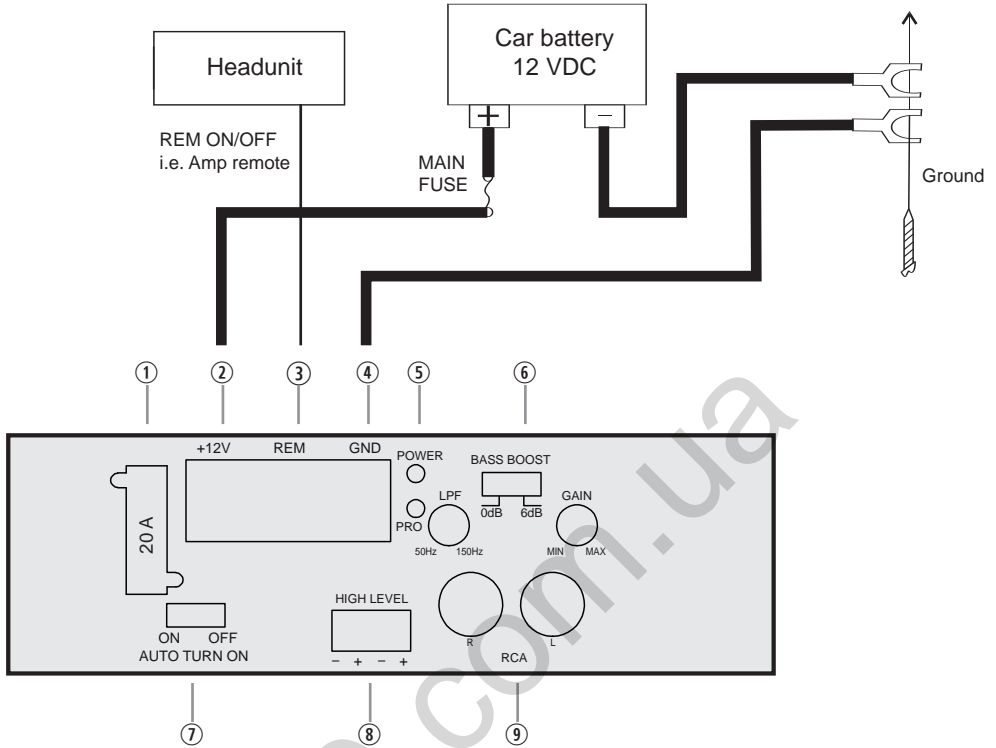


### Note:

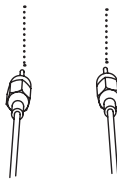
**When using the high-level input of your OE factory radio that features no dedicated REM signal, select "Auto turn-on" ON.**



## WIRING DIAGRAM



- ① Fuse (20A)
- ② +12V Power Terminal
- ③ REM (Amp Remote) Terminal
- ④ GND Power Terminal
- ⑤ Power/Protect Status LED
- ⑥ Switchable Bass-Boost 0 – 6 dB
- ⑦ Auto Turn-On/Off for High Level Input
- ⑧ High Level Input
- ⑨ RCA Input



R+L from Low Level Audio Out of the headunit.  
Use a Y Adapter if you want to directly connect to a mono subwoofer output.



### DANGER:

Use the specified amperage fuse only.  
Higher amperage may cause serious damage or even a fire.

## ADJUSTMENTS

Turn-on your head-unit keeping your volume at the lowest setting. The green status LED on the front of the AXB20STP amp-module should light up now. If not, turn-off your head-unit and re-check all wiring to and from the amplifier for missing or faulty connections.

### PROTECTION INDICATOR

This active subwoofer is equipped with an overload protection. In case of internal short circuit or increased temperature, the overload protection is activated, and the red LED indicator comes on. Through this the amplifier is protected against damage. In case of the thermal protection a certain cooling time must be allowed after which the amp-module will resume operation.

### LOWPASS CROSSOVER FREQUENCY ADJUSTMENT

The lowpass cut-off frequency setting, marked as „LPF“ on the active subwoofer, depends on the dimension of the vehicle and the mounting location. As a rule of thumb, settings in a range between 80 to 100 Hz will render best sonic results. For an intermediate lowpass crossover setting to attempt input gain and phase-shift control adjustments, go for a VR-pot set to approx. 80 Hz – and after input gain has been adjusted, it is advisable to fine tune the lowpass crossover frequency for best possible sound quality.

**Note:** In general, setting the lowpass crossover frequency too low, will result in a weak and muddy sounding bass, while setting this crossover frequency too high will result in a ‘booming’ bass sound and reduced low end extension.

### INPUT GAIN

The input level control allows the AXB20STP to be matched to almost any car, to work well within a wide range of output levels. The following procedure can be applied: Turn on the head unit and adjust the volume level to an elevated but still sane output. Now using a screwdriver, increase the GAIN potentiometer by turning it clockwise (on the AXB20STP side panel) until the bass content is perceived as sufficient and balanced.

### BASS BOOST

The bass boost slide switch with positions „0 dB“ or “6dB” has to be played by ear. With the slide switch set to “0 dB”, the bass boost is deactivated, with position “6 dB”, the frequencies around 40 Hz are boosted – which will improve the low end extension in smaller compact type cars. Note that with bass boost enabled, the subwoofer will have less max. dB headroom since the very low frequencies are amplified with a higher gain and thus, woofer and amp module reach their respective limits earlier.

Sehr geehrter Kunde

Vielen Dank für das Vertrauen, das Sie uns mit dem Kauf dieses AXTON-Qualitätsprodukts entgegengebracht haben. Der AXTON Aktiv-Subwoofer wurde speziell für den Einsatz in mobilen Soundsystemen mit einer 12-Volt-Stromversorgung (mit negativer Chassis Masse) entwickelt.

Damit Sie sich mit den technischen Eigenschaften und klanglichen Feinheiten Ihres Aktiv-Subwoofers vertraut machen können, empfehlen wir Ihnen, diese Einbau- und Bedienungsanleitung vor der Installation sorgfältig durchzulesen. Sollten beim Einbau oder bei den Einstellungen dennoch zusätzliche Fragen oder Probleme auftauchen, wenden Sie sich bitte an Ihren AXTON Fachhändler.

## VERPACKUNGSGEHALT

Nach dem Auspacken empfehlen wir eine Überprüfung von Anzahl und Zustand des Packungsinhalts:

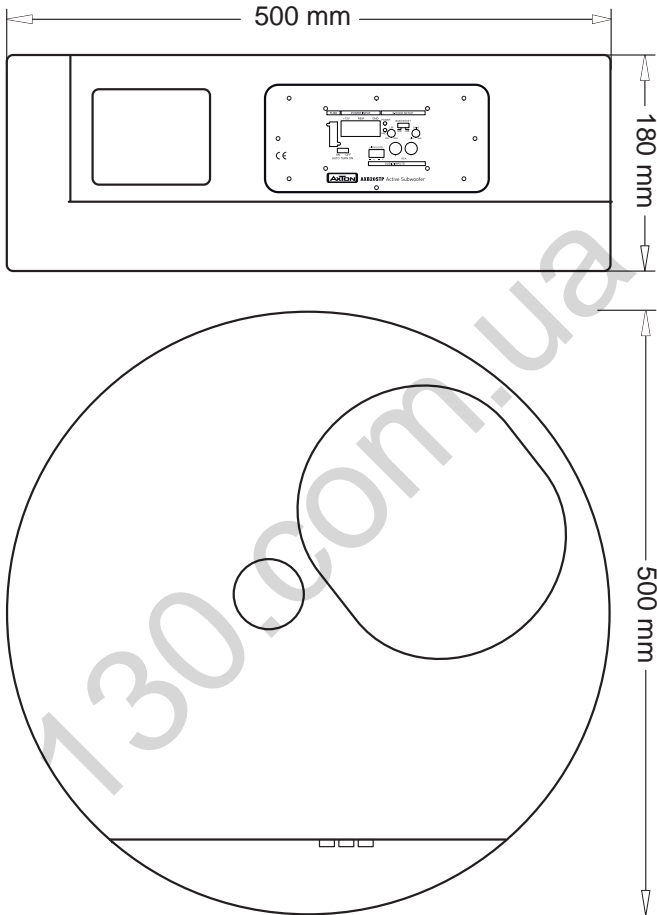
- AXB20STP Aktiv Subwoofer
- High Level Adapter
- Bedienungsanleitung

Kontaktieren Sie Ihren AXTON Fachhändler, falls der Packungsinhalt beschädigt oder unvollständig sein sollte. Benutzen Sie das Gerät nur wie in der Anleitung beschrieben, da Sie sonst die Garantie verlieren.

## TECHNISCHE DATEN

- 20 cm Aktivsubwoofer
- Wiedergabefrequenzgang: 25 – 100 Hz
- 90 W rms x 1 @ 4 Ohm (< 1.0 % THD / 14.4V)
- 110 W max. x 1 @ 4 Ohm (< 10 % THD / 14.4V)
- Variables Tiefpassfilter: 50 – 150Hz / 12 dB/Okt.
- Schaltbarer Bass-Boost: 0 dB / 6 dB
- Eingangsempfindlichkeit Cinch: 165 mV – 5 V
- Eingangsempfindlichkeit High-Level: 1.0 – 10 V
- Signal-Rauschabstand: > 90 dB
- Abmessungen DxH: 500 x 180 mm
- Nettogewicht: 10.5 kg

# ABMESSUNGEN





## ZU IHRER SICHERHEIT

1. **Wichtig: Um Kurzschlüssen vorzubeugen, sollten Sie vor sämtlichen Installations- oder Verdrahtungsarbeiten immer den Minus(-) Pol der Batterie von der Stromversorgung des Fahrzeugs abtrennen.** Machen Sie sich zur Regel: Erst nach Beendigung aller anderen Installationsschritte wird die Verbindung zwischen dem -12V-Anschluss der Batterie und dem Bordstromnetz wiederhergestellt.
2. Dieses Gerät ist nur für den Betrieb an einem Bordnetz mit 12V (DC) und Minus gegen Masse geeignet.
3. Zerlegen oder modifizieren Sie das Gerät nicht. Dies kann zu einer Beschädigung des Gerätes führen und Ihr Garantieanspruch erlischt dadurch.
4. Benutzen Sie nur das Originalzubehör um das Gerät zu installieren und zu betreiben, da ansonsten eine Beschädigung des Gerätes riskiert wird. Die bei Unfällen auftretenden Beschleunigungskräfte sind teilweise enorm. Unsachgemäß montierte Geräte stellen bei Unfällen ein großes Risiko für die Insassen des Fahrzeuges dar.
5. Schützen Sie das Gerät vor Wasser oder anderen Flüssigkeiten, die ins Innere des Gerätes eindringen können. Ein Kurzschluss mit Brandfolge könnte daraus resultieren.
6. Bevor Sie eine defekte Sicherung austauschen, sollten Sie erst einmal überprüfen was der Grund für den Kurzschluss war. Achten Sie dabei besonders auf die Kabel der Stromversorgung! Wenn der Kurzschluss nicht durch einen Fehler in der Spannungsversorgung resultiert, müssen Sie die defekte Sicherung gegen ein neues Exemplar mit identischen Werten austauschen. Sollte der Kurzschluss immer noch auftreten, wenden Sie sich bitte an Ihren AXTON Fachhändler.
7. Achten Sie darauf, dass bei ausgeschaltetem Motor die Batterie des Fahrzeuges nicht entladen wird. Da es sich bei dem Gerät um einen Verbraucher handelt und die Batterie nur bei laufendem Motor aufgeladen wird, kann es passieren, dass die Batterie entladen wird und das Fahrzeug sich nicht mehr starten lässt.
8. Achten Sie bei der Installation des Gerätes darauf, dass es nicht dem direkten Sonnenlicht ausgesetzt ist. Bei sehr hohen Innenraumtemperaturen des Fahrzeuges im Sommer, lassen Sie den Innenraum vor Inbetriebnahme des Gerätes erst etwas auskühlen.
9. Der Verstärker verfügt über eine spezielle Schaltung, die das Amp-Modul und den Woofer bei Fehlfunktionen schützt. Der Schutzschaltkreis schaltet den Verstärker, bei Kurzschluss, Überlast oder Gleichspannungsüberlagerung an den Lautsprecherausgängen, sowie bei Überhitzung ab. Die rote LED ist dann an. Wenn die Fehlerursache beseitigt ist, schaltet das Amp-Modul selbsttätig wieder an (LED leuchtet grün).
10. Muten Sie Ihrem Gerät keine alte Autobatterie zu, denn es ist auf eine korrekte Versorgungsspannung ausgelegt.
11. Achten Sie darauf, dass die Lautstärke in Ihrem Fahrzeug nur so hoch ist, so dass Sie Außengeräusche wie z.B. eine Polizeisirene noch klar wahrnehmen können. Beachten Sie unbedingt die geltenden Vorschriften in Ihrem Land, da sonst evtl. Regressansprüche durch Grobfahrlässigkeit geltend gemacht werden können.
12. Das Gerät darf nicht anders betrieben werden wie in dieser Bedienungsanleitung beschrieben. Nichtbeachtung der Anweisungen dieser Bedienungsanleitung kann einen Garantieverlust nach sich ziehen.

- **Alle Hinweise in diesem Kapitel richten sich an eine im Bereich Car-Audio fachkundige Person.**

Jegliche Verkabelung in einem Fahrzeug kann Störungen bei nachträglich installierten Audio Komponenten verursachen. Insbesondere Stromversorgungskabel, sowie Audiokabel mit Cinch Steckern sind davon betroffen. Als Störungsursachen treten oft die Lichtmaschine (Pfeifen) und die Zündung (Knistern) in Erscheinung. Die meisten dieser Probleme bekommt man mit einer sorgfältigen und vor allen Dingen korrekten Verkabelung perfekt in den Griff. Wir möchten Sie, mit den folgenden Hinweisen, dazu in die Lage versetzen:

- Benutzen Sie ausschließlich doppelt oder dreifach abgeschirmte Audio Kabel um die Ausgänge Ihres Steuergerätes (i.e. Autoradio, CD/DVD Player, etc.) mit den Verstärkereingängen zu verbinden.
- Verlegen Sie die Signal- und die Stromversorgungskabel möglichst weit voneinander und achten Sie dabei auch auf ausreichenden Abstand von der ab Werk vorhandenen Verkabelung des Fahrzeuges. Das Fernsteuerungs- bzw. Remotekabel kann dagegen, ohne Störungen zu verursachen, entlang der Signalkabel verlegt werden. Vermeiden Sie Masseschleifen indem Sie die Masse an einem zentralen Punkt, also praktisch sternförmig zu den Verbrauchern, abgreifen.
- Um den besten Massepunkt zu finden, empfehlen wir folgende Vorgehensweise:
  - Messen Sie zuerst die Versorgungsspannung direkt an den Batteriepolen.
  - Nun vergleichen Sie diese Spannung mit jener eines potentiellen Massepunktes gegen den Pluspol des Verstärkers.
  - Bei einer Spannungsdifferenz von weniger als 0,1 V haben Sie einen geeigneten Massepunkt gefunden. Der Massepunkt sollte sauber und rostfrei sein.
  - Nehmen Sie die Messungen bei eingeschalteter Zündung und einigen aktiven Verbrauchern vor (z.B. Beleuchtung, Heckscheibenheizung, etc.).

## MONTAGE & ANSCHLUSS



### **Installieren Sie eine Hauptsicherung in max. 30 cm Entfernung vom positiven Batteriepol in das Stromversorgungskabel.**

- Montieren Sie das Gerät an einem geschützten, jedoch möglichst gut belüfteten Platz. Bedenken Sie das das Verstärkermodul erhebliche Abwärme produziert, die zur Vermeidung von Überhitzungen auch abgeführt werden muss.
- Halten Sie Leitungslängen so kurz wie gerade nötig, um unnötige Leistungsverluste, sowie Störeinstrahlungen zu vermeiden.
- Aus Sicherheitsgründen verlegen Sie sowohl die Stromversorgungs- als auch die Lautsprecherkabel durch die vorhandenen Kabelkanäle.
- Achten Sie darauf Kabel nicht um scharfe (Metall-) Kanten herum zu verlegen, denn sie könnten leicht beschädigt werden und einen Kurzschluss verursachen. Benutzen Sie, falls nötig, Gummitüllen.
- Halten Sie die Kabel, zur Vermeidung von Interferenzen, fern von Zündkabeln und von Elektronikmodulen unter dem Armaturenbrett bzw. im Kofferraum.
- Halten Sie insbesondere das Stromversorgungskabel so kurz wie möglich.
- Das Stromversorgungskabel sollte mind. eine Kabelquerschnittsfläche von 10mm<sup>2</sup> aufweisen. Geringere Querschnitte führen zu Leistungsverlusten, Störungen und können die Schutzschaltung zum Ansprechen bringen.



## MONTAGE & ANSCHLUSS

**!** **Wichtig: Vor jeglichen Verdrahtungsarbeit lösen Sie immer den negativen Pol der Batterie um Kurzschlüsse, durch Unterbrechung der Masseverbindung, zu verhindern. Verbinden Sie den negativen Batteriepol erst, wenn Sie alle anderen Verbindungen vorgenommen und überprüft haben.**

Die Spannungsversorgung (+12 V) wird immer direkt am positiven Batteriepol abgegriffen. Jeder +12 V Spannungsabgriff an einer anderen Stelle, wie z.B. dem Sicherungskasten, wird einen Leistungsabfall und höchstwahrscheinlich Störungen hervorrufen.

### MASSEVERBINDUNG

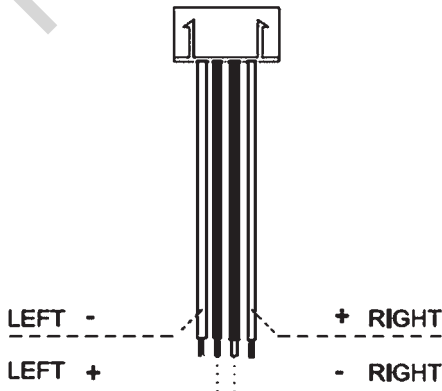
Die Masseverbindung ist einer der wichtigsten und leistungsbestimmenden Faktoren für die Funktion des Verstärkers. Benutzen Sie ein Kabel des gleichen Querschnitts wie der des Pluskabels und ziehen es vom GND- (Ground-Masse) Anschluss des Verstärkers zu einem geeigneten Karroseriepunkt in der Nähe. Dieses Kabel sollte so kurz wie möglich sein und an einem blanken, gereinigten Massepunkt angeschlossen werden.

### AMP REMOTE

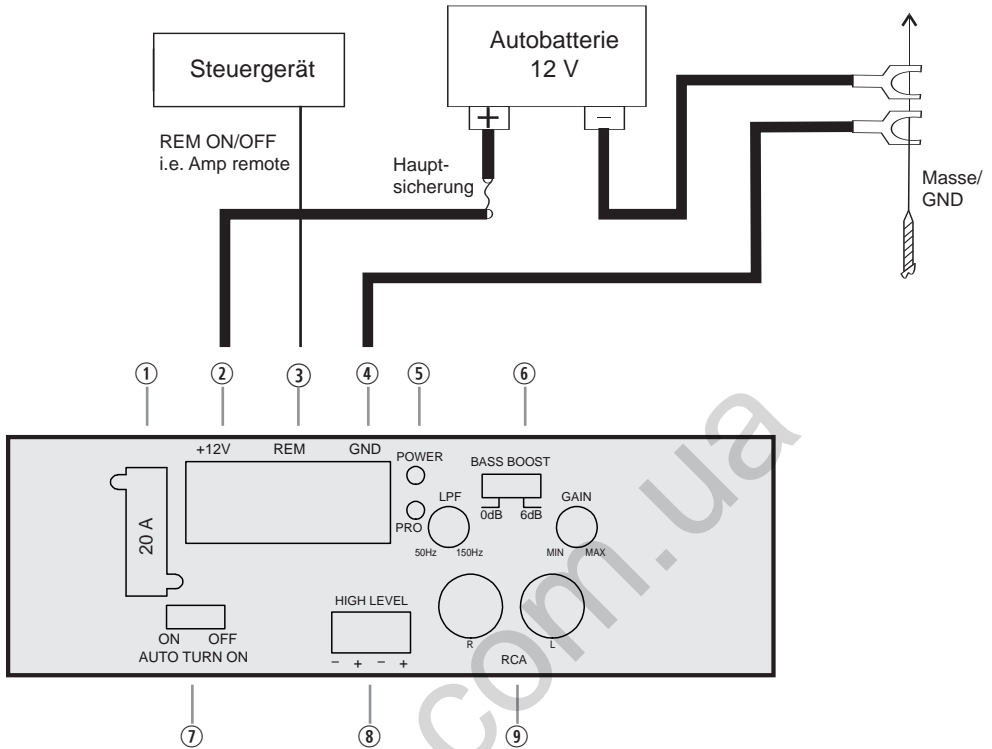
Der Verstärker wird über ein +12 V Signal auf dem REM Eingang eingeschaltet. Holen Sie dieses Signal vom „Amp remote“ Ausgang Ihres Steuergerätes, um sicherzustellen, daß die +12 V nur anliegen, wenn auch die restlichen Audio Komponenten eingeschaltet sind.

### EINGÄNGE

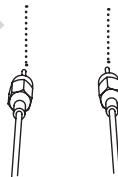
Dieser Verstärker kann sowohl über ein Cinchsignal, als auch über einen Lautsprecher Abgriff (High Level Input) angesteuert werden. Benutzen Sie ausschließlich eine der Anschlussarten, nicht beide zusammen. Schliessen Sie den Verstärker lediglich an die Lautsprecherausgänge an, wenn Ihre Anlage keinen Cinchanschluss (z.B. Line Out) besitzt. Für die High Level Ansteuerung benötigen Sie kein abgeschirmtes Kabel. Schliessen Sie die Ausgänge an die 4 Drähte des beiliegenden Steckers, nach untenstehendem Schema, an und stecken ihn in die entsprechende Buchse am Aktivsubwoofer Amp-Panel.



# ANSCHLUSSPLAN



- ① Sicherung (20A)
- ② +12V Stromterminal
- ③ REM (Verstärker Remote) Terminal
- ④ GND (Masse) Stromterminal
- ⑤ Power/Protect Status LED
- ⑥ Schaltbarer Bass-Boost 0 – 6 dB
- ⑦ Auto Turn-On/Off für High Level Input
- ⑧ High Level Input
- ⑨ Cinch Eingänge



R+L des Line-Outs vom Steuergerät. Benutzen Sie einen Y-Adapter, falls Sie einen mono sub-out anschliessen wollen.



## VORSICHT:

Benutzen Sie ausschließlich die angegebenen Werte für die Sicherungen. Höhere Werte können schwere Schäden oder Fahrzeugbrände verursachen.

## EINSTELLUNGEN

Schalten Sie Ihr Steuergerät ein und begrenzen die Lautstärke auf ein geringes Niveau. Nun sollte die grüne LED am Frontpanel des Verstärkers aufleuchten. Falls das nicht der Fall ist, schalten Sie das Gerät sofort aus und überprüfen Sie Anschlüsse und Verkabelung.

### SCHUTZSCHALTUNG

Dieser Aktiv-Subwoofer ist mit einem schnell ansprechendem Überlastschutz ausgerüstet, der sofort bei einem auftretendem internen Kurzschluss oder einer Überhitzung aktiviert wird. Die rote LED leuchtet dann und zeigt „Protect“ an. Bevor Sie das Gerät wieder in Betrieb nehmen, ist es natürlich anzuraten, den Grund für die Abschaltung erkannt und beseitigt zu haben. Im Falle einer Überhitzung sollte man das Gerät natürlich auch etwas abkühlen lassen, das Gerät nimmt dann selbsttätig wieder den Betrieb auf.

### EINSTELLUNG TIEFPASS TRENNFREQUENZ

Die zu wählende Trennfrequenz des Tiefpasses (LPF) sollte je nach Fahrzeug und Montageort eingeregelt werden. Normalerweise liegt die akustisch ideale Trennfrequenz um die 80 bis 100 Hz. Stellen Sie den LPF Regler als Ausgangspunkt auf etwa 80 Hz, um dann die Einstellung der Eingangsempfindlichkeit und Anpassungen am Phase-Shift vorzunehmen. Erst ganz am Schluss erfolgt nochmals eine Feineinstellung der Tiefpass Trennfrequenz. Justieren Sie den „LPF“ Regler so, dass der Bass satt und trocken mit genügend Tiefbassanteil wiedergegeben wird. Diese Einstellung erfolgt – genau wie die nachfolgend beschriebenen Eingangsempfindlichkeitseinstellungen – rein gehörmässig.

### EINGANGSEMPFINDLICHKEIT

Die Anpassung der Eingangsempfindlichkeit der AXB20STP ermöglicht eine Angleichung der Lautstärke und des Dynamikspielraumes an vorhandene Audiosysteme im Fahrzeug. Die Einstellung der Eingangsempfindlichkeit garantiert ein möglichst tiefes Grundrauschen und minimiert auch die Verzerrungen, die bei einer Fehlanpassung den Klangerlebnis trüben können.

Für beste Resultate ist folgende Vorgehensweise zu empfehlen:

Erhöhen Sie die Wiedergabelautstärke Ihrer Audio/Werksanlage über den VOL-Drehknopf am Steuergerät auf einen mittleren Pegel. Drehen Sie das GAIN Potentiometer am Side-Panel der AXB20STP langsam auf, bis ein ausgewogener Klangeindruck mit gutem Bassanteil entsteht.

### BASS-BOOST

Der „Bass-Boost“ Schieberegler mit den Positionen 0 dB oder 6 dB muss per Gehör eingestellt werden. Mit dem Schiebeschalter in Position „0 dB“ ist die Bassanhebung deaktiviert, mit dem Schalter in Position „6 dB“ werden Frequenzbereiche um 40 Hz angehoben – und verbessern dadurch die Tiefbasswiedergabe in kleineren Kompaktklasse Fahrzeugen. Beachten Sie, dass die maximal mögliche Wiedergabelautstärke im Bassbereich mit aktiviertem Bass-Boost geringer ausfällt, da die starke Anhebung des tiefsten Frequenzbereiches sowohl den Basslautsprecher als auch den Verstärker früher an die jeweiligen Grenzen bringt.

## WARRANTY CONDITIONS

AXTON warrants this active subwoofer to be free of defects in materials and workmanship for two years from the date of purchase at retail, contingent upon being properly installed and approved by an authorized AXTON dealer, granted to the original purchaser. AXTON Inc. will at its own discretion, repair or replace defective units during the warranty period.

Should your AXTON product require warranty service, please return it to the retailer from whom it was purchased. Please do not send any product to AXTON. Should you have difficulty in finding an authorized AXTON service center, details are available from the national distributor in the country of purchase.

**Abuse** of this active subwoofer due to excessive amplifier power, improper installation modification, or physical damage is **not covered under warranty**.

## GARANTIE GEWÄHRLEISTUNG

AXTON gewährt dem Erstbesitzer auf dieses Produkt, bzw. seine Einzelteile eine Garantiezeit von 2 Jahren, gültig ab Kaufdatum im Fachhandel. Diese vollumfängliche Garantieleistung basiert auf korrekter Installation des Gerätes durch einen autorisierten AXTON Fachhändler. AXTON gewährleistet – Entscheidung durch Hersteller – Reparatur bzw. kostenlosen Ersatz von defekten Teilen und Baugruppen während der Garantiezeitspanne.

Im Falle eines Schadens bringen Sie den Aktivsubwoofer am besten zum autorisierten Fachhandelspartner, wo er gekauft wurde. Senden Sie dieses System auf keinen Fall direkt an die angegebene Adresse des Hauptsitzes, dies könnte große Verzögerungen bei der Garantieabwicklung zur Folge haben. Missbrauch oder elektrische Überlastung des Aktivsubwoofers in Form von überhöhter Leistungszufuhr, fehler- oder laienhafter Installation, oder auch Fremdeinwirkung durch Manipulation/Modifikation an den Einzelteilen fallen **nicht unter die Garantie-Gewährleistung!**

## WARRANTY CARD

### 20 cm / 8" Active Subwoofer

Model number: **AXB20STP**

Date of purchase: \_\_\_\_\_

Your name: \_\_\_\_\_

Your address: \_\_\_\_\_

City: \_\_\_\_\_

State: \_\_\_\_\_

ZIP or Postal Code: \_\_\_\_\_

Country: \_\_\_\_\_

Your Dealer:



- If at any time in the future you should need to dispose this product, please note that waste electrical products are not be disposed with the household waste. Please recycle where facilities exist. Check with your Local Authority or retailer for recycling advice (Waste Electrical and Electronic Equipment Directive).
- Sollten Sie dieses Gerät eines Tages entsorgen müssen, beachten Sie bitte dass elektrische Geräte nicht mit dem Haushaltsmüll entsorgt werden dürfen. Führen Sie das Gerät wenn möglich dem Recycling zu. Ihre lokalen Behörden oder Ihr Händler können Sie dementsprechend informieren (Richtlinie über die Entsorgung elektrischer und elektronischer Ausstattungen).



CAR AUDIO SYSTEMS