



PHONES

0 (800) 800 130  
(050) 462 0 130  
(063) 462 0 130  
(067) 462 0 130

130  
COM.UA

Internet store of  
autogoods



SKYPE

km-130

CAR RECEIVERS — Receivers • Media receivers and stations • Native receivers • CD/DVD changers • FM-modulators/USB adapters • Flash memory • Facia plates and adapters • Antennas • Accessories |  
 CAR AUDIO — Car audio speakers • Amplifiers • Subwoofers • Processors • Crossovers • Headphones • Accessories | TRIP COMPUTERS — Universal computers • Model computers • Accessories |  
 GPS NAVIGATORS — Portable GPS • Built-in GPS • GPS modules • GPS trackers • Antennas for GPS navigators • Accessories | VIDEO — DVR • TV sets and monitors • Car TV tuners • Cameras • Videomodules  
 • Transcoders • Car TV antennas • Accessories | SECURITY SYSTEMS — Car alarms • Bike alarms • Mechanical blockers • Immobilizers • Sensors • Accessories | OPTIC AND LIGHT — Xenon • Bixenon • Lamps  
 • LED • Stroboscopes • Optic and Headlights • Washers • Light, rain sensors • Accessories | PARKTRONICS AND MIRRORS — Rear parktronic • Front parktronic • Combined parktronic • Rear-view mirrors  
 • Accessories | HEATING AND COOLING — Seat heaters • Mirrors heaters • Screen-wipers heaters • Engine heaters • Auto-refrigerators • Air conditioning units • Accessories | TUNING — Vibro-isolation  
 • Noise-isolation • Tint films • Accessories | ACCESSORIES — Radar-detectors • Handsfree, Bluetooth • Windowlifters • Compressors • Beeps, loudspeakers • Measuring instruments • Cleaners • Car seats  
 • Miscellaneous | MOUNTING — Installation kits • Upholstery • Grilles • Tubes • Cable and wire • Tools • Miscellaneous | POWER — Batteries • Converters • Start-charging equipment • Capacitors  
 • Accessories | MARINE AUDIO AND ELECTRONICS — Marine receivers • Marine audio speakers • Marine subwoofers • Marine amplifiers • Accessories | CAR CARE PRODUCTS — Additives • Washer fluid •  
 Care accessories • Car polish • Flavors • Adhesives and sealants | LIQUID AND OIL — Motor oil • Transmission oil • Brake fluid • Antifreeze • Technical lubricant



In store "130" you can find and buy almost all necessary goods for your auto in Kyiv and other cities, delivery by ground and postal services. Our experienced consultants will provide you with exhaustive information and help you to chose the very particular thing. We are waiting for you at the address

<https://130.com.ua>

# S-S69C

COMPONENT 2-WAY SPEAKER SYSTEM

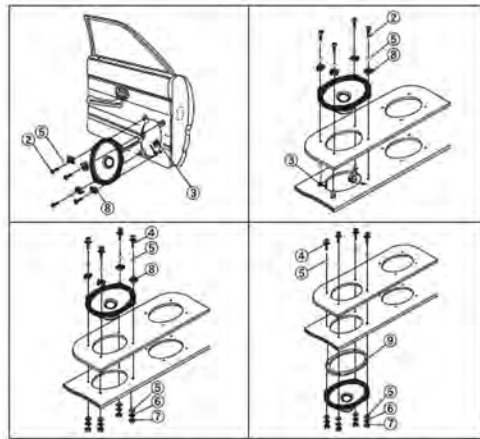
HAUT-PARLEURS 2 VOIES SEPARÉES

6"x9"(16cmx24cm)

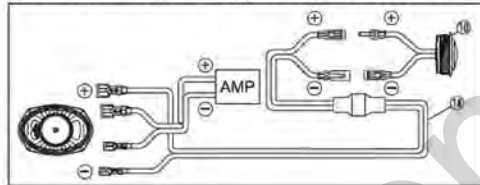
CONTENTS / CONTENU

<b>Woofer</b>	
1	Woofer × 2
2	4.4x.30mm Screw × 8
3	Woofer Gasket × 8
4	M4x.60mm Screw × 8
5	Woofer Nut × 16
6	Woofer Washer × 8
7	Woofer Washer × 8
8	Woofer Washer × 8
9	Woofer Washer × 2
<b>Tweeter</b>	
10	Tweeter × 2
11	Tweeter Gasket × 2
12	Tweeter Gasket × 2
13	Tweeter Gasket × 2
14	Tweeter Gasket × 2
15	Tweeter Gasket × 2
16	Tweeter Gasket × 2
17	Tweeter Gasket × 2
<b>Network</b>	
18	Network × 2

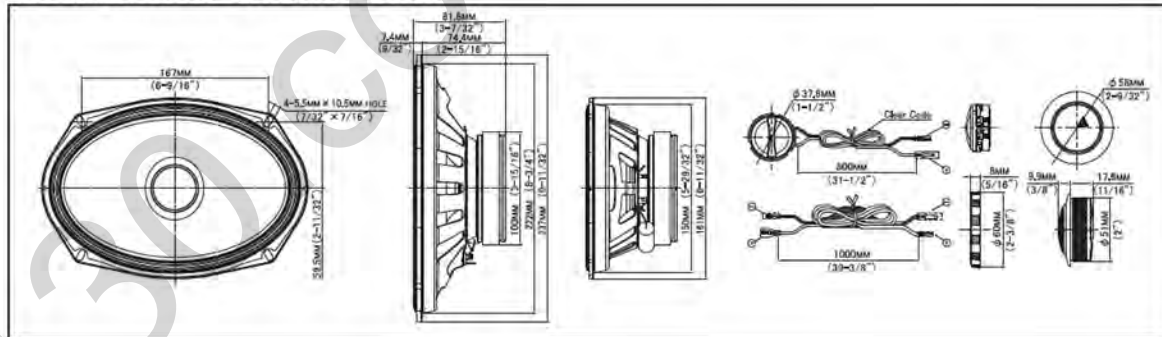
WOOFER INSTALLATION / INSTALLATION DU WOOFER



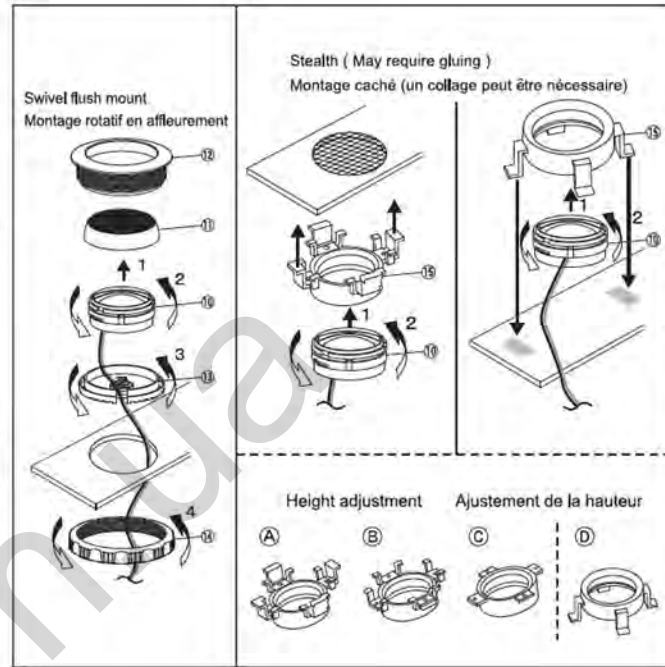
WIRING CONNECTION / CONNEXIONS DE CÂBLAGE



EXTERNAL DIMENSIONS / DIMENSIONS EXTERNES



TWEETER INSTALLATION / INSTALLATION DU TWEETER



## SPECIFICATIONS

- Units Type:
  - Woofer ..... 6" x 9" (16cm x 24cm) Cone
  - Tweeter ..... 1" (2.5cm) Dome
- Maximum Peak Power ..... 260 Watts
- Maximum RMS Power ..... 85 Watts
- Impedance ..... 4 ohms
- Sensitivity ..... 90 dB SPL (1W @ 1m)
- Frequency Response ..... 65 Hz to 22 kHz
- Mounting Depth/Drop-in Mounting ..... 2-15/16" (7.4cm)
- Cutout Diameter ..... 5-29/32" x 8-3/4" (15.0cm x 22.2cm) oval
- Recommended Amplification : up to 85 watts RMS. per channel
- Design and specifications are subject to change without notice

### [ Warning ]

This product contains a high performance tweeter. If there is a tweeter already installed in your car, then you must disconnect its terminals. If you leave the original tweeter connected and connect this product in parallel, then a fault may develop in this product, so you are strongly recommended not to do so.