



PHONES

0 (800) 800 130  
(050) 462 0 130  
(063) 462 0 130  
(067) 462 0 130

130  
COM.UA

Internet store of  
autogoods



SKYPE

km-130

CAR RECEIVERS — Receivers • Media receivers and stations • Native receivers • CD/DVD changers • FM-modulators/USB adapters • Flash memory • Facia plates and adapters • Antennas • Accessories |  
CAR AUDIO — Car audio speakers • Amplifiers • Subwoofers • Processors • Crossovers • Headphones • Accessories | TRIP COMPUTERS — Universal computers • Model computers • Accessories |  
GPS NAVIGATORS — Portable GPS • Built-in GPS • GPS modules • GPS trackers • Antennas for GPS navigators • Accessories | VIDEO — DVR • TV sets and monitors • Car TV tuners • Cameras • Videomodules  
• Transcoders • Car TV antennas • Accessories | SECURITY SYSTEMS — Car alarms • Bike alarms • Mechanical blockers • Immobilizers • Sensors • Accessories | OPTIC AND LIGHT — Xenon • Bixenon • Lamps  
• LED • Stroboscopes • Optic and Headlights • Washers • Light, rain sensors • Accessories | PARKTRONICS AND MIRRORS — Rear parktronic • Front parktronic • Combined parktronic • Rear-view mirrors  
• Accessories | HEATING AND COOLING — Seat heaters • Mirrors heaters • Screen-wipers heaters • Engine heaters • Auto-refrigerators • Air conditioning units • Accessories | TUNING — Vibro-isolation  
• Noise-isolation • Tint films • Accessories | ACCESSORIES — Radar-detectors • Handsfree, Bluetooth • Windowlifters • Compressors • Beeps, loudspeakers • Measuring instruments • Cleaners • Car seats  
• Miscellaneous | MOUNTING — Installation kits • Upholstery • Grilles • Tubes • Cable and wire • Tools • Miscellaneous | POWER — Batteries • Converters • Start-charging equipment • Capacitors  
• Accessories | MARINE AUDIO AND ELECTRONICS — Marine receivers • Marine audio speakers • Marine subwoofers • Marine amplifiers • Accessories | CAR CARE PRODUCTS — Additives • Washer fluid •  
Care accessories • Car polish • Flavors • Adhesives and sealants | LIQUID AND OIL — Motor oil • Transmission oil • Brake fluid • Antifreeze • Technical lubricant



In store "130" you can find and buy almost all necessary goods for your auto in Kyiv and other cities, delivery by ground and postal services. Our experienced consultants will provide you with exhaustive information and help you to chose the very particular thing. We are waiting for you at the address

<https://130.com.ua>

**High Amplitude Multi-Roll (HAMR) Surround**  
(US Pat #8,208,677)

**Reinforced Parabolic Cone Structure with Pulp/Kevlar Cone & PP/Mica/Talc Dust cap**

**Concealed Mount Gasket**  
(Integrated Grille System Ready, US Pat #7,760,900)

**Airflow Management & Heat Transfer System**  
(US Pat #7,684,585; #6,678,387)

**Compound Radius Curve Extended Pole Geometry**  
(US Pat #6,639,993)

**Cast Aluminum Frame with Integral Shorting Sleeve**  
(US Pat #7,272,238)

**Airflow Optimized Dual Flare Pole Vent**

**65mm Voice Coil with High-Temp 4-Layer DVC Winding on Aluminum Former**

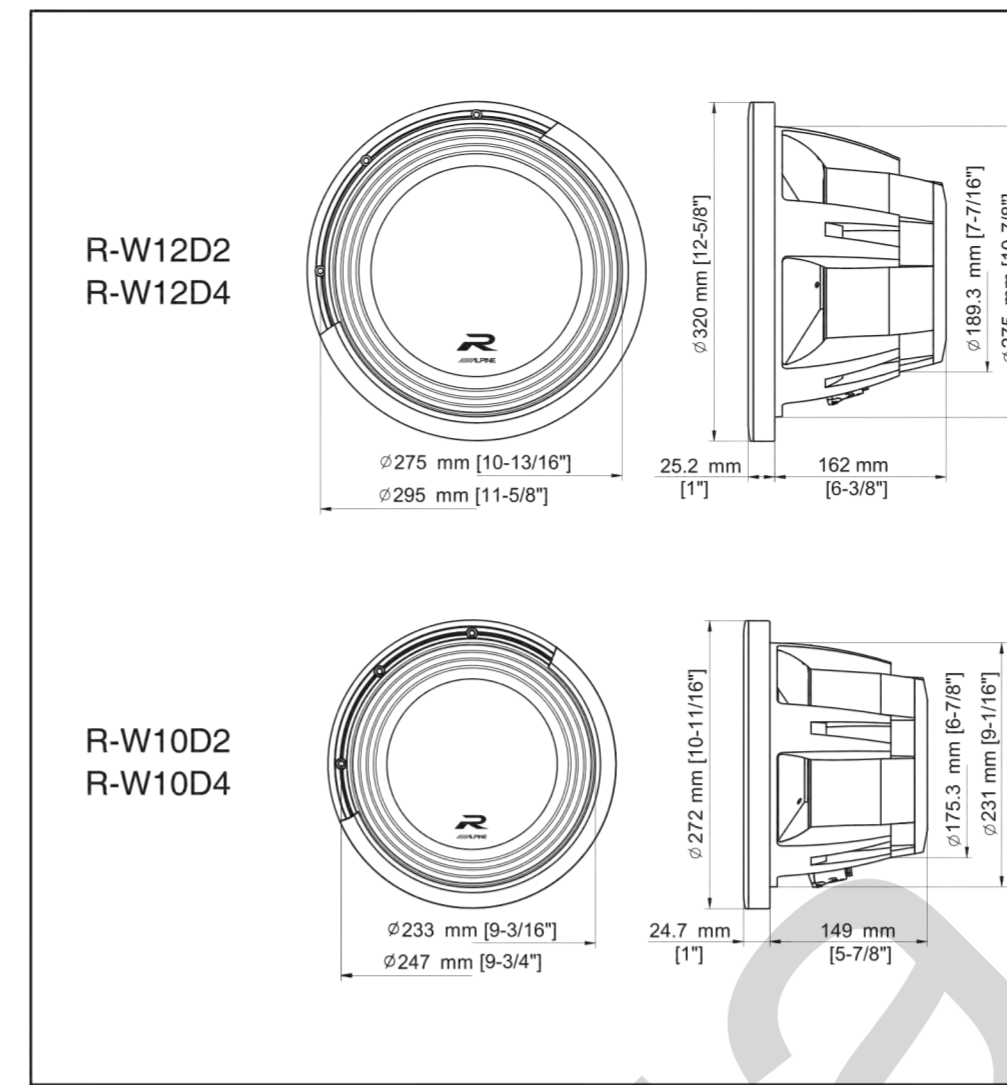
**Reinforced Cone Neck & Spider Joint**

**Progressive Spider with Reinforced Layer Tinsel Leads**  
(US Pat #6,810,988)

**Integrated 8AWG Push Terminals with VC Configuration Jumpers**

**High-Excursion Overhung Voice Coil Configuration**

**High-Grade Strontium Ferrite Segmented Magnet Assembly**



**ALPINE**

ALPINE ELECTRONICS, INC.  
Tokyo office:  
1-1-8 Nishi-Gotanda, Shinagawa-ku,  
Tokyo 141-8501, Japan  
Phone: 81(3) 3494-1101

ALPINE ELECTRONICS MARKETING, INC.  
1-7, Yukiya-Denjamachi, Ota-ku,  
Tokyo 145-0057, Japan  
Tel.: 03-5499-5311

ALPINE ELECTRONICS OF AMERICA, INC.  
19145 Gramercy Place  
Torrance, California 90501 U.S.A.  
Tel.: (310)529-9000

ALPINE ELECTRONICS GmbH  
Wilhelm-Wagenfeld-Strasse 1-3,  
80307 Munich,  
Germany  
Phone: 49(0)89-3242840

ALPINE ELECTRONICS FRANCE S.A.R.L.  
184 allée des Erables  
CS 52016 - Villeurbanne  
95 945 Roissy CDG cedex  
FRANCE  
Phone: +33 1 48 63 89 89

ALPINE ITALIA S.p.A.  
Viale C. Colombo 8,  
20090 Trezzano Sul  
Naviglio (MI), Italy  
Tel.: 02-484781

ALPINE ELECTRONICS OF U.K., LTD.  
Alpine House European Business Park,  
Fleethamstead Highway,  
Coventry CV4 9TW, U.K.  
Phone: 44(0)2476-715500

ALPINE ELECTRONICS OF AUSTRALIA PTY. LTD.  
151165 Pirrama Highway, Hallam  
Victoria 3803, Australia  
Tel.: 03-8787-1200

ALPINE ELECTRONICS DE ESPAÑA, S.A.  
Portal de Gensara 35, Pabellón 32  
01013 Vitoria (Alava),  
48900 Leizorain, Spain  
Tel.: 945-283588

ALPINE ELECTRONICS (CHINA) CO., LTD.  
R2-4F, China Merchants Tower,  
No.115 Jiangsu Street Chaoyang District,  
Beijing 100022, China  
Phone: 86(10)6566-0308

Printed in CHINA



**R-Series SUBWOOFER**  
**HAUT-PARLEUR D'EXTRÊMES GRAVES R-Series**  
**APPLICATION GUIDE**  
**GUIDE D'APPLICATION**

**R-W12D4**

12 Inch Dual Voice Coil Subwoofer (40)+(40)  
Haut-parleur d'extrêmes graves à double bobine 12 po (40)+(40)

**R-W12D2**

12 Inch Dual Voice Coil Subwoofer (20)+(20)  
Haut-parleur d'extrêmes graves à double bobine 12 po (20)+(20)

**R-W10D4**

10 Inch Dual Voice Coil Subwoofer (40)+(40)  
Haut-parleur d'extrêmes graves à double bobine 10 po (40)+(40)

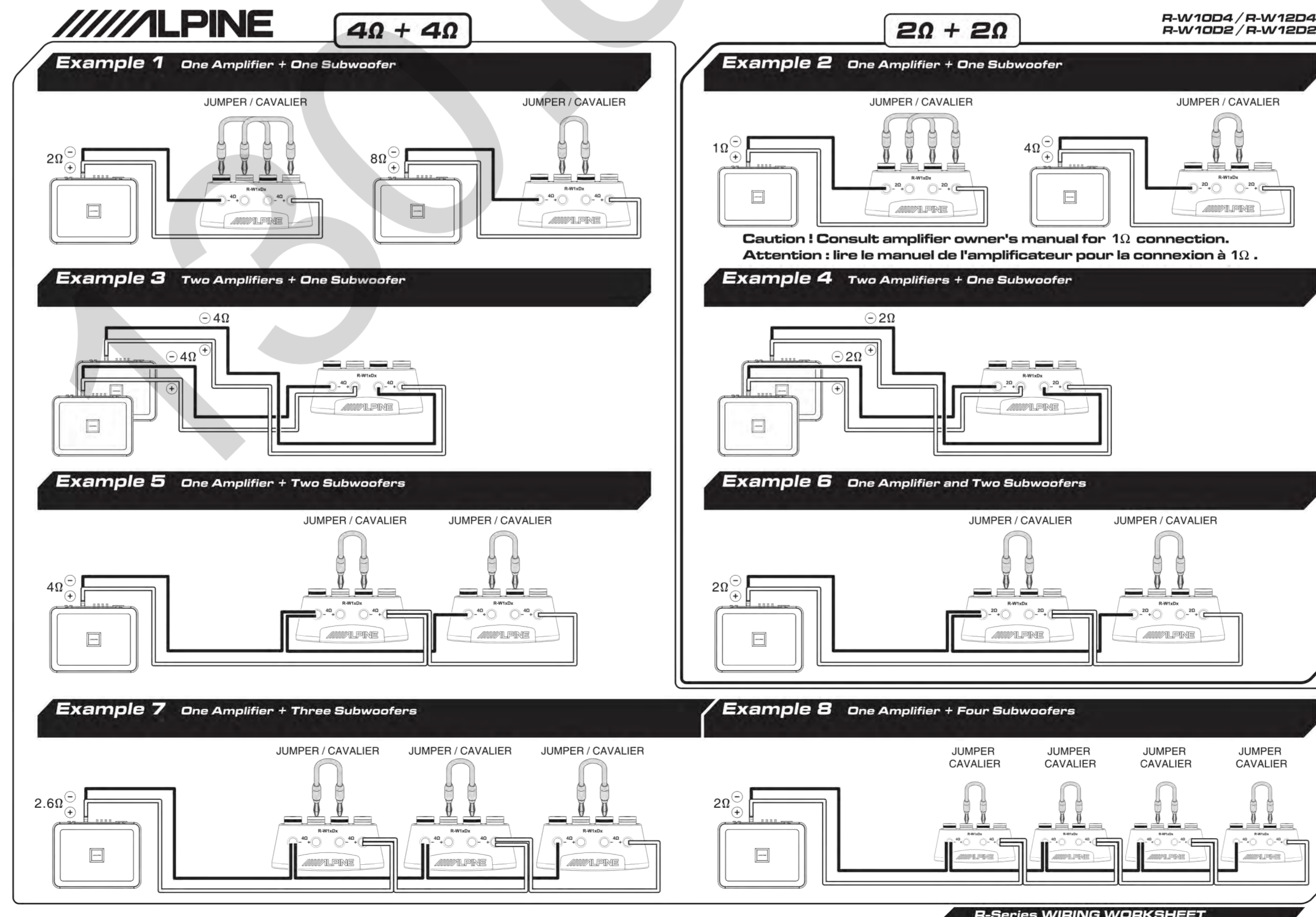
**R-W10D2**

10 Inch Dual Voice Coil Subwoofer (20)+(20)  
Haut-parleur d'extrêmes graves à double bobine 10 po (20)+(20)

General Specifications			R-Series			
			R-W10D2	R-W10D4	R-W12D2	R-W12D4
Size	Taille		10"	10"	12"	12"
Frequency Response	Response en Fréquence		26Hz-200Hz	26Hz-200Hz	24Hz-200Hz	24Hz-200Hz
Power Range	Plage de Puissance		300W-750W RMS (efficace)			
Power Handling	Puissance Admissible		750W RMS (efficace) / 2250W PEAK (de crête)			
Magnet Weight	Poids de l'aimant		111 oz	127 oz		
Voice Coil Diameter	Diamètre de la bobine		65.5 mm (2.6")			
Thiele-Small Parameters						
Sensitivity (1W/1m)	Sensibilité (1W/1m)	SPL	82.4 dB	82.4 dB	84.3 dB	84.7 dB
DC Resistance	Résistance DC	Re	1.90+1.90	3.60+3.60	1.90+1.90	3.60+3.60
Inductance	Inductance	Le	2.72 mH	4.46 mH	3.00 mH	4.46 mH
Free Air Resonance	Résonance à l'air libre	Fs	30 Hz	31 Hz	27 Hz	28 Hz
Equivalent Stiffness	Raideur équivalente	Vas	21 L	20 L	51 L	48 L
Mechanical Q	Q Mécanique	Qms	8.03	7.71	7.56	7.15
Electrical Q	Q Électrique	Qes	0.50	0.59	0.53	0.61
Total Q	Q Total	Qts	0.47	0.55	0.49	0.56
Cone Area	Surface du diaphragme	Sd	333cm <sup>2</sup>		479 cm <sup>2</sup>	
Linear Excursion	Déplacement Linéaire	Xmax (1-way)	20 mm			
Mechanical Travel	Déplacement Mécanique	Xmech (P-P)	70 mm		72 mm	

Note: Specifications subject to change without notice

APPLICATION DIAGRAMS



		R-W10D2/D4	R-W12D2/D4
Sealed Box Range	Net Internal Volume	0.4-0.85 ft <sup>3</sup>	0.55-1.0 ft <sup>3</sup>
	External Box Dimensions	12"x12"x10.5"	14"x14"x11"
Recommended Sealed Box	Gross Internal Volume	0.58 ft <sup>3</sup>	0.85 ft <sup>3</sup>
	Net Internal Volume	0.50 ft <sup>3</sup>	0.75 ft <sup>3</sup>
	F3, Qtc	D2: 44 Hz, 0.71 D4: 38 Hz, 0.89	D2: 40 Hz, 0.82 D4: 37 Hz, 1.00
Vented Box Range	Net Internal Volume	0.75-1.3 ft <sup>3</sup>	1.0-1.5 ft <sup>3</sup>
	Fb, Tuning	35-39 Hz	32-37 Hz
Recommended Vented Box	External Box Dimensions	23" x 12" x 11.5"	23" x 12.5" x 14"
	Gross Internal Volume	1.3 ft <sup>3</sup>	1.71 ft <sup>3</sup>
	Vent Area (W x H)	10 in <sup>2</sup> (10"x11")	12.5 in <sup>2</sup> (12.5"x11")
	Vent Length	17"	16"
	Vent Displacement	0.2 ft <sup>3</sup>	0.23 ft <sup>3</sup>
	Net Internal Volume (Vb)	1.0 ft <sup>3</sup>	1.38 ft <sup>3</sup>
F3, ripple, Fb	D2: 29Hz, 4.8dB, 36Hz D4: 28Hz, 6.1dB, 36Hz	D2: 30Hz, 4.6dB, 35Hz D4: 29Hz, 5.9dB, 35Hz	

Notes:  
1) Recommended enclosure net internal volume is based upon 3/4" (19mm) MDF enclosure construction.  
2) Consult the table below for alternative enclosure net internal volume calculation.

Front Mount Displacement* (magnet in)	-0.08 ft <sup>3</sup>	-0.10 ft <sup>3</sup>
Reverse Mount Added Volume** (magnet out)	+0.05 ft <sup>3</sup>	+0.09 ft <sup>3</sup>

\*Based upon 3/4" (19mm) baffle thickness, with opening cut approximately to gasket inner diameter

		R-W10D2/D4	R-W12D2/D4
Gamme Box Sealed	Volume intérieur net	0.4-0.85 pi <sup>3</sup>	0.55-1.0 pi <sup>3</sup>
	Dimensions de la boîte extérieures	12 po x 12 po x 10.5 po	14 po x 14 po x 11 po
	Volume intérieur brut	0.58 pi <sup>3</sup>	0.85 pi <sup>3</sup>
recommended Boîte Scellée	Volume intérieur Net***	0.50 pi <sup>3</sup>	0.75 pi <sup>3</sup>
	F3 Qtc	D2: 44 Hz, 0.71 D4: 38 Hz, 0.89	D2: 40 Hz, 0.82 D4: 37 Hz, 1.00
Gamme charge bass-reflex	Volume intérieur net	0.75-1.3 pi <sup>3</sup>	1.0-1.5 pi <sup>3</sup>
	Fb, mise au point	35-39Hz	32-37Hz
recommended charge bass-reflex	Dimensions de la boîte extérieures	23 po x 12 po x 11.5 po	23 po x 12.5 po x 14 po
	Volume intérieur brut	1.3 pi <sup>3</sup>	1.71 pi <sup>3</sup>
	Aire de l'évent (W x H)	10 in <sup>2</sup> (10 po x 11 po)	12.5 in <sup>2</sup> (12.5 po x 11 po)
	Longueur de l'évent	17 po	16 po
	Déplacement de l'évent	0.2 pi <sup>3</sup>	0.23 pi <sup>3</sup>
	Volume intérieur Net (Vb)***	1.0 pi <sup>3</sup>	1.38 pi <sup>3</sup>
F3, orfèvre, Fs	D2: 29Hz, 4.8dB, 36Hz D4: 28Hz, 6.1dB, 36Hz	D2: 30Hz, 4.6dB, 35Hz D4: 29Hz, 5.9dB, 35Hz	

Notes:  
1) Reconnais encinte volume net interne est basée sur 3/4" (19mm) de construction boîtier en MDF.  
2) Consultez le tableau ci-dessous pour le calcul de filet d'enclos alternative volume interne.

Avant le déplacement du Mont* (aimant)	-0.08 ft <sup>3</sup>	-0.10 ft <sup>3</sup>
Inverser Volume mont Ajouté* (des aimants)	+0.05 ft <sup>3</sup>	+0.09 ft <sup>3</sup>

\* Sur la base de l'épaisseur du déflecteur 3/4" (19mm), avec une ouverture coupée à peu près à joint diamètre intérieur