



PHONES

0 (800) 800 130  
(050) 462 0 130  
(063) 462 0 130  
(067) 462 0 130

130  
COM.UA

Internet store of  
autogoods



SKYPE

km-130

CAR RECEIVERS — Receivers • Media receivers and stations • Native receivers • CD/DVD changers • FM-modulators/USB adapters • Flash memory • Facia plates and adapters • Antennas • Accessories |  
CAR AUDIO — Car audio speakers • Amplifiers • Subwoofers • Processors • Crossovers • Headphones • Accessories | TRIP COMPUTERS — Universal computers • Model computers • Accessories |  
GPS NAVIGATORS — Portable GPS • Built-in GPS • GPS modules • GPS trackers • Antennas for GPS navigators • Accessories | VIDEO — DVR • TV sets and monitors • Car TV tuners • Cameras • Videomodules  
• Transcoders • Car TV antennas • Accessories | SECURITY SYSTEMS — Car alarms • Bike alarms • Mechanical blockers • Immobilizers • Sensors • Accessories | OPTIC AND LIGHT — Xenon • Bixenon • Lamps  
• LED • Stroboscopes • Optic and Headlights • Washers • Light, rain sensors • Accessories | PARKTRONICS AND MIRRORS — Rear parktronic • Front parktronic • Combined parktronic • Rear-view mirrors  
• Accessories | HEATING AND COOLING — Seat heaters • Mirrors heaters • Screen-wipers heaters • Engine heaters • Auto-refrigerators • Air conditioning units • Accessories | TUNING — Vibro-isolation  
• Noise-isolation • Tint films • Accessories | ACCESSORIES — Radar-detectors • Handsfree, Bluetooth • Windowlifters • Compressors • Beeps, loudspeakers • Measuring instruments • Cleaners • Car seats  
• Miscellaneous | MOUNTING — Installation kits • Upholstery • Grilles • Tubes • Cable and wire • Tools • Miscellaneous | POWER — Batteries • Converters • Start-charging equipment • Capacitors  
• Accessories | MARINE AUDIO AND ELECTRONICS — Marine receivers • Marine audio speakers • Marine subwoofers • Marine amplifiers • Accessories | CAR CARE PRODUCTS — Additives • Washer fluid •  
Care accessories • Car polish • Flavors • Adhesives and sealants | LIQUID AND OIL — Motor oil • Transmission oil • Brake fluid • Antifreeze • Technical lubricant



In store "130" you can find and buy almost all necessary goods for your auto in Kyiv and other cities, delivery by ground and postal services. Our experienced consultants will provide you with exhaustive information and help you to choose the very particular thing. We are waiting for you at the address

<https://130.com.ua>

























# AEG

## POWERTOOLS

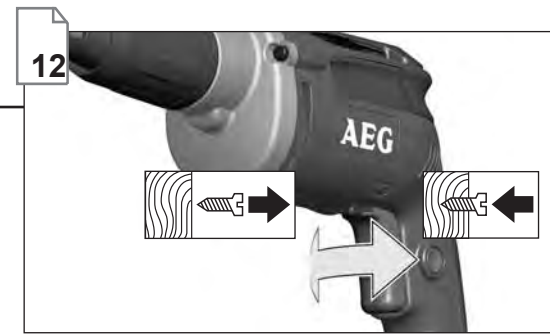
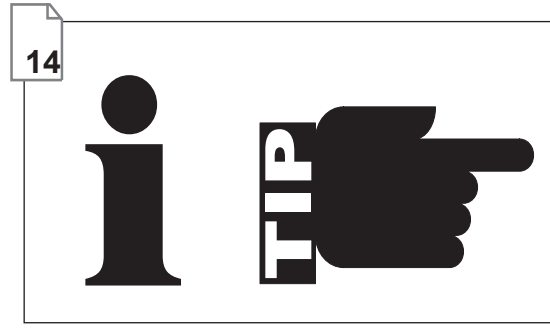
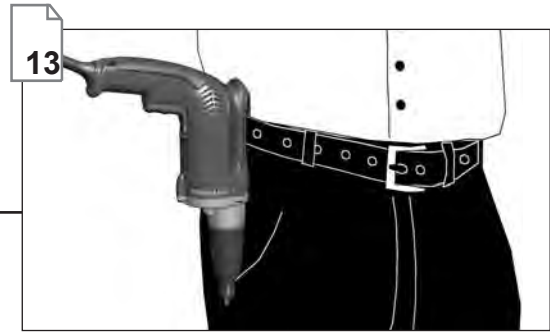
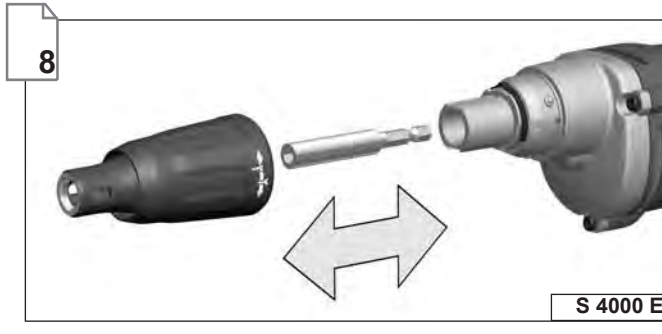
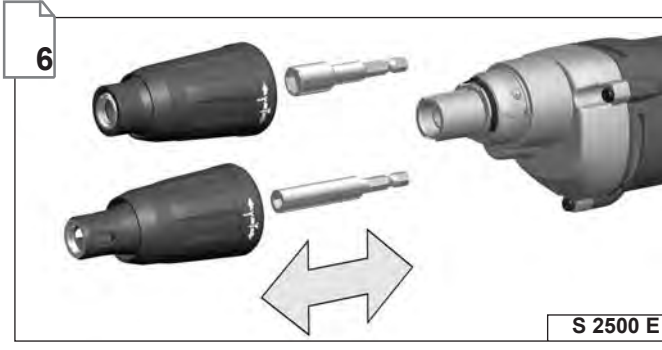
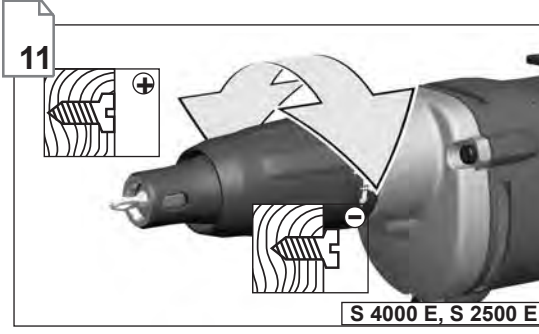
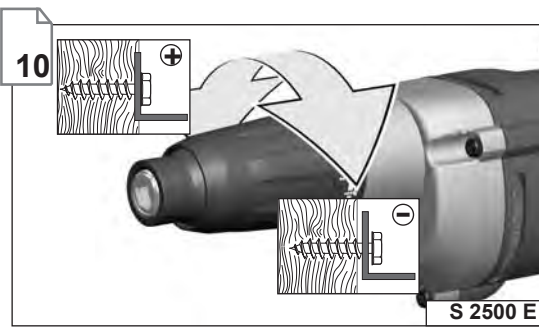
**S 2500 E, S 4000 E**

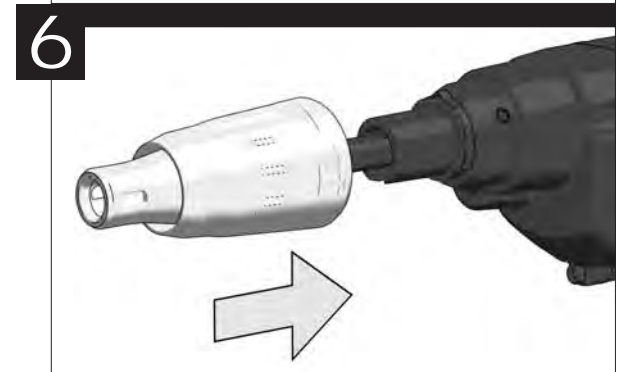
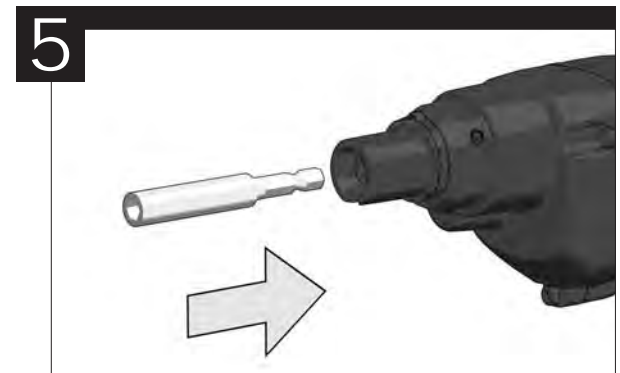
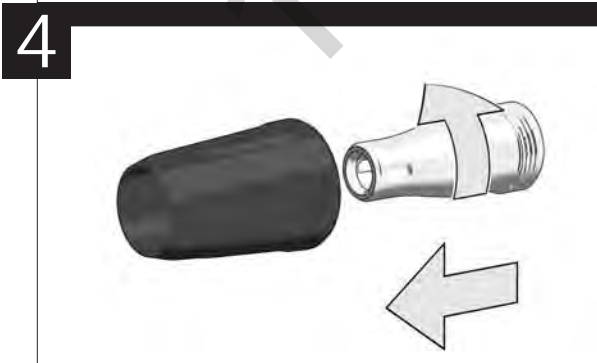
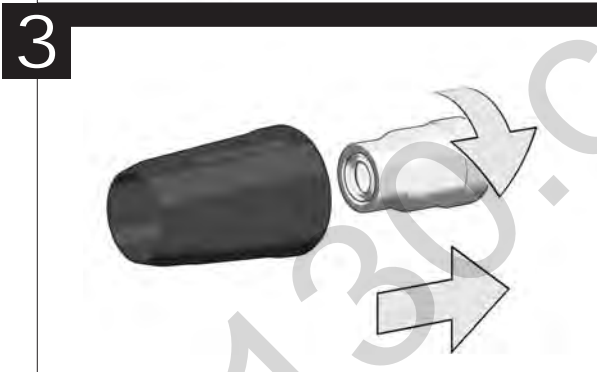
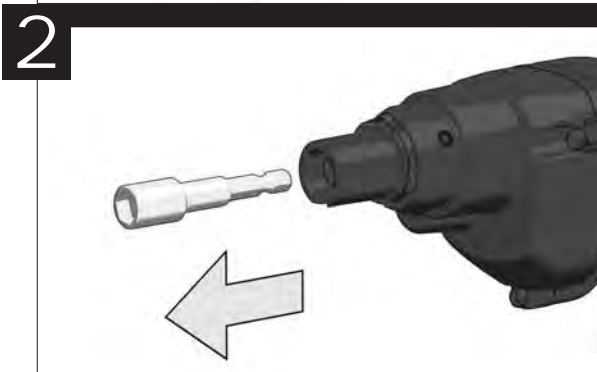
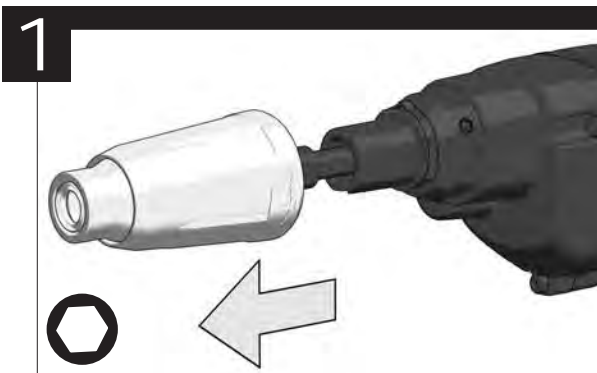
Original instructions  
Originalbetriebsanleitung  
Notice originale  
Istruzioni originali  
Manual original  
Manual original  
Oorspronkelijke  
gebruiksaanwijzing  
Original brugsanvisning  
Original bruksanvisning  
Bruksanvisning i original  
Alkuperäiset ohjeet  
Πρωτότυπο οδηγιών χρήσης  
Orijinal işletme talimatı  
Původním návodem k používání  
Pôvodný návod na použitie

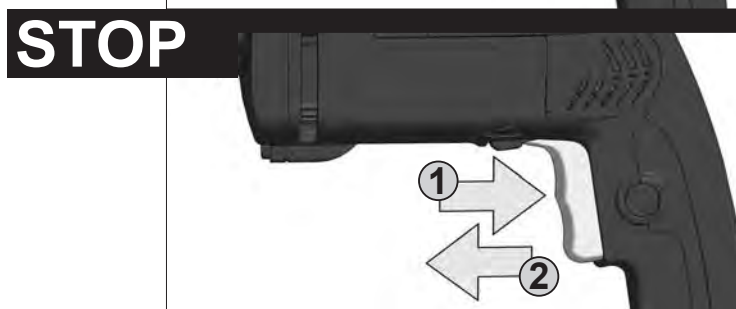
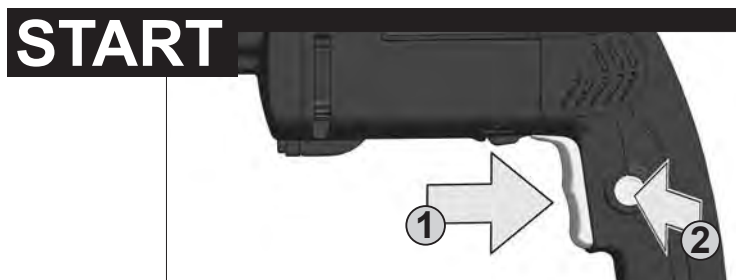
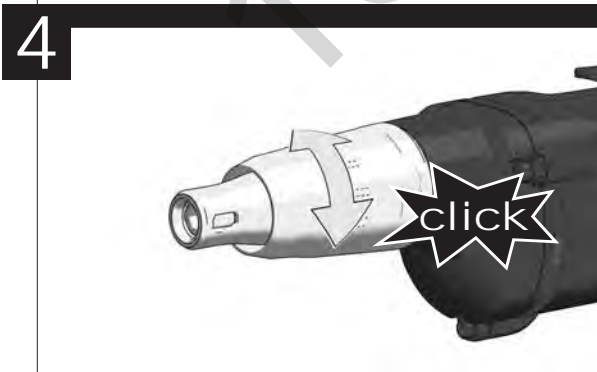
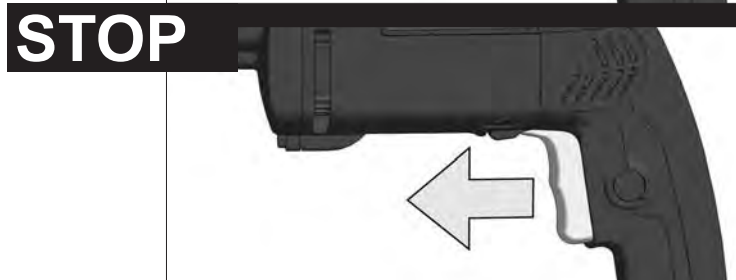
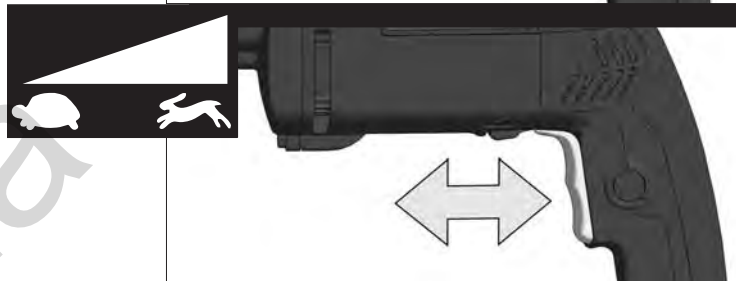
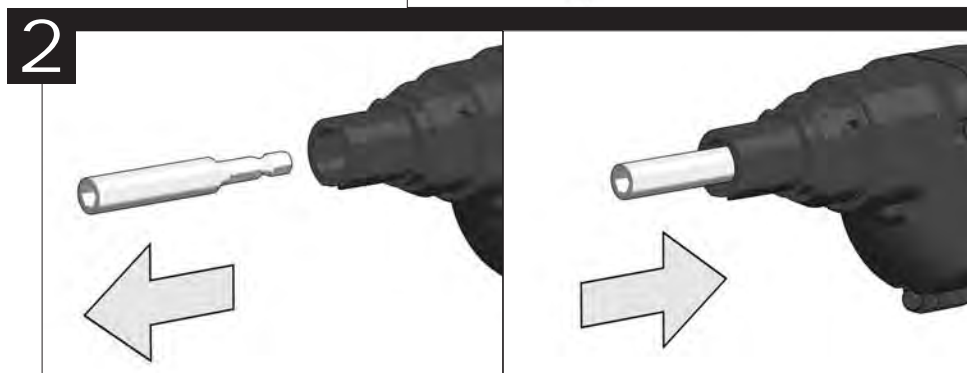
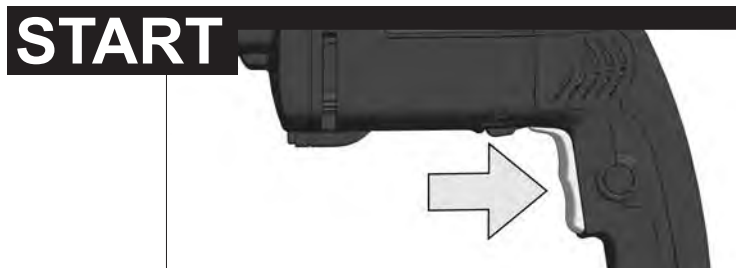
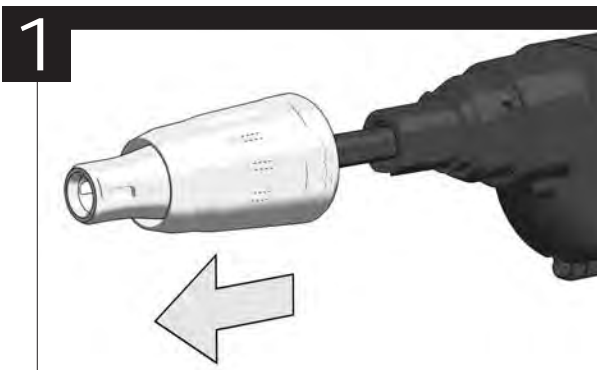
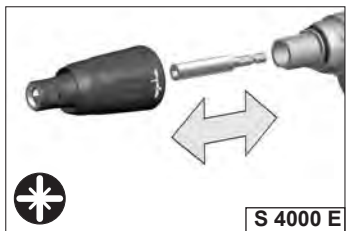
Instrukcja oryginalna  
Eredeti használati utasítás  
Izvirna navodila  
Originalne pogonske upute  
Instrukcijām oriģinālvalodā  
Originali instrukcija  
Algupärane kasutusjuhend  
Оригинальное руководство по  
эксплуатации  
Оригинално ръководство за  
експлоатация  
Instrucțiuni de folosire originale  
Оригинален прирачник за работа  
Оригінал інструкції з експлуатації  
التعليمات الأصلية

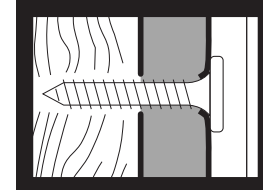
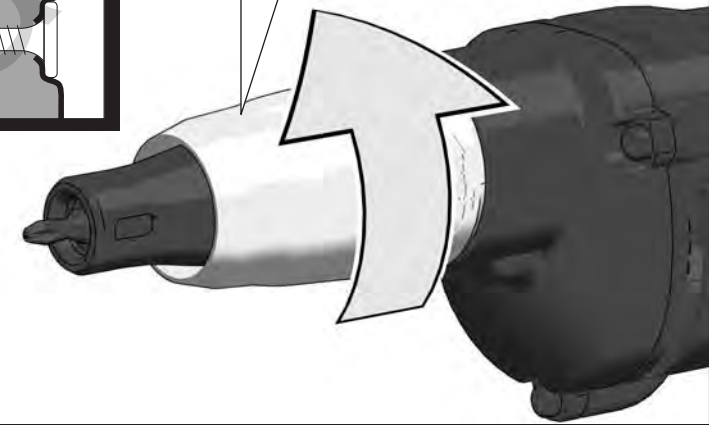
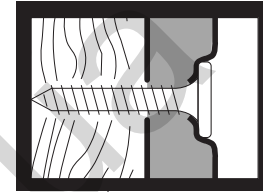
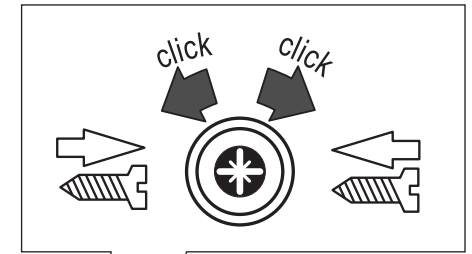
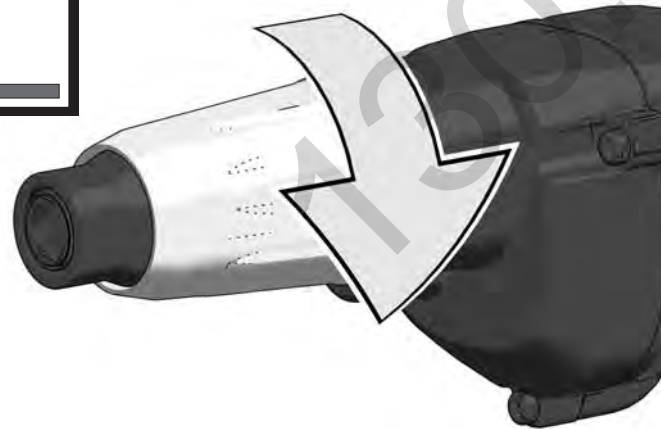
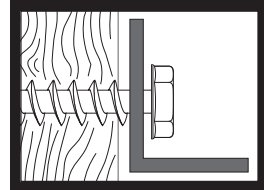
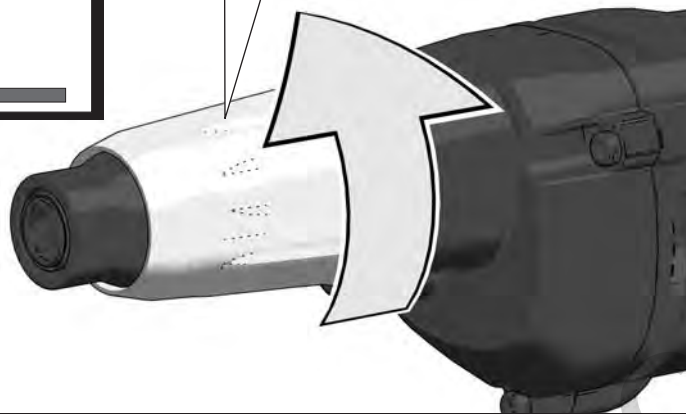
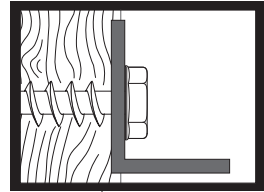
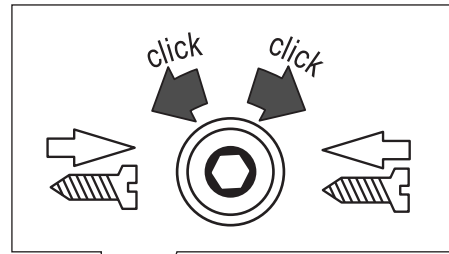
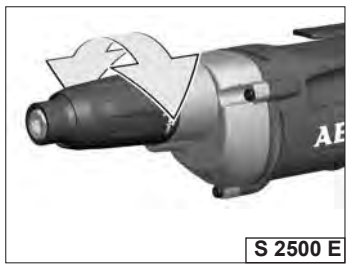
<b>ENGLISH</b>		Picture section with operating description and functional description	<b>4</b>
<b>DEUTSCH</b>		Bildteil mit Anwendungs- und Funktionsbeschreibungen	<b>4</b>
<b>FRANÇAIS</b>		Partie imagée avec description des applications et des fonctions	<b>4</b>
<b>ITALIANO</b>		Sezione illustrata con descrizione dell'applicazione e delle funzioni	<b>4</b>
<b>ESPAÑOL</b>		Sección de ilustraciones con descripción de aplicación y descripción funcional	<b>4</b>
<b>PORTUGUES</b>		Parte com imagens explicativas contendo descrição operacional e funcional	<b>4</b>
<b>NEDERLANDS</b>		Beelddedeelte met toepassings- en functiebeschrijvingen	<b>4</b>
<b>DANSK</b>		Billedel med anvendelses- og funktionsbeskrivelser	<b>4</b>
<b>NORSK</b>		Billedel med bruks- og funksjonsbeskrivelse	<b>4</b>
<b>SVENSKA</b>		Bilddel med användnings- och funktionsbeskrivning	<b>4</b>
<b>SUOMI</b>		Kuvasivut käyttö- ja toimintakuvaukset	<b>4</b>
<b>ÀĚĚÇÑĒĀ</b>		Τμήμα εικόνων με περιγραφές χρήσης και λειτουργίας	<b>4</b>
<b>TÜRKÇE</b>		Resim bölümü Uygulama ve fonksiyon açıklamaları ile birlikte	<b>4</b>
<b>ČESKY</b>		Obrazová část s popisem aplikací a funkcí	<b>4</b>
<b>SLOVENSKY</b>		Obrazová část s popisom aplikácií a funkcií	<b>4</b>
<b>POLSKI</b>		Część rysunkowa z opisami zastosowania i działania	<b>4</b>
<b>MAGYAR</b>		Képes részalkalmazási- és működési leírásokkal	<b>4</b>
<b>SLOVENSKO</b>		Del slike z opisom uporabe in funkcij	<b>4</b>
<b>HRVATSKI</b>		Dio sa slikama opisima primjene i funkcija	<b>4</b>
<b>LATVISKI</b>		Attēla daļa ar lietošanas un funkciju aprakstiem	<b>4</b>
<b>LIETUVIŠKAI</b>		Paveikslėlio dalis su vartojimo instrukcija ir funkcijų aprašymais	<b>4</b>
<b>EESTI</b>		Pildiosa kasutusjuhendi ja funktsioonide kirjeldusega	<b>4</b>
<b>ЃŃŃĚĚĒĒ</b>		Раздел иллюстраций с описанием эксплуатации и функций	<b>4</b>
<b>БЪЛГАРСКИ</b>		Част със снимки с описание за приложение и функции	<b>4</b>
<b>ROMÂNIA</b>		Secvența de imagine cu descrierea utilizării și a funcționării	<b>4</b>
<b>МАКЕДОНСКИ</b>		Дел со сликисо описи за употреба и функционирање	<b>4</b>
<b>УКРАЇНСЬКА</b>		Частина з зображеннями з описом робіт та функцій	<b>4</b>
<b>عربي</b>		قسم الصور يوجد به الوصف التشغيلي والوظيفي	<b>4</b>

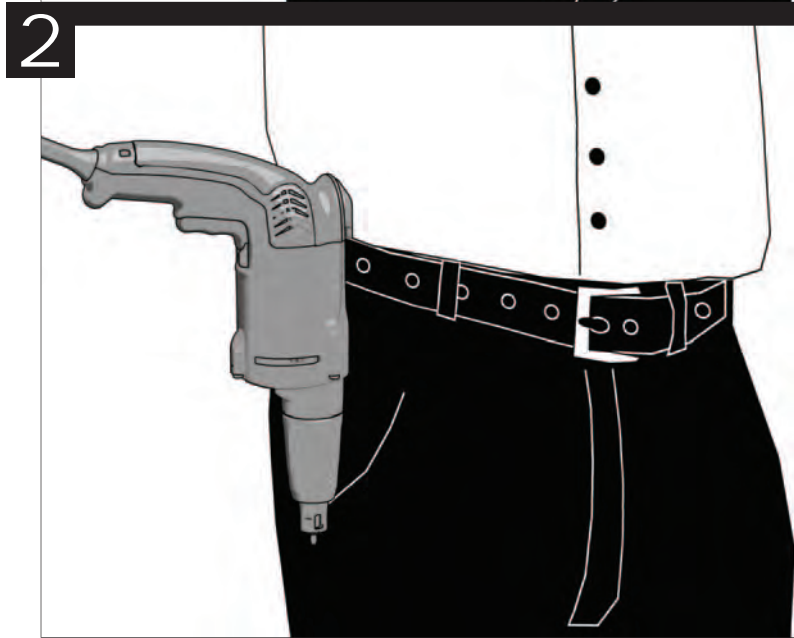
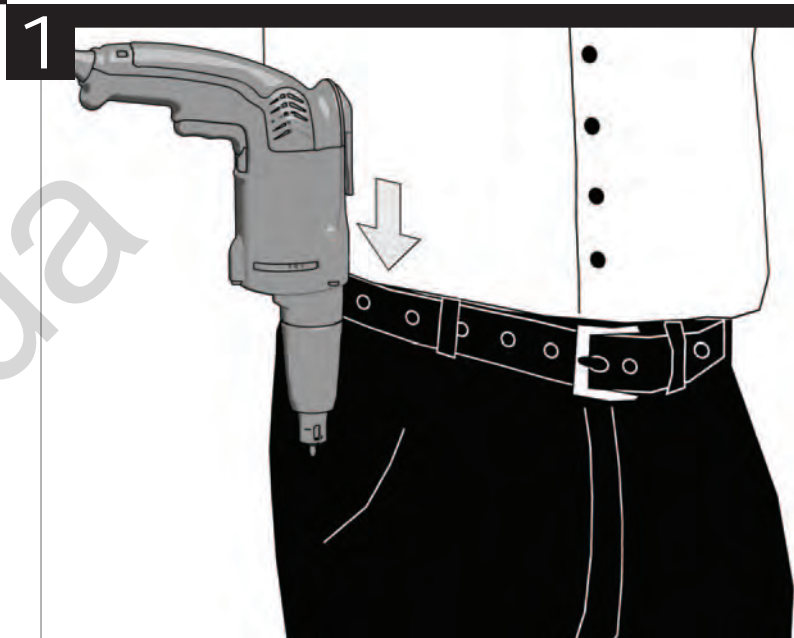
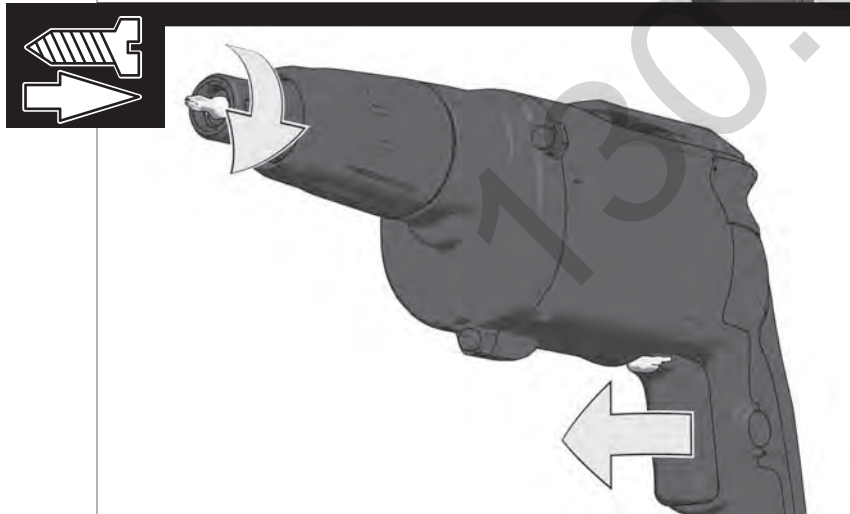
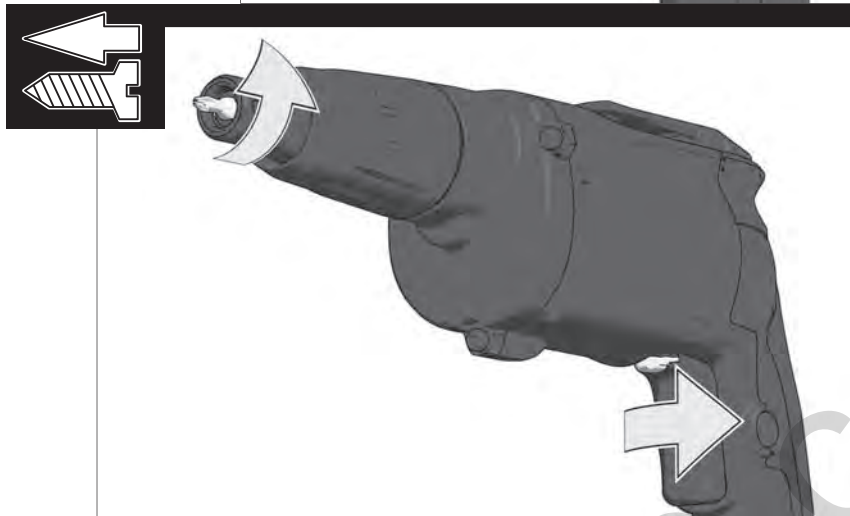
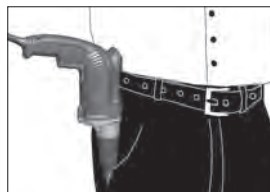
Text section with Technical Data, important Safety and Working Hints and description of Symbols	<b>16</b>
Textteil mit Technischen Daten, wichtigen Sicherheits- und Arbeitshinweisen und Erklärung der Symbole.	<b>18</b>
Partie textuelle avec les données techniques, les consignes importantes de sécurité et de travail ainsi que l'explication des pictogrammes.	<b>20</b>
Sezione testo con dati tecnici, importanti informazioni sulla sicurezza e sull'utilizzo, spiegazione dei simboli.	<b>22</b>
Sección de texto con datos técnicos, indicaciones importantes de seguridad y trabajo y explicación de los símbolos.	<b>24</b>
Parte com texto explicativo contendo Especificações técnicas, Avisos de segurança e de operação e a Descrição dos símbolos.	<b>26</b>
Tekstgedeelte met technische gegevens, belangrijke veiligheids- en arbeidsinstructies en verklaring van de symbolen.	<b>28</b>
Tekstdel med tekniske data, vigtige sikkerheds- og arbejdsanvisninger og symbolforklaring.	<b>30</b>
Tekstdel med tekniske data, viktige sikkerhets- og arbeidsinstruksjoner og forklaring av symbolene.	<b>32</b>
Tekstdel med tekniska informationer, viktiga säkerhets- och användningsinstruktioner samt symbolförklaringar.	<b>34</b>
Tekstisivut: tekniset tiedot, tärkeät turvallisuus- ja työskentelyohjeet sekä merkien selitykset.	<b>36</b>
Τμήμα κειμένου με τεχνικά χαρακτηριστικά, σημαντικές υποδείξεις ασφαλείας και εργασίας και εξήγηση των συμβόλων.	<b>38</b>
Teknik bilgileri, önemli güvenlik ve çalışma açıklamalarını ve de sembollerin açıklamalarını içeren metin bölümü.	<b>40</b>
Textová část s technickými daty, důležitými bezpečnostními a pracovními pokyny a s vysvětlivkami symbolů	<b>42</b>
Textová část s technickými datami, důležitými bezpečnostními a pracovními pokyny a s vysvětlivkami symbolov	<b>44</b>
Część opisowa z danymi technicznymi, ważnymi wskazówkami dotyczącymi bezpieczeństwa i pracy oraz objaśnieniami symboli.	<b>46</b>
Szöveges rész műszaki adatokkal, fontos biztonsági- és munkavégzési útmutatásokkal, valamint a szimbólumok magyarázata.	<b>48</b>
Del besedila s tehničnimi podatki, pomembnimi varnostnimi opozorili in delovnimi navodili in pojasnili simbolov.	<b>50</b>
Dio štiva sa tehničkim podacima, važnim sigurnosnim i radnim uputama i objašnjenjem simbola.	<b>52</b>
Teksta daļa ar tehnikajiem parametriem, svarīgiem drošības un darbības norādījumiem, simbolu atšifrējumiem.	<b>54</b>
Teksto dalis su techniniais duomenimis, svarbiomis saugumo ir darbo instrukcijomis bei simbolių paaiškinimais.	<b>56</b>
Tekstiosa tehniliste näitajate, oluliste ohutus- ja tööjuhenditega ning sümbolite kirjeldustega.	<b>58</b>
Текстовый раздел, включающий технические данные, важные рекомендации по безопасности и эксплуатации, а также описание используемых символов.	<b>60</b>
Част с текст с технически данни, важни указания за безопасност и работа и разяснение на символите.	<b>62</b>
Porțiune de text cu date tehnice, indicații importante privind siguranța și modul de lucru și descrierea simbolurilor.	<b>64</b>
Tekstuален дел со Технички карактеристики, важни безбедносни и работни упатства и објаснување на симболите.	<b>66</b>
Текстова частина з техничними даними, важливими вказівками з техніки безпеки та експлуатації і поясненням символів.	<b>68</b>
القسم النصي المزود بالبيانات الفنية والنصائح الهامة للسلامة والعمل ووصف الرموز	<b>70</b>



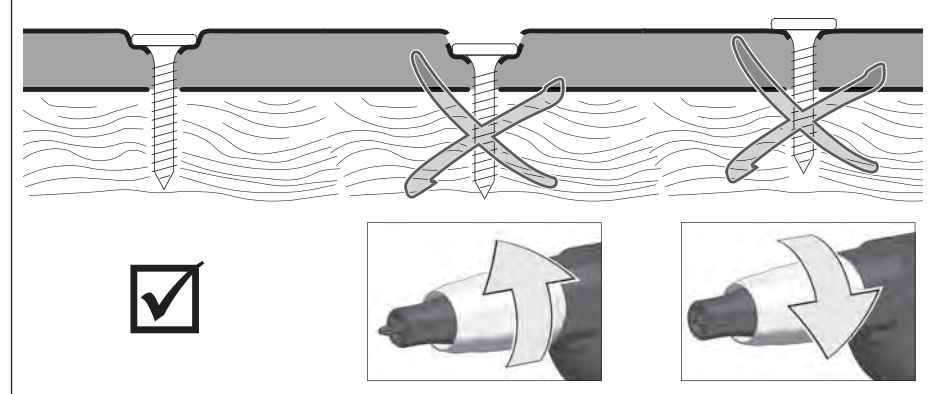
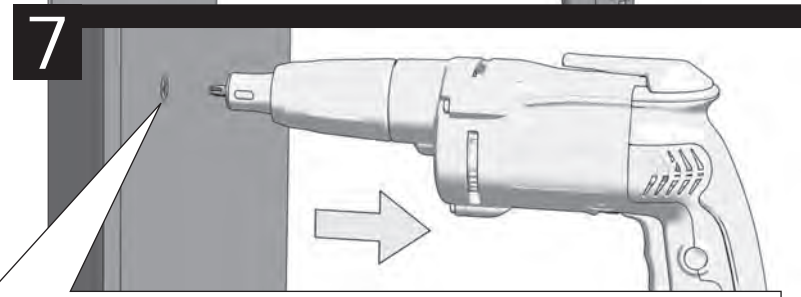
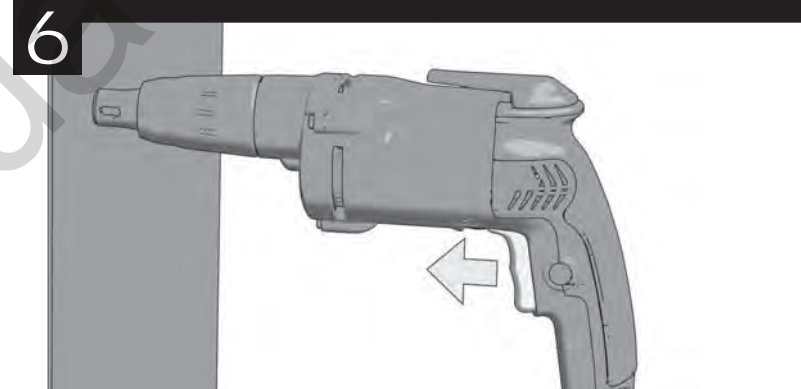
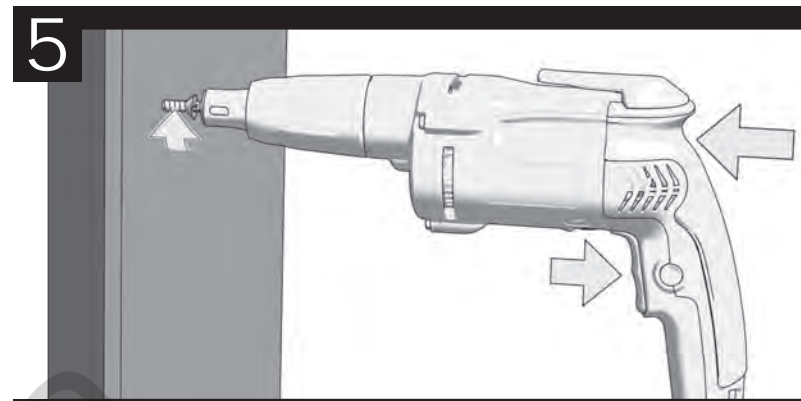
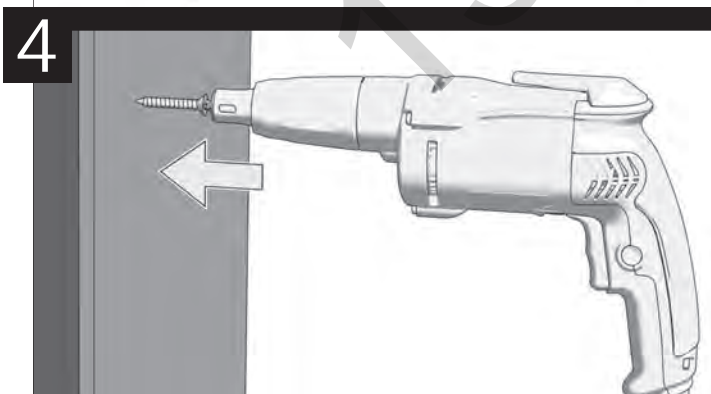
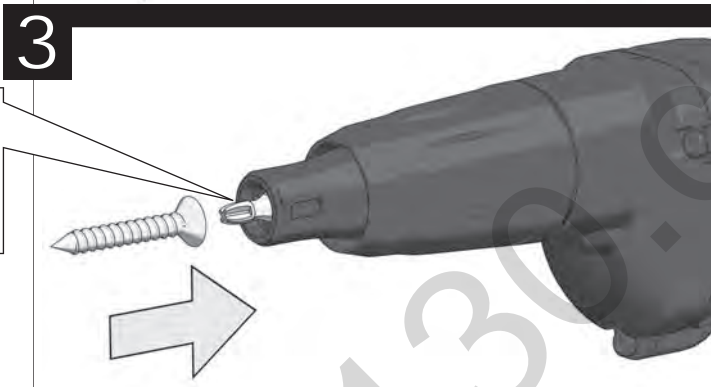
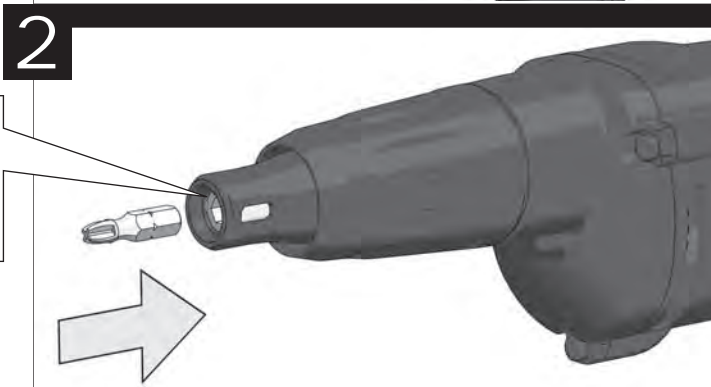
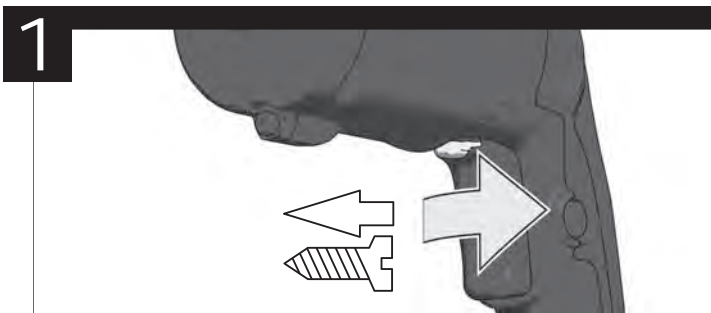












**TECHNICAL DATA** **S 2500 E** **S 4000 E**

Production code.....	4133 58 02... ..4133 61 02...	4133 61 02...
.....	4134 32 02... ..4132 24 02...	4132 24 02...
.....	...000001-999999	...000001-999999
Rated input .....	720 W .....	720 W
Output.....	360 W .....	360 W
No-load speed .....	0-2500 min <sup>-1</sup> .....	0-4000 min <sup>-1</sup>
Self-drill screws up to max.....	6,3 mm .....	6,3 mm
Allen screws (key width).....	10 mm .....	-
Dry wall screws up to max.....	5,0 mm .....	5,0 mm
Universal reception.....	1/4" .....	1/4"
Weight according EPTA-Procedure 01/2003 .....	1,5 kg.....	1,4 kg

**Noise information**  
 Measured values determined according to EN 60745.  
 Typically the A-weighted sound pressure level of the tool is:  
 Sound pressure level (Uncertainty K=3dB(A))..... 86,5 dB (A) ..... 86,5 dB (A)  
 Sound power level (Uncertainty K=3dB(A))..... 97,5 dB (A) ..... 97,5 dB (A)

**Wear ear protectors!**  
**Vibration information**  
 Total vibration values (vector sum in the three axes) determined according to EN 60745.  
 Vibration emission value a<sub>v</sub>  
 Screwing .....

**WARNING**  
 The vibration emission level given in this information sheet has been measured in accordance with a standardised test given in EN 60745 and may be used to compare one tool with another. It may be used for a preliminary assessment of exposure.  
 The declared vibration emission level represents the main applications of the tool. However if the tool is used for different applications, with different accessories or poorly maintained, the vibration emission may differ. This may significantly increase the exposure level over the total working period.  
 An estimation of the level of exposure to vibration should also take into account the times when the tool is switched off or when it is running but not actually doing the job. This may significantly reduce the exposure level over the total working period.  
 Identify additional safety measures to protect the operator from the effects of vibration such as: maintain the tool and the accessories, keep the hands warm, organisation of work patterns.

**WARNING! Read all safety warnings and all instructions.** Failure to follow the warnings and instructions may result in electric shock, fire and/or serious injury.  
**Save all warnings and instructions for future reference.**

**SCREWDRIVER SAFETY WARNINGS**

**Hold power tool by insulated gripping surfaces, when performing an operation where the fasteners may contact hidden wiring or its own cord.** Fasteners contacting a "live" wire may make exposed metal parts of the power tool "live" and could give the operator an electric shock.

**Wear ear protectors when impact drilling.** Exposure to noise can cause hearing loss.

**ADDITIONAL SAFETY AND WORKING INSTRUCTIONS**

Use protective equipment. Always wear safety glasses when working with the machine. The use of protective clothing is recommended, such as dust mask, protective gloves, sturdy non-slip footwear, helmet and ear defenders.

The dust produced when using this tool may be harmful to health. Do not inhale the dust. Wear a suitable dust protection mask.

Do not machine any materials that present a danger to health (e.g. asbestos).

Switch the device off immediately if the insertion tool stalls! Do not switch the device on again while the insertion tool is stalled, as doing so could trigger a sudden recoil with a high reactive force. Determine why the insertion tool stalled and rectify this, paying heed to the safety instructions.

The possible causes may be:  
 • it is tilted in the workpiece to be machined  
 • it has pierced through the material to be machined

- the power tool is overloaded
- Do not reach into the machine while it is running.
- The insertion tool may become hot during use.
- WARNING!** Danger of burns
- when changing tools
- when setting the device down
- Chips and splinters must not be removed while the machine is running.
- Keep mains lead clear from working range of the machine. Always lead the cable away behind you.
- When working in walls ceiling, or floor, take care to avoid electric cables and gas or waterpipes.
- Clamp your workpiece with a clamping device. Unclamped workpieces can cause severe injury and damage.
- Always disconnect the plug from the socket before carrying out any work on the machine.

**SPECIFIED CONDITIONS OF USE**

The screwdriver is suited for setting dry wall screws when fixing gypsum plaster boards to wood furring or metal furring.

Do not use this product in any other way as stated for normal use.

**EC-DECLARATION OF CONFORMITY**

We declare under our sole responsibility that the product described under "Technical Data" fulfills all the relevant provisions of the directives 2011/65/EU (RoHS), 2014/30/EU, 2006/42/EC and the following harmonized standards have been used:

EN 60745-1:2009 + A11:2010  
 EN 60745-2-2:2010  
 EN 55014-1:2006 + A1:2009 + A2:2011  
 EN 55014-2:1997 + A1:2001 + A2:2008  
 EN 61000-3-2:2014  
 EN 61000-3-3:2013  
 EN 50581:2012

Winnenden, 2016-03-29

*Alexander Krug*  
 Alexander Krug  
 Managing Director

Authorized to compile the technical file

Techtronic Industries GmbH  
 Max-Eyth-Straße 10  
 71364 Winnenden  
 Germany

**MAINS CONNECTION**

Appliances used at many different locations including wet room and open air must be connected via a residual current device (FI, RCD, PRCD) of 30mA or less.

Connect only to single-phase AC current and only to the system voltage indicated on the rating plate. It is also possible to connect to sockets without an earthing contact as the design conforms to safety class II.

Make sure the machine is switched off before plugging in.

This is a device for professional use which may slightly exceed the guide values for current harmonics when it is connected to the public low voltage mains supply. You should therefore contact your energy supply company before you connect the device to the public low voltage mains supply.

**MAINTENANCE**

The ventilation slots of the machine must be kept clear at all times.



Important note! If the carbon brushes are worn, in addition to exchanging the brushes the tool should be sent to after-sales service. This will ensure long service life and top performance.


If the supply cord of this appliance is damaged, it must only be replaced by a repair shop appointed by the manufacturer, to avoid hazardous situations.


Use only AEG accessories and spare parts. Should components need to be replaced which have not been described, please contact one of our AEG service agents (see our list of guarantee/service addresses).


If needed, an exploded view of the tool can be ordered. Please state the Article No. as well as the machine type printed on the label and order the drawing at your local service agents or directly at: Techtronic Industries GmbH, Max-Eyth-Straße 10, 71364 Winnenden, Germany.

**SYMBOLS**

 CAUTION! WARNING! DANGER!  
 Always disconnect the plug from the socket before carrying out any work on the machine.

 Please read the instructions carefully before starting the machine.

 Do not dispose of electric tools together with household waste material. Electric tools and electronic equipment that have reached the end of their life must be collected separately and returned to an environmentally compatible recycling facility. Check with your local authority or retailer for recycling advice and collection point.

 Class II tool, tool in which protection against electric shock does not rely on basic insulation only, but in which additional safety precautions, such as double insulation or reinforced insulation, are provided. There being no provision for protective earthing or reliance upon installation conditions.

 European Conformity Mark

 National mark of conformity Ukraine

 EurAsian Conformity Mark.

**TECHNISCHE DATEN** **S 2500 E** **S 4000 E**

Produktionsnummer .....	4133 58 02... ..4133 61 02...	4133 32 02... ..4132 24 02...
.....	.....000001-999999	.....000001-999999
Nennaufnahmeleistung.....	720 W .....	720 W .....
Abgabeleistung.....	360 W .....	360 W .....
Leerlaufdrehzahl.....	0-2500 min <sup>-1</sup> .....	0-4000 min <sup>-1</sup> .....
Selbstbohrschrauben bis max. ....	6,3 mm .....	6,3 mm .....
Sechskantschrauben (Schlüsselweite).....	10 mm .....	10 mm .....
Schnellbauschrauben bis max. ....	5,0 mm .....	5,0 mm .....
Universalhalteraufnahme.....	1/4" .....	1/4" .....
Gewicht nach EPTA-Prozedur 01/2003.....	1,5 kg .....	1,4 kg .....

**Geräuschinformationen**  
 Messwerte ermittelt entsprechend EN 60745.  
 Der A-bewertete Geräuschpegel des Gerätes beträgt  
 typischerweise:  
 Schalldruckpegel (Unsicherheit K=3dB(A)) ..... 86,5 dB (A) ..... 86,5 dB (A)  
 Schalleistungspegel (Unsicherheit K=3dB(A))..... 97,5 dB (A) ..... 97,5 dB (A)

**Gehörschutz tragen!**  
**Vibrationsinformationen**  
 Schwingungsgesamtwerte (Vektorsumme dreier Richtungen)  
 ermittelt entsprechend EN 60745:  
 Schwingungsemissionswert a<sub>v</sub>  
 Schrauben ..... < 2,5 m/s<sup>2</sup> ..... < 2,5 m/s<sup>2</sup>  
 Unsicherheit K = ..... 1,5 m/s<sup>2</sup> ..... 1,5 m/s<sup>2</sup>

**WARNUNG**  
 Der in diesen Anweisungen angegebene Schwingungspegel ist entsprechend einem in EN 60745 genormten Messverfahren gemessen worden und kann für den Vergleich von Elektrowerkzeugen miteinander verwendet werden. Er eignet sich auch für eine vorläufige Einschätzung der Schwingungsbelastung.  
 Der angegebene Schwingungspegel repräsentiert die hauptsächlichen Anwendungen des Elektrowerkzeugs. Wenn allerdings das Elektrowerkzeug für andere Anwendungen, mit abweichenden Einsatzwerkzeugen oder ungenügender Wartung eingesetzt wird, kann der Schwingungspegel abweichen. Dies kann die Schwingungsbelastung über den gesamten Arbeitszeitraum deutlich erhöhen.  
 Für eine genaue Abschätzung der Schwingungsbelastung sollten auch die Zeiten berücksichtigt werden, in denen das Gerät abgeschaltet ist oder zwar läuft, aber nicht tatsächlich im Einsatz ist. Dies kann die Schwingungsbelastung über den gesamten Arbeitszeitraum deutlich reduzieren.  
 Legen Sie zusätzliche Sicherheitsmaßnahmen zum Schutz des Bedieners vor der Wirkung von Schwingungen fest wie zum Beispiel: Wartung von Elektrowerkzeug und Einsatzwerkzeugen, Warmhalten der Hände, Organisation der Arbeitsabläufe.

**! WARNUNG! Lesen Sie alle Sicherheitshinweise und Anweisungen.** Versäumnisse bei der Einhaltung der Sicherheitshinweise und Anweisungen können elektrischen Schlag, Brand und/oder schwere Verletzungen verursachen. **Bewahren Sie alle Sicherheitshinweise und Anweisungen für die Zukunft auf.**

**! SICHERHEITSHINWEISE FÜR SCHLAGSCHRAUBER**  
**Halten Sie das Gerät an den isolierten Griffflächen, wenn Sie Arbeiten ausführen, bei denen die Schraube verborgene Stromleitungen oder das eigene Kabel treffen kann.** Der Kontakt der Schraube mit einer spannungsführenden Leitung kann metallene Geräteteile unter Spannung setzen und zu einem elektrischen Schlag führen.

**Tragen Sie Gehörschutz.** Die Einwirkung von Lärm kann Gehörverlust bewirken.

**WEITERE SICHERHEITS- UND ARBEITSHINWEISE**  
 Schutzausrüstung verwenden. Beim Arbeiten mit der Maschine stets Schutzbrille tragen. Schutzkleidung wie Staubschutzmaske, Schutzhandschuhe, festes und rutschsicheres Schuhwerk, Helm und Gehörschutz werden empfohlen.  
 Beim Arbeiten entstehender Staub ist oft gesundheitsschädlich und sollte nicht in den Körper gelangen. Geeignete Staubschutzmaske tragen.  
 Es dürfen keine Materialien bearbeitet werden, von denen eine Gesundheitsgefährdung ausgeht (z.B. Asbest).  
 Beim Blockieren des Einsatzwerkzeuges bitte das Gerät sofort ausschalten! Schalten Sie das Gerät nicht wieder ein,

solange das Einsatzwerkzeug blockiert ist; hierbei könnte ein Rückschlag mit hohem Reaktionsmoment entstehen. Ermitteln und beheben Sie die Ursache für die Blockierung des Einsatzwerkzeuges unter Berücksichtigung der Sicherheitshinweise.  
 Mögliche Ursachen dafür können sein:  
 • Verkanten im zu bearbeitenden Werkstück  
 • Durchbrechen des zu bearbeitenden Materials  
 • Überlasten des Elektrowerkzeuges  
 Greifen Sie nicht in die laufende Maschine.  
 Das Einsatzwerkzeug kann während der Anwendung heiß werden.  
**WARNUNG! Verbrennungsgefahr**  
 • bei Werkzeugwechsel  
 • bei Ablegen des Gerätes  
 Späne oder Splinter dürfen bei laufender Maschine nicht entfernt werden.  
 Anschlusskabel stets vom Wirkungsbereich der Maschine fernhalten. Kabel immer nach hinten von der Maschine wegführen.  
 Beim Arbeiten in Wand, Decke oder Fußboden auf elektrische Kabel, Gas- und Wasserleitungen achten.  
 Sichern Sie Ihr Werkstück mit einer Spannvorrichtung. Nicht gesicherte Werkstücke können schwere Verletzungen und Beschädigungen verursachen.  
 Vor allen Arbeiten an der Maschine Stecker aus der Steckdose ziehen.


**BESTIMMUNGSGEMÄSSE VERWENDUNG**

Der Bauschrauber ist einsetzbar zum Schrauben in Holz, Metall, Blech und Kunststoff und zum Verschrauben von Metallteilen (je nach eingesetztem Zubehör).  
 Dieses Gerät darf nur wie angegeben bestimmungsgemäß verwendet werden.

**CE-KONFORMITÄTSERKLÄRUNG**

Wir erklären in alleiniger Verantwortung, dass das unter „Technische Daten“ beschriebene Produkt mit alle relevanten Vorschriften der Richtlinie 2011/65/EU (RoHS), 2014/30/EU, 2006/42/EG und den folgenden harmonisierten normativen Dokumenten übereinstimmt:  
 EN 60745-1:2009 + A11:2010  
 EN 60745-2-2:2010  
 EN 55014-1:2006 + A1:2009 + A2:2011  
 EN 55014-2:1997 + A1:2001 + A2:2008  
 EN 61000-3-2:2014  
 EN 61000-3-3:2013  
 EN 50581:2012

Winnenden, 2016-03-29

  
 Alexander Krug  
 Managing Director  
 Bevollmächtigt die technischen Unterlagen zusammenzustellen.  
 Techtronic Industries GmbH  
 Max-Eyth-Straße 10  
 71364 Winnenden  
 Germany

**NETZANSCHLUSS**


Steckdosen in Feuchträumen und Außenbereichen müssen mit Fehlerstrom-Schutzschaltern (FI, RCD, PRCD) ausgerüstet sein. Das verlangt die Installationsvorschrift für Ihre Elektroanlage. Bitte beachten Sie das bei der Verwendung unseres Gerätes.  
 Nur an Einphasen-Wechselstrom und nur an die auf dem Leistungsschild angegebene Netzspannung anschließen. Anschluss ist auch an Steckdosen ohne Schutzkontakt möglich, da ein Aufbau der Schutzklasse II vorliegt.  
 Gerät nur ausgeschaltet an die Steckdose anschließen.  
 Dies ist ein Gerät zur professionellen Nutzung, das die Richtwerte für Stromoberwellen beim Anschluss an das öffentliche Niederspannungsnetz geringfügig überschreiten kann. Kontaktieren Sie daher vor dem Anschluss des Gerätes an das öffentliche Niederspannungsnetz gegebenenfalls Ihr zuständiges Energieversorgungsunternehmen.

**WARTUNG**

Stets die Lüftungsschlitze der Maschine sauber halten.  
 Bei abgenutzten Kohlebürsten sollte zusätzlich zum Kohlebürstenwechsel ein Kundendienst in einer Servicewerkstatt durchgeführt werden. Dies erhöht die Lebensdauer der Maschine und garantiert eine ständige Betriebsbereitschaft.  
 Wenn die Netzanschlussleitung beschädigt ist, muss diese durch eine Kundendienststelle ausgewechselt werden, um Gefährdungen zu vermeiden.  
 Nur AEG Zubehör und Ersatzteile verwenden. Bauteile, deren Austausch nicht beschrieben wurde, bei einer AEG Kundendienststelle auswechseln lassen (Broschüre Garantie/Kundendienstadressen beachten).  
 Bei Bedarf kann eine Explosionszeichnung des Gerätes unter Angabe der Maschinen Type und der sechsstelligen Nummer auf dem Leistungsschild bei Ihrer

Kundendienststelle oder direkt bei Techtronic Industries GmbH, Max-Eyth-Straße 10, 71364 Winnenden, Germany angefordert werden.

**SYMBOL**


 **ACHTUNG! WARNUNG! GEFAHR!**


 Vor allen Arbeiten an der Maschine Stecker aus der Steckdose ziehen.


 Bitte lesen Sie die Gebrauchsanweisung vor Inbetriebnahme sorgfältig durch.

 Elektrogeräte dürfen nicht zusammen mit dem Hausmüll entsorgt werden. Elektrische und elektronische Geräte sind getrennt zu sammeln und zur umweltgerechten Entsorgung bei einem Wertungsbetrieb abzugeben. Erkundigen Sie sich bei den örtlichen Behörden oder bei Ihrem Fachhändler nach Recyclinghöfen und Sammelstellen.

 Elektrowerkzeug der Schutzklasse II. Elektrowerkzeug, bei dem der Schutz vor einem elektrischen Schlag nicht nur von der Basisisolierung abhängt, sondern auch davon, dass zusätzliche Schutzmaßnahmen, wie doppelte Isolierung oder verstärkte Isolierung, angewendet werden. Es gibt keine Vorrichtung zum Anschluss eines Schutzleiters.

 CE-Zeichen

 Nationales Konformitätszeichen Ukraine

 EurAsian Konformitätszeichen.

**CARACTÉRISTIQUES TECHNIQUES**

	S 2500 E	S 4000 E
Numéro de série.....	4133 58 02... .....4134 32 02... .....000001-999999	4133 61 02... .....4132 24 02... .....000001-999999
Puissance nominale de réception.....	720 W	720 W
Puissance utile.....	360 W	360 W
Vitesse de rotation à vide.....	0-2500 min <sup>-1</sup>	0-4000 min <sup>-1</sup>
Vis autoforeuses jusqu'à maximum.....	6,3 mm	6,3 mm
Vis à six pans (ouverture de clé).....	10 mm	-
Vis fixation rapide jusqu'à maximum.....	5,0 mm	5,0 mm
Porte-outil universel.....	1/4"	1/4"
Poids suivant EPTA-Procédure 01/2003.....	1,5 kg	1,4 kg

**Informations sur le bruit**

Valeurs de mesure obtenues conformément à la EN 60745.

La mesure réelle (A) du niveau de bruit de l'outil est

Niveau de pression acoustique (Incertitude K=3dB(A)).....	86,5 dB (A)	86,5 dB (A)
Niveau d'intensité acoustique (Incertitude K=3dB(A)).....	97,5 dB (A)	97,5 dB (A)

**Toujours porter une protection acoustique!****Informations sur les vibrations**

Valeurs totales des vibrations (somme vectorielle de trois sens) établies conformément à EN 60745.

Valeur d'émission vibratoire a<sub>v</sub>

Vissage.....	< 2,5 m/s <sup>2</sup>	< 2,5 m/s <sup>2</sup>
Incertitude K.....	1,5 m/s <sup>2</sup>	1,5 m/s <sup>2</sup>

**AVERTISSEMENT**

Le niveau vibratoire indiqué dans ces instructions a été mesuré selon un procédé de mesure normalisé dans la norme EN 60745 et peut être utilisé pour comparer des outils électriques entre eux. Il convient aussi à une estimation provisoire de la sollicitation par les vibrations.

Le niveau vibratoire indiqué représente les applications principales de l'outil électrique. Toutefois, si l'outil électrique est utilisé pour d'autres applications, avec des outils rapportés qui diffèrent ou une maintenance insuffisante, il se peut que le niveau vibratoire diverge. Cela peut augmenter nettement la sollicitation par les vibrations sur tout l'intervalle de temps du travail.

Pour une estimation précise de la sollicitation par les vibrations, on devrait également tenir compte des temps pendant lesquels l'appareil n'est pas en marche ou tourne sans être réellement en service. Cela peut réduire nettement la sollicitation par les vibrations sur tout l'intervalle de temps du travail.

Définissez des mesures de sécurité supplémentaires pour protéger l'utilisateur contre l'influence des vibrations, comme par exemple : la maintenance de l'outil électrique et des outils rapportés, le maintien au chaud des mains, l'organisation des déroulements de travail.

**AVIS! Lire complètement les instructions et les indications de sécurité.** Le non-respect des avertissements et instructions indiqués ci après peut entraîner un choc électrique, un incendie et/ou de graves blessures sur les personnes.

**Bien garder tous les avertissements et instructions.**

**CONSIGNES DE SÉCURITÉ POUR VISSEUSE**

**En cas de travaux pendant lesquels l'outil employé pourrait toucher des câbles de courant cachés ou son câble d'alimentation, manier l'appareil à l'aide des surfaces de prise isolées.** Le contact de la vis avec un câble qui conduit la tension peut mettre des parties d'appareil en métal sous tension et mener à une décharge électrique.

**Porter un casque de protection au cours du perçage à percussion.** L'exposition au bruit pourrait provoquer une diminution de l'ouïe.

**AVIS COMPLÉMENTAIRES DE SÉCURITÉ ET DE TRAVAIL**

Utiliser l'équipement de protection. Toujours porter des lunettes de protection pendant le travail avec la machine. Il est recommandé de porter des articles de protection, tels que masque antipoussière, gants de protection, chaussures tenant bien aux pieds et antidérapantes, casque et protection acoustique.

Les poussières qui sont dégagées pendant les travaux sont souvent nocives pour la santé et ne devraient pas pénétrer dans le corps. Porter un masque de protection approprié contre les poussières.

Il est interdit de travailler des matériaux dangereux pour la santé (par ex. amiante).

Désactiver immédiatement le dispositif en cas de blocage ! Ne pas réactiver le dispositif avec l'outil bloqué; il y a le risque de provoquer un contrecoup avec moment de réaction élevé. Établir et éliminer la cause du blocage de l'outil en prêtant attention aux consignes de sécurité.

Les causes possibles sont :

- Encastrement dans la pièce à travailler.
- Le dispositif a traversé le matériau à travailler en le cassant.
- Le dispositif électrique a été surchargé.

Ne pas approcher les mains de la partie en mouvement de la machine.

Durant l'utilisation, l'outil peut se surchauffer.

**AVERTISSEMENT!** Danger de brûlures

- durant le remplacement de l'outil
- durant la dépose de l'outil

Ne jamais enlever les copeaux ni les éclats lorsque la machine est en marche.

Le câble d'alimentation doit toujours se trouver en dehors du champ d'action de la machine. Toujours maintenir le câble d'alimentation à l'arrière de la machine.

Lors du perçage dans les murs, les plafonds ou les planchers, toujours faire attention aux câbles électriques et aux conduites de gaz et d'eau.

Fixer fermement la pièce en exécution à l'aide d'un dispositif de serrage. Des pièces en exécution non fermement fixées peuvent provoquer des dommages et des lésions graves.

Avant tous travaux sur la machine extraire la fiche de la prise de courant.

**UTILISATION CONFORME AUX PRESCRIPTIONS**

La visseuse de construction peut être utilisée pour des travaux de vissage dans le bois et la tôle et pour l'assemblage de pièces métalliques (selon les accessoires montés).

Comme déjà indiqué, cette machine n'est conçue que pour être utilisée conformément aux prescriptions.

**DÉCLARATION CE DE CONFORMITÉ**

Nous déclarons sous notre propre responsabilité que le produit décrit aux „Données techniques“ est conforme à toutes les dispositions des directives 2011/65/EU (RoHS), 2014/30/UE, 2006/42/CE et des documents normatifs harmonisés suivants:

EN 60745-1:2009 + A11:2010  
EN 60745-2-2:2010  
EN 55014-1:2006 + A1:2009 + A2:2011  
EN 55014-2:1997 + A1:2001 + A2:2008  
EN 61000-3-2:2014  
EN 61000-3-3:2013  
EN 50581:2012

Winnenden, 2016-03-29

Alexander Krug  
Managing Director

Autorisé à compiler la documentation technique.

Techtronic Industries GmbH  
Max-Eyth-Straße 10  
71364 Winnenden  
Germany

**BRANCHEMENT SECTEUR**

Les prises de courant se trouvant à l'extérieur doivent être équipées de disjoncteurs différentiel (FI, RCD, PRCD) conformément aux prescriptions de mise en place de votre installation électrique. Veuillez en tenir compte lors de l'utilisation de notre appareil.

Raccorder uniquement à un courant électrique monophasé et uniquement à la tension secteur indiquée sur la plaque signalétique. Le raccordement à des prises de courant sans contact de protection est également possible car la classe de protection II est donnée.

Ne relier l'appareil à la prise de courant que lorsqu'il est débranché.

Il s'agit ici d'un appareil pour l'utilisation professionnelle qui peut dépasser légèrement les valeurs de référence pour les ondes harmoniques du courant lors du branchement au réseau public de basse tension. C'est pourquoi vous devriez contacter le cas échéant votre entreprise compétente en matière d'approvisionnement en énergie avant de brancher l'appareil au réseau public de basse tension.

**ENTRETIEN**

Tenir toujours propres les orifices de ventilation de la machine.

Attention! Lorsque les balais (charbons) sont usés, il est recommandé de faire effectuer, outre le changement des balais (charbons), une inspection dans une station de service après-vente. Ceci augmente la durée de vie de la machine et garantit un fonctionnement permanent de la machine.

Si le câble de raccordement au réseau secteur est endommagé, celui-ci doit être remplacé par un centre de service après-vente, pour éviter les risques.

N'utiliser que des pièces et accessoires AEG. Pour des pièces dont l'échange n'est pas décrit, s'adresser de préférence aux stations de service après-vente AEG (voir

brochure Garantie/Adresses des stations de service après-vente).

Si besoin est, une vue éclatée de l'appareil peut être fournie. S'adresser, en indiquant bien le numéro porté sur la plaque signalétique, à votre station de service après-vente (voir liste jointe) ou directement à Techtronic Industries GmbH, Max-Eyth-Straße 10, 71364 Winnenden, Germany.

**SYMBOLES**

ATTENTION! AVERTISSEMENT! DANGER!



Avant tous travaux sur la machine extraire la fiche de la prise de courant.



Veuillez lire avec soin le mode d'emploi avant la mise en service



Les dispositifs électriques ne sont pas à éliminer dans les déchets ménagers. Les dispositifs électriques et électroniques sont à collecter séparément et à remettre à un centre de recyclage en vue de leur élimination dans le respect de l'environnement. S'adresser aux autorités locales ou au détaillant spécialisé en vue de connaître l'emplacement des centres de recyclage et des points de collecte.



Outil électrique en classe de protection II. Outil électrique équipé d'une protection contre la fulguration électrique qui ne dépend seulement de l'isolation de base mais aussi de l'application d'autres mesures de protection telles qu'une double isolation ou une isolation augmentée. La connexion d'un conducteur de protection n'est pas prédisposée.



Marque CE



Symbole national de conformité Ukraine.



Marque de qualité EurAsian

DATI TECNICI	S 2500 E	S 4000 E
Numero di serie .....	4133 58 02... 4134 32 02... ...000001-999999	4133 61 02... 4132 24 02... ...000001-999999
Potenza assorbita nominale .....	720 W	720 W
Potenza erogata .....	360 W	360 W
Numero di giri a vuoto .....	0-2500 min <sup>-1</sup>	0-4000 min <sup>-1</sup>
Trapano automatico fino a .....	6,3 mm	6,3 mm
Viti esagonali (larghezza chiave) .....	10 mm	-
Viti a fissaggio rapido fino a .....	5,0 mm	5,0 mm
Attacco universale .....	1/4"	1/4"
Peso secondo la procedura EPTA 01/2003 .....	1,5 kg	1,4 kg

#### Informazioni sulla rumorosità

Valori misurati conformemente alla norma EN 60745.

La misurazione A della pressione del livello sonoro di un utensile di solito deve essere

Livello di rumorosità (Incertezza della misura K=3dB(A))..... 86,5 dB (A) ..... 86,5 dB (A)

Potenza della rumorosità (Incertezza della misura K=3dB(A))..... 97,5 dB (A) ..... 97,5 dB (A)

#### Utilizzare le protezioni per l'udito!

#### Informazioni sulle vibrazioni

Valori totali delle oscillazioni (somma di vettori in tre direzioni) misurati conformemente alla norma EN 60745

Valore di emissione dell'oscillazione a<sub>n</sub>

Avvitatura..... < 2,5 m/s<sup>2</sup>..... < 2,5 m/s<sup>2</sup>

Incertezza della misura K..... 1,5 m/s<sup>2</sup>..... 1,5 m/s<sup>2</sup>

#### AVVERTENZA

Il livello di vibrazioni indicato nelle presenti istruzioni è stato misurato in conformità con un procedimento di misurazione codificato nella EN 60745 e può essere utilizzato per un confronto tra attrezzi elettrici. Inoltre si può anche utilizzare per una valutazione preliminare della sollecitazione da vibrazioni.

Il livello di vibrazioni indicato rappresenta le applicazioni principali dell'attrezzo elettrico. Se viceversa si utilizza l'attrezzo elettrico per altri scopi, con accessori differenti o con una manutenzione insufficiente, il livello di vibrazioni può risultare diverso. E questo può aumentare decisamente la sollecitazione da vibrazioni lungo l'intero periodo di lavorazione.

Ai fini di una valutazione precisa della sollecitazione da vibrazioni si dovrebbero tenere presente anche i periodi in cui l'apparecchio rimane spento oppure, anche se acceso, non viene effettivamente utilizzato. Ciò può ridurre notevolmente la sollecitazione da vibrazioni lungo l'intero periodo di lavorazione.

Stabilite misure di sicurezza supplementari per la tutela dell'operatore dall'effetto delle vibrazioni, come ad esempio: manutenzione dell'attrezzo elettrico e degli accessori, riscaldamento delle mani, organizzazione dei processi di lavoro.

**AVVERTENZA! Leggere tutte le istruzioni ed indicazioni di sicurezza.** In caso di mancato rispetto delle avvertenze di pericolo e delle istruzioni operative si potrà creare il pericolo di scosse elettriche, incendi e/o incidenti gravi.  
**Conservare tutte le avvertenze di pericolo e le istruzioni operative per ogni esigenza futura.**

#### INDICAZIONI DI SICUREZZA PER AVVITATORE

**Impugnare l'apparecchio sulle superfici di presa isolate quando eseguite lavori durante i quali l'utensile utilizzato potrebbe entrare in contatto con cavi di corrente nascosti o con il proprio cavo di alimentazione.** La vite che entra in contatto con una conduttura in tensione può mettere sotto tensione le parti metalliche dell'apparecchio e causare scosse elettriche.

**Indossare cuffie protettive durante la trapanatura a percussione.** L'esposizione al rumore potrebbe comportare una riduzione dell'udito.

#### ULTERIORI AVVISI DI SICUREZZA E DI LAVORO

Usare dispositivi di protezione. Durante il lavoro con la macchina bisogna sempre portare occhiali di protezione. Si consiglia di indossare indumenti di protezione come maschera antipolvere, guanti di protezione, scarpe antiscivolo robuste, casco e cuffie di protezione acustica.

La polvere che si produce durante il lavoro è spesso dannosa per la salute e non dovrebbe essere aspirata. Portare un'adeguata mascherina protettiva.

E' vietato lavorare materiali che possono costituire pericoli alla salute (ad es. amianto).

Spegnerne immediatamente il dispositivo in caso di bloccaggio! Non riaccendere il dispositivo fino a quando l'utensile ad inserto resta bloccato; esiste il rischio di causare un contraccolpo con elevato momento di reazione. Rilevare ed eliminare la causa del bloccaggio dell'utensile ad inserto tenendo conto delle indicazioni di sicurezza.

Le possibili cause sono:

- Incastro nel pezzo in lavorazione
- Il dispositivo ha attraversato il materiale da lavorare rompendolo
- Il dispositivo elettrico è stato sovraccaricato

Non avvicinare le mani alla parte della macchina in movimento.

Durante l'uso l'utensile ad inserto può surriscaldarsi.

**AVVERTENZA!** Pericolo di ustioni

- durante la sostituzione dell'utensile
- durante il deposito dell'utensile

Non rimuovere trucioli o schegge mentre l'utensile è in funzione.

Tenere sempre lontano il cavo di collegamento dall'area di lavoro dell'attrezzo.

Forando pareti, soffitti o pavimenti, si faccia attenzione ai cavi elettrici e alle condutture dell'acqua e del gas.

Fissare in sicurezza il pezzo in lavorazione con un dispositivo di serraggio. Pezzi in lavorazione che non siano fissati in sicurezza possono causare gravi lesioni e danni.

Prima di effettuare qualsiasi lavoro sulla macchina togliere la spina dalla presa di corrente.

#### UTILIZZO CONFORME

L'avvitatore è impiegabile per avviture nel legno, nella lamiera e in parti metalliche (a seconda dell'accessorio impiegato).

Utilizzare il prodotto solo per l'uso per cui è previsto.

#### DICHIARAZIONE DI CONFORMITÀ CE

Dichiaro sotto la nostra esclusiva responsabilità che il prodotto descritto ai „Dati tecnici“ corrisponde a tutte le disposizioni delle direttive 2011/65/EU (RoHS), 2014/30/UE, 2006/42/CE e successivi documenti normativi armonizzati:

EN 60745-1:2009 + A11:2010  
EN 60745-2-2:2010  
EN 55014-1:2006 + A1:2009 + A2:2011  
EN 55014-2:1997 + A1:2001 + A2:2008  
EN 61000-3-2:2014  
EN 61000-3-3:2013  
EN 50581:2012

Winnenden, 2016-03-29

*Alexander Krug*

Alexander Krug  
Managing Director



Autorizzato alla preparazione della documentazione tecnica

Techronic Industries GmbH  
Max-Eyth-Straße 10  
71364 Winnenden  
Germany

#### COLLEGAMENTO ALLA RETE

Gli apparecchi mobili usati all'aperto devono essere collegati interponendo un interruttore di sicurezza (FI, RCD, PRCD) per guasti di corrente.

Connettere solo corrente alternata mono fase e solo al sistema di voltaggio indicato sulla piastra. E' possibile anche connettere la presa senza un contatto di messa a terra così come prevede lo schema conforme alla norme di sicurezza di classe II.

Inserire la spina nella presa di corrente solo ad apparecchio spento

Si tratta di un apparecchio per uso professionale che collegato alla rete elettrica pubblica a basso voltaggio può superare leggermente i valori di riferimento per le armoniche di corrente. Pertanto prima di collegare l'apparecchio alla rete elettrica pubblica a basso voltaggio contattare eventualmente la competente impresa erogatrice di energia elettrica.

#### MANUTENZIONE

Tener sempre ben pulite le fessure di ventilazione dell'apparecchio.

Informazione importante! Nel caso che il carboncino si sia consumato oltre il limite di sostituzione è necessario portare l'apparecchio ad un centro di assistenza, onde garantite la massima affidabilità ed efficienza dello stesso.

Se il cavo di allacciamento elettrico è danneggiato, deve essere immediatamente sostituito dal punto di servizio assistenza, perché allo scopo serve un utensile speciale.

Utilizzare esclusivamente accessori e pezzi di ricambio AEG. L'installazione di pezzi di ricambio non specificamente prescritti dall'AEG va preferibilmente effettuata dal servizio di assistenza clienti AEG (ved. opuscolo Garanzia/Indirizzi Assistenza tecnica).

In caso di mancanza del disegno esploso, può essere richiesto al seguente indirizzo: Techronic Industries GmbH, Max-Eyth-Straße 10, 71364 Winnenden, Germany.

#### Simboli

ATTENZIONE! AVVERTENZA! PERICOLO!

Prima di effettuare qualsiasi lavoro sulla macchina togliere la spina dalla presa di corrente.

Leggere attentamente le istruzioni per l'uso prima di mettere in funzione l'elettro utensile.

I dispositivi elettrici non devono essere smaltiti con i rifiuti domestici.

I dispositivi elettrici ed elettronici devono essere raccolti separatamente e devono essere conferiti ad un centro di riciclaggio per lo smaltimento rispettoso dell'ambiente.

Chiedere alle autorità locali o al rivenditore specializzato dove si trovano i centri di riciclaggio e i punti di raccolta.

Utensile elettrico di classe di protezione II.

Utensile elettrico sul quale la protezione contro la folgorazione elettrica non dipende soltanto dall'isolamento di base, ma anche dall'applicazione di ulteriori misure di protezione, come il doppio isolamento o l'isolamento maggiorato.

Non è predisposto il collegamento di un conduttore di protezione.

Marchio CE

Marchio di conformità EurAsian

#### SYMBOLS



ACHTUNG! WARNUNG! GEFAHR!



Vor allen Arbeiten an der Maschine Stecker aus der Steckdose ziehen.



Bitte lesen Sie die Gebrauchsanweisung vor Inbetriebnahme sorgfältig durch.



Elektrogeräte dürfen nicht zusammen mit dem Hausmüll entsorgt werden. Elektrische und elektronische Geräte sind getrennt zu sammeln und zur umweltgerechten Entsorgung bei einem Verwertungsbetrieb abzugeben. Erkundigen Sie sich bei den örtlichen Behörden oder bei Ihrem Fachhändler nach Recyclinghöfen und Sammelstellen.



Elektrowerkzeug der Schutzklasse II. Elektrowerkzeug, bei dem der Schutz vor einem elektrischen Schlag nicht nur von der Basisisolierung abhängt, sondern auch davon, dass zusätzliche Schutzmaßnahmen, wie doppelte Isolierung oder verstärkte Isolierung, angewendet werden. Es gibt keine Vorrichtung zum Anschluss eines Schutzleiters.



CE-Zeichen



Simbolo di conformità nazionale Ucraina



EurAsian Konformitätszeichen.

## DATOS TÉCNICOS

	S 2500 E	S 4000 E
Número de producción .....	4133 58 02... ..4133 61 02...	4133 61 02... ..4133 61 02...
.....	4134 32 02... ..4132 24 02...	4132 24 02... ..4132 24 02...
.....	...000001-999999	...000001-999999
Potencia de salida nominal.....	720 W .....	720 W .....
Potencia entregada .....	360 W .....	360 W .....
Velocidad en vacío .....	0-2500 min <sup>-1</sup> .....	0-4000 min <sup>-1</sup> .....
Tornillos autoperforantes hasta un máx. de.....	6,3 mm .....	6,3 mm .....
Tornillos Allen (tamaño de llave).....	10 mm .....	10 mm .....
Tornillos de pared seca hasta máx. ....	5,0 mm .....	5,0 mm .....
Admisión universal .....	1/4" .....	1/4" .....
Peso de acuerdo con el procedimiento EPTA 01/2003 .....	1,5 kg .....	1,4 kg .....

### Información sobre ruidos

Determinación de los valores de medición según norma EN 60745.

La presión acústica se eleva normalmente

Presión acústica (Tolerancia K=3dB(A)).....	86,5 dB (A) .....	86,5 dB (A) .....
Resonancia acústica (Tolerancia K=3dB(A)).....	97,5 dB (A) .....	97,5 dB (A) .....

### Usar protectores auditivos!

### Informaciones sobre vibraciones

Nivel total de vibraciones (suma vectorial de tres direcciones) determinado según EN 60745.

Valor de vibraciones generadas a<sub>v</sub>

tornillos .....	< 2,5 m/s <sup>2</sup> .....	< 2,5 m/s <sup>2</sup> .....
Tolerancia K.....	1,5 m/s <sup>2</sup> .....	1,5 m/s <sup>2</sup> .....

### ADVERTENCIA

El nivel vibratorio indicado en estas instrucciones ha sido medido conforme a un método de medición estandarizado en la norma EN 60745, y puede utilizarse para la comparación entre herramientas eléctricas. También es apropiado para una estimación provisional de la carga de vibración.

El nivel vibratorio indicado representa las aplicaciones principales de la herramienta eléctrica. Si, pese a ello, se utiliza la herramienta eléctrica para otras aplicaciones, con útiles adaptables diferentes o con un mantenimiento insuficiente, el nivel vibratorio puede diferir. Esto puede incrementar sensiblemente la carga de vibración durante todo el periodo de trabajo.

Para una estimación exacta de la carga de vibración deberían tenerse en cuenta también los tiempos durante los que el aparato está apagado o, pese a estar en funcionamiento, no está siendo realmente utilizado. Esto puede reducir sustancialmente la carga de vibración durante todo el periodo de trabajo.

Adopte medidas de seguridad adicionales para la protección del operador frente al efecto de las vibraciones, como por ejemplo: mantenimiento de la herramienta eléctrica y de los útiles adaptables, mantener las manos calientes, organización de los procesos de trabajo.

**⚠ ATENCIÓN: Lea atentamente las indicaciones e instrucciones de seguridad.** En caso de no atenderse a las advertencias de peligro e instrucciones siguientes, ello puede ocasionar una descarga eléctrica, un incendio y/o lesión grave.

**Guarda todas las advertencias de peligro e instrucciones para futuras consultas.**

### ⚠ INDICACIONES DE SEGURIDAD PARA ATORNILLADOR

**Sujete el aparato de las superficies aisladas de agarre al efectuar trabajos en los que el útil pueda entrar en contacto con conductores eléctricos ocultos o con el propio cable del aparato.** El contacto del tornillo con una línea conductora de corriente puede poner las partes metálicas del aparato bajo tensión y provocar un choque eléctrico.

**Utilice protectores de oídos al taladrar con percusión.** La exposición a niveles de ruido excesivos puede causar la pérdida de audición.

### INSTRUCCIONES ADICIONALES DE SEGURIDAD Y LABORALES

Utilice el equipamiento de protección. Mientras trabaje con la máquina lleve siempre gafas protectoras. Se recomienda utilizar ropa de protección como máscara protectora contra el polvo, guantes protectores, calzado resistente y antideslizante, casco y protección para los oídos.

El polvo que se produce durante estos trabajos puede ser nocivo a la salud; es por ello aconsejable que no penetre al cuerpo. Utilice por ello una máscara protectora contra polvo.

No se deben trabajar materiales que conlleven un riesgo para la salud (por ej. amianto).

¡En caso de que se bloquee el útil, el aparato se debe desconectar inmediatamente! No vuelva a conectar el aparato, mientras el útil esté bloqueado; se podría producir un rechazo debido a la reacción de retroceso brusca. Averigüe y elimine la causa del bloqueo del útil, teniendo en cuenta las indicaciones de seguridad.

Causas posibles para ello pueden ser:

- Atascamiento o bloqueo en la pieza de trabajo
- Rotura del material con el que está trabajando
- Sobrecarga de la herramienta eléctrica

No introduzca las manos en la máquina mientras ésta se encuentra en funcionamiento.

El útil se puede calentar durante el uso.

**ADVERTENCIA!** Peligro de quemaduras

- en caso de cambiar la herramienta
- en caso de depositar el aparato

Nunca se debe intentar limpiar el polvo o viruta procedente del taladrado con la máquina en funcionamiento.

Mantener siempre el cable separado del radio de acción de la máquina.

Para trabajar en paredes, techo o suelo, tenga cuidado para evitar los cables eléctricos y tuberías de gas o agua.

Fije la pieza de trabajo con un dispositivo de fijación. Las piezas de trabajo no fijadas pueden causar lesiones graves y deterioros.

Desconecte siempre el enchufe antes de llevar a cabo cualquier trabajo en la máquina.

## APLICACIÓN DE ACUERDO A LA FINALIDAD

El atornillador se puede usar para atornillar en madera o metal.

No utilice este producto para ninguna otra aplicación que no sea su uso normal.

## DECLARACION DE CONFORMIDAD CE

Declaramos bajo nuestra responsabilidad que el producto descrito bajo "Datos técnicos" está en conformidad con todas las normas relevantes de la directiva 2011/65/EU (RoHS), 2014/30/UE, 2006/42/CE y con las siguientes normas o documentos normalizados:

EN 60745-1:2009 + A11:2010  
EN 60745-2-2:2010  
EN 55014-1:2006 + A1:2009 + A2:2011  
EN 55014-2:1997 + A1:2001 + A2:2008  
EN 61000-3-2:2014  
EN 61000-3-3:2013  
EN 50581:2012

Winnenden, 2016-03-29

Alexander Krug  
Managing Director



Autorizado para la redacción de los documentos técnicos.

Techtronic Industries GmbH  
Max-Eyth-Straße 10  
71364 Winnenden  
Germany

## CONEXIÓN ELÉCTRICA

Conecte siempre la máquina a una red protegida por interruptor diferencial y magnetotérmico (FI, RCD, PRCD), para su seguridad personal, según normas establecidas para instalaciones eléctricas de baja tensión.

Conectar solamente a corriente AC monofásica y sólo al voltaje indicado en la placa de características. También es posible la conexión a enchufes sin toma a tierra, dado que es conforme a la Clase de Seguridad II.

Asegurarse que la máquina está desconectada antes de enchufarla.

Este es un aparato destinado al empleo profesional el cual puede exceder ligeramente los valores orientativos para armónicas de corriente al efectuar la conexión del mismo a la red pública de baja tensión. Aconsejamos por ello ponerse en caso dado en contacto con la empresa de suministro de energía competente antes de conectar el aparato.

## MANTENIMIENTO

Las ranuras de ventilación de la máquina deben estar despejadas en todo momento.

Cuando el martillo ha gastado las escobillas nunca se deberán sustituir: el martillo deberá ser enviado a un servicio técnico oficial para efectuarle un mantenimiento de servicio. De esta única manera queda garantizado el perfecto funcionamiento y duración de la máquina.

Si el cable de conexión a la red estuviera dañado, deberá ser sustituido en un punto de servicio técnico, para evitar situaciones de peligro.

Solo se deben utilizar accesorios y piezas de repuestos AEG. Piezas cuyo reemplazo no está descrito en las instrucciones de uso, deben sustituirse en un centro de asistencia técnica AEG (Consulte el folleto Garantía/ Direcciones de Centros de Asistencia Técnica).

En caso necesario, puede solicitar un despiece de la herramienta. Por favor indique el número de impreso que hay en la etiqueta y pida el despiece a la siguiente dirección: Techtronic Industries GmbH, Max-Eyth-Straße 10, 71364 Winnenden, Germany.

## SÍMBOLOS



¡ATENCIÓN! ¡ADVERTENCIA! ¡PELIGRO!



Desconecte siempre el enchufe antes de llevar a cabo cualquier trabajo en la máquina.



Lea las instrucciones detenidamente antes de conectar la herramienta



Los aparatos eléctricos no se deben eliminar junto con la basura doméstica. Los aparatos eléctricos y electrónicos se deben recoger por separado y se deben entregar a una empresa de reciclaje para una eliminación respetuosa con el medio ambiente.

Infórmese en las autoridades locales o en su tienda especializada sobre los centros de reciclaje y puntos de recogida.



Herramienta eléctrica de la clase de protección II. Herramientas eléctricas, en las que la protección contra un choque eléctrico no depende solamente del aislamiento básico sino también de la aplicación de medidas adicionales de protección, como doble aislamiento o aislamiento reforzado. No existe dispositivo para la conexión de un conductor protector.



Marca CE



Marca de conformidad nacional de Ucrania



certificado EAC de conformidad

**CARACTERÍSTICAS TÉCNICAS**

	S 2500 E	S 4000 E
Número de produção.....	4133 58 02... .....4134 32 02... .....000001-999999	4133 61 02... .....4132 24 02... .....000001-999999
Potência absorvida nominal.....	720 W	720 W
Potência de saída.....	360 W	360 W
Nº de rotações em vazio.....	0-2500 min <sup>-1</sup>	0-4000 min <sup>-1</sup>
Parafusos auto-perurantes até max. de.....	6,3 mm	6,3 mm
Parafusos Allen (largura da chave).....	10 mm	10 mm
Parafusos autoroscantes até máx. de.....	5,0 mm	5,0 mm
Recepção universal.....	1/4"	1/4"
Peso nos termos do procedimento-EPTA 01/2003.....	1,5 kg	1,4 kg

**Informações sobre ruído**

Valores de medida de acordo com EN 60745.

Normalmente o nível de pressão de ruído da ferramenta é

Nível da pressão de ruído (Incertez K=3dB(A)).....	86,5 dB (A)	86,5 dB (A)
Nível da potência de ruído (Incertez K=3dB(A)).....	97,5 dB (A)	97,5 dB (A)

**Use protectores auriculares!****Informações sobre vibração**

Valores totais de vibração (soma dos vectores das três direcções) determinadas conforme EN 60745.

Valor de emissão de vibração a<sub>v</sub>

Parafusos.....	< 2,5 m/s <sup>2</sup>	< 2,5 m/s <sup>2</sup>
Incerteza K.....	1,5 m/s <sup>2</sup>	1,5 m/s <sup>2</sup>

**ATENÇÃO**

O nível vibratório indicado nestas instruções foi medido em conformidade com um procedimento de medição normalizado na EN 60745 e pode ser utilizado para comparar entre si ferramentas eléctricas. O mesmo é também adequado para avaliar provisoriamente o esforço vibratório.

O nível vibratório indicado representa as principais aplicações da ferramenta eléctrica. Se, no entanto, a ferramenta eléctrica for utilizada para outras aplicações, com outras ferramentas adaptadas ou uma manutenção insuficiente, o nível vibratório poderá divergir. Isto pode aumentar consideravelmente o esforço vibratório ao longo de todo o período do trabalho.

Para uma avaliação exacta do esforço vibratório devem também ser considerados os tempos durante os quais o aparelho está desligado ou está a funcionar, mas não está efectivamente a ser utilizado. Isto pode reduzir consideravelmente o esforço vibratório ao longo de todo o período do trabalho.

Defina medidas de segurança suplementares para proteger o operador do efeito das vibrações, como por exemplo: manutenção da ferramenta eléctrica e das ferramentas adaptadas, manter as mãos quentes, organização das sequências de trabalho.

**⚠ ADVERTÊNCIA! Leia todas as instruções de segurança e todas as instruções.** O desrespeito das advertências e instruções apresentadas abaixo pode causar choque eléctrico, incêndio e/ou graves lesões. **Guarde bem todas as advertências e instruções para futura referência.**

**⚠ AVISOS DE SEGURANÇA PARA A APARAFUSADORA**

**Segure o aparelho nos manipulados isolados, quando estiver a executar trabalhos nos quais é possível que a ferramenta entre em contacto com condutores eléctricos ocultos ou o seu próprio cabo.** O contacto do parafuso com uma linha sob tensão pode também colocar peças metálicas do aparelho sob tensão e provocar um choque eléctrico.

**Use uma protecção dos ouvidos ao usar o berbequim de percussão.** Os ruídos podem causar surdez.

**INSTRUÇÕES DE SEGURANÇA E TRABALHO SUPLEMENTARES**

Utilizar equipamento de protecção. Durante os trabalhos com a máquina, usar sempre óculos de protecção. Vestuário de protecção, bem como máscara de pó, sapatos fechados e antiderrapante, capacete e protecção auditiva são recomendados.

O pó que resulta ao trabalhar pode ser nocivo para a saúde, por isso não devendo penetrar no corpo. Use uma máscara de protecção contra pó apropriada.

Não devem ser procesados materiais que representem um perigo para a saúde (p. ex. asbesto).

Desligue o aparelho imediatamente, quando a ferramenta de inserção bloquear! Não ligue o aparelho novamente durante o bloqueio da ferramenta de inserção, pois isso pode levar a um recuo repentino com uma alta força reactiva. Verifique e elimine a causa do bloqueio da ferramenta de inserção, observando as instruções de segurança.

Causas possíveis podem ser:

- Emperramento na peça a trabalhar
- Material a processar rompido
- Sobrecarga da ferramenta eléctrica

Não toque na máquina em operação.

A ferramenta de inserção pode ficar quente durante a operação.

**ATENÇÃO!** Perigo de queimar-se

- na troca das ferramentas
- ao depositar o aparelho

Não remover aparas ou lascas enquanto a máquina trabalha.

Manter sempre o cabo de ligação fora da zona de acção da máquina.

Ao trabalhar em paredes, tectos e soalhos prestar atenção a que não sejam atingidos cabos eléctricos e canalizações de gás e água.

Fixe a peça a trabalhar com um dispositivo de fixação. Peças a trabalhar não fixadas podem levar a feridas graves e danos sérios.

Antes de efectuar qualquer intervenção na máquina, tirar a ficha da tomada.

**UTILIZAÇÃO AUTORIZADA**

A aparafusadora serve para enroscar parafusos em madeira ou chapa e para aparafusar peças metálicas (conforme o acessório utilizado).

Não use este produto de outra maneira sem ser a normal para a qual foi concebido.

**DECLARAÇÃO DE CONFORMIDADE CE**

Declaramos sob responsabilidade exclusiva, que o produto descrito sob „Dados técnicos“ corresponde com todas as disposições relevantes da diretiva 2011/65/EU (RoHs), 2014/30/UE, 2006/42/CE e dos seguintes documentos normativos harmonizados.

EN 60745-1:2009 + A11:2010  
EN 60745-2-2:2010  
EN 55014-1:2006 + A1:2009 + A2:2011  
EN 55014-2:1997 + A1:2001 + A2:2008  
EN 61000-3-2:2014  
EN 61000-3-3:2013  
EN 50581:2012

Winnenden, 2016-03-29

*Alexander Krug*

Alexander Krug  
Managing Director



Autorizado a reunir a documentação técnica.

Techtronic Industries GmbH  
Max-Eyth-Straße 10  
71364 Winnenden  
Germany

**LIGAÇÃO À REDE**

Aparelhos não estacionários, utilizados ao ar livre, devem ser protegidos por um disjuntor de corrente de defeito (FI,RCD,PRCD).

Só conectar à corrente alternada monofásica e só à tensão de rede indicada na placa de potência. A conexão às tomadas de rede sem contacto de segurança também é possível, pois trata-se duma construção da classe de protecção II.

Ao ligar o aspirador à rede, o interruptor deve encontrar-se na posição de desligado.

Este aparelho destina-se à utilização profissional e pode exceder um pouco os valores de orientação para ondas de corrente superiores na conexão à rede pública de baixa tensão. Por isso, eventualmente contacte a sua empresa de abastecimento de energia eléctrica competente antes de conectar o aparelho à rede pública de baixa tensão

**MANUTENÇÃO**

Manter desobstruídos os rasgos de ventilação na carcaça da máquina.

Se as escovas de carvão estão gastas, adicionalmente a mudança das mesmas e ferramenta deve ser submetida a assistência. Isto irá assegurar longo tempo de vida útil bem como constante prontidão da máquina para o trabalho.

Se o cabo de alimentação eléctrica estiver danificado, este deverá ser substituído junto de um serviço de assistência ao cliente dado, que será necessário utilizar ferramentas especiais.

Utilizar unicamente acessórios e peças sobressalentes da AEG. Sempre que a substituição de um componente não tenha sido descrita nas instruções, será de toda a conveniência mandar executar esse trabalho a um Serviço de Assistência AEG (veja o folheto Garantia/Endereços de Serviços de Assistência).

A pedido e mediante indicação da referência que consta da chapa de características da máquina, pode requerer-se um desenho explosivo da ferramenta eléctrica a: Techtronic Industries GmbH, Max-Eyth-Straße 10, 71364 Winnenden, Germany.

**SYMBOLE**

ATENÇÃO! PERIGO!



Antes de efectuar qualquer intervenção na máquina, tirar a ficha da tomada.



Leia atentamente o manual de instruções antes de colocar a máquina em funcionamento.



Aparelhos eléctricos não devem ser jogados no lixo doméstico. Aparelhos eléctricos e electrónicos devem ser colectados separadamente e entregues a uma empresa de reciclagem para a eliminação correcta. Solicite informações sobre empresas de reciclagem e postos de colecta de lixo das autoridades locais ou do seu vendedor autorizado.



Ferramenta eléctrica da classe de protecção II. Ferramenta eléctrica, na qual a protecção contra choque eléctrico não só depende do isolamento básico, mas também da aplicação de medidas de protecção suplementares, como isolamento duplo ou reforçado. Não há um dispositivo para a conexão dum condutor de protecção.



Marca CE



Marca de conformidade nacional da Ucrânia



Marca de conformidade EurAsian.

**TECHNISCHE GEGEVENS****S 2500 E****S 4000 E**

Productienummer .....	4133 58 02... ..	4133 61 02... ..
.....	4134 32 02... ..	4132 24 02... ..
.....	...000001-999999	...000001-999999
Nominaal afgegeven vermogen.....	720 W .....	720 W .....
Afgegeven vermogen .....	360 W .....	360 W .....
Onbelast toerental .....	0-2500 min <sup>-1</sup> .....	0-4000 min <sup>-1</sup> .....
Zelfborende schroeven tot max. ....	6,3 mm .....	6,3 mm .....
Zeskantschroeven (sleutelwijdte) .....	10 mm .....	10 mm .....
Snelbouwschroeven tot max. ....	5,0 mm .....	5,0 mm .....
Universele houderopname .....	1/4" .....	1/4" .....
Gewicht volgens de EPTA-procedure 01/2003 .....	1,5 kg .....	1,4 kg .....

**Geluidsinformatie**

Meetwaarden vastgesteld volgens EN 60745.

Het kenmerkende A-gewaardeerde geluidsdruk-niveau van de machine bedraagt

Geluidsdruk-niveau (Onzekerheid K=3dB(A)) .....	86,5 dB (A) .....	86,5 dB (A) .....
Geluidsvermogen-niveau (Onzekerheid K=3dB(A)) .....	97,5 dB (A) .....	97,5 dB (A) .....

**Draag oorbeschermers!****Trillingsinformatie**

Totale trillingswaarden (vectorsom van drie richtingen) bepaald volgens EN 60745.

Trillingsemisiewaarde a <sub>n</sub>		
Schroeven .....	< 2,5 m/s <sup>2</sup> .....	< 2,5 m/s <sup>2</sup> .....
Onzekerheid K .....	1,5 m/s <sup>2</sup> .....	1,5 m/s <sup>2</sup> .....

**WAARSCHUWING**

De in deze aanwijzingen vermelde trillingsdruk is gemeten volgens een in EN 60745 genormeerde meetmethode en kan worden gebruikt voor de onderlinge vergelijking van apparaten. Hij is ook geschikt voor een voorlopige inschatting van de trillingsbelasting.

De aangegeven trillingsdruk geldt voor de meest gebruikelijke toepassingen van het elektrische apparaat. Wanneer het elektrische gereedschap echter voor andere doeleinden, met andere dan de voorgeschreven hulpstukken gebruikt of niet naar behoren onderhouden wordt, kan de trillingsdruk afwijken. Dit kan de waarde van de trillingsdruk over de hele werkperiode aanzienlijk verhogen.

Voor een nauwkeurige inschatting van de trillingsdruk moeten ook de tijden in aanmerking worden genomen dat het apparaat uitgeschakeld is of weliswaar loopt, maar niet werkelijk in gebruik is. Dit kan de waarde van de trillingsdruk over de hele werkperiode aanzienlijk verminderen.

Bepaal extra veiligheidsmaatregelen ter bescherming van de bediener tegen de inwerking van trillingen, bijvoorbeeld: onderhoud van elektrische gereedschappen en apparaten, warmhouden van de handen, organisatie van de werkprocessen.

**WAARSCHUWING! Lees alle veiligheidsinstructies en aanwijzingen.** Als de waarschuwingen en voorschriften niet worden opgevolgd, kan dit een elektrische schok, brand of ernstig letsel tot gevolg hebben.

**Bewaar alle waarschuwingen en voorschriften voor toekomstig gebruik.**

**VEILIGHEIDSinSTRUCTIES VOOR SCHROEVENDRAAIERS**

**Houd het apparaat alléén aan de geïsoleerde grijpvlakken vast, wanneer u werkzaamheden uitvoert waarbij het gereedschap verborgen stroomleidingen of de eigen apparaatkabel zou kunnen raken.** Het contact van de schroef met een spanningvoerende leiding kan de metalen apparaatdelen onder spanning zetten en zo tot een elektrische schok leiden.

**Draag gehoorbescherming tijdens het klopboren.** Lawaai kan gehoorverlies veroorzaken.

**VERDERE VEILIGHEIDS- EN WERKINSTRUCTIES**

Draag veiligheidsuitrusting. Bij werkzaamheden met de machine dient u altijd een veiligheidsbril te dragen. Veiligheidskleding zoals stofmasker, veiligheidshandschoenen, stevig en slipvast schoeisel, helm en gehoorbescherming worden aanbevolen.

Het gedurende het werken vrijkomende stof is doorgaans schadelijk voor de gezondheid en mag niet met het lichaam in aanraking komen. Draag derhalve een geschikt stofbeschermingsmasker.

Het is niet toegestaan, materialen te bewerken waarvan een gezondheidsgevaar uitgaat (bijv. asbest).

Schakel het apparaat onmiddellijk uit als het gereedschap blokkeert! Schakel het apparaat niet in zolang het gereedschap geblokkeerd is; dit zou een terugslag met een hoog reactiemoment kunnen veroorzaken. Achterhaal en verhelp de oorzaak voor de blokkering van het gereedschap met inachtneming van de veiligheidsinstructies.

Mogelijke oorzaken voor de blokkering:

- kantelen in het te bewerken werkstuk
- doorbreken van het te bewerken materiaal
- overbelasting van het elektrische gereedschap

Grijp niet in de lopende machine.

Het gereedschap kan heet worden tijdens het gebruik.

**WAARSCHUWING!** Gevaar voor verbranding

- bij het vervangen van het gereedschap
- bij het neerleggen van het apparaat

Spanen of splinters mogen bij draaiende machine niet worden verwijderd.

Snoer altijd buiten werkbereik van de machine houden.

Bij het werken in wanden, plafonds of vloeren oppassen voor elektriciteitsdraden, gas- of waterleidingen.

Borg uw werkstuk met behulp van een spaninrichting. Niet geborgde werkstukken kunnen ernstig letsel en grote schade veroorzaken.

Voor alle werkzaamheden aan de machine de stekker uit de kontaktdoos trekken.

**VOORGESCHREVEN GEBRUIK VAN HET SYSTEEM**

De bouwschroevendraaier is geschikt voor schroeven in hout en blik en voor het verschroeven van metaaldelen (afhankelijk van de gebruikte toebehoren).

Dit apparaat uitsluitend gebruiken voor normaal gebruik, zoals aangegeven.

**EC - VERKLARING VAN OVEREENSTEMMING**

Wij verklaren in uitsluitende verantwoording dat het onder 'Technische gegevens' beschreven product overeenstemt met alle relevante voorschriften van de richtlijn 2011/65/EU (RoHS), 2014/30/EU, 2006/42/EG en de volgende geharmoniseerde normatieve documenten:

EN 60745-1:2009 + A11:2010  
 EN 60745-2-2:2010  
 EN 55014-1:2006 + A1:2009 + A2:2011  
 EN 55014-2:1997 + A1:2001 + A2:2008  
 EN 61000-3-2:2014  
 EN 61000-3-3:2013  
 EN 50581:2012

Winnenden, 2016-03-29

*Alexander Krug*

Alexander Krug  
 Managing Director



Gemachtigd voor samenstelling van de technische documenten

Techtronic Industries GmbH  
 Max-Eyth-Straße 10  
 71364 Winnenden  
 Germany

**NETAANSLUITING**

Verplaatsbaar gereedschap moet bij het gebruik buiten aan een aardlekschakelaar (FI,RCD,PRCD) aangesloten worden.

Uitsluitend op éénfase-wisselstroom en uitsluitend op de op het typeplaatje aangegeven netspanning aansluiten. Aansluiting is ook mogelijk op een stekerdoos zonder aardcontact mogelijk, omdat het is ontworpen volgens veiligheidsklasse II.

Machine alleen uitgeschakeld aan de stekkerdoos aansluiten.

Dit is een apparaat voor professioneel gebruik, hetgeen de richtwaarden voor harmonischen bij de aansluiting op het openbare laagspanningsnet minimaal kan overschrijden. Neem daarom vóór de aansluiting van het apparaat op het openbare laagspanningsnet eventueel contact op met het voor u verantwoordelijke nutsbedrijf.

**ONDERHOUD**

Altijd de lichtspleten van de machine schoonhouden.

Belangrijke tip! Versleten koolborstels tijdig door een service-werkplaats laten vervangen. Dit verhoogt de levensduur van de machine en garandeert dat de machine altijd direkt klaar is voor gebruik.

Wanneer de netkabel beschadigd is, moet deze door een klantenservice worden vervangen, omdat daarvoor speciaal gereedschap vereist is.

Alleen AEG toebehoren en onderdelen gebruiken. Onderdelen welke niet vermeld worden, kunnen het beste door de AEG servicedienst verwisseld worden (zie Serviceadressen).

Onder vermelding van het nummer op het machineplaatje is desgewenst een doorsnedetekening van de machine verkrijgbaar bij: Techtronic Industries GmbH, Max-Eyth-Straße 10, 71364 Winnenden, Germany.

**SYMBOLEN**

OPGELET! WAARSCHUWING! GEVAAR!



Voor alle werkzaamheden aan de machine de stekker uit de kontaktdoos trekken.



Graag instructies zorgvuldig doorlezen vóórdat u de machine in gebruik neemt.



Elektrische apparaten mogen niet via het huisafval worden afgevoerd. Elektrische en elektronische apparaten moeten gescheiden worden verzameld en voor een milieuvriendelijke afvoer worden afgegeven bij een recyclingbedrijf. Informeer bij uw gemeente of bij uw vakhandelaar naar recyclingbedrijven en inzamelpunten.



Elektrisch gereedschap van de beschermingsklasse II. Elektrisch gereedschap waarbij de bescherming tegen elektrische schokken niet afhankelijk is van de basisisolatie, maar waarin ook extra veiligheidsmaatregelen worden toegepast zoals dubbele of versterkte isolatie. Er is geen voorziening voor de aansluiting van een aardleiding.



CE-keurmerk



Nationaal symbool van overeenstemming Oekraïne



EurAsian-symbool van overeenstemming.



**TEKNISKE DATA** **S 2500 E** **S 4000 E**

Produktionsnummer .....	4133 58 02... ..	4133 61 02... ..
.....	4134 32 02... ..	4132 24 02... ..
.....	...000001-999999	...000001-999999
Nominel optagen effekt.....	720 W .....	720 W .....
Afgiven effekt.....	360 W .....	360 W .....
Omdrejningstal, ubelastet.....	0-2500 min <sup>-1</sup> .....	0-4000 min <sup>-1</sup> .....
Selvborende skruer indtil max.....	6,3 mm .....	6,3 mm .....
Franske skruer (nøglestr.) .....	10 mm .....	10 mm .....
montageskruer til max.....	5,0 mm .....	5,0 mm .....
Universal værktøjsholder.....	1/4" .....	1/4" .....
Vægt svarer til EPTA-procedure 01/2003.....	1,5 kg.....	1,4 kg .....

**Støjinformation**

Måleværdier beregnes iht. EN 60745.  
 Værktøjets A-vægtede lydtrykniveau er typisk  
 Lydtrykniveau (Usikkerhed K=3dB(A)) ..... 86,5 dB (A) ..... 86,5 dB (A)  
 Lydeffekt niveau (Usikkerhed K=3dB(A))..... 97,5 dB (A) ..... 97,5 dB (A)

**Brug høreværn!**

**Vibrationsinformation**

Samlede vibrationsværdier (værdisum for tre retninger) beregnet iht. EN 60745.

Vibrationseksponering a <sub>v</sub>		
Skrurning .....	< 2,5 m/s <sup>2</sup> .....	< 2,5 m/s <sup>2</sup> .....
Usikkerhed K .....	1,5 m/s <sup>2</sup> .....	1,5 m/s <sup>2</sup> .....

**ADVARSEL**

Svingningsniveauet, som er angivet i disse anvisninger, er målt i henhold til standardiseret måleprocedure ifølge EN 60745 og kan anvendes til indbyrdes sammenligning mellem el-værktøjer. Svingningsniveauet er ligeledes egnet som foreløbigt skøn over svingningsbelastningen.

Det angivne svingningsniveau er baseret på el-værktøjets primære anvendelsesformål. Hvis el-værktøjet benyttes til andre formål, med andet indsatsværktøj eller ikke vedligeholdes tilstrækkeligt, kan svingningsniveauet afvige. Dette kan øge svingningsbelastningen over den samlede arbejdsperiode betydeligt.

For en nøjagtig vurdering af svingningsbelastningen skal der også tages højde for de tidsperioder, hvor apparatet er slukket, eller hvor apparatet kører, men uden at være i anvendelse. Dette kan reducere svingningsbelastningen over den samlede arbejdsperiode betydeligt.

Supplerende sikkerhedsforanstaltninger til beskyttelse af brugeren mod påvirkninger fra svingninger skal iværksættes, f.eks.: Vedligeholdelse af el-værktøj og indsatsværktøj, varmholdelse af hænder, organisering af arbejdsprocesser.

**ADVARSEL! Læs alle sikkerhedsinformationer og instruktioner.** I tilfælde af manglende overholdelse af advarselshenvisningerne og instrukserne er der risiko for elektrisk stød, brand og/eller alvorlige kvæstelser. **Opbevar alle advarselshenvisninger og instrukser til senere brug.**

**SIKKERHEDSINSTRUKTIONER FOR SKRUEMASKINE**

**Hold kun maskinen fast i de isolerede gribeplader, når du udfører arbejder, hvor indsatsværktøjet kan ramme skjulte strømledninger eller værktøjets egen ledning.** Skruekontakt med en spændingsførende ledning kan sætte metalliske maskindele under spænding og medføre elektrisk stød.

**Brug høreværn under slagboring.** Støjen kan føre til nedsat hørelse.

**YDERLIGERE SIKKERHEDS- OG ARBEJDSINFORMATIONER**

Brug beskyttelsesudstyr. Bær altid sikkerhedsbriller, når du arbejder med maskinen. Vi anbefaler desuden brug af personlig beskyttelsesudrustning, såsom støvmaske, sikkerhedshandsker, fast og skridsikkert skotøj, hjelm og høreværn.

Støv, som opstår under arbejdet, er ofte sundhedsfarligt og bør ikke trænge ind i kroppen. Benyt egnet åndedrætsværn.

Der må ikke bearbejdes nogen materialer, der kan udgøre en sundhedsrisiko (f.eks. asbest).

Sluk straks for maskinen, hvis indsatsværktøjet er blokeret! Tænd ikke for maskinen igen, så længe indsatsværktøjet er

blokeret; dette kan føre til et tilbageslag med højt reaktionsmoment. Find frem til og afhjælp årsagen til indsatsværktøjets blokering under hensyntagen til sikkerhedsinstruktionerne.

Mulige årsager hertil kan være:  
 • at det sidder i klemme i emnet der bearbejdes  
 • at det har brækket materialet der bearbejdes  
 • at el-værktøjet er overbelastet

Grib ikke ind i maskinen, når den kører.

Indsatsværktøjet kan blive varmt under brugen.

**ADVARSEL!** Fare for forbrændinger

- ved værktøjsskift
- når man lægger maskinen fra sig

Spåner eller splinter må ikke fjernes, medens maskinen kører.

Tilslutningskablet holdes hele tiden væk fra maskinens arbejdsområde. Kablet ledes altid bort bag om maskinen.

Ved arbejdsboring i væg, loft eller gulv skal man passe på elektriske kabler, gas- og vandledninger.

Sørg for at sikre dit emne med en spændeanordning. Ikke sikrede emner kan forårsage alvorlige kvæstelser og beskadigelser.

Før ethvert arbejde ved maskinen skal stikket tages ud af stikdåsen.

**TILTÆNKT FORMÅL**

Byggeskruetrækkeren kan både anvendes til skruring i træ og metal og til sammenskruring af metaldele (Alt efter brug af ekstratilbehør)

Produktet må ikke anvendes på anden måde og til andre formål end foreskrevet.

**CE-KONFORMITÆTSEKLERING**

Vi erklærer som eneansvarlig, at det under „Tekniske data“ beskrevne produkt stemmer overens med alle relevante forskrifter, der følger af direktiv 2011/65/EU (RoHS), 2014/30/EU, 2006/42/EF samt af følgende harmoniserede normative dokumenter:

- EN 60745-1:2009 + A11:2010
- EN 60745-2-2:2010
- EN 55014-1:2006 + A1:2009 + A2:2011
- EN 55014-2:1997 + A1:2001 + A2:2008
- EN 61000-3-2:2014
- EN 61000-3-3:2013
- EN 50581:2012

Winnenden, 2016-03-29

*Alexander Krug*

Alexander Krug  
 Managing Director



Autoriseret til at udarbejde de tekniske dokumenter.

Techtronic Industries GmbH  
 Max-Eyth-Straße 10  
 71364 Winnenden  
 Germany

**NETTILSLUTNING**

Stikdåser udenørs skal være forsynet med fejlstrømssikringskontakter (FI,RCD,PRCD). Det forlanger installationsforskriften for Deres elektroanlæg. Overhold dette, når De bruger vores maskiner.

Tilslutning må kun foretages til enfaset vekselstrøm og kun til en netspænding, som er i overensstemmelse med angivelsen på mærkepladen. Tilslutning kan også ske til stikdåser uden beskyttelseskontakt, da kapslingsklasse II foreligger.

Tilslut kun maskine til stikdåsen i slukket tilstand.

Dette er en enhed til professionel brug, der kan overskride standardværdierne for strøm ved tilslutning til den offentlig netspænding ubetydeligt. Kontakt derfor elektricitetværket, inden enheden tilsluttes til det offentlige lavspændingsnet.

**VEDLIGEHOLDELSE**

Hold altid maskinens ventilationsåbninger rene.

I forbindelse med udskiftning af nedslidte kul anbefales det, at maskinen indsendes til et autoriseret serviceværksted for almindelig service-check. Det giver optimal sikkerhed for altid funktionsdygtig maskine og lang levetid.

Hvis nettilslutningsledningen bliver beskadiget, skal den udskiftes hos kompetent kundeservice, idet dette kræver specielt værktøj.

Brug kun AEG tilbehør og reservedele. Lad de komponenter, hvis udskiftning ikke er blevet beskrevet, udskifte hos Atlas Copco service (se kundeserviceadresser).

Ved opgivelse af type nr. der er angivet på maskinens effektskilt, kan de rekvirere en reservedelstegning, ved henvendelse til: Techtronic Industries GmbH, Max-Eyth-Straße 10, 71364 Winnenden, Germany.

**SYMBOLER**



VIGTIGT! ADVARSEL! FARE!



Før ethvert arbejde ved maskinen skal stikket tages ud af stikdåsen.



Læs brugsanvisningen nøje før brugtagning.



Elektrisk udstyr må ikke bortskaffes sammen med det almindelige husholdningsaffald. Elektrisk og elektronisk udstyr skal indsamles særskilt og afleveres hos en genbrugsvirksomhed til en miljømæssig forsvarlig bortskaffelse. Spørg de lokale myndigheder eller din forhandler om genbrugsstationer og indsamlingssteder til sådant affald.



Kapslingsklasse II elværktøj. Elværktøj, hvor beskyttelsen mod et elektrisk stød ikke kun afhænger af basisisoleringen men også af, at der anvendes yderligere beskyttelsesforanstaltninger som dobbelt isolering eller forstærket isolering. Der findes ikke udstyr til tilslutning af en beskyttelsesleder.



CE-mærke



Nationalt overensstemmelsesmærke Ukraine



EurAsian overensstemmelsesmærke.

TEKNISKE DATA	S 2500 E	S 4000 E
Produksjonsnummer.....	4133 58 02... 4134 32 02... ...000001-999999	4133 61 02... 4132 24 02... ...000001-999999
Nominell inngangseffekt.....	720 W	720 W
Avgitt effekt.....	360 W	360 W
Tomgangsturtall.....	0-2500 min <sup>-1</sup>	0-4000 min <sup>-1</sup>
Selvborekrueer inntil maks.....	6,3 mm	6,3 mm
Sekskantskrueer (nøkkelvidde).....	10 mm	-
Byggskrue inntil maks.....	5,0 mm	5,0 mm
Universalholder.....	1/4"	1/4"
Vekt i henhold til EPTA-Proseduren 01/2003.....	1,5 kg	1,4 kg

#### Støyinformasjon

Måleverdier fastslått i samsvar med EN 60745.

Det A-bedømte lydnivået til maskinen er:

Lydtrykknivå (Usikkerhet K=3dB(A))..... 86,5 dB (A) ..... 86,5 dB (A)  
Lydeffektnivå (Usikkerhet K=3dB(A))..... 97,5 dB (A) ..... 97,5 dB (A)

#### Bruk hørselsvern!

#### Vibrasjonsinformasjoner

Totale svingningsverdier (vektorsum fra tre retninger) beregnet jf. EN 60745.

Svingningsemisjonsverdi a<sub>h</sub>

Skruing ..... < 2,5 m/s<sup>2</sup> ..... < 2,5 m/s<sup>2</sup>  
Usikkerhet K ..... 1,5 m/s<sup>2</sup> ..... 1,5 m/s<sup>2</sup>

#### ADVARSEL

Svingningsnivået som er angitt i denne instruksjonen er målt i overensstemmelse med målemetoden normert i direktiv EN 60745 og kan brukes til å sammenligne elektromaskiner med hverandre. Den egner seg også for en foreløbig vurdering av svingningsbelastningen.

Det angitte svingningsnivået representerer de hovedsaklige bruk av elektroverktøyet. Men anvendes elektroverktøyet for andre bruk med avvikende utskiftbare verktøy eller vedlikeholdet er utilstrekkelig, kan svingningsnivået være avvikende.

Dette kan forhøye svingningsbelastning betydelig over hele arbeidsperioden. For en nøyaktig vurdering av svingningsbelastningen må også det tas hensyn til tiden apparatet er avslått eller står på, men ikke er i bruk. Dette kan redusere svingningsbelastningen betydelig over hele arbeidsperioden.

Innfør også ekstra sikkerhetstiltak for å beskytte bruker mot utvirkingen av svingningene. Disse kan f.eks. være: vedlikehold av elektroverktøyet og det utskiftbare verktøyet, holde hendene varme, organisasjon av arbeidsforløpet.

**⚠ OBS! Les alle sikkerhetsinstrukser og bruksanvisninger.** Feil ved overholdelsen av advarslene og nedenstående anvisninger kan medføre elektriske støt, brann og/eller alvorlige skader.  
**Ta godt vare på alle advarslene og informasjonene.**

#### ⚠ SIKKERHETSINNSTRUKSER FOR SKRUTREKKER

Hold verktøyet i de isolerte håndtakene, når arbeid gjøres der verktøyet kan treffe på skjulte strømledninger eller den egne kablet. Kontakt av skruen med en strømførende ledning kan sette apparatets metalldele under spenning og føre til elektrisk slag.

Bruk hørselsvern ved bruk av slagboret. Støy kan føre til tap av hørselen.

#### YTTERLIGE SIKKERHETS- OG ARBEIDSINSTRUKSJONER

Bruk vernebekledning. Ta alltid på vernebrille ved bruk av maskinen. Vernebekledning så vel som støvmaske, vernehansker, fast og sklisikkert skotøy, hjem og hørselsvern er anbefalt.

Støvet som oppstår ved arbeidet er ofte helsefarlig og skal ikke komme i kontakt med kroppen. Bruk derfor vernemaske som er egnet for støv.

Materialer som er helsefarlig skal ikke bearbeides (f.eks. asbest)

Slå av apparatet med en gang dersom det isatte verktøyet er blokkert! Ikke slå apparatet på igjen så lenge det isatte verktøyet er blokkert; her kan det oppstå et tilbakeslag med høyt reaksjonsmoment. Finn ut hvorfor det isatte verktøyet

blokkerer og fjern årsaken til dette. Ta herved hensyn til sikkerhetsinstruksene.

Mulige årsaker til dette kan være:

- det har forkantet seg i arbeidsemnet som bearbeides
- det har brekt igjennom materialet som bearbeides
- elektroverktøyet er overbelastet

Ikke grip inn i maskinen når den står på og går.

Isatt verktøy kan i bruk bli veldig varmt.

**ADVARSEL!** Fare for forbrenning

- ved skifting av verktøy
- når apparatet legges ned

Spon eller fliser må ikke fjernes mens maskinen er i gang.

Hold ledningen alltid vekk fra maskinens virkeområde. Før ledningen alltid bakover fra maskinen.

Pass på kabler, gass- og vannledninger når du arbeider i vegger, tak eller gulv.

Klem fast arbeidsemnet med en spenninnetning. Ikke sikre arbeidsemner kan ha alvorlige helseskader og skader av material til følge.

Trekk støpslet ut av stikkkontakten før du begynner arbeidet på maskinen.

#### FORMÅLSMESSIG BRUK

Byggeskrutrekkeren kan brukes til skruing i treverk og blikk og til sammenskruing av metalldele (alt etter innsatt tilbehør).

Dette apparatet må kun brukes til de oppgitte formål.

#### CE-SAMSVARERKLÆRING

Vi erklærer i alene ansvar at produktet beskrevet i „Teknisk data“ overensstemmer med alle relevante forskrifter til EU direktiv 2011/65/EU (RoHS), 2014/30/EU, 2006/42/EF og de følgende harmoniserte normative dokumentene.

EN 60745-1:2009 + A11:2010  
EN 60745-2-2:2010  
EN 55014-1:2006 + A1:2009 + A2:2011  
EN 55014-2:1997 + A1:2001 + A2:2008  
EN 61000-3-2:2014  
EN 61000-3-3:2013  
EN 50581:2012

Winnenden, 2016-03-29

*Alexander Krug*

Alexander Krug  
Managing Director



Autorisert til å utarbeide den tekniske dokumentasjonen

Techtronic Industries GmbH  
Max-Eyth-Straße 10  
71364 Winnenden  
Germany

#### NETTILKOPLING

Stikkontakter utendørs må være utstyrt med feilstrøm-sikkerhetsbryter (FI, RCD, PRCD). Dette forlanges av installasjonsforskriften for elektroanlegg. Vennligst følg dette når du bruker vårt apparat.

Skal bare tilsluttes enfasevekselstrøm og bare til den på skiltet angitte nettspenning. Tilslutning til stikkontakter uten jordet kontakt er mulig fordi beskyttelse beskyttelsesklasse II er forhanden.

Påse at maskinen er slått av når du setter inn nettstøpslet i stikkkontakten.

Dette er et apparat for profesjonell bruk som kan overskride retningslinjene for overharmoniske spenninger ubetydelig ved tilkobling til det offentlige lavspenningsnettet. Kontakter derfor det vedkommende elektrisitetsverket i slike tilfelle før tilkobling til det offentlige lavspenningsnettet.

#### VEDLIKEHOLD

Hold alltid luftenåpningene på maskinen rene.

Når kullbørstene er slitte bør det i tillegg til at disse skiftes ut gjennomføres en servise i et serviceverksted. Dette forlenger maskinens levetid og garanterer en stadig driftsberedskap.

Er det skade på nettkabelen, må den skiftes av kundeservice, fordi det behøves spesialverktøy.

Bruk kun AEG tilbehør og reservedeler. Komponenter der utskifting ikke er beskrevet skal skiftes ut hos AEG kundeservice (se brosjyre garanti/kundeserviceadresser).

Ved behov kan du be om en eksplosjonstegning av apparatet hos din kundeservice eller direkte hos Techtronic Industries GmbH, Max-Eyth-Straße 10, 71364 Winnenden, Germany. Oppgi maskintype og det nummeret på typeskiltet.

#### SYMBOLER



OBS! ADVARSEL! FARE!



Trekk støpslet ut av stikkkontakten før du begynner arbeidet på maskinen.



Les nøye gjennom bruksanvisningen før maskinen tas i bruk.



Elektriske apparat skal ikke kastes sammen med vanlig husholdningsavfall. Elektriske og elektroniske apparat skal samles separat og leveres til miljøvennlig deponering til en avfall bedrift. Informer deg hos myndighetene på stedet eller hos din fagforhandler hvor det finnes recycling bedrifter oppsamlingssteder.



Elektroverktøy av verneklasse II. Elektroverktøy hvor beskyttelse mot elektrisk slag ikke bare er avhengig av basisisoleringen, men som også er avhengig av at tillegg vernetiltak som dobbelt eller forsterket isolering blir brukt. Det finnes ingen innetring for tilkobling av en beskyttelsesleder.



CE-tegn



Nasjonalt Konformitetstegn Ukraina



EurAsian Konformitetstegn.

**TEKNISKA DATA** **S 2500 E** **S 4000 E**

Produktionsnummer .....	4133 58 02... ..4133 61 02...	4133 61 02... ..4133 24 02...
.....	.....000001-999999	.....000001-999999
Nominell upptagen effekt.....	720 W .....	720 W .....
Uteffekt .....	360 W .....	360 W .....
Obelastat varvtal .....	0-2500 min <sup>-1</sup> .....	0-4000 min <sup>-1</sup> .....
Självborrande skruv till max.....	6,3 mm .....	6,3 mm .....
Sexkantsskruvar .....	10 mm .....	10 mm .....
Gips/fråskruvar till max .....	5,0 mm .....	5,0 mm .....
Universalinfästning .....	1/4" .....	1/4" .....
Vikt enligt EPTA 01/2003 .....	1,5 kg .....	1,4 kg .....

**Bullerinformation**  
Mätvärdena har tagits fram baserade på EN 60745.

A-värdet av maskinens ljudtrycksnivå är

Ljudtrycksnivå (Onoggrannhet K=3dB(A)).....	86,5 dB (A) .....	86,5 dB (A) .....
Ljudeffektsnivå (Onoggrannhet K=3dB(A)).....	97,5 dB (A) .....	97,5 dB (A) .....

**Använd hörselskydd!**

**Vibrationsinformation**  
Totala vibrationsvärden (vektorsumma ur tre riktningar) framtaget enligt EN 60745.

Vibrationsemissionsvärde a<sub>w</sub>

Skruvning.....	< 2,5 m/s <sup>2</sup> .....	< 2,5 m/s <sup>2</sup> .....
Onoggrannhet K .....	1,5 m/s <sup>2</sup> .....	1,5 m/s <sup>2</sup> .....

**VARNING**

Den i de här anvisningarna angivna vibrationsnivån har uppmätts enligt ett i EN 60745 normerat mätförfarande och kan användas vid jämförelse mellan olika elverktyg. Nivån är även lämplig att använda vid en preliminär bedömning av vibrationsbelastningen.

Den angivna vibrationsnivån representerar den huvudsakliga användningen av det aktuella elverktyget. Men om elverktyget ska användas i andra användningsområden, tillsammans med avvikande insatsverktyg eller efter otillräckligt underhåll, kan vibrationsnivån skilja sig. Det kan öka vibrationsbelastningen betydligt under hela arbetstiden.

För att få en exaktare bedömning av vibrationsbelastningen ska även den tid beaktas, under vilken elverktyget är avstängt eller är påslaget, utan att det verkligen används. Det kan reducera vibrationsbelastningen betydligt under hela arbetstiden.

Lägg som skydd för användaren fast extra säkerhetsåtgärder mot vibrationernas verkan, som till exempel: underhåll av elverktyg och insatsverktyg, varmhållning av händer och organisering av arbetsförlopp.

**⚠️ VARNING! Läs all säkerhetsinformation och alla anvisningar.** Fel som uppstår till följd av att anvisningarna nedan inte följts kan orsaka elstöt, brand och/eller allvarliga kroppsskador.  
**Förvara alla varningar och anvisningar för framtida bruk.**

**⚠️ SÄKERHETSANVISNINGAR FÖR SKRUVDRAGARE**

Håll alltid i verktyget på de isolerade handtagsytorna när du använder verktyget och när det finns risk att verktygshuvudet kan träffa dolda elledningar eller verktygets egen kabel. Skruvens kontakt med en strömförande ledning kan sätta apparatdelar av metall under spänning och leda till elektrisk stöt.

Använd alltid hörselskydd när du använder en slagbormaskin. Buller kan leda till att du förlorar hörseln.

**ÖVRIGA SÄKERHETS- OCH ANVÄNDNINGSPÅBUD**

Använd skyddsutrustning. Använd alltid skyddsglasögon när du använder maskinen. Som skyddsutrustning rekommenderar vi t.ex. en dammskyddsmask, skyddshandskar, stabila och halksäkra skor, hjälm och hörselskydd.

Det damm som bildas under arbetets gång är ofta hälsofarligt och det ska inte komma in i kroppen. Bär därför lämplig skyddsmask.

Det är inte tillåtet att bearbeta material som kan vara hälsovådligt (t.ex. asbest).

Stäng av maskinen omedelbart om ett verktyg som används sitter fast! Sätt sedan inte på maskinen igen så länge som

verktyget som används fortfarande sitter fast; risk för okontrollerade slag med högt reaktionsmoment. Ta reda på orsaken varför verktyget fastnade och åtgärda orsaken med hänsyn till säkerhetsanvisningarna.

- Möjliga orsaker kan vara:
- Verktyget sitter snett i arbetsstycket
  - Verktyget går igenom materialet som bearbetas
  - Elverktyget är överbelastat

Gå aldrig med händerna in i en maskin som är igång.

Verktyget som används kan bli mycket varmt under användningen.

**VARNING!** Risk för brännskador

- vid verktygsbyte
- när man lägger ifrån sig maskinen

Avlägsna aldrig spån eller flisor när maskinen är igång.

Nätkabeln skall alltid hållas ifrån arbetsområdet. Lägg kabeln bakåt i förhållande till arbetsriktningen.

Vid arbetenborring i vägg, tak eller golv, var alltid observant på befintliga el-, gas- eller vattenledningar.

Säkra arbetsstycket med en fastspänningsanordning. Arbetsstycken som inte är ordentligt fastspända kan leda till allvarlig kroppsskada eller annan skada.

Drag alltid ur kontakten när du utför arbeten på maskinen.

**ANVÄND MASKINEN ENLIGT ANVISNINGARNA**

Byggskruvdragaren är användbar för skruvning i trä och metall (i kombination med passande tillbehör).

Maskinen får endast användas för angiven tillämpning.

**CE-FÖRSÄKRAN**

Vi intygar och ansvarar för att den produkt som beskrivs under „Tekniska data“ överensstämmer med alla relevanta bestämmelser i direktiv 2011/65/EU (RoHS), 2014/30/EU, 2006/42/EG och följande harmoniserade normerande dokument:

- EN 60745-1:2009 + A11:2010
- EN 60745-2-2:2010
- EN 55014-1:2006 + A1:2009 + A2:2011
- EN 55014-2:1997 + A1:2001 + A2:2008
- EN 61000-3-2:2014
- EN 61000-3-3:2013
- EN 50581:2012

Winnenden, 2016-03-29

*Alexander Krug*

Alexander Krug  
Managing Director



Befullmäktigad att sammanställa teknisk dokumentation.

Techtronic Industries GmbH  
Max-Eyth-Straße 10  
71364 Winnenden  
Germany

**NÄTANSLUTNING**

Anslut alltid verktyget till via en felströmbrytare (FI, RCD, PRCD) vid användning utomhus.

Får endast anslutas till 1-fas växelström och till den spänning som anges på dataskylten. Anslutning kan även ske till eluttag utan skyddskontakt, eftersom konstruktionen motsvarar skyddsklass II.

Maskinen skall vara fränslagen när kontakten anslutes till vägguttaget.

Detta verktyg är avsett för professionell användning och kan i viss mån överskrida riktvärdena för strömöversvängningar vid anslutning till det allmänna lågspänningsnätet. Därför rekommenderas att kontakta det lokala elbolaget innan verktyget ansluts till det allmänna lågspänningsnätet.

**SKÖTSEL**

Se till att motorhöljets luftslitsar är rena.

Viktigt! I samband med kolbyten är en översyn på serviceverkstad att rekommendera. Detta för att höja maskinens livslängd och garantera ytterligare driftssäkerhet.

Om nätkabeln är skadad, måste den bytas ut på en godkänd serviceverkstad, då det krävs specialverktyg för detta.

Använd endast AEG tillbehör och reservdelar. Reservdelar vars utbyte ej beskrivs bytes bäst av AEG auktoriserad serviceverkstad (se broschyr Garanti/Kundtjänstadresser).

Vid behov av sprängskiss, kan en sådan, genom att uppge maskinens art. nr. (som finns på typskylten) erhållas från: Techtronic Industries GmbH, Max-Eyth-Straße 10, 71364 Winnenden, Germany.

**SYMBOLER**



OBSERVERA! VARNING! FARA!



Drag alltid ur kontakten när du utför arbeten på maskinen.



Läs instruktionen noga innan du startar maskinen.



Elektriska maskiner och elverktyg som kasseras får inte slängas tillsammans med de vanliga hushållssoporna. Elektriska maskiner och verktyg samt elektronisk utrustning som kasseras ska samlas separat och lämnas till en avfallsstation för miljövänlig avfallshantering. Kontakta den lokala myndigheten respektive kommunen eller fråga återförsäljare var det finns speciella avfallsstationer för elskrot.



Elverktyg skyddsklass II. Elverktyg hos vilket skyddet mot elstöt är inte bara avhängigt av basisoleringen utan också av att det finns extra skyddsåtgärder, som en dubbel isolering eller en förstärkt isolering. Det finns ingen anordning för anslutning av en skyddsledare.



CE-symbol



Nationell symbol för överensstämmelse Ukraine



EurAsian överensstämmelsesymbol.

## TEKNISET ARVOT

	S 2500 E	S 4000 E
Tuotantonumero .....	4133 58 02... 4134 32 02... ...000001-999999	4133 61 02... 4132 24 02... ...000001-999999
Nimellinen teho .....	720 W	720 W
Antoteho .....	360 W	360 W
Kuormittamaton kierrosluku .....	0-2500 min <sup>-1</sup>	0-4000 min <sup>-1</sup>
Itseporaava ruuvi maks. ....	6,3 mm	6,3 mm
Kuusiokoloruuvi (avainväli) .....	10 mm	-
Levyruuvi, maks. ....	5,0 mm	5,0 mm
Vakiopidin .....	1/4"	1/4"
Paino EPTA-menettelyn 01/2003 mukaan.....	1,5 kg	1,4 kg

### Melunpäästötiedot

Mitta-arvot määritetty EN 60745 mukaan.

Yleensä työkalun A-luokan melutaso

Melutaso (Epävarmuus K=3dB(A)).....	86,5 dB (A)	86,5 dB (A)
Äänenvoimakkuus (Epävarmuus K=3dB(A)).....	97,5 dB (A)	97,5 dB (A)

### Käytä kuulosuojaimia!

### Tärinätiedot

Värähtelyn yhteisarvot (kolmen suunnan vektorisumma) mitattuna EN 60745 mukaan.

Värähtelyemissioarvo a <sub>v</sub> .....	< 2,5 m/s <sup>2</sup>	< 2,5 m/s <sup>2</sup>
Ruuvinvääntö .....	1,5 m/s <sup>2</sup>	1,5 m/s <sup>2</sup>
Epävarmuus K .....		

## VAROITUS

Näissä ohjeissa mainittu värähtelytaso on mitattu EN 60745 -standardin mukaisella mittausmenetelmällä ja sitä voidaan käyttää sähkötyökalujen vertaamiseen. Sitä voidaan käyttää myös värähtelyrasituksen väliaikaiseen arviointiin.

Mainittu värähtelytaso edustaa sähkötyökalun pääasiallista käyttöä. Jos sähkötyökalua kuitenkin käytetään muihin tehtäviin, poikkeavin työkaluun tai riittämättömästi huoltaen, värähtelytaso voi olla erilainen. Se voi korottaa värähtelyrasitusta koko työajan osalta.

Tarkan värähtelyrasituksen toteamiseen tulee ottaa huomioon aika, jona laite on kytketty pois tai on kylläkin päällä, mutta ei käytössä. Se voi pienentää värähtelyrasitusta koko työajan osalta.

Määrittele lisäturvatoimenpiteitä käyttäjän suojaamiseksi värinöiden vaikutukselta, kuten esimerkiksi: sähkötyökalujen ja käyttötyökalujen huolto, käsien lämpiminä pitäminen, työvaiheiden organisaatio.

**VAROITUS! Lue kaikki turvallisuusmääräykset ja ohjeet.** Turvallisuusohjeiden noudattamisen laiminlyönti saattaa johtaa sähköiskuun, tulipaloon ja/tai vakavaan loukkaantumiseen.

**Säilytä kaikki turvallisuus- ja muut ohjeet tulevaisuutta varten.**

## RUUVINKIERTIMEN TURVALLISUUSOHJEET

**Pitele laitteesta kiinni sen eristetyistä kahvapinnoista suorittaessasi töitä, joiden aikana liitetty työkalu saattaa osua piilossa oleviin sähköjohtoihin tai laitteen omaan verkkjohtoon.** Ruuvien kosketus jännitteelliseen johtoon saattaa tehdä laitteen metalliosat jännitteellisiksi ja aiheuttaa sähköiskun.

**Käytä kuulosuojaimia iskuporattaessa.** Melulle altistuminen voi heikentää kuuloa.

## TÄYDENTÄVIÄ TURVALLISUUSMÄÄRÄYKSIÄ JA TYÖSKENTELYOHJEITA

Käytä suojavarusteita. Käytä aina suojalaseja käyttäessäsi konetta. Suosittelemme suojavarusteiden käyttöä, näihin kuuluvat pölysuojanaamarit, työkasineet, tukevat, luistamattomat jalkineet, kypärä ja kuulosuojukset.

Koneen käytöstä aiheutuva pöly ja jäte voi olla haitallista terveydelle eikä sen vuoksi tulisi päästä kosketukseen ihon kanssa. Koneella työskennellessä on käytettävä sopivaa suojainta.

Terveydellisiä vaaroja aiheuttavien materiaalien (esim. asbestin) työstäminen on kielletty.

Jos käytetty työkalu juuttuu kiinni, sammuta laite heti! Älä kytke laitetta uudelleen päälle työkalun ollessa vielä kiinni

juuttuneena, koska tästä saattaa aiheutua voimakas takaisku. Selvitä työkalun juuttumisen syy ja poista syy turvallisuusmääräyksiä noudattaen.

Mahdollisia syitä voivat olla:

- työkalun vinoutuminen työstökappaleessa
- työstetyn materiaalin puhkaisu
- sähkötyökalun ylikuormitus

Älä tartu käynnissä olevan koneen työosiin.

Käytetty työkalu saattaa kuumeta käytön aikana.

**VAROITUS!** Palovamman vaara

- työkalua vaihdettaessa
- laitetta pois laskettaessa

Lastuja tai puruja ei saa poistaa koneen käydessä.

Pidä sähköjohto poissa koneen käyttöalueelta. Siirrä se aina taaksesi.

Varo seinään, kattoon tai lattiaan porattaessa osumasta sähköjohtoon, kaasu- ja vesijohtoihin.

Varmista työstökappaleesi kiinnityslaitteella paikalleen.

Varmistamattomat työstökappaleet saattavat aiheuttaa vakavia vammoja ja vaurioita.

Irrota aina pistotulppa seinäkoskettimesta ennen koneeseen tehtäviä toimenpiteitä.

## TARKOITUKSEN MUKAINEN KÄYTTÖ

Ruuvinkierrin soveltuu sekä puu- että koneruuvien kiertämiseen.

Älä käytä tuotetta ohjeiden vastaisesti.

## TODISTUS CE-STANDARDIN MUKAISUUDESTA

Vakuutamme yksinvastuullisesti, että kohdassa „Tekniset tiedot“ kuvattu tuote vastaa kaikkia sitä koskevia direktiivien 2011/65/EU (RoHS), 2014/30/EU, 2006/42/EY määräyksiä sekä seuraavia harmonisoituja standardisoivia asiakirjoja:

EN 60745-1:2009 + A11:2010  
EN 60745-2-2:2010  
EN 55014-1:2006 + A1:2009 + A2:2011  
EN 55014-2:1997 + A1:2001 + A2:2008  
EN 61000-3-2:2014  
EN 61000-3-3:2013  
EN 50581:2012

Winnenden, 2016-03-29

*Alexander Krug*

Alexander Krug  
Managing Director



Valtuutettu kokoamaan tekniset dokumentit.

Techronic Industries GmbH  
Max-Eyth-Straße 10  
71364 Winnenden  
Germany

## VERKKOLIITÄNTÄ

Ulkokäytössä olevat pistorasiat on varustettava vikavirtasuojakytkimillä (FI, RCD PRCD) sähkölaitteistosi asennusmääräyksen mukaisesti. Muista tarkistaa, että laite liitetään ulkokäytössä ulkopistorasiaan ja neuvottele asiasta sähköasentajasi kanssa.

Yhdistä ainoastaan yksivaiheiseen vaihtovirtaan, jonka verkkojännite on sama kuin tyyppikilvessä ilmoitettu. Myös liittäminen maadoittamattomiin pistorasioihin on mahdollista, sillä rakenne vastaa turvallisuusluokkaa II.

Laitteen käynnistystytkin on oltava 0- asennossa, kun tulppa työnnetään pistorasiaan.

Tämä laite on tarkoitettu ammattikäyttöön, ja se saattaa ylittää virran korkeimpien yliaaltojen viitearvot vähäisessä määrin, kun se liitetään julkiseen pienjänniteverkkoon. Ota tämän vuoksi tarvittaessa yhteyttä paikalliseen energianjakeluyritykseen ennen laitteen liittämistä julkiseen pienjänniteverkkoon.

## HUOLTO

Pidä moottorin ilmanottoaukot puhtaina.

Hiiltenvaihdon lisäksi jotkut muutkin huoltotoimenpiteet saattavat olla tarpeen. Koneen pitkän kestoian ja luotettavan toimintavalmiuden turvaamiseksi, suosittelemme näissä tapauksissa kääntymistä valtuutetun huoltokorjaamon puoleen.

Jos verkkoliitäntäjohto on vioittunut, niin huoltopalvelun täytyy vaihtaa se uuteen, koska vain heillä on tähän tarvittavat erikoistyökalut.

Käytä vain AEG:n lisälaitteita ja varaosia. Käytä ammattitaitoisten AEG-huoltosopimusliikkeiden palveluja muiden kuin käyttöohjeessa kuvattujen osien vaihdossa. (esite takuu/huoltoliikeluettelo).

Tarpeen vaatiessa voit pyytää lähettämään laitteen kokoonpanopiirustuksen ilmoittamalla arvokilven numeron seuraavasta osoitteesta: Techronic Industries GmbH, Max-Eyth-Straße 10, 71364 Winnenden, Germany.

## SYMBOLIT



HUOMIO! VAROITUS! VAARA!



Irrota aina pistotulppa seinäkoskettimesta ennen koneeseen tehtäviä toimenpiteitä.



Lue käyttöohjeet huolellisesti, ennen koneen käynnistämistä.



Sähkölaitteita ei saa hävittää yhdessä kotitalousjätteiden kanssa. Sähkö- ja elektroniset laitteet tulee kerätä erikseen ja toimittaa kierrätysliikkeeseen ympäristöystävällistä hävittämistä varten. Pyydä paikallisilta viranomaisilta tai alan kauppiailta tarkemmat tiedot kierrätyspisteistä ja keräyspaikoista.



Suojaluokan II sähkötyökalu. Sähkötyökalu, jonka sähköiskun suojaus ei ole riippuvainen ainoastaan peruseristyksestä, vaan myös siitä, että käytetään lisäturvatoimia, kuten kaksinkertaista eristystä tai vahvistettua eristystä. Laitteessa ei ole suojaohjaimen liittämiseen tarvittavia varusteita.



CE-merkki



Kansallinen standardin mukaisuusmerkki Ukraina



EurAsian vaatimusten mukaisuusmerkki.

ΤΕΧΝΙΚΑ ΣΤΟΙΧΕΙΑ	S 2500 E	S 4000 E
Αριθμός παραγωγής.....	4133 58 02.....	4133 61 02.....
.....	4134 32 02.....	4132 24 02.....
.....	...000001-999999	...000001-999999
Όνομαστική ισχύς.....	720 W.....	720 W.....
Αποδιδόμενη ισχύς.....	360 W.....	360 W.....
Αριθμός στροφών χωρίς φορτίο.....	0-2500 min <sup>-1</sup> .....	0-4000 min <sup>-1</sup> .....
Βίδες αυτοδιάρθρωσης μέχρι το πολύ.....	6,3 mm.....	6,3 mm.....
Βίδες εξαγωνικής κεφαλής (άνοιγμα κλειδιού).....	10 mm.....	10 mm.....
Βίδες γρήγορης προσαρμογής μέχρι το πολύ.....	5,0 mm.....	5,0 mm.....
Υποδοχή σφιγκτήρα γενικής χρήσης.....	1/4".....	1/4".....
Βάρος σύμφωνα με τη διαδικασία ΕΡΤΑ 01/2003.....	1,5 kg.....	1,4 kg.....

#### Πληροφορίες θορύβου

Τιμές μέτρησης εξακριβωμένες κατά EN 60745.

Τυπική A αξιολογημένη στάθμη θορύβου:

Στάθμη ηχητικής πίεσης (Ανασφάλεια K=3dB(A)).....	86,5 dB (A).....	86,5 dB (A).....
Στάθμη ηχητικής ισχύος (Ανασφάλεια K=3dB(A)).....	97,5 dB (A).....	97,5 dB (A).....

#### Цпсрѳе рспуѳдурѳ дкпЮт (αφδурѳдет)

#### Πληροφορίες δονήσεων

Υλικές τιμές κραδασμών (άθροισμα διανυσμάτων τριών διευθύνσεων) εξακριβώθηκαν σύμφωνα με τα πρότυπα EN 60745.

Τιμή εκπομπής δονήσεων a <sub>w</sub>		
Βίδωμα.....	< 2,5 m/s <sup>2</sup> .....	< 2,5 m/s <sup>2</sup> .....
Ανασφάλεια K.....	1,5 m/s <sup>2</sup> .....	1,5 m/s <sup>2</sup> .....

#### ΠΡΟΕΙΔΟΠΟΙΗΣΗ

Το αναφερόμενο σ' αυτές τις οδηγίες επίπεδο δονήσεων έχει μετρηθεί με μια τυποποιημένη σύμβαση με το EN 60745 μέθοδο μέτρησης και μπορεί να χρησιμοποιηθεί για τη σύγκριση των ηλεκτρικών εργαλείων μεταξύ τους. Αυτό είναι επίσης κατάλληλο για μια προσωρινή εκτίμηση της επιβάρυνση των δονήσεων.

Το αναφερόμενο επίπεδο δονήσεων αντιπροσωπεύει τις κύριες χρήσεις του ηλεκτρικού εργαλείου. Εάν όμως το ηλεκτρικό χρησιμοποιείται σε άλλες χρήσεις, με διαφορετικά εργαλεία εφαρμογής ή ανεπαρκή συντήρηση, μπορεί να υπάρξει απόκλιση του επιπέδου δονήσεων. Αυτό μπορεί να αυξήσει σημαντικά την επιβάρυνση των δονήσεων για τη συνολική διάρκεια της εργασίας.

Για μια ακριβή εκτίμηση της επιβάρυνσης των δονήσεων οφείλουν επίσης να λαμβάνονται υπόψη οι χρόνοι, στους οποίους η συσκευή είναι απενεργοποιημένη ή είναι μεν ενεργοποιημένη αλλά δεν χρησιμοποιείται πραγματικά. Αυτό μπορεί να μειώσει σημαντικά την επιβάρυνση των δονήσεων για τη συνολική διάρκεια της εργασίας.

Καθορίζετε πρόσθετα μέτρα ασφαλείας για την προστασία του χειριστή από την επίδραση των δονήσεων όπως για παράδειγμα: Συντήρηση του ηλεκτρικού εργαλείου και των εργαλείων εφαρμογής, διατηρείτε ζεστά τα χέρια, οργάνωση των διαδικασιών εργασίας.

**⚠ ΠΡΟΣΟΧΗ! Διαβάστε όλες τις οδηγίες ασφαλείας και τις οδηγίες χρήσης.** Αμέλεια κατά την τήρηση των προειδοποιητικών υποδείξεων μπορεί να προκαλέσουν ηλεκτροπληξία, κίνδυνο πυρκαγιάς ή/και σοβαρούς τραυματισμούς.  
**Φυλάξτε όλες τις προειδοποιητικές υποδείξεις και οδηγίες για κάθε μελλοντική χρήση.**

#### ⚠ ΟΔΗΓΙΕΣ ΑΣΦΑΛΕΙΑΣ ΓΙΑ ΔΡΑΠΑΝΟΚΑΤΣΑΒΙΔΑ

Κατά τη διεκπεραίωση εργασιών με το μηχάνημα, για τις οποίες τα εργαλεία που χρησιμοποιείτε μπορεί να ακουμπήσουν αγωγούς ρεύματος που δεν φαίνονται ή το καλώδιο του ίδιου του μηχανήματος, πρέπει να κρατάτε το μηχάνημα από τις μονωμένες επιφάνειες των λαβών. Η επαφή της βίδας μ' ένα ηλεκτροφόρο καλώδιο μπορεί να προκαλέσει τη μεταφορά ρεύματος στα μεταλλικά εξαρτήματα της συσκευής και να οδηγήσει σε ηλεκτροπληξία.

Κατά την κρουστική διάτρηση φοράτε γυαλιά. Η επίδραση του θορύβου μπορεί να προκαλέσει απώλεια ακοής.

#### ΠΕΡΑΙΤΕΡΟ ΟΔΗΓΙΕΣ ΑΣΦΑΛΕΙΑΣ ΚΑΙ ΧΡΗΣΕΩΣ

Χρησιμοποιείτε προστατευτικό εξοπλισμό. Κατά την εργασία με τη μηχανή φοράτε πάντα προστατευτικά γυαλιά. Συνιστούμε επίσης προστατευτική ενδυμασία όπως επίσης μάσκα προστασίας αναπνοής, προστατευτικά γάντια, σταθερά και ασφαλή στην ολίσθηση υποδήματα, κράνος και υψοασπίδες.

Η σκόνη που δημιουργείται κατά την εργασία είναι συχνά επιβλαβής για την υγεία και δεν επιτρέπεται να έλθει στο σώμα. Να φοράτε κατάλληλη μάσκα προστασίας από σκόνη.

Μην επεξεργάζεστε επικίνδυνα για την υγεία υλικά (π.χ. αμιαντός).

Σε περίπτωση μπλοκαρίσματος της αρίδας απενεργοποιείτε αμέσως τη συσκευή! Μην ενεργοποιείτε εκ νέου τη συσκευή όσο η αρίδα είναι μπλοκαρισμένη. Σ' αυτή τη περίπτωση θα μπορούσε να προκύψει υψηλή ροπή αντίδρασης. Βρείτε την απία του μπλοκαρίσματος της αρίδας και ξεμπλοκαρέτε την λαμβάνοντας υπόψη τις οδηγίες ασφαλείας.

Πιθανές αιτίες:

- Η αρίδα μάγκωσε με το προς κατεργασία κομμάτι.
- Σπασίμο του προς κατεργασία υλικού.
- Υπερφόρτωση του ηλεκτρικού εργαλείου.

Μην απλώνετε τα χέρια σας στην επικίνδυνη περιοχή της μηχανής όταν είναι σε λειτουργία.

Η θερμοκρασία της αρίδας μπορεί να φτάσει σε υψηλά επίπεδα κατά τη λειτουργία.

#### ΠΡΟΕΙΔΟΠΟΙΗΣΗ! Κίνδυνος εγκαύματος

- κατά την αλλαγή εργαλείου (αρίδας)
- κατά την απόθεση της συσκευής

Τα γρέζια ή οι σκλήθρες δεν επιτρέπεται να απομακρύνονται όσο η μηχανή βρίσκεται σε λειτουργία.

Κρατάτε το καλώδιο σύνδεσης πάντοτε μακριά από την περιοχή δράσης της μηχανής. Περνάτε το καλώδιο πάντοτε πίσω από τη μηχανή.

Κατά τις εργασίες σε τοίχο, οροφή ή δάπεδο προσέχετε για τυχόν ηλεκτρικά καλώδια και για σωλήνες αερίου και νερού.

Ασφαλίστε το προς κατεργασία κομμάτι στη μέγιστη ή με μια άλλη διάταξη σπέρωσης. Μη ασφαλισμένα προς κατεργασία κομμάτια μπορεί να προκαλέσουν σοβαρούς τραυματισμούς και ζημιές.

Πριν από κάθε εργασία στη μηχανή τραβάτε το φως από την πρίζα.

#### ΧΡΗΣΗ ΣΥΜΦΩΝΑ ΜΕ ΤΟ ΣΚΟΠΟ ΠΡΟΟΡΙΣΜΟΥ

Το κατασβιδί οικοδομικών εργασιών μπορεί να χρησιμοποιηθεί για βίδωμα σε ξύλο και λαμαρίνα και για το βίδωμα μεταλλικών τεμαχίων (ανάλογα με το χρησιμοποιούμενο εξάρτημα).

Αυτή η συσκευή επιτρέπεται να χρησιμοποιηθεί μόνο σύμφωνα με τον αναφερόμενο σκοπό προορισμού.

#### ΔΗΛΩΣΗ ΠΙΣΤΟΤΗΤΑΣ ΕΚ

Δηλώνουμε υπεύθυνα ότι το προϊόν που περιγράφεται στο κεφάλαιο «Τεχνικά χαρακτηριστικά» είναι συμβατό με τις διατάξεις της Κοινοτικής Οδηγίας 2011/65/EU (RoHS), 2014/30/EE, 2006/42/EK και με τα ακόλουθα εναρμονισμένα κανονιστικά έγγραφα:

EN 60745-1:2009 + A11:2010  
EN 60745-2-2:2010  
EN 55014-1:2006 + A1:2009 + A2:2011  
EN 55014-2:1997 + A1:2001 + A2:2008  
EN 61000-3-2:2014  
EN 61000-3-3:2013  
EN 50581:2012

Winnenden, 2016-03-29

*Alexander Krug*

Alexander Krug  
Managing Director



Εξουσιοδοτημένος να συντάξει τον τεχνικό φάκελο.

Techtronic Industries GmbH  
Max-Eyth-Straße 10  
71364 Winnenden  
Germany

#### ΣΥΝΔΕΣΗ ΣΤΟ ΗΛΕΚΤΡΙΚΟ ΔΙΚΤΥΟ

Οι πρίζες στους εξωτερικούς χώρους πρέπει να είναι εξωπλισμένες με μικροαυτόματους διακόπτες προστασίας (FI, RCD, PRCD). Αυτό απαιτεί ο σχετικός κανονισμός από την ηλεκτρική σας εγκατάσταση. Προσέξτε παρακαλώ αυτό το σημείο κατά τη χρήση της συσκευής μας.

Συνδέστε μόνο σε μονοφασικό εναλασόμενο ρεύμα και μόνο σε τάση δικτύου όπως αναφέρεται στην πινακίδα τεχνικών χαρακτηριστικών. Η σύνδεση είναι επίσης ερμητική σε πρίζες χωρίς προστασία επαφής, διότι έχει προβλεφθεί εξοπλισμός κατηγορίας προστασίας II.

Συνδέστε τη συσκευή στην πρίζα μόνο όταν είναι απενεργοποιημένη.

Αυτό είναι ένα εργαλείο για επαγγελματική χρήση, το οποίο μπορεί να υπερβεί ελαφρώς τις ενδεικτικές τιμές για αρμονικές ρεύματος κατά τη σύνδεση στο δημόσιο δίκτυο χαμηλής τάσης. Για το λόγο αυτό πριν από τη σύνδεση του εργαλείου στο δημόσιο δίκτυο χαμηλής τάσης έρχεστε σε επαφή κατά περίπτωση με την αρμόδια δημόσια επιχείρηση ηλεκτρισμού.

#### ΣΥΝΤΗΡΗΣΗ

Διατηρείτε πάντοτε τις σχισμές εξαερισμού της μηχανής καθαρές.

Σε περίπτωση που οι ψήκτρες (καρβουνάκια) είναι φθαρμένες πρέπει εκτός της αλλαγής τους να εκτελεστεί και ένα σέρβις σε ένα συμβεβλημένο συνεργείο. Αυτό μεγαλώνει τη διάρκεια ζωής της μηχανής και εγγυάται μια συνεχή ετοιμότητα λειτουργίας.

Όταν έχει υποστεί ζημιά το καλώδιο ηλεκτρικής σύνδεσης, πρέπει αυτό να αντικατασταθεί σε μια υπηρεσία τεχνικής υποστήριξης πελατών, διότι απαιτείται ειδικό εργαλείο.

Χρησιμοποιείτε μόνο εξαρτήματα και ανταλλακτικά της AEG. Ανάθεστε την αλλαγή των εξαρτημάτων, των οποίων η

αντικατάσταση δεν έχει περιγραφεί, σ' ένα κέντρο σέρβις της AEG (προσέξτε το χειρίδιο Εγγύηση/Διευθύνσεις εξυπηρέτησης πελατών).

Όταν χρειάζεται, μπορείτε να ζητήσετε ένα σχέδιο συναρμολόγησης της συσκευής, δίνοντας τον τύπο της μηχανής και αριθμό στην πινακίδα ισχύος, από το κέντρο σέρβις ή απευθείας από τη φίρμα Techtronic Industries GmbH, Max-Eyth-Straße 10, 71364 Winnenden, Germany.

#### ΣΥΜΒΟΛΑ



ΠΡΟΣΟΧΗ! ΠΡΟΕΙΔΟΠΟΙΗΣΗ! ΚΙΝΔΥΝΟΣ!



Πριν από κάθε εργασία στη μηχανή τραβάτε το φως από την πρίζα.



Παρακαλώ διαβάστε σχολαστικά τις οδηγίες χρήσης πριν από την έναρξη λειτουργίας.



Ηλεκτρικά μηχανήματα δεν επιτρέπεται να απορρίπτονται μαζί με τα οικιακά απορρίμματα.

Ηλεκτρικά και ηλεκτρονικά μηχανήματα συλλέγονται ξεχωριστά και παραδίδονται προς ανακύκλωση με τρόπο φιλικό προς το περιβάλλον σε επιχείρηση επεξεργασίας απορριμμάτων.

Ενημερωθείτε από τις τοπικές υπηρεσίες ή από ειδικευμένους εμπόρους σχετικά με κέντρα ανακύκλωσης και συλλογής απορριμμάτων.



Ηλεκτρικό εργαλείο κατηγορίας ασφάλειας II. Ηλεκτρικό εργαλείο στο οποίο η προστασία από ηλεκτροπληξία δεν εξαρτάται μόνο από την βασική μόνωση αλλά και από συμπληρωματικά μέτρα ασφαλείας όπως διπλή ή ενισχυμένη μόνωση. Δεν υπάρχει εξοπλισμός για να συνδεθεί με την γείωση.

Σήμα συμμόρφωσης CE



Εθνικό σήμα πιστότητας Ουκρανία



EurAsian σήμα πιστότητας.

**TEKNİK VERİLER**

	S 2500 E	S 4000 E
Üretim numarası .....	4133 58 02... 4134 32 02... ...000001-999999	4133 61 02... 4132 24 02... ...000001-999999
Giriş gücü .....	720 W	720 W
Çıkış gücü .....	360 W	360 W
Boştaki devir sayısı.....	0-2500 min <sup>-1</sup>	0-4000 min <sup>-1</sup>
Delerek vidalama kapasitesi.....	6,3 mm	6,3 mm
Altıgen vidalar (anahtar açıklığı).....	10 mm	10 mm
Hızlı vidalama kapasitesi.....	5,0 mm	5,0 mm
Üniversal adaptör girişi .....	1/4"	1/4"
Ağırlığı ise EPTA-üretici 01/2003'e göre.....	1,5 kg	1,4 kg

**Gürültü bilgileri**

Ölçüm değerleri EN 60745 e göre belirlenmektedir.  
Aletin A değerlendirmeli gürültü seviyesi tipik olarak şu değerdedir:

Ses basıncı seviyesi (Tolerans K=3dB(A)) .....	86,5 dB (A)	86,5 dB (A)
Akustik kapasite seviyesi (Tolerans K=3dB(A)) .....	97,5 dB (A)	97,5 dB (A)

**Koruyucu kulaklık kullanın!****Vibrasyon bilgileri**

Toplam titreşim değeri (üç yönün vektör toplamı) EN 60745'e göre belirlenmektedir:

titreşim emisyon değeri a <sub>h</sub>		
Vida ile tutturma.....	< 2,5 m/s <sup>2</sup>	< 2,5 m/s <sup>2</sup>
Tolerans K.....	1,5 m/s <sup>2</sup>	1,5 m/s <sup>2</sup>

**UYARI**

Bu talimatlarda belirtilen titreşim seviyesi, EN 60745 standardına uygun bir ölçme metodu ile ölçülmüştür ve elektrikli el aletleri birbirleriyle karşılaştırmak için kullanılabilir. Ölçüm sonuçları ayrıca titreşim yükünün geçici değerlendirilmesi için de uygundur.

Belirtilen titreşim seviyesi, elektrikli el aletinin genel uygulamaları için geçerlidir. Ancak elektrikli el aleti başka uygulamalar için, farklı eklenti parçalarıyla ya da yetersiz bakım koşullarında kullanılırsa, titreşim seviyesi farklılık gösterebilir. Bu durumda, titreşim yükü toplam çalışma zaman aralığı içerisinde belirgin ölçüde yükselebilir.

Titreşim yükünün tam bir değerlendirmesi için ayrıca cihazın kapalı olduğu süreler ve cihazın çalışır durumda olduğu, ancak gerçek kullanımda bulunmadığı süreler de dikkate alınmalıdır. Böylelikle, toplam çalışma zamanı aralığı boyunca meydana gelen titreşim yükü belirgin ölçüde azaltılabilir.

Kullanıcıyı titreşimlerin etkisinden korumak üzere, örneğin elektrikli el aletlerinin ve eklenti parçalarının bakımı, ellerin sıcak tutulması ve iş akışlarının organizasyonu gibi ek güvenlik tedbirleri belirleyiniz.

**⚠ UYARI! Bütün güvenlik notlarını ve talimatları okuyunuz.** Açıklanan uyarılara ve talimat hükümlerine uyulmadığı takdirde elektrik çarpmalarına, yangınlara ve/veya ağır yaralanmalara neden olunabilir.  
**Bütün uyarıları ve talimat hükümlerini ileride kullanmak üzere saklayın.**

**⚠ VIDALAMA MAKİNASI İÇİN UYARILAR**

**Kullandığınız aletin gizli ceryan kablolarına veya aletin kendi elektrik kablosuna temas etme olasılığı olduğunda aleti izolasyonlu saplarından tutunuz.** Voltaj altında kalan vida ile temas edilmesi, metal cihaz parçalarına elektrik akımı verebilir ve bu da elektrik çarpmasına neden olur.

**Tepmeli matkap olarak işleme için koruma cihazı taşıyınız.** Gürültü etkisi işleme kaybını etkiler.

**EK GÜVENLİK VE ÇALIŞMA TALİMATLARI**

Koruma teçhizatı kullanın.Makinada çalışırken devamlı surette koruyucu gözlük takın. Koruyucu elbise ve tozlardan koruma maskesi, emniyet eldivenleri ve sağlam ve kaymaya mukavim ayakkabı giyin. Başlık ve kulaklık tavsiye edilir.

Çalışma sırasında ortaya çıkan toz genellikle sağlığa zararlıdır ve bedeninize temas etmemelidir. Uygun bir koruyucu toz maskesi kullanın

Sağlık tehlikelerine neden olan malzemelerin işlenmesi yasaktır (örn. asbest).

Uca yerleştirilen takımın bloke olması halinde lütfen cihazı hemen kapatın! Uca yerleştirilen takım bloke olduğu sürece cihazı tekrar çalıştırmayın; bu sırada yüksek reaksiyon

momentine sahip bir geri tepme meydana gelebilir. Uca yerleştirilen takımın neden bloke olduğuna bakın ve bu durumu güvenlik uyarılarına dikkat ederek gidin.

Olası nedenler şunlar olabilir:

- İşlenen parça içinde takılma
- İşlenen malzemenin delinmesi
- Elektrikli alete aşırı yük binmesi

Ellerinizi çalışmakta olan makinenin içine uzatmayın.

Uca yerleştirilen takım kullanım sırasında ısınabilir.

**UYARI!** Yanma tehlikesi

- takım değiştirme sırasında
- aletin yere bırakılması sırasında

Alet çalışır durumda iken talaş ve kırpıntıları temizlemeye çalışmayın.

Bağlantı kablosunu aletten uzak tutun. Kablo daima aletin arkasında olmalıdır ve toplanmamalıdır.

Duvar, tavan ve zeminde delik açarken elektrik kablolarına, gaz ve su borularına dikkat edin.

İşlenen parçayı bir germe tertibatıyla emniyete alın. Emniyete alınmayan iş parçaları ağır yaralanmalar ve hasarlara neden olabilir.

Aletin kendinde bir çalışma yapmadan önce fişi prizden çekin.

**KULLANIM**

Bu vidalama makinesi tahta ve sacda vidalama işleri ve metal parçaların vidalanmasında kullanılabilir (kullanılan aksesuara göre).

Bu alet sadece belirtildiği gibi ve usulüne uygun olarak kullanılabilir.

**CE UYGUNLUK BEYANI**

Tek sorumlu olarak „Teknik Veriler“ bölümünde tarif edilen ürünün 2011/65/EU (RoHS), 2014/30/EU, 2006/42/EC sayılı direktifin ve aşağıdaki harmonize temel belgelerin bütün önemli hükümlerine uygun olduğunu beyan etmekteyiz:

EN 60745-1:2009 + A11:2010  
EN 60745-2-2:2010  
EN 55014-1:2006 + A1:2009 + A2:2011  
EN 55014-2:1997 + A1:2001 + A2:2008  
EN 61000-3-2:2014  
EN 61000-3-3:2013  
EN 50581:2012

Winnenden, 2016-03-29



Alexander Krug  
Managing Director

Teknik evrakları hazırlamakla görevlendirilmiştir.

Techtronic Industries GmbH  
Max-Eyth-Straße 10  
71364 Winnenden  
Germany

**ŞEBEKE BAĞLANTISI**

Açık havadaki prizler hatalı akım koruma şalteri (FI, RCD, PRCD) ile donatılmış olmalıdır. Bu, elektrik tesisatındaki bir zorunluluktur. Lütfen aletimizi kullanırken bu hususa dikkat edin.

Aleti sadece tek fazlı alternatif akıma ve tip etiketi üzerinde belirtilen şebeke gerilimine bağlayın, yapısı Koruma sınıfı II'ye girdiğinden alet koruyucu kontaklız prize de bağlanabilir.

Aleti sadece kapalı iken prize takın.

Bu cihaz profesyonelce kullanılan bir cihaz olup, kamuya ait alçak voltaj şebekesine bağlantı yapılırken elektrik üst dalgalanmalara alet yönlendirme değerlerini az bir şekilde aşabilir. Bu nedenle cihazı kamuya ait alçak voltaj şebekesine bağlamadan önce yetkili enerji tedarik şirketi ile irtibat kurun.

**BAKIM**

Aletin havalandırma aralıklarını daima temiz tutun.

Önemli açıklama! Yıpranan kömür fırçalar bir müşteri servisinde değiştirilmelidir. Bu sayede aletin kullanım ömrü uzar ve alet daima çalışmaya hazır olur.

Şebeke hatları hasarlı ise müşteri hizmetleri servisi tarafından değiştirilmesi gerekir, zira bunun için özel bir aparat gereklidir.

Sadece AEG aksesuarını ve yedek parçalarını kullanın. Değiştirilmesi açıklanmamış olan parçaları bir AEG müşteri servisinde değiştirin (Garanti broşürüne ve müşteri servisi adreslerine dikkat edin).

Gerektiği takdirde aletin dağıtım görünüş şeması, alet tipinin ve tip etiketi üzerindeki sayının bildirilmesi koşuluyla müşteri servisinden veya doğrudan Techtronic Industries GmbH, Max-Eyth-Straße 10, 71364 Winnenden, Germany adresinden istenebilir.

**SEMBOLLER**

DİKKAT! UYARI! TEHLİKE!



Aletin kendinde bir çalışma yapmadan önce fişi prizden çekin.



Lütfen aleti çalıştırmadan önce kullanma kılavuzunu dikkatli biçimde okuyun.



Elektrikli cihazların evsel atıklarla birlikte bertaraf edilmesi yasaktır. Elektrikli ve elektronik cihazlar ayrılarak biriktirilmeli ve çevreye zarar vermeden bertaraf edilmeleri için bir atık değerlendirme tesisine götürülmelidir. Yerel makamlara veya satıcınıza geri dönüşüm tesisleri ve atık toplama merkezlerinin yerlerini danışınız.



Koruma sınıfı II olan elektrikli aletler. Elektrik çarpmasına karşı korumanın sadece temel izolasyona bağlı olmayıp, aynı zamanda çift izolasyon veya takviyeli izolasyon gibi ek koruyucu önlemlerin alınmasına bağlı olan elektrikli alet. Bir koruyucu iletken bağlamak için düzeneği bulunmamaktadır.



CE işareti



Ulusal uygunluk işareti Ukrayna



EurAsian Uyumluluk işareti

**TECHNICKÁ DATA** **S 2500 E** **S 4000 E**

Výrobní číslo.....	4133 58 02... ..4133 61 02...
.....	4134 32 02... ..4132 24 02...
.....	...000001-999999 ..000001-999999
Jmenovitý příkon .....	720 W .....
Odběr.....	360 W .....
Počet otáček při běhu naprázdno.....	0-2500 min <sup>-1</sup> .....
Šamožezné šrouby do max.....	6,3 mm .....
Šrouby s šestihlannou hlavou (otvor klíče) .....	10 mm .....
Šrouby pro rychlou montáž do max.....	5,0 mm .....
Uchytení univerzálního držáku .....	1/4" .....
Hmotnost podle prováděcího předpisu EPTA 01/2003.....	1,5 kg.....

**Informace o hluku**  
 Naměřené hodnoty odpovídají EN 60745.  
 Typická vážená

Hladina akustického tlaku (Kolísavost K=3dB(A)).....	86,5 dB (A) .....	86,5 dB (A)
Hladina akustického výkonu (Kolísavost K=3dB(A)) .....	97,5 dB (A) .....	97,5 dB (A)

**Používejte chrániče sluchu !**

**Informace o vibracích**  
 Celkové hodnoty vibrací (vektorový součet tří směrů) zjištěné ve smyslu EN 60745.

Hodnota vibračních emisí a <sub>h</sub>	
Šroubování .....	< 2,5 m/s <sup>2</sup> .....
Kolísavost K.....	1,5 m/s <sup>2</sup> .....

**VAROVÁN**

Úroveň chvění uvedená v tomto návodu byla naměřena podle metody měření stanovené normou EN 60745 a může být použita pro porovnání elektrického nářadí. Hodí se také pro průběžný odhad zatížení chvěním.  
 Uvedená úroveň chvění představuje hlavní účely použití elektrického nářadí. Jestliže se ale elektrické nářadí používá pro jiné účely, s odlišnými nástroji nebo s nedostatečnou údržbou, může se úroveň chvění odlišovat. To může značně zvýšit zatížení chvěním během celé pracovní doby.

Pro přesný odhad zatížení chvěním se musí také zohlednit časy, během kterých je přístroj vypnutý nebo kdy je sice v chodu, ale skutečně se s ním nepracuje. To může zatížení chvěním během celé pracovní doby značně snížit.

Stanovte doplňková bezpečnostní opatření pro ochranu obsluhy před účinky chvění jako například: technická údržba elektrického nářadí a nástrojů, udržování teploty rukou, organizace pracovních procesů.

**UPOZORNĚNÍ! Přečtěte si všechny bezpečnostní pokyny a návody.** Zanedbání při dodržování varovných upozornění a pokynů mohou mít za následek úder elektrickým proudem, požár a/nebo těžká poranění.  
**Všechna varovná upozornění a pokyny do budoucna uschovejte.**

**BEZPEČNOSTNÍ PŘEDPISY PRO ŠROUBOVÁK**

**Přístroj držte za izolované plochy rukojeti, jestliže vykonáváte práce, při kterých by nasazený nástroj mohl zasáhnout skryté elektrické vedení nebo vlastní kabel.** Kontakt šroubu s vedením pod napětím může přivést napětí na kovové části přístroje a způsobit elektrický ráz.

**Při vrtání s přiklepem používejte prostředky k ochraně sluchu.** Nadměrný hluk může vést ke ztrátě sluchu.

**DALŠÍ BEZPEČNOSTNÍ A PRACOVNÍ POKYNY**

Použijte ochranné vybavení. Při práci s elektrickým nářadím používejte vždy ochranné brýle. Doporučujeme rovněž použití součástí ochranného oděvu a ochranné obuvi, jako protiprašné masky, ochranných rukavic, pevné a neklouzající obuvi, ochranné přilby a ochrany sluchu.

Prach vznikající při práci s tímto nářadím může být zdraví škodlivý. Proto by neměl přijít do styku s tělem. Používejte při práci vhodnou ochranou masku.

Nesměj se opravovat materiál, které mohou způsobit ohrožení zdraví (např. azbest)

Při zablokování nasazeného nástroje přístroj okamžitě vypněte! Přístroj nezapínejte, pokud je nasazený nástroj zablokovaný; mohl by při tom vzniknout zpětný náraz s vysokým reakčním momentem. Zjistěte příčinu zablokování

nasazeného nástroje a odstraňte ji při dodržení bezpečnostních pokynů.

- Možnými příčinami mohou být:
- vzpříčení v opracovávaném obrobku
  - přelomení opracovávaného materiálu
  - přetížení elektrického přístroje

Nezasahujte do běžícího stroje.

Nasazený nástroj se může během používání rozpálit. **VAROVÁNÍ!** Nebezpečí popálení.

- při výměně nástroje
- při odkládání přístroje

Pokud stroj běží, nesmí být odstraňovány třísky nebo odštěpky.

Neustále dbát na to, aby byl kabel pro připojení k elektrické síti mimo dosah stroje. Kabel vést vždy směrem dozadu od stroje.

Při vrtání do zdi, stropu nebo podlahy dávat pozor na elektrické kabely, plynová a vodovodní potrubí.

Obrobek zabezpečte upínacím zařízením. Nezabezpečené obrobky mohou způsobit těžká poranění a poškození.

Před zahájením veškerých prací na stroji vytáhnout síťovou zástrčku ze zásuvky.

**OBlast VYUŽITÍ**

Stavební šroubovák je určen k šroubování do dřeva a plechu a ke spojování kovových dílů (Podle použitého příslušenství.)

Toto zařízení lze používat jen pro uvedený účel.

**CE-PROHLÁŠENÍ O SHODĚ**

Výhradně na vlastní zodpovědnost prohlašujeme, že se výrobek popsaný v „Technických údajích“ shoduje se všemi relevantními předpisy směrnice 2011/65/EU (RoHS), 2014/30/EU, 2006/42/ES a s následujícími harmonizovanými normativními dokumenty:

- EN 60745-1:2009 + A11:2010
- EN 60745-2-2:2010
- EN 55014-1:2006 + A1:2009 + A2:2011
- EN 55014-2:1997 + A1:2001 + A2:2008
- EN 61000-3-2:2014
- EN 61000-3-3:2013
- EN 50581:2012

Winnenden, 2016-03-29

*Alexander Krug*

Alexander Krug  
 Managing Director



Zplnomocněn k sestavování technických podkladů.

Techtronic Industries GmbH  
 Max-Eyth-Straße 10  
 71364 Winnenden  
 Germany

**PŘIPOJENÍ NA SÍŤ**

Ve venkovním prostředí musí být zásuvky vybaveny proudovým chráničem (FI, RCD, PRCD). Je to vyžadováno instalačním předpisem pro toto el.zařízení. Dodržujte ho při používání tohoto nářadí, prosím.

Připojit pouze do jednofázové střídavé sítě o napětí uvedeném na štítku. Lze připojit i do zásuvky bez ochranného kontaktu neboť spotřebič je třídy II. Přívodní kabel zapojit do zásuvky jen při vypnutém stroji.

Toto je přístroj k profesionálnímu užívání, který může mírně překračovat směrné hodnoty pro harmonické vlny při připojení na veřejnou nízkonapěťovou síť. Kontaktujte proto před připojením přístroje na veřejnou nízkonapěťovou síť svého příslušného dodavatele energie.

**ÚDRŽBA**

Větrací štěrbinu nářadí udržujeme stále čisté.

Při obroušení uhlíků je nutná jejich výměna v odborném servisu. Zaručujeme to i prodloužení životnosti stroje a jeho spolehlivost v provozu.

Dojde-li k poškození přívodního kabelu, nechte jej vyměnit v autorizovaném servisu, protože k výměně je zapotřebí speciální nástroj.

Používejte výhradně náhradní díly a příslušenství AEG. Díly, jejichž výměna nebyla popsána, nechávejte vyměnit v odborném servisu AEG. (Viz záruční list.)

Při potřebě podrobného rozkresu konstrukce, oslovte informaci o typu a čísle přímo servis a nebo výrobce, Techtronic Industries GmbH, Max-Eyth-Straße 10, 71364 Winnenden, Germany.

**SYMBOLY**



POZOR! VAROVÁN! NEBEZPEČÍ!



Před zahájením veškerých prací na stroji vytáhnout síťovou zástrčku ze zásuvky.



Před spuštěním stroje si pečlivě přečtěte návod k používání.



Elektrické přístroje se nesmí likvidovat společně s odpadem z domácnosti. Elektrické a elektronické přístroje je třeba sbírat odděleně a odevzdat je v recyklačním podniku na ekologickou likvidaci. Na místních úřadech nebo u vašeho specializovaného prodejce se informujte na recyklační podniky a sběrné dvory.



Elektrický přístroj s třídou ochrany II. Elektrický přístroj, u kterého ochrana před zásahem el. proudem závisí nejen na základní izolaci, ale i na tom, že budou použita také doplňková ochranná opatření, jakými jsou dvojitá izolace nebo zesílená izolace. Neexistuje žádné zařízení pro připojení ochranného vodiče.



Značka CE



Národní znak shody Ukrajiny



Euroasijská značka shody

**TECHNICKÉ ÚDAJE** **S 2500 E** **S 4000 E**

Výrobné číslo.....	4133 58 02... ..4133 61 02...	4134 32 02... ..4132 24 02...
.....	...000001-999999	...000001-999999
Menovitý príkon.....	720 W.....720 W	360 W.....360 W
Výkon.....	0-2500 min <sup>-1</sup> .....0-4000 min <sup>-1</sup>	6,3 mm.....6,3 mm
šamozrezná skrútky do max.....	10 mm.....	5,0 mm.....5,0 mm
Šesťhranná matice (veľkosť kľúča).....	1/4".....1/4"	1,5 kg.....1,4 kg
stavebné rýchloskrútky do max.....		
Upnutie univerzálneho držiaka.....		
Hmotnosť podľa vykonávacieho predpisu EPTA 01/2003.....		

**Informácia o hluku**

Namerané hodnoty určené v súlade s EN 60745.

A-ohodnotená hladina akustického tlaku prístroja cíní

Hladina akustického tlaku (Kolísavosť K=3dB(A)).....	86,5 dB (A).....86,5 dB (A)
Hladina akustického výkonu (Kolísavosť K=3dB(A)).....	97,5 dB (A).....97,5 dB (A)

**Používajte ochranu sluchu!**

**Informácie o vibráciách**

Celkové hodnoty vibrácií (vektorový súčet troch smerov) zistené v zmysle EN 60745.

Hodnota vibračných emisií a <sub>h</sub>	
Skrutkovanie.....	< 2,5 m/s <sup>2</sup> .....< 2,5 m/s <sup>2</sup>
Kolísavosť K.....	1,5 m/s <sup>2</sup> .....1,5 m/s <sup>2</sup>

**POZOR**

Úroveň vibrácií uvedená v týchto pokynoch bola nameraná meracou metódou, ktorú stanovuje norma EN 60745 a je možné ju použiť na vzájomné porovnanie elektrického náradia. Hodí sa aj na predbežné posúdenie kmitavého namáhania.

Uvedená úroveň vibrácií reprezentuje hlavné aplikácie elektrického náradia. Ak sa však elektrické náradie používa pre iné aplikácie, s odlišnými vložnými nástrojmi alebo s nedostatočnou údržbou, môže sa úroveň vibrácií líšiť. Toto môže kmitavé namáhanie v priebehu celej pracovnej doby podstatne zvýšiť.

Pre presný odhad kmitavého namáhania by sa mali tiež zohľadniť doby, v ktorých je náradie vypnuté alebo je síce v chode, ale v skutočnosti sa nepoužíva. Toto môže kmitavé namáhanie v priebehu celej pracovnej doby zreteľne redukovať.

Stanovte dodatočné bezpečnostné opatrenia pre ochranu obsluhy pred účinkami vibrácií, ako napríklad: údržba elektrického náradia a vložených nástrojov, udržiavanie teploty rúk, organizácia pracovných postupov.

**⚠ UPOZORNENIE! Prečítajte si všetky bezpečnostné pokyny a návody.** Zanedbanie dodržiavania Výstražných upozornení a pokynov uvedených v nasledujúcom texte môže mať za následok zásah elektrickým prúdom, spôsobiť požiar a/alebo ťažké poranenie.

**Tieto Výstražné upozornenia a bezpečnostné pokyny starostlivo uschovajte na budúce použitie.**

**⚠ BEZPEČNOSTNÉ PREDPISY PRE UŤAHOVAČKU**

**Prístroj držte na izolovaných plochách rukoväte, keď vykonávate práce, pri ktorých by nasadený nástroj mohol zasiahnuť skryté elektrické vedenie alebo vlastný kábel.** Stik svedra z elektrickým vodníkom ľahko kovinske deli naprave spravi pod napetost in vodi do elektrického udara.

**Pri vrtaní s priklepom používajte prostriedky k ochrane sluchu.** Nadmerný hluk môže viesť k strate sluchu.

**ĎALŠIE BEZPEČNOSTNÉ A PRACOVNÉ POKYNY**

Použite ochranné vybavenie. Pri práci s elektrickým náradím používajte vždy ochranné okuliare. Doporučujeme taktiež použitie súčastí ochranného odevu a ochrannej obuvi, ako sú protiprašná maska, ochranné rukavice, pevná a nekľzajúca obuv, ochranná prilba a ochrana sluchu.

Prach vznikajúci pri práci môže byť škodlivý zdraviu. Pri práci nosiť vhodnú ochrannú masku, aby sa nedostal do ľudského organizmu.

Nesmú sa opravovať materiály, ktoré môžu spôsobiť ohrozenie zdravia (napr. azbest)

Pri zablokovaní nasadeného nástroja prístroj okamžite vypnite! Prístroj nezapínajte, pokiaľ je nasadený nástroj

zablokovaný; mohol by pri tom vzniknúť spätný náraz s vysokým reakčným momentom. Príčinu zablokovania nasadeného nástroja zistite a odstráňte so zohľadnením bezpečnostných pokynov.

Možnými príčinami môžu byť:

- spriečenie v opracovávanom obrobru
- prelomenie opracovávaného materiálu
- preťaženie elektrického prístroja

Nezasahujte do bežiacieho stroja.

Nasadený nástroj sa počas používania môže rozhorúčiť.

**POZOR!** Nebezpečenstvo popálenia

- pri výmene nástroja
- pri odkladaní prístroja

Triesky alebo úlomky sa nesmú odstraňovať za chodu stroja.

Pripojovací kábel držte mimo pracovnej oblasti stroja. Kábel smerujte vždy smerom dozadu od stroja.

Pri práci v stene, strope alebo v podlahe dávajte pozor na elektrické káble, plynové a vodovodné potrubia.

Obrobok zabezpečte upínacím zariadením. Nebezpečné obroby môžu spôsobiť ťažké poranenia a poškodenia.

Pred každou prácou na stroji vyťahnite zástrčku zo zásuvky.

**POUŽITIE PODĽA PREDPISOV**

Montážny skrutkovač je vhodný na skrútkovanie do dreva a plechu a na zoskrútkovanie kovových dielcov (podľa použitého príslušenstva).

Tento prístroj sa smie používať len v súlade s uvedenými predpismi.

**CE - VYHLÁSENIE KONFORMITY**

Výhradne na vlastnú zodpovednosť vyhlasujeme, že výrobok popísaný v „Technických údajoch“ sa zhoduje so všetkými relevantnými predpismi smernice 2011/65/EU (RoHS), 2014/30/EU, 2006/42/EC a nasledujúcimi harmonizujúcimi normatívnymi dokumentmi:

- EN 60745-1:2009 + A11:2010
- EN 60745-2-2:2010
- EN 55014-1:2006 + A1:2009 + A2:2011
- EN 55014-2:1997 + A1:2001 + A2:2008
- EN 61000-3-2:2014
- EN 61000-3-3:2013
- EN 50581:2012

Winnenden, 2016-03-29

*Alexander Krug*

Alexander Krug  
Managing Director

Splnomocnený zostaviť technické podklady.

Techtronic Industries GmbH  
Max-Eyth-Straße 10  
71364 Winnenden  
Germany

**SIETOVÁ PRÍPOJKA**

Zásuvky vo vonkajšom prostredí musia byť vybavené ochranným spínačom proti prudovým nárazom (FI, RCD, PRCD). Toto je inštalčný predpis na Vaše elektrické zariadenie. Venujte prosím tomuto pozornosť pri používaní nášho prístroja.

Pripájajte len na jednofázový striedavý prúd a na sieťové napätie uvedené na štítku. Pripojenie je možné aj do zásuviek bez ochranného kontaktu, pretože ide o konštrukciu ochrannej triedy II.

Do zásuvky pripájajte len vypnutý prístroj.

Tento prístroj je určený na profesionálne použitie a môže orientačne hodnoty špičkového prúdu pri pripojení na verejnú rozvodnú sieť nepatne prekračovať. Preto sa pred jeho pripojením na verejnú rozvodnú sieť spojte so svojim elektrozásobovacím podnikom.

**ÚDRZBA**

Vetracie otvory udržiavať stále v čistote.

Pri opotrebovaných uhlíkových kefách by sa mala vykonať okrem výmeny uhlíkových kief v zákaznickom centre aj prehliadka prístroja. Toto predlžuje životnosť prístroja a zaručuje stálu funkčnosť.

Aj dôjde k poškodeniu prívodného kábla, nechajte ho vymeniť v autorizovanom servise, pretože k výmene je potrebný špeciálny nástroj.

Používať len AEG príslušenstvo a náhradné diely. Súčiastky bez návodu na výmenu treba dat vymeniť v jednom z AEG zákaznických centier (viď brožúru Záruka/Adresa zákaznických centier).

Pri udaní typu stroja a čísla nachádzajúceho sa na štítku dá sa v prípade potreby vyžadovať explozívna schéma prístroja od vášho zákaznického centra alebo priamo v Techtronic Industries GmbH, Max-Eyth-Straße 10, 71364 Winnenden, Germany.

**SYMBOLY**



POZOR! NEBEZPEČENSTVO!



Pred každou prácou na stroji vyťahnite zástrčku zo zásuvky.



Pred prvým použitím prístroja si pozorne prečítajte návod na obsluhu.



Elektrické prístroje sa nesmú likvidovať spolu s odpadom z domácnosti. Elektrické a elektronické prístroje treba zbierať oddelene a odovzdať ich v recyklačnom podniku na ekologickú likvidáciu. Na miestnych úradoch alebo u vášho špecializovaného predajcu sa spýtajte na recyklačné podniky a zberné dvory.



Elektrický prístroj triedy ochrany II. Elektrický prístroj, pri ktorom ochrana pred zásahom el. prúdom závisí nie len od základnej izolácie, ale aj od toho, že budú použité aj doplnkové ochranné opatrenia, akými sú dvojitá izolácia alebo zosilnená izolácia. Neexistuje žiadne zariadenie na pripojenie ochranného vodiča.



Značka CE



Národný znak zhody Ukrajiny



Euroázijská značka zhody



## DANE TECHNICZNE

	S 2500 E	S 4000 E
Numer produkcyjny.....	4133 58 02... .....4134 32 02... .....000001-999999	4133 61 02... .....4132 24 02... .....000001-999999
Znamionowa moc wyjściowa.....	720 W	720 W
Moc wyjściowa.....	360 W	360 W
Prędkość bez obciążenia.....	0-2500 min <sup>-1</sup>	0-4000 min <sup>-1</sup>
Wkręty samogwintujące max.....	6,3 mm	6,3 mm
Wkręty z łbem z gniazdem sześciokątnym (szerokość klucza).....	10 mm	-
Śruby do muru suchego max.....	5,0 mm	5,0 mm
Gniazdo uniwersalne.....	1/4"	1/4"
Ciężar wg procedury EPTA 01/2003.....	1,5 kg	1,4 kg

### Informacja dotycząca szumów

Zmierzone wartości wyznaczono zgodnie z normą EN 60745.

Typowy poziom ciśnienia akustycznego mierzony wg krzywej A:

Poziom ciśnienia akustycznego (Niepewność K=3dB(A)).....	86,5 dB (A)	86,5 dB (A)
Poziom mocy akustycznej (Niepewność K=3dB(A)).....	97,5 dB (A)	97,5 dB (A)

### Należy używać ochroniaczy uszu!

### Informacje dotyczące wibracji

Wartości łączne drgań (suma wektorowa trzech kierunków) wyznaczone zgodnie z normą EN 60745

Wartość emisji drgań a<sub>h</sub>

Przykręcanie.....	< 2,5 m/s <sup>2</sup>	< 2,5 m/s <sup>2</sup>
Niepewność K.....	1,5 m/s <sup>2</sup>	1,5 m/s <sup>2</sup>

### OSTRZEŻENIE

Podany w niniejszych instrukcjach poziom drgań został zmierzony za pomocą metody pomiarowej zgodnej z normą EN 60745 i może być użyty do porównania ze sobą elektronarzędzi. Nadaje się on również do tymczasowej oceny obciążenia wibracyjnego.

Podany poziom drgań reprezentuje główne zastosowania elektronarzędzia. Jeśli jednakże elektronarzędzie użyte zostanie do innych celów z innymi narzędziami roboczymi lub nie jest dostatecznie konserwowane, wtedy poziom drgań może wykazywać odchylenia. Może to wyraźnie zwiększyć obciążenie wibracjami przez cały okres pracy.

Dla dokładnego określenia obciążenia wibracjami należy uwzględnić również czasy, w których urządzenie jest wyłączone względnie jest włączone, lecz w rzeczywistości nie pracuje. Może to spowodować wyraźną redukcję obciążenia wibracyjnego w całym okresie pracy.

Należy wprowadzić dodatkowe środki zapobiegawcze celem ochrony obsługującego przed oddziaływaniem drgań, jak na przykład: konserwacja narzędzi roboczych i elektronarzędzi, nagrzanie rąk, organizacja przebiegu pracy.

**▲ OSTRZEŻENIE! Należy przeczytać wszystkie wskazówki dotyczące bezpieczeństwa i instrukcje.** Błędy w przestrzeganiu poniższych wskazówek mogą spowodować porażenie prądem, pożar i/lub ciężkie obrażenia ciała.  
**Należy starannie przechowywać wszystkie przepisy i wskazówki bezpieczeństwa dla dalszego zastosowania.**

### ▲ WSKAZÓWKI BEZPIECZEŃSTWA DOT. WKRĘTARKI

**W przypadku wykonywania prac, przy których narzędzie robocze może natrafić na ukryte przewody prądowe lub na własny kabel, urządzenie należy trzymać za izolowane uchwyty.** Kontakt śruby z przewodem pod napięciem może spowodować podłączenie części metalowych urządzenia do napiecia i prowadzić do porażenia prądem elektrycznym.

**Do wiercenia udarowego należy zakładać ochronniki słuchu.** Hałas może powodować utratę słuchu.

### DODATKOWE WSKAZÓWKI BEZPIECZEŃSTWA I INSTRUKCJE ROBOCZE

Stosować wyposażenie ochronne. Przy pracy maszyną zawsze nosić okulary ochronne. Zalecana jest odzież ochronna, jak maska pyłochronna, rękawice ochronne, mocne i chroniące przed poślizgiem obuwie, kask i ochronniki słuchu.

Kurz powstający przy pracy z tym elektronarzędziem może być szkodliwy dla zdrowia, w związku z tym nie powinien dotrzeć do ciała. Nosić odpowiednią maskę przeciwpylemą.

Nie wolno obrabiać materiałów, które mogą być przyczyną zagrożenia zdrowia (na przykład azbestu).

W przypadku zablokowania narzędzia nasadzanego należy natychmiast wyłączyć urządzenie! Nie należy ponownie włączać urządzenia tak długo, jak długo narzędzie nasadzone jest zablokowane; przy tym mogłyby powstać odrzut zwrotny o dużym momencie reakcyjnym. Należy wykryć i usunąć przyczynę zablokowania narzędzia nasadzanego uwzględniając wskazówki dotyczące bezpieczeństwa.

Możliwymi przyczynami tego mogą być:

- Skośnie ustawienie się w poddawany obróbcie przedmiocie obrabianym
- Przerwanie materiału poddawanego obróbcie
- Przeciążenie narzędzia elektrycznego

Nie należy sięgać do wnętrza maszyny będącej w ruchu.

Narzędzie nasadzone może w trakcie użytkowania stać się gorące.

**OSTRZEŻENIE!** Niebezpieczeństwo oparzenia się

- przy wymianie narzędzia
- przy odstawianiu urządzenia

Podczas pracy elektronarzędzia nie wolno usuwać trocin ani drzazg.

Kabel zasilający nie może znajdować się w obszarze roboczym elektronarzędzia. Powinien on się zawsze znajdować się za operatorem.

Podczas pracy przy ścianach, sufitach i podłodze należy uważać na kable elektryczne, przewody gazowe i wodociągowe.

Należy zabezpieczyć przedmiot poddawany obróbcie za pomocą urządzenia mocującego. Niezabezpieczone przedmioty poddawane obróbcie mogą spowodować ciężkie obrażenia ciała i uszkodzenia.

Przed przystąpieniem do jakichkolwiek prac związanych z elektronarzędziem należy wyjąć wtyczkę z gniazdka.

### WARUNKI UŻYTKOWANIA

Wkrętarkę można wykorzystywać do wiercenia w drewnie lub metalu.

Produkt można użytkować wyłącznie zgodnie z jego normalnym przeznaczeniem.

### DEKLARACJA ZGODNOŚCI CE

Oświadczamy na naszą wyłączną odpowiedzialność, że produkt opisany w punkcie „Dane techniczne” jest zgodny ze wszystkimi istotnymi przepisami Dyrektywy 2011/65/EU (RoHS), 2014/30/UE, 2006/42/WE oraz z następującymi zharmonizowanymi dokumentami normatywnymi:

EN 60745-1:2009 + A11:2010  
EN 60745-2-2:2010  
EN 55014-1:2006 + A1:2009 + A2:2011  
EN 55014-2:1997 + A1:2001 + A2:2008  
EN 61000-3-2:2014  
EN 61000-3-3:2013  
EN 50581:2012

Winnenden, 2016-03-29



Alexander Krug  
Managing Director



Uppełnomocniony do zestawienia danych technicznych

Techtronic Industries GmbH  
Max-Eyth-Straße 10  
71364 Winnenden  
Germany

### PODŁĄCZENIE DO SIECI

Urządzenia pracujące w wielu różnych miejscach, w tym poza pomieszczeniami zamkniętymi, należy podłączać poprzez ochronny (FI, RCD, PRCD) wyłącznik udarowy.

Podłączać tylko do źródła zasilania prądem zmiennym jednofazowym i wyłącznie o napięciu podanym na tabliczce znamionowej. Możliwe jest również podłączenie do gniazdka bez uziemienia, ponieważ konstrukcja odpowiada II klasie bezpieczeństwa.

Przed włożeniem wtyczki do gniazdka upewnić się, czy urządzenie jest wyłączone.

Jest to urządzenie do użytku profesjonalnego, które w przypadku podłączenia do publicznej sieci niskiego napięcia może przekroczyć wskaźniki wyższych harmonicznych prądowych. Dlatego też przed podłączeniem do publicznej sieci niskiego napięcia należy skontaktować się, w razie potrzeby, z właściwym przedsiębiorstwem energetycznym.

### UTRZYMANIE I KONSERWACJA

Otwory wentylacyjne elektronarzędzia muszą być zawsze drożne.

Ważne! W przypadku zużycia szczotek węglowych po ich wymianie elektronarzędzie należy przekazać do serwisu obsługi posprzedażnej. Zapewni to długi okres użytkowania i maksymalne osiągi elektronarzędzia.

Jeżeli kabel zasilania sieciowego jest uszkodzony, musi on być wymieniony przez serwis naprawczy, ponieważ niezbędne jest specjalne narzędzie.

Należy stosować wyłącznie wyposażenie dodatkowe i części zamienne AEG. W przypadku konieczności wymiany części, dla których nie podano opisu, należy skontaktować się z przedstawicielami serwisu AEG (patrz lista punktów obsługi gwarancyjnej/serwisowej).

Na życzenie można otrzymać rysunek widoku zespołu rozebranego. Przy zamawianiu należy podać numer oraz typ elektronarzędzia umieszczony na tabliczce znamionowej. Zamówienia można dokonać albo u lokalnych przedstawicieli serwisu, albo bezpośrednio w Techtronic Industries GmbH, Max-Eyth-Straße 10, 71364 Winnenden, Germany.

### SYMBOLS



UWAGA! OSTRZEŻENIE  
NIEBEZPIECZEŃSTWO!



Przed przystąpieniem do jakichkolwiek prac związanych z elektronarzędziem należy wyjąć wtyczkę z gniazdka.



Przed uruchomieniem elektronarzędzia zapoznać się uważnie z treścią instrukcji.



Urządzenia elektryczne nie mogą być usuwane razem z odpadami pochodzącymi z gospodarstw domowych. Urządzenia elektryczne i elektroniczne należy gromadzić oddzielnie i w celu usunięcia ich do odpadów zgodnie z wymaganiami środowiska naturalnego oddawać do przedsiębiorstwa utylizacyjnego. Proszę zasięgnąć informacji o centrach recyklingowych i punktach zbiorczych u władz lokalnych lub u wyspecjalizowanego dostawcy.



Elektronarzędzie klasy ochrony II. Elektronarzędzie, w którym zabezpieczenie przed porażeniem prądowym zależy nie tylko od izolacji podstawowej, lecz również od tego, czy zostały zastosowane dodatkowe środki ochrony, takie jak: izolacja podwójna lub izolacja wzmacniona. Nie ma żadnego urządzenia do podłączenia przewodu ochronnego.



Znak CE



Krajowy znak zgodności Ukraina



Znak zgodności EurAsian

MŰSZAKI ADATOK	S 2500 E	S 4000 E
Gyártási szám.....	4133 58 02... .....4134 32 02... .....000001-999999	4133 61 02... .....4132 24 02... .....000001-999999
Névleges teljesítményfelvétel.....	720 W	720 W
Leadott teljesítmény.....	360 W	360 W
Üresjárat fordulatszám.....	0-2500 min <sup>-1</sup>	0-4000 min <sup>-1</sup>
Önmetsző csavar max. -ig.....	6,3 mm	6,3 mm
Hatlapfejű csavar (kulcsszélesség).....	10 mm	10 mm
Gipszkarton csavar max.....	5,0 mm	5,0 mm
Univerzális befogás.....	1/4"	1/4"
Súly a 01/2003 ÉPTA-eljárás szerint.....	1,5 kg	1,4 kg

#### Zajinformáció

A közölt értékek megfelelnek az EN 60745 szabványnak.

Szabvány szerinti A-értékelésű hangszint:

Hangnyomás szint (K bizonytalanság=3dB(A))..... 86,5 dB (A) ..... 86,5 dB (A)

Hangteljesítmény szint (K bizonytalanság=3dB(A))..... 97,5 dB (A) ..... 97,5 dB (A)

#### Hallásvédő eszköz használata ajánlott!

#### Vibráció-információk

Összesített rezgésértékek (három irány vektoriális összege)

az EN 60745-nek megfelelően meghatározva.

a, rezgésemmisszió érték

Csavarozás..... < 2,5 m/s<sup>2</sup>..... < 2,5 m/s<sup>2</sup>

K bizonytalanság..... 1,5 m/s<sup>2</sup>..... 1,5 m/s<sup>2</sup>

#### FIGYELMEZTETÉS

A jelen utasításokban megadott rezgésszint értéke az EN 60745-ben szabályozott mérési eljárásnak megfelelően került leérésre, és használható elektromos szerszámokkal történő összehasonlításhoz. Az érték alkalmas a rezgésterhelés előzetes megbecslésére is.

A megadott rezgésszint-érték az elektromos szerszám legfőbb alkalmazásait reprezentálja. Ha az elektromos szerszámot azonban más alkalmazásokhoz, eltérő használt szerszámokkal vagy nem elegendő karbantartással használják, a rezgésszint értéke eltérő lehet. Ez jelentősen megnövelheti a rezgésterhelést a munkavégzés teljes időtartama alatt.

A rezgésterhelés pontos megbecsléséhez azokat az időket is figyelembe kell venni, melyekben a készülék lekapcsolódik, vagy ugyan működik, azonban ténylegesen nincs használatban. Ez jelentősen csökkentheti a rezgésterhelést a munkavégzés teljes időtartama alatt.

Határozzon meg további biztonsági intézkedéseket a kezelő védelmére a rezgések hatása ellen, például: az elektromos és a használt szerszámok karbantartásával, a kezek melegen tartásával, a munkafolyamatok megszerkesztésével.

**▲ FIGYELMEZTETÉS! Olvasson el minden biztonsági útmutatót és utasítást. A következőkben leírt előírások betartásának elmulasztása áramütésekhez, tűzhoz és/vagy súlyos testi sérülésekhez vezethet.**

**Kérjük a későbbi használatra gondosan őrizze meg ezeket az előírásokat.**

#### ▲ BIZTONSÁGI ÚTMUTATÁSOK CSAVAROZÓGÉPHEZ

**A szigetelt markolatfelületen fogja a készüléket, ha olyan munkákat végez, amelyeknél a használt szerszám rejtett villamos vezetékkel vagy a saját kábelével érintkezhet. A csavar feszültségvezető vezetékkel érintkezve fém alkatrészeket helyezhet feszültség alá, és elektromos áramütést idézhet elő.**

**Ütvefűráskor viseljen hallásvédőt. A zaj hatása hallásvesztést okozhat.**

#### TOVÁBBI BIZTONSÁGI ÉS MUNKAVÉGZÉSI UTASÍTÁSOK

Használjon védőfelszerelést! Ha a gépen dolgozik, mindig hordjon védőszemüveget! Javasoljuk a védőruházat, úgymint porvédő maszk, védőcipő, erős és csúszásbiztos lábbeli, sisak és hallásvédő használatát.

A munka során keletkező por gyakran egészségre káros, ezért ne kerüljön a szervezetbe. Hordjon e célra alkalmas porvédőmaszkot.

Nem szabad olyan anyagokat megmunkálni, amelyek egészségre veszélyesek (pl. azbesztet).

A betétszerszám elakadásakor azonnal ki kell kapcsolni a készüléket! Addig ne kapcsolja vissza a készüléket, amíg a betétszerszám elakadása fennáll; ennek során nagy

ellennyomatékú visszarúgás történhet. Határozza és szüntesse meg a betétszerszám elakadásának okát a biztonsági útmutatások betartása mellett.

Ennek következők lehetnek az okai:

- a szerszám elakad a megmunkálendő munkadarabban
- a megmunkálendő anyag átszakadt
- az elektromos szerszám túlterhelése

Ne nyúljon a járó gépbe.

A betétszerszám az alkalmazás során felforrósodhat.

#### FIGYELMEZTETÉS! Égési sérülések veszélye

- szerszámcserekor
- a készülék lerakásakor

A munka közben keletkezett forgácsokat, szilánkokat, törmelékét, stb. csak a készülék teljes leállása után szabad a munkaterületről eltávolítani.

Munka közben a hálózati csatlakozókábelt a sérülés elkerülése érdekében a munkaterületől, illetve a készüléktől távol kell tartani.

Falban, födében, aljzatban történő fűrásnál fokozottan ügyelni kell az elektromos-, víz- és gázvezetésekre.

Biztosítsa munkadarabot befogó szerkezettel. A nem biztosított munkadarabok súlyos sérüléseket és árokat okozhatnak.

Bármilyen jellegű karbantartás vagy javítás előtt a készüléket áramtalanítani kell.

#### RENDELTESSZERŰ HASZNÁLAT

A csavarozó fába és fémlemezbe történő csavarozáshoz, illetve szerszámtól függően fémrészek összecsavarozásához használható.

A készüléket kizárólag az alábbiakban leírtaknak megfelelően szabad használni.

#### CE-AZONOSÍTÁSI NYILATKOZAT

Egyedüli felelősséggel kijelentjük, hogy a „Műszaki Adatok” alatt leírt termék a 2011/65/EU (RoHS), 2014/30/EU, 2006/42/EK irányelvek minden releváns előírásának, ill. az alábbi harmonizált normatív dokumentumoknak megfelel:

EN 60745-1:2009 + A11:2010

EN 60745-2-2:2010

EN 55014-1:2006 + A1:2009 + A2:2011

EN 55014-2:1997 + A1:2001 + A2:2008

EN 61000-3-2:2014

EN 61000-3-3:2013

EN 50581:2012

Winnenden, 2016-03-29

*Alexander Krug*

Alexander Krug  
Managing Director



Műszaki dokumentáció összeállításra felhatalmazva

Techtronic Industries GmbH  
Max-Eyth-Straße 10  
71364 Winnenden  
Germany

#### HÁLÓZATI CSATLAKOZTATÁS

Szabadban a dugóját hibaáram-védőkapcsolóval kell ellátni. Az elektromos készülékek üzembehelyezési útmutatása ezt kötelezően előírja (FI, RCD, PRCD). Ügyeljen erre az elektromos kéziszerszámok használatakor is.

A készüléket csak egyfázisú váltóáramra és a teljesítménytáblán megadott hálózati feszültségre csatlakoztassa. A csatlakoztatás védőérintkező nélküli dugaszolóaljzatokra is lehetséges, mivel a készülék felépítése II. védettségi osztályú.

Mielőtt áram alá helyezi a gépet, győződjön meg róla, hogy a gép ki van kapcsolva.

Ez egy professzionális használatra szánt készülék, amely az áram felharmonikusokra vonatkozó irányértékeket a kifestültség nyilvános hálózathoz való csatlakozásnál kismértékben túllépheti. A készülék kifestültség nyilvános hálózathoz való csatlakoztatása előtt ezért adott esetben vegye fel a kapcsolatot illetékes energiaszolgáltató vállalatával.

#### KARBANTARTÁS

A készülék szellőzőnyílásait mindig tisztán kell tartani.

Az elhasználdott szénkefeket az illetékes márkaszervizzel haladéktalanul kell kicseréltetni, így jelentősen megnövelhető a készülék élettartama és garantált a folyamatos üzemkész állapot.

Ha a hálózati csatlakozóvezeték megsérült, akkor azt ügyfélszolgálati hely által kell kicseréltetni, mert ahhoz speciális szerszám szükséges.

Javításhoz, karbantartáshoz kizárólag AEG alkatrészeket és tartozékokat szabad használni. A készülék azon részeinek cseréjét, amit a kezelési útmutató nem engedélyez, kizárólag a javításra feljogosított márkaszervíz végezheti. (Lásd a szervizlistát)

Szükség esetén a készülékek robbantott ábráját - a készülék típusa és azonosító száma alapján a területileg illetékes AEG márkaszerviztől vagy közvetlenül a gyártótól

(Techtronic Industries GmbH, Max-Eyth-Straße 10, 71364 Winnenden, Germany) lehet kérni.

#### SZIMBÓLUMOK



FIGYELEM! FIGYELMEZTETÉS! VESZÉLY!



Bármilyen jellegű karbantartás vagy javítás előtt a készüléket áramtalanítani kell.



Kérjük alaposan olvassa el a tájékoztatót mielőtt a gépet használja.



Az elektromos eszközöket nem szabad a háztartási hulladékkal együtt ártalmatlanítani. Az elektromos és elektronikus eszközöket szelektíven kell gyűjteni, és azokat környezetbarát ártalmatlanítás céljából hulladékhasznosító üzemben kell leadni. A helyi hatóságoknál vagy szakkereskedőjénél tájékozódjon a hulladékudvarokról és gyűjtőhelyekről.



II. védelmi osztályú elektromos szerszám. Olyan elektromos szerszám, amelynél az elektromos áramütés elleni védelem nem csak az alapszigeteléstől függ, hanem amelyben kiegészítő védőintézkedéseket, mint pl. kettős szigetelés vagy megerősített szigetelés, alkalmaznak. Nincs lehetőségg védőQérintkezéssel csatlakoztatására.



CE-jelölés



Ukrán nemzeti megfelelőségi jelölés



Eurázsiai megfelelőségi jelzés.

TEHNIČNI PODATKI	S 2500 E	S 4000 E
Proizvodna številka.....	4133 58 02... ..4133 61 02...	4133 61 02... ..4133 24 02...
.....	4134 32 02... ..4132 24 02...	4132 24 02... ..4132 24 02...
.....	...000001-999999 .....	...000001-999999 .....
Nazivna sprejemna moč.....	720 W .....	720 W .....
Oddajna zmogljivost.....	360 W .....	360 W .....
Število vrtiljav v prostem teku.....	0-2500 min <sup>-1</sup> .....	0-4000 min <sup>-1</sup> .....
Šamovrezovalni vijaki do maks.....	6,3 mm .....	6,3 mm .....
Šesterorobni vijaki (velikost ključa).....	10 mm .....	10 mm .....
Hitri gradbeni vijaki do maks.....	5,0 mm .....	5,0 mm .....
Sprejem univerzalnega držala.....	1/4" .....	1/4" .....
Teža po EPTA-proceduri 01/2003.....	1,5 kg .....	1,4 kg .....

#### Informacije o hrupnosti

Vrednosti merjenja ugotovljene ustrežno z EN 60745.

A ocenjeni nivo zvočnega tlaka znaša tipično

Nivo zvočnega tlaka (Nevarnost K=3dB(A))..... 86,5 dB (A) .....

Višina zvočnega tlaka (Nevarnost K=3dB(A))..... 97,5 dB (A) .....

#### Nosite zaščito za sluh!

#### Informacije o vibracijah

Skupna vibracijska vrednost (Vektorska vsota treh smeri)

določena ustrežno EN 60745.

Vibracijska vrednost emisij a<sub>n</sub>

Vijačenje..... < 2,5 m/s<sup>2</sup>..... < 2,5 m/s<sup>2</sup>

Nevarnost K..... 1,5 m/s<sup>2</sup>..... 1,5 m/s<sup>2</sup>

#### OPOZORILO

V teh navodilih navedena raven tresljev je bila izmerjena po EN60745 normiranem merilnem postopku in lahko služi medsebojni primerjavi električnih orodij. Prav tako je primeren za predhodno oceno obremenitve s treslji.

Navedena raven tresljev navaja najpomembnejše vrste rabe električnega orodja. Kadar se električno orodje uporablja za drugačne namene, z odstopajočimi orodji ali pa z nezadostnim vzdrževanjem, lahko raven tresljev tudi odstopa. Le to lahko čez celoten delovni čas znatno zviša obremenitev s tresenjem.

Za natančno oceno obremenitve s treslji naj bi se upošteval tudi čas v katerem je naprava izklopljena ali sicer teče, vendar dejansko ni v rabi. Le to lahko obremenitev s treslji čez celoten delovni čas znatno zmanjša.

Za zaščito upravljalca pred učinkom tresljev uvedite dodatne zaščitne ukrepe npr.: Vzdrževanje električnega orodja in orodja, delo s toplimi rokami, organizacija delovnih potekov.

**⚠ OPOZORILO! Preberite vsa varnostna opozorila in navodila.** Napake zaradi neupoštevanja spodaj navedenih opozoril in napolit lahko povzročijo električni udar, požar in/ali težke telesne poškodbe.

**Vsa opozorila in napolita shranite, ker jih boste v prihodnje še potrebovali.**

#### ⚠ VARNOSTNA NAVODILA ZA VIJAČNIKE

Kadar izvajate dela pri katerih bi uporabljeno orodje lahko zadelo prikrito električno napeljavo, držite napravo za izolirane prijemalne površine. Stik svedra z električnim vodnikom lahko kovinske deli naprave spravi pod napetost in vodi do električnega udara.

Pri udarnemu vrtnanju nosite glušnik. Hrup lahko povzroči izgubo sluha.

#### NADALJNA VARNOSTNA IN DELOVNA OPOZORILO

Uporabite zaščitno opremo. Pri delu s strojem vedno nosite zaščitna očala. Priporočajo se zaščitna oblačila, kot npr. maska za zaščito proti prahu, zaščitne rokavice, trdno in nedrseče obušalo, čelada in zaščita za sluh.

Prah, ki nastaja pri delu, je pogosto zdravju škodljiv in naj ne zaide v telo. Nosite ustrezno masko proti prahu.

Obdelava materialov, iz katerih izhaja ogroženost zdravja (npr. azbest), ni dovoljena.

V primeru blokade orodja napravo takoj izklopite! Naprave ponovno ne vklaplajte dokler je orodje blokirano; pri tem bi lahko prišlo do povratnega udara z velikim reakcijskim momentom. Ugotovite in odpravite vzroke blokade orodja ob upoštevanju varnostnih navodil.

Možni razlogi so lahko:

- Zagozditev v obdelovancu
- prežganje obdelovanega materiala
- Preobremenitev električnega orodja

Ne segajte v stroj v teku.

Orodje lahko med uporabo postane vroče.

**OPOZORILO!** Nevarnost opeklin

- pri menjavi orodja
- pri odlaganju naprave

Trske ali iveri se pri tekočem stroju ne smejo odstranjevati.

Vedno pazite, da se priključni kabel ne približa področju delovanja stroja. Kabel vedno vodite za strojem.

Pri delih na steni, stropu ali v tleh pazite na električne kable, plinske in vodne napeljave.

Obdelovanec zavarujte z vpenjalno pripravo. Nezavarovani obdelovanci lahko povzročijo težke poškodbe in okvare.

Pred vsemi deli na stroju izvlecite vtičak iz vtičnice.

#### UPORABA V SKLADU Z NAMEMBNOSTJO

Gradbeni vrtnalnik je uporaben za vijačenje v les in pločevino ter za vijačenje kovinskih delov (odvisno od uporabljene opreme).

Ta naprava se sme uporabiti samo v skladu z namembnostjo uporabi samo za navede namene.

#### CE-IZJAVA O KONFORMNOSTI

V lastni odgovornosti izjavljamo, da se pod „Tehnični podatki“ opisan proizvod ujema z vsemi relevantnimi predpisi smernice 2011/65/EU (RoHS), 2014/30/EU, 2006/42/ES in s sledečimi harmoniziranimi normativnimi dokumenti:

EN 60745-1:2009 + A11:2010

EN 60745-2-2:2010

EN 55014-1:2006 + A1:2009 + A2:2011

EN 55014-2:1997 + A1:2001 + A2:2008

EN 61000-3-2:2014

EN 61000-3-3:2013

EN 50581:2012

Winnenden, 2016-03-29

*Alexander Krug*

Alexander Krug  
Managing Director

Pooblaščen za izdelavo spisov tehnične dokumentacije.

Techronic Industries GmbH

Max-Eyth-Straße 10

71364 Winnenden

Germany

#### OMREŽNI PRIKLJUČEK

Vtičnice v zunanjem področju morajo biti opremljene z zaščitnimi stikali za okvarni tok (FI, RCD, PRCD). To zahteva instalacijski predpis za vašo električno napravo. Prosimo, da to pri uporabi naše naprave upoštevate.

Priključite samo na enofazni izmenični tok in samo na omrežno napetost, ki je označena na tipski ploščici. Priključitev je možna tudi na vtičnice brez zaščitnega kontakta, ker obstaja nadgradnja zaščitnega razreda.

Napravo priključite na vtičnico samo v izklopljenem stanju.

Naprava je pripravljena za profesionalno uporabo. Naprava lahko po priključitvi na javno nizko napetostno omrežje neznatno prekorači orjencijsko vrednost zgornje vrednosti električnega toka. Zaradi tega se pred priključitvijo naprave posvetujte z odgovorno osebo vašega distributerja električne energije.

#### VZDRŽEVANJE

Pazite na to, da so prezračevalne reže stroja vedno čiste.

Pri obrabljenih oglenih krtačkah naj se dodatno z zamenjavo oglenih krtačk izvede servisno vzdrževanje v delavnici servisne službe. To podaljša življenjsko dobo stroja in zagotavlja stalno pripravljenost za obratovanje.

V kolikor je priključni omrežni vodnik poškodovan, ga je potrebno s strani servisne službe nadomestiti, ker je za ta namen potrebno posebno orodje.

Uporabljajte samo AEG pribor in nadomestne dele. Poskrbite, da sestavne dele, katerih zamenjava ni opisana, zamenjajo v AEG servisni službi (upoštevajte brošuro Garancija/Naslovi servisnih služb).

Po potrebi se lahko pri vaši servisni službi ali direktno pri Techtronic Industries GmbH naroči eksplozijska risba naprave ob navedbi tipa stroja in številke s tipske ploščice Techtronic Industries GmbH, Max-Eyth-Straße 10, 71364 Winnenden, Germany.

#### SIMBOLI



POZOR! OPOZORILO! NEVARNO!



Pred vsemi deli na stroju izvlecite vtičak iz vtičnice.



Prosimo, da pred uporabo pozorno preberete to navodilo za uporabo.



Električnih naprav ni dovoljeno odstranjevati skupaj z gospodinjstskimi odpadki. Električne in elektronske naprave je potrebno zbirati ločeno in za okolju prijazno odstranitev, oddati podjetju za reciklažo. Pri krajevnem uradu ali vašem strokovnem prodajalcu se pozanimajte glede reciklažnih dvorišč in zbirnih mest.



Električno orodje zaščitnega razreda II. Električno orodje, pri katerem zaščita pred električnim udarom ni odvisna zgolj od osnovne izolacije, temveč tudi od tega, da so uporabljeni dodatni ukrepi, kot dvojna ali okrepljena izolacija. Ni priprave za priključek zaščitnega vodnika.



CE-znak



Nacionalna oznaka skladnosti Ukrajina



EurAsian oznaka o skladnosti.

TEHNIČKI PODACI	S 2500 E	S 4000 E
Broj proizvodnje.....	4133 58 02... ..	4133 61 02... ..
.....	4134 32 02... ..	4132 24 02... ..
.....	...000001-999999	...000001-999999
Snaga nominalnog prijema.....	720 W.....	720 W.....
Predajni učinak.....	360 W.....	360 W.....
Broj okretaja praznog hoda.....	0-2500 min <sup>-1</sup> .....	0-4000 min <sup>-1</sup> .....
Šamobušački vijci (širina ključa).....	6,3 mm.....	6,3 mm.....
Šestobridni vijci (širina ključa).....	10 mm.....	10 mm.....
Vijci za brzu ugradnju do max.....	5,0 mm.....	5,0 mm.....
Priključenje univerzalnog držača.....	1/4".....	1/4".....
Težina po EPTA-proceduri 01/2003.....	1,5 kg.....	1,4 kg.....

#### Informacije o buci

Mjerne vrijednosti utvrđene odgovarajuće EN 60745.

A-procjenjeni nivo pritiska zvuka aparata iznosi tipično

Nivo pritiska zvuka (Nesigurnost K=3dB(A))..... 86,5 dB (A)..... 86,5 dB (A)

Nivo učinka zvuka (Nesigurnost K=3dB(A))..... 97,5 dB (A)..... 97,5 dB (A)

#### Nositi zaštitu sluha!

#### Informacije o vibracijama

Ukupne vrijednosti vibracije (Vektor suma tri smjera) su

odmjerene odgovarajuće EN 60745

Vrijednost emisije vibracije a<sub>h</sub>

Vijcanje..... < 2,5 m/s<sup>2</sup>..... < 2,5 m/s<sup>2</sup>

Nesigurnost K..... 1,5 m/s<sup>2</sup>..... 1,5 m/s<sup>2</sup>

#### UPOZORENIE

Ova u ovim uputama navedena razina titranja je bila izmjerena odgovarajuće jednom u EN 60745 normiranom mjernom postupku i može se upotrijebiti za usporedbu električnog alata međusobno. Ona je prikladna i za privremenu procjenu titrajnog opterećenja.

Navedena razina titranja reprezentira glavne primjene električnog alata. Ukoliko se električni alat upotrebljava u druge svrhe sa odstupajućim primijenjenim alatima ili nedovoljnim održavanjem, onda razina titranja može odstupati. To može titrajno opterećenje kroz cijeli period rada bitno povisiti.

Za točnu procjenu titrajnog opterećenja se moraju uzeti u obzir i vremena u kojima je uređaj isključen ili u kojima doduše radi, ali nije i stvarno u upotrebi. To može titrajno opterećenje bitno smanjiti za vrijeme cijelog radnog perioda.

Utvrđite dodatne sigurnosne mjere za zaštitu poslužioca protiv djelovanja titranja kao npr.: Održavanje električnih alata i upotrebljenih alata, održavanje topline ruku, organizacija i radne postupke.

**⚠ UPOZORENJE! Pročitajte molimo sve sigurnosna upozorenja i upute.** Ako se ne bi poštivala napomene o sigurnosti i upute to bi moglo uzrokovati strujni udar, požar i/ili teške ozljede.  
**Sačuvajte sve napomene o sigurnosti i upute za buduću primjenu.**

#### ⚠ SIGURNOSNE UPUTE ZA GRAĐEVNE IZVIJAČE

**Napravu držite na izoliranim površinama drške kada izvodite radove kod kojih upotrebljeni alat može pogoditi skrivene vodove struje ili može pogoditi osobni kabel.** Kontakt rezačkog alata sa vodovima koji sprovode naponm može metalne dijelove sprave dovesti pod napon i tako dovesti do električnog udara.

**Kod urednog bušenja nosite zaštitu za sluh.** Djelovanje buke može uzrokovati gubitak sluha.

#### OSTALE SIGURNOSNE I RADNE UPUTE

Upotrebljavati zaštitnu opremu. Kod radova sa strojem uvijek nositi zaštitne naočale. Preporučuje se zaštitna odjeća, kao zaštitna maska protiv prašine, zaštitne rukavice, čvrste i protiv klizanja sigurne cipele, šljem i zaštitu sluha.

Prašina koja nastaje prilikom rada je često nezdrava i ne bi smijela dospjeti u tijelo. Nositi prikladnu zaštitnu masku protiv prašine.

Ne smiju se obrađivati nikakvni materijali, od kojih prijete opasnost po zdravlje (npr. azbest).

Kod blokiranja alata koji se upotrebljava uređaj molimo odmah isključiti! Uređaj nemojte ponovno uključiti za vrijeme dok je alat koji se upotrebljava blokiran; time može doći do povratnog udara sa visokim reakcijskim momentom.

Pronađite i otklonite uzrok blokiranja alata koji se upotrebljava uz poštivanje sigurnosnih uputa.

Mogući uzroci tome mogu biti:

- Izobličavanje u izratku koji se obrađuje
- Probijanje materijala koji se obrađuje
- Preopterećenje električnog alata

Nemojte sezati u stroj koji radi.

Upotrebljeni alat se može za vrijeme korištenja zagrijati.

**UPOZORENIE!** Opasnost od opekotina

- kod promjene alata
- kod odlaganja uređaja

Piljevina ili iverje se za vrijeme rada stroja ne smiju odstranjivati.

Priključni kabel uvijek držati udaljenim sa područja djelovanja. Kabel uvijek voditi od stroja prema nazad.

Kod radova na zidu, stropu ili podu paziti na električne kablove kao i vodove plina i vode.

Osigurajte vaš izradak jednim steznim uređenjem. Neosigurani izradci mogu prouzročiti teške povrede i oštećenja.

Prije radova na stroju izvući utikač iz utičnice.

#### PROPISNIA UPOTREBA

Građevinski zavrtlač je upotrebljiv za zavrtnje u drvo i lim i za zavrtnje metalnih dijelova (ovisno o upotrebljenoj opremi).

Ovaj aparat se smije upotrijebiti samo u određene svrhe kao što je navedeno.

#### CE-IZJAVA KONFORMNOSTI

Izjavljujemo na osobnu odgovornost, da je proizvod opisan pod „Tehnički podaci“, sukladan sa svim relevantnim propisima smjernice 2011/65/EU (RoHS), 2014/30/EU, 2006/42/EC i sa slijedećim harmoniziranim normativnim dokumentima:

EN 60745-1:2009 + A11:2010

EN 60745-2-2:2010

EN 55014-1:2006 + A1:2009 + A2:2011

EN 55014-2:1997 + A1:2001 + A2:2008

EN 61000-3-2:2014

EN 61000-3-3:2013

EN 50581:2012

Winnenden, 2016-03-29



Alexander Krug  
Managing Director



Ovlašten za formiranje tehničke dokumentacije.

Techronic Industries GmbH

Max-Eyth-Straße 10

71364 Winnenden

Germany

#### PRIKLJUČAK NA MREŽU

Utičnice na vanjskom području moraju biti opremljene zaštitnim prekidačima za pogrešnu struju (FI, RCD, PRCD). To zahtjeva instalacijski propis za električne uređaje. Molimo da ovo poštuju prilikom upotrebe našeg aparata.

Priključiti samo na jednofaznu naizmjeničnu struju i samo na napon struje, naveden na pločici snage. Priključak je moguć i na utičnice bez zaštitnog kontakta, jer postoji dogradnja zaštitne klase II.

Uređaj priključiti na utičnicu samo kada je isključen.

Uređaj je podešen za profesionalnu upotrebu. Prilikom priključivanja na javnu električnu mrežu niskog napona, uređaj može neznatno prekoračiti orijentacijsku vrijednost gornjih valova električnog toka. Iz toga razloga prije priključivanja kontaktirajte Vašeg pristojnog dobavljača električne energije.

#### ODRŽAVANJE

Proreze za prozračivanje stroja uvijek držati čistima.

Kod istrošenih ugljenih četkica bi se uz zamjenu ugljenih četkica trebao dodatno sprovesti servis u nekoj servisnoj radionici. To povećava vijek trajanja stroja i jamči stalnu spremnost pogona.

Ako je mrežni priključni vod oštećen, mora se od strane servisa zamijeniti, zato što je za to potreban specijalan alat.

Primijeniti samo AEG opremu i rezervne dijelove. Sastavne dijelove, čija zamjena nije opisana, dati zamijeniti kod jedne od AEG servisnih službi (poštivati brošuru Garancija/Adrese servisa).

Po potrebi se može zatražiti crež eksplozije aparata uz davanje podataka o tipu stroja i desetoznamenastog broja na pločici snage kod Vaše servisne službe ili direktno kod Techronic Industries GmbH, Max-Eyth-Straße 10, 71364 Winnenden, Germany.

#### SIMBOLI



PAŽNJA! UPOZORENIE! OPASNOST!



Prije radova na stroju izvući utikač iz utičnice.



Molimo da pažljivo pročitate uputu o upotrebi prije puštanja u rad.



Električni uređaji se ne smiju zbrinjavati skupa sa kućnim smećem. Električni uređaji se moraju skupljati odvojeno i predati na zbrinjavanje primjereno okolišu jednom od pogona za iskorišćavanje. Raspitajte se kod mjesnih vlasti ili kod stručnog trgovca u svezi gospodarstva za recikliranje i mjesta skupljanja.



Električni alat zaštitne kategorije II. Električni alat, čija zaštita od jednog električnog udara ne zavisi samo od osnovne izolacije, već i od toga, da se primijene dodatne zaštitne mjere, kao što su dvostruka izolacija ili pojačana izolacija. Ne postoji nikakva naprava za priključak nekog zaštitnog voda.



Oznaka-CE



Nacionalni znak konformnosti Ukrajina



EurAsian znak konformnosti.

TEHNISKIE DATI	S 2500 E	S 4000 E
Izlaides numurs	4133 58 02...	4133 61 02...
	4134 32 02...	4132 24 02...
	...000001-999999	...000001-999999
Nominālā atdotā jauda	720 W	720 W
Cietkoks	360 W	360 W
Apgrīzieni tukšgaitā	0-2500 min <sup>-1</sup>	0-4000 min <sup>-1</sup>
Pašurbjošās skrūves līdz maks.	6,3 mm	6,3 mm
Seškantu skrūves (atslēgas izmērs)	10 mm	10 mm
Ātrās montāžas skrūves līdz maks.	5,0 mm	5,0 mm
Universālā stiprinājuma izmērs	1/4"	1/4"
Svars atbilstoši EPTA -Procedure 01/2003	1,5 kg	1,4 kg

#### Trokšņu informācija

Vērtības, kas noteiktas saskaņā ar EN 60745.

Instrumenta tipiskais pēc A vērtētais trokšņa spiediena

līmenis parasti sastāda

Trokšņa spiediena līmenis (Nedrošība K=3dB(A))	86,5 dB (A)	86,5 dB (A)
Trokšņa jaudas līmenis (Nedrošība K=3dB(A))	97,5 dB (A)	97,5 dB (A)

#### Nēsāt trokšņa slāpētāju!

#### Vibrāciju informācija

Svārstību kopējā vērtība (Trīs virzienu vektoru summa) tiek noteikta atbilstoši EN 60745.

svārstību emisijas vērtība a<sub>w</sub>

Skrūvēšana	< 2,5 m/s <sup>2</sup>	< 2,5 m/s <sup>2</sup>
Nedrošība K	1,5 m/s <sup>2</sup>	1,5 m/s <sup>2</sup>

#### UZMANĪBU

Instrukcijā norādītā svārstību robežvērtība ir izmērīta mērījumu procesā, kas veikts atbilstoši standartam EN 60745, un to var izmantot elektroinstrumentu savstarpējai salīdzināšanai. Tā ir piemērota arī svārstību noslogojuma pagaidu izvērtēšanai.

Norādītā svārstību robežvērtība ir reprezentatīva elektroinstrumenta pamata pielietojuma jomām. Tomēr, ja elektroinstrumenti tiek pielietoti citās jomās, papildus izmantojot neatbilstošus elektroinstrumentus vai pēc nepietiekamas tehniskās apkopes, tad svārstību robežvērtība var atšķirties. Tas var ievērojami palielināt svārstību noslogojumu visa darba laikā.

Precīzai svārstību noslogojuma noteikšanai, ir jāņem vērā arī laiks, kad ierīces ir izslēgta vai arī ir ieslēgta, tomēr faktiski netiek lietota. Tas var ievērojami samazināt svārstību noslogojumu visa darba laikā.

Integrējiet papildus drošības pasākumus pret svārstību ietekmi lietotājam, piemēram: elektroinstrumentu un darba instrumentu tehniskā apkope, roku siltuma uzturēšana, darba procesu organizācija.

**▲ BRĪDINĀJUMS!** Izlasiet visus drošības brīdinājumus un instrukcijas. Šeit sniegto drošības noteikumu un norādījumu neievērošana var izraisīt aizdegšanos un būt par cēloni elektriskajam triecienam vai nopietnam savainojumam. **Pēc izlasīšanas uzglabājiet šos noteikumus turpmākai izmantošanai.**

#### ▲ SKRŪVGRIEŽA DROŠĪBAS NORĀDES

**Veicot darbus ar iekārtu, kurai ar instrumentiem iespējams netīšām pieskarties elektroapgādes līnijai vai tās kabelim, turēt to aiz izolētās satveršanas virsmas.** Skrūves kontakts ar sprieguma vadošu vadu var ierīces metāla daļas uzlādēt un novest pie elektriskās strāvas trieciena.

**Lietojiet dzirdes aizsargu, izmantojot āmururbi.** Trokšņa iedarbība var izraisīt dzirdes zudumu.

#### CITAS DROŠĪBAS UN DARBA INSTRUKCIJAS

Jāizmanto aizsargaprīkojums. Strādājot ar mašīnu, vienmēr jānēsā aizsargbrilles. Ieteicams nēsāt aizsargapgārbu, kā piemēram, aizsargmasku, aizsargcimdus, kurpes no stingra un neslīdīga materiāla, ķiveri un ausu aizsargus.

Putekļi, kas rodas darba gaitā, bieži ir kaitīgi veselībai un tiem nevajadzētu nokļūt organismā. Jānēsā piemērota maska, kas pasargā no putekļiem.

Nedrīkst apstrādāt materiālus, kas rada draudus veselībai (piemēram, azbestu).

Ja izmantojamais darba rīks tiek bloķēts, nekavējoties izslēgt ierīci! Neieslēdziet ierīci, kamēr izmantojamais darba rīks ir bloķēts; var rasties atsitiens ar augstu griezes

momentu. Noskaidrojiet un novērsiet izmantojamā darba rīka bloķēšanas iemeslu, ievērojot visas drošības norādes.

Iespējamie iemesli:

- iesprūdis apstrādājamajā materiālā
- apstrādājama materiāls ir caursists
- elektroinstrumenti ir pārslēgti

I+AA2eslēgtai ierīcei nepieskarties.

Izmantojamais darba rīks darba gaitā var stipri sakarst.

**UZMANĪBU!** Bīstamība apdedzināties

- veicot darba rīka nomaiņu
- noliekot iekārtu

Skaidas un atlūzas nedrīkst ņemt ārā, kamēr mašīna darbojas.

Pievienojuma kabeli vienmēr turēt atstatu no mašīnas darbības lauka. Kabelim vienmēr jāatrodas aiz mašīnas.

Veicot darbus sienu, griestu un grīdas apvidū, vajag uzmanīties, lai nesabojātu elektriskos, gāzes un ūdens vadus.

Fiksējiet apstrādājamo materiālu ar fiksācijas aprīkojumu. Nenostiprināti materiāli var izraisīt smagus savainojumus un bojājumus.

Pirms jebkādiem darbiem, kas attiecas uz mašīnas apkopi, mašīnu noteikti vajag atvienot no kontaktligzdas.

#### NOTEIKUMIEM ATBILSTOŠS IZMANTOJUMS

Celtniecības skrūvgrieznis ir izmantojams skrūvēšanai kokā un skārdā un metāla detaļu saskrūvēšanai (atkarībā no izmantotajiem piederumiem).

Šo instrumentu drīkst izmantot tikai saskaņā ar minētajiem lietošanas noteikumiem.

#### ATBILSTĪBA CE NORMĀM

Mēs apliecinām, ka produkts, kura tehniskie parametri aprakstīti „tehnisko datu lapā”, pilnībā atbilst prasībām saskaņā ar direktīvām 2011/65/EU (RoHS), 2014/30/ES, 2006/42/EK un attiecīgajiem harmonizētajiem normatīvajiem dokumentiem:

EN 60745-1:2009 + A11:2010  
EN 60745-2-2:2010  
EN 55014-1:2006 + A1:2009 + A2:2011  
EN 55014-2:1997 + A1:2001 + A2:2008  
EN 61000-3-2:2014  
EN 61000-3-3:2013  
EN 50581:2012

Winnenden, 2016-03-29

*Alexander Krug*

Alexander Krug  
Managing Director

Pilnvarotais tehniskās dokumentācijas sastādītājs.

Techtronic Industries GmbH  
Max-Eyth-Straße 10  
71364 Winnenden  
Germany

#### TĪKLA PIESLĒGUMS

Kontaktligzdām, kas atrodas ārpus telpām jābūt aprīkotām ar automātiskiem drošinātājslēdzīem, kas nostrādā, ja strāvas plūsmā radušies (FI, RCD, PRCD) bojājumi. To pieprasa jūsu elektroiekārtas instalācijas noteikumi. Lūdzu, to ņemt vērā, izmantojot mūsu instrumentus.

Pieslēgt tikai vienfāza mainstrāvas tīklam un tikai spriegumam, kas norādīts uz jaudas paneļa. Pieslēgums iespējams arī kontaktligzdām bez aizsargkontaktiem, jo rāva ir par uzbūvi, kas atbilst II. aizsargklasei.

Instrumentu pieslēgt kontaktligzdai tikai izslēgtā stāvoklī.

Iekārta ir paredzēta profesionālajai lietošanai. Pieslēdzot iekārtu pie parastā zema sprieguma tīkla, var tikt negatīvi ietekmēta zema sprieguma tīkla darbība. Pirms pieslēgt iekārtu pie zema sprieguma tīkla lūdzu sazinieties ar vietējo elektroenerģijas piegādātāju.

#### APKOPE

Vajag vienmēr uzmanīties, lai būtu fīras dzesēšanas atveres.

Ja ir nolietojušās elektromotora ogļītes, papildus to nomainībai būtu jāveic instrumenta apskate sevis darbnīcā. Tas pagarinās mašīnas kalpošanas ilgumu un garantēs tās pastāvīgu darbību.

Ja ir bojāts tīkla pieslēguma vads, tad tā apmaina jānodrošina klientu apkalpošanas servisam, kuram ir nepieciešamie speciālie darba rīki.

Izmantojiet tikai firmu AEG piederumus un firmas rezerves daļas. Lieciet nomainīt detaļas, kuru nomainīšana nav aprakstīta, kādā no firmu AEG klientu apkalpošanas servisiem. (Skat. brošūru "Garantija/klientu apkalpošanas serviss".)

Ja nepieciešams, klientu apkalpošanas servisā vai tieši pie firmas Techtronic Industries GmbH, Max-Eyth-Straße 10, 71364 Winnenden, Germany, var pieprasīt instrumenta numurs, kas norādīts uz jaudas paneļa.

#### SYMBOLI



UZMANĪBU! BĪSTAMI!



Pirms jebkādiem darbiem, kas attiecas uz mašīnas apkopi, mašīnu noteikti vajag atvienot no kontaktligzdas.



Pirms sākt lietot instrumentu, lūdzu, izlasiet lietošanas pamācību.



Elektroiekārtas nedrīkst izmest kopā ar sadzīves atkritumiem. Elektriskās un elektroniskās iekārtas ir jāsavāc atsevišķi un jānodod pārstrādes uzņēmumam, kas no tām atbrīvosies dabai draudzīgā veidā. Meklējiet atbilstošās pārstrādes poligonus un savākšanas punktus vietējās pārvaldes iestādēs vai pie preces pārdevēja.



II aizsardzības klases elektroinstrumenti. Elektroinstrumenti, kuram aizsardzība pret elektrisko triecienu ir atkarīga ne tikai no pamata izolācijas, bet arī no tā, ka tiek piemēroti papildu aizsardzības pasākumi, piemēram, dubultā izolācija vai pastiprināta izolācija. Aizsarga pieslēgšanai instrumenti nav paredzēti.



CE marķējums



Ukrainas nacionālais atbilstības simbols.



EurAsian atbilstības marķējums.

**TECHNINIAI DUOMENYS**

	S 2500 E	S 4000 E
Produkto numeris .....	4133 58 02... ..4133 61 02... ..	4133 61 02... ..
.....	4134 32 02... ..4132 24 02... ..	4132 24 02... ..
.....	...000001-999999 .....	...000001-999999 .....
Vardinė imamoji galia .....	720 W .....	720 W .....
Išėjimo galia .....	360 W .....	360 W .....
Sūkių skaičius laisva eiga .....	0-2500 min <sup>-1</sup> .....	0-4000 min <sup>-1</sup> .....
Šavisiėgijai varžtai iki maks. ....	6,3 mm .....	6,3 mm .....
Šešiabriauniai varžtai (rako dydis) .....	10 mm .....	10 mm .....
Greito montažo varžtai iki maks. ....	5,0 mm .....	5,0 mm .....
Universalaus laikiklio griebtuvas .....	1/4" .....	1/4" .....
Prietaiso svoris įvertintas pagal EPTA 2003/01 tyrimų metodiką .....	1,5 kg .....	1,4 kg .....

**Informacija apie keliamą triukšmą**

Vertės matuotos pagal EN 60745.

Prietaisui būdingas garso slėgio lygis, koreguotas pagal A dažnio charakteristiką.

Garso slėgio lygis (Paklaida K=3dB(A)) .....	86,5 dB (A) .....	86,5 dB (A) .....
Garso galios lygis (Paklaida K=3dB(A)) .....	97,5 dB (A) .....	97,5 dB (A) .....

**Nešioti klausos apsaugines priemones!****Informacija apie vibraciją**

Bendroji svyravimų reikšmė (trijų krypčių vektorių suma), nustatyta remiantis EN 60745.

Vibravimų emisijos reikšmė a<sub>w</sub>

Prisukimas varžtais .....	< 2,5 m/s <sup>2</sup> .....	< 2,5 m/s <sup>2</sup> .....
Paklaida K .....	1,5 m/s <sup>2</sup> .....	1,5 m/s <sup>2</sup> .....

**DĖMESIO**

Instrukcijoje nurodyta svyravimų ribinė vertė yra išmatuota remiantis standartu EN 60745; ji gali būti naudojama keliems elektriniams instrumentams palyginti. Ji taikoma ir laikinai įvertinti svyravimų apkrovą.

Nurodyta svyravimų ribinė vertė yra taikoma pagrindinėse elektrinio instrumento naudojimo srityse. Svyravimų ribinė vertė gali skirtis naudojant elektrinį instrumentą kitose srityse, papildomai naudojant netinkamus elektrinius instrumentus arba juos nepakankamai techniškai prižiūrint. Dėl to viso darbo metu gali žymiai padidėti svyravimų apkrova.

Siekiant tiksliai nustatyti svyravimų apkrovą, būtina atsižvelgti ir į laikotarpį, kai įrenginys yra išjungtas arba įjungtas, tačiau faktiškai nenaudojamas. Dėl to viso darbo metu gali žymiai sumažėti svyravimų apkrova.

Siekiant apsaugoti vartotojus nuo svyravimo įtakos naudojamos papildomos saugos priemonės, pavyzdžiui, elektrinių darbo instrumentų techninė priežiūra, rankų šilumos palaikymas, darbo procesų organizavimas.

**⚠ ĮSPĖJIMAS! Perskaitykite visus saugos nurodymus ir instrukcijas.** Jei nepaisysite žemiau pateiktų saugos nuorodų ir reikalavimų, gali trenkti elektros smūgis, kilti gaisras ir/arba galite sunkiai susižaloti arba sužaloti kitus asmenis.

**Išsaugokite šias saugos nuorodas ir reikalavimus, kad ir ateityje galėtumėte jais pasinaudoti.**

**SAUGOS NURODYMAI ATSUKTUVUI**

**Atlikdami darbus, kurių metu galite pažeisti paslėptas elektros linijas arba prietaisą kabelį, prietaisą laikykite už izoliuotų rankenėlių.** Sraigtui prisilietus prie įtampa tiekiančių linijų gali įsikrauti prietaiso dalys ir įvykti elektros smūgis.

**Dirbdami su smūginiu grąžtu, visuomet naudokite apsaugines ausų priemones.** Dėl didelio triukšmo poveikio gali būti pažeidžiama klausos.

**KITI SAUGUMO IR DARBO NURODYMAI**

Dėvėkite apsaugines priemones. Dirbdami su mašina visada užsidėkite apsauginius akinius. Rekomenduotina dėvėti apsaugines priemones: apsaugos nuo dulkių respiratorius, apsaugines pirštines, kietus batus neslidžiais padais, šalną ir klausos apsaugos priemones.

Darbo metu susidaranti dulkės yra dažnai kenksmingos sveikatai ir todėl turėtų nepatekti į organizmą. Dėvėti tinkamą apsauginę kaukę nuo dulkių.

Negalima apdirbti medžiagų, dėl kurių galimi sveikatos pažeidimai (pvz., asbesto).

Blokuojant įstatomąjį įrankį būtina išjungti prietaisą!

Neįjunkite prietaiso, kol įstatomasis įrankis yra užblokuotas;

galimas grįžtamasis smūgis su dideliu sukimo momentu. Atsižvelgdami į saugumo nurodymus, nustatykite ir pašalinkite įstatomojo įrankio blokavimo priežastį.

Galimos priežastys:

- Susidariusios apdirbamo ruošinio briaunos
- Apdirbamos medžiagos pratrūkimai
- Elektros įrankio perkrova

Nekiškite rankų į veikiančią mašiną.

Naudojamas įstatomasis įrankis gali įkaisti.

**DĖMESIO!** Pavojus nusideginti

- keičiant įrankį
- padedant prietaisą

Draudžiama išiminti drožles ar nuopjovas, įrenginiui veikiant.

Maitinimo kabelis turi nebūti įrenginio poveikio srityje. Kabelį visada nuveskite iš galinės įrenginio pusės.

Dirbdami sienoje, lubose arba grindyse, atkreipkite dėmesį į elektros laidus, dujų ir vandens vamzdžius.

Ruošini užfiksuokite įtempimo įrenginiui. Neužfiksuoti ruošiniai gali sunkiai sužaloti ir būti pažeidimų priežastimi.

Prieš atlikdami bet kokius įrenginyje, ištraukite iš lizdo kištuką.

**NAUDOJIMAS PAGAL PASKIRTĮ**

Varžtasukų galima naudoti sukimui medienoje ir skardoje ir metalinių detalių suveržimui (priklausomai nuo naudojamo priedo).

Šį prietaisą leidžiama naudoti tik pagal nurodytą paskirtį.

**CE ATITIKTIES PAREIŠKIMAS**

Remiantis bendrais atsakomybės reikalavimais pareiškiam, jog skyruije „Techniniai duomenys“ aprašytas produktas atitinka visus toliau pateiktų juridinių direktyvų reikalavimus: 2011/65/EU (RoHS), 2014/30/ES, 2006/42/EB ir kitus su jomis susijusius norminius dokumentus:

EN 60745-1:2009 + A1:2010  
 EN 60745-2-2:2010  
 EN 55014-1:2006 + A1:2009 + A2:2011  
 EN 55014-2:1997 + A1:2001 + A2:2008  
 EN 61000-3-2:2014  
 EN 61000-3-3:2013  
 EN 50581:2012

Winnenden, 2016-03-29


Alexander Krug  
Managing Director

Įgalios parengti techninius dokumentus.

Techtronic Industries GmbH  
 Max-Eyth-Straße 10  
 71364 Winnenden  
 Germany

**ELEKTROS TINKLO JUNGTIŠ**

Lauke esantys el. lizdai turi būti su gedimo srovės išjungikliais. Tai nurodyta Jūsų elektros įrenginio instaliacijos taisyklėse (FI, RCD, PRCD). Atsižvelkite į tai, naudodami prietaisą.

Jungti tik prie vienfazės kintamos elektros srovės ir tik į specifikacijų lentelėje nurodytos įtamos elektros tinklą. Konstrukcijos saugos klasė II, todėl galima jungti ir į lizdus be apsauginio kontakto.

Į elektros tinklą junkite tik išjungtą prietaisą.

Šis prietaisas skirtas profesionaliam naudojimui, todėl jungiamas prie viešojo žemos įtamos tinklo gali šiek tiek viršyti standartinį viršutinės srovės bangos dydį. Todėl reikalui esant, prieš jungdami prietaisą prie viešojo žemos įtamos tinklo, susisiekite su energiją tiekiančiąja įmone.

**TECHNINIS APTARNAVIMAS**

Įrenginio vėdinimo angos visada turi būti švarios.

Keičiant susidėvėjusius anglinius šepetėlius, be šepetėlių keitimo aptarnavimo dirbtuvėse reikėtų atlikti techninį prietaiso aptarnavimą. Tai prailgina įrenginio tarnavimo laiką ir užtikrina nuolatinę parengtą darbui.

Jeigu pažeistas elektros laidas, pakeiskite jį remonto dirbtuvėje, nes tam reikia specialaus prietaiso.

Naudokite tik AEG priedus ir atsargines dalis. Dalis, kurių keitimas neaprašytas, leidžiama keisti tik AEG klientų aptarnavimo skyriams (žr. garantiją/klientų aptarnavimo skyrių adresus brošiūroje).

Jei reikia, nurodant įrenginio tipą bei specifikacijų lentelėje esantį numerį, iš klientų aptarnavimo skyriaus arba tiesiai iš Techtronic Industries GmbH, Max-Eyth-Straße 10, 71364 Winnenden, Germany, galima užsisakyti prietaiso surinkimo brėžinius.

**SYMBOLIAI****DĖMESIO! ĮSPĖJIMAS! PAVOJUS!**

Prieš atlikdami bet kokius įrenginyje, ištraukite iš lizdo kištuką.



Prieš pradėdami dirbti su prietaisu, atidžiai perskaitykite jo naudojimo instrukciją.



Elektros prietaisų negalima išmesti kartu su buitinėmis atliekomis.

Būtina rūšiuoti elektros ir elektroninius prietaisus ir atiduoti į atliekų perdirbimo centrą, kad jie būtų utilizuoti netešiant aplinkos.

Informacijos apie perdirbimo centrus ir atliekų surinkimo įstaigas teiraukitės vietos įstaigoje arba prekybininko.



II apsaugos klasės elektrinis įrankis. Šio elektrinio įrankio apsauga nuo elektros smūgio priklauso ne tik nuo pagrindinės izoliacijos, bet ir nuo to, kaip naudojamos papildomos apsauginės priemonės, tokios kaip dviguba arba pagerinta izoliacija. Nėra jokio prietaiso apsauginio laido pajungimui.



CE ženklas



Nacionalinė atitikties žyma Ukrainoje



„EurAsian“ atitikties ženklas.

**TEHNILISED ANDMED** **S 2500 E** **S 4000 E**

Tootmisnumber.....	4133 58 02...	4133 61 02...
.....	4134 32 02.....	4132 24 02.....
.....	...000001-999999	...000001-999999
Nimistarbimine.....	720 W.....	720 W.....
Väljundvõimsus.....	360 W.....	360 W.....
Pöörlemiskiirus tüühjoosul.....	0-2500 min <sup>-1</sup> .....	0-4000 min <sup>-1</sup> .....
Iseleikuvad kruvid kuni maks.....	6,3 mm.....	6,3 mm.....
Kuusantpeakruvid (võtme laius).....	10 mm.....	10 mm.....
Kiirpaigalduskruvid kuni maks.....	5,0 mm.....	5,0 mm.....
Universaalhoidiku kinnitus.....	1/4".....	1/4".....
Kaal vastavalt EPTA-protseduurile 01/2003.....	1,5 kg.....	1,4 kg.....

**Müra andmed**  
Mõõteväärtused on kindlaks tehtud vastavalt normile EN 60745.

Seadme A-filtriga hinnatud helirõhutase on tüüpiliselt		
Helirõhutase (Määramatus K=3dB(A)).....	86,5 dB (A).....	86,5 dB (A).....
Helivõimsuse tase (Määramatus K=3dB(A)).....	97,5 dB (A).....	97,5 dB (A).....

**Kandke kaitseks kõrvaklappe!**

**Vibratsiooni andmed**  
Vibratsiooni koguväärtus (kolme suuna vektorsumma) mõõdetud EN 60745 järgi.

Vibratsiooni emissiooni väärtus a <sub>h</sub>		
Kruvimine.....	< 2,5 m/s <sup>2</sup> .....	< 2,5 m/s <sup>2</sup> .....
Määramatus K.....	1,5 m/s <sup>2</sup> .....	1,5 m/s <sup>2</sup> .....

**TÄHELEPANU**

Antud juhendis toodud võnketase on mõõdetud EN 60745 standardile vastava mõõtesüsteemiga ning seda võib kasutada erinevate elektriseadmete omavahelises võrdlemises. Antud näitaja sobib ka esmaseks võnkekoormuse hindamiseks.

Antud võnketase kehtib elektriseadme kasutamisel sihtotstarbeliselt. Kui elektriseadet kasutatakse muudel otstarvetel, muude tööriistadega või seda ei hooldata piisavalt võib võnketase siintoodust erineda. Eeltoodu võib võnketaset märkimisväärselt tõsta terves töökeskkonnas.

Võnketaseme täpseks hindamiseks tuleks arvestada ka aega, mil seade on välja lülitatud või on küll sisse lülitatud, kuid ei ole otseselt kasutusel. See võib märgatavalt vähendada kogu töökeskkonna võnketaset.

Rakendage spetsiaalseid ettevaatusabinõusid töötajate suhtes, kes puutuvad töö käigus palju kokku vibratsiooniga. Nendeks abinõudeks võivad olla, näiteks: elektri- ja tööseadmete korraline hooldus, käte soojendamine, töövoo parem organiseerimine.

**⚠ HOIATUS! Lugege kõiki ohutusjuhiseid ja korraldusi.**

Ohutusnõuete ja juhiste eiramise tagajärjeks võib olla elektrilööki, tulekahju ja/või raske vigastused.

**Hoidke kõik ohutusnõuded ja juhised edasiseks kasutamiseks hoolikalt alles.**

**⚠ OHUTUSJUHISED EHIUSKRUVITSALE**

**Hoidke seadet töödel, mille puhul võib kasutatav tööriist peidetud elektrijuhtmeid või enda kaablit puudutada, isoleeritud hoidepindadest.** Kruvi kontakt pinget juhtiva juhtmega võib panna metallist seadme osad pingele alla ja põhjustada elektrilööki.

**Kandke löökpuurimisel kuulmekaitset.** Müra toime võib põhjustada kuulmiskadu.

**EDASISED OHUTUS- JA TÖÖJUHISED**

Kasutada kaitsevarustust. Masinaga töötamisel kanda alati kaitseprille. Kaitseriietusena soovitatatakse kasutada tolmumaski kaitsekindaid, kinniseid ja libisemisvastase tallaga jalanõusid, kiivrit ja kuulmisteede kaitset.

Töö ajal tekkiv tolm on sageli tervistkahjustav ning ei tohiks sattuda organismi. Kanda sobivat kaitsemaski.

Töödelda ei tohi materjale, millest lähtub oht tervisele (nt asbest).

Palun lülitage seade rakendustööriista blokeerumise korral kohe välja! Arge lülitage seadet sisse tagasi, kuni rakendustööriist on blokeeritud; seejuures võib kõrge reaktsioonimomendiga tagasilööki tekkida. Tehke ohutusjuhiseid arvesse võttes kindlaks ja kõrvaldage rakendustööriista blokeerumise põhjus.

Selle võimalikeks põhjusteks võivad olla:

- viltu asetumine töödeldavas toorikus
- töödeldava materjali läbimurdamine
- elektritööriista ülekoormamine

Ärge sisestage jässemeid töötavasse masinasse.

Rakendustööriist võib kasutamise ajal kuumaks minna.

**TÄHELEPANU!** Põletusohu

- tööriista vahetamisel
- seadme ärapanemisel

Puru ega pilpaid ei tohi eemaldada masina töötamise ajal.

Hoidke ühendusjuhe alati masina tööpiirkonnast eemal. Vedage juhe alati masinast tahapoole.

Seina, lae või põranda tööde puhul pidage silmas elektrijuhtmeid, gaasi- ja veetorusid.

Kinnitage toorik kinnipingutusseadise. Kinnitamata toorikud võivad raskeid vigastusi ja kahjustusi põhjustada.

Enne kõiki töid masina kallal tõmmake pistik pistikupesast välja.

**KASUTAMINE VASTAVALT OTSTARBELE**

Ehituskruvikeerajad saab rakendada puidu ja pleki kruvide keeramiseks ning metallosade kinnikruvimiseks (vastavalt rakendatud tarvikutele).

Antud seadet tohib kasutada ainult vastavalt äranäidatud otstarbele.

**EÜ VASTAVUSAVALDUS**

Me deklareerime ainuiskulise vastutades, et lõigus „Tehnilised andmed“ kirjeldatud toode vastab direktiivide 2011/65/EU (RoHS), 2014/30/EU, 2006/42/EÜ kõigile olulisele tähtsusega eeskirjadele ning järgmistele harmoniseeritud normatiivsetele dokumentidele:

- EN 60745-1:2009 + A11:2010
- EN 60745-2:2010
- EN 55014-1:2006 + A1:2009 + A2:2011
- EN 55014-2:1997 + A1:2001 + A2:2008
- EN 61000-3-2:2014
- EN 61000-3-3:2013
- EN 50581:2012

Winnenden, 2016-03-29

*Alexander Krug*

Alexander Krug  
Managing Director



On volitatud koostama tehnilist dokumentatsiooni.

Techronic Industries GmbH  
Max-Eyth-Straße 10  
71364 Winnenden  
Germany

**VÖRKU ÜHENDAMINE**

Välitingimustes asuvad pistikupesad peavad olema varustatud rikkevoolukaitselülititega (FI, RCD, PRCD). Seda nõutakse Teie elektriseadme installeerimiseeskirjas. Palun pidage sellest meie seadme kasutamisel kinni.

Ühendage ainult ühefaasilise vahelduvvooluga ning ainult andmesildil toodud võrgupingega. Ühendada on võimalik ka kaitsekontaktita pistikupesadesse, kuna nende konstruktsioon vastab kaitseklassile II.

Ühendage seade pistikupesasse ainult välja lülitatult.

Käesolev seade on mõeldud kasutamiseks professionaalsetel otstarvetel, mis võib veidi ületada üldkasutatava madalpingevõrgu harmoonilise võnkeulatuse. Seepärast võtke enne seadme ühendamist üldkasutatavas madalpingevõrgu vajadusel ühendust oma energiaravustusettevõttega.

**HOOLDUS**

Hoidke masina õhutuspilud alati puhtad.

Läbikulunud süsiharjade puhul tuleks klienteendustöökojas lisaks süsiharjade vahetusele teha ka hooldus. See pikendab masina eluiga ja tagab pideva käitamisevalmiduse.

Kui võrguühenduskaabel on kahjustatud, tuleb see spetsiaalsete tööriistade kasutamise tõttu lasta välja vahetada klienteenduses, Text hier anhängen.

Kasutage ainult AEG tarvikuid ja tagavaraosi. Detailid, mille väljavahetamist pole kirjeldatud, laske välja vahetada AEG klienteenduspunkti (vaadake brošüüri garantii / klienteenduste aadressid).

Vajaduse korral võite tellida seadme läbilõikejoonise, näidates ära masina tüübi ja andmesildil oleva numbriga. Selleks pöörduge klienteenduspunkti või otse: Tronic Industries GmbH, Max-Eyth-Straße 10, 71364 Winnenden, Germany.

**SÜMBOLID**



ETTEVAATUST! TÄHELEPANU! OHUD!



Enne kõiki töid masina kallal tõmmake pistik pistikupesast välja.



Palun lugege enne käikulaskmist kasutamisejuhend hoolikalt läbi.



Elektriseadmeid ei tohi utiliseerida koos majapidamisprügiga. Elektrilised ja elektroonilised seadmed tuleb eraldi kokku koguda ning keskkonnasõbralikuks utiliseerimiseks vastavas käitlusettevõttes ära anda. Küsige kohalikest pädevatest ametitest või edasimüüjalt käitlusajamade ja kogumispunktide kohta järele.



Kaitseklassi II elektritööriist. Elektritööriist, mille puhul ei sõltu kaitse mitte üksnes baasisolatsiooni, vaid ka täiendavate kaitsemeetmete nagu topeltisolatsiooni või tugevdatud isolatsiooni kohaldamisest. Mehhanism kaitsejuhi ühendamiseks puudub.



CE-märk



Ukraina riiklik vastavusmärk



Euraasia vastavusmärk.

**ТЕХНИЧЕСКИЕ ДАННЫЕ**

	S 2500 E	S 4000 E
Серийный номер изделия	4133 58 02... 4134 32 02... ...000001-999999	4133 61 02... 4132 24 02... ...000001-999999
Номинальная выходная мощность	720 W	720 W
Номинальная мощность	360 W	360 W
Число оборотов без нагрузки	0-2500 min <sup>-1</sup>	0-4000 min <sup>-1</sup>
Самозасверливающиеся шурупы до (макс.)	6,3 mm	6,3 mm
Винты с внутренним шестигранником (ширина ключа)	10 mm	-
Шурупы для стеновых панелей до (макс.)	5,0 mm	5,0 mm
Универсальное приемное устройство	1/4"	1/4"
Вес согласно процедуре EPTA 01/2003	1,5 kg	1,4 kg

**Информация по шумам**

Значения замерялись в соответствии со стандартом EN 60745.

Обычное низкочастотное звуковое давление, производимое инструментом, составляет

Уровень звукового давления (Небезопасность K=3dB(A))	86,5 dB (A)	86,5 dB (A)
Уровень звуковой мощности (Небезопасность K=3dB(A))	97,5 dB (A)	97,5 dB (A)

**Информация по вибрации**

Общие значения вибрации (векторная сумма трех направлений) определены в соответствии с EN 60745.

Значение вибрационной эмиссии a<sub>w</sub>

Завинчивание	< 2,5 m/s <sup>2</sup>	< 2,5 m/s <sup>2</sup>
Небезопасность K	1,5 m/s <sup>2</sup>	1,5 m/s <sup>2</sup>

**ВНИМАНИЕ**

Указанный в настоящем руководстве уровень вибрации измерен в соответствии с технологией измерения, установленной стандартом EN 60745 и может использоваться для сравнения электроинструментов друг с другом. Он также подходит для предварительной оценки вибрационной нагрузки.

Указанный уровень вибрации представляет основные виды использования электроинструмента. Но если электроинструмент используется для других целей, используемый инструмент отклоняется от указанного или техническое обслуживание было недостаточным, то уровень вибрации может отклоняться от указанного. В этом случае вибрационная нагрузка в течение всего периода работы значительно увеличивается.

Для точной оценки вибрационной нагрузки необходимо также учитывать время, в течение которого прибор отключен или включен, но фактически не используется. В этом случае вибрационная нагрузка в течение всего периода работы может существенно уменьшиться.

Установите дополнительные меры безопасности для защиты пользователя от воздействия вибрации, например: техническое обслуживание электроинструмента и используемого инструмента, поддержание рук в теплом состоянии, организация рабочих процессов.

**ПРЕДУПРЕЖДЕНИЕ!** Прочтите все указания по безопасности и инструкции. Упущения, допущенные при не соблюдении указаний и инструкций по технике безопасности, могут стать причиной электрического поражения, пожара и тяжелых травм. **Сохраняйте эти инструкции и указания для будущего использования.**

**УКАЗАНИЯ ПО БЕЗОПАСНОСТИ ДЛЯ ШУРУПОВЕРТА**

Держите прибор за изолированные поверхности, если вы выполняете работы, при которых используемый инструмент может войти в скрытую электропроводку или свой собственный кабель. Контакт болта с токоведущим проводом может ставить под напряжение металлические части прибора, а также приводить к удару электрическим током.

При ударном сверлении надевайте защитные наушники.

Воздействие шума может привести к потере слуха.

**ДОПОЛНИТЕЛЬНЫЕ УКАЗАНИЯ ПО БЕЗОПАСНОСТИ И РАБОТЕ**

Пользоваться средствами защиты. Работать с инструментом всегда в защитных очках. Рекомендуется спецодежда: пылезащитная маска, защитные перчатки, прочная и нескользящая обувь, каска и наушники.

Пыль, возникающая при работе данным инструментом, может нанести вред здоровью. Не следует допускать ее попадания в организм. Надевайте противопылевую респиратор.

Запрещается обрабатывать материалы, которые могут нанести вред здоровью (напр., асбест).

При блокировании используемого инструмента немедленно выключить прибор! Не включайте прибор до тех пор, пока используемый инструмент заблокирован, в противном случае может возникнуть отдача с высоким реактивным моментом. Определите и устраните причину блокирования используемого инструмента с учетом указаний по безопасности.

Возможными причинами могут быть:

- перекос заготовки, подлежащей обработке
- разрушение материала, подлежащего обработке
- перегрузка электроинструмента

Не прикасаться к работающему станку.

Используемый инструмент может нагреваться во время применения.

**ВНИМАНИЕ!** Опасность получения ожога

- при смене инструмента
- при укладывании прибора

Не убирайте опилки и обломки при включенном инструменте.

Держите силовой провод вне рабочей зоны инструмента. Всегда прокладывайте кабель за спиной.

При работе в стенах, потолках или полу следите за тем, чтобы не повредить электрические кабели или водопроводные трубы.

Зафиксируйте вашу заготовку с помощью зажимного приспособления. Незафиксированные заготовки могут привести к тяжелым травмам и повреждениям.

Перед выполнением каких-либо работ по обслуживанию инструмента всегда вынимайте вилку из розетки.

**ИСПОЛЬЗОВАНИЕ**

Шуруповерт может использоваться для закручивания шурупов в дерево и металл.

Не пользуйтесь данным инструментом способом, отличным от указанного для нормального применения.

**ДЕКЛАРАЦИЯ О СООТВЕТСТВИИ СТАНДАРТАМ ЕС**

Мы заявляем под собственную ответственность, что изделие, описанное в разделе „Технические характеристики“, соответствует всем важным предписаниям Директивы 2011/65/EU (Директива об ограничении применения опасных веществ в электрических и

электронных приборах), 2014/30/EU, 2006/42/EC и приведенным далее гармонизированным нормативным документам:

EN 60745-1:2009 + A11:2010  
EN 60745-2:2010  
EN 55014-1:2006 + A1:2009 + A2:2011  
EN 55014-2:1997 + A1:2001 + A2:2008  
EN 61000-3-2:2014  
EN 61000-3-3:2013  
EN 50581:2012

Winnenden, 2016-03-29

*Alexander Krug*

Alexander Krug  
Managing Director



Уполномочен на составление технической документации.

Techtronic Industries GmbH  
Max-Eyth-Straße 10  
71364 Winnenden  
Germany

**ПОДКЛЮЧЕНИЕ К ЭЛЕКТРОСЕТИ**

Электроприборы, используемые во многих различных местах, в том числе на открытом воздухе, должны подключаться через устройство, предотвращающее резкое повышение напряжения (FI, RCD, PRCD).

Подсоединять только к однофазной сети переменного тока с напряжением, соответствующим указанному на инструменте. Электроинструмент имеет второй класс защиты, что позволяет подключать его к розеткам электропитания без заземляющего вывода.

Перед включением вилки в розетку убедитесь, что машина выключена.

Этот прибор, предназначенный для профессионального использования, способен немного превышать нормативные показатели для гармонической составляющей тока при подключении к общественной сети низкого напряжения. Поэтому перед тем, как подключить прибор, свяжитесь с предприятием, отвечающим за общественную сеть низкого напряжения, или с соответствующей энергосбытовой компанией.

**ОБСЛУЖИВАНИЕ**

Всегда держите охлаждающие отверстия чистыми.

При износе угольных щеток, в дополнение к замене щеток инструмент следует проверить в сервисном центре. Это обеспечит долгий срок эксплуатации, а также постоянную готовность инструмента к работе.

При повреждении сетевого соединительного кабеля его замену производит служба технической поддержки клиентов, так как для этого требуется специальный инструмент.

Пользуйтесь аксессуарами и запасными частями только фирмы AEG. В случае возникновения необходимости в замене, которая не была описана, пожалуйста, обращайтесь на один из сервисных центров (см. список наших гарантийных/сервисных организаций).

При необходимости может быть заказан чертеж инструмента с трехмерным изображением детали. Пожалуйста, укажите номер и тип инструмента и закажите чертеж у Ваших местных агентов или непосредственно у Techtronic Industries GmbH, Max-Eyth-Straße 10, 71364 Winnenden, Germany.

**СИМВОЛЫ**

**ВНИМАНИЕ! ПРЕДУПРЕЖДЕНИЕ! ОПАСНОСТЬ!**



Перед выполнением каких-либо работ по обслуживанию инструмента всегда вынимайте вилку из розетки.



Пожалуйста, внимательно прочтите инструкцию по использованию перед началом любых операций с инструментом.



Электрические устройства нельзя утилизировать вместе с бытовым мусором. Электрические и электронные устройства следует собирать отдельно и сдавать в специализированную утилизирующую компанию для утилизации в соответствии с нормами охраны окружающей среды. Сведения о центрах вторичной переработки и пунктах сбора можно получить в местных органах власти или у вашего специализированного дилера.



Электроинструмент с классом защиты II. Электроинструмент, в котором защита от электрического удара зависит не только от основной изоляции, но и от того, что принимаются дополнительные защитные меры, такие как двойная изоляция или усиленная изоляция. Нет устройства для подключения защитного провода.



Знак CE



Национальный знак відповідності України



Сертификат Соответствия  
No. TC RU C-DE.ГП86.В.00214  
Срок действия Сертификата Соответствия по 15.06.2020  
ООО «Ручные электрические машины. Сертификация»  
141400, Россия, Московская область,  
Химки, ул.Ленинградская, дом 29

**Транспортировка:**

Категорически не допускается падение и любые механические воздействия на упаковку при транспортировке.

При разгрузке/погрузке не допускается использование любого вида техники, работающей по принципу зажима упаковки.

**Хранение:**

Необходимо хранить в сухом месте. Необходимо хранить вдали от источников повышенных температур и воздействия солнечных лучей.

При хранении необходимо избегать резкого перепада температур.

Хранение без упаковки не допускается.

**Срок службы изделия:**

Срок службы изделия составляет 5 лет. Не рекомендуется к эксплуатации по истечении 5 лет хранения с даты изготовления без предварительной проверки.

**Дата изготовления** (код даты) отштампован на поверхности корпуса изделия.

Пример:

A2015, где 2015 - год изготовления

A – месяц изготовления

Определить месяц изготовления можно согласно приведенной ниже таблице

A - Январь	G - Июль
B - Февраль	H - Август
C - Март	J - Сентябрь
D - Апрель	K - Октябрь
E - Май	L - Ноябрь
F - Июнь	M - Декабрь

Тектроник Индастриз ГмБХ  
Германия, 71364, Винненден,  
ул. Макс-Ай-Штрассе, 10  
Сделано в КНР



**ТЕХНИЧЕСКИ ДАННИ**

	S 2500 E	S 4000 E
Производствен номер.....	4133 58 02... .....4134 32 02...	4133 61 02... .....4132 24 02...
Номинална консумирана мощност.....	720 W	720 W
Отдавана мощност.....	360 W	360 W
Обороти на празен ход.....	0-2500 min <sup>-1</sup>	0-4000 min <sup>-1</sup>
Самопробиващи винтове до макс.....	6,3 mm	6,3 mm
Шестостенни болтове (размер на гаечния ключ).....	10 mm	10 mm
Бързи строителни винтове до макс.....	5,0 mm	5,0 mm
Закрепване на универсален държач.....	1/4"	1/4"
Тегло съгласно процедурата EPTA 01/2003.....	1,5 kg	1,4 kg

**Информация за шума**

Измерените стойности са получени съобразно EN 60745. Нивото на звуково налягане на уреда в db (A) обикновено съставлява

Равнище на звуковото налягане (Несигурност K=3dB(A)).....	86,5 dB (A)	86,5 dB (A)
Равнище на мълкотта на звука (Несигурност K=3dB(A)).....	97,5 dB (A)	97,5 dB (A)

**Да се носи предпазно средство за слуха!****Информация за вибрациите**

Общите стойности на вибрациите (векторна сума на три посоки) са определени в съответствие с EN 60745.

Стойност на емисиите на вибрациите a <sub>w</sub>		
Завинтване.....	< 2,5 m/s <sup>2</sup>	< 2,5 m/s <sup>2</sup>
Несигурност K.....	1,5 m/s <sup>2</sup>	1,5 m/s <sup>2</sup>

**ВНИМАНИЕ**

Посоченото в тези инструкции ниво на вибрациите е измерено в съответствие със стандартизиран в EN 60745 измервателен метод и може да се използва за сравнение на електрически инструменти помежду им. Подходящ е и за временна оценка на вибрационното натоварване.

Посоченото ниво на вибрациите представя основните приложения на електрическия инструмент. Ако обаче електрическият инструмент се използва с друго предназначение, с различни сменяеми инструменти или при недостатъчна техническа поддръжка, нивото на вибрациите може да е различно. Това чувствително може да увеличи вибрационното натоварване по време на целия работен цикъл.

За точната оценка на вибрационното натоварване трябва да се вземат предвид и периодите от време, в които уредът е изключен или работи, но в действителност не се използва. Това чувствително може да намали вибрационното натоварване по време на целия работен цикъл.

Определете допълнителни мерки по техника на безопасност в защита на обслужващия работник от въздействието на вибрациите като например: техническа поддръжка на електрическия инструмент и сменяемите инструменти, поддръжане на ръцете топли, организация на работния цикъл.

**▲ ПРЕДУПРЕЖДЕНИЕ! Прочетете всички указания и напътствия за безопасност.**

Пропуски при спазването на указанията и напътствията за безопасност могат да доведат до токов удар, пожар и/или тежки наранявания.

**Съхранявайте указанията и напътствията за безопасност за справка при нужда.****▲ ИНСТРУКЦИИ ЗА БЕЗОПАСНОСТ ЗА ВИНТОВЕРТ**

Хващайте уреда за изолираните дръжки, когато изпълнявате работи, при които използваният инструмент може да докосне скрити електрически кабели или кабела за уреда. Контактът на болта с токопроводим проводник може да постави метални части на уреда под напрежение и може да Ви хване ток.

Носете предпазни тапи за ушите при ударното пробиване. Шумът може да доведе до загуба на слуха.

**ДОПЪЛНИТЕЛНИ УКАЗАНИЯ ЗА РАБОТА И БЕЗОПАСНОСТ**

Да се използват предпазни средства. При работа с машината винаги носете предпазни очила. Препоръчват се защитно облекло и прахозащитна маска, защитни ръкавици, здрави и нехлъзгащи се обувки, каска и предпазни средства за слуха.

Прахът, който се образува при работа, често е вреден за здравето и не бива да попада в тялото. Да се носи подходяща прахозащитна маска.

Не е разрешена обработката на материали, които представляват опасност за здравето (напр. азбест).

Ако използваният инструмент блокира, изключете веднага уреда! Не включвайте уреда отново, докато използваният инструмент е блокиран, това би могло да доведе до откат с висока реактивна сила. Открийте и отстранете причината за блокирането на използвания инструмент имайки в предвид инструкциите за безопасност.

Възможните причини за това могат да бъдат:

- Заклинване в обработваната част
- Пробиване на материала
- Пренатоварване на електрическия инструмент

Не бъркайте в машината, докато тя работи.

Използваният инструмент може да загрее по време на употреба.

**ВНИМАНИЕ! Опасност от изгаряния**

- при смяна на инструмента
- при оставяне на уреда

Стружки или отчупени парчета да не се отстраняват, докато машина работи.

Свързващият кабел винаги да се държи извън работния обхват на машината. Кабелът да се отвежда от машината винаги назад.

При работа в стени, тавани или подове внимавайте за кабели, газопроводи и водопроводи.

Закрепете обработваната част с устройство за захващане. Незакрепени части за обработка могат да причинят сериозни наранявания и материални щети.

Преди каквито и да е работи по машината извадете щепсела от контакта.

**ИЗПОЛЗВАНЕ ПО ПРЕДНАЗНАЧЕНИЕ**

Строителната електрическа отвертка може да се използва за завинтване в дърво и ламарина и за съединяване на метални части чрез завинтване (според използваните принадлежности)..

Този уред може да се използва по предназначение само както е посочено.

**СЕ - ДЕКЛАРАЦИЯ ЗА СЪОТВЕТСТВИЕ**

Заявяваме под собствена отговорност, че описаният в „Технически данни“ продукт съответства на всички важни разпоредби на директива 2011/65/EU (RoHS), 2014/30/EU, 2006/42/EO, както и на всички следващи нормативни документи във тази връзка.

EN 60745-1:2009 + A11:2010  
EN 60745-2-2:2010  
EN 55014-1:2006 + A1:2009 + A2:2011  
EN 55014-2:1997 + A1:2001 + A2:2008  
EN 61000-3-2:2014  
EN 61000-3-3:2013  
EN 50581:2012

Winnenden, 2016-03-29



Alexander Krug  
Managing Director

Упълномощен за съставяне на техническата документация

Techtronic Industries GmbH  
Max-Eyth-Straße 10  
71364 Winnenden  
Germany

**ЗАЩИТА НА ДВИГАТЕЛЯ В ЗАВИСИМОСТ ОТ НАТОВАРВАНЕТО**

Контактите във външните участъци трябва да бъдат оборудвани със защитни прекъсвачи за утечен ток (FI, RCD, PRCD). Това изисква предписанието за инсталиране за електрическата инсталация. Моля спазвайте това при използване на Вашия уред.

Да се свързва само към еднофазен променлив ток и само към мрежово напрежение, посочено върху заводската табелка. Възможно е и свързване към контакт, който не е от тип "шuko", понеже конструкцията е от защитен клас II.

Свързвайте уреда към контакта само в изключено състояние.

Това е уред за професионална употреба, който минимално може да надвиши ориентировъчните стойности за хармонични токови вълни при свързване към обществената електрическа мрежа за ниско напрежение. Затова преди свързване на уреда се консултирайте с компетентното електроразпределително дружество.

**ПОДДРЪЖКА**

Вентилационните шлицы на машината да се поддържат винаги чисти.

Ако въгленовите четки са износени, те трябва да се сменят и допълнително е необходим преглед в сервис. Това ще удължи експлоатационния срок на машината и гарантира постоянна експлоатационна готовност.

Ако кабелът на захранването е повреден, то занесете го за смяна в сервис, тъй като за това са необходими специални инструменти.

Да се използват само аксесоари на AEG и резервни части на. Елементи, чията подмяна не е описана, да се дадат за подмяна в сервис на AEG (вижте брошурата "Гаранция и адреси на сервизи").

При необходимост можете да поискате за уреда от Вашия сервис или директно от Techtronic Industries GmbH, Max-Eyth-Straße 10, 71364 Winnenden, Germany, чертеж за в случай на експлозия, като посочите типа на машината и номер върху заводската табелка.

**СИМВОЛИ**

**ВНИМАНИЕ! ПРЕДУПРЕЖДЕНИЕ!  
ОПАСНОСТ**



Преди каквито и да е работи по машината извадете щепсела от контакта.



Преди пускане на уреда в действие моля прочетете внимателно инструкцията за използване.



Електрическите уреди не трябва да се изхвърлят заедно с битовите отпадъци. Електрическото и електронното оборудване трябва да се събират отделно и да се предават на службите за рециклиране на отпадъците според изискванията за опазване на околната среда. Информирайте се при местните служби или при местните специализирани търговци относно местата за събиране и центровете за рециклиране на отпадъци.



Електроинструмент от защитен клас II. Електроинструмент, при който защитата от електрически удар зависи не само от основната изолация, а и от обстоятелството, че се използват допълнителни защитни мерки като двойна изолация или усилена изолация. Няма приспособление за присъединяване на защитен проводник.



CE-знак



Национален знак за съответствие -  
Украйна



EurAsian знак за съответствие.

DATE TEHNICE	S 2500 E	S 4000 E
Număr producție .....	4133 58 02... ..4133 61 02...	4133 61 02... ..4133 61 02...
Putere nominală de ieșire.....	720 W.....720 W	720 W.....720 W
Putere de ieșire .....	360 W.....360 W	360 W.....360 W
Viteza la mers în gol.....	0-2500 min <sup>-1</sup> .....	0-4000 min <sup>-1</sup> .....
Șuruburi auto perforante până la max.....	6,3 mm.....	6,3 mm.....
Șuruburi Allen.....	10 mm.....	10 mm.....
Însurubează perete uscat până la max.....	5,0 mm.....	5,0 mm.....
Locaș universal.....	1/4".....	1/4".....
Greutatea conform "EPTA procedure 01/2003".....	1,5 kg.....	1,4 kg.....

#### Informație privind zgomotul

Valori măsurate determinate conform EN 60745.

Valoarea reală A a nivelului presiunii sonore a sculei este:

Nivelul presiunii sonore (Nesiguranță K=3dB(A)).....	86,5 dB (A).....	86,5 dB (A).....
Nivelul sunetului (Nesiguranță K=3dB(A)).....	97,5 dB (A).....	97,5 dB (A).....

#### Purtați căști de protecție

#### Informații privind vibrațiile

Valorile totale de oscilație (suma vectorială pe trei direcții) determinate conform normei EN 60745.

Valoarea emisiei de oscilații a,

Înșurubare .....	< 2,5 m/s <sup>2</sup> .....	< 2,5 m/s <sup>2</sup> .....
Nesiguranță K.....	1,5 m/s <sup>2</sup> .....	1,5 m/s <sup>2</sup> .....

#### AVERTISMENT

Gradul de oscilație indicat în prezentele instrucțiuni a fost măsurat în conformitate cu o procedură de măsurare normată prin norma EN 60745 și poate fi folosit pentru a compara unelte electrice între ele. El se pretează și pentru o evaluare provizorie a solicitării la oscilații.

Gradul de oscilație indicat reprezintă aplicațiile principale ale uneltelor electrice. În cazul în care însă uneltele electrice au fost folosite pentru alte aplicații, ori au fost folosite unelte de muncă diferite ori acestea nu au fost supuse unei suficiente inspecții de întreținere, gradul de oscilație poate fi diferit. Acest fapt poate duce la o creștere netă a solicitărilor la oscilații dealungul întregii perioade de lucru.

În scopul unei evaluări exacte a solicitării la oscilații, urmează să fie luate în considerație și perioadele de timp în care aparatul a fost oprit ori funcționează dar, în realitate, el nu este folosit în mod practic. Acest fapt poate duce la o reducere netă a solicitărilor la oscilații dealungul întregii perioade de lucru.

Stabiliți măsuri de siguranță suplimentare în scopul protecției utilizatorului de efectele oscilațiilor, de exemplu: inspecție de întreținere a uneltelor electrice și a celor de muncă, păstrarea caldă a mâinilor, organizarea proceselor de muncă.

**AVERTIZARE! Citiți toate indicațiile de siguranță și toate instrucțiunile.** Nerespectarea indicațiilor de avertizare și a instrucțiunilor poate provoca electrocutare, incendii și/sau răni grave.

**Păstrați toate indicațiile de avertizare și instrucțiunile în vederea utilizărilor viitoare.**

#### INSTRUCIUNI DE SIGURANȚĂ PENTRU ȘURUBELNIȚĂ ELECTRICĂ

Dacă efectuați lucrări la care scula montată poate nimeri cabluri electrice ascunse sau propriul cablu de alimentare, țineți aparatul de suprafețele izolate ale mânerelor. Contactul șurubului cu un conductor prin care circulă curentul electric poate pune sub tensiune componente metalice ale aparatului, provocând electrocutare.

**La găurirea cu percuție purtați echipament de protecție pentru auz.** Expunerea la zgomot poate duce la pierderea auzului.

#### INSTRUCIUNI SUPPLEMENTARE DE SIGURANȚĂ ȘI DE LUCRU

Folosiți echipament de protecție. Purtați întotdeauna ochelari de protecție când lucrați cu mașina. Se recomandă utilizarea hainelor de protecție ca de ex. Măști contra prafului, mănuși de protecție, încălțăminte stabilă nealunecoasă, cască și aparatoare de urechi.

Praful care apare când se lucrează cu această sculă poate fi dăunător sănătății și prin urmare nu trebuie să atingă corpul. Purtați o mască de protecție corespunzătoare împotriva prafului.

Nu se admite prelucrarea unui material care poate pune în pericol sănătatea operatorului (de exemplu azbestul).

La blocarea sculei demontabile vă rugăm să deconectați imediat aparatul! Nu conectați aparatul atâta timp cât scula demontabilă este blocată; dacă o faceți, s-ar putea să se producă un recul cu un cuplu mare de reacție. Găsiți și remediați cauza de blocare a sculei demontabile respectând indicațiile pentru siguranță.

Cauzele posibile pot fi:

- Agățarea în piesa de prelucrat
- Străpungerea materialului de prelucrat
- Suprasolicitarea sculei electrice

Nu atingeți părțile mașinii aflate în rotație.

Scula introdusă poate să devină fierbinte în timpul utilizării.

**AVERTISMENT!** Pericol de arsuri

- la schimbarea sculei
- la depunerea aparatului

Rumegușul și spanul nu trebuie îndepărtate în timpul funcționării mașinii.

Pastrați cablul de alimentare la o distanță de aria de lucru a mașinii. Întotdeauna țineți cablul în spatele dvs.

Când se lucrează pe pereți, tavan sau dușumea, aveți grijă să evitați cablurile electrice și țevile de gaz sau de apă.

Asigurați piesa de prelucrat cu un dispozitiv de fixare. Piese neasigurate pot provoca accidente grave și stricăciuni.

Întotdeauna scoateți stecarul din priză înainte de a efectua intervenții la mașină.

#### CONDIȚII DE UTILIZARE SPECIFICATE

Mașina de înșurubat este adecvată pentru fixarea șuruburilor pe perete când se fixează panouri din rigips pe schelet de metal sau lemn.

Nu utilizați acest produs în alt mod decât cel stabilit pentru utilizare normală

#### DECLARAȚIE DE CONFORMITATE

Declarăm pe propria răspundere că produsul descris la „Date tehnice” este în concordanță cu toate prevederile legale relevante ale Directivei 2011/65/EU (RoHS), 2014/30/UE, 2006/42/CE și cu următoarele norme armonizate:

EN 60745-1:2009 + A11:2010  
EN 60745-2-2:2010  
EN 55014-1:2006 + A1:2009 + A2:2011  
EN 55014-2:1997 + A1:2001 + A2:2008  
EN 61000-3-2:2014  
EN 61000-3-3:2013  
EN 50581:2012

Winnenden, 2016-03-29

*Alexander Krug*

Alexander Krug  
Managing Director

Împuternicit să elaboreze documentația tehnică.

Techronic Industries GmbH  
Max-Eyth-Straße 10  
71364 Winnenden  
Germany

#### ALIMENTARE DE LA REȚEA

Aparatele utilizate în multe locații diferite inclusiv în aer liber trebuie conectate printr-un disjunct (FI, RCD, PRCD) care previne comutarea.

Conectați numai la priză de curent alternativ monofazat și numai la tensiunea specificată pe placuța indicatoare. Se permite conectarea și la prize fără împământare dacă modelul se conformează clasei II de securitate.

Asigurați-vă că aparatul este oprit, înainte de conectare.

Acesta este un aparat pentru profesioniști care, dacă este conectat la rețeaua publică de joasă tensiune, poate depăși cu puțin valorile de referință pentru armonicile de curent. Contactați de aceea, înainte de a conecta aparatul la rețeaua publică de joasă tensiune, eventual întreprinderea care vă alimentează cu energie.

#### INTREȚINERE

Fantele de aerisire ale mașinii trebuie să fie menținute libere tot timpul

Nota importantă: dacă perile de carbon sunt uzate, în plus față de schimbarea perilor scula trebuie trimisă la service-ul post vânzare. Aceasta va asigura o viață lungă de lucru și performanțe de vârf.

Dacă cablul de racordare la rețea este avariat, acesta trebuie înlocuit la un punct de service, deoarece pentru aceasta este nevoie de scule speciale.

Utilizați numai accesorii și piese de schimb AEG. Dacă unele din componente care nu au fost descrise trebuie înlocuite, vă rugăm contactați unul din agenții de service AEG (vezi lista noastră pentru service / garanție)

Dacă este necesară, se poate comanda o imagine descompusă a sculei. Vă rugăm menționați numărul art. Precum și tipul mașinii tipărit pe etichetă și comandați desenul la agenții de service locali sau direct la Techronic Industries GmbH, Max-Eyth-Straße 10, 71364 Winnenden, Germany.

#### SIMBOLURI



PERICOL! AVERTIZARE! ATENȚIE!



Întotdeauna scoateți stecarul din priză înainte de a efectua intervenții la mașină.



Va rugăm citiți cu atenție instrucțiunile înainte de pornirea mașinii



Aruncarea aparatelor electrice la gunoii menajer este interzisă. Echipamentele electrice și electronice trebuie colectate separat și predate la un centru de reciclare și eliminare a deșeurilor, pentru a fi eliminate ecologic. Interesați-vă la autoritățile locale sau la comerciantul dvs. de specialitate unde se află centre de reciclare și puncte de colectare.



Sculă electrică cu clasa de protecție II. Sculă electrică la care protecția împotriva unei electrocutări nu depinde doar de izolația de bază, ci și de aplicarea de măsuri suplimentare de protecție, cum ar fi o izolație dublă sau o izolație mai puternică. Nu există un dispozitiv pentru conectarea unui conductor de protecție.



Marcaj CE



Marcaj național de conformitate Ucraina



Marcaj de conformitate EurAsian.

**ТЕХНИЧКИ ПОДАТОЦИ**

	S 2500 E	S 4000 E
Производен број.....	4133 58 02... ..4133 61 02... ..	4132 24 02... ..
.....	...000001-999999	...000001-999999
Определен внес .....	720 W .....	720 W .....
Излез.....	360 W .....	360 W .....
Брзина без оптоварување .....	0-2500 min <sup>-1</sup> .....	0-4000 min <sup>-1</sup> .....
Шрафовите со остар врв до максимум .....	6,3 mm .....	6,3 mm .....
Allen шрафови (ширина на клуч) .....	10 mm .....	10 mm .....
Шрафови за во сув сид до максимум.....	5,0 mm .....	5,0 mm .....
Универзално лежиште.....	1/4" .....	1/4" .....
Тежина според ЕПТА-процедурата 01/2003 .....	1,5 kg.....	1,4 kg .....

**Информации за бучавата**

Измерените вредности се одредени согласно стандардот EN 60745.

Типично очекувано ниво на звучен притисок на алатот е:

Ниво на звучен притисок. (Несигурност K=3dB(A))..... 86,5 dB (A) .....

Ниво на јачина на звук. (Несигурност K=3dB(A))..... 97,5 dB (A) .....

**Носте штитник за уши.****Информации за вибрации**

Вкупни вибрациски вредности (векторски збир на трите насоки) пресметани согласно EN 60745.

Вибрациска емисиона вредност a<sub>v</sub>

Зашрафување .....

Несигурност K.....

**ПРЕДУПРЕДУВАЊЕ**

Нивото на осцилација наведено во овие инструкции е измерено во согласност со мерните постапки нормирани во EN 60745 и може да биде употребено за меѓусебна споредба на електро-алати. Ова ниво може да се употреби и за привремена проценка на оптоварувањето на осцилацијата.

Наведеното ниво на осцилација ги репрезентира главните намени на електро-алатот. Но, доколку електро-алатот се употребува за други намени, со отстапувачки додатоци или со несоодветно одржување, нивото на осцилација може да отстапи. Тоа може значително да го зголеми оптоварувањето на осцилацијата за време на целиот работен период.

За прецизна проценка на оптоварувањето на осцилацијата предвид треба да бидат земени и времињата, во коишто апаратот е исклучен или работи, но фактички не се употребува. Тоа може значително да го намали оптоварувањето на осцилацијата за време на целиот работен период.

Уврдете дополнителни безбедносни мерки за заштита на операторот од влијанието на осцилациите, како на пример: одржување на електро-алатот и на додатоци кон електро-алатот, одржување топли раце, организација на работните процеси.

**▲ ВНИМАНИЕ! Прочитајте ги безбедносните напomenи и упатства.** Забораване на почитувањето на безбедносните упатства и инструкции можат да предизвикаат електричен удар, пожар и/или тешки повреди.  
**Сочувајте ги сите безбедносни упатства и инструкции за во иднина.**

**▲ БЕЗБЕДНОСНИ НАПОМЕНИ ЗА ИНДУСТРИСКИ ШТРАФЦИГЕР**

Држете го апаратот за изолираните површини за држење кога ги изведувате работите кај кои што употребеното орудие може да допре до сокриен струен вод или да го погоди сопствениот кабел. Контактот на навртката со вод под напон може да ги стави металните делови од апаратот под напон и да доведе до електричен удар.

При работата со перкусионата бормашина носете заштита за ушите. Влијанието на бука може да предизвика губење на сетилото за слух.

**ОСТАНАТИ БЕЗБЕДНОСНИ И РАБОТНИ УПАТСТВА**

Употребувајте заштитна опрема. При работа со машината постојано носете заштитни очила. Се препорачува заштитна облека како: маска за заштита од прашина, заштитни ракавици, цврсти чевли што не се лизгаат, кацига и заштита за уши.

Пришната која се создава при користење на овој алат може да биде штетна по здравјето. Не ја вдишувајте. Носете соодветна заштитна маска.

Не смеат да бидат обработувани материјали кои што можат да го загрозат здравјето (на пр. азбест).

Доколку употребуваното орудие се блокира, молиме веднаш да се исклучи апаратот! Не го вклучувајте апаратот повторно додека употребуваното орудие е блокирано; притоа би можело да дојде до повратен удар со висок момент на реакција. Испитајте и отстранете ја причината за блокирањето на употребеното орудие имајќи ги во предвид напомените за безбедност.

Можни причини би можеле да се:

- Закантување во парчето кое што се обработува
- Кршење поради продирање на материјалот кој што се обработува
- Преоптоварување на електричното орудие

Не фаќајте во машината кога работи.

Употребеното орудие за време на примената може да стане многу жешко.

**ПРЕДУПРЕДУВАЊЕ! Опасност од изгоретини**

- при менување на орудието
- при ставање на апаратот на страна

Прашината и струготините не смеат да се одстрануваат додека е машината работи.

Чувајте го кабелот за напојување подалеку од работната површина. Секогаш водете го кабелот позади вас.

Кога работите на сидови, таван или под внимавајте да ги избегнете електричните, гасните и водоводни инсталации.

Обезбедете го предметот кој што го обработувате со направа за напон. Необезбедени парчиња кои што се обработуваат можат да предизвикаат тешки повреди и оштетувања.

Секогаш кога преземате активности врз машината исклучете го кабелот од струјата.

**СПЕЦИФИЦИРАНИ УСЛОВИ НА УПОТРЕБА**

Шрафцигерот е погоден за поставување на шrafoви во цврст сид при поставување на гипсни табли па дрвена или метална подлога.

Не го користете овој производ на било кој друг начин освен пропишаниот за нормална употреба.

**ЕУ-ДЕКЛАРАЦИЈА ЗА СООБРАЗНОСТ**

Во своја сопствена одговорност изјавуваме дека под „Технички податоци“ опишаниот производ е во склад со сите релевантни прописи од регулативата 2011/65/EU (RoHS), 2014/30/EU, 2006/42/EC и следните хармонизирачки нормативни документи:

EN 60745-1:2009 + A11:2010

EN 60745-2-2:2010

EN 55014-1:2006 + A1:2009 + A2:2011

EN 55014-2:1997 + A1:2001 + A2:2008

EN 61000-3-2:2014

EN 61000-3-3:2013

EN 50581:2012

Winnenden, 2016-03-29



Alexander Krug  
Managing Director



Ополномоштен за составување на техничката документација.

Techtronic Industries GmbH

Max-Eyth-Straße 10

71364 Winnenden

Germany

**ГЛАВНИ ВРСКИ**

Уредите кои се користат на многу различни локации вклучувајќи и отворен простор мора да бидат поврзани за струја преку направата за поврзување (FI, RCD, PRCD).

Да се спои само за една фаза AC коло и само на главниот напон наведен на плочката. Можно е исто така и поврзување на приклучок без заземјување доколку изведбата соодветствува на безбедност од 2 класа.

Бидете сигурни дека машината е исклучена пред да ја вклучите во струја.

Овој апарат претставува апарат за професионална употреба, кој може незначително да ги пречекори ориентационите вредности за струјни горни бранови при приклучување на јавната мрежа за низок напон. Затоа пред приклучување на апаратот на јавна мрежа за низок напон по потреба контактирајте со компанијата што е одговорна за вашето напојување со електрична енергија.

**ОДРЖУВАЊЕ**

Вентилациските отвори на машината мора да бидат комплетно отворени постојано.

Важна забелешка! Доколку карбонските четкички се истрошени, со цел истите да бидат заменети алатот треба да биде пратен во постпродажниот центар. Ова ќе обезбеди долг употребен век и највисоки перформанси.

Ако приклучниот мрежен вод е оштетен, тој мора да биде заменет од служба за клиенти, бидејќи за тоа е потребен посебен алат.

Користете само AEG додатоци и резервни делови. Доколку некои од компонентите кои не се опишани треба да бидат заменети, Ве молиме контактирајте ги сервисните агенти на AEG (консултирајте ја листата на адреси).

Доколку е потребно можно е да биде набавен детален приказ на алатот. Ве молиме наведете го бројот на артиклот како и типот на машина кој е отпечатен на етикетата и порачајте ја скицата кај локалниот застапник или директно кај: Techtronic Industries GmbH, Max-Eyth-Straße 10, 71364 Winnenden, Germany.

**СИМБОЛИ**

**ВНИМАНИЕ! ПРЕДУПРЕДУВАЊЕ!  
ОПАСНОСТ!**



Секогаш кога преземате активности врз машината исклучете го кабелот од струјата.



Ве молиме пред да ја стартувате машината обрнете внимание на упатствата за употреба.



Електричните апарати не смеат да се фрлат заедно со домашниот отпад. Електричните и електронските апарати треба да се собираат одделно и да се однесат во соодветниот погон заради нивно фрлање во склад со начелата за заштита на околината. Информирајте се кај Вашите местни служби или кај специјализираниот трговски претставник, каде има такви погони за рециклажа и собирни станици.



Електрично орудие од заштитната категорија II.  
Електрично орудие чијашто заштита од електричен удар не зависи само од основната изолација туку и од тоа дали ќе се применат дополнителните заштитни мерки како што се двоstrukите изолации или појачаната изолација.  
Не постои никаква направа за приклучување на некој заштитен вод.



CE-знак



Национален конформитетски знак за Украина

TR 066



EurAsian (Евроазиски) знак на конформитет.

**ТЕХНІЧНІ ХАРАКТЕРИСТИКИ**

	S 2500 E	S 4000 E
Номер виробу.....	4133 58 02... ..4133 61 02...	4133 61 02... ..4133 24 02...
Номинальна споживана потужність.....	720 W.....720 W	720 W.....720 W
Віддавана потужність.....	360 W.....360 W	360 W.....360 W
Кількість обертів холостого ходу.....	0-2500 min <sup>-1</sup> .....0-4000 min <sup>-1</sup>	0-2500 min <sup>-1</sup> .....0-4000 min <sup>-1</sup>
Самонарізні шурупи до макс.....	6,3 mm.....6,3 mm	6,3 mm.....6,3 mm
Гвинти з шестигранними голівками (розмір під ключ).....	10 mm.....10 mm	10 mm.....10 mm
Самонарізні шурупи до макс.....	5,0 mm.....5,0 mm	5,0 mm.....5,0 mm
Універсальне кріплення.....	1/4".....1/4"	1/4".....1/4"
Вага згідно з процедурою EPTA 01/2003.....	1,5 kg.....1,5 kg	1,5 kg.....1,5 kg

**Інформація про шум**

Виміряні значення визначені згідно з EN 60 745.

Рівень шуму "А" приладу становить в типовому випадку:

Рівень звукового тиску (похибка K = 3 дБ(А)).....86,5 dB (A).....86,5 dB (A)

Рівень звукової потужності (похибка K = 3 дБ(А)).....97,5 dB (A).....97,5 dB (A)

**Використовувати засоби захисту органів слуху!****Інформація щодо вібрації**

Сумарні значення вібрації (векторна сума трьох напрямків), встановлені згідно з EN 60745.

Значення вібрації a<sub>v</sub>

Пригвинчування.....< 2,5 m/s<sup>2</sup>.....< 2,5 m/s<sup>2</sup>

похибка K =.....1,5 m/s<sup>2</sup>.....1,5 m/s<sup>2</sup>

**ПОПЕРЕДЖЕННЯ!**

Рівень вібрації, вказаний в цій інструкції, вимірювався згідно з методом вимірювання, нормованим стандартом EN 60745, і може використовуватися для порівняння електроінструментів. Він призначений також для попередньої оцінки навантаження від вібрації.

Вказаний рівень вібрації відповідає основним сферам використання електроінструменту. Але якщо електроінструмент використовується для іншої мети, з іншими вставними інструментами або при недостатньому технічному обслуговуванні, рівень вібрації може бути іншим. Це може значно підвищити навантаження від вібрації за весь період роботи.

Для точної оцінки навантаження від вібрації необхідно також врахувати час, коли прилад вимкнений або увімкнений, але фактично не використовується. Це може значно зменшити навантаження від вібрації за весь період роботи.

Визначте додаткові заходи безпеки для захисту оператора від дії вібрації, наприклад: Технічне обслуговування електроінструменту та вставних інструментів, зігрівання рук, організація робочих процесів.

**▲ ПОПЕРЕДЖЕННЯ! Прочитайте всі вказівки з**

**техніки безпеки та інструкції.** Упущення при дотриманні вказівок з техніки безпеки та інструкції можуть призвести до ураження електричним струмом, пожежі та/або тяжких травм.

**Зберігайте всі вказівки з техніки безпеки та інструкції на майбутнє.**

**▲ ВКАЗІВКИ З ТЕХНІКИ БЕЗПЕКИ ДЛЯ УДАРНОГО ГВИНТОКРУТА**

**Під час виконання робіт тримайте прилад за ізольовані поверхні рукояток, якщо вставний інструмент може натрапити на приховані електричні лінії або власний мережевий кабель.**

Контакт з лінією під напругою може призвести до появи напруги в металевих частинах приладу та до ураження електричним струмом.

**Користуйтеся засобами захисту органів слуху.** Вплив шуму може спричинити втрату слуху.

**ДОДАТКОВІ ІНСТРУКЦІЇ З ТЕХНІКИ БЕЗПЕКИ ТА ЕКСПЛУАТАЦІЇ**

Використовуйте індивідуальні засоби захисту. Під час роботи з машиною завжди носіть захисні окуляри. Радимо використовувати захисний одяг, як наприклад маску для захисту від пилу, захисні рукавиці, міцне та нековзне взуття, каску та засоби захисту органів слуху.

Пил, що утворюється під час роботи, часто буває шкідливим для здоров'я; він не повинен потрапляти в організм. Носіть відповідну маску для захисту від пилу.

Не можна обробляти матеріали, небезпечні для здоров'я (наприклад, азбест).

При блокуванні вставного інструменту негайно вимкніть прилад! Не вмикайте прилад, якщо вставний інструмент заблокований; при цьому може виникати віддача з високим зворотнім моментом. Визначити та усунути причину блокування вставного інструменту з урахуванням вказівок з техніки безпеки.

Можливі причини:

- Перекіс в заготовці, що обробляється
- Пробивання оброблюваного матеріалу
- Перевантаження електроінструменту

Частини тіла не повинні потрапляти в машину, коли вона працює.

Вставний інструмент може нагріватися під час роботи.

**ПОПЕРЕДЖЕННЯ! Небезпека опіків**

- при заміні інструменту
- при відкладанні приладу

Не можна видаляти стружку або уламки, коли машина працює.

З'єднувальний кабель завжди тримати за межами радіуса дії машини. Вести кабель завжди позаду машини.

Під час роботи на стінах, стелях або підлозі звертати увагу на електричні кабелі, газові та водопровідні лінії.

Зафіксувати заготовку в затисковому пристрої. Незакріплені заготовки можуть привести до тяжких травм та пошкодження.

Перед будь-якими роботами на машині витягнути штекер із штепсельної розетки.

**ВИКОРИСТАННЯ ЗА ПРИЗНАЧЕННЯМ**

Будівельний гвинтокрут можна використовувати для пригвинчування гвинтів в деревині та металевому листі та для з'єднання гвинтами металевих деталей (залежно від використаних комплектуючих).

Цей прилад можна використовувати тільки за призначенням так, як вказано в цьому документі.

**СЕРТИФІКАТ ВІДПОВІДНОСТІ ВИМОГАМ ЄС**

Ми заявляємо на власну відповідальність, що виріб, описаний в „Технічних даних“, відповідає всім застосованим положенням директиви 2011/65/EU (RoHS), 2014/30/EU, 2006/42/EG, та наступним гармонізованим нормативним документам:

EN 60745-1:2009 + A1:2010

EN 60745-2-2:2010

EN 55014-1:2006 + A1:2009 + A2:2011

EN 55014-2:1997 + A1:2001 + A2:2008

EN 61000-3-2:2014

EN 61000-3-3:2013

EN 50581:2012

Winnenden, 2016-03-29



Alexander Krug  
Managing Director



Уповноважений із складання технічної документації.

Techtronic Industries GmbH

Max-Eyth-Straße 10

71364 Winnenden

Germany

**ПІДКЛЮЧЕННЯ ДО МЕРЕЖІ**

Штепсельні розетки за межами приміщень та на вологих ділянках повинні бути оснащені автоматичним запобіжним вимикачем, який спрацює при появі струму витоку (FI, RCD, PRCD). Для цього необхідні монтажні інструкції для вашої електричної системи. Майте це на увазі при користуванні нашим приладом.

Підключати лише до однофазного змінного струму і напруги мережі, як вказано на фірмовій табличці з паспортними даними. Можливе підключення також до штепсельних розеток без захисного контакту, адже конструкція має клас захисту II.

Підключати пристрій до штепсельної розетки лише вимкнутим.

Це прилад для професійного використання, він може трохи перевищувати нормативні показники для вищих гармонік струму при підключенні до низьковольтної мережі загального користування. Тому перед підключенням приладу до низьковольтної мережі загального користування зв'яжіться, у разі необхідності, з вашою організацією енергопостачання.

**ОБСЛУГОВУВАННЯ**

Завжди підтримувати чистоту вентиляційних отворів.

При зношенні вугільних щіток додатково до заміни щіток необхідно виконати сервісне обслуговування в сервісному центрі. Це підвищує термін експлуатації машини та гарантує постійну готовність до експлуатації.

Якщо мережевий кабель живлення пошкоджений, то його повинна замінити сервісна служба, щоб уникнути небезпеки.

Використовувати комплектуючі та запчастини тільки від AEG. Деталі, заміна яких не описується, замінювати тільки в відділі обслуговування клієнтів AEG (зверніть увагу на брошуру "Гарантія / адреси сервісних центрів").

У разі необхідності можна запросити креслення з зображенням вузлів машини в перспективному вигляді, для цього потрібно звернутися в ваш відділ обслуговування клієнтів або безпосередньо в Techtronic Industries GmbH, Max-Eyth-Straße 10, 71364 Winnenden, Німеччина, та вказати тип машини та шестизначний номер на фірмовій табличці з даними машини.

**СИМВОЛИ**

**УВАГА! ПОПЕРЕДЖЕННЯ! НЕБЕЗПЕЧНО!**



Перед будь-якими роботами на машині витягнути штекер із штепсельної розетки.



Уважно прочитайте інструкцію з експлуатації перед введенням приладу в дію.



Електричні прилади не можна утилізувати з побутовими відходами.

Електричні та електронні прилади необхідно збирати окремо та здавати в спеціалізовані підприємства для утилізації, що не шкодить навколишньому середовищу.

Зверніться до місцевих органів або до вашого дилера, щоб отримати адреси пунктів вторинної переробки та пунктів прийому.



Електроінструмент класу захисту II. Електроінструмент, в якому захист від ураження електричним струмом залежить не лише від базової ізоляції, але й від використовуваних додаткових засобів захисту, таких як подвійна ізоляція або посилена ізоляція. Немає пристроїв для підключення захисного з'єднання.



Знак CE



Національний знак відповідності для України



Знак відповідності для Європи та Азії EurAsian

الصيانة
يجب أن تكون فتحات تهوية الجهاز نظيفة طوال الوقت.
استخدم ملحقات AEG وقطع الغيار التابعة لها فقط. إذا كانت المكونات التي يجب تغييرها غير مذكورة، يرجى الاتصال بأحد عملاء صيانة AEG (انظر قائمة عناوين الضمان/الصيانة الخاصة بنا).
يمكن طلب تصميم الآلة، وذلك إذا ما دعت الحاجة لذلك. يرجى ذكر رقم المقال كذلك نوع الآلة المكتوب على البطاقة وطلب التصميم لدى عملاء الخدمة المحليين أو مباشرة على: Techtronic Industries GmbH, Max-Eyth-Straße 10, 71364 Winnenden, Germany

#### الرموز

يرجى قراءة التعليمات بعناية قبل بدء تشغيل الجهاز.

احرص دائماً على فصل القابس من المقبس قبل القيام بأية أعمال صيانة أو خدمة على الآلة.

لا تتخلص من الأدوات الكهربائية مع النفايات المنزلية! مراعاة للتوجيهات الأوروبية EC/2002/96 بشأن المخلفات الكهربائية والمعدات الإلكترونية وتنفيذها وفقاً للقانون الوطني، يجب تجميع الأدوات الكهربائية التي انتهت صلاحيتها بشكل منفصل وإعادتها إلى مصنع إعادة تدوير غير مضر بالبيئة.

أداة الوقاية من الفعلة II، وهي أداة لا تعتمد بها الحماية من الصدمة الكهربائية على العزل الأساسي فقط، ولكنها تتضمن احتياطات سلامة إضافية، مثل العزل المزدوج أو العزل المعزز.

بيورولاً داتح - قبطالما نل

العلامة الوطنية للمطابقة الأوكرانية

علامة المطابقة الأوروبية الآسيوية.

CE

TR 066

EAC

مفك براغي	البيئات القنب	S 2500 E	S 4000 E
إنتاج عدد.....	4133 58 02.....	4133 61 02.....	4132 24 02.....
المدخل المقدر.....	.....	.....	.....
الخروج.....	.....	.....	.....
السرعة دون وجود حمل.....	.....	.....	.....
المسامير ذاتية التثبيت حتى الحد الأقصى.....	.....	.....	.....
مسامير آلن (العرض الأساسي).....	.....	.....	.....
ربط المسامير بالحدران الحجرية بالسرعة القصوى.....	.....	.....	.....
المستقبل عام الأغراض.....	.....	.....	.....
الوزن وفقاً لنهج EPTA رقم 01/2003.....	.....	.....	.....

معلومات الضوضاء

القيم التي تم قياسها محددة وفقاً للمعايير الأوروبية EN 60 745 مستويات ضوضاء الجهاز، ترجيحاً بشكل نموذجي كالتالي:

مستوى ضغط الصوت (ك = 3 ديسيبل (A))..... dB (A) 86,5

مستوى شدة الصوت (ك = 3 ديسيبل (A))..... dB (A) 97,5

ارتد وأقيات الأذن!

معلومات الاهتزاز

قيم الذبذبات الإجمالية (مجموع الكميات الموجهة في المحاور الثلاثة) محددة وفقاً للمعايير الأوروبية EN 60745.

قيمة انبعاث الذبذبات (ah)

ربط المسامير..... m/s<sup>2</sup> 2,5 >

الارتياح في القياس..... m/s<sup>2</sup> 1,5

**تحذير**

تم قياس مستوى انبعاث الذبذبات الموجود بوثيقة المعلومات هذه وفقاً للاختبار القياسي وفقاً للمعايير الأوروبية EN 60745 ويمكن استخدامه لمقارنة جهاز بغيره. كما يمكن استخدامه لعرض تقييم تمهيدي.

يمثل مستوى انبعاث الذبذبات المعلن عنه لتطبيقات الجهاز الرئيسية. بالرغم من ذلك، فإنه إذا ما تم استخدام الجهاز لتطبيقات مختلفة، بملحقات مختلفة أو لم يتم المحافظة عليه، فقد يختلف انبعاث الذبذبات. قد يزيد ذلك بصورة كبيرة من مستوى التعرض للذبذبات طوال فترة العمل الإجمالية.

يجب الوضع في الاعتبار عند تقدير مستوى التعرض للذبذبات مرات إيقاف الجهاز أو تشغيله لكن دون استخدامه في القيام بمهمة. فقد يقلل ذلك بصورة كبيرة من مستوى التعرض للذبذبات طوال فترة العمل الإجمالية.

تعرف على معايير السلامة الإضافية لحماية المشغل من آثار الذبذبات مثل: صيانة الجهاز والملحقات، الحفاظ على دفاء الأيدي، وتنظيم نماذج العمل.

**تحذير!**

اقرأ جميع تحذيرات السلامة وجميع التعليمات، بما فيها الموجودة بالكتيب المرفق. قد يؤدي الفشل في مراعاة التحذيرات والتعليمات إلى التعرض للإصابة بصدمة كهربية أو الحرق وإو إصابة خطيرة.

احتفظ بجميع التنبيهات والتعليمات للرجوع إليها مستقبلاً.

**تعليمات السلامة**

ارتد وأقيات الأذن. قد يسبب التعرض للضوضاء فقدان السمع.

يجب الإمساك بالآلة الكهربائية من خلال أسطح القبض المعزولة وذلك عند القيام بعملية ما حيث قد تلامس أداة التثبيت أسلاك مخفية. إن ملامسة أدوات التثبيت للأسلاك الكهربائية، "الموصلة" قد يجعل الأجزاء المعدنية المكشوفة من الآلة الكهربائية، "موصلة للكهرباء" وبالتالي فقد يجعل المشغّل عرضة لصدمة كهربية.

يجب توصيل الأجهزة التي يتم استخدامها في مواقع مختلفة بما في ذلك الأجهزة التي يتم استخدامها في الهواء الطلق بواسطة جهاز التيار المتخلف (FI و RCD) والتي يصل التيار بها 30 مل أمبير أو أقل.

عند إدخال أو إزالة المسامير، يجب تثبيت قطعة العمل جيداً لمنع الدوران.

انزع البطارية قبل التعامل مع الجهاز.

يتم توصيل القابض فقط عندما تكون الآلة مطفأة.

ابق السلك الرئيسي بعيداً عن نطاق عمل الجهاز. ابق دائماً السلك بعيداً عنك أو خلفك.

عند العمل في سقف الحوائط أو الأرضية، توخ الحذر وتجنب الكابلات الكهربائية وأنابيب الغاز أو المياه.

**شروط الاستخدام المحددة**

يُعد مفك المسامير مناسباً لتثبيت مسامير الحوائط الصلبة عند تثبيت ألواح الجص بالألواح الخشبية أو المعدنية.

لا تستخدم هذا المنتج بأي طريقة أخرى غير مصرح بها للاستخدام العادي.

**توصيل الموصلات الرئيسية**

قم بالتوصيل بتيار متردد أحادي الطور وبنظام الجهد الكهربائي المحدد على لوحة الجهد المقتن فقط. يمكن أيضاً التوصيل بالمقاييس غير المؤرضة حيث يتطابق التصميم مع معايير سلامة الفئة الثانية لحماية الأجهزة الكهربائية.

# AEG

# POWERTOOLS

[www.aeg-powertools.eu](http://www.aeg-powertools.eu)

(03.16)  
4931 2897 88



Autogoods "130"

Techtronic Industries GmbH  
Max-Eyth-Straße 10  
71364 Winnenden  
Germany