



PHONES

0 (800) 800 130
(050) 462 0 130
(063) 462 0 130
(067) 462 0 130

130
COM.UA

Internet store of
autogoods



SKYPE

km-130

CAR RECEIVERS — Receivers • Media receivers and stations • Native receivers • CD/DVD changers • FM-modulators/USB adapters • Flash memory • Facia plates and adapters • Antennas • Accessories |
CAR AUDIO — Car audio speakers • Amplifiers • Subwoofers • Processors • Crossovers • Headphones • Accessories | TRIP COMPUTERS — Universal computers • Model computers • Accessories |
GPS NAVIGATORS — Portable GPS • Built-in GPS • GPS modules • GPS trackers • Antennas for GPS navigators • Accessories | VIDEO — DVR • TV sets and monitors • Car TV tuners • Cameras • Videomodules
• Transcoders • Car TV antennas • Accessories | SECURITY SYSTEMS — Car alarms • Bike alarms • Mechanical blockers • Immobilizers • Sensors • Accessories | OPTIC AND LIGHT — Xenon • Bixenon • Lamps
• LED • Stroboscopes • Optic and Headlights • Washers • Light, rain sensors • Accessories | PARKTRONICS AND MIRRORS — Rear parktronic • Front parktronic • Combined parktronic • Rear-view mirrors
• Accessories | HEATING AND COOLING — Seat heaters • Mirrors heaters • Screen-wipers heaters • Engine heaters • Auto-refrigerators • Air conditioning units • Accessories | TUNING — Vibro-isolation
• Noise-isolation • Tint films • Accessories | ACCESSORIES — Radar-detectors • Handsfree, Bluetooth • Windowlifters • Compressors • Beeps, loudspeakers • Measuring instruments • Cleaners • Carsits
• Miscellaneous | MOUNTING — Installation kits • Upholstery • Grilles • Tubes • Cable and wire • Tools • Miscellaneous | POWER — Batteries • Converters • Start-charging equipment • Capacitors
• Accessories | MARINE AUDIO AND ELECTRONICS — Marine receivers • Marine audio speakers • Marine subwoofers • Marine amplifiers • Accessories | CAR CARE PRODUCTS — Additives • Washer fluid •
Care accessories • Car polish • Flavors • Adhesives and sealants | LIQUID AND OIL — Motor oil • Transmission oil • Brake fluid • Antifreeze • Technical lubricant



In store "130" you can find and buy almost all necessary goods for your auto in Kyiv and other cities, delivery by ground and postal services. Our experienced consultants will provide you with exhaustive information and help you to chose the very particular thing. We are waiting for you at the address

<https://130.com.ua>

AEG

POWERTOOLS

PS 216 L

PS 254 L

Original instructions

Originalbetriebsanleitung

Notice originale

Istruzioni originali

Manual original

Oorspronkelijke gebruiksaanwijzing

Original brugsanvisning

Original bruksanvisning

Bruksanvisning i original

Alkuperäiset ohjeet

Πρωτότυπο οδηγιών χρήσης

Orijinal işletme talimatı

Původním návodem k používání

Pôvodný návod na použitie

Instrukcja oryginalna

Eredeti használati utasítás

Izvirna navodila

Originalne pogonske upute

Instrukcijām oriģinālvalodā

Originali instrukcija

Algupärane kasutusjuhend

Оригинальное руководство по эксплуатации

Оригинално ръководство за експлоатация

Instrucțiuni de folosire originale

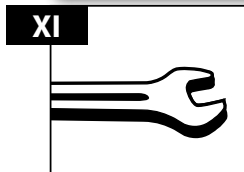
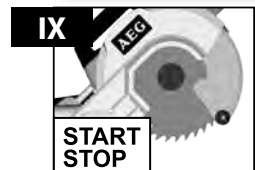
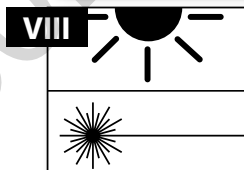
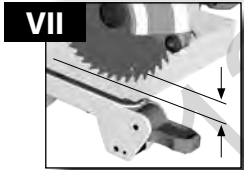
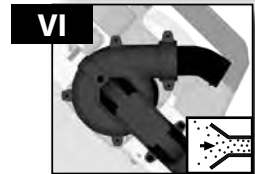
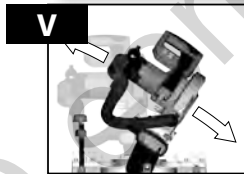
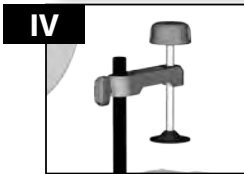
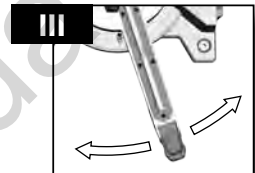
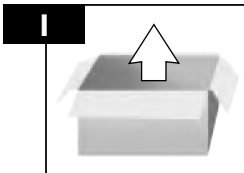
Оригинален прирачник за работа

原始的指南

Technical Data, Safety Instructions, Specified Conditions of Use, EC-Declaration of Conformity, Mains connection, Maintenance, Symbols	Please read and save these instructions!	English	20
Technische Daten, Sicherheitshinweise, Bestimmungsgemäße Verwendung, CE-Konformitätserklärung, Netzanschluss, Wartung, Symbole	Bitte lesen und aufbewahren!	Deutsch	
Caractéristiques techniques, Instructions de sécurité, Utilisation conforme aux prescriptions, Déclaration CE de Conformité, Branchement secteur, Entretien, Symboles	A lire et à conserver soigneusement	Français	
Dati tecnici, Norme di sicurezza, Utilizzo conforme, Dichiarazione di Conformità CE, Collegamento alla rete, Manutenzione, Simboli	Si prega di leggere e conservare le istruzioni!	Italiano	
Datos técnicos, Instrucciones de seguridad, Aplicación de acuerdo a la finalidad, Declaración de Conformidad CE, Conexión eléctrica, Mantenimiento, Símbolos	Lea y conserve estas instrucciones por favor!	Español	
Características técnicas, Instruções de segurança, Utilização autorizada, Declaração de Conformidade CE, Ligação à rede, Manutenção, Símbolo	Por favor leia e conserve em seu poder!	Português	
Technische gegevens, Veiligheidsadviezen, Voorgeschreven gebruik van het systeem, EC-Konformiteitsverklaring, Netaansluiting, Onderhoud, Symbolen	Lees en let goed op deze adviezen!	Nederlands	
Tekniske data, Sikkerhedshenvisninger, Tiltænk formål, CE-Konformitetserklæring, Nættilslutning, Vedligeholdelse, Symboler	Vær venlig at læse og Opbevare!	Dansk	
Tekniske data, Spesielle sikkerhetshenvisninger, Formålsmessig bruk, CE-Samsvarserklæring, Netttilkopling, Vedlikehold, Symboler	Vennligst les og oppbevar!	Norsk	
Tekniska data, Säkerhetsutrustning, Använd maskinen Enligt anvisningarna, CEFörsäkran, Nätanslutning, Skötsel, Symboler	Läs igenom och spara!	Svenska	
Tekniset arvot, Turvallisuusohejeet, Tarkoituksenmukainen käyttö, Todistus CE-standardinmukaisuudesta, Verkkoiläntä, Huolto, Symbolit	Lue ja säilytä!	Suomi	
Τεχνικά στοιχεία, Ειδικές υποδείξεις ασφάλειας, Χρήση σύμφωνα με το σκοπό προοριζομένου, Δήλωση πιστότητας ΕΚ, Μπαταρίες, Χαρακτηριστικά, Συντήρηση, Σύμβολα.	Παρακαλώ διαβάστε τις και φυλάξτε τις!	Ελληνικά	
Teknik veriler, Güvenliğinizi için talimatlar, Kullanım, CE uygunluk beyanince, Şebeke bağlantısı, Bakım, Semboller	Lütfen okuyun ve saklayın	Türkçe	
Technická data, Speciální bezpečnostní upozornění, Oblast využití, Ce-prohlášení o shodě, Připojení na síť, Údržba, Symboly	Po přečtení uschovejte	Česky	
Technické údaje, Speciálne bezpečnostné pokyny, Použitie podľa predpisov, CE-Vyhlasenie konformity, Sieťová prípojka, Údržba, Symboly	Prosím prečítať a uschovať!	Slovensky	
Dane techniczne, Specjalne zalecenia dotyczace bezpieczenstwa, Uzytkowanie zgodnie z przeznaczeniem, Swiadectwo zgodnosci ce, Podlaczenie do sieci, Gwarancja, Symboly	Należy uważnie przeczytać i zachować do wglądu!	Polski	
Műszaki adatok, Különleges biztonsági tudnivalók, Rendeltetés szerű használat, Ce-azonossági nyilatkozatok, Hálózati csatlakoztatás, Karbantartás, Szimbólumok	Olvassa el és őrizze meg	Magyar	
Tehnični podatki, Specialni varnostni napotki, Uporaba v skladu z namembnostjo, Ce-izjava o konformnosti, Omežni priključek, Vzdrževanje, Simboli	Prosimo preberite in shranite!	Slovensko	
Tehnički podaci, Specijalne sigurnosne upute, Propisna upotreba, CE-izjava konformnosti, Priključak na mrežu, Održavanje, Simboli	Molimo pročitati i sačuvati	Hrvatski	
Tehniske dati, Speciālie drošības noteikumi, Noteikumiem atbilstošs izmantojums, Atbilstība CE normām, Tīkla pieslēgums, Apkope, Simboli	Pielikums lietošanas pamācībai	Latviski	
Techniniai duomenys, Ypatings saugumo nuorodos, Naudojimas pagal paskirti, CE Atitikties pareiškimas, Elektros tinklo jungtis, Techninis aptarnavimas, Simboliai	Prašome perskaityti ir neišmesti!	Lietuviškai	
Tehnilised andmed, Spetsiaalsed turvajuhised, Kasutamine vastavalt otstarbele, EU Vastavusavaldus, Võrku ühendamine, Hooldus, Sümbolid	Palun lugege läbi ja hoidke alati!	Eesti	
Технические данные, Рекомендации по технике безопасности, Использование - вание, Подключение к электросети, Обслуживание, Символы	Пожалуйста прочтите и сохраните эту инструкцию.	Русский	
Технически данни, Специални указания за безопасност, Използване по предназначение, CE-Декларация за съответствие, Свързване към мрежата, Поддръжка, Символи	Моля прочетете и запазете!	Български	
Date tehnice, Instrucțiuni de securitate, Condiții de utilizare specificate, Declarație de conformitate, Accumulatori, Intreținere, Simboluri	Va rugăm citiți și păstrați aceste instrucțiuni	Română	
Технички Податоци, Упатство За Употреба, Спецификациони Услови На Употреба, Еу-декларација За Сообразност, БАТЕРИИ, Одржување, Символи	Ве молиме прочитајте го и чувајте го ова упатство!	Македонски	
技术数据, 特殊安全指示, 正确地使用机器, 电源插头, 蓄电池, 维修, 符号	请仔细阅读并妥善保存!	中文	

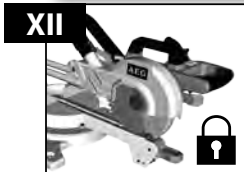



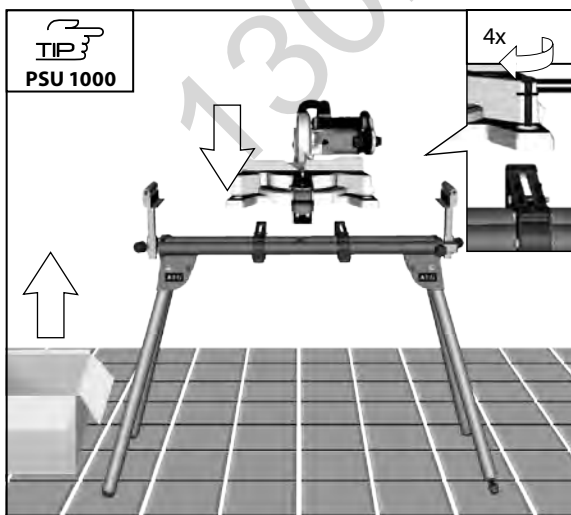
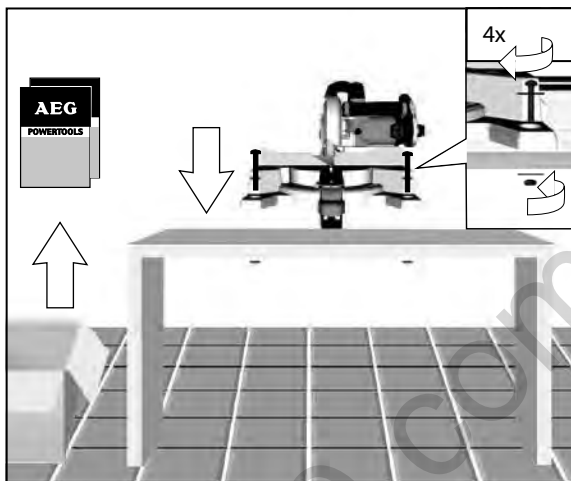
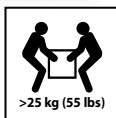
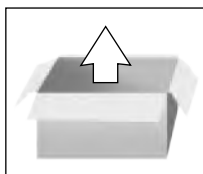




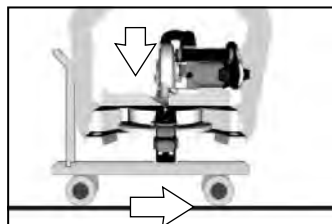
XII

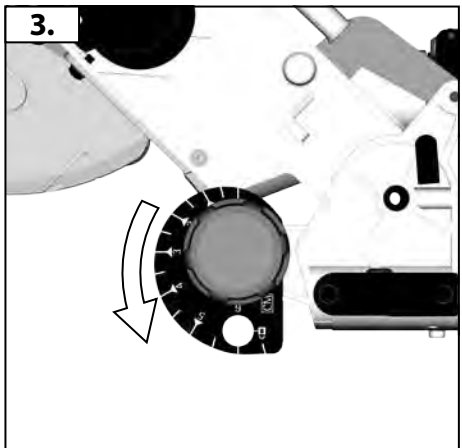
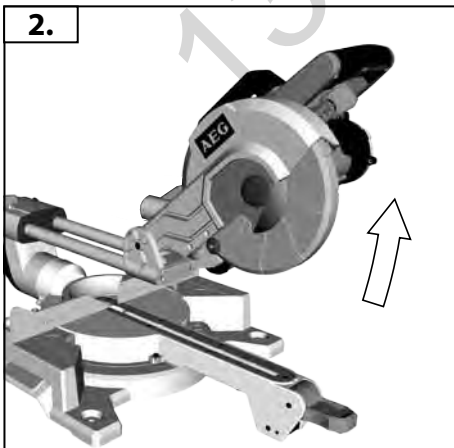
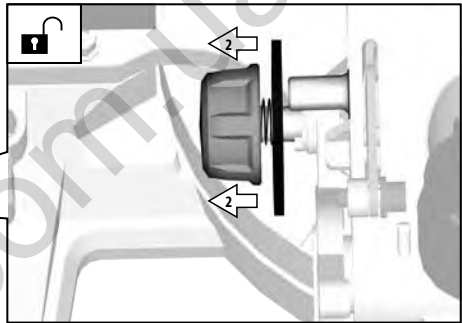
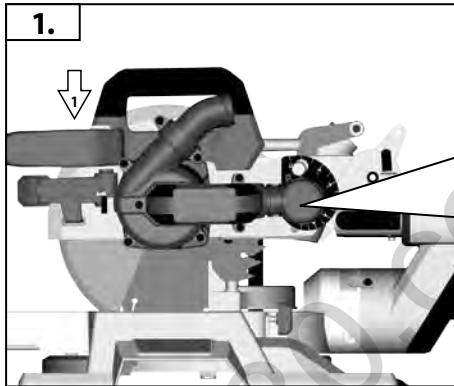
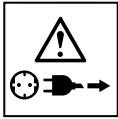
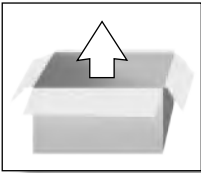
	Accessory Zubehör Accessoires Accessorio
	Accessorio • Acessório Toebehoren • Tilbehør Tilbehør • Tillbehør Lisälaite • Εξαρτήματα Akseuar • Pripisluštenstv Prisluštenstv • Wyposażenie Azokat a tartozékokat Oprema • Piederumi Priedas • Tarnvikud Дополнитель*Аксесоари Accesorii • ополнителна опрема • 配件

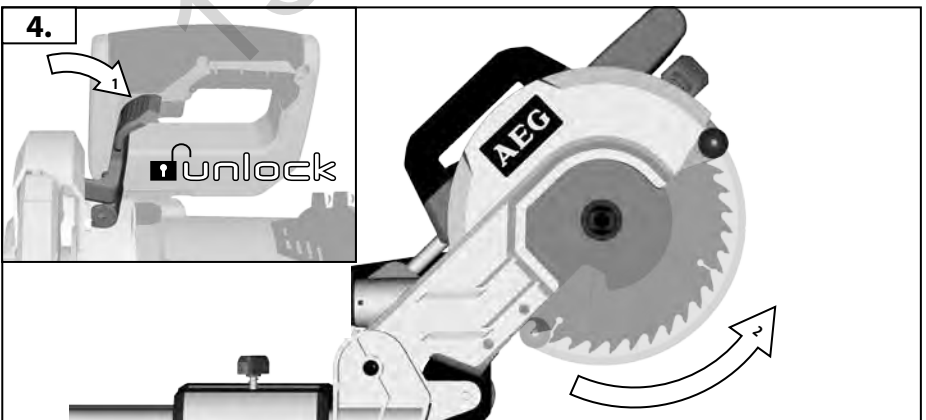
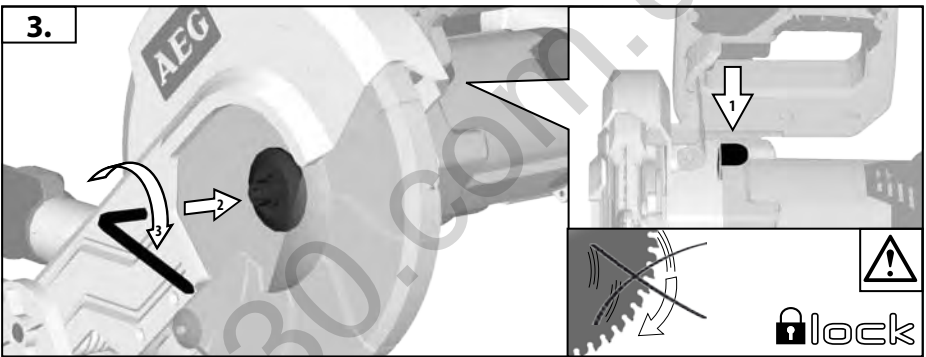
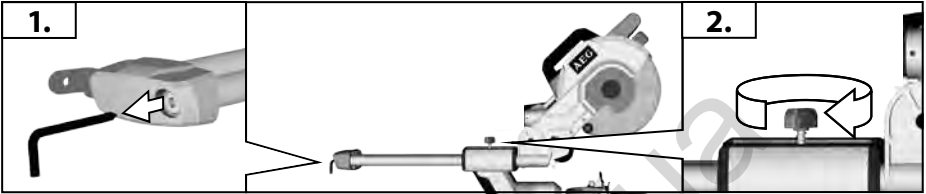
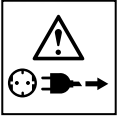




Not included in standard equipment.
Im Lieferumfang nicht enthalten.
Ces piéces ne font pas partie de la livraison.
on incluso nella dotazione standard.
No incluido en el equipo estándar.
Nào incluso no equipamento normal.
Wordt niet meegeleverd.
Ikke inkluderet i leveringsomfanget.
Inngår ikke i leveransen.
Ingår ej i leveransomfånget.
Ei sisälly vakiovarustukseen.
Δεν συμπεριλαμβάνεται
Teslimat kapsamında değildir.
V dodávce neobsaženo.
Neobsahuje štandardná výbava.
Nie stanowi wyposażenia standardowego
Nem tartozéka a készüléknek.
Ni v obsegu dobave.
U opsegu isporuke nije sadržano.
Komplektācijā nav ietverts.
Nejeina j komplektācijā.
Ei kuulu tarne komplekti.
He входит в объем поставки
He e включено в обема на доставката.
Nu este inclus în echipamentul standard
He e включено во стандартна опрема
不包含在供货范围中。









5.

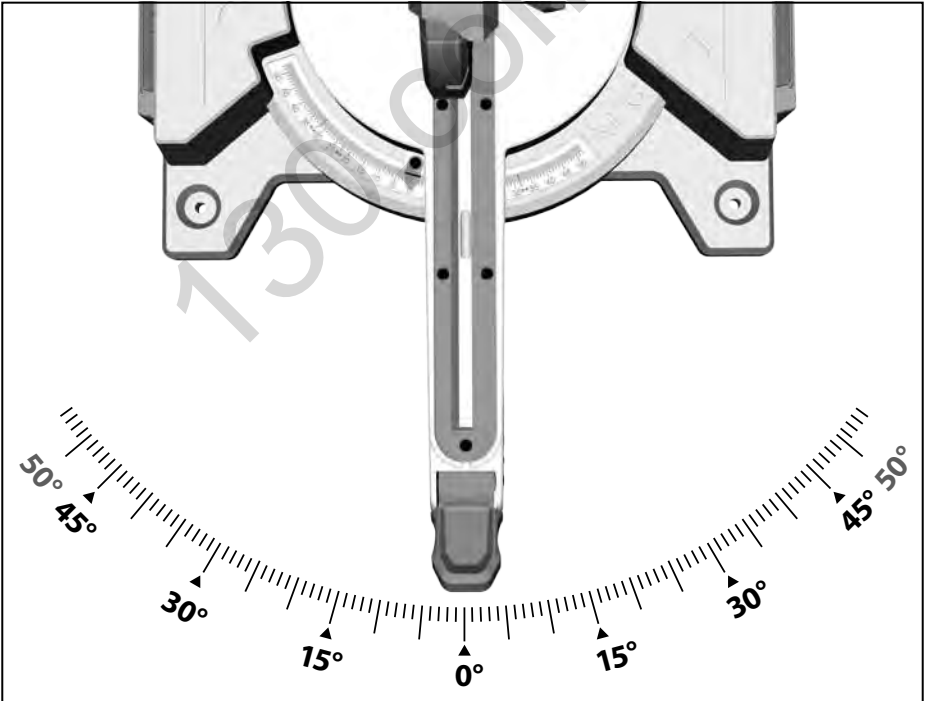
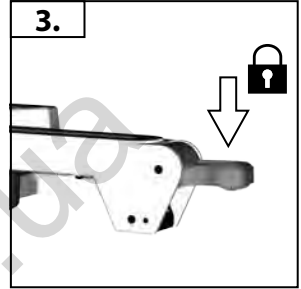
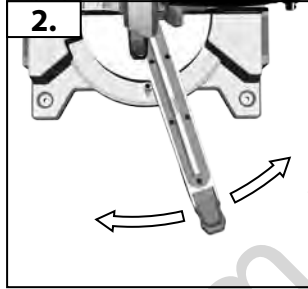
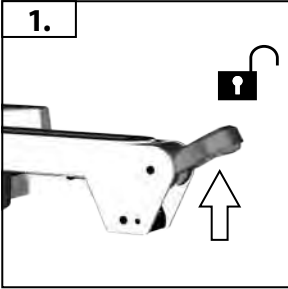
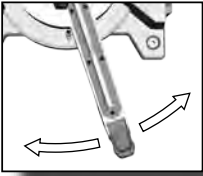
EN 847-1

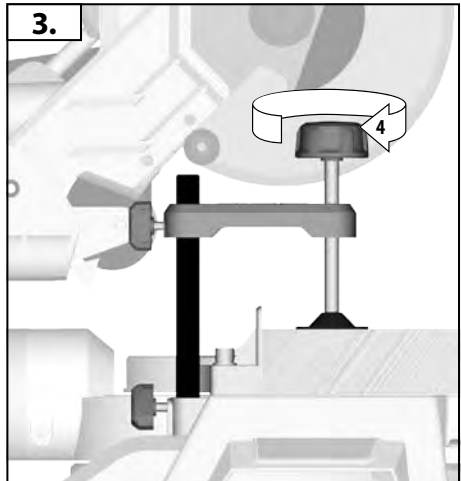
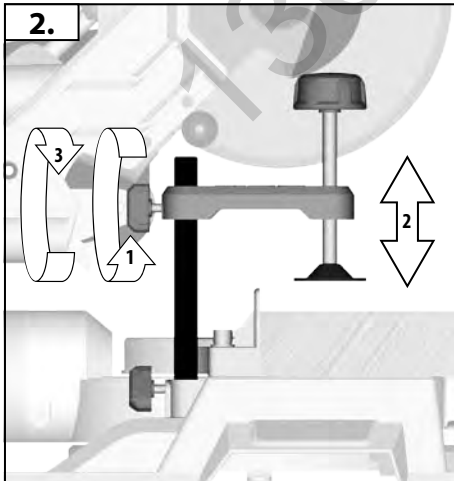
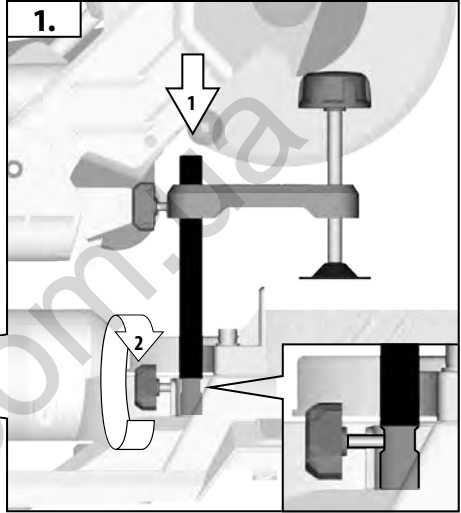
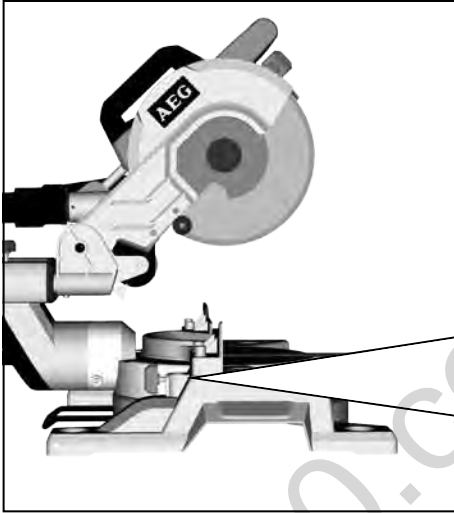
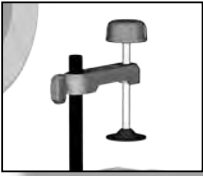
TIP

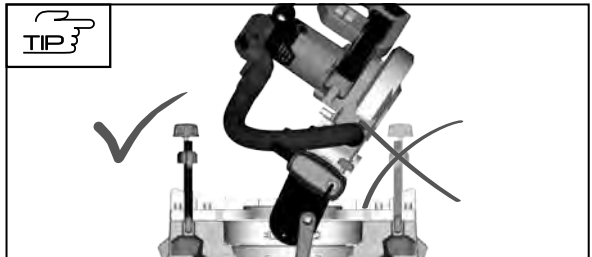
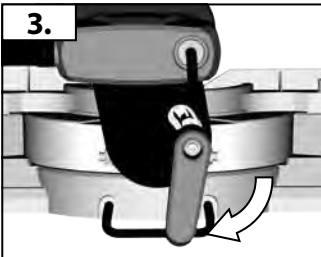
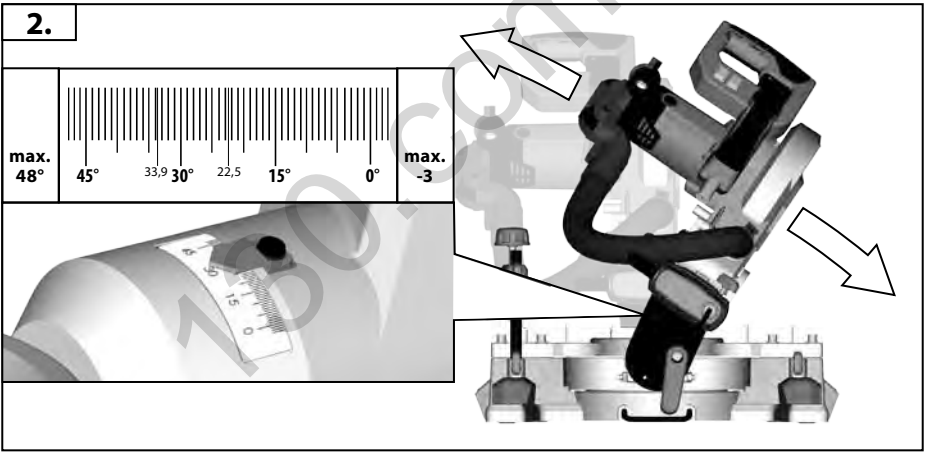
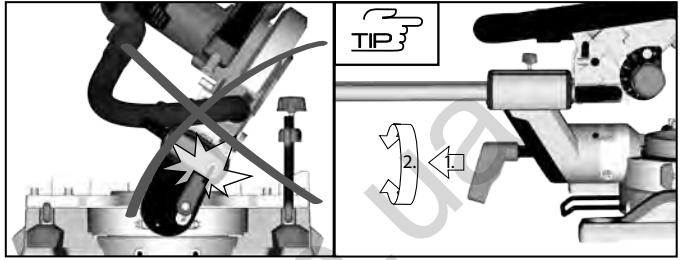
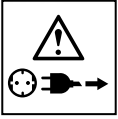
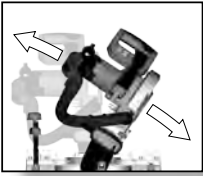
6.

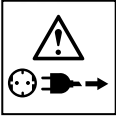
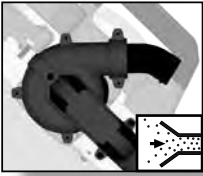
lock

7.

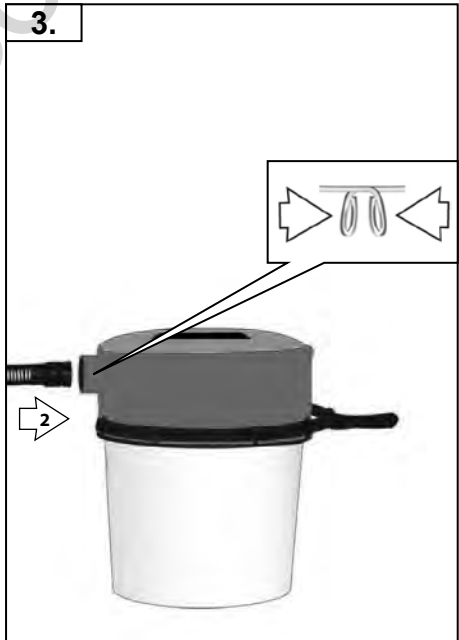
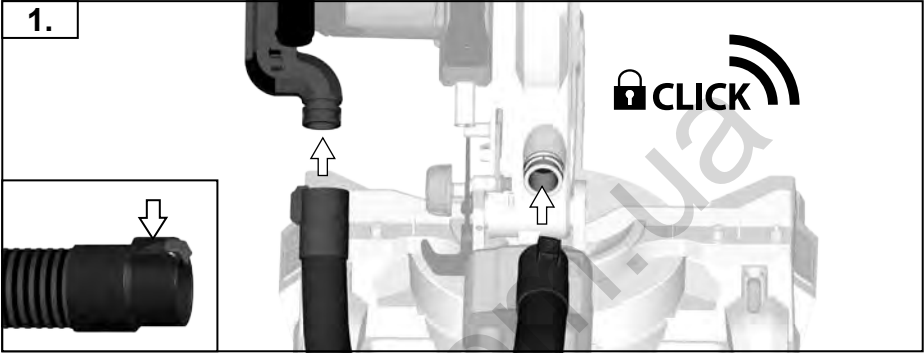


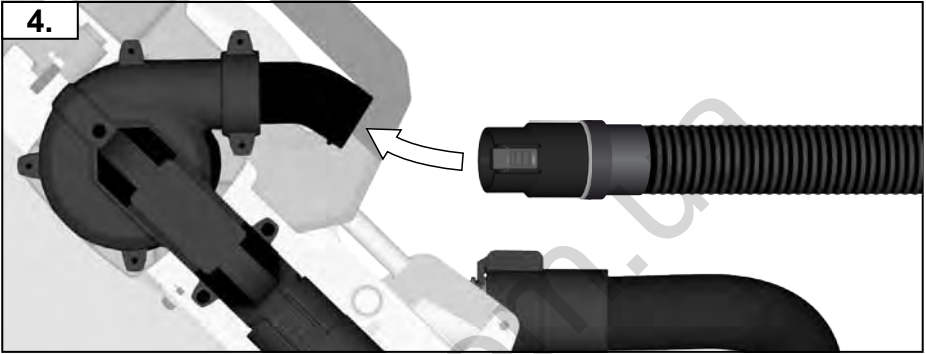
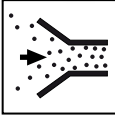






VI





TIP

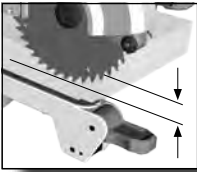
Ø 32

No. 4931 4406 77

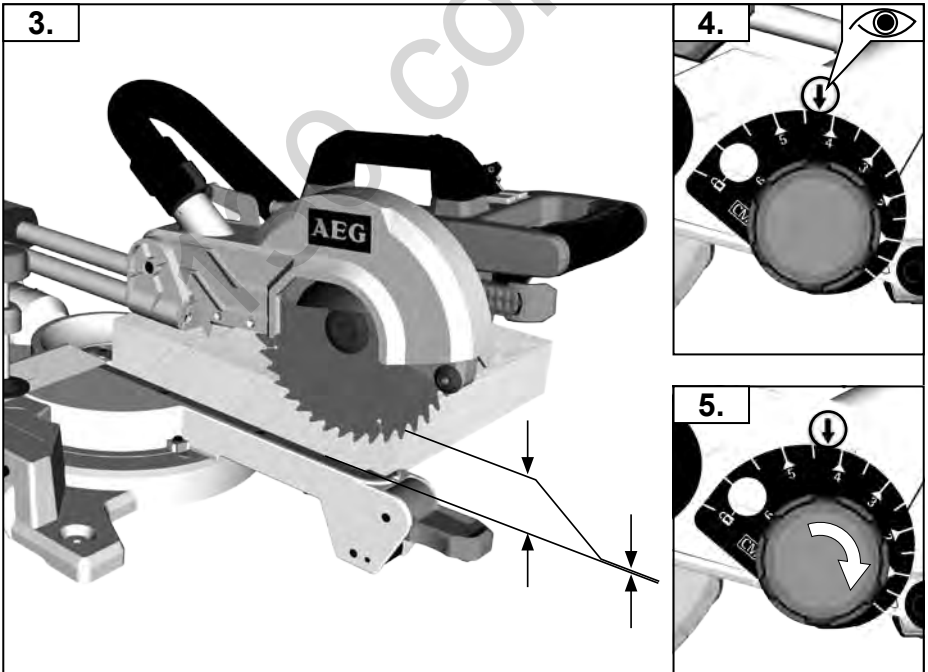
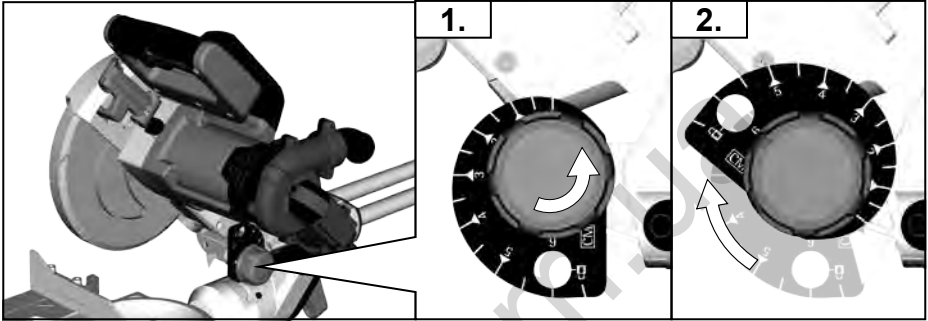
No. 4931 4164 63

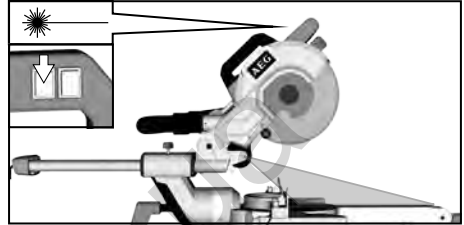
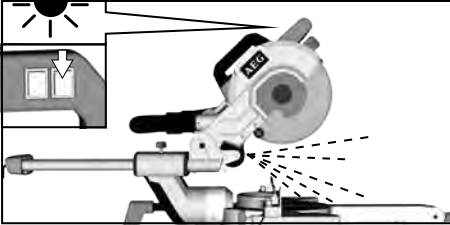
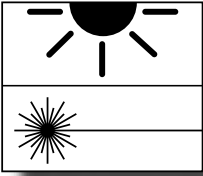
Ø 36

No. 4931 4406 78



VII





We have supplied you with an adhesive label in your language and now request that you please apply this in place of the English text on the specification plate before first commissioning the machine.

Überkleben Sie den englischen Text auf dem Leistungsschild vor der ersten Inbetriebnahme mit dem mitgelieferten Aufkleber in Ihrer Landessprache.

Avant la première mise en service, collez l'autocollant livré dans votre langue nationale sur le texte anglais de la plaquette signalétique.

Prima della prima messa in esercizio, coprire il testo inglese della targhetta di fabbrica con l'etichetta fornita a corredo nella Sua lingua nazionale.

Tape the text in English on the placard indicator of power before the machine is put into operation with the label supplied in the language of your country.

Por favor, cole o autocolante na sua lingua nacional juntado sobre o texto em inglês na placa das características do equipamento antes da primeira colocação em serviço.

Plak de Engelse tekst op het vermogensplaatje vóór de eerste inbedrijfstelling af met de bijgeleverde sticker in uw taal.

Inden idriftsættelse første gang skal den medfølgende mærkat med dansk tekst klæbes oven på den engelske tekst på mærkepladen.

Før første ibrugtaging skal det klistres over prestasjonsetiketten med opplysninger på engelsk språk. Til dette er det vedlagt et klebemerke med opplysninger på deres språk.

Före första idrifttagning: Klistra över den engelska texten på märkskytlen med medföljande etikett på det aktuella landets språk.

Liimaa ennen ensimmäistä käyttöönottoa mukana toimitettu maasi kielinen tarra laitteen tyyppikilven englanninkielisen tekstin päälle.

Πριν την πρώτη θέση σε λειτουργία κολλήστε την συμπαροδιδόμενη αυτοκόλλητη ετικέτα στούσιων με κείμενο στη μητρική σας γλώσσα πάνω στο αγγλικό κείμενο.

Ilk defa çalıştırılmaya başlanmadan önce birlikte gönderilen yapıştırıcı ile kendi ülke lisanınızda İngilizce metni verim tabelasının üzerine yapıştırınız. Před prvním zprovozněním přelepte anglický text na výkonovém štítku samolepkou s českým textem, která je součástí dodávky.

Pred prvým uvedením do prevádzky prelepte anglický text na výkonovom štítku samolepkou so slovenským textom, ktorá je súčasťou dodávky.

Przed pierwszym uruchomieniem należy nakleić na angielski tekst tabliczkę mocy załączoną naklejkę w języku Pańskiego kraju.

Ragassza az első üzembehelyezés előtt az anyanyelvén mellékelt matricát a teljesítménytáblán lévő angol nyelvű szövegre.

Pred prvým zagonom prelepte angleško besedilo na podatkovni tablici z dobavljeno nalepko v jeziku vaše države.

Obljipite engleski tekst na pločici snage prije prvotnog puštanja u rad sa suisoručenom naljepnicom na Vašem jeziku.

Pirms pirmās pieņemšanas ekspluatācijā angļu valodas teksts firmas lēdīti ir jāaizīmē ar piegādāto uzlīmē Jūsu dzimtā valodā.

Prieš pradėdami eksploatuoti, užklijuokite pridėtą lipduką valstybine kalba ant teksto angli kalba duomenų lentelėje.

Enne ekspluatsiooni võtmist tuleb ingliskeelse tekstile firmalaua peale liimida vastav kleebis Teie emakeeles.

Перед первым вводом в эксплуатацию заклейте английский текст на фирменной табличке прилагаемой наклейкой на вашем языке.

Преди първото пускане в експлоатация залепете приложената лепенка на Вашия език върху английския текст на табелката с технически характеристики.

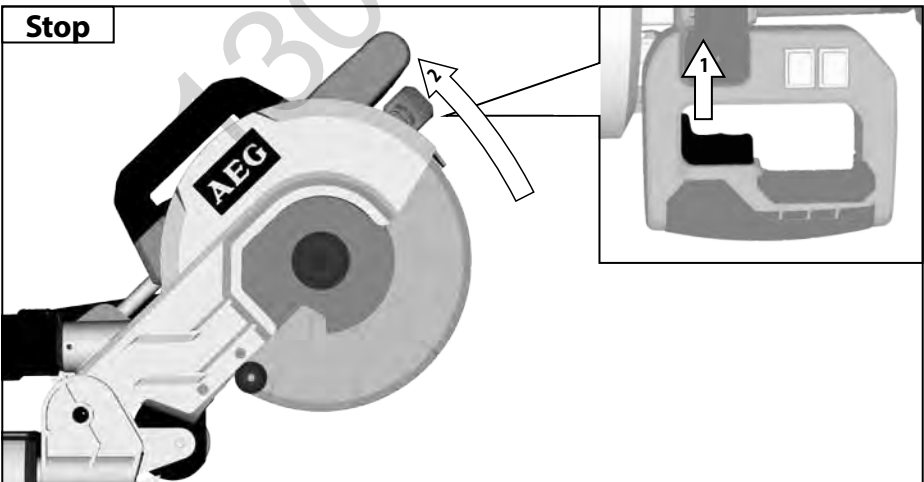
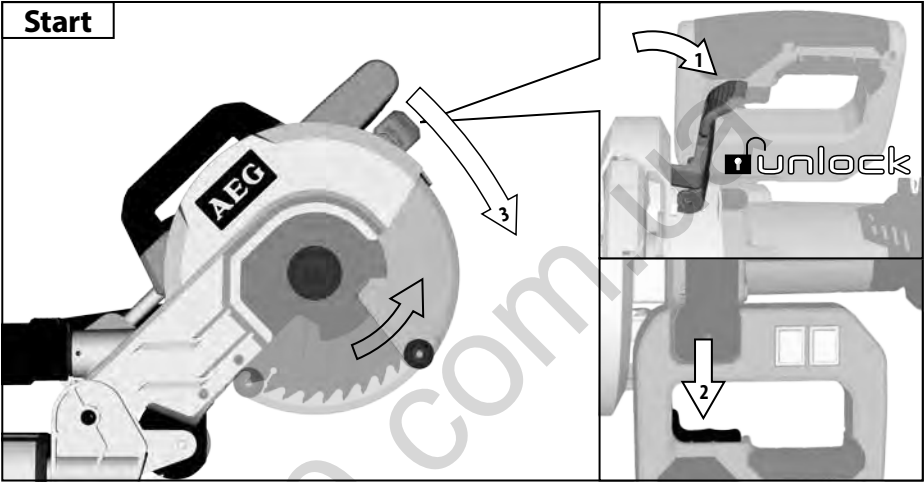
Lipitji eticheta livrată în limba țării dvs., înainte de prima punere în funcțiune, peste textul în engleză de pe tablăta indicatoare a caracteristicilor mașinii.

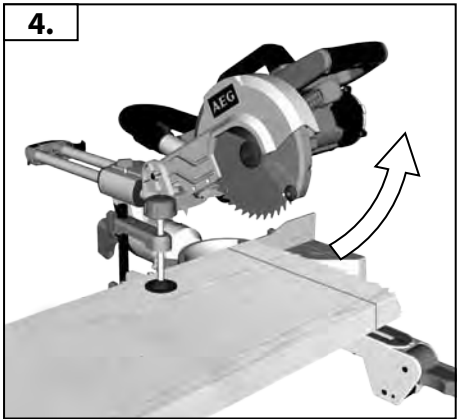
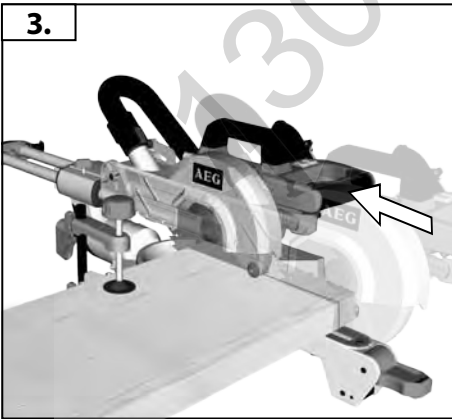
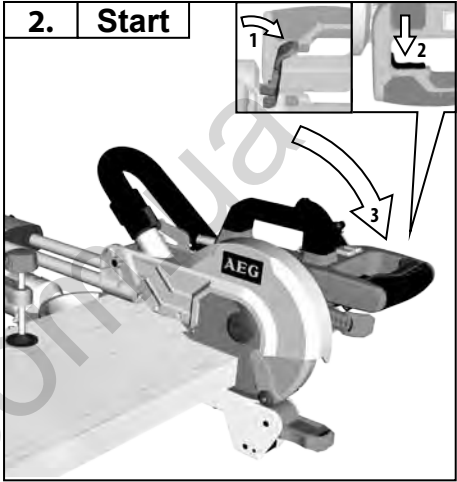
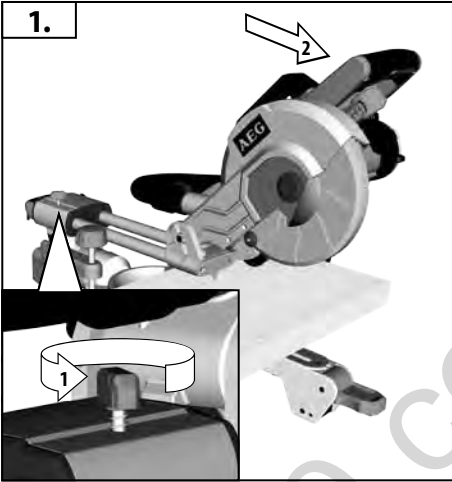
Пред првото пуштање во употреба поставете ја доставената лепенка на јазикот на вашата земја врз текстот на англиски јазик што се наоѓа на плочката со карактеристики.

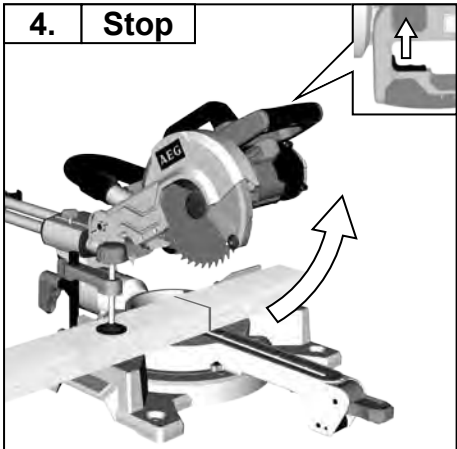
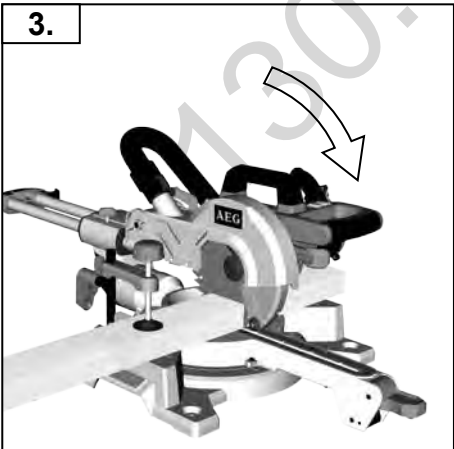
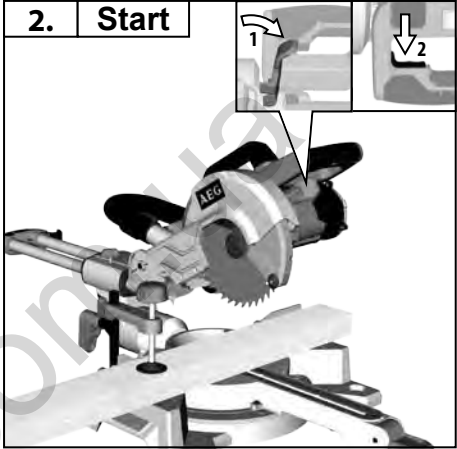
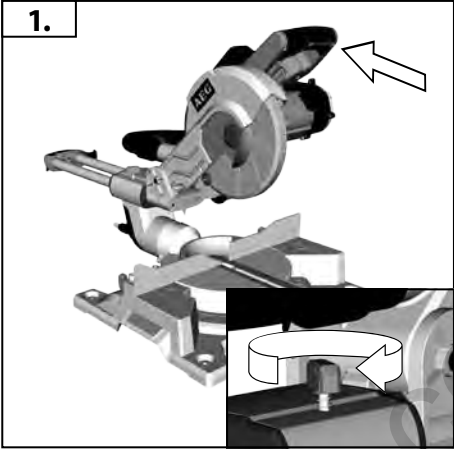
最初操作前请将附送的贵国语言贴纸贴到英文铭牌上。

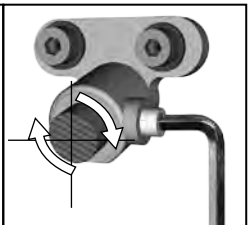
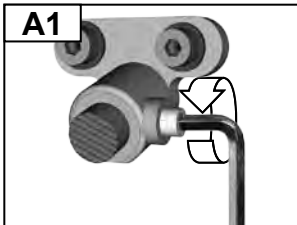
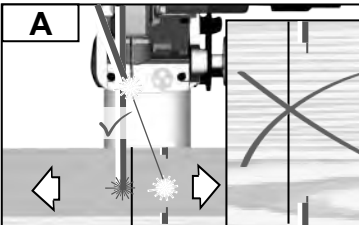
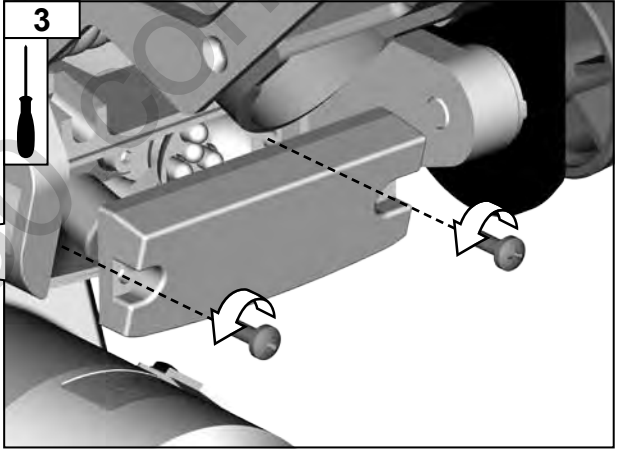
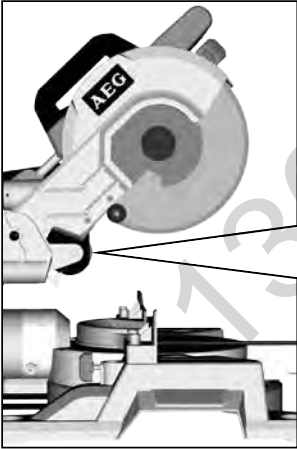
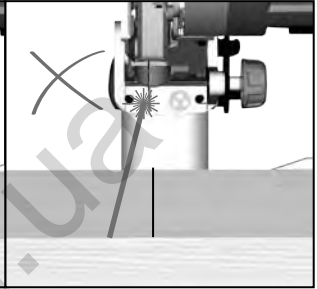
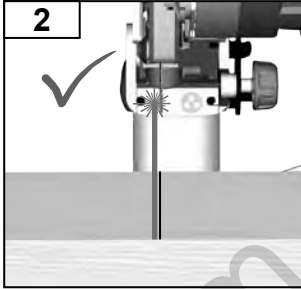
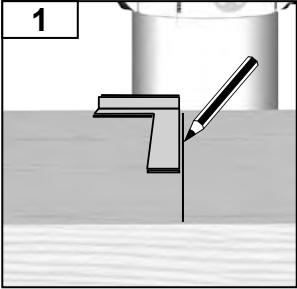
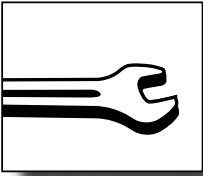


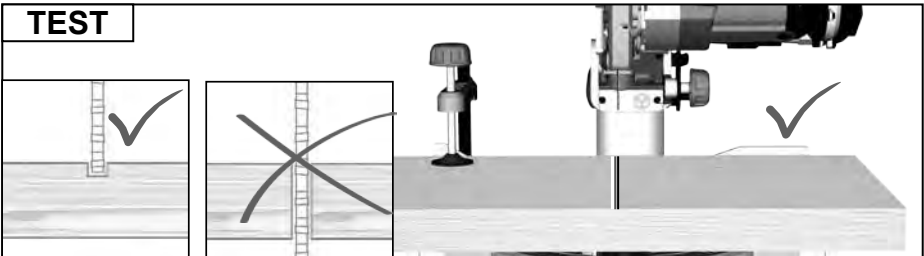
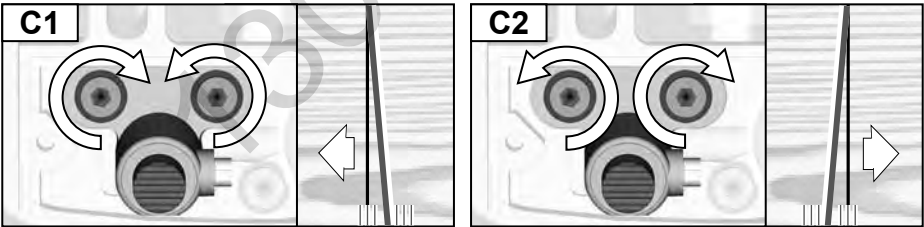
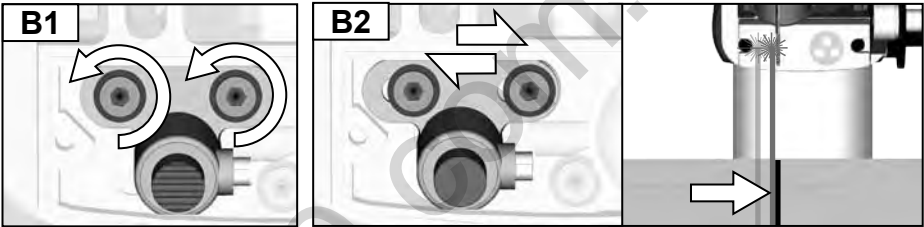
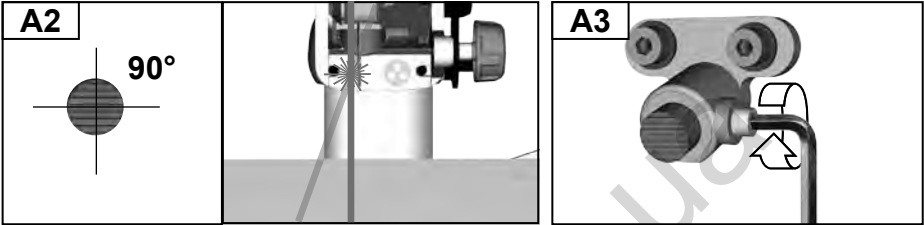
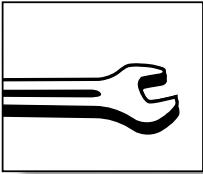
START
STOP
X

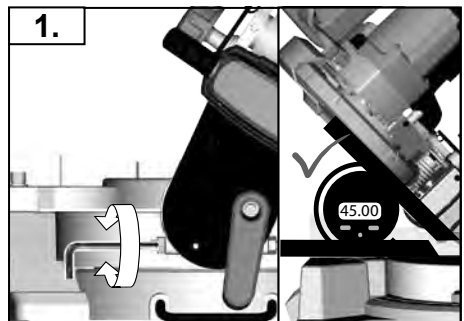
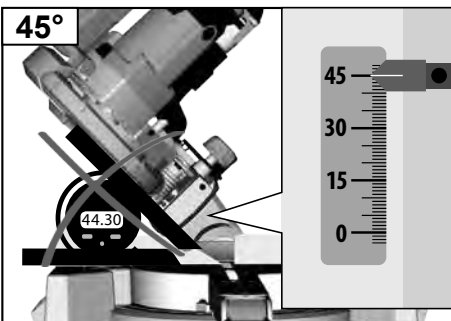
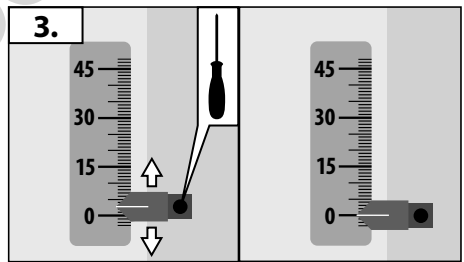
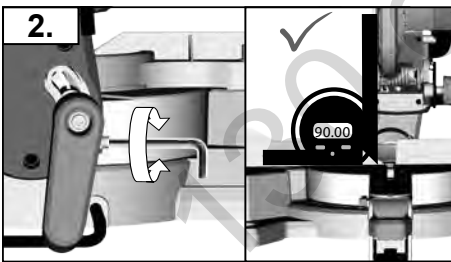
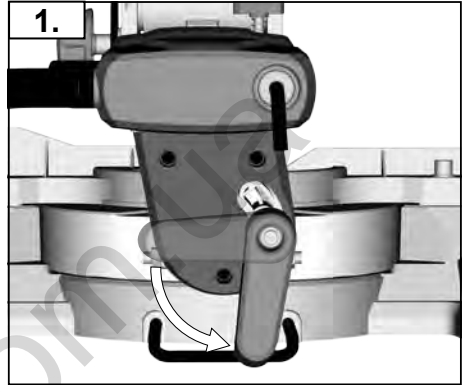
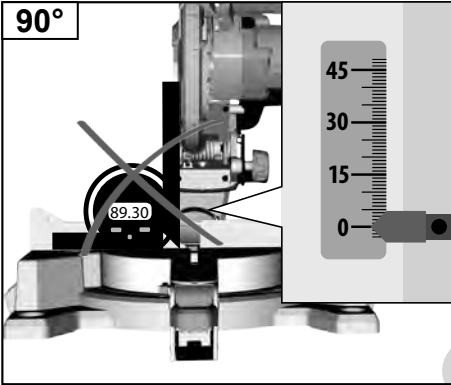
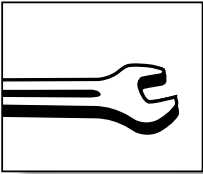


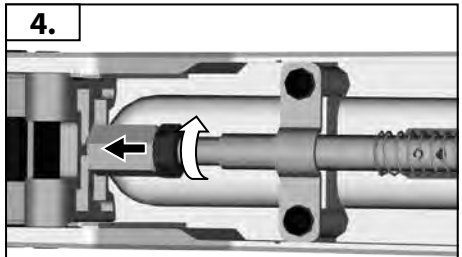
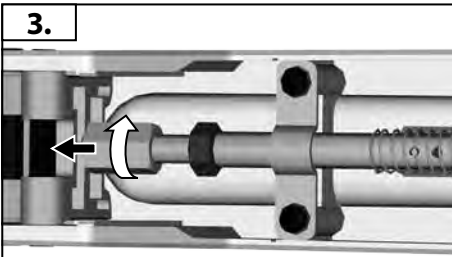
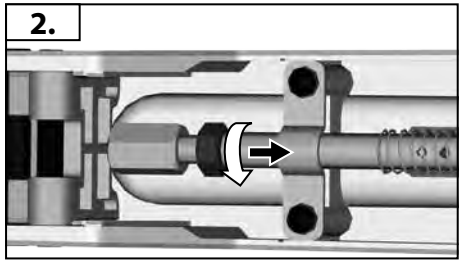
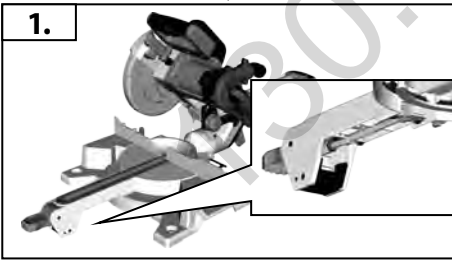
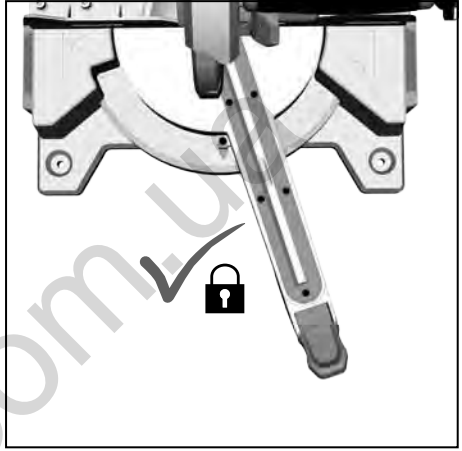
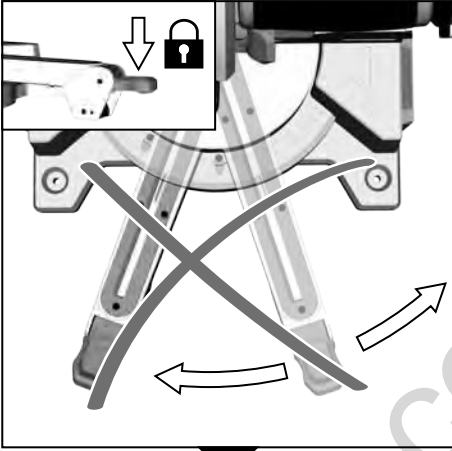
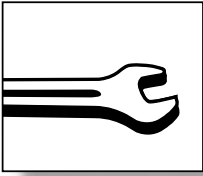


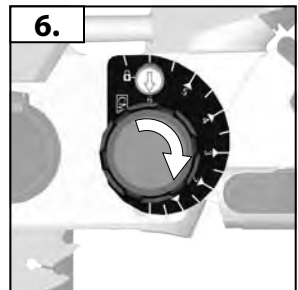
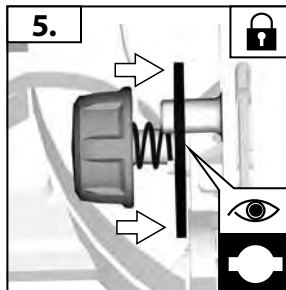
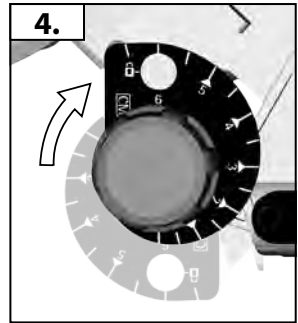
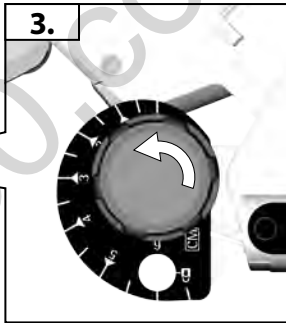
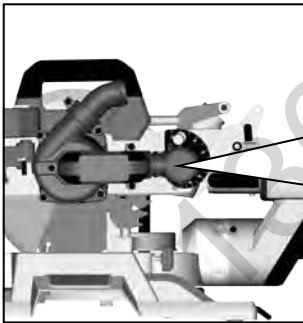
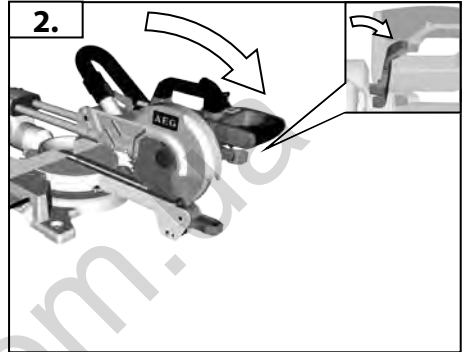
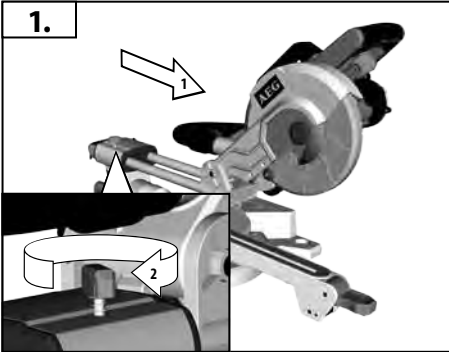














TECHNICAL DATA Mitsesaw*	PS 216 L	PS 254 L
Production code	4406 51 01... 4406 61 01... ... 000001-999999	4406 71 01... 4406 81 01... ... 000001-999999
Rated input	220-240 V, 50 Hz, S6(40%), 1500 W, 6,5 A	220-240 V, 50 Hz, S6(40%), 2000 W, 8,3 A
No-load speed	5000 min ⁻¹	4500 min ⁻¹
Saw blade dia. x hole dia	216 x 30 mm	254 x 30 mm
Saw blade thickness	1,6 mm	1,8 mm
Max. cutting capacity Mitre 0°/ Bevel 0° Mitre 45°/ Bevel 0° Mitre 0°/ Bevel 45° Mitre 45°/ Bevel 45°	65 x 305 mm 65 x 215 mm 36 x 305 mm 36 x 215 mm	90 x 305 mm 90 x 215 mm 50 x 305 mm 50 x 215 mm
Min. workpiece dimensions	130 x 35 x 2,5 mm	130 x 35 x 2,5 mm
Weight according EPTA-Procedure 01/2003	16,5 kg	19,5 kg
Noise/Vibration Information Measured values determined according to EN 61029. Typically, the A-weighted noise levels of the tool are: Sound pressure level (K=3dB(A)) Sound power level (K=3dB(A)) Wear ear protectors!	99,2 dB (A) 112,2 dB (A)	97,3 dB (A) 110,3 dB (A)
Total vibration values (vector sum in the three axes) determined according to EN 61029. Vibration emission value a _n Sawing of wood Uncertainty K=	3,5 m/s ² 1,5 m/s ²	2,4 m/s ² 1,5 m/s ²

*PS ≙ Mitsesaw

WARNING

The vibration emission level given in this information sheet has been measured in accordance with a standardised test given in EN 61029 and may be used to compare one tool with another. It may be used for a preliminary assessment of exposure.

The declared vibration emission level represents the main applications of the tool. However if the tool is used for different applications, with different accessories or poorly maintained, the vibration emission may differ. This may significantly increase the exposure level over the total working period.

An estimation of the level of exposure to vibration should also take into account the times when the tool is switched off or when it is running but not actually doing the job. This may significantly reduce the exposure level over the total working period.

Identify additional safety measures to protect the operator from the effects of vibration such as: maintain the tool and the accessories, keep the hands warm, organisation of work patterns.



WARNING!

Read all safety warnings and all instructions. Failure to follow the warnings and instructions may result in electric shock, fire and/ or serious injury.

Save all warnings and instructions for future reference.

SAFETY INSTRUCTIONS

Wear ear protectors. Exposure to noise can cause hearing loss.

Always wear goggles when using the machine. It is recommended to wear gloves, sturdy non slipping shoes and apron.

The dust produced when using this tool may be harmful to health.

Do not inhale the dust. Use a dust absorption system and wear a suitable dust protection mask. Remove deposited dust thoroughly, e.g. with a vacuum cleaner.

Appliances used at many different locations including open air should be connected via a residual current device (FI, RCD, PRCD) of 30mA or less.

Before doing any work on the machine, pull the plug out of the socket.

Only plug-in when machine is switched off.

Keep mains lead clear from working range of the machine. Always lead the cable away behind you.

Before use check machine, cable, and plug for any damages or material fatigue. Repairs should only be carried out by authorised Service Agents.

The handle lock must always be engaged when transporting the mitre saw.

Ensure that the machine is always stable and secure (e.g. fixed to a bench)

Keep the floor area free of loose material e.g. chips and cut-offs.

Before using the tool please read the instructions. If possible have the tool demonstrated.

Always use the protective shields on the machine.

Only use the saw with guards in good working order and properly maintained, and in position.

Do not clamp the protective swing guard.

Refrain from removing any cut-offs or other parts of the workpiece from the cutting area whilst the machine is running and the saw head is not in the rest position.

Never reach into the danger area of the machine when it is running.

Any faults with the machine, including any related to the safeguard or the saw blades, must be reported to the persons in charge of safety as soon as the faults are discovered.

Do not use any flanges other than those supplied or indicated in the instruction manual to secure the saw blade.

Replace the table insert when worn

Do not use saw blades which are damaged or deformed

Do not use saw blades not corresponding to the key data given in these instructions for use.

Do not use saw blades made of high-speed steel.

Only use saw blades which have been properly sharpened. It is essential to adhere to the maximum speed specified on the saw blade.

Transport and store the tools in a suitable receptacle.

It is necessary to select a saw blade which is suitable for the material being cut.

Never use the mitre saw to cut materials other than those specified in the instruction manual.

Long workpieces must be adequately supported.

Stock having a round or irregular cross section (such as firewood) must not be cut, as it can not be securely held during cutting. When sawing thin stock layed on edge, a suitable auxiliary fence must be used for firm support.

Do not stare into beam. Do not point laser light at other persons.

Do not view directly into beam with optical instruments (binocular, telescope).

Do not point laser at reflective surfaces, Avoid exposure to laser radiation. Laser may emit hazardous radiation.

Do not replace the installed laser with a different type.

Any repairs must only be carried out by the authorized service agent.

Do not use this tool 's dust extraction as a vacuum cleaner to pick up anything, such as hardness work pieces or nails etc. it will cause the fan damage.

SPECIFIED CONDITIONS OF USE

The mitre saw can be used for sawing solid wood, bonded wood, glued veneer, materials similar to wood, aluminium profiles, Non-ferrous metals and plastics.

Do not use this product in any other way as stated for normal use.

RESIDUAL RISK

Even when the product is used as prescribed, it is still impossible to completely eliminate certain residual risk factors. The following hazards may arise in use and the operator should pay special attention to avoid the following:

- Impairment of hearing, restrict exposure and wear appropriate hearing protection.
- Measures that can be taken by operator to possibly reduce the effects of vibration and limit the amount of exposure.
- Health hazards caused by breathing dust developed when sawing wood, wear a mask if necessary.

EC-DECLARATION OF CONFORMITY

We declare under our sole responsibility that the product described under "Technical Data" fulfills all the relevant regulations and the directives 2011/65/EU (RoHS), 2004/108/EC, 2006/42/EC and the following harmonized standards have been used:

EN 61029-1:2009 + A11:2010

EN 61029-2-9:2009

EN 55014-1:2006+A1:2009+A2:2011

EN 55014-2:1997 + A1:2001 + A2:2008

EN 61000-3-2:2006+A1:2009+A2:2009

EN 61000-3-11:2000



Winnenden, 2013-10-01

Alexander Krug / Managing Director
Authorized to compile the technical file

Techtronic Industries GmbH
Max-Eyth-Straße 10, 71364 Winnenden, Germany

MAINS CONNECTION

Connect only to single-phase AC current and only to the system voltage indicated on the rating plate. It is also possible to connect to sockets without an earthing contact as the design conforms to safety class II.

A power spike causes voltage fluctuations and may affect other electrical products in the same power line. Connect the product to a power supply with an impedance equal to 0.3Ω to minimize voltage fluctuations. Contact your electric power supplier for further clarification



MAINTENANCE

Be sure to disconnect the tool from the power supply before attaching or removing the saw blade.

Clean the tool and guarding system with clean cloths.

The ventilation slots of the machine must be kept clear at all times.

Use only AEG accessories and spare parts. Should components need to be replaced which have not been described, please contact one of our AEG service agents (see our list of guarantee/service addresses).

If needed, an exploded view of the tool can be ordered. Please state the machine type printed as well as the six-digit No. on the label and order the drawing at your local service agents or directly at: Techtronic Industries GmbH, Max-Eyth-Straße 10, 71364 Winnenden, Germany.

SYMBOLS



CAUTION! WARNING! DANGER!



Always disconnect the plug from the socket before carrying out any work on the machine.



Please read the instructions carefully before starting the machine.



Always wear goggles when using the machine.



Wear ear protectors!



Wear gloves!



Always keep hands away from the path of the saw blade.



Never expose tool to rain.



Do not stare into beam.



² This product corresponds to the laser class 2 in accordance with EN 60825-1:2007



Do not dispose of electric tools together with household waste material! In observance of European Directive 2002/96/EC on waste electrical and electronic equipment and its implementation in accordance with national law, electric tools that have reached the end of their life must be collected separately and returned to an environmentally compatible recycling facility.



Class II tool, tool in which protection against electric shock does not rely on basic insulation only, but in which additional safety precautions, such as double insulation or reinforced insulation, are provided. There being no provision for protective earthing or reliance upon installation conditions.



European Conformity Mark

English

AEG

POWERTOOLS

www.aeg-pt.com

(10.13)
4931 4252 20



Autogoods "130"

Techtronic Industries GmbH
Max-Eyth-Straße 10
71364 Winnenden
Germany