



PHONES

0 (800) 800 130
(050) 462 0 130
(063) 462 0 130
(067) 462 0 130

130
COM.UA

Internet store of
autogoods



SKYPE

km-130

CAR RECEIVERS — Receivers • Media receivers and stations • Native receivers • CD/DVD changers • FM-modulators/USB adapters • Flash memory • Facia plates and adapters • Antennas • Accessories |
 CAR AUDIO — Car audio speakers • Amplifiers • Subwoofers • Processors • Crossovers • Headphones • Accessories | TRIP COMPUTERS — Universal computers • Model computers • Accessories |
 GPS NAVIGATORS — Portable GPS • Built-in GPS • GPS modules • GPS trackers • Antennas for GPS navigators • Accessories | VIDEO — DVR • TV sets and monitors • Car TV tuners • Cameras • Videomodules
 • Transcoders • Car TV antennas • Accessories | SECURITY SYSTEMS — Car alarms • Bike alarms • Mechanical blockers • Immobilizers • Sensors • Accessories | OPTIC AND LIGHT — Xenon • Bixenon • Lamps
 • LED • Stroboscopes • Optic and Headlights • Washers • Light, rain sensors • Accessories | PARKTRONICS AND MIRRORS — Rear parktronic • Front parktronic • Combined parktronic • Rear-view mirrors
 • Accessories | HEATING AND COOLING — Seat heaters • Mirrors heaters • Screen-wipers heaters • Engine heaters • Auto-refrigerators • Air conditioning units • Accessories | TUNING — Vibro-isolation
 • Noise-isolation • Tint films • Accessories | ACCESSORIES — Radar-detectors • Handsfree, Bluetooth • Windowlifters • Compressors • Beeps, loudspeakers • Measuring instruments • Cleaners • Car seats
 • Miscellaneous | MOUNTING — Installation kits • Upholstery • Grilles • Tubes • Cable and wire • Tools • Miscellaneous | POWER — Batteries • Converters • Start-charging equipment • Capacitors
 • Accessories | MARINE AUDIO AND ELECTRONICS — Marine receivers • Marine audio speakers • Marine subwoofers • Marine amplifiers • Accessories | CAR CARE PRODUCTS — Additives • Washer fluid •
 Care accessories • Car polish • Flavors • Adhesives and sealants | LIQUID AND OIL — Motor oil • Transmission oil • Brake fluid • Antifreeze • Technical lubricant



In store "130" you can find and buy almost all necessary goods for your auto in Kyiv and other cities, delivery by ground and postal services. Our experienced consultants will provide you with exhaustive information and help you to choose the very particular thing. We are waiting for you at the address

<https://130.com.ua>

AEG

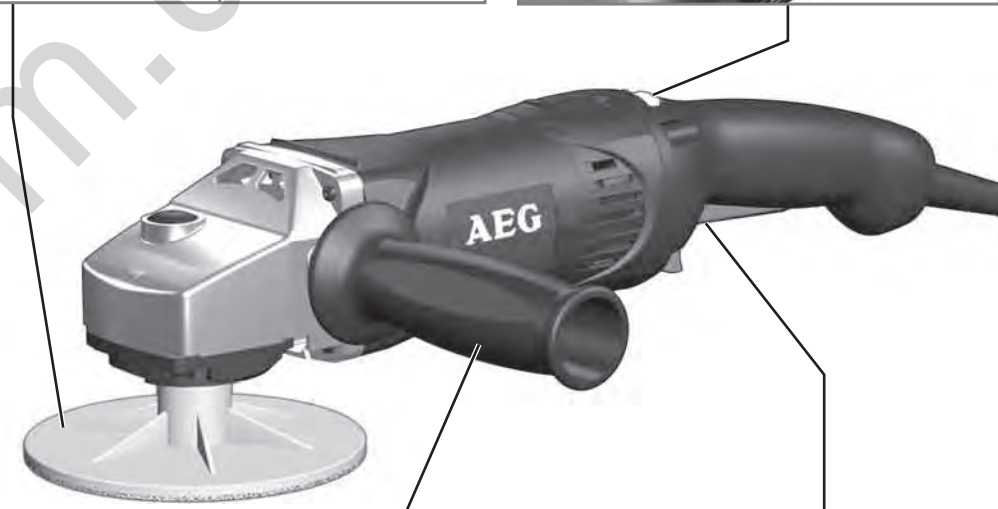
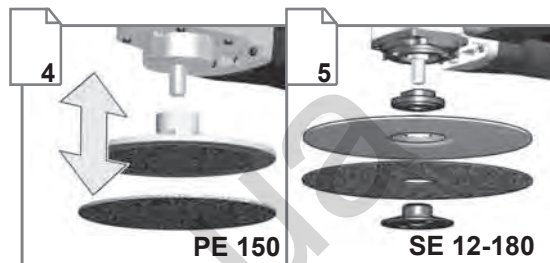
POWERTOOLS

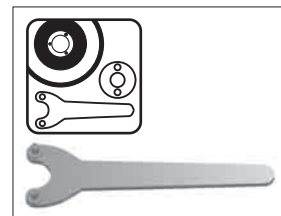
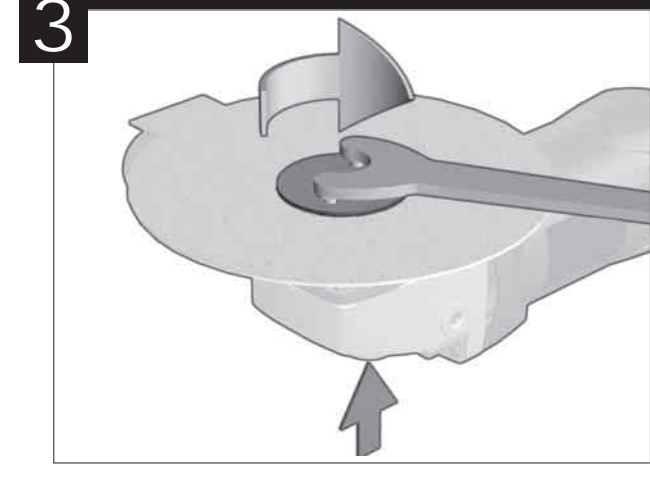
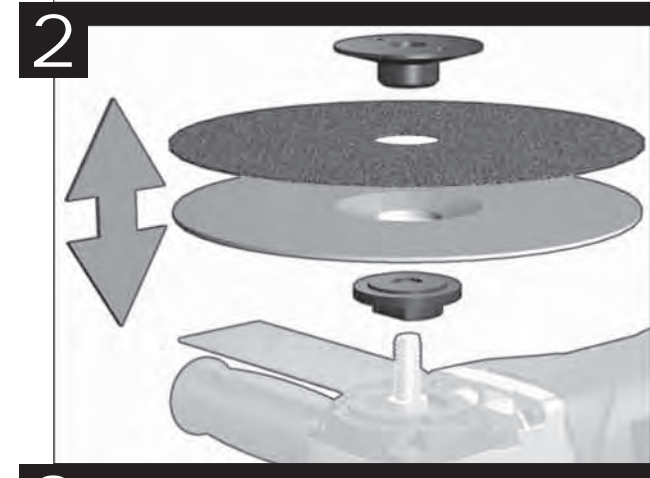
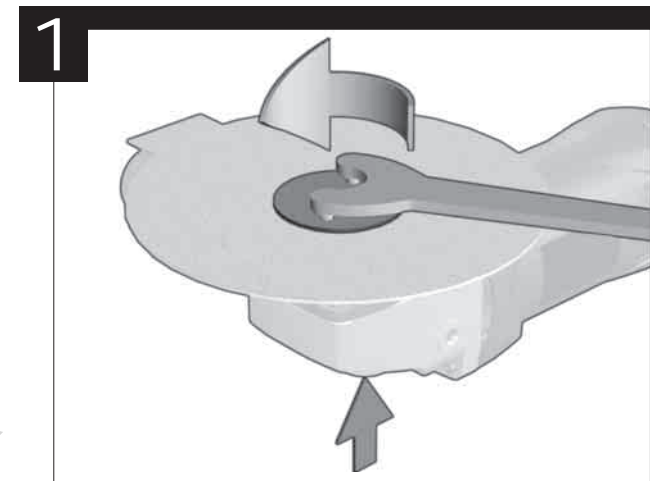
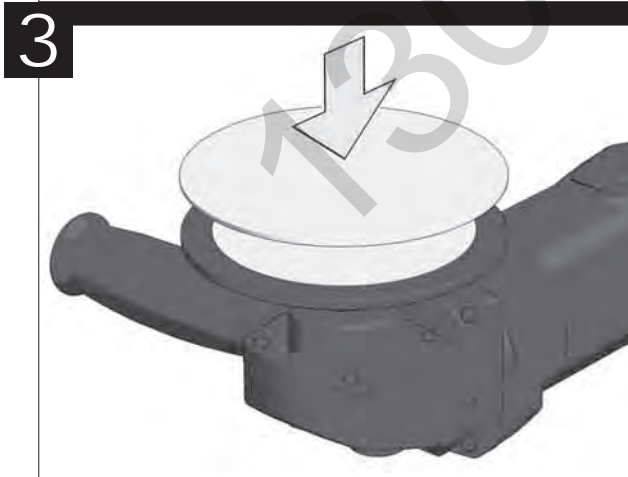
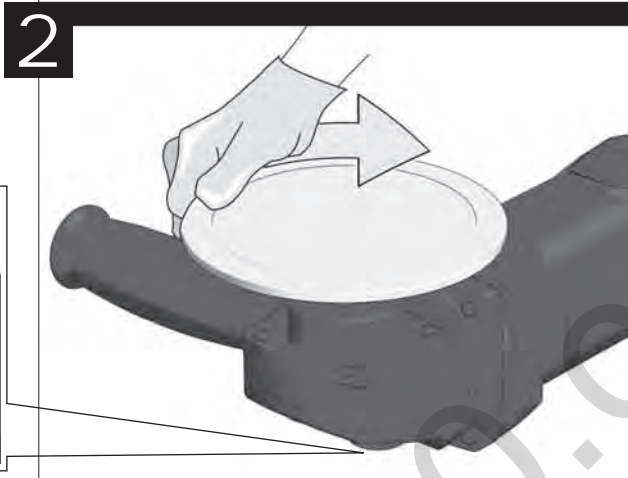
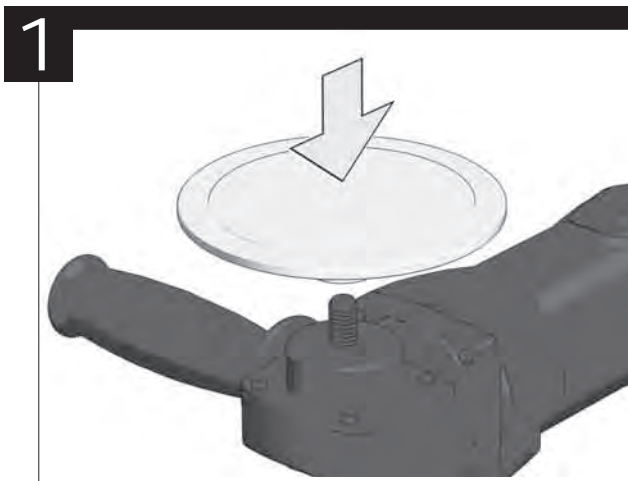
PE 150, SE 12-180

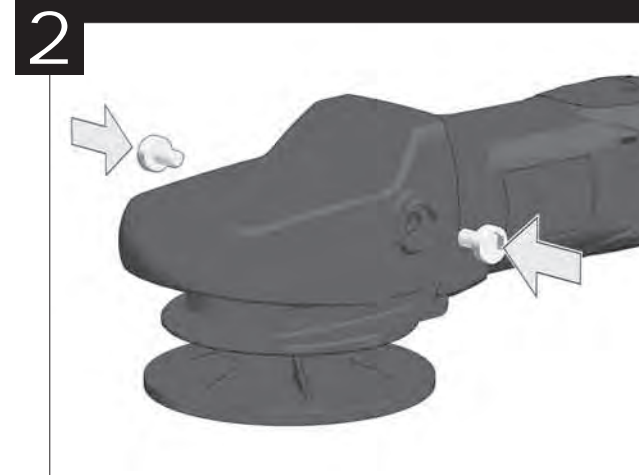
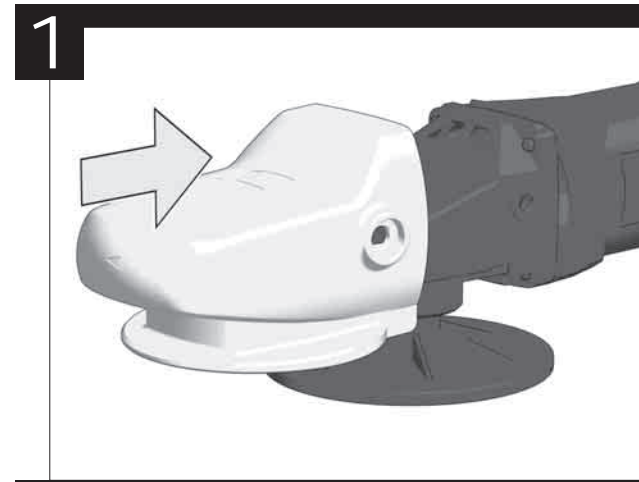
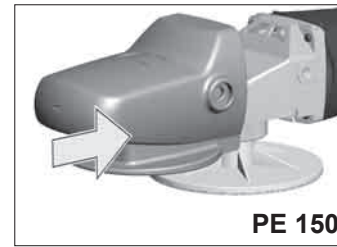
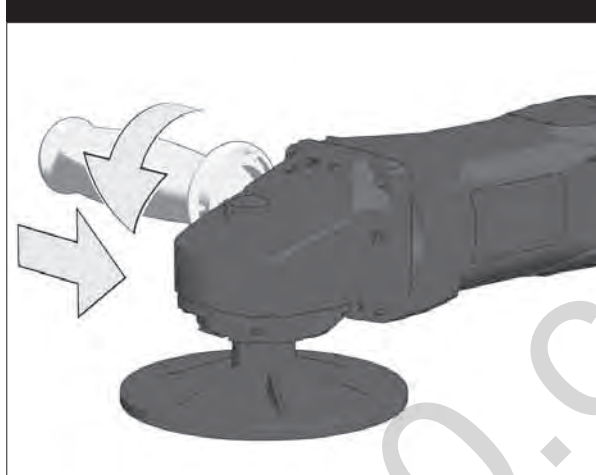
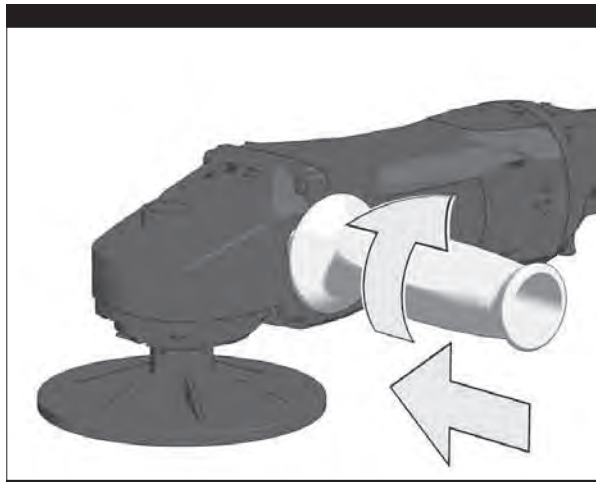
Original instructions
Originalbetriebsanleitung
Notice originale
Istruzioni originali
Manual original
Manual original
Oorspronkelijke
gebruiksaanwijzing
Original brugsanvisning
Original bruksanvisning
Bruksanvisning i original
Alkuperäiset ohjeet
Πρωτότυπο οδηγιών χρήσης
Orijinal işletme talimatı
Původním návodem k používání
Pôvodný návod na použitie

Instrukcja oryginalna
Eredeti használati utasítás
Izvirna navodila
Originalne pogonske upute
Instrukcijām oriģinālvalodā
Originali instrukcija
Algupärane kasutusjuhend
Оригинальное руководство по
эксплуатации
Оригинално ръководство за
експлоатация
Instrucțiuni de folosire originale
Оригинален прирачник за работа
Оригінал інструкції з експлуатації
التعليمات الأصلية

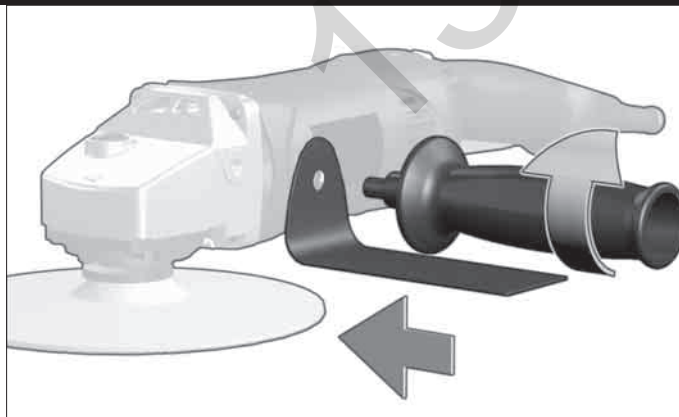
Technical Data, Safety Instructions, Specified Conditions of Use, EC-Declaration of Conformity, Mains connection, Maintenance, Symbols	Please read and save these instructions!	ENGLISH	12
Technische Daten, Sicherheitshinweise, Bestimmungsgemäße Verwendung, CE-Konformitätserklärung, Netzanschluss, Wartung, Symbole	Bitte lesen und aufbewahren!	DEUTSCH	15
Caractéristiques techniques, Instructions de sécurité, Utilisation conforme aux prescriptions, Déclaration CE de Conformité, Branchement secteur, Entretien, Symboles	Prière de lire et de conserver!	FRANÇAIS	18
Dati tecnici, Norme di sicurezza, Utilizzo conforme, Dichiarazione di Conformità CE, Collegamento alla rete, Manutenzione, Simboli	Si prega di leggere le istruzioni e di conservarle!	ITALIANO	21
Datos técnicos, Instrucciones de seguridad, Aplicación de acuerdo a la finalidad, Declaración de Conformidad CE, Conexión eléctrica, Mantenimiento, Símbolos	Lea y conserve estas instrucciones por favor!	ESPAÑOL	24
Características técnicas, Instruções de segurança, Utilização autorizada, Declaração de Conformidade CE, Ligação à rede, Manutenção, Símbolo	Por favor leia e conserve em seu poder!	PORTUGUES	27
Technische gegevens, Veiligheidsadviezen, Voorgeschreven gebruik van het systeem, EC-Konformiteitsverklaring, Netaansluiting, Onderhoud, Symbolen	Lees en let goed op deze adviezen!	NEDERLANDS	30
Tekniske data, Sikkerhedshenvisninger, Tiltænkt formål, CE-Konformitetserklæring, Netttilslutning, Vedligeholdelse, Symboler	Vær venlig at læse og opbevare!	DANSK	33
Tekniske data, Spesielle sikkerhetshenvisninger, Formålmessig bruk, CE-Samsvarserklæring, Netttilkopling, Vedlikehold, Symboler	Vennligst les og oppbevar!	NORSK	36
Tekniska data, Säkerhetsutrustning, Använd maskinen Enligt anvisningarna, CE-Försäkran, Nätanslutning, Skötsel, Symboler	Var god läs och tag tillvara dessa instruktioner!	SVENSKA	39
Tekniset arvot, Turvallisuusohjeet, Tarkoituksenmukainen käyttö, Todistus CE-standardinmukaisuudesta, Verkkoiliitäntä, Huolto, Symbolit	Lue ja säilytö!	SUOMI	42
Τεχνικά στοιχεία, Σημαντικές οδηγίες ασφαλείας, Χρήση σύμφωνα με το σκοπό προορισμού, Δήλωση πιστοποίησης εκ, Συνδεση στο ηλεκτρικό δίκτυο, Συντήρηση, Σύμβολα	Παρακαλείσθε να τις διαβάσετε και να τις φυλάξετε!	ΕΛΛΗΝΙΚΑ	45
Teknik veriler, Güvenliğinin için talimatlar, Kullanım, CE uygunluk beyanice, Şebeke bağlantısı, Bakım, Semboller	Lütfen okuyun ve saklayın	TÜRKÇE	48
Technická data, Speciální bezpečnostní upozornění, Oblast využití, Ce-prohlášení o shodě, Připojení na síť, Údržba, Symboly	Po přečtení uschovejte	ČESKY	51
Technické údaje, Speciálne bezpečnostné pokyny, Použitie podľa predpisov, CE-Vyhlasenie konformity, Sieťová prípojka, Údržba, Symboly	Prosím prečítať a uschovať!	SLOVENSKY	54
Dane techniczne, Specjalne zalecenia dotyczace bezpieczenstwa, Uzytkowanie zgodnie z przeznaczeniem, Swiadectwo zgodnosci ce, Podlaczenie do sieci, Gwarancja, Symboly	Prosimy o uwazne przeczytanie i przeszczeganie zaleceń zamie szczonych w tej instrukcji.	POLSKI	57
Műszaki adatok, Különleges biztonsági tudnivalók, Rendeltetésszerű használat, Ce-azonossági nyilatkozat, Hálózati csatlakoztatás, Karbantartás, Szimbólumok	Olvassa el és őrizze meg	MAGYAR	60
Tehnični podatki, Specialni varnostni napotki, Uporaba v skladu z namembnostjo, Ce-izjava o konformnosti, Omrežni priključek, Vzdrževanje, Simboli	Prosimo preberite in shranite!	SLOVENSKO	63
Tehnički podaci, Specijalne sigurnosne upute, Propisna upotreba, CE-Izjava konformnosti, Priključak na mrežu, Održavanje, Simboli	Molimo pročitat i sačuvati	HRVATSKI	66
Tehniske dati, Speciālie drošības noteikumi, Noteikumiem atbilstošs izmantojums, Atbilstība CE normām, Tīkla pieslēgums, Apkope, Simboli	Pielikums lietošanas pamācībai	LATVISKI	69
Techniniai duomenys, Ypatingos saugumo nuorodos, Naudojimas pagal paskirtį, CE Atitikties pareiškimas, Elektros tinklo jungtis, Techninis aptarnavimas, Simboliai	Prašome perskaityti ir neišmesti!	LIETUVIŠKAI	72
Tehnilised andmed, Spetsiaalsed turvajuhised, Kasutamise vastavalt otstarbele, EÜ Vastavusavaldus, Võrku ühendamine, Hooldus, Sümbolid	Palun lugege läbi ja hoidke alal!	EESTI	75
Технические данные, Важные инструкции по технике безопасности, Использование, Декларация о соответствии стандартам ес, Подключение к электросети, Обслуживание, Символы	Пожалуйста прочтите и сохраните эту инструкцию.	РУССКИЙ	78
Технически данни, Важни инструкции за безопасност, Използване по предназначение, Се - декларация за съответствие, Защита на двигателя в зависимост от натоварването, Поддръжка, Символи	Моля прочетете и запазете!	БЪЛГАРСКИ	81
Date tehnice, Instrucțiuni de securitate, Condiții de utilizare specificate, Declarație de conformitate, Alimentare de la rețea, Intreținere, Simboluri	Va rugăm citiți și păstrați aceste instrucțiuni	ROMÂNIA	84
Технички Податоци, Упатство За Употреба, Специфицирани Услови На Употреба, Еу-декларација За Сообразност, Главни Врски, Одржување, Символи	Ве молиме прочитајте го и чувајте го ова упатство!	МАКЕДОНСКИ	87
Текстова частина з техничними даними, важливими вказівками з техніки безпеки та експлуатації і поясненням символів.		УКРАЇНСЬКА	90
العربية البيانات الفنية، تعليمات السلامة، شروط الاستخدام المحددة، إعلان التوافق من الاتحاد الأوروبي، التوصيل بمصدر التيار الكهربائي، الصيانة، الرموز	يرجى قراءة هذه التعليمات وحفظها في مكان آمن!	عربي	95

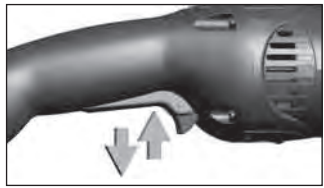




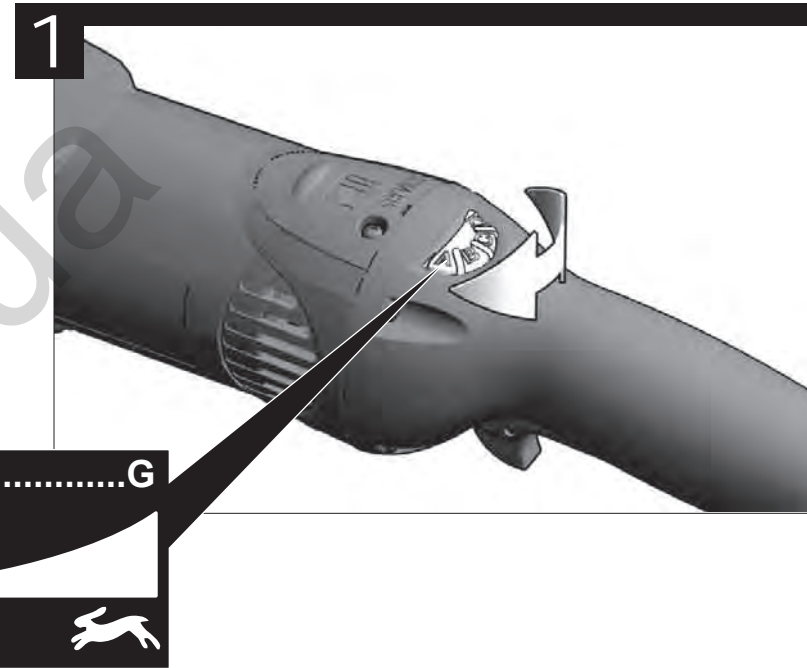
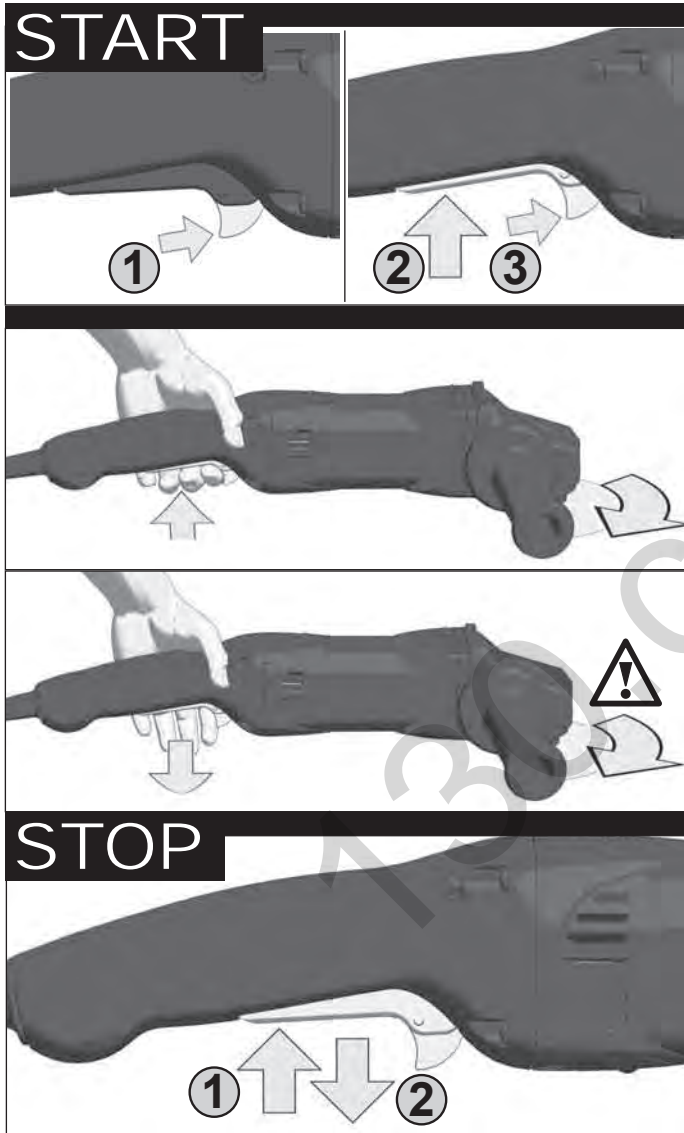


SE 12-180

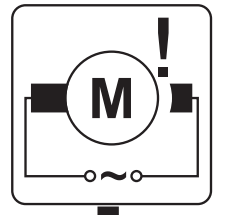




Switch can be locked
 Schalter ist **arretierbar**
 Le commutateur peut être **verrouillé**
 L'interruttore **si può bloccare**
 El interruptor **se puede bloquear**
 O interruptor **pode ser bloqueado**
 Schakelaar is **vastzetbaar**
 Afbryder kan **fikseres**
 Bryter kan **låsnes**
 Brytaren kan **arreteras**
 Katkaisimen voi **lukita**
 Ο διακόπτης **μπορεί να ασφαλιστεί**
 Şalter **ayarlanabilir**
 Vypínač je **aretovateľný**
 Vypínač je **aretovateľný**
 Przełącznik **daje się zablokować**
 A kapcsoló **rögzithető**
 Stikalo je **nastavljivo**
 Prekidač se **može aretirati**
 Slēdzis ir **labojams**
 Jungiklis gali būti **užblokuojamas**
 Lüliti on **fikseeritav**
 Фиксируемый переключатель
 Превключателят може да се фиксира
 Comutatorul **poate fi blocat**
 Прекинувачот може да се заклучи
 Вимикач може блокуватися
 يمكن قفل المفتاح

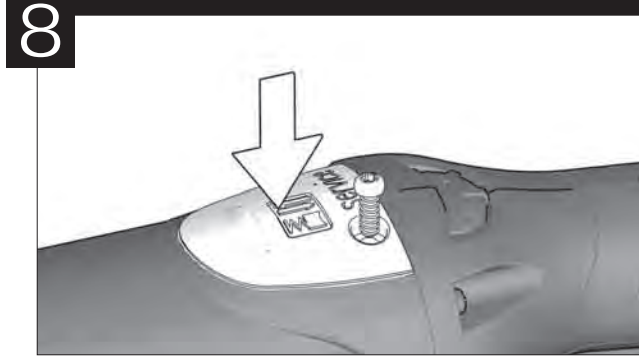
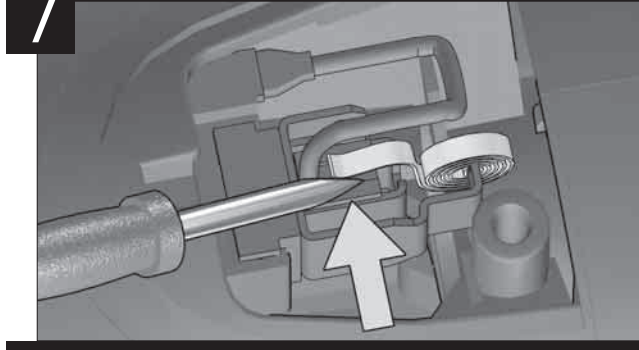
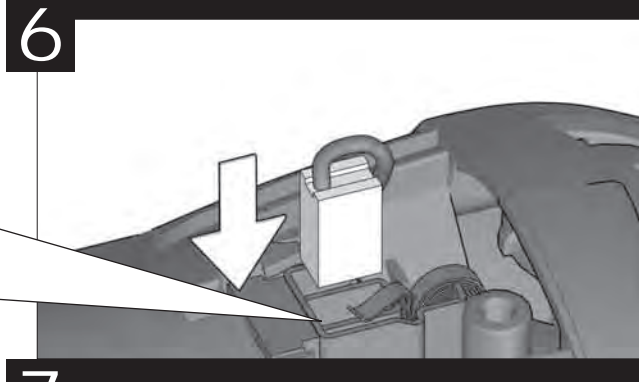
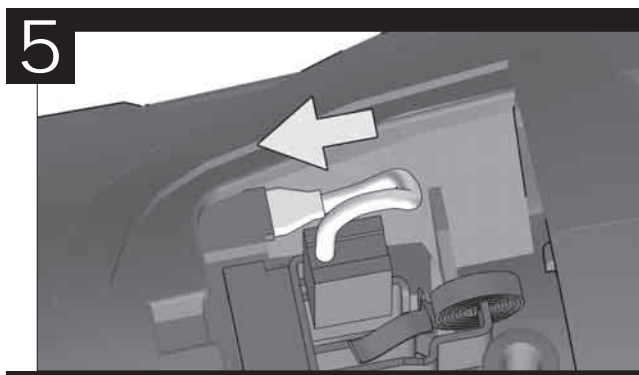
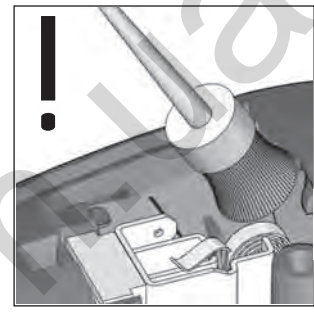
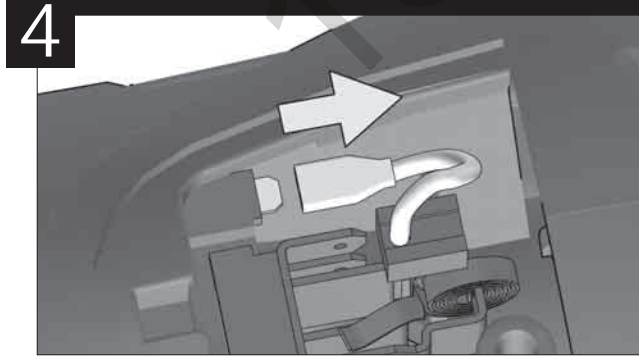
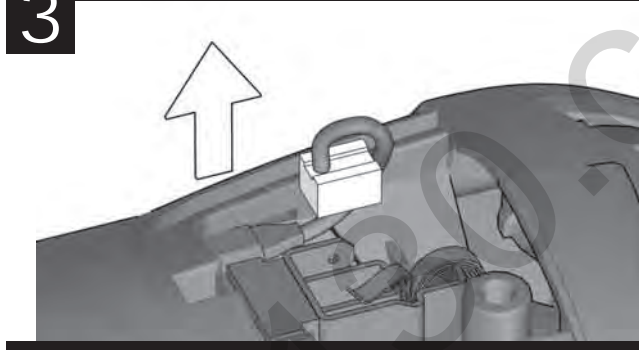
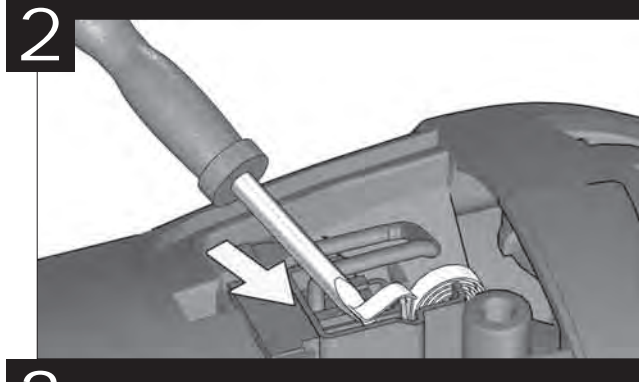
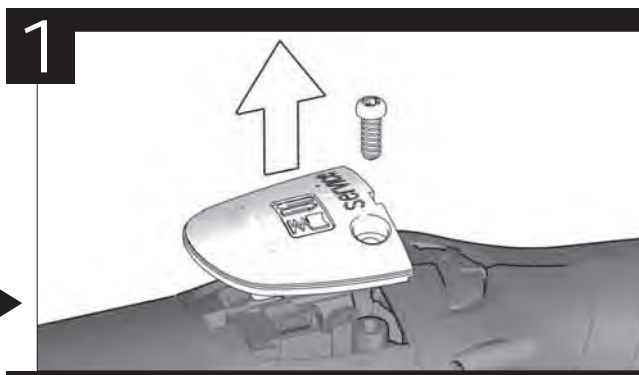


SERVICE



AUTOMATIC STOP

SERVICE
AEG
POWER TOOLS



TECHNICAL DATA	Polisher/Sander	PE 150	SE 12-180
Production code.....	4552 16 01.....	4552 20 01.....	4552 20 01.....
	...000001-999999	...000001-999999	...000001-999999
Rated input.....	1200 W.....	1200 W.....	1200 W.....
Output.....	600 W.....	600 W.....	600 W.....
Rated speed.....	900-2500 min ⁻¹	1800-4800 min ⁻¹	1800-4800 min ⁻¹
Max. Rated speed.....	4700 min ⁻¹	9000 min ⁻¹	9000 min ⁻¹
Grinding disk diameter.....	150 mm.....	180 mm.....	180 mm.....
Thread of work spindle.....	M 14.....	M 14.....	M 14.....
Weight according EPTA-Procedure 01/2003.....	2,1 kg.....	2,5 kg.....	2,5 kg.....

Noise/Vibration Information

Measured values determined according to EN 60745.

Typically, the A-weighted noise levels of the tool are:

Sound pressure level (Uncertainty K=3dB(A)).....	82 dB(A).....	82 dB(A).....
Sound power level (Uncertainty K=3dB(A)).....	93 dB(A).....	93 dB(A).....

Wear ear protection!

Total vibration values (vector sum in the three axes) determined according to EN 60745:

Polishing: vibration emission value a _h	3 m/s ²	- m/s ²
Uncertainty K =.....	1,5 m/s ²	- m/s ²
Disk sanding vibration emission value a _h	- m/s ²	3,3 m/s ²
Uncertainty K =.....	- m/s ²	1,5 m/s ²

WARNING

The vibration emission level given in this information sheet has been measured in accordance with a standardised test given in EN 60745 and may be used to compare one tool with another. It may be used for a preliminary assessment of exposure.

The declared vibration emission level represents the main applications of the tool. However if the tool is used for different applications, with different accessories or poorly maintained, the vibration emission may differ. This may significantly increase the exposure level over the total working period.

An estimation of the level of exposure to vibration should also take into account the times when the tool is switched off or when it is running but not actually doing the job. This may significantly reduce the exposure level over the total working period.

Identify additional safety measures to protect the operator from the effects of vibration such as: maintain the tool and the accessories, keep the hands warm, organisation of work patterns.

⚠ WARNING! Read all safety warnings and all instructions, including those given in the accompanying brochure. Failure to follow the warnings and instructions may result in electric shock, fire and/or serious injury. **Save all warnings and instructions for future reference.**

⚠ POLISHER/SANDER SAFETY INSTRUCTIONS

Safety warnings that are common for polishing and sanding:

a) This power tool is intended to function as a polisher (only PE 150) or sander (only SE 12 180). Read all safety warnings, instructions, illustrations and specifications provided with this power tool. Failure to follow all instructions listed below may result in electric shock, fire and/or serious injury.

b) Operations such as sanding (only PE 150), polishing (only SE 12 180), grinding, wire brushing, or cutting-off are not recommended to be performed with this power tool. Using the electric tool for purposes other than those for which it is designed may cause dangers and injuries.

c) Do not use accessories which are not specifically designed and recommended by the tool manufacturer. Just because the accessory can be attached to your power tool, it does not assure safe operation.

d) The rated speed of the accessory must be at least equal to the maximum speed marked on the power tool. Accessories running faster than their rated speed can break and fly apart.

e) The outside diameter and the thickness of your accessory must be within the capacity rating of your power tool. Incorrectly sized accessories cannot be adequately guarded or controlled.

f) The arbour size of wheels, flanges, backing pads or any other accessory must properly fit the spindle of the power tool. Accessories with arbour holes that do not match the mounting hardware of the power tool will run out of balance, vibrate excessively and may cause loss of control.

g) Do not use a damaged accessory. Before each use inspect the accessory such as backing pad for cracks, tear or excess wear. If power tool or accessory is dropped, inspect for damage or install an undamaged accessory. After inspecting and installing an accessory, position yourself and bystanders away from the plane of the rotating accessory and run the power tool at maximum no-load speed for one minute. Damaged accessories will normally break apart during this test time.

h) Wear personal protective equipment. Depending on application, use face shield, safety goggles or safety glasses. As appropriate, wear dust mask, hearing protectors, gloves and shop apron capable of stopping small abrasive or workpiece fragments. The eye protection must be capable of stopping flying debris generated by various operations. The dust mask or respirator must be capable of filtering particles generated by your operation. Prolonged exposure to high intensity noise may cause hearing loss.

i) Keep bystanders a safe distance away from work area. Anyone entering the work area must wear personal protective equipment. Fragments of workpiece or of a broken accessory may fly away and cause injury beyond immediate area of operation.

j) Hold power tool by insulated gripping surfaces, when performing an operation where the cutting accessory may contact hidden wiring. Cutting accessory contacting a „live“ wire may make exposed metal parts of the power tool „live“ and could give the operator an electric shock.

k) Position the cord clear of the spinning accessory. If you lose control, the cord may be cut or snagged and your hand or arm may be pulled into the spinning accessory.

l) Never lay the power tool down until the accessory has come to a complete stop. The spinning accessory may grab the surface and pull the power tool out of your control.

m) Do not run the power tool while carrying it at your side. Accidental contact with the spinning accessory could snag your clothing, pulling the accessory into your body.

n) Regularly clean the power tool's air vents. The motor's fan will draw the dust inside the housing and excessive accumulation of powdered metal may cause electrical hazards.

o) Do not operate the power tool near flammable materials. Sparks could ignite these materials.

p) Do not use accessories that require liquid coolants. Using water or other liquid coolants may result in electrocution or shock.

Kickback and Related Warnings

Kickback is a sudden reaction to a pinched or snagged rotating wheel, backing pad, brush or any other accessory. Pinching or snagging causes rapid stalling of the rotating accessory which in turn causes the uncontrolled power tool to be forced in the direction opposite of the accessory's rotation at the point of the binding.

For example, if an abrasive wheel is snagged or pinched by the workpiece, the edge of the wheel that is entering into the pinch point can dig into the surface of the material causing the wheel to climb out or kick out. The wheel may either jump toward or away from the operator, depending on direction of the wheel's movement at the point of pinching.

Kickback is the result of power tool misuse and/or incorrect operating procedures or conditions and can be avoided by taking proper precautions as given below.

a) Maintain a firm grip on the power tool and position your body and arm to allow you to resist kickback forces. Always use auxiliary handle, if provided, for maximum control over kickback or torque reaction during start-up. The operator can control torque reactions or kickback forces, if proper precautions are taken.

b) Never place your hand near the rotating accessory. Accessory may kickback over your hand.

c) Do not position your body in the area where power tool will move if kickback occurs. Kickback will propel the tool in direction opposite to the wheel's movement at the point of snagging.

d) Use special care when working corners, sharp edges etc. Avoid bouncing and snagging the accessory. Corners, sharp edges or bouncing have a tendency to snag the rotating accessory and cause loss of control or kickback.

e) Do not attach a saw chain, woodcarving blade or toothed saw blade. Such blades create frequent kickback and loss of control.

SE 12 180:

Safety Warnings Specific for Sanding Operations:

a) Do not use excessively oversized sanding disc paper. Follow manufacturers recommendations, when selecting sanding paper. Larger sanding paper extending beyond the sanding pad presents a laceration hazard and may cause snagging, tearing of the disc or kickback.

PE 150:

Safety Warnings Specific for Polishing Operations:

a) Do not allow any loose portion of the polishing bonnet or its attachment strings to spin freely. Tuck away or trim any loose attachment strings. Loose and spinning attachment strings can entangle your fingers or snag on the workpiece.

Appliances used at many different locations including open air should be connected via a residual current device of 30 mA or less.

Dust and splinters must not be removed while the machine is running.

Only plug-in when machine is switched off.

Never reach into the danger area of the tool when it is running.

Always use the auxiliary handle.

Immediately switch off the machine in case of considerable vibrations or if other malfunctions occur. Check the machine in order to find out the cause.

Always use and store the grinding disks according to the manufacturer's instructions.

When grinding metal, flying sparks are produced. Take care that no persons are endangered. Because of the danger of fire, no combustible materials should be located in the vicinity (spark flight zone). Do not use dust extraction.

Due care should be taken that no sparks or sanding dust flying from the workpiece come into contact with you.

The adjusting nut must be tightened before starting to work with the machine.

The workpiece must be fixed if it is not heavy enough to be steady. Never lead the workpiece to the grinding disk with your hand.

Under extreme conditions (e.g. smooth-grinding metals with the arbour and vulcanized fibre grinding wheel), significant contamination can build up on the inside of the angle grinder. For safety reasons, in such conditions the inside should be cleaned thoroughly of metal deposits and a motor circuit-breaker must be connected in series. If the motor circuit-breaker trips the machine must be sent for repair.

For accessories intended to be fitted with threaded hole wheel, ensure that the thread in the wheel is long enough to accept the spindle length.

SPECIFIED CONDITIONS OF USE

PE 150: The polisher can be used for polishing lacquers, coatings, plastics and other smooth surfaces.

SE 12 180: The sander can be used for sanding wood, plastics and metal.

Do not use this product in any other way as stated for normal use.

STARTING CURRENT LIMITER + SMOOTH START

The starting current for the machine is several times greater than rated current. The starting current limiter reduces the starting current to such an extent that a fuse (16 A, slow-blow) is not tripped.

Electronic smooth start for save use prevents jerky run-up of the machine.

ELECTRONICS

The speed of rotation is adjusted electronically when the load increases.

In case of a longer overload period the speed is decreased electronically. The machine continues to run slowly to cool down the motor coil. After switching off and on the machine can be used at rated load.

STARTUP PROTECTION

A zero-voltage switch prevents the machine from restarting after a power failure. On resuming work, switch the machine off and then back on again.

EC-DECLARATION OF CONFORMITY

We declare under our sole responsibility that the product described under "Technical Data" fulfills all the relevant regulations and the directives 2011/65/EU (RoHS), 2006/42/EC, 2004/108/EC (until 19 April 2016), 2014/30/EU (from 20 April 2016) and the following harmonized standards have been used:

EN 60745-1:2009+A11:2010
 EN 60745-2-3:2011+A2:2013+A11:2014+A12:2014+A13:2015
 EN 55014-1:2006+A1:2009+A2:2011
 EN 55014-2:1997+A1:2001+A2:2008
 EN 61000-3-2:2014
 EN 61000-3-3:2013
 EN 50581:2012

Winnenden, 2016-02-08


 Alexander Krug
 Managing Director



Authorized to compile the technical file.

Techtronic Industries GmbH
 Max-Eyth-Straße 10
 71364 Winnenden
 Germany

MAINS CONNECTION

Connect only to single-phase a.c. current and only to the system voltage indicated on the rating plate. It is also possible to connect to sockets without an earthing contact as the design conforms to safety class II.

MAINTENANCE

The ventilation slots of the machine must be kept clear at all times.

Use only AEG accessories and spare parts. Should components need to be exchanged which have not been described, please contact one of our AEG service agents (see our list of guarantee/service addresses).

If needed, an exploded view of the tool can be ordered. Please state the machine type printed as well as the six-digit No. on the label and order the drawing at your local service agents or directly at: Techtronic Industries GmbH, Max-Eyth-Straße 10, 71364 Winnenden, Germany.

SYMBOLS



CAUTION! WARNING! DANGER!



Always disconnect the plug from the socket before carrying out any work on the machine.



Please read the instructions carefully before starting the machine.



Always wear goggles when using the machine.



Wear gloves!



Do not use force.



Accessory - Not included in standard equipment, available as an accessory.



Do not dispose of electric tools together with household waste material. Electric tools and electronic equipment that have reached the end of their life must be collected separately and returned to an environmentally compatible recycling facility. Check with your local authority or retailer for recycling advice and collection point.



Class II tool, tool in which protection against electric shock does not rely on basic insulation only, but in which additional safety precautions, such as double insulation or reinforced insulation, are provided. There being no provision for protective earthing or reliance upon installation conditions.



European Conformity Mark



Regulatory Compliance Mark (RCM). Product meets applicable regulatory requirements.



National mark of conformity Ukraine



EurAsian Conformity Mark.

TECHNISCHE DATEN

Polierer/Sandpapierschleifer

PE 150

SE 12-180

Produktionsnummer	4552 16 01	4552 20 01
.....000001-999999000001-999999
Nennaufnahmeleistung	1200 W	1200 W
Abgabeleistung	600 W	600 W
Nenn Drehzahl	900-2500 min ⁻¹	1800-4800 min ⁻¹
Max. Nenn Drehzahl	4700 min ⁻¹	9000 min ⁻¹
Schleifscheiben-Ø	150 mm	180 mm
Spindelgewinde	M 14	M 14
Gewicht nach EPTA-Prozedur 01/2003	2,1 kg	2,5 kg

Geräusch/Vibrationsinformation

Messwerte ermittelt entsprechend EN 60 745.

Der A-bewertete Geräuschpegel des Gerätes beträgt typischerweise:

Schalldruckpegel (Unsicherheit K=3dB(A))	82 dB(A)	82 dB(A)
Schalleistungspegel (Unsicherheit K=3dB(A))	93 dB(A)	93 dB(A)

Gehörschutz tragen!

Schwingungsgesamtwerte (Vektorsumme dreier Richtungen) ermittelt entsprechend EN 60745.

Polieren: Schwingungsemissionswert a _h	3 m/s ²	- m/s ²
Unsicherheit K =	1,5 m/s ²	- m/s ²
Sandpapierschleifen: Schwingungsemissionswert a _h	- m/s ²	3,3 m/s ²
Unsicherheit K =	- m/s ²	1,5 m/s ²

WARNUNG

Der in diesen Anweisungen angegebene Schwingungspegel ist entsprechend einem in EN 60745 genormten Messverfahren gemessen worden und kann für den Vergleich von Elektrowerkzeugen miteinander verwendet werden. Er eignet sich auch für eine vorläufige Einschätzung der Schwingungsbelastung.

Der angegebene Schwingungspegel repräsentiert die hauptsächlichsten Anwendungen des Elektrowerkzeugs. Wenn allerdings das Elektrowerkzeug für andere Anwendungen, mit abweichenden Einsatzwerkzeugen oder ungenügender Wartung eingesetzt wird, kann der Schwingungspegel abweichen. Dies kann die Schwingungsbelastung über den gesamten Arbeitszeitraum deutlich erhöhen.

Für eine genaue Abschätzung der Schwingungsbelastung sollten auch die Zeiten berücksichtigt werden, in denen das Gerät abgeschaltet ist oder zwar läuft, aber nicht tatsächlich im Einsatz ist. Dies kann die Schwingungsbelastung über den gesamten Arbeitszeitraum deutlich reduzieren.

Legen Sie zusätzliche Sicherheitsmaßnahmen zum Schutz des Bedieners vor der Wirkung von Schwingungen fest wie zum Beispiel: Wartung von Elektrowerkzeug und Einsatzwerkzeugen, Warmhalten der Hände, Organisation der Arbeitsabläufe.

⚠️ WARNUNG! Lesen Sie alle Sicherheitshinweise und Anweisungen, auch die in der beiliegenden Broschüre. Versäumnisse bei der Einhaltung der Sicherheitshinweise und Anweisungen können elektrischen Schlag, Brand und/oder schwere Verletzungen verursachen. Bewahren Sie alle Sicherheitshinweise und Anweisungen für die Zukunft auf.

⚠️ SICHERHEITSHINWEISE POLIERER/SANDPAPIERSCHLEIFER

Gemeinsame Sicherheitshinweise zum Polieren und Sandpapierschleifen.

a) Dieses Elektrowerkzeug ist zu verwenden als Polierer (nur PE 150) und Sandpapierschleifer (nur SE 12 180). Beachten Sie alle Sicherheitshinweise, Anweisungen, Darstellungen und Daten, die Sie mit dem Elektrowerkzeug erhalten. Wenn Sie die folgenden Anweisungen nicht beachten, kann es zu elektrischem Schlag, Feuer und/oder schweren Verletzungen kommen.

b) Dieses Elektrowerkzeug ist nicht geeignet zum Sandpapierschleifen (nur PE 150), Polieren (nur SE 12 180), Schleifen mit Schleifscheibe, Trennschleifen und Drahtbürsten. Verwendungen, für die das Elektrowerkzeug nicht vorgesehen ist, können Gefährdungen und Verletzungen verursachen.

c) Verwenden Sie kein Zubehör, das vom Hersteller nicht speziell für dieses Elektrowerkzeug vorgesehen und empfohlen wurde. Nur weil Sie das Zubehör an Ihrem Elektrowerkzeug befestigen können, garantiert das keine sichere Verwendung.

d) Die zulässige Drehzahl des Einsatzwerkzeugs muss mindestens so hoch sein wie die auf dem Elektrowerkzeug

angegebene Höchstzahl. Zubehör, das sich schneller als zulässig dreht, kann zerbrechen und umherfliegen.

e) Außendurchmesser und Dicke des Einsatzwerkzeugs müssen den Maßangaben Ihres Elektrowerkzeugs entsprechen. Falsch bemessene Einsatzwerkzeuge können nicht ausreichend abgeschirmt oder kontrolliert werden.

f) Einsatzwerkzeuge, Flansche, Schleifteller oder anderes Zubehör müssen genau auf die Schleifspindel Ihres Elektrowerkzeugs passen. Einsatzwerkzeuge, die nicht genau auf die Schleifspindel des Elektrowerkzeugs passen, drehen sich ungleichmäßig, vibrieren sehr stark und können zum Verlust der Kontrolle führen.

g) Verwenden Sie keine beschädigten Einsatzwerkzeuge. Kontrollieren Sie vor jeder Verwendung Einsatzwerkzeuge wie Schleifteller auf Risse, Verschleiß oder starke Abnutzung. Wenn das Elektrowerkzeug oder das Einsatzwerkzeug herunterfällt, überprüfen Sie, ob es beschädigt ist, oder verwenden Sie ein unbeschädigtes Einsatzwerkzeug. Wenn Sie das Einsatzwerkzeug kontrolliert und eingesetzt haben, halten Sie und in der Nähe befindliche Personen sich außerhalb der Ebene des rotierenden Einsatzwerkzeugs auf und lassen Sie das Elektrowerkzeug eine Minute lang mit Höchstzahl laufen. Beschädigte Einsatzwerkzeuge brechen meist in dieser Testzeit.

h) Tragen Sie persönliche Schutzausrüstung. Verwenden Sie je nach Anwendung Vollgesichtsschutz, Augenschutz oder Schutzbrille. Soweit angemessen, tragen Sie Staubmaske, Gehörschutz, Schutzhandschuhe oder Spezialschürze, die kleine Schleif- und Materialpartikel von Ihnen fernhält. Die Augen sollen vor herumfliegenden Fremdkörpern geschützt werden, die bei verschiedenen Anwendungen entstehen. Staub- oder Atemschutzmaske

müssen den bei der Anwendung entstehenden Staub filtern. Wenn Sie lange lautem Lärm ausgesetzt sind, können Sie einen Hörverlust erleiden.

j) Achten Sie bei anderen Personen auf sicheren Abstand zu Ihrem Arbeitsbereich. Jeder, der den Arbeitsbereich betritt, muss persönliche Schutzausrüstung tragen. Bruchstücke des Werkstücks oder gebrochener Einsatzwerkzeuge können wegfliegen und Verletzungen auch außerhalb des direkten Arbeitsbereichs verursachen.

j) Fassen Sie das Elektrowerkzeug nur an den isolierten Griffflächen an, wenn Sie Arbeiten ausführen, bei denen das Einsatzwerkzeug verborgene Stromleitungen oder das eigene Netzkabel treffen kann. Kontakt mit einer spannungsführenden Leitung setzt auch Metallteile des Elektrowerkzeuges unter Spannung und führt zu einem elektrischen Schlag.

k) Halten Sie das Netzkabel von sich drehenden Einsatzwerkzeugen fern. Wenn Sie die Kontrolle über das Elektrowerkzeug verlieren, kann das Netzkabel durchtrennt oder erfasst werden und Ihre Hand oder Ihr Arm in das sich drehende Einsatzwerkzeug geraten.

l) Legen Sie das Elektrowerkzeug niemals ab, bevor das Einsatzwerkzeug völlig zum Stillstand gekommen ist. Das sich drehende Einsatzwerkzeug kann in Kontakt mit der Ablagefläche geraten, wodurch Sie die Kontrolle über das Elektrowerkzeug verlieren können.

m) Lassen Sie das Elektrowerkzeug nicht laufen, während Sie es tragen. Ihre Kleidung kann durch zufälligen Kontakt mit dem sich drehenden Einsatzwerkzeug erfasst werden, und das Einsatzwerkzeug sich in Ihren Körper bohren.

n) Reinigen Sie regelmäßig die Lüftungsschlitze Ihres Elektrowerkzeugs. Das Motorgebläse zieht Staub in das Gehäuse, und eine starke Ansammlung von Metallstaub kann elektrische Gefahren verursachen.

o) Verwenden Sie das Elektrowerkzeug nicht in der Nähe brennbarer Materialien. Funken können diese Materialien entzünden.

p) Verwenden Sie keine Einsatzwerkzeuge, die flüssige Kühlmittel erfordern. Die Verwendung von Wasser oder anderen flüssigen Kühlmitteln kann zu einem elektrischen Schlag führen.

Rückschlag und entsprechende Sicherheitshinweise

Rückschlag ist die plötzliche Reaktion infolge eines hakenden oder blockierten drehenden Einsatzwerkzeugs wie Schleifteller oder Polierscheibe. Verhaken oder Blockieren führt zu einem abrupten Stopp des rotierenden Einsatzwerkzeugs. Dadurch wird ein unkontrolliertes Elektrowerkzeug gegen die Drehrichtung des Einsatzwerkzeugs an der Blockierstelle beschleunigt.

Wenn z. B. ein Schleifteller im Werkstück hakt oder blockiert, kann der Schleifteller einen Rückschlag verursachen. Der Schleifteller bewegt sich dann auf die Bedienperson zu oder von ihr weg, je nach Drehrichtung des Schleiftellers an der Blockierstelle.

Ein Rückschlag ist die Folge eines falschen oder fehlerhaften Gebrauchs des Elektrowerkzeugs. Er kann durch geeignete Vorsichtsmaßnahmen, wie nachfolgend beschrieben, verhindert werden.

a) Halten Sie das Elektrowerkzeug gut fest und bringen Sie Ihren Körper und Ihre Arme in eine Position, in der Sie die Rückschlagkräfte abfangen können. Verwenden Sie immer den Zusatzgriff, falls vorhanden, um die größtmögliche Kontrolle über Rückschlagkräfte oder Reaktionsmomente beim Hochlauf zu haben. Die Bedienperson kann durch geeignete Vorsichtsmaßnahmen die Rückschlag- und Reaktionskräfte beherrschen.

b) Bringen Sie Ihre Hand nie in die Nähe sich drehender Einsatzwerkzeuge. Das Einsatzwerkzeug kann sich beim Rückschlag über Ihre Hand bewegen.

c) Meiden Sie mit Ihrem Körper den Bereich, in den das Elektrowerkzeug bei einem Rückschlag bewegt wird. Der

Rückschlag treibt das Elektrowerkzeug in die Richtung entgegengesetzt zur Bewegung der Schleifscheibe an der Blockierstelle.

d) Arbeiten Sie besonders vorsichtig im Bereich von Ecken, scharfen Kanten usw. Verhindern Sie, dass Einsatzwerkzeuge vom Werkstück zurückprallen und verkleben. Das rotierende Einsatzwerkzeug neigt bei Ecken, scharfen Kanten oder wenn es abprallt, dazu, sich zu verkleben. Dies verursacht einen Kontrollverlust oder Rückschlag.

e) Verwenden Sie kein Ketten- oder gezähntes Sägeblatt. Solche Einsatzwerkzeuge verursachen häufig einen Rückschlag oder den Verlust der Kontrolle über das Elektrowerkzeug.

SE 12 180:
Besondere Sicherheitshinweise zum Sandpapierschleifen

a) Benutzen Sie keine überdimensionierten Schleifblätter, sondern befolgen Sie die Herstellerangaben zur Schleifblattgröße. Schleifblätter, die über den Schleifteller hinausragen, können Verletzungen verursachen sowie zum Blockieren, Zerreißen der Schleifblätter oder zum Rückschlag führen.

PE 150:
Besondere Sicherheitshinweise zum Polieren

a) Lassen Sie keine losen Teile der Polierhaube, insbesondere Befestigungsschnüre, zu. Verstaunen oder kürzen Sie die Befestigungsschnüre. Lose, sich mitdrehende Befestigungsschnüre können Ihre Finger erfassen oder sich im Werkstück verfangen.

Steckdosen in Außenbereichen müssen mit Fehlerstrom-Schutzschaltern (FI, RCD, PRCD) ausgerüstet sein. Das verlangt die Installationsvorschrift für Ihre Elektroanlage. Bitte beachten Sie das bei der Verwendung unseres Gerätes.

Späne oder Splitter dürfen bei laufender Maschine nicht entfernt werden.

Maschine nur ausgeschaltet an die Steckdose anschließen.

Nicht in den Gefahrenbereich der laufenden Maschine greifen.

Stets den Zusatzhandgriff verwenden.

Gerät sofort ausschalten, wenn beträchtliche Schwingungen auftreten oder andere Mängel festgestellt werden. Überprüfen Sie die Maschine, um die Ursache festzustellen.

Schleifscheiben stets gemäß den Angaben des Herstellers verwenden und aufbewahren.

Beim Schleifen von Metallen entsteht Funkenflug. Darauf achten, dass keine Personen gefährdet werden. Wegen der Brandgefahr dürfen sich keine brennbaren Materialien in der Nähe (Funkenflugbereich) befinden. Keine Staubabsaugung verwenden.

Gerät immer so halten, dass Funken oder Schleifstaub vom Körper wegfliegen.

Die Flanschnutter muss vor Inbetriebnahme der Maschine angezogen sein.

Das zu bearbeitende Werkstück muss festgespannt werden, sofern es nicht durch sein Eigengewicht hält. Niemals Werkstück mit der Hand gegen die Scheibe führen.

Bei extremen Einsatzbedingungen (z. B. beim Glattschleifen von Metallen mit dem Stützteller und Vulkanfieber-Schleifscheiben) kann sich eine starke Verschmutzung im Inneren des Winkelschleifers aufbauen. Bei solchen Einsatzbedingungen ist aus Sicherheitsgründen eine gründliche Reinigung im Inneren von Metallablagerungen und zwingend das Vorschalten eines Fehlerstrom- (FI) Schutzschalters erforderlich. Nach Ansprechen des FI-Schutzschalters muss die Maschine zur Reparatur eingesandt werden.

Vergewissern Sie sich bei Schleifwerkzeugen mit Gewindeinsatz, dass das Gewinde lang genug ist, um die Spindellänge aufzunehmen.

BESTIMMUNGSGEMÄSSE VERWENDUNG

PE 150: Der Polierer ist einsetzbar zum Polieren von vielen Materialien, z.B. Metall, Kunststoff und Glas. Beachten Sie im Zweifelsfall die Hinweise der Zubehörhersteller.

SE 12 180: Der Sandpapierschleifer ist einsetzbar zum Schleifen von vielen Materialien, z.B. Metall, Kunststoff und Holz. Beachten Sie im Zweifelsfall die Hinweise der Zubehörhersteller. Dieses Gerät darf nur wie angegeben bestimmungsgemäß verwendet werden.

ANLAUFSTROMBEGRENZUNG + SANFTANLAUF

Der Einschaltstrom der Maschine beträgt ein Mehrfaches des Nennstromes. Durch die Anlaufstrombegrenzung wird der Einschaltstrom so weit reduziert, dass eine Sicherung (16 A träge) nicht anspricht.

Elektronischer Sanftanlauf für sichere Handhabung verhindert beim Einschalten ein ruckartiges Anlaufen der Maschine.

ELEKTRONIK

Die Elektronik regelt die Drehzahl bei steigender Belastung nach.

Bei längerer Überlastung schaltet die Elektronik auf reduzierte Drehzahl. Die Maschine läuft langsam weiter zum Kühlen der Motorwicklung. Nach Aus- und Wiedereinschalten kann mit der Maschine im Nennlastbereich weitergearbeitet werden.

WIEDERANLAUFSCHEITZ

Ein Nullspannungsschalter verhindert ein Wiederanlaufen der Maschine nach einem Stromausfall. Bei erneuter Arbeitsaufnahme Maschine ausschalten und wieder einschalten.

CE-KONFORMITÄTSERKLÄRUNG

Wir erklären in alleiniger Verantwortung, dass das unter „Technische Daten“ beschriebene Produkt mit allen relevanten Vorschriften der Richtlinie 2011/65/EU (RoHS), 2006/42/EG, 2004/108/EG (bis 19. April 2016), 2014/30/EU (ab 20. April 2016) und den folgenden harmonisierten normativen Dokumenten übereinstimmt:

EN 60745-1:2009+A11:2010
EN 60745-2-3:2011+A2:2013+A11:2014+A12:2014+A13:2015
EN 55014-1:2006+A1:2009+A2:2011
EN 55014-2:1997+A1:2001+A2:2008
EN 61000-3-2:2014
EN 61000-3-3:2013
EN 50581:2012

Winnenden, 2016-02-08



Alexander Krug
Managing Director

Bevollmächtigt die technischen Unterlagen zusammenzustellen

Techronic Industries GmbH
Max-Eyth-Straße 10
71364 Winnenden
Germany

NETZANSCHLUSS

Nur an Einphasen-Wechselstrom und nur an die auf dem Leistungsschild angegebene Netzspannung anschließen. Anschluss ist auch an Steckdosen ohne Schutzkontakt möglich, da ein Aufbau der Schutzklasse II vorliegt.

WARTUNG

Stets die Lüftungsschlitze der Maschine sauber halten.

Nur AEG Zubehör und Ersatzteile verwenden. Bauteile, deren Austausch nicht beschrieben wurde, bei einer AEG

Kundendienststelle auswechseln lassen (Broschüre Garantie/Kundendienstadressen beachten).

Bei Bedarf kann eine Explosionszeichnung des Gerätes unter Angabe der Maschinen Type und der sechsstelligen Nummer auf dem Leistungsschild bei Ihrer Kundendienststelle oder direkt bei Techtronic Industries GmbH, Max-Eyth-Straße 10, 71364 Winnenden, Germany angefordert werden.

SYMBOLE



ACHTUNG! WARNUNG! GEFAHR!



Vor allen Arbeiten an der Maschine Stecker aus der Steckdose ziehen.



Bitte lesen Sie die Gebrauchsanweisung vor Inbetriebnahme sorgfältig durch.



Beim Arbeiten mit der Maschine stets Schutzbrille tragen.



Schutzhandschuhe tragen!



Keine Kraft anwenden.



Zubehör - Im Lieferumfang nicht enthalten, empfohlene Ergänzung aus dem Zubehörprogramm.



Elektrogeräte dürfen nicht zusammen mit dem Hausmüll entsorgt werden. Elektrische und elektronische Geräte sind getrennt zu sammeln und zur umweltgerechten Entsorgung bei einem Verwertungsbetrieb abzugeben. Erkundigen Sie sich bei den örtlichen Behörden oder bei Ihrem Fachhändler nach Recyclinghöfen und Sammelstellen.



Elektrowerkzeug der Schutzklasse II. Elektrowerkzeug, bei dem der Schutz vor einem elektrischen Schlag nicht nur von der Basisisolierung abhängt, sondern auch davon, dass zusätzliche Schutzmaßnahmen, wie doppelte Isolierung oder verstärkte Isolierung, angewendet werden. Es gibt keine Vorrichtung zum Anschluss eines Schutzleiters.



CE-Zeichen



Regulatory Compliance Mark (RCM). Das Produkt erfüllt die geltenden Vorschriften.



Nationales Konformitätszeichen Ukraine



EurAsian Konformitätszeichen.

CARACTÉRISTIQUES TECHNIQUES	Polisseuse/Ponceuse	PE 150	SE 12-180
Numéro de série	4552 16 01...	4552 20 01...	4552 20 01...
	...000001-999999	...000001-999999	...000001-999999
Puissance nominale de réception	1200 W	1200 W	1200 W
Puissance utile	600 W	600 W	600 W
Vitesse de rotation nominale	900-2500 min ⁻¹	1800-4800 min ⁻¹	1800-4800 min ⁻¹
Vitesse de rotation nominale max.	4700 min ⁻¹	9000 min ⁻¹	9000 min ⁻¹
Diamètre de meule	150 mm	180 mm	180 mm
Filetage de l'arbre	M 14	M 14	M 14
Poids suivant EPTA-Procédure 01/2003	2,1 kg	2,5 kg	2,5 kg

Informations sur le bruit et les vibrations

Valeurs de mesure obtenues conformément à la EN 60 745.

Les mesures réelles (A) des niveaux acoustiques de l'appareil sont :

Niveau de pression acoustique (Incertitude K=3dB(A))	82 dB(A)	82 dB(A)
Niveau d'intensité acoustique (Incertitude K=3dB(A))	93 dB(A)	93 dB(A)

Toujours porter une protection acoustique!

Valeurs totales des vibrations (somme vectorielle de trois sens) établies conformément à EN 60745.

Polissage: valeur d'émission d'oscillations a _p	3 m/s ²	- m/s ²
Incertitude K =	1,5 m/s ²	- m/s ²
Rectification avec disque de rectification en matière plastique: valeur d'émission d'oscillations a _p	- m/s ²	3,3 m/s ²
Incertitude K =	- m/s ²	1,5 m/s ²

AVERTISSEMENT

Le niveau vibratoire indiqué dans ces instructions a été mesuré selon un procédé de mesure normalisé dans la norme EN 60745 et peut être utilisé pour comparer des outils électriques entre eux. Il convient aussi à une estimation provisoire de la sollicitation par les vibrations.

Le niveau vibratoire indiqué représente les applications principales de l'outil électrique. Toutefois, si l'outil électrique est utilisé pour d'autres applications, avec des outils rapportés qui diffèrent ou une maintenance insuffisante, il se peut que le niveau vibratoire diverge. Cela peut augmenter nettement la sollicitation par les vibrations sur tout l'intervalle de temps du travail.

Pour une estimation précise de la sollicitation par les vibrations, on devrait également tenir compte des temps pendant lesquels l'appareil n'est pas en marche ou tourne sans être réellement en service. Cela peut réduire nettement la sollicitation par les vibrations sur tout l'intervalle de temps du travail.

Définissez des mesures de sécurité supplémentaires pour protéger l'utilisateur contre l'influence des vibrations, comme par exemple : la maintenance de l'outil électrique et des outils rapportés, le maintien au chaud des mains, l'organisation des déroulements de travail.

AVERTISSEMENT! Lisez toutes les consignes de sécurité et les instructions, même celles qui se trouvent dans la brochure ci-jointe. Le non-respect des avertissements et instructions indiqués ci après peut entraîner un choc électrique, un incendie et/ou de graves blessures sur les personnes. **Bien garder tous les avertissements et instructions.**

INSTRUCTIONS DE SÉCURITÉ PARTICULIÈRES POLISSEUSE/PONCEUSE

Avertissements communs pour le ponçage au papier de verre et le polissage:

a) Cet outil électrique est destiné à fonctionner comme lustreux (uniquement PE 150), ponceuse (uniquement SE 12 180). Lire toutes les mises en garde de sécurité, les instructions, les illustrations et les spécifications fournies avec cet outil électrique. Le fait de ne pas suivre toutes les instructions données cidessous peut provoquer un choc électrique, un incendie et/ou une blessure grave.

b) Cet outil électrique ne convient pas au meulage à la toile émeri (uniquement PE 150), au polissage (uniquement SE 12 180), tronçonnage à la meule et de dégrossissage en travailler avec des brosses. Les cas d'utilisation pour lesquels l'outil électrique n'est pas prévu peuvent présenter des mises en danger et être à l'origine de blessures.

c) Ne pas utiliser d'accessoires non conçus spécifiquement et recommandés par le fabricant d'outils. Le simple fait que l'accessoire puisse être fixé à votre outil électrique ne garantit pas un fonctionnement en toute sécurité.

d) La vitesse assignée de l'accessoire doit être au moins égale à la vitesse maximale indiquée sur l'outil électrique. Les accessoires fonctionnant plus vite que leur vitesse assignée peuvent se rompre et voler en éclat.

e) Le diamètre extérieur et l'épaisseur de votre accessoire doivent se situer dans le cadre des caractéristiques de capacité de votre outil électrique. Les accessoires dimensionnés de façon incorrecte ne peuvent pas être protégés ou commandés de manière appropriée.

f) La taille de mandrin des meules, flasques, patins d'appui ou tout autre accessoire doit s'adapter correctement à l'arbre de l'outil électrique. Les accessoires avec alésages centraux ne correspondant pas aux éléments de montage de l'outil électrique seront en déséquilibre, vibreront excessivement, et pourront provoquer une perte de contrôle.

g) Ne pas utiliser d'accessoire endommagé. Avant chaque utilisation examiner les accessoires comme les patins d'appui pour détecter des traces éventuelles de fissures, de déchirure ou d'usure excessive. Si l'outil électrique ou l'accessoire a subi une chute, examiner les dommages éventuels ou installer un accessoire non endommagé. Après examen et installation d'un accessoire, placez-vous ainsi que les personnes présentes à distance du plan de l'accessoire rotatif et faire marcher l'outil électrique à vitesse maximale à vide pendant 1 min. Les accessoires endommagés seront normalement détruits pendant cette période d'essai.

h) Porter un équipement de protection individuelle. En fonction de l'application, utiliser un écran facial, des lunettes de sécurité ou des verres de sécurité. Le cas échéant, utiliser un masque antipoussières, des protections auditives, des gants et un tablier capables d'arrêter les petits fragments abrasifs ou des pièces à usiner. La protection oculaire doit être capable d'arrêter les débris volants produits par les diverses opérations. Le masque antipoussières ou le respirateur doit être capable de filtrer les particules produites par vos travaux. L'exposition prolongée aux bruits de forte intensité peut provoquer une perte de l'audition.

i) Maintenir les personnes présentes à une distance de sécurité par rapport à la zone de travail. Toute personne entrant dans la zone de travail doit porter un équipement de protection individuelle. Des fragments de pièce à usiner ou d'un accessoire cassé peuvent être projetés et provoquer des blessures en dehors de la zone immédiate d'opération.

j) Tenir l'outil uniquement par les surfaces de préhension isolantes, pendant les opérations au cours desquelles l'accessoire coupant peut être en contact avec des conducteurs cachés ou avec son propre câble. Le contact de l'accessoire coupant avec un fil « sous tension » peut également mettre « sous tension » les parties métalliques exposées de l'outil électrique et provoquer un choc électrique sur l'opérateur.

k) Placer le câble éloigné de l'accessoire de rotation. Si vous perdez le contrôle, le câble peut être coupé ou subir un accroc et votre main ou votre bras peut être tiré dans l'accessoire de rotation.

l) Ne jamais reposer l'outil électrique avant que l'accessoire n'ait atteint un arrêt complet. L'accessoire de rotation peut agripper la surface et arracher l'outil électrique hors de votre contrôle.

m) Ne pas faire fonctionner l'outil électrique en le portant sur le côté. Un contact accidentel avec l'accessoire de rotation pourrait accrocher vos vêtements et attirer l'accessoire sur vous.

n) Nettoyer régulièrement les orifices d'aération de l'outil électrique. Le ventilateur du moteur attirera la poussière à l'intérieur du boîtier et une accumulation excessive de poudre de métal peut provoquer des dangers électriques.

o) Ne pas faire fonctionner l'outil électrique à proximité de matériaux inflammables. Des étincelles pourraient enflammer ces matériaux.

p) Ne pas utiliser d'accessoires qui nécessitent des réfrigérants fluides. L'utilisation d'eau ou d'autres réfrigérants fluides peut aboutir à une électrocution ou un choc électrique.

Rebonds et mises en garde correspondantes

Le rebond est une réaction soudaine au pincement ou à l'accrochage d'une meule rotative, d'un patin d'appui, d'une brosse ou de tout autre accessoire. Le pincement ou l'accrochage provoque un blocage rapide de l'accessoire en rotation qui, à son tour, contraint l'outil électrique hors de contrôle dans le sens opposé de rotation de l'accessoire au point du grippage.

Par exemple, si une meule abrasive est accrochée ou pincée par la pièce à usiner, le bord de la meule qui entre dans le point de pincement peut creuser la surface du matériau, provoquant des sauts ou l'expulsion de la meule. La meule peut sauter en direction de l'opérateur ou encore en s'en éloignant, selon le sens du mouvement de la meule au point de pincement.

Le rebond résulte d'un mauvais usage de l'outil et/ou de procédures ou de conditions de fonctionnement incorrectes et peut être évité en prenant les précautions appropriées spécifiées ci-dessous.

a) Maintenir fermement l'outil électrique et placer votre corps et vos bras pour vous permettre de résister aux forces de rebond. Toujours utiliser une poignée auxiliaire, le cas échéant, pour une maîtrise maximale du rebond ou de la réaction de couple au cours du démarrage. L'opérateur peut maîtriser les couples de réaction ou les forces de rebond, si les précautions qui s'imposent sont prises.

b) Ne jamais placer votre main à proximité de l'accessoire en rotation. L'accessoire peut effectuer un rebond sur votre main.

c) Ne pas vous placer dans la zone où l'outil électrique se déplacera en cas de rebond. Le rebond pousse l'outil dans le sens opposé au mouvement de la meule au point d'accrochage.

d) Apporter un soin particulier lors de travaux dans les coins, les arêtes vives etc. Éviter les rebondissements et les accrochages de l'accessoire. Les coins, les arêtes vives ou les rebondissements ont tendance à accrocher l'accessoire en rotation et à provoquer une perte de contrôle ou un rebond.

e) Ne pas fixer de chaîne coupante, de lame de sculpture sur bois, de chaîne coupante ni de lame de scie dentée. De telles

lames provoquent des rebonds fréquents et des pertes de contrôle.

SE 12 180:

Mises en garde de sécurité spécifiques aux opérations de ponçage

a) Ne pas utiliser de papier abrasif trop surdimensionné pour les disques de ponçage. Suivre les recommandations des fabricants, lors du choix du papier abrasif. Un papier abrasif plus grand s'étendant au-delà du patin de ponçage présente un danger de lacération et peut provoquer un accrochage, une déchirure du disque ou un rebond.

PE 150:

Mises en garde de sécurité spécifiques aux opérations de lustrage

a) Ne permettre à aucune partie lâche du bonnet de lustrage ou de ses fils de fixation de tourner librement. Cacher ou tailler tous les fils de fixation lâches. Les fils de fixation lâches et en rotation peuvent s'enchevêtrer sur vos doigts ou s'accrocher sur la pièce à usiner.

Les prises de courant se trouvant à l'extérieur doivent être équipées de disjoncteurs différentiel (FI, RCD, PRCD) conformément aux prescriptions de mise en place de votre installation électrique. Veuillez en tenir compte lors de l'utilisation de notre appareil.

Ne jamais enlever les copeaux ni les éclats lorsque la machine est en marche.

Ne raccorder la machine au réseau que si l'interrupteur est en position arrêté.

Ne jamais intervenir dans la zone dangereuse lorsque la machine est en marche.

Utiliser toujours la poignée supplémentaire.

Arrêter la machine tout de suite lorsqu'il y a des vibrations importantes ou que d'autres défauts surgissent. Contrôler la machine afin d'en trouver les causes.

Toujours utiliser et conserver les meules conformément aux indications du fabricant.

L'usage des métaux génère des étincelles. Veiller à ce que personne ne soit exposé à un danger. En raison du risque d'incendie, aucune matière inflammable ou combustible ne doit se trouver dans la zone de projection des étincelles. Ne pas utiliser d'aspirateur de poussières.

Toujours maintenir la machine de façon à ce que étincelles et poussières soient projetées dans la direction opposée au corps.

L'écrou du flasque doit être serré avant de mettre en marche la machine.

La pièce à travailler doit être fortement serrée lorsque son propre poids ne suffit pas à la maintenir. Ne jamais guider la pièce à travailler à la main vers la meule.

Dans le cas de conditions d'utilisation extrêmes (par exemple, pendant le polissage à la meule des métaux avec le plateau d'appui et les disques de rectification aux fibres vulcanisées), un encrassement important peut se former à l'intérieur de la meuleuse d'angle. Dans de telles conditions d'utilisation, il est nécessaire pour des raisons de sécurité de procéder à un nettoyage minutieux à l'intérieur pour éliminer les dépôts métalliques et de monter absolument un interrupteur de protection contre les courants de court-circuit en amont. La machine doit nous être expédiée pour une réparation si cet interrupteur de protection se déclenche.

Sur les machines prévues pour les outils abrasifs à orifice fileté, vérifiez que la profondeur du filetage est suffisante pour la longueur de la broche.

UTILISATION CONFORME AUX PRESCRIPTIONS

PE 150: La ponceuse peut être utilisée pour le polissage de vernis, de revêtements, de matières synthétiques et autres surfaces planes.

SE 12 180: La machine utilisée pour poncer le bois, les plastiques et le métal.

Comme déjà indiqué, cette machine n'est conçue que pour une utilisation normale.

LIMITATION DU COURANT DE DÉMARRAGE + DÉMARRAGE EN DOUCEUR

La tension d'amorçage de la machine est un multiple de sa tension nominale. Grâce à la limitation du courant de démarrage, la tension d'amorçage est réduite à tel point qu'un fusible (16 A à action retardée) ne répond pas.

Démarrage électronique en douceur garantissant un maniement fiable tout en empêchant un démarrage brusque lors de la mise en marche de la machine.

ÉLECTRONIQUE

En cas d'augmentation de la sollicitation, l'électronique adapte la vitesse de rotation en conséquence.

En cas de surcharge prolongée, l'électronique réduit la vitesse de rotation. La machine continue à tourner lentement afin de refroidir le bobinage du moteur. Après arrêt et remise en marche de la machine, il est possible de la faire tourner en charge nominale.

DISPOSITIF DE PROTECTION CONTRE UN REDÉMARRAGE

Un commutateur à potentiel zéro empêche un redémarrage de la machine après une panne de courant. Lors de la reprise du travail, éteindre la machine et l'enclencher à nouveau.

DECLARATION "CE DE CONFORMITÉ

Nous déclarons sous notre seule responsabilité que le produit décrit sous « Caractéristiques techniques » concorde avec toutes les consignes pertinentes de la directive 2011/65 EU (RoHS), 2006/42/CE, 2004/108/CE (jusqu'au 19 April 2016), 2014/30/UE (à partir du 20 April 2016) et les documents normatifs harmonisés suivants :

EN 60745-1:2009+A11:2010
EN 60745-2-3:2011+A2:2013+A11:2014+A12:2014+A13:2015
EN 55014-1:2006+A1:2009+A2:2011
EN 55014-2:1997+A1:2001+A2:2008
EN 61000-3-2:2014
EN 61000-3-3:2013
EN 50581:2012

Winnenden, 2016-02-08



Alexander Krug
Managing Director



Autorisé à compiler la documentation technique.

Techronic Industries GmbH
Max-Eyth-Straße 10
71364 Winnenden
Germany

BRANCHEMENT SECTEUR

Raccorder uniquement à un courant électrique monophasé et uniquement à la tension secteur indiquée sur la plaque signalétique. Le raccordement à des prises de courant sans contact de protection est également possible car la classe de protection II est donnée.

ENTRETIEN

Tenir toujours propre les orifices de ventilation de la partie moteur.

N'utiliser que des pièces et accessoires AEG. Pour des pièces dont l'échange n'est pas décrit, s'adresser de préférence aux stations de service après-vente AEG (voir brochure Garantie/ Adresses des stations de service après-vente).

En cas de besoin il est possible de demander un dessin éclaté du dispositif en indiquant le modèle de la machine et le numéro de six chiffres imprimé sur la plaquette de puissance et en s'adressant au centre d'assistance technique ou directement à Techronic Industries GmbH, Max-Eyth-Straße 10, 71364 Winnenden, Germany.

SYMBOLES



ATTENTION! AVERTISSEMENT! DANGER!



Avant tous travaux sur la machine extraire la fiche de la prise de courant.



Veillez lire avec soin le mode d'emploi avant la mise en service



Toujours porter des lunettes protectrices en travaillant avec la machine.



Porter des gants de protection!



Ne pas appliquer de la force.



Accessoires - Ces pièces ne font pas partie de la livraison. Il s'agit là de compléments recommandés pour votre machine et énumérés dans le catalogue des accessoires.



Les dispositifs électriques ne sont pas à éliminer dans les déchets ménagers. Les dispositifs électriques et électroniques sont à collecter séparément et à remettre à un centre de recyclage en vue de leur élimination dans le respect de l'environnement. S'adresser aux autorités locales ou au détaillant spécialisé en vue de connaître l'emplacement des centres de recyclage et des points de collecte.



Outil électrique en classe de protection II. Outil électrique équipé d'une protection contre la fulguration électrique qui ne dépend seulement de l'isolation de base mais aussi de l'application d'autres mesures de protection telles qu'une double isolation ou une isolation augmentée. La connexion d'un conducteur de protection n'est pas prédisposée.



Marque CE



Regulatory Compliance Mark (RCM). Le produit est conforme aux prescriptions en vigueur.



Symbole national de conformité Ukraine.



Marque de qualité EurAsian

DATI TECNICI

	Lucidatrice/Levigatrice	PE 150	SE 12-180
Numero di serie	4552 16 01.....	4552 20 01.....	4552 20 01.....
Potenza assorbita nominale	1200 W.....	1200 W.....	1200 W.....
Potenza erogata	600 W.....	600 W.....	600 W.....
Numero giri nominale	900-2500 min ⁻¹	1800-4800 min ⁻¹	1800-4800 min ⁻¹
Max. numero giri nominale	4700 min ⁻¹	9000 min ⁻¹	9000 min ⁻¹
Ø disco abrasivo	150 mm.....	150 mm.....	150 mm.....
Passo attacco codolo	M 14.....	M 14.....	M 14.....
Peso secondo la procedura EPTA 01/2003.....	2,1 kg.....	2,5 kg.....	2,5 kg.....

Informazioni sulla rumorosità/sulle vibrazioni

Valori misurati conformemente alla norma EN 60745.

La misurazione A del livello di pressione acustica dell'utensile è di solito di:

Livello di rumorosità (Incertezza della misura K=3dB(A)).....	82 dB(A).....	82 dB(A).....
Potenza della rumorosità (Incertezza della misura K=3dB(A)).....	93 dB(A).....	93 dB(A).....

Utilizzare le protezioni per l'udito!

Valori totali delle oscillazioni (somma di vettori in tre direzioni)

misurati conformemente alla norma EN 60745

Lucidatura: valore di emissione oscillazioni a_h.....3 m/s².....- m/s²

Incertezza della misura K =1,5 m/s².....- m/s²

Rettificazione con disco smerigliatore di plastica: valore di emissione oscillazioni a_h.....3,3 m/s²

Incertezza della misura K =1,5 m/s².....- m/s²

AVVERTENZA

Il livello di vibrazioni indicato nelle presenti istruzioni è stato misurato in conformità con un procedimento di misurazione codificato nella EN 60745 e può essere utilizzato per un confronto tra attrezzi elettrici. Inoltre si può anche utilizzare per una valutazione preliminare della sollecitazione da vibrazioni.

Il livello di vibrazioni indicato rappresenta le applicazioni principali dell'attrezzo elettrico. Se viceversa si utilizza l'attrezzo elettrico per altri scopi, con accessori differenti o con una manutenzione insufficiente, il livello di vibrazioni può risultare diverso. E questo può aumentare decisamente la sollecitazione da vibrazioni lungo l'intero periodo di lavorazione.

Ai fini di una valutazione precisa della sollecitazione da vibrazioni si dovrebbero tenere presente anche i periodi in cui l'apparecchio rimane spento oppure, anche se acceso, non viene effettivamente utilizzato. Ciò può ridurre notevolmente la sollecitazione da vibrazioni lungo l'intero periodo di lavorazione.

Stabilite misure di sicurezza supplementari per la tutela dell'operatore dall'effetto delle vibrazioni, come ad esempio: manutenzione dell'attrezzo elettrico e degli accessori, riscaldamento delle mani, organizzazione dei processi di lavoro.

AVVERTENZA! E' necessario leggere tutte le indicazioni di sicurezza e le istruzioni, anche quelle contenute nella brochure allegata. In caso di mancato rispetto delle avvertenze di pericolo e delle istruzioni operative si potrà creare il pericolo di scosse elettriche, incendi e/o incidenti gravi. Conservare tutte le avvertenze di pericolo e le istruzioni operative per ogni esigenza futura.

NORME DI SICUREZZA LUCIDATRICE/LEVIGATRICE

Istruzioni di sicurezza generali per lavori di levigatura con carta vetrata e lucidatura:

a) Questo elettrotensile è previsto per essere utilizzato come lucidatrice (solo PE 150) e levigatrice per carta a vetro (solo SE 12 180). Attenersi a tutte le avvertenze di pericolo, istruzioni, rappresentazioni e dati che si ricevono insieme all'elettrotensile. In caso di mancata osservanza delle seguenti istruzioni vi è il pericolo di provocare una scossa elettrica, di sviluppare incendi e/o di provocare seri incidenti.

b) Questo attrezzo elettrico non è idoneo per la rettificazione con carta vetrata (solo PE 150), la lucidatura (solo SE 12 180), rettificazione di asportazione e di sgrossatura e al lavoro con spazzole metalliche. Qualsiasi utilizzo non previsto con il presente attrezzo elettrico può causare pericolo e lesioni.

c) Non utilizzare nessun accessorio che la casa costruttrice non abbia esplicitamente previsto e raccomandato per questo elettrotensile. Il semplice fatto che un accessorio possa essere fissato al Vostro elettrotensile non è una garanzia per un impiego sicuro.

d) Il numero di giri ammesso dell'accessorio impiegato deve essere almeno tanto alto quanto il numero massimo di giri riportato sull'elettrotensile. Un accessorio che gira più rapidamente di quanto consentito può rompersi in vari pezzi e venir lanciato intorno.

e) Il diametro esterno e lo spessore dell'accessorio montato devono corrispondere ai dati delle dimensioni dell'elettrotensile in dotazione. In caso di utilizzo di portautensili ed accessori di dimensioni sbagliate non sarà possibile schermarli oppure controllarli a sufficienza.

f) Dischi abrasivi, flange, platorelli oppure altri portautensili ed accessori devono adattarsi perfettamente al mandrino portamolà dell'elettrotensile in dotazione. Portautensili ed accessori che non si adattano perfettamente al mandrino portamolà dell'elettrotensile non ruotano in modo uniforme, vibrano molto forte e possono provocare la perdita del controllo.

g) Non utilizzare mai portautensili od accessori danneggiati. Prima di ogni utilizzo controllare i portautensili e gli accessori ed accertarsi che il platorello non sia soggetto ad incrinature. Se l'elettrotensile oppure l'accessorio impiegato dovesse sfuggire dalla mano e cadere, accertarsi che questo non abbia subito nessun danno oppure utilizzare un accessorio intatto. Una volta controllato e montato il portautensile o accessorio, far funzionare l'elettrotensile per la durata di un minuto con il numero massimo di giri avendo cura di tenersi lontani e di impedire anche ad altre persone presenti di avvicinarsi ai portautensili o accessorio in rotazione. Nella maggior parte dei casi i portautensili o accessori danneggiati si rompono nel corso di questo periodo di prova.

h) Indossare abbigliamento di protezione. A seconda dell'applicazione in corso utilizzare una visiera completa, maschera di protezione per gli occhi oppure occhiali di sicurezza. Per quanto necessario, portare maschere per polveri, protezione acustica, guanti di protezione oppure un grembiule speciale in grado di proteggervi da piccole particelle di levigatura o di materiale. Gli occhi dovrebbero essere protetti da corpi estranei espulsi in aria nel corso di diverse applicazioni. La maschera antipolvere e la maschera respiratoria devono essere in grado di filtrare la polvere provocata durante l'applicazione.

Esponendosi per lungo tempo ad un rumore troppo forte vi è il pericolo di perdere l'udito.

i) Avere cura di evitare che altre persone possano avvicinarsi alla zona in cui si sta lavorando. Ogni persona che entra nella zona di operazione deve indossare un abbigliamento protettivo personale. Frammenti del pezzo in lavorazione oppure utensili rotti possono volar via oppure provocare incidenti anche al di fuori della zona diretta di lavoro.

j) Quando si eseguono lavori in cui vi è pericolo che l'accessorio impiegato possa arrivare a toccare cavi elettrici nascosti oppure anche il cavo elettrico della macchina stessa, tenere l'elettrotensile afferrandolo sempre alle superfici di impugnatura isolate. Un contatto con un cavo elettrico mette sotto tensione anche le parti in metallo dell'elettrotensile e provoca quindi una scossa elettrica.

k) Tenere il cavo di collegamento elettrico sempre lontano da portautensili o accessori in rotazione. Se si perde il controllo sull'elettrotensile vi è il pericolo di troncarsi o di colpire il cavo di collegamento elettrico e la Vostra mano o braccio può arrivare a toccare il portautensile o accessorio in rotazione.

l) Mai poggiare l'elettrotensile prima che il portautensile o l'accessorio impiegato non si sia fermato completamente. L'utensile in rotazione può entrare in contatto con la superficie di appoggio facendoVi perdere il controllo sulla macchina pneumatica.

m) Mai trasportare l'elettrotensile mentre questo dovesse essere ancora in funzione. Attraverso un contatto casuale l'utensile in rotazione potrebbe fare presa sugli indumenti oppure sui capelli dell'operatore e potrebbe arrivare a ferire seriamente il corpo dell'operatore.

n) Pulire regolarmente le feritoie di ventilazione dell'elettrotensile in dotazione. Il ventilatore del motore attira polvere nella carcassa ed una forte raccolta di polvere di metallo può provocare pericoli di origine elettrica.

o) Non utilizzare mai l'elettrotensile nelle vicinanze di materiali infiammabili. Le scintille possono far prendere fuoco questi materiali.

p) Non utilizzare mai accessori che richiedano refrigeranti liquidi. L'utilizzo di acqua o di altri liquidi refrigeranti può provocare una scossa di corrente elettrica.

Contraccolpo e relative avvertenze di pericolo

Un contraccolpo è l'improvvisa reazione in seguito ad agganciamento oppure blocco di accessorio in rotazione come può essere un disco abrasivo, piatto, spazzola metallica ecc.. Agganciandosi oppure bloccandosi il portautensile o accessorio provoca un arresto improvviso della rotazione dello stesso. In questo caso l'operatore non è più in grado di controllare l'elettrotensile ed al punto di blocco si provoca un rimbalzo dello stesso che avviene nella direzione opposta a quella della rotazione del portautensile o dell'accessorio. Se p. es. un disco abrasivo resta agganciato o bloccato nel pezzo in lavorazione, il bordo del disco abrasivo che si abbassa nel pezzo in lavorazione può rimanere impigliato provocando in questo modo una rottura oppure un contraccolpo del disco abrasivo. Il disco abrasivo si avvicina o si allontana dall'operatore a seconda della direzione di rotazione che ha nel momento in cui si blocca. Un contraccolpo è la conseguenza di un utilizzo non appropriato oppure non corretto dell'elettrotensile. Esso può essere evitato soltanto prendendo misure adatte di sicurezza come dalla descrizione che segue.

a) Tenere sempre ben saldo l'elettrotensile e portare il proprio corpo e le proprie braccia in una posizione che Vi permetta di compensare le forze di contraccolpo. Se disponibile, utilizzare sempre l'impugnatura supplementare in modo da poter avere sempre il maggior controllo possibile su forze di contraccolpi oppure momenti di reazione che si sviluppano durante la fase in cui la macchina raggiunge il regime di pieno carico. Prendendo appropriate misure di precauzione l'operatore può essere in grado di tenere sotto controllo le forze di contraccolpo e quelle di reazione a scatti.

b) Mai avvicinare la propria mano alla zona degli utensili in rotazione. Nel corso dell'azione di contraccolpo il portautensile o accessorio potrebbe passare sulla Vostra mano.

c) Evitare di avvicinarsi con il proprio corpo alla zona in cui l'elettrotensile viene mosso in caso di un contraccolpo. Un contraccolpo provoca uno spostamento improvviso dell'elettrotensile che si sviluppa nella direzione opposta a quella della rotazione della mola abrasiva al punto di blocco.

d) Operare con particolare attenzione in prossimità di spigoli, spigoli taglienti ecc.. Avere cura di impedire che portautensili o accessori possano rimbalzare dal pezzo in lavorazione oppure possano rimanervi bloccati. L'utensile in rotazione ha la tendenza a rimanere bloccato in angoli, spigoli taglienti oppure in caso di rimbalzo. Ciò provoca una perdita del controllo oppure un contraccolpo.

e) Non utilizzare seghe a catena e neppure lame dentellate. Questo tipo di accessori provocano spesso un contraccolpo oppure la perdita del controllo sull'elettrotensile.

SE 12 180:
Avvertenze di pericolo specifiche per lavori di levigatura con carta vetro

a) Non utilizzare mai fogli abrasivi troppo grandi ma attenersi alle indicazioni del rispettivo produttore relative alle dimensioni dei fogli abrasivi. Fogli abrasivi che dovessero sporgere oltre il piatto possono provocare incidenti oppure blocchi, strappi dei fogli abrasivi oppure contraccolpi.

PE 150:
Avvertenze di pericolo specifiche per operazioni di lucidatura

a) Evitare assolutamente che parti della cappa lucidatura restino staccate e prestare in modo particolare attenzione alle cordicelle di fissaggio. Raccogliere per bene oppure tagliare le cordicelle di fissaggio ad una lunghezza adatta. Cordicelle di fissaggio che girino con la cappa possono far presa sulle dita dell'operatore oppure rimanere impigliate nel pezzo in lavorazione.

Gli apparecchi mobili usati all'aperto devono essere collegati interponendo un interruttore di sicurezza (FI, RCD, PRCD) per guasti di corrente.

Non rimuovere trucioli o schegge mentre l'utensile è in funzione.

Inserire la spina solo con interruttore su posizione "OFF".

Non entrare nel raggio d'azione dell'utensile mentre è in funzione.

Utilizzare sempre l'impugnatura laterale.

Disinserire immediatamente la macchina in caso che si verificano delle forti oscillazioni oppure se si riscontrano altri difetti. Controllare la macchina per cercare di identificarne le cause.

Utilizzare e conservare le mole abrasive conformemente alle indicazioni della casa costruttrice.

Smerigliando metalli si producono scintille. Attenzione a non mettere in pericolo l'incolumità di persone. Per via del pericolo di incendio, nessun tipo di materiale infiammabile può trovarsi nelle vicinanze (potenziale raggio delle scintille). Non utilizzare aspirapolveri.

Tenere sempre l'utensile in modo tale che le scintille e polveri di molatura volino lontano dal corpo.

Il dado flangiato deve essere serrato prima dell'utilizzo della macchina.

Il pezzo in lavorazione deve essere ben bloccato in posizione a meno che non resti stabile per via del proprio peso. Mai applicare a mano sulla mola il pezzo in lavorazione.

In condizioni di utilizzo estreme (ad es. nella rettifica liscia di metalli con il piatto di appoggio e dischi smerigliatori in fibra vulcanizzata) si può accumulare molta sporcizia all'interno della smerigliatrice angolare. Con simili condizioni di utilizzo, per motivi di sicurezza, è necessaria una pulizia a fondo all'interno per eliminare i depositi di metallo ed è assolutamente indispensabile inserire un interruttore di sicurezza per corrente di guasto a monte. Quando scatta l'interruttore di sicurezza la macchina va spedita alla riparazione.

Per gli utensili previsti per il montaggio con mola con foro filettato, verificare che la filettatura della mola sia sufficientemente lunga da consentire l'inserimento del mandrino.

UTILIZZO CONFORME

PE 150: Il lucidatore può essere usato per lucidare vernici, rivestimenti, plastiche o altre superfici lisce.

SE 12 180: La macchina è adatta per trattare superfici piane di legno, plastica e metallo.

Utilizzare il prodotto solo per l'uso per cui è previsto.

LIMITAZIONE DELLA CORRENTE D'AVVIAMENTO + AVVIAMENTO GRADUALE

La corrente d'avviamento della macchina ha un valore multiplo della corrente nominale. Mediante la limitazione della corrente d'avviamento, essa viene ridotta in modo da non causare lo sgancio dell'interruttore automatico (da 16 A).

Avviamento elettronico graduale, non brusco, per garantire una presa più sicura

ELETRONICA

L'elettronica regola l'assorbimento di corrente in base al carico.

In caso di sovraccarico l'elettronica provvede a ridurre l'assorbimento di corrente fino a che non viene ridotto il carico, la macchina procede lentamente. A seguito dello spegnimento il motore si raffredda e alla riaccensione riparte normalmente.

PROTEZIONE CONTRO IL RIAVVIO

Interruttore di sicurezza che previene l'avviamento accidentale dell'utensile dopo una interruzione di corrente nella rete elettrica. Per ripristinare il funzionamento, riportare l'interruttore in posizione di spento e quindi premere nuovamente l'interruttore.

DICHIARAZIONE DI CONFORMITÀ CE

Dichiaro sotto la nostra esclusiva responsabilità che il prodotto descritto ai "Dati tecnici" corrisponde a tutte le disposizioni delle direttive 2011/65/EU (RoHS), 2006/42/CE, 2004/108/CE (fino a 19 Aprile 2016), 2014/30/UE (fino a 20 Aprile 2016) e successivi documenti normativi armonizzati:

EN 60745-1:2009+A11:2010
EN 60745-2-3:2011+A2:2013+A11:2014+A12:2014+A13:2015
EN 55014-1:2006+A1:2009+A2:2011
EN 55014-2:1997+A1:2001+A2:2008
EN 61000-3-2:2014
EN 61000-3-3:2013
EN 50581:2012

Winnenden, 2016-02-08



Alexander Krug
Managing Director



Autorizzato alla preparazione della documentazione tecnica

Techtronic Industries GmbH
Max-Eyth-Straße 10
71364 Winnenden
Germany

COLLEGAMENTO ALLA RETE

Connettere solo corrente alternata mono fase e solo al sistema di voltaggio indicato sulla piastra. E' possibile anche connettere la presa senza un contatto di messa a terra così come prevede lo schema conforme alla norme di sicurezza di classe II.

MANUTENZIONE

Tener sempre ben pulite le fessure di ventilazione dell'apparecchio.

Utilizzare esclusivamente accessori e pezzi di ricambio AEG.
L'installazione di pezzi di ricambio non specificamente prescritti

dall'AEG va preferibilmente effettuata dal servizio di assistenza clienti AEG (ved. opuscolo Garanzia/Indirizzi Assistenza tecnica).

In caso di necessità è possibile richiedere un disegno esploso del dispositivo indicando il modello della macchina ed il numero a sei cifre sulla targa di potenza rivolgendosi al centro di assistenza tecnica o direttamente a Techtronic Industries GmbH, Max-Eyth-Straße 10, 71364 Winnenden, Germany.

SIMBOLI



ATTENZIONE! AVVERTENZA! PERICOLO!



Prima di effettuare qualsiasi lavoro sulla macchina togliere la spina dalla presa di corrente.



Leggere attentamente le istruzioni per l'uso prima di mettere in funzione l'elettrotensile.



Durante l'uso dell'apparecchio utilizzare sempre gli occhiali di protezione.



Indossare guanti protettivi!



Non applicare forza.



Accessorio - Non incluso nella dotazione standard, disponibile a parte come accessorio.



I dispositivi elettrici non devono essere smaltiti con i rifiuti domestici. I dispositivi elettrici ed elettronici devono essere raccolti separatamente e devono essere conferiti ad un centro di riciclaggio per lo smaltimento rispettoso dell'ambiente. Chiedere alle autorità locali o al rivenditore specializzato dove si trovano i centri di riciclaggio e i punti di raccolta.



Utensile elettrico di classe di protezione II. Utensile elettrico sul quale la protezione contro la folgorazione elettrica non dipende soltanto dall'isolamento di base, ma anche dall'applicazione di ulteriori misure di protezione, come il doppio isolamento o l'isolamento maggiorato. Non è predisposto il collegamento di un conduttore di protezione.



Marchio CE



Regulatory Compliance Mark (RCM). Il prodotto soddisfa le prescrizioni in vigore.



Simbolo di conformità nazionale Ucraina



Marchio di conformità EurAsian

DATOS TÉCNICOS	Pulidora/Lijadora	PE 150	SE 12-180
Número de producción	4552 16 01.....	4552 20 01.....	4552 20 01.....
Potencia de salida nominal.....	1200 W.....	1200 W.....	1200 W.....
Potencia entregada	600 W.....	600 W.....	600 W.....
Revoluciones nominales.....	900-2500 min ⁻¹	1800-4800 min ⁻¹	1800-4800 min ⁻¹
Máx. revoluciones nominales	4700 min ⁻¹	9000 min ⁻¹	9000 min ⁻¹
Diám. disco de amolado	150 mm.....	180 mm.....	180 mm.....
Rosca de eje de trabajo.....	M 14.....	M 14.....	M 14.....
Peso de acuerdo con el procedimiento EPTA 01/2003	2,1 kg.....	2,5 kg.....	2,5 kg.....

Información sobre ruidos / vibraciones

Determinación de los valores de medición según norma EN 60 745.
El nivel de ruido típico del aparato determinado con un filtro A corresponde a:

Presión acústica (Tolerancia K=3dB(A)).....	82 dB(A).....	82 dB(A).....
Resonancia acústica (Tolerancia K=3dB(A)).....	93 dB(A).....	93 dB(A).....

Usar protectores auditivos!

Nivel total de vibraciones (suma vectorial de tres direcciones) determinado según EN 60745.

Pulido: valor emisiones de vibración a _v	3 m/s ²	- m/s ²
Tolerancia K =	1,5 m/s ²	- m/s ²
Rectificar con plato de rectificad de plástico: valor emisiones de vibración a _v	- m/s ²	3,3 m/s ²
Tolerancia K =	- m/s ²	1,5 m/s ²

ADVERTENCIA

El nivel vibratorio indicado en estas instrucciones ha sido medido conforme a un método de medición estandarizado en la norma EN 60745, y puede utilizarse para la comparación entre herramientas eléctricas. También es apropiado para una estimación provisional de la carga de vibración.

El nivel vibratorio indicado representa las aplicaciones principales de la herramienta eléctrica. Si, pese a ello, se utiliza la herramienta eléctrica para otras aplicaciones, con útiles adaptables diferentes o con un mantenimiento insuficiente, el nivel vibratorio puede diferir. Esto puede incrementar sensiblemente la carga de vibración durante todo el periodo de trabajo.

Para una estimación exacta de la carga de vibración deberían tenerse en cuenta también los tiempos durante los que el aparato está apagado o, pese a estar en funcionamiento, no está siendo realmente utilizado. Esto puede reducir sustancialmente la carga de vibración durante todo el periodo de trabajo.

Adopte medidas de seguridad adicionales para la protección del operador frente al efecto de las vibraciones, como por ejemplo: mantenimiento de la herramienta eléctrica y de los útiles adaptables, mantener las manos calientes, organización de los procesos de trabajo.

ADVERTENCIA! Rogamos leer las indicaciones de seguridad y las instrucciones, también las que contiene el folleto adjunto. En caso de no atenderse a las advertencias de peligro e instrucciones siguientes, ello puede ocasionar una descarga eléctrica, un incendio y/o lesión grave. **Guardar todas las advertencias de peligro e instrucciones para futuras consultas.**

INSTRUCCIONES DE SEGURIDAD PULIDORA/LIJADORA

Advertencias de peligro generales al realizar trabajos lijar y pulir:

a) Esta herramienta eléctrica ha sido concebida para pulir (sólo PE 150) y lijar (sólo SE 12 180). Observe todas las advertencias de peligro, instrucciones, ilustraciones y especificaciones técnicas que se suministran con la herramienta eléctrica. En caso de no atenderse a las instrucciones siguientes, ello puede provocar una electrocución, incendio y/o lesiones serias.

b) Esta herramienta eléctrica no es adecuada para esmerilar con papel de lija (sólo PE 150) ni para pulir (sólo SE 12 180), tronzado y rectificad de desbaste y trabajar con cepillo de alambre. El uso de la herramienta para un fin no previsto puede conllevar riesgos y causar heridas.

c) No emplee accesorios diferentes de aquellos que el fabricante haya previsto o recomendado especialmente para esta herramienta eléctrica. El mero hecho de que sea compatible un accesorio a su herramienta eléctrica no implica que su utilización resulte segura.

d) Las revoluciones admisibles del útil deberán ser como mínimo iguales a las revoluciones máximas indicadas en la herramienta eléctrica. Aquellos accesorios que giren a

unas revoluciones mayores a las admisibles pueden llegar a romperse y salir despedidos.

e) El diámetro exterior y el grosor del útil deberán corresponder con las medidas indicadas para su herramienta eléctrica. Los útiles de dimensiones incorrectas no pueden protegerse ni controlarse con suficiente seguridad.

f) Los orificios de los discos amoladores, bridas, platos lijadores u otros útiles deberán alojar exactamente sobre el husillo de su herramienta eléctrica. Los útiles que no ajusten correctamente sobre el husillo de la herramienta eléctrica, al girar descentrados, generan unas vibraciones excesivas y pueden hacerle perder el control sobre el aparato.

g) No use útiles dañados. Antes de cada uso inspeccione el estado de los útiles con el fin de detectar, p. ej. si está agrietado o muy desgastado el plato lijador. Si se le cae la herramienta eléctrica o el útil, inspeccione si han sufrido algún daño o monte otro útil en correctas condiciones. Una vez controlado y montado el útil sitúese Vd. y las personas circundantes fuera del plano de rotación del útil y deje funcionar la herramienta eléctrica en vacío, a las revoluciones máximas, durante un minuto. Por lo regular, aquellos útiles que estén dañados suelen romperse al realizar esta comprobación.

h) Utilice un equipo de protección personal. Dependiendo del trabajo a realizar use una careta, una protección para los ojos, o unas gafas de protección. Si procede, emplee una mascarilla antipolvo, protectores auditivos, guantes de protección o un mandil especial adecuado para protegerle de los pequeños fragmentos que pudieran salir proyectados al desprenderse del útil o pieza. Las gafas de protección deberán ser indicadas para protegerle de los fragmentos que pudieran salir despedidos al trabajar. La mascarilla antipolvo o respiratoria deberá ser apta para filtrar

las partículas producidas al trabajar. La exposición prolongada al ruido puede provocar sordera.

i) Cuidé que las personas en las inmediaciones se mantengan a suficiente distancia de la zona de trabajo.

Toda persona que acceda a la zona de trabajo deberá utilizar un equipo de protección personal. Podrían ser lesionadas, incluso fuera del área de trabajo inmediato, al salir proyectados fragmentos de la pieza de trabajo o del útil.

j) Únicamente sujete el aparato por las empuñaduras aisladas al realizar trabajos en los que el útil pueda tocar conductores eléctricos ocultos o el propio cable del aparato. El contacto con conductores portadores de tensión puede hacer que las partes metálicas del aparato le provoquen una descarga eléctrica.

k) Mantenga el cable de red alejado del útil en funcionamiento. En caso de que Vd. pierda el control sobre la herramienta eléctrica puede llegar a cortarse o enredarse el cable de red con el útil y lesionarle su mano o brazo.

l) Jamás deposite la herramienta eléctrica antes de que el útil se haya detenido por completo. El útil en funcionamiento puede llegar a tocar la base de apoyo y hacerle perder el control sobre la herramienta eléctrica.

m) No deje funcionar la herramienta eléctrica mientras la transporta. El útil en funcionamiento podría lesionarle al engancharse accidentalmente con su vestimenta.

n) Limpie periódicamente las rejillas de refrigeración de su herramienta eléctrica. El ventilador del motor aspira polvo hacia el interior de la carcasa, por lo que, en caso de una acumulación fuerte de polvo metálico, ello puede provocarle una descarga eléctrica.

o) No utilice la herramienta eléctrica cerca de materiales combustibles. Las chispas producidas al trabajar pueden llegar a incendiar estos materiales.

p) No emplee útiles que requieran ser refrigerados con líquidos. La aplicación de agua u otros refrigerantes líquidos puede comportar una descarga eléctrica.

Causas del rechazo y advertencias al respecto

El rechazo es un reacción brusca que se produce al atascarse o engancharse el útil, como un disco de amolar, plato lijador, cepillo, etc. Al atascarse o engancharse el útil en funcionamiento, éste es frenado bruscamente. Ello puede hacerle perder el control sobre la herramienta eléctrica y hacer que ésta salga impulsada en dirección opuesta al sentido de giro que tenía el útil.

En el caso, p. ej., de que un disco amolador se atasque o bloquee en la pieza de trabajo, puede suceder que el canto del útil que penetra en el material se enganche, provocando la rotura del útil o el rechazo del aparato. Según el sentido de giro y la posición del útil en el momento de bloquearse puede que éste resulte despedido hacia, o en sentido opuesto al usuario. El rechazo es ocasionado por la aplicación o manejo incorrecto de la herramienta eléctrica. Es posible evitarlo ateniéndose a las medidas preventivas que a continuación se detallan.

a) Sujete con firmeza la herramienta eléctrica y mantenga su cuerpo y brazos en una posición propicia para resistir las fuerzas de reacción. Si forma parte del aparato, utilice siempre la empuñadura adicional para poder soportar mejor las fuerzas del rechazo, además de los pares de reacción que se presentan en la puesta en marcha. El usuario puede controlar las fuerzas del rechazo y de reacción si toma unas medidas preventivas oportunas.

b) Jamás aproxime su mano al útil en funcionamiento. En caso de un rechazo, el útil podría lesionarle la mano.

c) No se sitúe dentro del área hacia el que se movería la herramienta eléctrica al ser rechazada. Al resultar rechazada, la herramienta eléctrica saldrá despedida desde el punto de bloqueo en dirección opuesta al sentido de giro del útil.

d) Tenga especial precaución al trabajar esquinas, cantos afilados, etc. Evite que el útil de amolar rebote contra la pieza de trabajo o que se atasque. En las esquinas, cantos

afilados, o al rebotar, el útil en funcionamiento tiende a atascarse. Ello puede hacerle perder el control o causar un rechazo del útil.

e) No utilice hojas de sierra para madera ni otros útiles dentados. Estos útiles son propensos al rechazo y pueden hacerle perder el control sobre la herramienta eléctrica.

SE 12 180:

Instrucciones de seguridad específicas para trabajos con hojas lijadoras

a) No use hojas lijadoras más grandes que el soporte, ateniéndose para ello a las dimensiones que el fabricante recomienda. Las hojas lijadoras de un diámetro mayor que el plato lijador pueden provocar un accidente, fisurarse, o provocar un rechazo.

PE 150:

Instrucciones de seguridad específicas para pulido

a) Evite partes sueltas en la caperuza para pulir, especialmente el cordón de sujeción. Recoja o corte los cabos del cordón de sujeción. Los cabos del cordón pueden engancharse con sus dedos o en la pieza de trabajo.

Conecte siempre la máquina a una red protegida por interruptor diferencial y magnetotérmico (FI, RCD, PRCD), para su seguridad personal, según normas establecidas para instalaciones eléctricas de baja tensión.

Nunca se debe intentar limpiar el polvo o viruta procedente del taladrado con la máquina en funcionamiento.

Enchufar la máquina a la red solamente en posición desconectada.

No manipular en el rodillo ni en las cuchillas con la máquina conectada.

Emplear siempre el asidero adicional.

Desconectar inmediatamente el aparato al presentarse vibraciones fuertes u otras anomalías. Examine la máquina para determinar las posibles causas.

Utilice y guarde siempre los discos de amolar según las indicaciones del fabricante.

Al amolar metales se proyectan chispas. Cuidar de no poner en peligro a personas. Debido al peligro de incendio no deben encontrarse cerca (en el área de alcance de las chispas) materiales inflamables. No utilice extracción de polvo en este caso.

Tenga cuidado para que no le salten chispas ni virutas de la pieza de trabajo.

La fuerza de apriete se debe asegurar antes de comenzar a trabajar con la máquina.

La pieza de trabajo debe fijarse adecuadamente, a no ser que se mantenga bien fija por su propio peso. Jamás aproxime una pieza al disco, sujetándola con la mano.

En caso de condiciones de funcionamiento extremas (p. ej. pulido de metales con el plato soporte y discos abrasivos de fibra vulcanizada) se puede acumular mucha suciedad en el interior de la amoladora angular. En estas condiciones es necesario realizar, por motivos de seguridad, una limpieza profunda de las acumulaciones metálicas en el interior y debe conectarse obligatoriamente un interruptor de protección de corriente diferencial (FI). Si salta el interruptor de protección FI debe enviarse la máquina para su reparación.

En las herramientas que llevan una muela con agujero roscado, cerciórese de que la rosca en la muela es lo suficientemente larga para aceptar la longitud del vástago.

APLICACIÓN DE ACUERDO A LA FINALIDAD

PE 150: La pulidora puede utilizarse para pulir lacados, barnices, plásticos y otras superficies

SE 12 180: La máquina está diseñada para lijar madera, plástico y metal.

No utilice este producto para ninguna otra aplicación que no sea su uso normal.

LIMITACIÓN DE LA CORRIENTE DE ARRANQUE + ARRANQUE SUAVE

La corriente de conexión de la máquina es igual a un múltiplo de la corriente nominal. Mediante la limitación de la corriente de arranque la corriente de conexión se reduce hasta tal punto que los fusibles (16 A, lentos) no llegan a actuar.

Arranque suave electrónico, para una segura manejabilidad, evita un brusco retceso al conectar la máquina.

ELECTRÓNICA

La velocidad de rotación se ajusta electrónicamente cuando aumenta la carga.

En caso de un período más largo de sobrecarga, la velocidad disminuye electrónicamente. La máquina continúa funcionando a bajas revoluciones para enfriar el devanado del motor. Después de refrigerarse convenientemente, desconecte y conecte nuevamente. La máquina se puede usar a la carga nominal.

PROTECCIÓN CONTRA EL REARRANQUE

El interruptor de tensión nula evita que la máquina arranque de nuevo después de una corte de corriente. Para volver a reanudar el trabajo desconectar la máquina y volver a conectarla.

DECLARACION DE CONFORMIDAD CE

Declaramos bajo nuestra responsabilidad que el producto descrito bajo "Datos técnicos" está en conformidad con todas las normas relevantes de la directiva 2011/65/EU (RoHs), 2006/42/CE, 2004/108/CE (hasta 19 Abril 2016), 2014/30/UE (desde 20 Abril 2016) y con las siguientes normas o documentos normalizados:

EN 60745-1:2009+A11:2010
EN 60745-2-3:2011+A2:2013+A11:2014+A12:2014+A13:2015
EN 55014-1:2006+A1:2009+A2:2011
EN 55014-2:1997+A1:2001+A2:2008
EN 61000-3-2:2014
EN 61000-3-3:2013
EN 50581:2012

Winnenden, 2016-02-08


Alexander Krug
Managing Director



Autorizado para la redacción de los documentos técnicos.

Techtronic Industries GmbH
Max-Eyth-Straße 10
71364 Winnenden
Germany

CONEXIÓN ELÉCTRICA

Conectar solamente a corriente AC monofásica y sólo al voltaje indicado en la placa de características. También es posible la conexión a enchufes sin toma a tierra, dado que es conforme a la Clase de Seguridad II

MANTENIMIENTO

Las ranuras de ventilación de la máquina deben estar despejadas en todo momento.

Solo se deben utilizar accesorios y piezas de repuestos AEG. Piezas cuyo recambio no está descrito en las instrucciones de uso, deben sustituirse en un centro de asistencia técnica AEG (Consulte el folleto Garantía/Direcciones de Centros de Asistencia Técnica).

Puede solicitar, en caso necesario, una vista despiezada del aparato bajo indicación del tipo de máquina y el número de

seis dígitos en la placa indicadora de potencia en su Servicio de Postventa o directamente en Techtronic Industries GmbH, Max-Eyth-Straße 10, 71364 Winnenden, Germany.

SÍMBOLOS



¡ATENCIÓN! ¡ADVERTENCIA! ¡PELIGRO!



Desconecte siempre el enchufe antes de llevar a cabo cualquier trabajo en la máquina.



Lea las instrucciones detenidamente antes de conectar la herramienta



Para trabajar con la máquina, utilizar siempre gafas de protección.



Usar guantes protectores



No aplique fuerza.



Accesorio - No incluido en el equipo estándar, disponible en la gama de accesorios.



Los aparatos eléctricos no se deben eliminar junto con la basura doméstica. Los aparatos eléctricos y electrónicos se deben recoger por separado y se deben entregar a una empresa de reciclaje para una eliminación respetuosa con el medio ambiente. Infórmese en las autoridades locales o en su tienda especializada sobre los centros de reciclaje y puntos de recogida.



Herramienta eléctrica de la clase de protección II. Herramientas eléctricas, en las que la protección contra un choque eléctrico no depende solamente del aislamiento básico sino también de la aplicación de medidas adicionales de protección, como doble aislamiento o aislamiento reforzado. No existe dispositivo para la conexión de un conductor protector.



Marca CE



Regulatory Compliance Mark (RCM). El producto cumple las normas vigentes



Marca de conformidad nacional de Ucrania



certificado EAC de conformidad

CARACTERÍSTICAS TÉCNICAS

	Polidora/Lixadora	PE 150	SE 12-180
Número de produção.....	4552 16 01.....	4552 20 01.....	4552 20 01.....
Potência absorvida nominal.....	1200 W.....	1200 W.....	1200 W.....
Potência de saída.....	600 W.....	600 W.....	600 W.....
Número de rotações nominal.....	900-2500 min ⁻¹	1800-4800 min ⁻¹	1800-4800 min ⁻¹
Máx. número de rotações nominal.....	4700 min ⁻¹	9000 min ⁻¹	9000 min ⁻¹
Diâmetro do disco.....	150 mm.....	180 mm.....	180 mm.....
Rosca do veio de trabalho.....	M 14.....	M 14.....	M 14.....
Peso nos termos do procedimento-EPTA 01/2003.....	2,1 kg.....	2,5 kg.....	2,5 kg.....

Informações sobre ruído/vibração

Valores de medida de acordo com EN 60 745.

O nível de ruído avaliado A do aparelho é tipicamente:

Nível da pressão de ruído (Incertez K=3dB(A)).....	82 dB(A).....	82 dB(A).....
Nível da potência de ruído (Incertez K=3dB(A)).....	93 dB(A).....	93 dB(A).....

Use protectores auriculares!

Valores totais de vibração (soma dos vectores das três direcções) determinadas conforme EN 60745.

Polir: Valor de emissão da vibração a _h	3 m/s ²	- m/s ²
Incerteza K =.....	1,5 m/s ²	- m/s ²
Desbaste com disco de desbaste em plástico: Valor de emissão da vibração a _h	- m/s ²	3,3 m/s ²
Incerteza K =.....	- m/s ²	1,5 m/s ²

ATENÇÃO

O nível vibratório indicado nestas instruções foi medido em conformidade com um procedimento de medição normalizado na EN 60745 e pode ser utilizado para comparar entre si ferramentas eléctricas. O mesmo é também adequado para avaliar provisoriamente o esforço vibratório.

O nível vibratório indicado representa as principais aplicações da ferramenta eléctrica. Se, no entanto, a ferramenta eléctrica for utilizada para outras aplicações, com outras ferramentas adaptadas ou uma manutenção insuficiente, o nível vibratório poderá divergir. Isto pode aumentar consideravelmente o esforço vibratório ao longo de todo o período do trabalho.

Para uma avaliação exacta do esforço vibratório devem também ser considerados os tempos durante os quais o aparelho está desligado ou está a funcionar, mas não está efectivamente a ser utilizado. Isto pode reduzir consideravelmente o esforço vibratório ao longo de todo o período do trabalho.

Defina medidas de segurança suplementares para proteger o operador do efeito das vibrações, como por exemplo: manutenção da ferramenta eléctrica e das ferramentas adaptadas, manter as mãos quentes, organização das sequências de trabalho.

⚠ ATENÇÃO! Leia todas as instruções de segurança e todas as instruções, também aquelas que constam na brochura junta. O desrespeito das advertências e instruções apresentadas abaixo pode causar choque eléctrico, incêndio e/ou graves lesões.

Guarde bem todas as advertências e instruções para futura referência.

INSTRUÇÕES DE SEGURANÇA POLIDORA/LIXADORA

Indicações de aviso gerais para lixar com lixa de papel e polir:

a) Esta ferramenta eléctrica pode ser utilizada para polir (só nos PE 150) e lixadeira com lixa de papel (só nos SE 12 180). Observar todas as indicações de aviso, instruções, apresentações e dados fornecidos com a ferramenta eléctrica. O desrespeito das seguintes instruções pode levar a um choque eléctrico, incêndio e/ou graves lesões.

b) Esta ferramenta eléctrica não é adequada para lixar com lixa de papel (só nos PE 150), para polir (só nos SE 12 180), rectificação de corte e desbaste e escovas de arame. Utilizações, para as quais a máquina não tenha sido prevista, podem causar perigos e ferimentos.

c) Não utilizar acessórios, que não foram especialmente previstos e recomendados pelo fabricante para serem utilizados com esta ferramenta eléctrica. O facto de poder fixar o acessório a esta ferramenta eléctrica, não garante uma aplicação segura.

d) O número de rotação admissível da ferramenta de trabalho deve ser no mínimo tão alto quanto o máximo número de rotação indicado na ferramenta eléctrica. Acessórios que giram mais rápido do que permitido, podem quebrar e serem atirados para longe.

e) O diâmetro exterior e a espessura da ferramenta de trabalho devem corresponder às indicações de medida da sua ferramenta eléctrica. Ferramentas de trabalho incorrectamente medidas podem não ser suficientemente blindadas nem controladas.

f) Discos abrasivos, flanges, pratos abrasivos ou outros acessórios devem caber exactamente no veio de rectificação da sua ferramenta eléctrica. Ferramentas de trabalho, que não cabem exactamente no veio de rectificação da ferramenta eléctrica, giram irregularmente, vibram fortemente e podem levar à perda de controlo.

g) Não utilizar ferramentas de trabalho danificadas. Antes de cada utilização deverá verificar se por exemplo os se pratos abrasivos apresentam fissuras, se há desgaste ou forte atrição. Se a ferramenta eléctrica ou a ferramenta de trabalho caírem, deverá verificar se sofreram danos, ou trocar por uma ferramenta de trabalho intacta. Após ter controlado e introduzido a ferramenta de trabalho, deverá manter-se, e as pessoas que se encontrem nas proximidades, fora do nível de rotação da ferramenta de trabalho e permitir que a ferramenta eléctrica funcione durante um minuto com o máximo número de rotação. A maioria das ferramentas de trabalho danificadas quebram durante este período de teste.

h) Utilizar um equipamento de protecção pessoal. De acordo com a aplicação, deverá utilizar uma protecção para todo o rosto, protecção para os olhos ou um óculos protector. Se for necessário, deverá utilizar uma máscara contra pó, protecção auricular, luvas de protecção ou um avental especial, para proteger-se de pequenas partículas de amoladura e de material. Os olhos devem ser protegidos contra partículas a voar, produzidas durante as diversas aplicações. A máscara contra pó ou a máscara de respiração deve ser capaz de filtrar o pó produzido durante a respectiva aplicação. Se for sujeito durante

longo tempo a fortes ruídos, poderá sofrer a perda da capacidade auditiva.

i) Observe que as outras pessoas mantenham uma distância segura em relação ao seu local de trabalho. Cada pessoa que entrar na área de trabalho, deverá usar um equipamento de protecção pessoal. Estilhaços da peça a ser trabalhada ou ferramentas de trabalho quebradas podem voar e causar lesões fora da área imediata de trabalho.

j) Ao executar trabalhos durante os quais possam ser atingidos cabos eléctricos ou o próprio cabo de rede, deverá sempre segurar a ferramenta eléctrica pelas superfícies isoladas do punho. O contacto com um cabo sob tensão pode colocar peças de metal da ferramenta eléctrica sob tensão e levar a um choque eléctrico.

k) Manter o cabo de rede afastado de ferramentas de trabalho em rotação. Se perder o controlo sobre a ferramenta eléctrica, é possível que o cabo de rede seja cortado ou enganchado e a sua mão ou braço sejam puxados contra a ferramenta de trabalho em rotação.

l) Jamais depositar a ferramenta eléctrica, antes que a ferramenta de trabalho esteja completamente parada. A ferramenta de trabalho em rotação pode entrar em contacto com a superfície de apoio, provocando uma perda de controlo da ferramenta eléctrica.

m) Não permitir que a ferramenta eléctrica funcione enquanto estiver a transportá-la. A sua roupa pode ser agarrada devido a um contacto accidental com a ferramenta de trabalho em rotação, de modo que a ferramenta de trabalho possa ferir o seu corpo.

n) Limpar regularmente as aberturas de ventilação da sua ferramenta eléctrica. A ventoinha do motor puxa pó para dentro da carcaça, e uma grande quantidade de pó de metal pode causar perigos eléctricos.

o) Não utilizar a ferramenta eléctrica perto de materiais inflamáveis. Fiskas podem incendiar estes materiais.

p) Não utilizar ferramentas de trabalho que necessitem agentes de refrigeração líquidos. A utilização de água ou de outros agentes de refrigeração líquidos pode provocar um choque eléctrico.

Contra-golpe e respectivas advertências

Contra-golpe é uma repentina reacção devido a uma ferramenta de trabalho travada ou bloqueada, como por exemplo um disco abrasivo, um prato abrasivo, uma escova de arame etc. Um travamento ou um bloqueio levam a uma parada abrupta da ferramenta de trabalho em rotação. Desta maneira, uma ferramenta eléctrica descontrolada pode ser acelerada no local de bloqueio, sendo forçada no sentido contrário da rotação da ferramenta de trabalho.

Se por exemplo um disco abrasivo travar ou bloquear numa peça a ser trabalhada, o canto do disco abrasivo pode mergulhar na peça a ser trabalhada e encravar-se, quebrando o disco abrasivo ou causando um contra-golpe. O disco abrasivo se movimenta então no sentido do operador ou para longe deste, dependendo do sentido de rotação do disco no local do bloqueio.

Um contra-golpe é a consequência de uma utilização incorrecta ou indevida da ferramenta eléctrica. Ele pode ser evitado por apropriadas medidas de precaução como descrito a seguir.

a) Segurar firmemente a ferramenta eléctrica e posicionar o seu corpo e os braços de modo que possa resistir às forças de um contra-golpe. Sempre utilizar o punho adicional, se existente, para assegurar o máximo controlo possível sobre as forças de um contra-golpe ou sobre momentos de reacção durante o arranque. O operador pode controlar as forças de contra-golpe e as forças de reacção através de medidas de precaução apropriadas.

b) Jamais permita que as suas mãos se encontrem perto de ferramentas de trabalho em rotação. No caso de um contra-golpe a ferramenta de trabalho poderá passar pela sua mão.

c) Evite que o seu corpo se encontre na área, na qual a ferramenta eléctrica possa ser movimentada no caso de um contra-golpe. O contra-golpe força a ferramenta eléctrica no

sentido contrário ao movimento do disco abrasivo no local do bloqueio.

d) Trabalhar com especial cuidado na área ao redor de esquinas, cantos afiados etc. Evite que ferramentas de trabalho sejam ricocheteadas e travadas pela peça a ser trabalhada. A ferramenta de trabalho em rotação tende a travar em esquinas, em cantos afiados ou se for ricocheteada. Isto causa uma perda de controlo ou um contra-golpe.

e) Não utilizar lâminas de serra de correias nem dentadas. Estas ferramentas de trabalho causam frequentemente um contra-golpe ou a perda de controlo sobre a ferramenta eléctrica.

SE 12 180:
Advertências especiais de segurança específicas para lixar com lixa de papel

a) Não utilizar lixas de papel demasiado grandes, mas sempre seguir as indicações do fabricante sobre o tamanho correcto das lixas de papel. Lixas de papel, que sobressaem dos cantos do prato abrasivo, podem causar lesões, assim como bloquear e rasgar as lixas de papel ou levar a um contra-golpe.

PE 150:
Indicações especiais de aviso para polir

a) Não permitir que hajam partes soltas da boina de polimento, principalmente cordões de fixação. Os cordões de fixação devem ser bem arrumados ou cortados. Cordões de fixação soltos e em rotação podem agarrar os seus dedos ou prender-se na peça a ser trabalhada.

Aparelhos não estacionários, utilizados ao ar livre, devem ser protegidos por um disjuntor de corrente de defeito (FI,RCD,PRCD).

Não remover aparas ou lascas enquanto a máquina trabalha.

Ao ligar à rede, a máquina deve estar desligada.

Não introduza as mãos na área perigosa, estando a máquina em funcionamento.

Utilizar sempre o punho lateral.

Desligar imediatamente o aparelho, se ocorrerem grandes oscilações ou se forem observadas outras avarias. Controlar a máquina para determinar a causa.

Sempre utilizar e guardar os discos abrasivos, de acordo com as indicações do fabricante.

Ao lixar metais, voam fiskas. Observe que ninguém seja posto em perigo. Devido ao perigo de incêndio não devem encontrar-se materiais inflamáveis nas proximidades (área de voo de fiskas). Não utilize sistema de extracção de poeiras.

Tome atenção que nem as fiskas nem as poeiras da lixagem geradas na peça de trabalho devem entrar em contacto consigo.

A porca de ajuste deve ser apertada antes de iniciar o trabalho com a máquina.

A peça a ser trabalhada deve ser fixa, caso não esteja firme devido ao seu peso próprio. Jamais conduzir a peça a ser trabalhada em direcção do disco com as mãos.

Em caso de condições extremas de utilização (por ex., ao polir metais com o prato de apoio e rebolos de fibra vulcanizada) pode formar-se uma forte sujidade no interior da lixadora de detalhes. Por motivos de segurança, quando tais condições de utilização se verificarem, é necessário limpar o interior de deposições metálicas e ligar em série um disjuntor de corrente de falha (FI). Depois da reacção do disjuntor-FI, a máquina tem de ser enviada para reparação.

Para as ferramentas a serem montadas com a roda de orifício roscado, certifique-se de que a rosca na roda é suficientemente longa para receber o fuso em todo o seu comprimento.

Para trabalhos de corte deve utilizar-se uma cobertura de protecção fechada, disponível no programa de acessórios.

UTILIZAÇÃO AUTORIZADA

PE 150: A polidora pode ser usada para polir pinturas, revestimentos, plásticos e outras superfícies lisas.

SE 12 180: A máquina pode ser usada para lixar madeira, plásticos ou metal.

Não use este produto de outra maneira sem ser a normal para a qual foi concebido.

LIMITAÇÃO DA CORRENTE DE ARRANQUE + ARRANQUE SUAVE

A corrente de arranque da máquina é um múltiplo da corrente nominal. A limitação de corrente de arranque reduz a corrente de arranque a um valor tal que não faz actuar o fusível (16 A lento).

Arranque suave electrónico para manejo seguro; evita o arranque brusco da máquina ao ligá-la.

ELECTRÓNICA

A electrónica regula o número de rotações no caso de carga ascendente.

A electrónica comuta para um número de rotações reduzido no caso de uma sobrecarga prolongada. A máquina continua a funcionar lentamente para arrefecer o enrolamento do motor. Após ligar e desligar, é possível continuar a trabalhar com a máquina no nível de carga nominal.

PROTECÇÃO DE REÍNICIO

O interruptor de tensão nula evita um reiniciar da máquina depois de uma falha de circuito. Na altura do novo início de trabalho desligar a máquina e ligá-la de novo.

DECLARAÇÃO DE CONFORMIDADE CE

Declaramos sob responsabilidade exclusiva, que o produto descrito sob "Dados técnicos" corresponde com todas as disposições relevantes da diretiva 2011/65/EU (RoHS), 2006/42/CE, 2004/108/CE (até 19 April 2016), 2014/30/UE (desde 20 April 2016) e dos seguintes documentos normativos harmonizados.

EN 60745-1:2009+A11:2010

EN 60745-2-3:2011+A2:2013+A11:2014+A12:2014+A13:2015

EN 55014-1:2006+A1:2009+A2:2011

EN 55014-2:1997+A1:2001+A2:2008

EN 61000-3-2:2014

EN 61000-3-3:2013

EN 50581:2012

Winnenden, 2016-02-08

Alexander Krug
Managing Director



Autorizado a reunir a documentação técnica.

Techtronic Industries GmbH
Max-Eyth-Straße 10
71364 Winnenden
Germany

LIGAÇÃO À REDE

Só conectar à corrente alternada monofásica e só à tensão de rede indicada na placa de potência. A conexão às tomadas de rede sem contacto de segurança também é possível, pois trata-se de uma construção da classe de protecção II.

MANUTENÇÃO

Através dos rasgos de ventilação podem soprar-se com ar comprimido os depósitos de poeira no motor.

Utilizar unicamente acessórios e peças sobresselentes da AEG. Sempre que a substituição de um componente não tenha sido descrita nas instruções, será de toda a conveniência mandar executar esse trabalho a um Serviço de Assistência AEG (veja o folheto Garantia/Endereços de Serviços de Assistência).

Se for necessário, um desenho de explosão do aparelho pode ser solicitado do seu posto de assistência ao cliente ou directamente da Techtronic Industries GmbH, Max-Eyth-Straße 10, 71364 Winnenden, Alemanha, indicando o tipo da máquina e o número de seis posições na chapa indicadora da potência.

SYMBOLE



ATENÇÃO! PERIGO!



Antes de efectuar qualquer intervenção na máquina, tirar a ficha da tomada.



Leia atentamente o manual de instruções antes de colocar a máquina em funcionamento.



Usar sempre óculos de protecção ao trabalhar com a máquina.



Use luvas de protecção!



Não aplique força.



Acessório - Não incluído no equipamento normal, disponível como acessório.



Aparelhos eléctricos não devem ser jogados no lixo doméstico. Aparelhos eléctricos e electrónicos devem ser colectados separadamente e entregues a uma empresa de reciclagem para a eliminação correcta. Solicite informações sobre empresas de reciclagem e postos de colecta de lixo das autoridades locais ou do seu vendedor autorizado.



Ferramenta eléctrica da classe de protecção II. Ferramenta eléctrica, na qual a protecção contra choque eléctrico não só depende do isolamento básico, mas também da aplicação de medidas de protecção suplementares, como isolamento duplo ou reforçado. Não há um dispositivo para a conexão dum condutor de protecção.



Marca CE



Regulatory Compliance Mark (RCM). O produto satisfaz os regulamentos vigentes.



Marca de conformidade nacional da Ucrânia



Marca de conformidade EurAsian.

TECHNISCHE GEGEVENS	Polijstmachine/Schuurmachine	PE 150	SE 12-180
Productienummer	4552 16 01.....	4552 20 01.....
	000001-999999000001-999999
Nominaal afgegeven vermogen	1200 W.....	1200 W.....
Afgegeven vermogen	600 W.....	600 W.....
Nominaal toerental	900-2500 min ⁻¹	1800-4800 min ⁻¹
Max. nominaal toerental	4700 min ⁻¹	9000 min ⁻¹
Slijpschijf-Ø	150 mm.....	180 mm.....
Asaansluiting	M 14.....	M 14.....
Gewicht volgens de EPTA-procedure 01/2003	2,1 kg.....	2,5 kg.....

Geluids-/trillingsinformatie

Meetwaarden vastgesteld volgens EN 60 745.

Het kenmerkende A-gewogen geluidsniveau van de machine bedraagt:

Geluidsdrukniveau (Onzekerheid K=3dB(A))	82 dB(A)	82 dB(A)
Geluidsvermogeniveau (Onzekerheid K=3dB(A))	93 dB(A)	93 dB(A)

Draag oorbeschermers!

Totale trillingswaarden (vectorsom van drie richtingen) bepaald volgens EN 60745.

Polijsten: trillingsemissiewaarde a _h	3 m/s ²	- m/s ²
Onzekerheid K =	1,5 m/s ²	- m/s ²
Slijpen met kunststof slijpschijf: trillingsemissiewaarde a _h	- m/s ²	3,3 m/s ²
Onzekerheid K =	- m/s ²	1,5 m/s ²

WAARSCHUWING

De in deze aanwijzingen vermelde trillingsdruk is gemeten volgens een in EN 60745 genormeerde meetmethode en kan worden gebruikt voor de onderlinge vergelijking van apparaten. Hij is ook geschikt voor een voorlopige inschatting van de trillingsbelasting.

De aangegeven trillingsdruk geldt voor de meest gebruikelijke toepassingen van het elektrische apparaat. Wanneer het elektrische gereedschap echter voor andere doeleinden, met andere dan de voorgeschreven hulpstukken gebruikt of niet naar behoren onderhouden wordt, kan de trillingsdruk afwijken. Dit kan de waarde van de trillingsdruk over de hele werkperiode aanzienlijk verhogen.

Voor een nauwkeurige inschatting van de trillingsdruk moeten ook de tijden in aanmerking worden genomen dat het apparaat uitgeschakeld is of weliswaar loopt, maar niet werkelijk in gebruik is. Dit kan de waarde van de trillingsdruk over de hele werkperiode aanzienlijk verminderen.

Bepaal extra veiligheidsmaatregelen ter bescherming van de bediener tegen de inwerking van trillingen, bijvoorbeeld: onderhoud van elektrische gereedschappen en apparaten, warmhouden van de handen, organisatie van de werkprocessen.

WAARSCHUWING! Lees alle veiligheidsinstructies en aanwijzingen door - ook die in de bijgeleverde brochure. Als de waarschuwingen en voorschriften niet worden opgevolgd, kan dit een elektrische schok, brand of ernstig letsel tot gevolg hebben.

Bewaar alle waarschuwingen en voorschriften voor toekomstig gebruik.

VEILIGHEIDSAADVIEZEN POLIJSTMACHINE/SCHUURMACHINE

Algemene waarschuwingen voor schuren en polijsten:

a) Dit elektrische gereedschap is bestemd voor gebruik als polijstmachine (alleen bij de PE 150) en schuurmachine (alleen bij de SE 12 180). Neem alle waarschuwingen, aanwijzingen, afbeeldingen en gegevens die u bij het elektrische gereedschap ontvangt in acht. Als u de volgende aanwijzingen niet in acht neemt, kunnen een elektrische schok, brand en/of ernstig letsel het gevolg zijn.

b) Dit elektrische gereedschap is niet geschikt voor het schuren met schuurpapier (alleen bij de PE 150), voor het polijsten (alleen bij de SE 12 180), doorslijpen en voorbewerken en werkzaamheden met draadborstels. Ondoelmatig gebruik van dit elektrische gereedschap kan leiden tot gevaren en persoonlijk letsel.

c) Gebruik uitsluitend toebehoren dat door de fabrikant speciaal voor dit elektrische gereedschap is voorzien en geadviseerd. Het feit dat u het toebehoren aan het elektrische gereedschap kunt bevestigen, waarborgt nog geen veilig gebruik.

d) Het toegestane toerental van het inzetgereedschap moet minstens even hoog zijn als het maximale toerental dat op het elektrische gereedschap vermeld staat. Toebehoren dat sneller draait dan toegestaan, kan breken en wegvliegen.

e) De buitendiameter en de dikte van het inzetgereedschap moeten overeenkomen met de maatgegevens van het elektrische gereedschap. Inzetgereedschappen met onjuiste afmetingen kunnen niet voldoende afgeschermd of gecontroleerd worden.

f) Slijpschijven, flenzen, steunschijven en ander toebehoren moeten nauwkeurig op de uitgaande as van het elektrische gereedschap passen. Inzetgereedschappen die niet nauwkeurig op de uitgaande as van het elektrische gereedschap passen, draaien ongelijkmatig, trillen sterk en kunnen tot het verlies van de controle leiden.

g) Gebruik geen beschadigde inzetgereedschappen. Controleer voor het gebruik altijd inzetgereedschappen zoals steunschijven op scheuren of sterke slijtage. Als het elektrische gereedschap of het inzetgereedschap valt, dient u te controleren of het beschadigd is, of gebruik een onbeschadigd inzetgereedschap. Als u het inzetgereedschap hebt gecontroleerd en ingezet, laat u het elektrische gereedschap een minuut lang met het maximale toerental lopen. Daarbij dient u en dienen andere personen uit de buurt van het ronddraaiende inzetgereedschap te blijven. Beschadigde inzetgereedschappen breken meestal gedurende deze testtijd.

h) Draag persoonlijke beschermende uitrusting. Gebruik afhankelijk van de toepassing een volledige gezichtsbescherming, oogbescherming of veiligheidsbril. Draag voor zover van toepassing een stofmasker, een gehoorbescherming, werkhandschoenen of een speciaal schoort dat kleine slijp- en materiaaldeeltjes tegenhoudt. Uw ogen moeten worden beschermd tegen wegvliegende deeltjes die bij verschillende toepassingen ontstaan. Een stof- of adembeschermingsmasker moet het bij de toepassing ontstaande stof filteren. Als u lang wordt blootgesteld aan luid lawaai, kan uw gehoor worden beschadigd.

i) Let erop dat andere personen zich op een veilige afstand bevinden van de plaats waar u werkt. Iedereen die de werkomgeving betreedt, moet persoonlijke beschermende uitrusting dragen. Brokstukken van het werkstuk of gebroken inzetgereedschappen kunnen wegvliegen en verwondingen veroorzaken, ook buiten de directe werkomgeving.

j) Houd het elektrische gereedschap alleen vast aan de geïsoleerde greepvlakken als u werkzaamheden uitvoert waarbij het inzetgereedschap verborgen stroomleidingen of de eigen netkabel kan raken. Contact met een onder spanning staande leiding zet ook de metalen delen van het elektrische gereedschap onder spanning en leidt tot een elektrische schok.

k) Houd de stroomkabel uit de buurt van draaiende inzetgereedschappen. Als u de controle over het elektrische gereedschap verliest, kan de stroomkabel worden doorgesneden of meegenomen en uw hand of arm kan in het ronddraaiende inzetgereedschap terecht komen.

l) Leg het elektrische gereedschap nooit neer voordat het inzetgereedschap volledig tot stilstand is gekomen. Het draaiende inzetgereedschap kan in contact komen met het oppervlak, waardoor u de controle over het elektrische gereedschap kunt verliezen.

m) Laat het elektrische gereedschap niet lopen terwijl u het draagt. Uw kleding kan door toevallig contact met het draaiende inzetgereedschap worden meegenomen en het inzetgereedschap kan zich in uw lichaam boren.

n) Reinig regelmatig de ventilatieopeningen van het elektrische gereedschap. De motorventilator trekt stof in het huis en een sterke ophoping van metaalstof kan elektrische gevaren veroorzaken.

o) Gebruik het elektrische gereedschap niet in de buurt van brandbare materialen. Vonken kunnen deze materialen ontsteken.

p) Gebruik geen inzetgereedschappen waarvoor vloeibare koelmiddelen vereist zijn. Het gebruik van water of andere vloeibare koelmiddelen kan tot een elektrische schok leiden.

Terugslag en bijbehorende waarschuwingen

Terugslag is de plotselinge reactie als gevolg van een vasthakend of geblokkeerd draaiend inzetgereedschap, zoals een slijpschijf, steunschijf, draadborstel, enz. Vasthaken of blokkeren leidt tot abrupte stilstand van het ronddraaiende inzetgereedschap. Daardoor wordt een ongecontroleerd elektrisch gereedschap tegen de draairichting van het inzetgereedschap versneld op de plaats van de blokkering. Als bijvoorbeeld een slijpschijf in het werkstuk vasthaakt of blokkeert, kan de rand van de slijpschijf die in het werkstuk invalt, zich vastgrijpen. Daardoor kan de slijpschijf uitbreken of een terugslag veroorzaken. De slijpschijf beweegt zich vervolgens naar de bediener toe of van de bediener weg, afhankelijk van de draairichting van de schijf op de plaats van de blokkering. Een terugslag is het gevolg van het verkeerd gebruik of onjuiste gebruiksomstandigheden van het elektrische gereedschap. Terugslag kan worden voorkomen door geschikte voorzorgsmaatregelen, zoals hieronder beschreven.

a) Houd het elektrische gereedschap goed vast en breng uw lichaam en uw armen in een positie waarin u de terugslagkrachten kunt opvangen. Gebruik altijd de extra handgreep, indien aanwezig, om de grootst mogelijke controle te hebben over terugslagkrachten of reactiemomenten bij het op toeren komen. De bediener kan door geschikte voorzorgsmaatregelen de terugslag- en reactiekrachten beheersen.

b) Breng uw hand nooit in de buurt van draaiende inzetgereedschappen. Het inzetgereedschap kan bij de terugslag over uw hand bewegen.

c) Mijd met uw lichaam het gebied waarheen het elektrische gereedschap bij een terugslag wordt bewogen. De terugslag drijft het elektrische gereedschap in de richting die tegengesteld is aan de beweging van de slijpschijf op de plaats van de blokkering.

d) Werk bijzonder voorzichtig in de buurt van hoeken, scherpe randen, enz. Voorkom dat inzetgereedschappen van het werkstuk terugveren en vastklemmen. Het ronddraaiende inzetgereedschap neigt er bij hoeken, scherpe randen of wanneer het terugspringt toe om zich vast te klemmen. Dit veroorzaakt een controleverlies of terugslag.

e) Gebruik geen kettingblad of getand zaagblad. Zulke inzetgereedschappen veroorzaken vaak een terugslag of het verlies van de controle over het elektrische gereedschap.

SE 12 180:

Bijzondere waarschuwingen voor schuurwerkzaamheden

a) Gebruik geen schuurbladen met te grote afmetingen, maar houd u aan de voorschriften van de fabrikant voor de maten van schuurbladen. Schuurbladen die over de rand van de steunschijf uitsteken, kunnen verwondingen veroorzaken en kunnen tot blokkeren, scheuren van de schuurbladen of terugslag leiden.

PE 150:

Bijzondere waarschuwingen voor polijstwerkzaamheden

a) De polijstkap mag geen losse delen hebben, in het bijzonder geen losse bevestigingsnoeren. Maak de bevestigingsnoeren vast of kort deze in. Losse, meedraaiende bevestigingsnoeren kunnen uw vingers meenemen of in het werkstuk vasthaken.

Verplaatsbaar gereedschap moet bij het gebruik buiten aan een aardlekschakelaar (FI,RCD,PRCD) aangesloten worden.

Spanen of splinters mogen bij draaiende machine niet worden verwijderd.

Machine alleen uitgeschakeld aan het net aansluiten.

Niet aan de draaiende delen komen.

Altijd de zijhandgreep gebruiken.

Machine onmiddellijk controleren als sterke trillingen optreden of andere gebreken worden vastgesteld. Controleer de machine om de oorzaak vast te stellen.

Slijpschijven altijd volgens de voorschriften van de fabrikant gebruiken en bewaren.

Bij het schuren van metalen ontstaan vonken. Er op letten dat er geen personen in gevaar worden gebracht. In verband met het brandgevaar mogen zich geen brandbare materialen in de buurt (gebied waar de vonken vallen) bevinden. Geen stofafzuiging gebruiken

Machine altijd zo vasthouden dat vonken of slijpstof van het lichaam zijn af gericht.

De flensmoer moet vóór de ingebruikname van de machine aangetrokken zijn.

Het te bewerken werkstuk moet vast worden ingespannen als het niet door het eigen gewicht stabiel ligt. Nooit het werkstuk met de hand tegen de schijf houden.

Bij extreme gebruiksvoorwaarden (bijv. gladslijpen van metaal met de steun en de vulkaanfiber-slijpschijven) kan in het inwendige van de haakse slijper ernstige verontreiniging ontstaan. Bij dergelijke werkzaamheden is om veiligheidsredenen een grondige reiniging van de binnenzijde (verwijdering van metaalslijpsel) en tevens de voorschakeling van een lekstroomschakelaar (FI) vereist. Na het aanspreken van de lekstroomschakelaar moet de machine ter reparatie worden opgestuurd.

Bij gebruik van gereedschappen die bedoeld zijn voor wielen met schroefgaten, dient men te controleren dat de schroefdraad in het wiel lang

VOORGESCHREVEN GEBRUIK VAN HET SYSTEEM

PE 150: De polijstmachine kan worden gebruikt voor het polijsten van lakken, coatings, kunststoffen en andere gladde oppervlakken.

SE 12 180: De machine is geschikt voor het vlakschuren van hout, kunststof en metaal.

Dit apparaat uitsluitend gebruiken voor normaal gebruik, zoals aangegeven.

AANLOOP STROOMBEGRENZING + ZACHT AANLOOP

De inschakelstroomsterkte van de machine bedraagt een veelvoud van de nominale stroomsterkte. Door de aanloopstroombegrenzing wordt de inschakelstroomsterkte zo ver gereduceerd, dat een zekering (16 A traag) niet aanspreekt.

De elektronische zachte aanloop zorgt voor een veilig vasthouden van de machine wanneer deze wordt ingeschakeld.

ELEKTRONIC

De elektronika regelt het toerental bij toenemende belasting na.

Bij langere overbelasting schakelt de elektronika op gereduceerd toerental. De machine loopt langzaam door voor het koelen van de motor. Na uit- en weer inschakelen kunt u binnen het nominale belastingsbereik gewoon verder werken met de machine.

HERSTARTBEVEILIGING

Nulspanningsschakelaar voorkomt herstarten van de machine na stroomuitval. Bij hervatten van de werkzaamheden de machine eerst uitschakelen en vervolgens weer aanzetten.

EC - VERKLARING VAN OVEREENSTEMMING

Wij verklaren in uitsluitende verantwoording dat het onder 'Technische gegevens' beschreven product overeenstemt met alle relevante voorschriften van de richtlijn 2011/65/EU (RoHS), 2006/42/EG, 2004/108/EG (tot 19 April 2016), 2014/30/EU (vanaf 20 April 2016) en de volgende geharmoniseerde normatieve documenten:

EN 60745-1:2009+A11:2010
EN 60745-2-3:2011+A2:2013+A11:2014+A12:2014+A13:2015
EN 55014-1:2006+A1:2009+A2:2011
EN 55014-2:1997+A1:2001+A2:2008
EN 61000-3-2:2014
EN 61000-3-3:2013
EN 50581:2012

Winnenden, 2016-02-08


Alexander Krug
Managing Director



Gemachtigd voor samenstelling van de technische documenten

TECHTRONIC INDUSTRIES GMBH
Max-Eyth-Straße 10
71364 Winnenden
Germany

NETAANSLUITING

Uitsluitend op éénfase-wisselstroom en uitsluitend op de op het typeplaatje aangegeven netspanning aansluiten. Aansluiting is ook mogelijk op een stekerdoos zonder aardcontact mogelijk, omdat het is ontworpen volgens veiligheidsklasse II.

ONDERHOUD

Altijd de luchtspleten van de machine schoonhouden.

Alleen AEG toebehoren en onderdelen gebruiken. Onderdelen welke niet vermeld worden, kunnen het beste door de AEG servicedienst verwisseld worden (zie Serviceadressen).

Zo nodig kan een explosietekening van het apparaat worden aangevraagd bij uw klantenservice of direct bij

TECHTRONIC INDUSTRIES GMBH, Max-Eyth-Straße 10, 71364 Winnenden, Duitsland onder vermelding van het machinetype en het zescijferige nummer op het typeplaatje.

SYMBOLER



VIGTIGT! ADVARSEL! FARE!



Før ethvert arbejde ved maskinen skal stikket tages ud af stikdåsen.



Læs brugsanvisningen nøje før ibrugtagning.



Når der arbejdes med maskinen, skal man have beskyttelsesbriller på.



Brug beskyttelseshandsker!



Brug ikke kraft.



Tilbehør - Ikke inkluderet i leveringsomfanget, køb købes som tilbehør.



Elektrische apparaten mogen niet via het huisafval worden afgevoerd. Elektrische en elektronische apparaten moeten gescheiden worden verzameld en voor een milieuvriendelijke afvoer worden afgegeven bij een recyclingbedrijf. Informeer bij uw gemeente of bij uw vakhandelaar naar recyclingbedrijven en inzamelpunten.



Kapslingsklasse II elværkøjt. Elværkøjt, hvor beskyttelsen mod et elektrisk stød ikke kun afhænger af basisisoleringen men også af, at der anvendes yderligere beskyttelsesforanstaltninger som dobbelt isolering eller forstærket isolering. Der findes ikke udstyr til tilslutning af en beskyttelsesleder.



CE-mærke



Regulatory Compliance Mark (RCM). Het product voldoet aan de van toepassing zijnde voorschriften.



Nationaal symbol van overeenstemming Oekraïne



EurAsian-symbol van overeenstemming.

TEKNISKE DATA	Poleremaskine/Slibemaskine	PE 150	SE 12-180
Produktionsnummer	4552 16 01	4552 20 01	4552 20 01
	...000001-999999	...000001-999999	...000001-999999
Nominel optagen effekt	1200 W	1200 W	1200 W
Afgiven effekt	600 W	600 W	600 W
Nominelt omdrejningstal	900-2500 min ⁻¹	1800-4800 min ⁻¹	1800-4800 min ⁻¹
Maks. nominelt omdrejningstal	4700 min ⁻¹	9000 min ⁻¹	9000 min ⁻¹
Slibeskive-Ø	150 mm	180 mm	180 mm
Spindelgevind	M 14	M 14	M 14
Vægt svarer til EPTA-procedure 01/2003	2,1 kg	2,5 kg	2,5 kg

Støj/Vibrationsinformation

Måleværdier beregnes iht. EN 60745.

Værktøjets A-vurderede støjniveau er typisk:

Lydtrykniveau (Usikkerhed K=3dB(A))	82 dB(A)	82 dB(A)
Lydeffekt niveau (Usikkerhed K=3dB(A))	93 dB(A)	93 dB(A)

Brug høreværn!

Samlede vibrationsværdier (værdisum for tre retninger) beregnet iht. EN 60745.

Polering: Svingningsemissionstal a_h 3 m/s² - m/s²

Usikkerhed K = 1,5 m/s² - m/s²

Slibning med tallerkenslibeskive af kunststof: Svingningsemissionstal a_h - m/s² 3,3 m/s²

Usikkerhed K = - m/s² 1,5 m/s²

ADVARSEL

Svingningsniveauet, som er angivet i disse anvisninger, er målt i henhold til standardiseret måleprocedure ifølge EN 60745 og kan anvendes til indbyrdes sammenligning mellem el-værktøjer. Svingningsniveauet er ligeledes egnet som foreløbigt skøn over svingningsbelastningen.

Det angivne svingningsniveau er baseret på el-værktøjets primære anvendelsesformål. Hvis el-værktøjet benyttes til andre formål, med andet indsatsværktøj eller ikke vedligeholdes tilstrækkeligt, kan svingningsniveauet afvige. Dette kan øge svingningsbelastningen over den samlede arbejdsperiode betydeligt.

For en nøjagtig vurdering af svingningsbelastningen skal der også tages højde for de tidsperioder, hvor apparatet er slukket, eller hvor apparatet kører, men uden at være i anvendelse. Dette kan reducere svingningsbelastningen over den samlede arbejdsperiode betydeligt.

Supplerende sikkerhedsforanstaltninger til beskyttelse af brugeren mod påvirkninger fra svingninger skal iværksættes, f.eks.: Vedligeholdelse af el-værktøj og indsatsværktøj, varmholdelse af hænder, organisering af arbejdsprocesser.

⚠ ADVARSEL! Læs alle sikkerhedsanvisninger og øvrige vejledninger, også i den vedlagte brochure. I tilfælde af manglende overholdelse af advarselshenvisningerne og instrukserne er der risiko for elektrisk stød, brand og/eller alvorlige kvæstelser. Opbevar alle advarselshenvisninger og instrukser til senere brug.

⚠ SIKKERHEDSHENVISNINGER POLEREMASKINE/SLIBEMASKINE

Fælles advarselshenvisninger til sandpapirslibning og polering:

a) Dette elværkøjt kan anvendes som poleringsmaskine (kun på PE 150) og sandpapirsliber (kun på SE 12 180). Læs og overhold alle advarsler, instruktioner, illustrationer og data, som du modtager i forbindelse med elværkøjtet. Overholder du ikke følgende instruktioner, kan du få elektrisk stød, der kan opstå brand og/eller du kan blive kvæstet alvorligt.

b) Dette el-værkøjt er ikke egnet til slibning med sandpapir (kun på PE 150), polering (kun på SE 12 180), skære- og skrubslibning og trædbørstning. Anvendes el-værkøjtet til formål, det ikke er beregnet til, kan der opstå farlige situationer, som kan medføre kvæstelser.

c) Anvend kun tilbehør, hvis det er beregnet til dette el-værkøjt og anbefalet af fabrikanten. En mulig fastgørelse af tilbehøret til el-værkøjtet sikrer ikke en sikker anvendelse.

d) Den tilladte hastighed for indsatsværktøjet skal mindst være så høj som den max. hastighed, der er angivet på el-værkøjtet. Tilbehør, der drejer hurtigere end tilladt, kan blive ødelagt eller flyve omkring.

e) Indsatsværktøjets udvendige diameter og tykkelse skal svare til målene på dit el-værkøjt. Forkert målt indsatsværktøj kan ikke afskærmes eller kontrolleres tilstrækkeligt.

f) Slibeskive, flanger, slibebagskiver eller andet tilbehør skal passe nøjagtigt til slibespindlen på dit el-værkøjt. Indsatsværktøj, der ikke passer nøjagtigt på el-værkøjtets slibespindel, drejer ujævnt, vibrerer meget stærkt og kan medføre, at man taber kontrollen.

g) Brug ikke el-værkøjtet, hvis det er beskadiget. Kontrollér altid før slibebagskiver for revner, slid eller stærkt slid. **Tabes el-værkøjtet eller indsatsværktøjet på jorden, skal du kontrollere, om det er beskadiget; anvend evt. et ubeskadiget indsatsværktøj.** Når indsatsværktøjet er kontrolleret og indsat, skal du holde dig selv og personer, der befinder sig i nærheden, uden for det niveau, hvor indsatsværktøjet roterer, og lad el-værkøjtet køre i et minut ved højeste hastighed. Beskadiget indsatsværktøj brækker for det meste i denne testtid.

h) Brug personligt beskyttelsesudstyr. Brug helmaske til ansigtet, øjenværn eller beskyttelsesbriller, afhængigt af det udførte arbejde. **Brug afhængigt af arbejdets art støvmaske, høreværn, beskyttelseshandsker eller specialforklæde, der beskytter dig mod små slibe- og materialepartikler.** Øjenene skal beskyttes mod fremmede genstande, der flyver rundt i luften og som opstår i forbindelse med forskelligt arbejde. Støv- eller åndedrætsmaske skal filtrere det støv, der opstår under arbejdet. Udsættes du for høj støj i længere tid, kan du lide høretab.

i) Sørg for tilstrækkelig afstand til andre personer under arbejdet. Enhver, der betræder arbejdsområdet, skal bruge personligt beskyttelsesudstyr. Brudstykker fra

emnet eller brækket indsatsværktøj kan flyve væk og føre til kvæstelser også uden for det direkte arbejdsområde.

j) Hold altid kun el-værktøjet i de isolerede gribeflader, når du udfører arbejde, hvor indsatsværktøjet kan ramme bøjede strømledninger eller værktøjets eget kabel. Kontakt med en spændingsførende ledning sætter også metaldele under spænding, hvilket fører til elektrisk stød.

k) Hold netkablet væk fra roterende indsatsværktøj. Taber du kontrollen over el-værktøjet, kan netkablet skæres over eller rammes, og din hånd eller din arm kan trækkes ind i det roterende indsatsværktøj.

l) Læg aldrig el-værktøjet til side, før indsatsværktøjet står helt stille. Det roterende indsatsværktøj kan komme i kontakt med frælægningsfladen, hvorved du kan tabe kontrollen over el-værktøjet.

m) Lad ikke el-værktøjet køre, mens det bæres. Dit tøj kan blive fanget ved en tilfældig kontakt med det roterende indsatsværktøj, hvorved indsatsværktøjet kan bore sig ind i din krop.

n) Rengør ventilationsåbningerne på dit el-værktøj med regelmæssige mellemrum. Motorhuset trækker støv ind i huset, og store mængder metalstøv kan være farligt rent elektrisk.

o) Brug ikke el-værktøjet i nærheden af brændbare materialer. Gnister kan sætte ild i materialer.

p) Brug ikke indsatsværktøj, der transporterer flydende kølemiddel. Brug af vand eller andre flydende kølemidler kan føre til elektrisk stød.

Tilbageslag og tilsvarende advarsler

Tilbageslag er en pludselig reaktion, som skyldes, at et roterende indsatsværktøj (slibemaskine, slibebagskive, trådbørste osv.) har sat sig fast eller blokerer. Fastsættelse eller blokering fører til et pludseligt stop af det roterende indsatsværktøj. Derved accelereres et ukontrolleret el-værktøj mod indsatsværktøjets omgivelsesretning på blokeringsstedet.

Sidder f.eks. en slibeskive fast eller blokerer i et emne, kan kanten på slibeskiven, der dykker ned i emnet, blive siddende, hvorved slibeskiven brækker af eller fører til et tilbageslag. Slibeskiven bevæger sig så hen imod eller væk fra betjeningspersonen, afhængigt af skivens drejeretning på blokeringsstedet.

Et tilbageslag skyldes forkert eller fejlbehæftet brug af el-værktøjet. Det kan forhindres ved at træffe egnede forsigtighedsforanstaltninger, der beskrives i det følgende.

a) Hold godt fast i el-værktøjet og sørg for at både krop og arme befinder sig i en position, der kan klare tilbageslagskræfterne. Anvend altid ekstrahåndtaget, hvis et sådant findes, for at have så meget kontrol som muligt over tilbageslagskræfterne eller reaktionsmomenterne, når maskinen kører op i hastighed. Betjeningspersonen kan beherske tilbageslags- og reaktionskræfterne med egnede forsigtighedsforanstaltninger.

b) Sørg for at din hånd aldrig kommer i nærheden af det roterende indsatsværktøj. Indsatsværktøjet kan bevæge sig hen over din hånd i forbindelse med et tilbageslag.

c) Undgå at din krop befinder sig i det område, hvor el-værktøjet bevæger sig i forbindelse med et tilbageslag. Tilbageslaget driver el-værktøjet i modsat retning af slibeskivens bevægelse på blokeringsstedet.

d) Arbejd særlig forsigtig i områder som f.eks. hjørner, skarpe kanter osv. Forhindre at indsatsværktøjet slår tilbage fra emnet og sætter sig fast. Det roterende indsatsværktøj har tendens til at sætte sig fast, når det anvendes i hjørner, skarpe kanter eller hvis det springer tilbage. Dette medfører, at man taber kontrollen eller tilbageslag.

e) Brug ikke kædesavklinger eller tandede savklinger. Sådant indsatsværktøj fører hyppigt til tilbageslag eller at man taber kontrollen over el-værktøjet.

SE 12 180:

Særlige advarselshenvisninger til sandpapirslibning

a) Anvend ikke overdimensioneret slibepapir, men læs og overhold fabrikantens forskrifter mht. slibepapirets størrelse. Slibepapirer, der rager ud over slibebagskiven, kan føre til kvæstelser eller blokering eller iturivning af slibepapirerne eller til tilbageslag.

PE 150:

Særlige advarselshenvisninger i forbindelse med polering

a) Undgå løse dele på poleringshætten, især fastgørelsessnore. Afkort fastgørelsessnorene eller gem dem væk. Løse, medrørende fastgørelsessnore kan gribe fat i dine fingre eller sætte sig fast i emnet.

Stikdåser udendørs skal være forsynet med fejlstrømssikringskontakter (FI, RCD, PRCD). Det forlanger installationsforskriften for Deres elektroanlæg. Overhold dette, når De bruger vores maskiner.

Spåner eller splinter må ikke fjernes, medens maskinen kører.

Maskinen sluttes kun udkoblet til stikdåsen.

Pas på ikke at få hånden ind i maskinen.

Brug altid støttegrebet.

Sluk straks for værktøjet, hvis der opstår betydelige svingninger eller der konstateres andre mangler. Kontrollér værktøjet og find frem til årsagen.

Benyt og opbevar kun slibeskiver iht. fabrikantens angivelser.

Gnistregn opstår ved slibning af metal. Vær opmærksom på, at personer ikke kommer til skade. På grund af brandfare må brandbare materialer ikke opbevares i nærheden (gnistregnområde). Brug ikke støvsuger.

Maskinen skal altid håndteres således, at gnister og slibestøv slynges væk fra kroppen.

Flangemøtrikken skal spændes inden maskinen tages i brug.

Det arbejdsemne, som skal bearbejdes, fastspændes, medmindre det holdes på plads af arbejdsemnets egen vægt. Før aldrig emnet mod skiven med hånden.

Under ekstreme anvendelsesbetingelser (f.eks. glatslibning af metaller med støtteskive og vulkanfiber-slibeskiver) kan det indvendige af vinkelribben blive meget snavset. I sådanne tilfælde er det af sikkerhedsgrunde nødvendigt at foretage grundig rengøring af indvendige metalaflejringer, ligesom det er absolut nødvendigt at installere et fejlstrøms- (HFI) relæ. Hvis HFI-relæet aktiveres, skal maskinen indsendes til reparation.

For værktøj hvorpå der skal monteres hjul med gevindskåret hul, skal De sikre, at gevindet i hjulet er langt nok til at rumme aksellængden.

TILTÆNKT FORMÅL

PE 150: Poleringsmaskinen kan anvendes til polering af lak, belægninger, kunststof og andre glatte overflader.

SE 12 180: Maskine er egnet til slibning af træ-, plast- og metalflader.

Produktet må ikke anvendes på anden måde og til andre formål end foreskrevet.

STARTSTRØMSBEGRÆNSNING + BLØD OPSTART

Maskinens startstrøm er et multiplum af den nominelle strøm. Med startstrømsbegrænsningen reduceres startstrømmen så meget, at en sikring (16 A træg) ikke reagerer.

Elektronisk blød opstart til sikker håndtering; hindrer ved indkobling en maskinstart i ryk.

ELEKTRONIK

Elektronikken regulerer omdrejningstallet ved stigende belastning.

Ved længere tids overbelastning skifter elektronikken om til reduceret omdrejningstal. Maskinen arbejder langsomt videre, så motorviklingen kan afkøle. Efter ud- og viderekobling er det muligt at arbejde videre med maskinen i nominelt belastningsområde.

GENSTARTSBESKYTTELSE

En nulspændingsafbryder forhindrer, at maskinen genstarter efter strømudfald. Ved genoptagelsen af arbejdet skal maskinen slukkes og tændes igen.

CE-KONFORMITETSERKLÆRING

Vi erklærer som eneansvarlig, at det under „Tekniske data“ beskrevne produkt stemmer overens med alle relevante forskrifter, der følger af direktiv 2011/65/EU (RoHS), 2006/42/EF, 2004/108/EF (indtil 19 April 2016), 2014/30/EU (fra 20 April 2016) samt af følgende harmoniserede normative dokumenter:

EN 60745-1:2009+A11:2010
EN 60745-2-3:2011+A2:2013+A11:2014+A12:2014+A13:2015
EN 55014-1:2006+A1:2009+A2:2011
EN 55014-2:1997+A1:2001+A2:2008
EN 61000-3-2:2014
EN 61000-3-3:2013
EN 50581:2012

Winnenden, 2016-02-08



Alexander Krug
Managing Director



Autoriseret til at udarbejde de tekniske dokumenter.

Techtronic Industries GmbH
Max-Eyth-Straße 10
71364 Winnenden
Germany

NETTILSLUTNING

Tilslutning må kun foretages til enfaset vekselstrøm og kun til en netspænding, som er i overensstemmelse med angivelsen på mærkepladen. Tilslutning kan også ske til stikdåser uden beskyttelseskontakt, da kapslingsklasse II foreligger.

VEDLIGEHOLDELSE

Hold altid maskinens ventilationsåbninger rene.

Brug kun AEG tilbehør og reservedele. Lad de komponenter, hvis udskiftning ikke er blevet beskrevet, udskifte hos AEG service (brochure garanti/bemærk kundeserviceadresser).

Hvis det er nødvendigt, kan der bestilles en sprængskitse af værktøjet. Angiv herved venligst maskintypen samt det sekscifrede nummer på mærkepladen og bestil tegningen hos din lokale kundeserviceafdeling eller direkte hos Techtronic Industries GmbH, Max-Eyth-Straße 10, 71364 Winnenden, Tyskland.

SYMBOLER



OBS! ADVARSEL! FARE!



Trekk støpslet ud af stikkontakten før du begynder arbejder på maskinen.



Les nøye gjennom bruksanvisningen før maskinen tas i bruk.



Bruk alltid vernebrille når du arbeider med maskinen.



Brug vernehansker !



Ikke bruk kraft.



Tilbehør - inngår ikke i leveransen, anbefalt komplettering fra tilbehørsprogrammet.



Elektrisk udstyr må ikke bortskaffes sammen med det almindelige husholdningsaffald. Elektrisk og elektronisk udstyr skal indsamles særskilt og afleveres hos en genbrugsvirksomhed til en miljømæssig forsvarlig bortskaffelse. Spørg de lokale myndigheder eller din forhandler om genbrugsstationer og indsamlingssteder til sådant affald.



Elektroverktøy av verneklasse II. Elektroverktøy hvor beskyttelse mot elektrisk slag ikke bare er avhengig av basisisoleringen, men som også er avhengig av at tilleggs vernetiltak som dobbelt eller forsterket isolering blir brukt. Det finnes ingen innretning for tilkobling av en beskyttelsesleder.



CE-tegn



Regulatory Compliance Mark (RCM). Produktet opfylder de gældende bestemmelser.



Nationalt overensstemmelsesmærke Ukraine



EurAsian overensstemmelsesmærke.

TEKNISKE DATA	Polermaskin/Slipemaskin	PE 150	SE 12-180
Produksjonsnummer.....	4552 16 01.....	4552 20 01.....
000001-999999000001-999999
Nominell inngangseffekt.....	1200 W.....	1200 W.....
Avgitt effekt.....	600 W.....	600 W.....
Nominelt turtall.....	900-2500 min ⁻¹	1800-4800 min ⁻¹
Maks. nominelt turtall.....	4700 min ⁻¹	9000 min ⁻¹
Slipeskive-Ø.....	150 mm.....	180 mm.....
Spindelgjenge.....	M 14.....	M 14.....
Vekt i henhold til EPTA-Prosedyren 01/2003.....	2,1 kg.....	2,5 kg.....

Støy/Vibrasjonsinformasjon

Måleverdier fastslått i samsvar med EN 60 745.

Det typiske A-bedømte støynivået for maskinen er:

Lydtrykknivå ((Usikkerhet K=3dB(A)).....)	82 dB(A).....	82 dB(A).....
Lydefektnivå (Usikkerhet K=3dB(A)).....)	93 dB(A).....	93 dB(A).....

Bruk hørselsvern!

Totale svingningsverdier (vektorsum fra tre retninger) beregnet jf. EN 60745.

Polering: svingningens emisjonsverdi a_{h1}

Usikkerhet K = 3 m/s².....- m/s²

Sliping med kunststoffskive: svingningens emisjonsverdi a_{h2}

Usikkerhet K = 1,5 m/s².....- m/s²

Sliping med kunststoffskive: svingningens emisjonsverdi a_{h3}

Usikkerhet K = - m/s²..... 3,3 m/s²

ADVARSEL

Svingningsnivået som er angitt i denne instruksjonen er målt i overensstemmelse med målemetoden normert i direktiv EN 60745 og kan brukes til å sammenligne elektromaskiner med hverandre. Den egner seg også for en foreløbig vurdering av svingningsbelastningen.

Det angitte svingningsnivået representerer de hovedsaklige bruk av elektroverktøyet. Men anvendes elektroverktøyet for andre bruk med avvikende utskiftbare verktøy eller vedlikeholdet er tilstrekkelig, kan svingningsnivået være avvikende.

Denne kan forhøye svingningsbelastning betydelig over hele arbeidsperioden. For en nøyaktig vurdering av svingningsbelastningen må også det tas hensyn til tiden apparatet er avslått eller står på, men ikke er i bruk. Dette kan redusere svingningsbelastningen betydelig over hele arbeidsperioden.

Innfør også ekstra sikkerhetstiltak for å beskytte bruker mot utvirkingen av svingningene. Disse kan f.eks. være: vedlikehold av elektroverktøyet og det utskiftbare verktøyet, holde hendene varme, organisasjon av arbeidsforløp.

ADVARSEL! Les alle sikkerhetsinstruksjoner og bruksanvisninger, også de i den vedlagte brosjyren. Feil ved overholdelsen av advarslene og nedestående anvisninger kan medføre elektriske støt, brann og/eller alvorlige skader.
Ta godt vare på alle advarslene og informasjonene.

SPESEIELLE SIKKERHETSHENVISNINGER POLERMASKIN/SLIPEMASKIN

Felles advarsler om sandpapiersliping og polering:

a) Dette elektroverktøyet skal brukes som polermaskin (kun ved PE 150) og sandpapiersliper (kun ved SE 12 180). Følg alle advarsler, anvisninger, bilder og data som du får levert sammen med elektroverktøyet. Hvis du ikke følger følgende anvisninger, kan det oppstå elektriske støt, ild og/eller store skader.

b) Dette elektroverktøyet er ikke egnet til å slippe med sandpapir (kun ved PE 150), polering (kun ved SE 12 180), kutting og rensing og arbeid med stålbørster. Bruk som elektroverktøyet ikke er konstruert for, kan forårsake farer og skader.

c) Ikke bruk tilbehør som ikke er spesielt beregnet og anbefalt av produsenten for dette elektroverktøyet. Selv om du kan feste tilbehøret på elektroverktøyet ditt, garanterer dette ingen sikker bruk.

d) Det godkjente turtallet til innsatsverktøyet må være minst like høyt som det maksimale turtallet som er angitt på elektroverktøyet. Tilbehør som dreies hurtigere enn godkjent, kan brenne og slynge rundt.

e) Utvendig diameter og tykkelse på innsatsverktøyet må tilsvare målene for elektroverktøyet. Gale innsatsverktøy kan ikke sikres eller kontrolleres tilstrekkelig.

f) Slipeskiver, flenser, slipetallerkener eller annet tilbehør må passe nøyaktig på slipespindelen til elektroverktøyet. Innsatsverktøy som ikke passer nøyaktig på slipespindelen til elektroverktøyet, roterer uregelmessig, vibrerer svært sterkt og kan føre til at du mister kontrollen.

g) Ikke bruk skadede innsatsverktøy. Sjekk før hver bruk om innsatsverktøyet slik om slipetallerkener er revnet eller svært slitt. Hvis elektroverktøyet eller innsatsverktøyet faller ned, må du kontrollere om det er skadet eller bruket ikke er skadet innsatsverktøy. Når du har kontrollert og satt inn innsatsverktøyet, må du holde personer som oppholder seg i nærheten unna det roterende innsatsverktøyet og la elektroverktøyet gå i ett minutt med maksimalt turtall. Som regel brenner skadede innsatsverktøy i løpet av denne testtiden.

h) Bruk personlig beskyttelsesutstyr. Avhengig av typen bruk må du bruke visir, øyebeskyttelse eller vernebriller. Om nødvendig må du bruke støvmaske, hørselsvern, vernehansker eller spesialforke som holder små slipeskiver og materialpartikler unna kroppen din. Øynene bør beskyttes mot fremmedlegemer som kan fly rundt ved visse typer bruk. Støv- eller pustevernmasker må filtrere den typen støv som oppstår ved denne bruken. Hvis du er utsatt for sterk støv over lengre tid, kan du miste hørselen.

i) Pass på at andre personer holder tilstrekkelig avstand til arbeidsområdet ditt. Alle som går inn i arbeidsområdet må bruke personlig verneutstyr. Brukne deler til verktøyet eller brukne innsatsverktøy kan slynge ut og derfor også forårsake skader utenfor det direkte arbeidsområdet.

j) Ta kun tak i elektroverktøyet på de isolerte gripeflatene, hvis du utfører arbeid der innsatsverktøyet kan treffe på skjulte strømløpninger eller den egne strømløpningen. Kontakt med en spenningsførende

ledning setter også elektroverktøyet metalldele under spenning og fører til elektriske støt.

k) Hold strømløpningen unna roterende innsatsverktøy. Hvis du mister kontrollen over elektroverktøyet kan strømløpningen kappes eller komme inn i verktøyet, og hånden eller armen din kan komme inn i det roterende innsatsverktøyet.

l) Legg aldri elektroverktøyet ned før innsatsverktøyet er stanset helt. Det roterende innsatsverktøyet kan komme i kontakt med overflaten der maskinen legges ned, slik at du kan miste kontrollen over elektroverktøyet.

m) La aldri elektroverktøyet være innkoblet mens du bærer det. Tøyet ditt kan komme inn i det roterende innsatsverktøyet hvis det tilfeldigvis kommer i kontakt med verktøyet og innsatsverktøyet kan da bore seg inn i kroppen din.

n) Rengjør ventilasjonsåpningene til elektroverktøyet med jevne mellomrom. Motorviften trekker støv inn i huset, og en stor oppsamling av metallstøv kan medføre elektrisk fare.

o) Ikke bruk elektroverktøyet i nærheten av brennbare materialer. Gnister kan antenne disse materialene.

p) Bruk ikke innsatsverktøyet som krever flytende kjølemidler. Bruk av vann eller andre flytende kjølemidler kan føre til elektriske støt.

Tilbakeslag og tilsvarende advarsler

Tilbakeslag er innsatsverktøyet plutselige reaksjon etter at det har hengt seg opp eller blokkerer. Dette kan gjelde slipeskiven, slipetallerkenen, stålbørsten osv.. Opphenging eller blokkering fører til at det roterende innsatsverktøyet stanser helt plutselig. Slik akselereres et ukontrollert elektroverktøy mot innsatsverktøyet dreieretning på blokkeringsstedet.

Hvis f. eks. en slipeskive henger seg opp eller blokkerer i arbeidsstykket, kan kanten på slipeskiven som dykker inn i arbeidsstykket, henge seg opp og slik brenner slipeskiven eller forårsaker et tilbakeslag. Slipeskiven beveger seg da mot eller bort fra brukeren, avhengig av skivens dreieretning på blokkeringsstedet. Et tilbakeslag er resultat av en gal eller feilaktig bruk av elektroverktøyet. Det kan unngås ved å følge egnede sikkerhetstiltak som beskrevet nedenstående.

a) Hold elektroverktøyet godt fast og plasser kroppen og armene dine i en stilling som kan ta imot tilbakeslagskrefter. Bruk alltid ekstrahåndtaket – hvis dette finnes – for å ha størst mulig kontroll over tilbakeslagskrefter eller reaksjonsmomenter ved oppkjøring. Brukeren kan beherske tilbakeslags- og reaksjonsmomenter med egnede tiltak.

b) Hold aldri hånden i nærheten av det roterende innsatsverktøyet. Innsatsverktøyet kan bevege seg over hånden din ved tilbakeslag.

c) Unngå at kroppen din befinner seg i området der elektroverktøyet vil bevege seg ved et tilbakeslag. Tilbakeslaget driver elektroverktøyet i motsatt retning av slipeskivens dreieretning på blokkeringsstedet.

d) Vær spesielt forsiktig i hjørner, på skarpe kanter osv. Du må forhindre at innsatsverktøyet avprelles fra arbeidsstykket eller klemmes fast. Det roterende innsatsverktøyet har en tendens til å klemmes fast i hjørner, på skarpe kanter eller hvis det avprelles. Dette forårsaker kontrolltap eller tilbakeslag.

e) Bruk ikke kjedesagblad eller tannet sagblad. Slike innsatsverktøy fører ofte til tilbakeslag eller til at man mister kontrollen over elektroverktøyet.

SE 12 180:

Spesielle advarsler om sandpapiersliping

a) Ikke bruk overdimensjonerte slipeskiver, følg produsentens informasjonen om slipesliperørrelsen.

Slipeskiver som peker ut over slipetallerkenen kan forårsake skader og føre til at slipeskivene blokkerer eller revner eller til at det oppstår tilbakeslag.

PE 150:

Spesielle advarsler om polering

a) Det må aldri finnes løse deler på polerhetten, spesielt ikke festesnorer. Putt unna eller kapp festesnorene. Løse roterende festesnorer kan gripe tak i fingrene dine eller vikle seg inn i arbeidsstykket.

Stikkontakter utendørs må være utstyrt med feilstrøm-sikkerhetsbryter (FI, RCD, PRCD). Dette forlanges av installasjonsforskriften for elektroanlegg. Vennligst følg dette når du bruker vårt apparat.

Spon eller fliser må ikke fjernes mens maskinen er i gang.

Maskinen må være slått av når den koples til stikkkontakten.

Ikke grip inn i fareområdet mens maskinen er i gang.

Bruk alltid ekstrahåndtaket.

Slå straks av apparat når det oppstår store svingninger eller du fastslår andre mangler. Kontroller maskinen for å fastslå årsaken.

Bruk og oppbevar slipeskiver alltid i henhold til produsentens anvisninger.

Ved sliping av metall flyr det gnister. Pass på at ingen personer blir utsatt for fare. På grunn av brannfaren må det ikke finnes noen brennbare materialer i nærheten (gnistområdet). Ikke bruk støvavgug.

Hold apparatet alltid slik at gnister eller slipestøv flyr vekk fra kroppen.

Flensmutteren må være trukket til før maskinen startes.

Det emnet som skal bearbeides må være fastspent, hvis det ikke blir holdt av sin egen vekt. Før aldri emnet med hånden mot skiven.

Under ekstreme bruksforhold (f.eks. ved glattslibing av metall med støtteskive og vulkanfiber-slipeskiver) kan det legges seg mye skitt inne i vinkelsliperen. Ved slike bruksforhold er det av sikkerhetsgrunner nødvendig med innvendig rengjøring for å fjerne metallrester, det er dessuten tvungende nødvendig å montere en jordfeil- (FI) bryter. Hvis FI-bryteren reagerer må maskinen innsendes til reparasjon.

For verktøy som skal tilpasse hjul med gjengete hull, påse at gjengen i hjulet er langt nok til spindelengden.

FORMÅLSMESSIG BRUK

PE 150: Poleringsskiven kan benyttes til polering av lakk, overflatebehandlinger, plast og andre glatte overflater.

SE 12 180: Maskine er egnet til flatesliping av treverk, plast og metall.

Dette apparatet må kun brukes til de oppgitte formål.

STARTSTRØMBEGRENSNING + LETTOPPSTARTING

Maskinens startstrøm utgjør et multiplum av den nominelle strømmen. Ved hjelp av startstrømbegrensningen blir startstrømmen redusert så mye at en sikring (16 A, 1reg) ikke utløses.

Gjennom elektronisk lettoppstart aksellerer maskinen kontinuerlig til det som er blitt valgt

ELEKTRONIKK

Elektronikken regulerer turtallet ved økende belastning.

Ved lengre overbelastning kople elektronikken til redusert turtall. Maskinen går langsomt videre for å avkjøle motorviklingen. Etter utkøpling og etterfølgende geninnkopling kan du arbeide videre med maskinen i normalt belastningsområde.

AUTOMATISK GJENSTARTSBESKYTTELSE

En nullspenningsbryter forhindrer at maskinen starter på nytt igjen etter et strømbrudd. Før neste gangs bruk av maskinen må den først slåes av og så slåes på igjen.

CE-SAMSVARSERKLÆRING

Vi erklærer i alene ansvar at produktet beskrevet i „Teknisk data“ overensstemmer med alle relevante forskrifter til Eu direktiv 2011/65/EU (RoHS), 2006/42/EF, 2004/108/EC (til April 19, 2016), 2014/30/EU (fra 20 April 2016) og de følgende harmoniserte normative dokumentene.

EN 60745-1:2009+A11:2010
EN 60745-2-3:2011+A2:2013+A11:2014+A12:2014+A13:2015
EN 55014-1:2006+A1:2009+A2:2011
EN 55014-2:1997+A1:2001+A2:2008
EN 61000-3-2:2014
EN 61000-3-3:2013
EN 50581:2012

Winnenden, 2016-02-08


Alexander Krug
Managing Director



Autorisert til å utarbeide den tekniske dokumentasjonen

Techtronic Industries GmbH
Max-Eyth-Straße 10
71364 Winnenden
Germany

NETTILKOPLING

Skal bare tilsluttes enfasevekselstrøm og bare til den på skiltet angitte nettspenning. Tilslutning til stikkontakter uten jordet kontakt er mulig fordi beskyttelsesklasse II er forhanden.

VEDLIKEHOLD

Hold alltid luften åpningene på maskinen rene.

Bruk kun AEG tilbehør og reservedeler. Komponenter der utskiftning ikke er beskrevet skal skiftes ut hos AEG kundeservice (se brosjyre garanti/kundeserviceadresser).

Ved behov kan det fås en eksplosjonstegning av apparatet hos kundeservice eller direkte hos Techtronic Industries GmbH, Max-Eyth-Straße 10, 71364 Winnenden, Germany ved angivelse av maskinens type og det sekstallige nummeret på maskinens skilt.

SYMBOLER



OBS! ADVARSEL! FARE!



Trekk støpslet ut av stikkkontakten før du begynner arbeidet på maskinen.



Les nøye gjennom bruksanvisningen før maskinen tas i bruk.



Bruk alltid vernebrille når du arbeider med maskinen.



Bruk vernehansker !



Ikke bruk kraft.



Tilbehør - inngår ikke i leveransen, anbefalt komplettering fra tilbehørsprogrammet.



Elektriske apparat skal ikke kastes sammen med vanlig husholdningsavfall. Elektriske og elektroniske apparat skal samles separat og leveres til miljøvennlig deponering til en avfall bedrift. Informer deg hos myndighetene på stedet eller hos din fagforhandler hvor det finnes recycling bedrifter oppsamlingssteder.



Elektroverktøy av verneklasse II. Elektroverktøy hvor beskyttelse mot elektrisk slag ikke bare er avhengig av basisisolerings, men som også er avhengig av at tilleggs vernetiltak som dobbelt eller forsterket isolering blir brukt. Det finnes ingen innretning for tilkobling av en beskyttelsesleder.



CE-tegn



Regulatory Compliance Mark (RCM). Produktet oppfyller gjeldende forskrifter.



Nasjonalt Konformitetstegn Ukraina



EurAsian Konformitetstegn.

TEKNISKA DATA

	Polermaskin/Slipmaskin	PE 150	SE 12-180
Produktionsnummer	4552 16 01.....	4552 20 01.....	4552 20 01.....
Nominell opptagen effekt.....	1200 W.....	1200 W.....	1200 W.....
Uteffekt	600 W.....	600 W.....	600 W.....
Mærkevarvtal.....	900-2500 min ⁻¹	1800-4800 min ⁻¹	1800-4800 min ⁻¹
Max. mærkevarvtal	4700 min ⁻¹	9000 min ⁻¹	9000 min ⁻¹
Slipskivor-Ø	150 mm.....	180 mm.....	180 mm.....
Spindelgånga.....	M 14	M 14	M 14
Vikt enligt EPTA 01/2003	2,1 kg.....	2,5 kg.....	2,5 kg.....

Buller-/vibrasjonsinformasjon

Måtværdene har tagits fram baserende på EN 60 745.

A-værdet av maskinens ljudnivå utgår:

Ljudtrycksnivå (Onoggrannhet K=3dB(A)).....	82 dB(A).....	82 dB(A).....
Ljudeffektsnivå (Onoggrannhet K=3dB(A)).....	93 dB(A).....	93 dB(A).....

Använd hörselskydd!

Totala vibrationsvärden (vektorsumma ur tre riktningar) framtaget enligt EN 60745.

Polering: svängningsemissionsvärde a _h	3 m/s ²	- m/s ²
Onoggrannhet K =	1,5 m/s ²	- m/s ²
Slipning med plastsliplatlik: svängningsemissionsvärde a _h	- m/s ²	3,3 m/s ²
Onoggrannhet K =	- m/s ²	1,5 m/s ²

VARNING

Den i de här anvisningarna angivna vibrationsnivån har uppmätts enligt ett i EN 60745 normerat mätfförfarande och kan användas vid jämförelse mellan olika elverktyg. Nivån är även lämplig att använda vid en preliminär bedömning av vibrationsbelastningen.

Den angivna vibrationsnivån representerar den huvudsakliga användningen av det aktuella elverktøyet. Men om elverktøyet ska användas i andra användningsområden, tillsammans med avvikande insatsverktøy eller efter utilrækkelig underhåll, kan vibrationsnivån skilja sig. Det kan öka vibrationsbelastningen betydligt under hela arbetstiden.

För att få en exaktare bedömning av vibrationsbelastningen ska även den tid beaktas, under vilken elverktøyet är avstängt eller är påslaget, utan att det verkligen används. Det kan reducera vibrationsbelastningen betydligt under hela arbetstiden.

Lägg som skydd för användaren fast extra säkerhetsåtgärder mot vibrationernas verkan, som till exempel: underhåll av elverktøy och insatsverktøy, varmhållning av händer och organisering av arbetsförløpp.

▲ VARNING! Läs alla säkerhetsanvisningar och andra tillhörande anvisningar, även de i den medföljande broschyren. Fel som uppstår till följd av att anvisningarna nedan inte följts kan orsaka elstöt, brand och/eller allvarliga kroppsskador.

Förvara alla varningar och anvisningar för framtida bruk.

▲ SÄKERHETSUTRUSTNING POLERMASKIN/SLIPMASKIN

Gemensamma säkerhetsanvisningar för sandpappersslipning och polering:

a) Elverktøyet kan användas som poleringsmaskin (endast PE 150) och slippappersslipmaskin (endast SE 12 180). Beakta alla säkerhetsanvisningar, anvisningar, illustrationer och data som levereras med elverktøyet. Om nedanstående anvisningar ignoreras finns risk för att elstöt, brand och/eller allvarliga personskador uppstår.

b) Den här maskinen är inte avsedd för slipning med sandpapper (endast PE 150), polering (endast SE 12 180), kapning och slipning och arbeten med träborste. Tillämpningar som maskinen inte är avsedd för kan förorsaka faror och personskador.

c) Använd inte tillbehör som tillverkaren inte uttryckligen godkänner och rekommenderat för detta elverktøy. Även om tillbehör kan fästas på elverktøyet finns det ingen garanti för en säker användning.

d) Insatsverktøgets tillåtna varvtal måste åtminstone motsvara det på elverktøyet angivna högsta varvtalet. Tillbehör med en högre rotationshastighet kan bryta och slungas ut.

e) Insatsverktøgets yttre diameter och tjocklek måste motsvara elverktøgets dimensioner. Feldimensionerade insatsverktøy kan inte på betryggande sätt avskäras och kontrolleras.

f) Slipskivor, flänsar, slippindeller och annat tillbehör måste passa exakt på elverktøgets slippindel. Insatsverktøy som inte exakt passar till elverktøgets slippindel roterar ojämnt, vibrerar kraftigt och kan leda till att du förlorar kontrollen över verktøyet.

g) Använd aldrig skadade insatsverktøy. Kontrollera före varje användning insatsverktøyet som t. ex. slippindeller avseende sprickor repor eller kraftig nedslitning. Om elverktøyet eller insatsverktøyet skulle falla ned kontrollera om skada uppstått eller montera ett oskadat insatsverktøy. Du och andra personer i närheten ska efter kontroll och montering av insatsverktøy ställa er utanför insatsverktøgets rotationsradie och sedan låta elverktøyet rotera en minut med högsta varvtal. Skadade insatsverktøy går i de flesta fall sönder vid denna provkörning.

h) Använd personlig skyddsutrustning. Använd alltefter avsett arbete ansiktsskärm, ögonskydd eller skyddsglasögon. Om så behövs, använd dammfiltermask, hörselskydd, skyddshandskar eller skyddsförkläde som skyddar mot små utslungade slipp- och materialpartiklar. Ögonen ska skyddas mot utslungade främmande partiklar som kan uppstå under arbetet. Damm- och andningskydd måste kunna filtrera bort det damm som eventuellt uppstår under arbetet. Risk finns för hörselskada under en längre tids kraftigt buller.

i) Se till att obehöriga personer hålls på betryggande avstånd från arbetsområdet. Alla som rör sign inom arbetsområdet måste använda personlig skyddsutrustning. Brottstycken från arbetsstycket eller

insatsverktygen kan slungas ut och orsaka personskada även utanför arbetsområdet.

j) Håll fast elverktyget endast vid de isolerade handtagen när arbeten utförs på ställen där insatsverktyget kan skada dolda elledningar eller egen nätsladd. Om elverktyget kommer i kontakt med en spänningsförande ledning sätts elverktygets metalldelar under spänning som sedan leder till elstöt.

k) Håll nätsladden på avstånd från roterande insatsverktyg. Om du förlorar kontrollen över elverktyget kan nätsladden kapas eller dras in varvid risk finns för att din hand eller arm dras mot det roterande insatsverktyget.

l) Lägg aldrig bort elverktyget innan insatsverktyget stannat fullständigt. Det roterande insatsverktyget kan komma i beröring med underlaget varvid risk finns för att du förlorar kontrollen över verktyget.

m) Elverktyget får inte rotera när det bärs. Kläder kan vid tillfällig kontakt med det roterande insatsverktyget dras in varvid insatsverktyget dras mot din kropp.

n) Rengör regelbundet elverktygets ventilationsöppningar. Motorfläkten drar in damm i huset och en kraftig anhopning av metalldamm kan orsaka farliga elströmmar.

o) Använd inte elverktyget i närheten av brännbara material. Risk finns för att gnistor antänder materialet.

p) Använd inte insatsverktyg som kräver flytande kylmedel. Vatten eller andra kylvätskor kan medföra elstöt.

Varning för bakslag

Ett bakslag är en plötslig reaktion hos insatsverktyget när t. ex. slipskivan, sliprondellen, stålborsten hakar upp sig eller blockerar. Detta leder till abrupt uppbromsning av det roterande insatsverktyget. Härvid accelererar ett okontrollerat elverktyg mot insatsverktygets rotationsriktning vid inklämningsstället.

Om t. ex. en slipskiva hakar upp sig eller blockerar i arbetsstycket kan slipskivans kant i arbetsstycket klämmas fast varvid slipskivan bryts sönder eller orsakar bakslag. Slipskivan rör sig nu mot eller bort från användaren beroende på skivans rotationsriktning vid inklämningsstället. Bakslag uppstår till följd av missbruk eller felaktig hantering av elverktyget. Detta kan undvikas genom skyddsåtgärder som beskrivs nedan.

a) Håll stadigt i elverktyget samt kroppen och armarna i ett läge som är lämpligt för att motstå bakslagskrafter. Använd alltid stödhandtaget för bästa möjliga kontroll av bakslagskrafter och reaktionsmoment vid start. Användaren kan genom lämpliga försiktighetsåtgärder bättre behärska bakslags- och reaktionskrafterna.

b) Håll alltid handen på betryggande avstånd från det roterande insatsverktyget. Insatsverktyget kan vid ett bakslag gå mot din hand.

c) Undvik att hålla kroppen inom det område elverktyget vid ett bakslag rör sig. Bakslag kommer att driva elverktyget i motsatt riktning till slipskivans rörelse vid inklämningsstället.

d) Var särskilt försiktig vid bearbetning av hörn, skarpa kanter osv. Håll emot så att insatsverktyget inte studsar ut från arbetsstycket eller kommer i kläm. På hörn, skarpa kanter eller vid studsning tenderar det roterande insatsverktyget att komma i kläm. Detta kan leda till att kontrollen förloras eller att bakslag uppstår.

e) Använd aldrig kedje- eller tandade sågklingor. Dessa insatsverktyg orsakar ofta ett bakslag eller förlust av kontrollen över elverktyget.

SE 12 180:
Speciella säkerhetsanvisningar för sandpappersslipning

a) Använd inte för stora slippapper, se tillverkarens uppgifter om slippapperets storlek. Slippapper som står

ut över sliprondellen kan leda till personskada, blockera, rivs sönder eller också orsaka bakslag.

PE 150:
Speciella säkerhetsanvisningar för polering

a) Se till att inga lösa delar finns på polerhättan t.ex. fastspänningsband. Kläm in eller kapa fastspänningsbanden. Lösa roterande fastspänningsband kan gripa tag i fingren eller dras in i arbetsstycket.

Anslut alltid verktyget till via en felströmbrytare (FI, RCD, PRCD) vid användning utomhus.

Avlägsna aldrig spån eller flisor när maskinen är igång.

Maskinen skall vara fränkopplad innan den anslutes till väggurtag.

Laktag största försiktighet när maskinen är igång.

Använd alltid stödhandtag.

Fränkoppla maskinen omedelbart om kraftiga vibrationer uppstår eller andra felfunktioner registreras. Kontrollera maskinen för lokalisering av orsak.

Använd och uppbevara alltid slipskivorna enligt tillverkarens anvisningar.

Vid slipning av metall uppstår gnistor. Se till att personer inte skadas. Pga brandrisken får inga brännbara material finnas i närheten (inom gnistområdet). Använd inte dammsugning!

Håll alltid maskinen så, att gnistor och slipdamm flyger i riktning från kroppen.

Fläsmuttern skall vara åtdragen innan start av maskinen.

Spänn fast arbetsstycket om det inte ligger stadigt till följd av egen vikt. För aldrig arbetsstycket för hand mot slipskivan.

Vid extrema användningsvillkor (till exempel vid planslipning av metaller med stödtallrik och slipskivor av vulkanfiber) kan det bildas mycket smuts på insidan av vinkelslipmaskinen. Vid sådana tillfällen krävs det av säkerhetsskäl såväl en grundlig rengöring från metallavlagringar på insidan som en förkoppling av en jordfelsbrytare. Om jordfelsbrytaren skulle löser ut, så måste vinkelslipmaskinen skickas på reparation.

För verktyg avsedda att förses med skivor med gängat hål, bör man kontrollera att skivans gängning är tillräckligt lång att hantera spindelns

ANVÄND MASKINEN ENLIGT ANVISNINGARNA

PE 150: Polermaskinen kan användas för polering av lack, beläggningar, plaster och andra släta ytor.

SE 12 180: Maskine är lämpad att slipa ytor på trä, plastmaterial och metall.

Maskinen får endast användas för angiven tillämpning.

STARTSTRÖMBEGRÄNSNING + MJUKSTART

Maskinens inkopplingsströmstyrka uppnår flera gånger nominella strömstyrkan. Genom startströmbegränsning reduceras inkopplingsströmmen så mycket, att en säkring (16 A trög) inte slår till.

Mjukstart för säker hantering, inget ryck vid uppstart av maskinen.

ELEKTRONIK

Elektroniken efterjusterar varvtalet vid ökad belastning.

Vid längre belastning växlar elektroniken till reducerat varvtal. Verktyget arbetar långsamt för att kyla ned motorn. Efter från-och tillkoppling kan man arbeta vidare med verktyget.

ÅTERSTARTSSKYDD

Nollspänningsutlösaren förhindrar att maskinen sätter igång omedelbart efter ett strömbrott. När arbetet återupptas ska maskinen kopplas från och kopplas till igen.

CE-FÖRSÄKRAN

Vi intygar och ansvarar för att den produkt som beskrivs under "Tekniska data" överensstämmer med alla relevanta bestämmelser i direktiv 2011/65/EU (RoHS), 2006/42/EG, 2004/108/EG (till och med April 19, 2016), 2014/30/EU (från och med 20 April 2016) och följande harmoniserade normerande dokument:

EN 60745-1:2009+A11:2010
EN 60745-2-3:2011+A2:2013+A11:2014+A12:2014+A13:2015
EN 55014-1:2006+A1:2009+A2:2011
EN 55014-2:1997+A1:2001+A2:2008
EN 61000-3-2:2014
EN 61000-3-3:2013
EN 50581:2012

Winnenden, 2016-02-08


Alexander Krug
Managing Director

Befullmäktigad att sammanställa teknisk dokumentation.

Techtronic Industries GmbH
Max-Eyth-Straße 10
71364 Winnenden
Germany

NÄTANSLUTNING

Får endast anslutas till 1-fas växelström och till den spänning som anges på dataskylten. Anslutning kan även ske till eluttag utan skyddskontakt, eftersom konstruktionen motsvarar skyddsklass II.

SKÖTSEL

Se till att motorhöljets luftslitsar är rena.

Använd endast AEG tillbehör och reservdelar. Byggdelar vars utbyte ej beskrives utväxlas bäst av AEG auktoriserad serviceverkstad. (beakta broschyrer Garanti/Kundtjänstadresser).

Vid behov kan du rekvidrera apparatens sprängskiss antingen hos kundservicen eller direkt hos Techtronic Industries GmbH, Max-Eyth-Straße 10, 71364 Winnenden, Germany. Du ska då ange maskintypen och numret på sex siffror som står på effektskylten.

SYMBOLER



OBSERVERA! VARNING! FARA!



Drag alltid ur kontakten när du utför arbeten på maskinen.



Läs instruktionen noga innan du startar maskinen.



Använd alltid skyddsglasögon.



Bär skyddshandskar!



Använd ingen kraft.



Tillbehör - Ingår ej i leveransomfånget, erhålles som tillbehör.



Elektriska maskiner och elverktyg som kasseras får inte slängas tillsammans med de vanliga hushållssoporna. Elektriska maskiner och verktyg samt elektronisk utrustning som kasseras ska samlas separat och lämnas till en avfallsstation för miljövänlig avfallshantering. Kontakta den lokala myndigheten respektive kommunen eller fråga återförsäljare var det finns speciella avfallsstationer för elskrot.



Elverktyg skyddsklass II. Elverktyg hos vilket skyddet mot elstöt inte bara är avhängigt av basisoleringen utan också av att det finns extra skyddsåtgärder, som en dubbel isolering eller en förstärkt isolering. Det finns ingen anordning för anslutning av en skyddsledare.



CE-symbol



Regulatory Compliance Mark (RCM). Produkten uppfyller kraven i de gällande föreskrifterna.



Nationell symbol för överensstämmelse Ukraina



EurAsian överensstämmelsesymbol.

TEKNISET ARVOT	Kiillotuskone/Hiomakone	PE 150	SE 12-180
Tuotantonumero	4552 16 01...	4552 20 01...	000001-999999
Nimellinen teho	1200 W	1200 W	
Antoteho	600 W	600 W	
Nimellinen kierrosluku	900-2500 min ⁻¹	1800-4800 min ⁻¹	
Max. nimellinen kierrosluku	4700 min ⁻¹	9000 min ⁻¹	
Hiomalaikan Ø	150 mm	180 mm	
Karan kierre	M 14	M 14	
Paino EPTA-menetellyn 01/2003 mukaan	2,1 kg	2,5 kg	

Melunpäästö-/täriänätiedot

Mitta-arvot määritetty EN 60 745 mukaan.

Koneen tyypillinen A-luokitettu melutaso:

Melutaso (Epävarmuus K=3dB(A))	82 dB(A)	82 dB(A)
Äänenvoimakkuus (Epävarmuus K=3dB(A))	93 dB(A)	93 dB(A)

Käytä kuulosuojaimia!

Värähtelyn yhteisarvot (kolmen suunnan vektorisumma) mitattuna EN 60745 mukaan.

Kiilloittaminen: värähtelyn päästöarvo a _n	3 m/s ²	- m/s ²
Epävarmuus K =	1,5 m/s ²	- m/s ²
Hionta muovihiomalautasta käyttäen: värähtelyn päästöarvo a _n	- m/s ²	3,3 m/s ²
Epävarmuus K =	- m/s ²	1,5 m/s ²

VAROITUS

Näissä ohjeissa mainittu värähtelytaso on mitattu EN 60745 -standardin mukaisella mittausmenetelmällä ja sitä voidaan käyttää sähkötyökalujen vertaamiseen. Sitä voidaan käyttää myös värähtelyrasituksen väliaikaiseen arviointiin.

Mainittu värähtelytaso edustaa sähkötyökalun pääasiallista käyttöä. Jos sähkötyökalua kuitenkin käytetään muihin tehtäviin, poikkeavin työkaluun tai riittämättömästi huoltaen, värähtelytaso voi olla erilainen. Se voi korottaa värähtelyrasitusta koko työajan osalta.

Tarkan värähtelyrasituksen toteamiseen tulee ottaa huomioon aika, jona laite on kytketty pois tai on kylläkin päällä, mutta ei käytössä. Se voi pienentää värähtelyrasitusta koko työajan osalta.

Määrittele lisäurvoimenpiteitä käyttäjän suojaamiseksi värinöiden vaikutukselta, kuten esimerkiksi: sähkötyökalujen ja käyttötyökalujen huolto, käsin lämpimän pitäminen, työväiheden organisointi.

VAROITUS! Lue kaikki, myös oheistetussa esitteessä annetut turvallisuusmääräykset ja käyttöohjeet. Turvallisuusohjeiden noudattamisen laiminlyönti saattaa aiheuttaa sähköiskuun, tulipaloon ja/tai vakavaan loukkaantumiseen.

Säilytä kaikki turvallisuus- ja muut ohjeet tulevaisuutta varten.

TURVALLISUUSOHJEET KIILLOTUSKONE/ HIOMAKONE

Yhteiset turvallisuusohjeet hiekkapaperihiomista ja kiillotusta:

a) Tätä sähkötyökalua tulee käyttää teräsharjamakoneena (vain mallissa PE 150) ja hiekkapaperihiomakoneena (vain mallissa SE 12 180). Ota huomioon kaikki varo-ohjeet, ohjeet, piirustukset ja tiedot, joita saat sähkötyökalun kanssa. Ellet noudata seuraavia ohjeita, saattaa se johtaa sähköiskuun, tulipaloon ja/tai vaikeisiin loukkaantumiin.

b) Tämä sähkötyökalu ei sovellu hiekkapaperilla hiomiseen (vain mallissa PE 150) tai kiilloittamiseen (vain mallissa SE 12 180), katkaisu- ja karkeahiontalaikat ja teräsharja. Sellainen käyttö, jota varten sähkötyökalua ei ole tehty, saattaa aiheuttaa vaaratilanteita ja vammoja.

c) Älä käytä mitään lisälaitteita, joita ei valmistaja ole tarkoittanut tai suositellut nimenomaan tälle sähkötyökalulle. Vain se, että pystyt kiinnittämään laitetta sähkötyökaluusi ei takaa sen turvallista käyttöä.

d) Vaihdotyökalun sallitun kierrosluvun tulee olla vähintään yhtä suuri, kuin sähkötyökalussa mainittu suurin kierrosluku. Lisätarvike, joka pyörii sallittua

suuremmalla nopeudella, saattaa murtua ja sinkoutua ympäristöön.

e) Vaihdotyökalun ulkohalkaisijan ja paksuuden tulee vastata sähkötyökalun mittatietoja. Väärin mitoitettuja vaihtotyökaluja ei voida suojata tai hallita riittävästi.

f) Hiomalaikkojen, laippojen, hiomalautasten ja muitten tarvikkeiden tulee sopia tarkasti sähkötyökalusi hiomakaraan. Vaihdotyökalut, jotka eivät sovi tarkkaan sähkötyökalun hiomakaraan pyörivät epätasaisesti, tarvitsevat voimakkaasti ja saattavat johtaa työkalun hallinnan menettämiseen.

g) Älä käytä vaurioituneita vaihtotyökaluja. Tarkista ennen jokaista käyttöä, ettei vaihtotyökalussa hiomalautasessa halkeamia tai voimakasta kulumista. Jos sähkötyökalu tai vaihtotyökalu putoaa, tulee tarkistaa, että se on kunnossa tai sitten käyttää ehjää vaihtotyökalua. Kun olet tarkistanut ja asentanut vaihtotyökalun, pidä itsemi ja lähistöllä olevat henkilöt loitolla pyörivän vaihtotyökalun tasosta ja anna sähkötyökalun käydä minuutti täydellä kierrosluvulla. Vaurioituneet vaihtotyökalut menevät yleensä rikki tässä ajassa.

h) Käytä henkilökohtaisia suojavarusteita. Käytä käytöstä riippuen kokokasvonaamiota, silmäsuojusta tai suojalaseja. Jos mahdollista, käytä polynaamaria, kuulonsuojainta, suojakäsineitä tai erikoissuojavaatetta, joka suojaa sinut pieniltä hioma- ja materiaalihiukkasilta. Silmät tulee suojata lenteleviltä vierailta esineiltä, jotka saattavat syntyä erilaisessa käytössä. Pöly- tai hengityssuojajanaamareiden täytyy suodattaa pois työstössä syntyvä pöly. Jos olet pitkään alttiina voimakkaalle melulle, saattaa se vaikuttaa heikentävästi kuuloon.

i) Varmista, että muut henkilöt pysyvät turvallisella etäisyydellä työalueeltasi. Jokaisella, joka tulee

työalueelle, tulee olla henkilökohtaiset suojavarusteet. Työkappaleen tai murtuneen vaihtotyökalun osia saattavat sinkoutua kauemmas ja vahingoittaa ihmisiä myös varsinaisen työalueen ulkopuolella.

j) Tartu sähkötyökaluun ainoastaan eristetyistä pinoista, tehdessäsi työtä, jossa saattaisit osua piilossa olevaan sähköjohtoon tai sahan omaan sähköjohtoon. Kosketus jännitteeseen johtoon saattaa myös sähkötyökalun metalliosat jännitteisiksi ja johtaa sähköiskuun.

k) Pidä verkkojohto pois pyörivistä vaihtotyökaluista. Jos menetät sähkötyökalun hallinnan, saattaa verkkojohto tulla katkaistuksi tai tarttua kiinni ja vetää kätesi tai käsivartesi kiinni pyörivään vaihtotyökaluun.

l) Älä aseta sähkötyökalua pois, ennen kuin vaihtotyökalu on pysähtynyt kokonaan. Pyörivä vaihtotyökalu saattaa koskettaa lepopintaa ja voit menettää sähkötyökalusi hallinnan.

m) Älä koskaan pidä sähkötyökalua käynnissä sitä kantaessasi. Vaatteesi voi hetkellisen kosketuksen seurauksena tarttua kiinni pyörivään vaihtotyökaluun, joka saattaa porautua kehoosi.

n) Puhdista sähkötyökalusi tuuletusaukot säännöllisesti. Moottorin tuuletin imee pölyä työkalun koteloon, ja voimakas metallipölyn kasautuma voi synnyttää sähköisiä vaaratilanteita.

o) Älä käytä sähkötyökalua palavien aineiden lähellä. Kipinät voivat sytyttää näitä aineita.

p) Älä käytä vaihtotyökaluja, jotka tarvitsevat nestemäistä jäähdytysainetta. Veden tai muiden nestemäisten jäähdytysaineden käyttö saattaa johtaa sähköiskuun.

Takaisku ja vastaavat varo-ohjeet

Takaisku on äkillinen reaktio, joka syntyy pyörivän vaihtotyökalun, kuten hiomalaikan, hiomalautasen tai teräsharjan tarttuessa kiinni tai jäädessä puristukseen. Tarttuminen tai puristukseen joutuminen johtaa pyörivän vaihtotyökalun äkilliseen pysähtymiseen. Tällöin hallitsematon vaihtotyökalu sinkoutuu tarttumakohdasta vaihtotyökalun kiertosuunnasta vastakkaiseen suuntaan. Jos esim. hiomalaikka tarttuu tai joutuu puristukseen työkappaleeseen, saattaa hiomalaikan reuna, joka on uponnut työkappaleeseen, juuttua kiinni aiheuttaen hiomalaikan ponnahduksen ulos työkappaleesta tai aiheuttaa takaiskun. Hiomalaikka liikkuu silloin käyttävää henkilöä vasten tai pois päin hänestä, riippuen laikan kiertosuunnasta tarttumakohdassa. Takaisku johtuu sähkötyökalun väärinkäytöstä tai käytöstä vääriin tarkoituksiin. Se voidaan estää sopivien varotoimien, joita selostetaan seuraavassa.

a) Pitele sähkötyökalua tukevasti ja saata kehosi ja käsivartesi asentoon, jossa pystyt vastaamaan takaiskuvuomiin. Käytä aina lisäkahvaa, jos sinulla on sellainen, jotta pystyisit parhaalla mahdollisella tavalla hallitsemaan takaiskuvuomia tai vastamomenteja työkalun ryntäkönnissä. Käyttävä henkilö pystyy hallitsemaan takaiskuja ja vastamomentivoimat noudattamalla sopivia suojatoimenpiteitä.

b) Älä koskaan tuo kättäsi lähelle pyörivää vaihtotyökalua. Vaihdotyökalu saattaa takaiskun sattuessa liikkua kätesi yli.

c) Vältä pitämistä kehoasi alueella, johon sähkötyökalu liikkuu takaiskun sattuessa. Takaisku pakottaa sähkötyökalun vastakkaiseen suuntaan hiomalaikan liikkeeseen nähdn tarttumiskohdassa.

d) Työkentele erityisen varovasti kulmien, terävien reunojen jne. alueella, estä vaihtotyökalua ponnahtamasta takaisin työkappaleesta ja juuttumasta kiinni. Pyörivällä vaihtotyökalulla on taipumus juuttua kiinni kulmissa, terävissä reunoissa tai saadessaan kimppuun. Tämä johtaa hallinnan pettämiseen tai takaiskuun.

e) Älä käytä ketjuteriä tai hammastettuja sahanteriä. Tällaiset vaihtotyökalut aiheuttavat usein takaiskun tai sähkötyökalun hallinnan menettämisen.

SE 12 180:

Erityiset varo-ohjeet hiekkapaperihiontaan

a) Älä käytä ylisuuria hiomapyöröjä, vaan noudata valmistajan ohjeita hiomapyöröjen koosta. Hiomapyöröt jotka ulottuvat hiomalautasen ulkopuolelle, saattavat aiheuttaa loukkaantumista tai johtaa kiinni juuttumiseen, hiomapyörön repeytymiseen tai takaiskuun.

PE 150:

Erityiset varo-ohjeet kiillotukseen

a) Älä hyväksy mitään irtonaisia osia kiillotushupussa, esim. kiinnitysnauhjoja. Piilota tai lyhennä kiinnitysnauhat. Irtonaiset pyörivät kiinnitysnauhat voivat tarttua sormeesi tai työkappaleeseen.

Ulkokäytössä olevat pistorasiat on varustettava vikavirtasuojajkytimillä (FI, RCD PRCD) sähkölaitteistosi asennusmääräyksen mukaisesti. Muista tarkistaa, että laite liitetään ulkokäytössä ulkopistorasiaan ja neuvottele asiasta sähköasentajasi kanssa.

Lastuja tai puruja ei saa poistaa koneen käydessä.

Varmista, että kone on sammutettu ennen kytkemistä sähköverkkoon.

Älä tartu käynnistetyn laitteen työskentelyalueelle.

Käytä aina lisäkädensija.

Pysäytä laite välittömästi jos siinä esiintyy huomattavaa värähtelyä tai huomaa muuta puutetta. Tarkista kone vian aiheuttajan määritlemiseksi.

Käytä ja säilytä aina hiomalaikat valmistajan ohjeiden mukaan.

Metallien hionnassa syntyy kipinointia. Tarkista, ettei keneliekään aiheuteta vaaraa. Tulipalovaaran takia ei lähistöllä saa olla mitään palavia aineita (kipinäetäisytydellä). Pölynpoistoa ei käytetä.

Käytä konetta siten, että lastut ja kipinät lentävät itsestäsi pois päin.

Laippamutterin on oltava kunnolla kiristetty ennen koneen käyttöönottoa.

Työstettävä kappale on kiinnitettävä, ellei se omapainonsa vuoksi pysy paikallaan. Älä koskaan vie työkappaletta kädessä hiomalaikkaa vasten.

Äärimmäisen vaikeissa käyttöolosuhteissa (esim. kiilloitettaessa metalleja tukilautasella ja vulkaanikuitu-hiomalaikoilla) saattaa kulmahiomalaitteen sisäpuolelle kertyä runsaasti likaa. Tällaisissa käyttöolosuhteissa on turvallisuusyysistä tarpeen puhdistaa vastakkaiseen suuntaan sisäosista perusteellisesti ja lisäksi tulee ehdottomasti kytkeä laitteen eteen tuototvirtavaroke (FI-katkaisin). Kun FI-katkaisin on lauennut, tulee kone lähettää korjattavaksi.

Varmista sellaisissa työkaluissa, joihin on tarkoitus kiinnittää kierteisreikäinen laikka, että laikan kierre on riittävän pitkä sopimaan karan pituuteen.

TARKOITUKSEN MUKAINEN KÄYTTÖ

PE 150: Kiillotuskonetta voidaan käyttää lakka- ja muovipintojen sekä muiden sileiden pintojen ja pinnoitteiden kiillotukseen.

SE 12 180: Tasohiomakone voidaan käyttää puun, muovin ja metallin hiomiseen.

Älä käytä tuotetta ohjeiden vastaisesti.

KÄYNNISTYSVIRRRANRAJOITUS + PEHMEÄKÄYNNISTYKSEN

Koneen käynnistysvirta on monta kertaa suurempi kuin käyntivirta. Käynnistysvirranrajoitin suojaa käynnistysvirtaa ettei 16 A hidassulake laukea.

Elektronisen pehmeäkäynnistyksen vuoksi kone kiihtyy jatkuvasti kunnes ennalta valittu nopeus on saavutettu

ELEKTRONIIKKA

Kuormituksen kasvaessa, pyörimisnopeuden säätö tapahtuu elektronisesti.

Ylikuormituksen jatkuessa pidempään, elektroninen ohjausjärjestelmä hidastaa pyörimisnopeuden. Sammuttamisen ja uudelleen käynnistämisen jälkeen, kone toimii normaalioteholla.

UUDELLEENKÄYNNISTYSSUOJA

Nollakytin estää koneen tahattoman käynnistymisen sähkökatkoksen jälkeen. Aloittaaksesi työskentelyn uudelleen, tulee virta katkaista koneesta ja kytkeä se tämän jälkeen uudelleen takaisin päälle.

TODISTUS CE-STANDARDINMUKAISUUDESTA

Vakuutamme yksinvastuullisesti, että kohdassa "Tekniset tiedot" kuvattu tuote vastaa kaikkia sitä koskevia direktiivien 2011/65/EU (RoHS), 2006/42/EY, 2004/108/EY (19 April 2016 saakka), 2014/30/EU (20 April 2016 alkaen) määräyksiä sekä seuraavia harmonisoituja standardisoivia asiakirjoja:

EN 60745-1:2009+A11:2010
EN 60745-2-3:2011+A2:2013+A11:2014+A12:2014+A13:2015
EN 55014-1:2006+A1:2009+A2:2011
EN 55014-2:1997+A1:2001+A2:2008
EN 61000-3-2:2014
EN 61000-3-3:2013
EN 50581:2012

Winnenden, 2016-02-08

Alexander Krug
Managing Director



Valtuutettu kokoamaan tekniset dokumentit.

Techtronic Industries GmbH
Max-Eyth-Straße 10
71364 Winnenden
Germany

VERKKOLIITÄNTÄ

Yhdistä ainoastaan tasavirtalähteeseen, jonka volttimäärä on sama kuin luvussa ilmoitettu. Myös liittäminen maadoittamattomiin pistokkeisiin on mahdollista, sillä tuotoilu on yhdenmukainen turvallisuuksuolokan II kanssa.

HUOLTO

Pidä moottorin ilmanottoaukot puhtaina.

Käytä vain AEG: n lisälaitteita ja varaosia. Käytä ammattitaitoisten AEG-huoltosopimusliikkeiden palveluja muiden kuin käyttöohjeessa kuvattujen osien vaihdossa. (esite takuu/huoltoliikeluettelo).

Tarvittaessa voit pyytää laitteen räjähdyssiirustuksen ilmoittaen konetyypin ja tyyppikilvessä olevan kuusinumeroisen luvun huoltopalvelustasi tai suoraan osoitteella Techtronic Industries GmbH, Max-Eyth-Strasse 10, 71364 Winnenden, Saksaa.

SYMBOLIT

HUOMIO! VAROITUS! VAARA!



Irrrota aina pistotulppa seinäkoskettimesta ennen koneeseen tehtäviä toimintoja.



Lue käyttöohjeet huolellisesti, ennen koneen käynnistämistä.



Käytä laitteella työskennellessäsi aina suojalaseja.



Käytä suojakäsineitä!



Älä käytä väkivoimaa.



Lisälaitte - Ei sisälly vakiovarustukseen, saatavana lisätarvikkeena.



Sähkölaitteita ei saa hävittää yhdessä kotitalousjätteiden kanssa. Sähkö- ja elektroniset laitteet tulee kerätä erikseen ja toimittaa kierrätysliikkeeseen ympäristöstävällistä hävittämistä varten. Pyydä paikallisilta viranomaisilta tai alan kauppiailta tarkemmat tiedot kierrätyspisteistä ja keräyspaikoista.



Suojaluokan II sähkötyökalu. Sähkötyökalu, jonka sähköiskunsuojaus ei ole riippuvainen ainoastaan peruseristyksestä, vaan myös siitä, että käytetään lisäturvatoimia, kuten kaksinkertaista eristystä tai vahvistettua eristystä. Laitteessa ei ole suojajohtimen liittämiseen tarvittavia varusteita.



CE-merkki



Regulatory Compliance Mark (RCM). Tuote on pätevien ohjesääntöjen mukainen.



Kansallinen standardinmukaisuusmerkki Ukraina



EurAsian-vaatimustenmukaisuusmerkki.

TEKNIIKA SITOIEIA TPOXOC CTIABOZH/ΓΥΑΛΟΧΑΡΤΙΕΡΑ PE 150 SE 12-180

Αριθμός παραγωγής.....	4552 16 01.....	4552 20 01.....
Όνομαστική ισχύς.....	1200 W.....	1200 W.....
Αποδιδόμενη ισχύς.....	600 W.....	600 W.....
Όνομαστικός αριθμός στροφών.....	900-2500 min ⁻¹	1800-4800 min ⁻¹
Όνομαστικός αριθμός στροφών μεγ. Μέγιστη ψ δίσκου λείανσης.....	4700 min ⁻¹	9000 min ⁻¹
Μέγιστη ψ δίσκου λείανσης.....	150 mm.....	180 mm.....
Σπείρωμα ατράκτου.....	M 14.....	M 14.....
Βάρος σύμφωνα με τη διαδικασία EPTA 01/2003.....	2,1 kg.....	2,5 kg.....

Πληροφορίες θορύβου/δονήσεων

Τιμές μέτρησης εξακριβωμένες κατά EN 60 745.

Η σύμωνα με την καμπύλη Α εκτιμηθείσα στάθμη θρύου tu μηχανήματς ανέρχεται σε:

Στάθμη ηχητικής πίεσης (Ανασφάλεια K=3dB(A))..... 82 dB(A)..... 82 dB(A)
Στάθμη ηχητικής ισχύος (Ανασφάλεια K=3dB(A))..... 93 dB(A)..... 93 dB(A)

Φοράτε προστασία ακοής (ωαπατίδες)!!

Ι ικικές τιμές κραδασμών (άθρισμα ανυσιμάτων τριών διευθύνσεων) εξακρίωθηκαν σύμφωνα με τ τριτυπ Α EN 60745.

Στάβρωμα: Τιμή εκπομπής δονήσεων a_n..... 3 m/s²..... - m/s²
Ανασάλεια K = 1,5 m/s²..... - m/s²
Λείανση με συνθετικό δίσκο λείανσης: Τιμή εκπομπής δονήσεων a_n..... - m/s²..... 3,3 m/s²
Ανασάλεια K = - m/s²..... 1,5 m/s²

ΠΡΟΕΙΔΟΠΟΙΗΣΗ

Το αναφερόμενο σ' αυτές τις οδηγίες επίπεδο δονήσεων έχει μετρηθεί με μια τυποποιημένη σύμφωνα με το EN 60745 μέθοδο μέτρησης και μπορεί να χρησιμοποιηθεί για τη σύγκριση των ηλεκτρικών εργαλείων μεταξύ τους. Αυτό είναι επίσης κατάλληλο για μια προσωρινή εκτίμηση της επιβάρυνση των δονήσεων.

Το αναφερόμενο επίπεδο δονήσεων αντιπροσωπεύει τις κύριες χρήσεις του ηλεκτρικού εργαλείου. Εάν όμως το ηλεκτρικό χρησιμοποιείται σε άλλες χρήσεις, με διαφορετικά εργαλεία εφαρμογής ή ανεπαρκή συντήρηση, μπορεί να υπάρξει απόκλιση του επιπέδου δονήσεων. Αυτό μπορεί να αυξήσει σημαντικά την επιβάρυνση των δονήσεων για τη συνολική διάρκεια της εργασίας.

Για μια ακριβή εκτίμηση της επιβάρυνσης των δονήσεων οφείλουν επίσης να λαμβάνονται υπόψη οι χρόνοι, στους οποίους η συσκευή είναι απενεργοποιημένη ή είναι με ενεργοποιημένη αλλά δεν χρησιμοποιείται πραγματικά. Αυτό μπορεί να μειώσει σημαντικά την επιβάρυνση των δονήσεων για τη συνολική διάρκεια της εργασίας.

Καθορίστε πρόσθετα μέτρα ασφαλείας για την προστασία του χειριστή από την επίδραση των δονήσεων όπως για παράδειγμα: Συντήρηση του ηλεκτρικού εργαλείου και των εργαλείων εφαρμογής, διατηρείτε ζεστά τα χέρια, οργάνωση των διαδικασιών εργασίας.

▲ ΠΡΟΕΙΔΟΠΟΙΗΣΗ! Διαβάστε όλες τις Υποδείξεις ασφαλείας και τις Οδηγίες, και αυτές στο επισυναπτόμενο φυλλάδιο. Αμέλειες κατά την τήρηση των προειδοποιητικών υποδείξεων μπορεί να προκαλέσουν ηλεκτροπληξία, κίνδυνο πυρκαγιάς ή/και σοβαρούς τραυματισμούς. Φυλάξτε όλες τις προειδοποιητικές υποδείξεις και οδηγίες για κάθε μελλοντική χρήση.

▲ ΕΙΔΙΚΕΣ ΥΠΟΔΕΙΞΕΙΣ ΑΣΦΑΛΕΙΑΣ ΤΡΟΧΟΣ ΣΤΙΛΒΩΣΗΣ/ΓΥΑΛΟΧΑΡΤΙΕΡΑ

Κονές προειδοποιητικές υποδείξεις για και λείανση με σμιριδόχαρτο και για στίλβωση

a) Αυτό το ηλεκτρικό εργαλείο πρέπει να χρησιμοποιείται σαν για στίλβωση καθώς (μόνο PE 150) και λειαντήρας με σμιριδόχαρτο (μόνο SE 12 180). Να λαμβάνετε πάντοτε υπόψη σας όλες τις προειδοποιητικές υποδείξεις, τις οδηγίες, τις απεικονίσεις και τα στοιχεία που σας παραδίνονται μαζί με το ηλεκτρικό εργαλείο. Η μη τήρηση των οδηγιών που ακολουθούν, μπορεί να οδηγήσει σε ηλεκτροπληξία, φωτιά και/ή σε σοβαρούς τραυματισμούς.

b) Αυτό το ηλεκτρικό εργαλείο δεν είναι κατάλληλο για λείανση με γυαλόχαρτο (μόνο PE 150), για γυάλισμα (μόνο SE 12 180), κόψιμο και ξεχονδρίσμα και εργασίες με μεταλλικές βούρτσες. Χρήσεις, οι οποίες δεν προβλέπονται για το ηλεκτρικό εργαλείο μπορούν να οδηγήσουν σε κινδύνους και να προκαλέσουν τραυματισμούς.

γ) Μη χρησιμοποιήσετε ποτέ εξαρτήματα που δεν προβλέπονται και δεν προτάθηκαν από τον κατασκευαστή ειδικά γι' αυτό το ηλεκτρικό εργαλείο. Μόνο η διαπίστωση ότι μπορείτε να στερεώσετε ένα εξάρτημα στο ηλεκτρικό εργαλείο σας δεν εγγυάται την ασφαλή χρήση του.

δ) Ο μέγιστος επιτρεπτός αριθμός στροφών του εργαλείου που χρησιμοποιείτε πρέπει να είναι τουλάχιστον τόσο υψηλός όσο ο μέγιστος αριθμός στροφών που αναφέρεται επάνω στο ηλεκτρικό εργαλείο. Εξαρτήματα που περιστρέφονται με ταχύτητα μεγαλύτερη από την επιτρεπτή μπορεί να καταστραφούν.

ε) Η εξωτερική διάμετρος και το πάχος του εργαλείου που χρησιμοποιείτε πρέπει να ανταποκρίνονται πλήρως στις αντίστοιχες διαστάσεις του ηλεκτρικού εργαλείου σας. Εργαλεία με εσφαλμένες διαστάσεις δεν μπορούν να καλυφθούν ή να ελεγχθούν ασφαλώς.

στ) Οι δίσκοι κοπής, οι φλάντζες, οι δίσκοι λείανσης ή άλλα εξαρτήματα πρέπει να ταιριάζουν ακριβώς επάνω στον άξονα του ηλεκτρικού εργαλείου σας. Εργαλεία που δεν ταιριάζουν ακριβώς επάνω στον άξονα περιστρέφονται ανομοιόμορφα, τραντάζονται πολύ ισχυρά και μπορεί να οδηγήσουν σε ατύχημα που ελέγχου του ηλεκτρικού εργαλείου.

ζ) Μη χρησιμοποιείτε χαλασμένα εργαλεία. Να ελέγχετε πάντοτε τα εργαλεία που πρόκειται να χρησιμοποιήσετε, π. χ. του δίσκου λείανσης για ρωγμές, φθορές ή ξεφτίσματα. Σε περίπτωση που το ηλεκτρικό εργαλείο ή κάποιο χρησιμοποιούμενο εργαλείο πέσει κάτω, τότε ελέγξτε το εργαλείο μήπως έχει υποστεί κάποια βλάβη ή χρησιμοποιήστε ένα άλλο, άψογο εργαλείο. Μετά τον έλεγχο και την τοποθέτηση του εργαλείου που πρόκειται να χρησιμοποιήσετε πρέπει να απομακρύνετε τυχόν παρειρισκόμενα πρόσωπα από το επίπεδο περιστροφής του εργαλείου, κι ακολουθώσ ν' αφήσετε το ηλεκτρικό εργαλείο να εργαστεί ένα λεπτό υπό το μέγιστο αριθμό στροφών χωρίς φορτίο. Τυχόν χαλασμένα εργαλεία σπάνε ως επί το πλείστον κατά τη διάρκεια αυτού του χρόνου δοκιμής.

η) Να φοράτε πάντοτε τη δική σας, ατομική προστατευτική ενδυμασία. Να χρησιμοποιείτε επίσης, ανάλογα με την εκάστοτε εργασία που εκτελείτε, προστατευτικές μάσκες, προστατευτικές διατάξεις ματιών ή προστατευτικά γυαλιά. Αν χρειαστεί, φορέστε και μάσκα προστασίας από σκόνη, ωαπατίδες προστατευτικά γάντια ή μια ειδική προστατευτική ποδιά, που θα σας προστατεύει από τυχόν εκσφενδονιζόμενα λειαντικά σωματίδια ή θραύσματα υλικού. Τα μάτια πρέπει να προστατεύονται από τυχόν αιωρούμενα σωματίδια που μπορεί δημιουργηθούν κατά την εκτέλεση των διάφορων εργασιών. Οι αναπνευστικές και οι προστατευτικές μάσκες πρέπει να φιλτράρουν τον αέρα και να συγκρατούν τη σκόνη που δημιουργείται κατά την εργασία. Σε περίπτωση που εκτεθείτε για πολύ χρόνο σε ισχυρό θόρυβο μπορεί να απωλέσετε την ακοή σας.

TEKNİK VERİLER	Polisaj aleti/Taşlama aleti	PE 150	SE 12-180
Üretim numarası	4552 16 01.....	4552 20 01.....
Giriş gücü	1200 W.....	1200 W.....
Çıkış gücü	600 W.....	600 W.....
Devir sayısı	900-2500 min ⁻¹	1800-4800 min ⁻¹
Maks. devir sayısı	4700 min ⁻¹	9000 min ⁻¹
taşılama disk çapı	150 mm.....	180 mm.....
Mil dişi	M 14.....	M 14.....
Ağırlığı ise EPTA-üretici 01/2003'e göre	2,1 kg.....	2,5 kg.....

Gürültü/Vibrasyon bilgileri

Ölçüm değerleri EN 60 745 e göre belirlenmektedir.

Aletin, frekansa bağımlı uluslararası ses basıncı seviyesi değerlendirme eğrisi A'ya göre tipik gürültü seviyesi:

Ses basıncı seviyesi (Tolerans K=3dB(A))	82 dB(A)	82 dB(A)
Akustik kapasite seviyesi (Tolerans K=3dB(A))	93 dB(A)	93 dB(A)

Koruyucu kulaklık kullanın!

Toplam titreşim değeri (üç yönün vektör toplamı) EN 60745'e göre belirlenmektedir:

Polisaj:Esname emisyon değeri a _n	3 m/s ²	- m/s ²
Tolerans K =	1,5 m/s ²	- m/s ²
Plastik taşılama tabağı ile taşılama: Esname emisyon değeri a _n	- m/s ²	3,3 m/s ²
Tolerans K =	- m/s ²	1,5 m/s ²

UYARI

Bu talimatlarda belirtilen titreşim seviyesi, EN 60745 standardına uygun bir ölçme metodu ile ölçülmüştür ve elektrikli el aletleri birbiriyle karşılaştırmak için kullanılabilir. Ölçüm sonuçları ayrıca titreşim yükünün geçici değerlendirmesi için de uygundur.

Belirtilen titreşim seviyesi, elektrikli el aletinin genel uygulamaları için geçerlidir. Ancak elektrikli el aleti başka uygulamalar için, farklı eklenti parçalarıyla ya da yetersiz bakım koşullarında kullanılırsa, titreşim seviyesi farklılık gösterebilir. Bu durumda, titreşim yükü toplam çalışma zaman aralığı içerisinde belirgin ölçüde yükselebilir.

Titreşim yükünün tam bir değerlendirmesi için ayrıca cihazın kapalı olduğu süreler ve cihazın çalışır durumda olduğu, ancak gerçek kullanımda bulunmadığı süreler de dikkate alınmalıdır. Böylelikle, toplam çalışma zamanı aralığı boyunca meydana gelen titreşim yükü belirgin ölçüde azaltılabilir.

Kullanıcıyı titreşimlerin etkisinden korumak üzere, örneğin elektrikli el aletlerinin ve eklenti parçalarının bakımı, ellerin sıcak tutulması ve iş akışlarının organizasyonu gibi ek güvenlik tedbirleri belirleyiniz.

⚠ UYARI! Güvenlikle ilgili bütün açıklamaları, talimatları ve ilişikteki broşürde yazılı bulunan hususları okuyunuz. Açıklanan uyarılara ve talimat hükümlerine uyulmadığı takdirde elektrik çarpmalarına, yangınlara ve/veya ağır yaralanmalara neden olunabilir.

Bütün uyarıları ve talimat hükümlerini ileride kullanmak üzere saklayın.

⚠ GÜVENLİĞİNİZ İÇİN TALİMATLAR POLİSAJ ALETİ/ TAŞLAMA ALETİ

Kumlu zımpara kağıdı ile zımparalama ve polisaj için müşterek uyarılar:

a) Bu elektrikli el aleti kumlu zımpara kağıdı ile zımparalama olarak kullanılmak üzere geliştirilmiştir (sadece şu tiplerde PE 150) ve polisaj (sadece şu tiplerde SE 12 180). Elektrikli el aleti ile birlikte teslim edilen bütün uyarılara, talimata, şekillere ve verilere uyun hareket edin. Aşağıdaki talimat hükümlerine uymadığınız takdirde elektrik çarpması, yangın veya ağır yaralanma tehlikesi ile karşılaşabilirsiniz.

b) Bu elektrikli alet zımpara kağıdı taşılaması (sadece şu tiplerde PE 150) ve polisaj (sadece şu tiplerde SE 12 180) yapılması için uygun değildir, ayırma ve kaba taşılama ile tel fırça ve ayırma taşılatıcıları. Elektrikli alet için öngörülmemiş kullanımlar risklere ve yaralanmalara sebebiyet verebilir.

c) Üretici tarafından özel olarak bu alet öngörülmemiş ve tavsiye edilmeyen aksesuar kullanmayın. Bir aksesuarı elektrikli el aletinize takabiliyor olmanız güvenli kullanımı garanti etmez.

d) Kullanılan ucun müsaade edilen devir sayısı en azından elektrikli el aletinin tip etiketinde belirtilen devir

parçacıklar etrafa savrularak çalışma alanınızın dışındaki kişileri de yaralayabilir.

j) Çalışırken alet ucunun görünmeyen elektrik akımı ileten kablolarla veya aletin kendi şebeke kablosuna temas etme olasılığı varsa elektrikli el aletini sadece izolasyonu tutacağından tutun. Elektrik gerilimi ileten kablolarla temasa gelinince elektrikli el aletinin metal parçaları da elektrik gerilimine maruz kalır ve elektrik çarpmasına neden olur.

k) Şebeke bağlantı kablosunu dönen uçlardan uzak tutun. Elektrikli el aletinin kontrolünü kaybederseniz, şebeke bağlantı kablosu ayrılabilir veya uç tarafından tutulabilir ve el veya kollarınız dönmekte olan uca temas edebilir.

l) Uç tam olarak durmadan elektrikli el aletini elinizden bırakmayın. Dönmekte olan uç aleti bırakcağınız yüzeye temas edebilir ve elektrikli el aletinin kontrolünü kaybedebilirsiniz.

m) Elektrikli el aletini çalışır durumda taşımayın. Giysileriniz rastlari sonucu dönmekte olan uç tarafından tutulabilir ve uç bedeninize temas edebilir.

n) Elektrikli el aletinizin havalandırma deliklerini düzenli olarak temizleyin. Motor fanı tozu gövdeye çeker ve metal tozunun aşırı birikimi elektrik çarpması tehlikesini ortaya çıkarır.

o) Elektrikli el aletini yanıcı malzemenin yakınında kullanmayın. Kıvılcıklar bu malzemeyi tutuşturabilir.

p) Sıvı soğutucu madde gerektiren uçları kullanmayın. Suyun veya diğer sıvı soğutucu maddenin kullanımı elektrik çarpmasına neden olabilir.

Geri tepme ve buna ait uyarılar

Geri tepme, dönmekte olan taşılama disk, zımpara tablası, tel fırça ve benzeri uçların takılması veya bloke olması sonucu ortaya çıkan ani tepkidir. Takılma ve blokeaj dönmekte olan ucun ani olarak durmasına neden olur. Bu gibi durumlarda elektrikli el aleti blokeaj yerinden ucun dönme yönünün tersine doğru savrulur.

Örneğin bir taşılama disk iki parçası içinde takılır veya bloke olursa, taşılama diskinin içine giren kenarı tutulur ve disk kırılır veya geri tepme kuvvetinin ortaya çıkmasına neden olur. Bu durumda taşılama disk blokeaj yerinden, diskin dönme yönüne bağlı olarak kullanıcıya doğru veya kullanıcının tersine hareket eder.

Geri tepme kuvveti elektrikli el aletinin yanlış veya hatalı kullanımı sonucu ortaya çıkar. Geri tepme kuvvetleri aşağıda açıklanan koruyucu önlemlerle önlenir.

a) Elektrikli el aletini sıkıca tutun ve bedeniniz ile ellerinizi geri tepme kuvvetlerini rahatça karşılayabilecek duruma getirin. Alet hızlanırken ortaya çıkabilecek geri tepme kuvvetlerini veya reaksiyon momentlerini optimal ölçüde karşılayabilmek için eğeri varsa her zaman ek tutamağı kullanın. Kullanıcı uygun önlemler alarak geri tepme ve reaksiyon kuvvetlerine hakim olabilir.

b) Elinizi hiçbir zaman dönen ucun yakınına getirmeyin. Uç geri tepme sırasında elinize doğru hareket edebilir.

c) Bedeninizi geri tepme sırasında elektrikli el aletinin hareket edebileceği alandan uzak tutun. Geri tepme kuvveti elektrikli el aletini blokeaj yerinden taşılama diskinin dönme yönünün tersine doğru iter.

d) Özellikle köşeleri, keskin kenarları ve benzerlerini işlerken dikkatli olun. Ucun iş parçasından dışarı çıkmasını ve takılıp sıkışmasını önleyin. Dönmekte olan uç köşelerde, keskin kenarlarda çalışırken sıkışmaya eğilimlidir. Bu ise kontrol kaybına veya geri tepmeye neden olur.

e) Zincir veya dişli testere bıçağı kullanmayın. Bu gibi uçlar sık sık geri tepme kuvvetine veya elektrikli el aletinin kontrolünün kaybedilmesine neden olur.

SE 12 180: Zımpara kağıtları ile çalışmaya ait özel uyarılar

a) Boyutları yüksek zımpara kağıtlarını kullanmayın, zımpara kağıtları için üreticinin verilerine uyun. Zımpara tablasından dışarı çıkıntı yapan zımpara kağıtları yaralanmalara neden olabilirler, blokaja neden olabilirler, yırtılabilirler veya geri tepme kuvvetlerinin oluşmasına neden olabilirler.

PE 150: Zımpara kağıtları ile çalışmaya ait özel uyarılar

a) Boyutları yüksek zımpara kağıtlarını kullanmayın, zımpara kağıtları için üreticinin verilerine uyun. Zımpara tablasından dışarı çıkıntı yapan zımpara kağıtları yaralanmalara neden olabilirler, blokaja neden olabilirler, yırtılabilirler veya geri tepme kuvvetlerinin oluşmasına neden olabilirler.

Açık havadaki prizler hatalı akım koruma şalteri (FI, RCD, PRCD) ile donatılmış olmalıdır. Bu, elektrik tesisatınızdaki bir zorunluluktur. Lütfen aletimizi kullanırken bu hususa dikkat edin.

Alet çalışır durumda iken talaş ve kırpıntıları temizlemeye çalışmayın.

Aleti sadece kapalı iken prize takın.

Aletin tehlikeli olabilecek bölümlerini tutmayın.

Daima ilave sapı kullanın.

Hissedilir ölçüde titreşim oluşmaya başlarsa veya normal olmayan başka aksaklıklar ortaya çıkarsa aleti hemen kapatın. Bu aksaklıkların nedenini belirlemek için aleti kontrol edin.

Taşılama disklerini daima üreticinin talimatına uygun olarak kullanın ve saklayın.

Taşılama işlemi sırasında ortaya çıkan kıvılcıklara dikkat edin, yanıcı malzemeler tutuşabilir.

Aleti daima, kıvılcıklar veya taşılama tozu bedeninizden uzaklaşacak biçimde tutun.

Taşları keserken kilavuz kızığın kullanılması zorunludur.

Kendi ağırlığı ile güvenli biçimde durmuyorsa iş parçasının uygun bir tertibatla sıkıca tespit edilmesi gerekir. İş parçasını hiçbir zaman elinizle diske doğu tutmayın.

Aşırı kullanım koşullarında (örneğin destek levhali metallerin ve volkan ateşli taşılama levhalarının düz olarak taşlanması) açığı taşılamasının kısmında kuvvetli bir kirlenme oluşabilir. Böyle kullanım koşullarında güvenlik sebeplerinden dolayı iş bölümü metal çöküntülerinden esaslı bir şekilde temizlenmeli ve hatalı elektrik akımı (FI) koruyucu şalterin zorunlu olarak deneme devresine sokulması gerekir. FI koruyucu şalteri okuturduktan sonra makinenin tamir edilmek üzere gönderilmesi gerekir.

Klavuz delikli teker takılacak olan aletlerde, tekerdeki klavuzun mil uzunluğunu kabul edecek kadar uzun olmasına dikkat edin.

KULLANIM

PE 150: Polisaj uçları lakların, kaplamaların, plastiklerin ve diğer parlak yüzeyli malzemenin polisajı için kullanılabilir.

SE 12 180: Bu titreşimli zımpara makinesi, tahta, Q32 ve metal malzemenin düz yüzeylerini zımparalama işleri için geliştirilmiştir.

Bu alet sadece belirttiği gibi ve usulüne uygun olarak kullanılabilir.

İLK HAREKET AKIMI SINIRLANDIRMASI + YUMUŞAK İL

Aletin ilk hareket akımı anma akımının birkaç katıdır. İlk hareket akımı sınırlandırma sistemi ile start akımı sigortanın (16 A) atmayacağı ölçüde düşürülür.

Güvenli kullanım sağlayan elektronik yumuşak ilk hareket; alet çalıştırıldığında gerektirenleri önler.

ELEKTRONİK

Aletin elektronik sistemi, yüklenme artarken devir sayısını regüle eder

Motor aşırı ölçüde zorlandığında aşırı zorlama koruma donanımı devreye girer. Motor sarğularının soğuması için alet yavaş çalışmaya devam eder. Yeterli soğuma sağlandıktan sonra alet tekrar çalıştırılabilir. Bu işlem için aleti kapatın ve açın

TEKRAR ÇALIŞTIRMADA KORUMA

Sıfır gerilim şalteri elektrik kesintilerinden sonra aletin tekrar ve istenmeden çalışmasını önler. Yeniden çalışmaya başlamaan önce aleti kapatın ve tekrar çalıştırın

CE UYGUNLUK BEYANI

Tek sorumlu olarak "Teknik Veriler" bölümünde tarif edilen ürünün 2011/65/EU (RoHS), 2006/42/EC, 2004/108/EC (19 Nisan 2016'ya kadar), 2014/30/EU (20 Nisan 2016'dan) sayılı direktifin ve aşağıdaki harmonize temel belgelerin bütün önemli hükümlerine uygun olduğunu beyan etmekteyiz:

EN 60745-1:2009+A11:2010
EN 60745-2-3:2011+A2:2013+A11:2014+A12:2014+A13:2015
EN 55014-1:2006+A1:2009+A2:2011
EN 55014-2:1997+A1:2001+A2:2008
EN 61000-3-2:2014
EN 61000-3-3:2013
EN 50581:2012

Winnenden, 2016-02-08



Alexander Krug
Managing Director



Teknik evrakları hazırlamakla görevlendirilmiştir.

Techtronic Industries GmbH
Max-Eyth-Straße 10
71364 Winnenden
Germany

ŞEBEKE BAĞLANTISI

Aleti sadece tek fazlı alternatif akıma ve tip etiketi üzerinde belirtilen şebeke gerilimine bağlayın. Yapısı Koruma sınıfı II'ye girdiğinden alet koruyucu kontaklız prize de bağlanabilir.

BAKIM

Aletin havalandırma aralıklarının daima temiz tutun.

Sadece AEG aksesuarını ve yedek parçalarını kullanın. Değiştirilmesi açıklanmış olan parçaları bir AEG müşteri servisinde değiştirin (Garanti broşürüne ve müşteri servisi adreslerine dikkat edin).

Gerektiğinde cihazın ayrıntılı çizimini, güç levhası üzerindeki makine modelini ve altı haneli rakamı belirterek müşteri servisinden veya doğrudan Techtronic Industries GmbH, Max-Eyth-Straße 10, 71364 Winnenden, Germany adresinden isteyebilirsiniz.

SEMBOLLER



DİKKAT! UYARI! TEHLİKE!



Aletin kendinde bir çalışma yapmadan önce fişi prizden çekin.



Lütfen aleti çalıştırmadan önce kullanma kılavuzunu dikkatli biçimde okuyun.



Aletle çalışırken daima koruyucu gözlük kullanın.



Koruyucu eldivenlerinizi takınız!



Güç kullanmayın.



Aksesuar - Teslimat kapsamında değildir, önerilen tamamlayıcı aksesuar programında.



Elektrikli cihazların evsel atıklarla birlikte bertaraf edilmesi yasaktır. Elektrikli ve elektronik cihazlar ayrılarak biriktirilmeli ve çevreye zarar vermeden bertaraf edilmeleri için bir atık değerlendirme tesisine götürülmelidir. Yerel makamlara veya satıcınıza geri dönüşüm tesisleri ve atık toplama merkezlerini yerlerini danışınız.



Koruma sınıfı II olan elektrikli aletler. Elektrik çarpmasına karşı korumanın sadece temel izolasyona bağlı olmayıp, aynı zamanda çift izolasyon veya takviyeli izolasyon gibi ek koruyucu önlemlerin alınmasına bağlı olan elektrikli alet. Bir koruyucu iletken bağlamak için düzeneği bulunmamaktadır.



CE işareti



Regulatory Compliance Mark (RCM). Ürün yürürlükteki kuralları karşılamaktadır.



Ulusal uygunluk işareti Ukrayna



EurAsian Uyumluluk işareti

TECHNICKÁ DATA

Leštička/Bruska brusným papírem

PE 150

SE 12-180

Výrobní číslo.....	4552 16 01.....	4552 20 01.....
.....	...000001-999999.....	...000001-999999.....
Jmenovitý příkon.....	1200 W.....	1200 W.....
Odběr.....	600 W.....	600 W.....
Jmenovitá otáčky.....	900-2500 min ⁻¹	1800-4800 min ⁻¹
Max. Jmenovitá otáčky.....	4700 min ⁻¹	9000 min ⁻¹
Průměr brusného kotouče.....	180 mm.....	180 mm.....
Závit vřetene.....	M 14.....	M 14.....
Hmotnost podle prováděcího předpisu EPTA 01/2003.....	2,1 kg.....	2,5 kg.....

Informace o hluku / vibracích

Naměřené hodnoty odpovídají EN 60 745.

V třídě A posuzovaná hladina hluku přístroje činí typicky:

Hladina akustického tlaku (Kolísavost K=3dB(A)).....	82 dB(A).....	82 dB(A).....
Hladina akustického výkonu (Kolísavost K=3dB(A)).....	93 dB(A).....	93 dB(A).....

Používejte chrániče sluchu !

Celkové hodnoty vibrací (vektorový součet tří směrů) zjištěné ve smyslu EN 60745.

Leštění: hodnota vibračních emisí a _v	3 m/s ²	- m/s ²
Kolísavost K =	1,5 m/s ²	- m/s ²
Broušení plastovým brusným kotoučem: hodnota vibračních emisí a _v	- m/s ²	3,3 m/s ²
Kolísavost K =	- m/s ²	1,5 m/s ²

VAROVÁN

Úroveň chvění uvedená v tomto návodu byla naměřena podle metody měření stanovené normou EN 60745 a může být použita pro porovnání elektrického nářadí. Hodí se také pro přibližný odhad zatížení chvěním.

Uvedená úroveň chvění představuje hlavní účely použití elektrického nářadí. Jestliže se ale elektrické nářadí používá pro jiné účely, s odlišnými nástroji nebo s nedostatečnou údržbou, může se úroveň chvění odlišovat. To může značně zvýšit zatížení chvěním během celé pracovní doby.

Pro přesný odhad zatížení chvěním se musí také zohlednit časy, během kterých je přístroj vypnutý nebo kdy je sice v chodu, ale skutečně se s ním nepracuje. To může zatížení chvěním během celé pracovní doby značně snížit.

Stanovte doplňková bezpečnostní opatření pro ochranu obsluhy před účinky chvění jako například: technická údržba elektrického nářadí a nástrojů, udržování teploty rukou, organizace pracovních procesů.

VAROVÁNÍ! Seznamte se se všemi bezpečnostními pokyny a sice i s pokyny v příložené brožůře. Zanedbání při dodržování varovných upozornění a pokynů mohou mít za následek úder elektrickým proudem, požár a/nebo těžká poranění.
Všechna varovná upozornění a pokyny do budoucna uschovejte.

SPECIÁLNÍ BEZPEČNOSTNÍ UPozORNĚNÍ LEŠTÍČKA/BRUSKA BRUSNÝM PAPIREM

Společná varovná upozornění k smírkování a leštění:

a) Toto elektronářadí se používá jako leštička (pouze u PE 150) a bruska brusným papírem (pouze u SE 12 180). Dbejte všech varovných upozornění, pokynů, zobrazení a údajů, jež jste s elektronářadím obdrželi. Pokud následující pokyny nedodržíte, může to vést k úderu elektrickým proudem, požáru nebo těžkým poraněním.

b) Toto elektrické nářadí není vhodné k broušení smírkovým papírem (pouze u PE 150) k leštění (pouze u SE 12 180), řezání a hrubování brusným kotoučem a kartáčování. Použití tohoto elektrického nářadí k jiným než určeným účelům může vést k ohrožení zdraví a ke zranění.

c) Nepoužívejte žádné příslušenství, které není výrobcem speciálně pro toto elektronářadí určeno a doporučeno. Pouze to, že můžete příslušenství na Vaše elektronářadí upevnit, nezaručuje bezpečné použití.

d) Dovoleno počet otáček nasazovacího nástroje musí být minimálně tak vysoký, jako na elektronářadí uvedený nejvyšší počet otáček. Příslušenství, jež se otáčí rychleji než je dovoleno, se může rozlomit a rozletět.

e) Vnější rozměr a tloušťka nasazovacího nástroje musí odpovídat rozměrovým údajům Vašeho elektronářadí.

Špatně dimenzované nasazovací nástroje nemohou být dostatečně stíněny nebo kontrolovány.

f) Brusné kotouče, příruby, brusné talíře nebo jiné příslušenství musí přesně lícovat na brusné vřeteno Vašeho elektronářadí. Nasazovací nástroje, které přesně nelicují na brusné vřeteno elektronářadí, se nerovnoměrně točí, velmi silně vibrují a mohou vést ke ztrátě kontroly.

g) Nepoužívejte žádné poškozené nasazovací nástroje. Zkontrolujte před každým použitím nasazovací nástroje jako brusné talíře na trhliny, otěr nebo silné opotřebení. Spadne-li elektronářadí nebo nasazovací nástroj z výšky, zkontrolujte zda není poškozený nebo použijte nepoškozený nasazovací nástroj. Pokud jste nasazovací nástroj zkontrolovali a nasadili, držte se Vy a v blízkosti nacházející se osoby mimo rovinu rotujícího nasazovacího nástroje a nechte stroj běžet jednu minutu s nejvyššími otáčkami. Poškozené nasazovací nástroje většinou v této době testování prasknou.

h) Noste osobní ochranné vybavení. Podle aplikace použijte ochranu celého obličeje, ochranu očí nebo ochranné brýle. Taktéž adekvátně noste ochrannou masku proti prachu, ochranu sluchu, ochranné rukavice nebo speciální zástěru, jež Vás ochrání před malými částicemi brusiva a materiálu. Oči mají být chráněny před odletujícími cizími tělísky, jež vznikají při různých aplikacích. Protiprachová maska či respirátor musejí při používání vznikalý prach odfiltrovat. Pokud jste dlouho vystaveni silnému hluku, můžete utrpět ztrátu sluchu.

i) Dbejte u ostatních osob na bezpečnou vzdálenost k Vaší pracovní oblasti. Každý, kdo vstoupí do této pracovní oblasti, musí nosit osobní ochranné vybavení. Úlomky obrobku nebo ulomených nasazovacích nástrojů

mohou odlétnout a způsobit poranění i mimo přímou pracovní oblast.

j) Pokud provádíte práce, při kterých může nasazovací nástroj zasáhnout skrytá elektrická vedení nebo vlastní síťový kabel, pak uchopte elektrónářadí pouze na izolovaných plochách držadla. Kontakt s vedením pod napětím přivádí napětí i na kovové díly elektrónářadí a vede k úderu elektrickým proudem.

k) Držte síťový kabel daleko od otáčejících se nasazovacích nástrojů. Když ztratíte kontrolu nad strojem, může být přerušeno nebo zachycen síťový kabel a Vaše ruka nebo paže se může dostat do otáčejícího se nasazovacího nástroje.

l) Nikdy neodkládejte elektrónářadí dříve, než se nasazovací nástroj dostal zcela do stavu klidu. Otáčející se nasazovací nástroj se může dostat do kontaktu s odkládací plochou, čímž můžete ztratit kontrolu nad elektrónářadím.

m) Nenechte elektrónářadí běžet po dobu, co jej nesete. Váš oděv může být náhodným kontaktem s otáčejícím se nasazovacím nástrojem zachycen a nasazovací nástroj se může zavrtat do Vašeho těla.

n) Čistěte pravidelně větrací otvory Vašeho elektrónářadí. Ventilátor motoru vtahuje do tělesa prach a silně nahromadění kovového prachu může způsobit elektrická rizika.

o) Nepoužívejte elektrónářadí v blízkosti hořlavých materiálů. Jiskry mohou tyto materiály zapálit.

p) Nepoužívejte žádné nasazovací nástroje, které vyžadují kapalné chladicí prostředky. Použití vody nebo jiných kapalných chladicích prostředků může vést k úderu elektrickým proudem.

Zpětný ráz a odpovídající varovná upozornění

Zpětný ráz je náhlá reakce v důsledku zaseknutého nebo zablokovaného otáčejícího se nasazovacího nástroje, jako je brusný kotouč, brusný talíř, drátěný kartáč atd. Zaseknutí nebo zablokování vede k náhlému zastavení rotujícího nasazovacího nástroje. Tím nekontrolovaně elektrónářadí akceleruje v místě zablokování proti směru otáčení nasazovacího nástroje.

Pokud se např. zpřičí nebo zablokuje brusný kotouč v obrobku, může se hrana brusného kotouče, která se zanojuje do obrobku, zakousnout a tím brusný kotouč vylomit nebo způsobit zpětný ráz. Brusný kotouč se potom pohybuje k nebo od obsluhující osoby, podle směru otáčení kotouče na místě zablokování.

Zpětný ráz je důsledek nesprávného nebo chybného použití elektrónářadí. Lze mu zabránit vhodnými preventivními opatřeními, jak je následně popsáno.

a) Držte elektrónářadí dobře pevně a uveďte Vaše tělo a paže do polohy, ve které můžete zachytit síly zpětného rázu. Je-li k dispozici, použijte vždy přidávanou rukojeť, abyste měli co největší možnou kontrolu nad silami zpětného rázu nebo reakčních momentů při rozběhu. Obsluhující osoba může vhodnými preventivními opatřeními zvládnout síly zpětného rázu a reakčního momentu.

b) Nikdy nedávejte Vaši ruku do blízkosti otáčejících se nasazovacích nástrojů. Nasazovací nástroj se při zpětném rázu může pohybovat přes Vaši ruku.

c) Vyhýbejte se Vaším tělem oblastí, kam se bude elektrónářadí při zpětném rázu pohybovat. Zpětný ráz vřaní elektrónářadí v místě zablokování do opačného směru k pohybu brusného kotouče.

d) Zvlášť opatrně pracujte v místech rohů, ostrých hran apod. Zabraňte, aby se nasazovací nástroj odrazil od obrobku a vzpřičil. Rotující nasazovací nástroj je u rohů, ostrých hran a pokud se odrazí náhle vzhůru ve vzpřičení se. Toto způsobí ztrátu kontroly nebo zpětný ráz.

e) Nepoužívejte žádný článkový nebo ozubený pilový kotouč. Takovéto nasazovací nástroje způsobují často zpětný ráz nebo ztrátu kontroly nad elektrónářadím.

SE 12 180:

Zvláštní varovná upozornění ke smirkování

a) Nepoužívejte žádné předimenzované brusné listy, ale dodržujte údaje výrobce k velikosti brusných listů. Brusné listy, které vyčnívají přes brusný talíř, mohou způsobit poranění a též vést k zablokování, roztržení brusných listů nebo ke zpětnému rázu.

PE 150:

Zvláštní varovná upozornění k leštění

a) Nepřipustěte žádné uvolněné části na leštícím potahu, zvláště upevňovací prvky. Upevňovací prvky dobře urovnejte nebo zkratěte. Volné, spolu se otáčející upevňovací prvky mohou zachytit Vaše prsty nebo se zamotat do obrobku.

Ve venkovním prostředí musí být zásuvky vybaveny proudovým chráničem (FI, RCD, PRCD). Je to vyžadováno instalačním předpisem pro toto el.zařízení. Dodržujte ho při používání tohoto nářadí, prosím.

Pokud stroj běží, nesmí být odstraňovány třísky nebo odštěpky.

Stroj zapínat do zásuvky pouze když je vypnutý.

Nesahejte do nebezpečného prostoru běžícího stroje.

Vždy používejte doplňkové maadlo.

Stroj okamžitě vypněte, zjistíte-li neobvyklé vibrace nebo jiné problémy. Stroj přezkoušejte, abyste zjistili příčinu problému.

Kotouče používejte a skladujte podle doporučení výrobce.

Při broušení kovů odletují jiskry. Dbejte, aby nedošlo k poškození osob. V blízkosti (kam zaletují jiskry) se nesmí nacházet žádné hořlavé látky - nebezpečí požáru. Nepoužívejte odsavač prachu.

Stroj držte při práci tak, aby jiskry a brusný prach odletovaly od těla.

Upínací matice kotouče musí být před spuštěním stroje utažená.

Obráběný kus musí být řadně upnut, není-li dostatečně těžký.

Při extrémních pracovních podmínkách (např. při hladkém vybrušování kovů opěrným kotoučem a brusným kotoučem z vulkánifibru) se uvnitř ruční úhlové brusky mohou nahromadit nečistoty. Za těchto pracovních podmínek je bezpodmínečně nutné důkladně vyčistit vnitřní prostor a zbavit jej kovových usazenin a zařadit před brusku automatický spínač v obvodu diferenciální ochrany. Po aktivaci tohoto spínače se musí úhlová bruska zaslat k opravě servisnímu středisku.

U brusiva vybaveného podložkou se závitem zajistit, aby byl závit dostatečně dlouhý pro hřídel.

OBLAST VYUŽITÍ

PE 150: Leštička je vhodná k leštění laků, umělých hmot a jiných hladkých ploch.

SE 12 180: Vibrační tělem bruska je vhodná k plošnému broušení dřeva, umělých hmot a kovů.

Toto zařízení lze používat jen pro uvedený účel.

OMEZENÍ ROZBĚHOVÉHO PROUDU + ŘÍZENÍ MĚKKÝ ROZBĚH

Zapínací proud brusky je mnohonásobkem jmenovitého proudu. Díky omezení rozběhového proudu je zapínací proud redukován do té míry, že nevypne pojistka (16 A pomalá).

Elektronicky řízený měkký rozběh pro bezpečnější použití stroje zabraňuje i trhavému pohybu při rozběhu stroje.

ELEKTRONIKA

Elektronika udržuje konstantní otáčky při zátěži.

Při delším přetížení přepne elektronika na snížené otáčky. Stroj běží pomalu dále, aby se rychleji ochladil. Po vypnutí a opětovném zapnutí lze stroj opět zatěžovat jmenovitým výkonem.

OCHRANA PROTI OPĚTOVNĚMU NÁBĚHU

Ochranný spínač zabrání znovu rozběhnutí stroje při obnově napětí v síti po předchozím výpadku. Nejprve je nutné dát spínač do polohy vypnuto a potom Zapnout.

CE-PROHLÁŠENÍ O SHODĚ

Výhradně na vlastní zodpovědnost prohlašujeme, že se výrobek popsaný v „Technických údajích“ shoduje se všemi relevantními předpisy směrnice 2011/65/EU (RoHS), 2006/42/ES, 2004/108/ES (do April 19, 2016), 2014/30/EU (od 20 April 2016) a s následujícími harmonizovanými normativními dokumenty:

EN 60745-1:2009+A11:2010
EN 60745-2-3:2011+A2:2013+A11:2014+A12:2014+A13:2015
EN 55014-1:2006+A1:2009+A2:2011
EN 55014-2:1997+A1:2001+A2:2008
EN 61000-3-2:2014
EN 61000-3-3:2013
EN 50581:2012

Winnenden, 2016-02-08

Alexander Krug
Managing Director

Zplnomocněn k sestavování technických podkladů.

Techtronic Industries GmbH
Max-Eyth-Straße 10
71364 Winnenden
Germany

PŘIPOJENÍ NA SÍŤ

Připojit pouze do jednofázové střídavé sítě o napětí uvedeném na štítku. Lze připojit i do zásuvky bez ochranného kontaktu neboť spotřebič je třídy II.

ÚDRŽBA

Větrací šterbiny nářadí udržujeme stále čisté.

Používejte výhradně příslušenství a náhr.díly AEG. Díly jejichž výměna nebyla popsána nechte vyměnit v autorizovaném servisu AEG (Dbejte pokynů uvedených v záručním listě.)

V případě potřeby si můžete v servisním centru pro zákazníky nebo přímo od firmy Techtronic Industries GmbH, Max-Eyth-Straße 10, 71364 Winnenden, Německo vyžádat schematický náčrt jednotlivých dílů přístroje, když uvedete typ přístroje a šestimístné číslo na výkonovém štítku.

SYMBOLY



POZOR! VAROVÁN! NEBEZPEČÍ!



Před zahájením veškerých prací na stroji vytáhnout síťovou zástrčku ze zásuvky.



Před spuštěním stroje si pečlivě pročtěte návod k používání.



Při práci se strojem neustále nosit ochranné brýle.



Používejte ochranné rukavice!



Nepoužívejte sílu.



Příslušenství není součástí dodávky, viz program příslušenství.



Elektrické přístroje se nesmí likvidovat společně s odpadem z domácností. Elektrické a elektronické přístroje je třeba sbírat odděleně a odevzdat je v recyklačním podniku na ekologickou likvidaci. Na místních úřadech nebo u vašeho specializovaného prodejce se informujte na recyklační podniky a sběrné dvory.



Elektrický přístroj s třídou ochrany II. Elektrický přístroj, u kterého ochrana před zásahem el. proudem závisí nejen na základní izolaci, ale i na tom, že budou použita také doplňková ochranná opatření, jakými jsou dvojité izolace nebo zesílená izolace. Neexistuje žádné zařízení pro připojení ochranného vodiče.



Značka CE



Regulatory Compliance Mark (RCM). Produkt splňuje platné předpisy.



Národní znak shody Ukrajiny



Euroasijská značka shody

TECHNICKÉ ÚDAJE	Leštička/Brúska	PE 150	SE 12-180
Výrobné číslo.....	4552 16 01.....	4552 20 01.....
Menovitý príkon.....	1200 W.....	1200 W.....
Výkon.....	600 W.....	600 W.....
Menovitý počet obrátok.....	900-2500 min ⁻¹	1800-4800 min ⁻¹
Max. menovitý počet obrátok.....	4700 min ⁻¹	9000 min ⁻¹
Priemer brúsneho kotúča.....	150 mm.....	180 mm.....
Závit vretena.....	M 14.....	M 14.....
Hmotnosť podľa vykonávacieho predpisu EPTA 01/2003.....	2,1 kg.....	2,5 kg.....

Informácia o hluku / vibráciách

Namerané hodnoty určené v súlade s EN 60745.

V triede A posudzovaná hladina hluku prístroja činí typicky:

Hladina akustického tlaku (Kolisavosť K=3dB(A)).....	82 dB(A).....	82 dB(A).....
Hladina akustického výkonu (Kolisavosť K=3dB(A)).....	93 dB(A).....	93 dB(A).....

Používajte ochranu sluchu!

Celkové hodnoty vibrácií (vektorový súčet troch smerov) zistené v zmysle EN 60745.

Leštenie: hodnota vibračných emisií a _h	3 m/s ²	- m/s ²
Kolisavosť K =.....	1,5 m/s ²	- m/s ²
Brúsenie s plastovým brúsnym kotúčom: hodnota vibračných emisií a _h	- m/s ²	3,3 m/s ²
Kolisavosť K =.....	- m/s ²	1,5 m/s ²

POZOR

Úroveň vibrácií uvedená v týchto pokynoch bola nameraná meracou metódou, ktorú stanovuje norma EN 60745 a je možné ju použiť na vzájomné porovnanie elektrického náradia. Hodí sa aj na predbežné posúdenie kmitavého namáhania.

Uvedená úroveň vibrácií reprezentuje hlavné aplikácie elektrického náradia. Ak sa však elektrické náradie používa pre iné aplikácie, s odlišnými vloženími nástrojmi alebo s nedostatočnou údržbou, môže sa úroveň vibrácií líšiť. Toto môže kmitavé namáhanie v priebehu celej pracovnej doby podstatne zvýšiť.

Pre presný odhad kmitavého namáhania by sa mali tiež zohľadniť doby, v ktorých je náradie vypnuté alebo je síce v chode, ale v skutočnosti sa nepoužíva. Toto môže kmitavé namáhanie v priebehu celej pracovnej doby zreteľne redukovat'.

Stanovte dodatočné bezpečnostné opatrenia pre ochranu obsluhy pred účinkami vibrácií, ako napríklad: údržba elektrického náradia a vložných nástrojov, udržiavanie teploty rúk, organizácia pracovných postupov.

POZOR! Zoznámte sa so všetkými bezpečnostnými pokynmi a síce aj s pokynmi v priloženej brožúre.

Zanedbanie dodržiavania Výstražných upozornení a pokynov uvedených v nasledujúcich textoch môže mať za následok zásah elektrickým prúdom, spôsobíť požiar a/alebo ťažké poranenie.

Tieto Výstražné upozornenia a bezpečnostné pokyny starostlivo uschovajte na budúce použitie.

ŠPECIÁLNE BEZPEČNOSTNÉ POKYNY LEŠTIČKA/BRÚSKA

Bezpečnostné pokyny pre brúsenie brúsnym papierom a leštenie:

a) Toto ručné elektrické náradie sa používa ako leštička (len pri PE 150) a ako brúska na brúsenie skleneným papierom (len pri SE 12 180). Rešpektujte všetky výstražné upozornenia, pokyny, obrázky a údaje, ktoré ste dostali s týmto ručným elektrickým náradím. Ak by ste nedodržiavali nasledujúce pokyny, mohlo by to mať za následok zásah elektrickým prúdom, vznik požiaru a/alebo vážne poranenie.

b) Toto elektrické náradie nie je vhodné k brúseniu šmirglovým papierom (len pri PE 150), k lešteniu (len pri SE 12 180), rezaniu a hrubovaniu brúsnym kotúčom a kefovanie. Použitie tohto elektrického náradia k iným než určeným účelom môže viesť k ohrozeniu zdravia a k zraneniu.

c) Nepoužívajte žiadne také príslušenstvo, ktoré nebolo výrobcom určené a odporúčané špeciálne pre toto ručné elektrické náradie. Okolnosť, že príslušenstvo sa dá na ručné elektrické náradie upevniť, ešte neznamená, že to zaručuje jeho bezpečné použitie.

d) Pripustný počet obrátok pracovného nástroja musí byť minimálne taký vysoký ako maximálny počet obrátok uvedený na ručnom elektrickom náradí. Príslušenstvo,

ktoré sa otáča rýchlejšie, ako je prípustné, by sa mohlo rozlámať a rozletieť po celom priestore pracoviska.

e) Vonkajší priemer a hrúbka pracovného nástroja musia zodpovedať rozmerovým údajom uvedeným na ručnom elektrickom náradí. Nesprávne dimenzované pracovné nástroje nemôžu byť dostatočne odclonené a kontrolované.

f) Brúsne kotúče, príruby, brúsne taniere alebo iné príslušenstvo musia presne pasovať na brúsne vreteno Vášho ručného elektrického náradia. Pracovné nástroje, ktoré presne nepasujú na brúsne vreteno ručného elektrického náradia, sa otáčajú nerovnomerne a intenzívne vibrujú, čo môže mať za následok stratu kontroly nad náradím.

g) Nepoužívajte žiadne poškodené pracovné nástroje. Pred každým použitím tohto ručného elektrického náradia skontrolujte, či nie sú pracovné nástroje, vyštrbené alebo vylomené, či nemajú brúsne taniere vylomené miesta, trhliny alebo miesta intenzívneho opotrebovania. Keď ručné elektrické náradie alebo pracovný nástroj spadli na zem, prekontrolujte, či nie sú poškodené, alebo použite nepoškodený pracovný nástroj. Keď ste prekontrolovali a upli pracovný nástroj, zabezpečte, aby ste neboli v rovine rotujúceho nástroja, a aby sa tam ani nenachádzali žiadne iné osoby, ktoré sú v blízkosti Vášho pracoviska, a nechajte ručné elektrické náradie bežať jednu minútu na maximálne obrátky. Poškodené pracovné nástroje sa obyčajne počas tejto doby testovania zlomia.

h) Používajte osobné ochranné prostriedky. Podľa druhu použitia náradia používajte ochranný štít na celú tvár, štít na oči alebo ochranné okuliare. Pokiaľ je to primerané, používajte ochrannú dýchaciu masku, chrániče sluchu, pracovné rukavice alebo špeciálnu zásteru, ktorá Vás uchráni pred odletujúcimi drobnými čiastočkami brusiva a obrábaného materiálu. Predovšetkým oči treba chrániť pred odletujúcimi cudzími telieskami, ktoré vznikajú pri rôznom spôsobe používania náradia. Ochrana proti prachu

alebo ochranná dýchacia maska musia predovšetkým odfiltrovať konkrétny druh prachu, ktorý vzniká pri danom druhu použitia náradia. Keď je človek dlhšiu dobu vystavený hlasnému hluku, môže utrpieť stratu sluchu.

i) Zabezpečte, aby sa iné osoby nachádzali v bezpečnej vzdialenosti od Vášho pracoviska. Každá osoba, ktorá vstúpi do pracovného dosahu náradia, musí byť vybavená osobnými ochrannými pomôckami. Úlomky obrobu alebo zlomený pracovný nástroj môžu odletieť a spôsobiť poranenie osôb aj mimo priameho pracoviska.

j) Elektrické náradie držte za izolované plochy rukovätí pri vykonávaní takej práce, pri ktorej by mohol rezací nástroj natrafiť na skryté elektrické vedenie alebo zasiahnuť vlastnú prívodnú šnúru náradia. Kontakt s vedením, ktoré je pod napätím, spôsobí, že aj kovové súčiastky náradia sa dostanú pod napätie, čo má za následok zásah obsluhujúcej osoby elektrickým prúdom.

k) Zabezpečte, aby sa prívodná šnúra nenachádzala v blízkosti rotujúcich pracovných nástrojov náradia. Ak stratíte kontrolu nad ručným elektrickým náradím, môže sa prerušiť alebo zachytiť prívodná šnúra a Vaša ruka a Vaše predlaktie sa môžu dostať do rotujúceho pracovného nástroja.

l) Nikdy neodkladajte ručné elektrické náradie skôr, ako sa pracovný nástroj úplne zastaví. Rotujúci pracovný nástroj sa môže dostať do kontaktu s odkladacou plochou, následkom čoho by ste mohli stratiť kontrolu nad ručným elektrickým náradím.

m) Nikdy nemajte ručné elektrické náradie zapnuté vtedy, keď ho prenášate na iné miesto. Náhodným kontaktom Vašich vlasov alebo Vášho oblečenia s rotujúcim pracovným nástrojom by sa Vám pracovný nástroj mohol zavítať do tela.

n) Pravidelne čistite vetracie otvory svojho ručného elektrického náradia. Ventilátor motora vŕhajú do telesa náradia prach a veľké nahromadenie kovového prachu by mohlo spôsobiť vznik nebezpečného zásahu elektrickým prúdom.

o) Nepoužívajte toto ručné elektrické náradie v blízkosti horľavých materiálov. Odletujúce iskry by mohli tieto materiály zapáliť.

p) Nepoužívajte žiadne také pracovné nástroje, ktoré potrebujú chladenie kvapalinou. Používanie vody alebo iných tekutých chladiacich prostriedkov môže mať za následok zásah elektrickým prúdom.

Spätný ráz a príslušné výstražné upozornenia

Spätný ráz je náhlu reakciou náradia na vzpriečený, zaseknutý alebo blokujúci pracovný nástroj, napríklad brúsny kotúč, brúsny tanier, drôtená kefa a pod. Zaseknutie alebo zablokovanie vedie k náhlemu zastaveniu rotujúceho pracovného nástroja. Takýmto spôsobom sa nekontrolované ručné elektrické náradie rozkrúti na zablokovanom mieste proti smeru otáčania pracovného nástroja.

Keď sa napríklad brúsny kotúč vzpriechi alebo zablokuje v obrobru, môže sa hrana brúsneho kotúča, ktorá je zapichnutá do obrobru, zachytiť v materiáli a tým sa vylomiť z brúsneho taniera, alebo spôsobíť spätý ráz náradia. Brúsny kotúč sa potom pohybuje smerom k osobe alebo smerom pred od nej podľa toho, aký bol smer otáčania kotúča na mieste zablokovania.

Spätný ráz je následkom nesprávneho a chybného používania ručného elektrického náradia. Vhodnými preventívnymi opatreniami, ktoré popisujeme v nasledujúcom texte, mu možno zabrániť.

a) Ručné elektrické náradie vždy držte pevne a svoje telo a ruky udržiavajte vždy v takej polohe, aby ste vydržali prípadný spätý ráz náradia. Pri každej práci používajte prídavnú rukoväť, ak ju máte k dispozícii, aby ste mali čo najväčšiu kontrolu nad silami spätného rázu a reakčnými momentmi pri rozbehu náradia. Pomocou vhodných opatrení môže obsluhujúca osoba sily spätného rázu a sily reakčných momentov zvládnuť.

b) Nikdy nedávajte ruku do blízkosti rotujúceho pracovného nástroja. Pri spätnom ráze by Vám mohol pracovný nástroj zasiahnuť ruku.

c) Nemajte telo v priestore, do ktorého by sa mohlo ručné elektrické náradie v prípade spätného rázu vymrštiť. Spätý ráz vymršti ručné elektrické náradie proti smeru pohybu brúsneho kotúča na mieste blokovania.

d) Mimoriadne opatrne pracujte v oblasti rohov, ostrých hrán a pod. Zabráňte tomu, aby obrobok vymrštil pracovný nástroj proti Vám, alebo aby sa v ňom pracovný nástroj zablokoval. Rotujúci pracovný nástroj má sklon zablokovať sa v rohoch, na ostrých hranách alebo vtedy, keď je vyhodnený. To spôsobí stratu kontroly nad náradím alebo jeho spätný ráz.

e) Nepoužívajte žiadny reťazový ani iný ozubený pilový list. Takéto pracovné nástroje často spôsobujú spätý ráz alebo stratu kontroly nad ručným elektrickým náradím.

SE 12 180:

Osobitné bezpečnostné pokyny pre brúsenie brúsnym papierom

a) Nepoužívajte žiadne nadrozmerné brúsne listy, ale dodržiavajte údaje výrobcu o rozmeroch brúsnych listov. Brúsne listy, ktoré presahujú okraj brúsneho taniera, môžu spôsobiť poranenie a viesť k zablokovaniu, alebo k roztrhnutiu brúsnych listov alebo k spätnému rázu.

PE 150:

Osobitné výstražné upozornenia pre leštenie

a) Nepripúšťte, aby boli uvoľnené niektoré súčiastky leštiaceho návlaku, najmä upevňovacie šnúrky. Upevňovacie šnúrky založte alebo skráťte. Uvoľnené otáčajúce sa upevňovacie šnúrky by Vám mohli zachytiť prsty, alebo by sa mohli zachytiť v obrobru.

Zásuvky vo vonkajšom prostredí musia byť vybavené ochranným spínačom proti prúdovému nárazom (FI, RCD, PRCD). Toto je inštalácia predpis na Vaše elektrické zariadenie. Venujte prosím tomuto pozornosti pri používaní nášho prístroja.

Triesky alebo úlomky sa nesmú odstraňovať za chodu stroja.

Len vypnutý stroj pripájajte do zásuvky.

Nesiahať do nebezpečnej oblasti bežiaceho stroja.

používať vždy prídavnú rukoväť.

Ak za chodu prístroja dôjde k výraznému kmitaniu alebo sa vyskytnú iné nedostatky, okamžite ho vypnite. Stroj skontrolujte, aby ste zistili príčinu.

Brúsny kotúč používať a uskladňovať vždy podľa návodu výrobcu.

Pri brúsení kovov dochádza k lietaniu iskier. Dávajte pozor, aby neboli ohrozené žiadne osoby. Z dôvodu nebezpečia požiaru nesmú byť v blízkosti (oblast' lietania iskier) žiadne horľavé materiály. Nepoužívajte odsávač prachu.

Prístroj držať vždy tak, aby iskry a brúsny prach lietali smerom od tela.

Pred uvedením stroja do prevádzky musí byť prírubová matica dotiahnutá.

Opracovávaný obrobok musí byť pevne upnutý, pokiaľ nedrží vlastnou váhou. Nikdy nevedte obrobok rukou proti kotúču.

Pri extrémnych pracovných podmienkach (napr. pri hladkom vybrusovaní kovov opernými kotúčom a brusným kotúčom z vulkánfibru) sa vnútri ručnej uhlovej brúsky môžu nahromadiť nečistoty. Za týchto pracovných podmienok je bezpodmienečne nutné dôkladne vyčistiť vnútorný priestor a zbaviť ho kovových usadenín a zariadení pred brúskou automatický spínač v obvodě diferenciálnej ochrany. Po aktivovaní tohto spínača sa musí uhlová brúska zasiať do servisu na opravu.

Pri brúsných materiáloch, ktoré majú byť vybavené kotúčom so závitom, je potrebné sa uistiť, či dĺžka závitú pre vreteno je dostatočná.

POUŽITIE PODĽA PREDPISOV

PE 150: Leštička je vhodná na leštenie lakov, ochranných vrstiev, plastov a iných hladkých povrchov.

SE 12 180: Brúška je vhodná na plošné brúsenie dreva, plastu a kovu.

Tento prístroj sa smie používať len v súlade s uvedenými predpismi.

OBMEDZENIE NÁBEHOVÉHO PRÚDU + JEMNÝ NÁBEH

Prúd pri zapnutí stroja je niekoľkonásobne vyšší ako menovitý prúd. Obmedzením nábehového prúdu sa výška prúdu pri zapnutí redukuje tak, aby istič (16 A, s tlmením) neprerušil obvod.

Elektronický jemný nábeh pre bezpečné ovládanie zabraňuje trhavému nábehu stroja pri zapnutí.

ELEKTRONIKA

Elektronika reguluje otáčky pri stúpajúcej záťaži.

Pri dlhšom preťažení prepne elektronika na redukované otáčky. Stroj zotráva v pomalých otáčkach kvôli chladeniu vynutia motora. Po vypnutí a opätovnom zapnutí je možné so strojom ďalej pracovať v oblasti menovitého zaťaženia.

OCHRANA PROTI OPĀTOVNÉMU NÁBEHU

Spínač nulového napätia zabraňuje samočinnému spusteniu stroja pri výpadku prúdu. Po obnovení dodávky prúdu je potrebné stroj vypnúť a opäť zapnúť.

CE - VYHLÁSENIE KONFORMITY

Výhradne na vlastnú zodpovednosť vyhlasujeme, že výrobok popísaný v „Technických údajoch“ sa zhoduje so všetkými relevantnými predpismi smernice 2011/65/EU (RoHs), 2006/42/EC, 2004/108/ES (do April 19, 2016), 2014/30/EU (od 20 April 2016) a nasledujúcimi harmonizujúcimi normatívnymi dokumentmi:

EN 60745-1:2009+A11:2010
EN 60745-2-3:2011+A2:2013+A11:2014+A12:2014+A13:2015
EN 55014-1:2006+A1:2009+A2:2011
EN 55014-2:1997+A1:2001+A2:2008
EN 61000-3-2:2014
EN 61000-3-3:2013
EN 50581:2012

Winnenden, 2016-02-08


Alexander Krug
Managing Director



Spĺnomocnený zostaviť technické podklady.

Technronic Industries GmbH
Max-Eyth-Straße 10
71364 Winnenden
Germany

SIEŤOVÁ PRÍPOJKA

Pripájať len na jednofázový striedavý prúd a na sieťové napätie uvedené na štítku. Pripojenie je možné aj do zásuviek bez ochranného kontaktu, pretože ide o konštrukciu ochrannej triedy II.

ÚDRZBA

Vetracie otvory udržiavať stále v čistote. Používať len AEG príslušenstvo a náhradné diely. Súčiastky bez návodu na výmenu treba dat vymeniť v jednom z AEG

zákazníckych centier (viď brožúru Záruka/Adresy zákazníckych centier).

V prípade potreby si môžete v servisnom centre pre zákazníkov alebo priamo od firmy Technronic Industries GmbH, Max-Eyth-Straße 10, 71364 Winnenden, Nemecko, vyžiadať schematický náčrt jednotlivých dielov prístroja pri uvedení typu prístroja a šesťmiestneho čísla na výkonnom štítku.

SYMBOLY



POZOR! NEBEZPEČENSTVO!



Pred každou prácou na stroji vyťahnite zástrčku zo zásuvky.



Pred prvým použitím prístroja si pozorne prečítajte návod na obsluhu.



Pri práci so strojom vždy noste ochranné okuliare.



Používajte ochranné rukavice!



Nepoužívajte silu.



Príslušenstvo - nie je súčasťou štandardnej výbavy, odporúčané doplnenie z programu príslušenstva.



Elektrické prístroje sa nesmú likvidovať spolu s odpadom z domácností. Elektrické a elektronické prístroje treba zbierať oddelene a odovzdať ich v recyklačnom podniku na ekologickú likvidáciu. Na miestnych úradoch alebo u vášho špecializovaného predajcu sa spýtajte na recyklačné podniky a zberné dvory.



Elektrický prístroj triedy ochrany II. Elektrický prístroj, pri ktorom ochrana pred zásahom el. prúdom závisí nie len od základnej izolácie, ale aj od toho, že budú použité aj doplnkové ochranné opatrenia, akými sú dvojitá izolácia alebo zosilnená izolácia. Neexistuje žiadne zariadenie na pripojenie ochranného vodiča.



Značka CE



Regulatory Compliance Mark (RCM). Produkt spĺňa platné predpisy.



Národný znak zhody Ukrajiny



Euroázijská značka zhody

DANE TECHNICZNE	Polerka/Szlifierka	PE 150	SE 12-180
Numer produkcyjny.....	4552 16 01.....	4552 20 01.....	4552 20 01.....
Znamionowa moc wyjściowa.....	1200 W.....	1200 W.....	1200 W.....
Moc użyteczna.....	600 W.....	600 W.....	600 W.....
Znamionowa prędkość obrotowa.....	900-2500 min ⁻¹	1800-4800 min ⁻¹	1800-4800 min ⁻¹
Maks. znamionowa prędkość obrotowa.....	4700 min ⁻¹	9000 min ⁻¹	9000 min ⁻¹
Srednica tarczy ścierniej.....	150 mm.....	150 mm.....	150 mm.....
Gwint wrzeciona roboczego.....	M 14.....	M 14.....	M 14.....
Ciężar wg procedury EPTA 01/2003.....	2,1 kg.....	2,5 kg.....	2,5 kg.....

Informacja dotycząca szumów/wibracji

Zmierzone wartości wyznaczono zgodnie z normą EN 60745.

Poziom szumów urządzenia oszacowany jako A wynosi typowo:

Poziom ciśnienia akustycznego (Niepewność K=3dB(A))..... 82 dB(A)..... 82 dB(A)

Poziom mocy akustycznej (Niepewność K=3dB(A))..... 93 dB(A)..... 93 dB(A)

Należy używać ochroniaczy uszu!

Wartości łączne drgań (suma wektorowa trzech kierunków)

wyznaczone zgodnie z normą EN 60745

Polerowanie: wartość emisji drgań a_w..... 3 m/s²..... - m/s²

Niepewność K = 1,5 m/s²..... - m/s²

Szlifowanie z pomocniczą tarczą ścierną: wartość emisji drgań..... 3,3 m/s²

Niepewność K = 1,5 m/s²..... 1,5 m/s²

OSTRZEŻENIE

Podany w niniejszych instrukcjach poziom drgań został zmierzony za pomocą metody pomiarowej zgodnej z normą EN 60745 i może być użyty do porównania ze sobą elektronarzędzi. Nadaje się on również do tymczasowej oceny obciążenia robocznego.

Podany poziom drgań reprezentuje główne zastosowania elektronarzędzia. Jeśli jednakże elektronarzędzie użyte zostanie do innych celów z innymi narzędziami roboczymi lub nie jest dostatecznie konserwowane, wtedy poziom drgań może wykazywać odchylenia. Może to wyraźnie zwiększyć obciążenie wibracjami przez cały okres pracy.

Dla dokładnego określenia obciążenia wibracjami należy uwzględnić również czasy, w których urządzenie jest wyłączone względnie jest włączone, lecz w rzeczywistości nie pracuje. Może to spowodować wyraźną redukcję obciążenia wibracyjnego w całym okresie pracy.

Należy wprowadzić dodatkowe środki zapobiegawcze celem ochrony obsługującego przed oddziaływaniem drgań, jak na przykład: konserwacja narzędzi roboczych i elektronarzędzi, nagrzanie rąk, organizacja przebiegu pracy.

▲ OSTRZEŻENIE! Prosimy o przeczytanie wskazówek bezpieczeństwa i zaleceń, również tych, które zawarte są w załączonej broszurze. Błędy w przestrzeganiu poniższych wskazówek mogą spowodować porażenie prądem, pożar i/lub ciężkie obrażenia ciała. **Należy starannie przechowywać wszystkie przepisy i wskazówki bezpieczeństwa dla dalszego zastosowania.**

▲ INSTRUKCJE DOTYCZĄCE BEZPIECZEŃSTWA POLERKA/SZLIFIERKA

Wspólne wskazówki ostrzegawcze dotyczące szlifowania okładziną ścierna i polerowania:

a) Elektronarzędzie należy używać jako maszyny do polerowania (tylko w przypadku PE 150) i szlifierki z użyciem okładziny ścierniej (tylko w przypadku SE 12 180). Należy przestrzegać wszystkich wskazówek ostrzegawczych, przepisów, opisów i danych, które otrzymali Państwo wraz z elektronarzędziem. Jeśli nie będą przestrzegane następujące przepisy, może dojść do porażenia prądem, pożaru i/lub ciężkich obrażeń ciała.

b) Niniejsze narzędzie elektryczne nie nadaje się do szlifowania papierem piaskowym (tylko w przypadku PE 150), do polerowania (tylko w przypadku SE 12 180), rozcinanie i szlifowanie zgrubne, robót z użyciem szczotek drucianych. Zastosowanie narzędzia elektrycznego do celów, do których nie jest ono przewidziane, może spowodować zagrożenia i obrażenia ciała.

c) Nie należy używać osprzętu, który nie jest przewidziany i polecany przez producenta specjalnie do tego urządzenia. Fakt, że osprzęt daje się zamontować do elektronarzędzia, nie jest gwarantem bezpiecznego użycia.

d) Dopuszczalna prędkość obrotowa stosowanego narzędzia robocznego nie może być mniejsza niż podana na elektronarzędziu maksymalna prędkość obrotowa. Narzędzie

robocze, obracające się z szybszą niż dopuszczalna prędkością, może się złamać, a jego części odprysnąć.

e) Średnica zewnętrzna i grubość narzędzia robocznego muszą odpowiadać wymiarom elektronarzędzia. Narzędzia robocze o niewłaściwych wymiarach nie mogą być wystarczająco osłonięte lub kontrolowane.

f) Ściernice, podkładki, kolnierze, talerze szlifierskie oraz inny osprzęt muszą dokładnie pasować do wrzeciona ściernicy elektronarzędzia. Narzędzia robocze, które nie pasują dokładnie do wrzeciona ściernicy elektronarzędzia, obracając się nierównomiernie, bardzo mocno wibrują i mogą spowodować utratę kontroli nad elektronarzędziem.

g) W żadnym wypadku nie należy używać uszkodzonych narzędzi roboczych. Przed każdym użyciem należy skontrolować oprzyrządowanie, np. talerz szlifierskie pod kątem pęknięć, starcia lub silnego zużycia. W razie upadku elektronarzędzia lub narzędzia robocznego, należy sprawdzić, czy nie uległo ono uszkodzeniu, lub użyć innego, nieuszkodzonego narzędzia. Jeśli narzędzie zostało sprawdzone i umocowane, elektronarzędzie należy włączyć na minutę na najwyższe obroty, zwracając przy tym uwagę, by osoba obsługująca i osoby postronne znajdujące się w pobliżu, znalazły się poza strefą obracającego się narzędzia. Uszkodzone narzędzia łamią się najczęściej w tym czasie próbnym.

h) Należy nosić osobiste wyposażenie ochronne. W zależności od rodzaju pracy, należy nosić maskę ochronną pokrywającą całą twarz, ochronę oczu lub okulary ochronne. W razie potrzeby należy użyć maski przeciwpyłowej, ochrony słuchu, rękawic ochronnych lub specjalnego futacha, chroniącego przed małymi cząstkami ściernego i obrabianego materiału. Należy chronić oczy przed unoszącymi się w powietrzu ciałami obcymi, powstałymi w czasie pracy. Maskę przeciwpyłową i ochronną dróg oddechowych muszą

filtrówac powstający podczas pracy pył. Oddziaływanie hałasu przez dłuższy okres czasu, może doprowadzić do utraty słuchu.

i) Należy uważać, by osoby postronne znajdowały się w bezpiecznej odległości od strefy zasięgu elektronarzędzia. Każdy, kto znajduje się w pobliżu pracującego elektronarzędzia, musi używać osobistego wyposażenia ochronnego. Odłamki obrabianego przedmiotu lub pęknięte narzędzia robocze mogą odpryskiwać i spowodować obrażenia również poza bezpośrednią strefą zasięgu.

j) Podczas prac, przy których elektronarzędzie mogłoby natrafić na ukryte przewody elektryczne lub na własny przewód, należy je trzymać tylko za izolowaną rękę. Pod wpływem kontaktu z przewodami będącymi pod napięciem, wszystkie części metalowe elektronarzędzia znajdują się również pod napięciem i mogą spowodować porażenie prądem osoby obsługującej.

k) Przewód sieciowy należy trzymać z dala od obracających się narzędzi roboczych. W przypadku utraty kontroli nad narzędziem, przewód sieciowy może zostać przecięty lub wciągnięty, a dłoń lub cała ręka mogą dostać się w obracającą się narzędzie robocze.

l) Nigdy nie wolno odkładać elektronarzędzia przed całkowitym zatrzymaniem się narzędzia roboczego. Obracające się narzędzie może wejść w kontakt z powierzchnią, na którą jest odłożone, przez co można stracić kontrolę nad elektronarzędziem.

m) Nie wolno przenosić elektronarzędzia, znajdującego się w ruchu. Przypadkowy kontakt ubrania z obracającym się narzędziem roboczym może spowodować jego wciągnięcie i wwiercenie się narzędzia roboczego w ciało osoby obsługującej.

n) Należy regularnie czyścić szczeliny wentylacyjne elektronarzędzia. Dmuchawa silnika wciąga kurz do obudowy, a duże nagromadzenie pyłu metalowego może spowodować zagrożenie elektryczne.

o) Nie należy używać elektronarzędzia w pobliżu materiałów łatwopalnych. Iskry mogą spowodować ich zapłon.

p) Nie należy używać narzędzi, które wymagają płynnych środków chłodzących. Użycie wody lub innych płynnych środków chłodzących może doprowadzić do porażenia prądem.

Odrzut i odpowiednie wskazówki bezpieczeństwa

Odrzut jest nagłą reakcją elektronarzędzia na zablokowanie lub zawadzenie obracającego się narzędzia, takiego jak ściernica, talerz szlifierski, szcotka druciana itd. Zaczepienie się lub zablokowanie powoduje do nagłego zatrzymania się obracającego się narzędzia roboczego. Niekontrolowane elektronarzędzie zostanie przez to szarpnięte w kierunku przeciwnym do kierunku obrotu narzędzia roboczego.

Gdy, np. ściernica zatnie się lub zakleszczy w obrabianym przedmiocie, zanurzona w materiale krawędź ściernicy, może się zablokować i spowodować jej wypadnięcie lub odrzut. Ruch ściernicy (w kierunku osoby obsługującej lub od niej) uzależniony jest wtedy od kierunku ruchu ściernicy w miejscu zablokowania.

Odrzut jest następstwem niewłaściwego lub błędnego użycia elektronarzędzia. Można go uniknąć przez zachowanie opisanych poniżej odpowiednich środków ostrożności.

a) Elektronarzędzie należy mocno trzymać, a ciało i ręce ustawić w pozycji, umożliwiającej złagodzenie odrzutu. Jeżeli w skład wyposażenia standardowego wchodzi uchwyt dodatkowy, należy go zawsze używać, żeby mieć jak największą kontrolę nad siłami odrzutu lub momentem odwodzącym podczas rozruchu. Osoba obsługująca urządzenie może opanować szarpnięcia i zjawisko odrzutu poprzez zachowanie odpowiednich środków ostrożności.

b) Nie należy nigdy trzymać rąk w pobliżu obracających się narzędzi roboczych. Narzędzie robocze może wskutek odrzutu zranić rękę.

c) Należy trzymać się z dala od strefy zasięgu, w której poruszy się elektronarzędzie podczas odrzutu. Na skutek odrzutu, elektronarzędzie przemieszcza się w kierunku przeciwnym do ruchu ściernicy w miejscu zablokowania.

d) Szczególnie ostrożnie należy obrabiać narożniki, ostre krawędzie itd. Należy zapobiegać temu, by narzędzia robocze zostały odbite lub by się one zablokowały. Obracające się narzędzie robocze jest bardziej podatne na zakleszczenie przy obróbce kątów, ostrych krawędzi lub gdy zostanie odbite. Może to stać się przyczyną utraty kontroli lub odrzutu.

e) Nie należy używać brzeszczotów do drewna lub zębatach. Narzędzia robocze tego typu często powodują odrzut lub utratę kontroli nad elektronarzędziem.

SE 12 180: Szczególne wskazówki bezpieczeństwa dla szlifowania papierem ściernym

a) Nie należy stosować zbyt wielkich arkuszy papieru ściernego. Przy wyborze wielkości papieru ściernego, należy kierować się zaleceniami producenta. Wystający poza płytę szlifierską papier ścierny może spowodować obrażenia, a także doprowadzić do zablokowania lub rozdarcia papieru lub do odrzutu.

PE 150: Szczególne wskazówki ostrzegawcze dotyczące polerowania

a) Nie wolno pozwolić na to, by przy pokrywie polerskiej znajdowały się luźne części, przede wszystkim sznurki mocujące. Sznurki mocujące należy schować lub skrócić. Luźne, kręcące się razem sznurki mocujące mogą uchwycić Państwa palce lub zaplątać się w obrabianym przedmiocie.

Urządzenia pracujące w wielu różnych miejscach, w tym poza pomieszczeniami zamkniętymi, należy podłączać poprzez ochronny (FI, RCD, PRCD) wyłącznik udarowy.

Podczas pracy elektronarzędzia nie wolno usuwać trocin ani drzazg.

Elektronarzędzie można podłączać do gniazdka sieciowego tylko wtedy, kiedy jest wyłączone.

Podczas pracy strugarki nie zbliżać się do strefy niebezpiecznej. Posługiwać się zawsze uchwytem dodatkowym.

Natychmiast wyłączyć elektronarzędzie w przypadku wystąpienia znacznych drgań lub w przypadku stwierdzenia innych usterek. Sprawdzić urządzenie w celu ustalenia przyczyny.

Tarcze szlifierskie stosować i przechowywać zgodnie z zaleceniami producenta.

Przy szlifowaniu metali powstają iskry. Nie narażać na niebezpieczeństwo żadnych osób. Ze względu na zagrożenie pożarowe w pobliżu miejsca pracy (w strefie wyrzucania iskieł) nie powinny się znajdować materiały palne. Nie stosować odpalaczy.

Elektronarzędzie trzymać zawsze w taki sposób, aby iskry i pył z przedmiotu obrabianego nie były wyrzucane na operatora.

Przed uruchomieniem urządzenia należy dokręcić nakrętkę regulacyjną.

Jeśli ciężar własny części obrabianej nie pozwala na utrzymanie jej równowagi, to należy ją mocno umocować. W żadnym wypadku nie wolno prowadzić części ręką.

W przypadku ekstremalnych warunków zastosowania (na przykład przy szlifowaniu do gładkości metali za pomocą talerzy oporowych oraz krążków ściernych z fibry) może dojść do silnego zanieczyszczenia wnętrza szlifierki ręcznej z końcówką kątową. W takich warunkach zastosowania konieczne jest pilnie dokładne oczyszczenie wnętrza z osadów metali oraz dołączenie wyłącznika ochronnego prądu uszkodzeniowego (FI). Po zadziałaniu wyłącznika ochronnego FI maszyna musi zostać odesłana do naprawy.

W przypadku elektronarzędzi, które mają współpracować z tarczami z otworem gwintowanym należy sprawdzić czy długość gwintu w tarczy odpowiada długości wrzeciona.

UŻYTKOWANIE ZGODNE Z PRZEZNACZENIEM

PE 150: Polerkę można wykorzystywać do polerowania lakierów, powłok, tworzyw sztucznych oraz innych gładkich powierzchni.

SE 12 180: Produkt może być używana do szlifowania drewna, tworzyw sztucznych oraz metalu.

Urządzenie to można użytkować wyłącznie zgodnie z przeznaczeniem.

OGRANICZENIE PRĄDU + LAGODNEGO ROZRUCHU

Prąd włączania jest większą częścią mocy znamionowej narzędzia. Przez ograniczenie prądu prąd włączania jest o tyle zredukowany, że nie jest uaktywniony bezpiecznik (16 A).

Bezpieczna obsługa dzięki elektronicznej funkcji łagodnego rozruchu zapobiegająca szarpnięciom.

UKŁAD ELEKTRONICZNY

Elektroniczna regulacja prędkości obrotowej przy wzrastającym obciążeniu.

W przypadku dłuższego okresu przeciążenia następuje elektroniczne zmniejszenie prędkości. Urządzenie pracuje wolniej do momentu ochłodzenia uzwojenia silnika. Po wyłączeniu i ponownym włączeniu możliwa jest dalsza praca elektronarzędzia przy obciążeniu znamionowym.

ZABEZPIECZENIE PRZED PONOWNYM URUCHOMIENIEM

Łącznik działający przy napięciu zerowym zapobiega uruchomieniu się narzędzia po przerwie w dopływie energii elektrycznej. Przy podejmowaniu pracy na nowo należy wyłączyć urządzenie i włączyć je ponownie.

ŚWIADECTWO ZGODNOŚCI CE

Oświadczamy na naszą wyłączną odpowiedzialność, że produkt opisany w punkcie "Dane techniczne" jest zgodny ze wszystkimi istotnymi przepisami Dyrektywy 2011/65/EU (RoHS), 2006/42/WE, 2004/108/WE (do April 19, 2016), 2014/30/UE (od 20 April 2016) oraz z następującymi zharmonizowanymi dokumentami normatywnymi:

EN 60745-1:2009+A11:2010
EN 60745-2-3:2011+A2:2013+A11:2014+A12:2014+A13:2015
EN 55014-1:2006+A1:2009+A2:2011
EN 55014-2:1997+A1:2001+A2:2008
EN 61000-3-2:2014
EN 61000-3-3:2013
EN 50581:2012

Winnenden, 2016-02-08

Alexander Krug
Managing Director



Upelnomocniony do zestawienia danych technicznych

Techtronic Industries GmbH
Max-Eyth-Straße 10
71364 Winnenden
Germany

PODŁĄCZENIE DO SIECI

Podłączać tylko do źródła zasilania prądem zmiennym jednofazowym i wyłącznie o napięciu podanym na tabliczce znamionowej. Możliwe jest również podłączenie do gniazdka bez uziemienia, ponieważ konstrukcja odpowiada II klasie bezpieczeństwa.

GWARANCJA

Otwór wentylacyjny narzędzia należy zawsze utrzymywać w czystości.

Należy stosować wyłącznie akcesoria i części zamienne AEG. Wymianę tych części, których wymiana nie została opisana, należy zlecić serwisowi AEG (dane zamieszczone są w broszurze: Gwarancja / Adresy punktów serwisowych).

W razie potrzeby można zamówić rysunek urządzenia w rozłożeniu na części podając typ maszyny oraz sześciocyfrowy numer na tabliczce znamionowej w Punkcie

Obsługi Klienta lub bezpośrednio w firmie Techtronic Industries GmbH, Max-Eyth-Straße 10, 71364 Winnenden, Germany.

SYMBOLE



UWAGA! OSTRZEŻENIE NIEBEZPIECZEŃSTWO!



Przed przystąpieniem do jakichkolwiek prac związanych z elektronarzędziem należy wyjąć wtyczkę z gniazdka.



Przed uruchomieniem elektronarzędzia zapoznać się uważnie z treścią instrukcji.



Podczas pracy należy zawsze nosić okulary ochronne.



Nosić rękawice ochronne!



Nie używać siły.



Wyposażenie dodatkowe dostępne osobno.



Urządzenia elektryczne nie mogą być usuwane razem z odpadami pochodzącymi z gospodarstw domowych. Urządzenia elektryczne i elektroniczne należy gromadzić oddzielnie i w celu usuwania ich do odpadów zgodnie z wymaganiami środowiska naturalnego oddawać do przedsiębiorstwa utylizacyjnego. Proszę zasięgnąć informacji o centrach recyklingowych i punktach zbiorczych u władz lokalnych lub u wyspecjalizowanego dostawcy.



Elektronarzędzie klasy ochrony II. Elektronarzędzie, w którym zabezpieczenie przed porażeniem prądowym zależy nie tylko od izolacji podstawowej, lecz również od tego, czy zostały zastosowane dodatkowe środki ochrony, takie jak: izolacja podwójna lub izolacja wzmocniona. Nie ma żadnego urządzenia do podłączenia przewodu ochronnego.



Znak CE



Regulatory Compliance Mark (RCM). Produkt spełnia obowiązujące przepisy.



Krajowy znak zgodności Ukraina



Znak zgodności EurAsian

MŰSZAKI ADATOK	Polírozógép/Csiszológép	PE 150	SE 12-180
Gyártási szám.....		4552 16 01.....	4552 20 01.....
Névleges teljesítményfelvétel.....		1200 W.....	1200 W.....
Leadott teljesítmény.....		600 W.....	600 W.....
Névleges fordulatszám.....		900-2500 min ⁻¹	1800-4800 min ⁻¹
Max. névleges fordulatszám.....		4700 min ⁻¹	9000 min ⁻¹
Csiszolótárcsa-Ø.....		150 mm.....	180 mm.....
Tengelymenet.....		M 14.....	M 14.....
Súly a 01/2003 EPTA-eljárás szerint.....		2,1 kg.....	2,5 kg.....

Zaj-/Vibráció-információ

A közölt értékek megfelelnek az EN 60 745 szabványnak.

A készülék munkahelyi zajszintje tipikusan:

Hangnyomás szint (K bizonytalanság=3dB(A))..... 82 dB(A)..... 82 dB(A)

Hangteljesítmény szint (K bizonytalanság=3dB(A))..... 93 dB(A)..... 93 dB(A)

Hallásvédő eszköz használata ajánlott!

Összesített rezgésértékek (három irány vektoriális összege)

az EN 60745-nek megfelelően meghatározva.

Polírozás: a_r rezgésmisszió érték..... 3 m/s²..... - m/s²

K bizonytalanság = 2 m/s²..... 1,5 m/s²..... - m/s²

Csiszolás műanyag csiszolóanyaggal: a_r rezgésmisszió érték..... 3,3 m/s²

K bizonytalanság = 2 m/s²..... 1,5 m/s²

FIGYELMEZTETÉS

A jelen utasításokban megadott rezgésszint értéke az EN 60745-ben szabályozott mérési eljárásnak megfelelően került lemérésre, és használható elektromos szerszámokkal történő összehasonlításhoz. Az érték alkalmas a rezgésterhelés előzetes megbecsülésére is.

A megadott rezgésszint-érték az elektromos szerszám legfőbb alkalmazásait reprezentálja. Ha az elektromos szerszámot azonban más alkalmazásokhoz, eltérő használt szerszámokkal vagy nem elegendő karbantartással használják, a rezgésszint értéke eltérő lehet. Ez jelentősen megnövelheti a rezgésterhelést a munkavégzés teljes időtartama alatt.

A rezgésterhelés pontos megbecsüléséhez azokat az időket is figyelembe kell venni, melyekben a készülék lekapcsolódik, vagy ugyan működik, azonban ténylegesen nincs használatban. Ez jelentősen csökkentheti a rezgésterhelést a munkavégzés teljes időtartama alatt.

Határozzon meg további biztonsági intézkedéseket a kezelő védelmére a rezgések hatása ellen, például: az elektromos és a használt szerszámok karbantartásával, a kezek melegen tartásával, a munkafolyamatok megszervezésével.

A FIGYELMEZTETÉS! Olvasson el minden biztonsági útmutatást és utasítást, a mellékelt brosúrában találhatóakat is. A következőkben leírt előírások betartásának elmulasztása áramütésekhez, tűzhoz és/vagy súlyos testi sérülésekhez vezethet. **Kérjük a későbbi használatra gondosan őrizze meg ezeket az előírásokat.**

A KÜLÖNLEGES BIZTONSÁGI TUDNIVALÓK POLÍROZÓGÉP/CSISZOLÓGÉP

Közös figyelmeztető tájékoztató a csiszolópapírral végzett csiszoláshoz és polírozáshoz:

a) Ez az elektromos kéziszerszám polírozógépként (kizárólag PE 150) és csiszolópapíros csiszológépként (kizárólag SE 12 180). Ügyeljen minden figyelmeztető jelzésre, előírásra, ábrára és adatra, amelyet az elektromos kéziszerszámmal együtt megkapott. Ha nem tartja be a következő előírásokat, akkor ez áramütéshez, tűzhoz és/vagy súlyos személyi sérülésekhez vezethet.

b) Ez az elektromos szerszám nem alkalmas csiszolópapírral való csiszoláshoz (kizárólag PE 150), polírozáshoz (kizárólag SE 12 180), vágó- és nagyoló korongok, drótkéfékkel végzendő munkákhoz. Az elektromos szerszám olyan használata, amely nem felel meg a rendeltetésének, veszélyeket és sérüléseket okozhat.

c) Ne használjon olyan tartozékokat, amelyeket a gyártó ehhez az elektromos kéziszerszámmal nem irányított elő és nem javasolt. Az a tény, hogy a tartozékok rögzíténi tudja az elektromos kéziszerszámra, nem garantálja annak biztonságos alkalmazását.

d) A betétszerszám megengedett fordulatszámának legalább akkorának kell lennie, mint az elektromos kéziszerszámmal megadott legnagyobb fordulatszám. A megengedettnél gyorsabban forgó tartozékok széttörhetnek és kirepülhetnek.

e) A betétszerszám külső átmérőjének és vastagságának meg kell felelnie az Ön elektromos kéziszerszámmal megadott méreteknél. A hibásan méretezett betétszerszámokat nem lehet megfelelően eltakarni, vagy irányítani.

f) A csiszolókorongoknak, karimáknak, csiszoló tányékoknak vagy más tartozékoknak pontosan rá kell illeszkedniük az Ön elektromos kéziszerszámmal a csiszolótengelyére. Az olyan betétszerszámok, amelyek nem illesznek pontosan az elektromos kéziszerszám csiszolótengelyéhez, egyenletlenül forognak, erősen berezegnek és a készülék feletti uralom megszűnéséhez vezethetnek.

g) Ne használjon megrongálódott betétszerszámokat. Vizsgálja meg minden egyes használat előtt a betétszerszámokat: ellenőrizze, nem pattogzott-e le és nem repedt-e meg a csiszolókorong, vagy nagy mértékben elhasználódva a csiszoló tányér, nincsenek-e a drótkéfében kilazult. Ha az elektromos kéziszerszám vagy a betétszerszám leesik, vizsgálja felül, nem rongálódott-e meg, vagy használjon egy hibátlan betétszerszámot. Miután ellenőrizte, majd behelyezte a készülékbe a betétszerszámot, tartózkodjon Ön saját maga és minden más a közelben található személy is a forgó betétszerszám síkján kívül és járassa egy percig az elektromos kéziszerszámot a legnagyobb fordulatszámmal. A megrongálódott betétszerszámok ezalatt a próbaidő alatt általában már széttörnek.

h) Viseljen személyi védőfelszerelést. Használjon az alkalmazásnak megfelelő teljes védőálcot, szemvédőt vagy védőszemüveget. Amennyiben célszerű, viseljen porvédő álcot, zajtompító fülvédőt, védő kesztyűt vagy különleges kötényt, amely távol tartja a csiszolószerszám- és anyagrézecskeket. Mindenképpen védje meg a szemét a kirepülő idegen anyagoktól, amelyek a különböző alkalmazások során keletkeznek. A por- vagy védőálcra csak meg kell szűrnie a

használat során keletkező port. Ha hosszú ideig ki van téve az erős zaj hatásának, elvesztheti a hallását.

i) Ügyeljen arra, hogy a többi személy biztonságos távolságban maradjon az Ön munkaterületétől. Minden olyan személynek, aki belép a munkaterületre, személyi védőfelszerelést kell viselnie. A munkadarab letört részei vagy a széttört betétszerszámok kirepülhetnek és a közvetlen munkaterületen kívül és személyi sérülést okozhatnak.

j) Az elektromos kéziszerszámot csak a szigetelt fogantyúfelületeknél fogva tartsa, ha olyan munkát végez, amelynek során a betétszerszám feszültség alatt áll, kívülről nem látható vezetékhez, vagy a készülék saját hálózati csatlakozó kábeljéhez érhet. Ha a berendezés egy feszültség alatt álló vezetékhez ér, az elektromos kéziszerszám fémrészei szintén feszültség alá kerülnek és áramütéshez vezethetnek.

k) Tartsa távol a hálózati csatlakozó kábelt a forgó betétszerszámoktól. Ha elveszti az uralmát az elektromos kéziszerszám felett, az átvághatja, vagy bekaphatja a hálózati csatlakozó kábelt és az Ön keze vagy karja is a forgó betétszerszámmal érhet.

l) Sohase tegye le az elektromos kéziszerszámot, mielőtt a betétszerszám teljesen leállna. A forgásban lévő betétszerszám megérintheti a támasztó felületet, és Ön ennek következtében könnyen elvesztheti az uralmát az elektromos kéziszerszám felett.

m) Ne járassa az elektromos kéziszerszámot, miközben azt a kezében tartja. A forgó betétszerszám egy véletlen érintkezés során bekaphatja a ruháját és a betétszerszám belefűrödhet a testébe.

n) Tisztítsa meg rendszeresen az elektromos kéziszerszáma szellőzőnyílásait. A motor ventilátorra beszívja a port a házba, és nagyobb mennyiségű fémpor felhalmozódása elektromos veszélyekhez vezethet.

o) Ne használja az elektromos kéziszerszámot éghető anyagok közelében. A szikrák ezeket az anyagokat meggyújthatják.

p) Ne használjon olyan betétszerszámokat, amelyek alkalmazáshoz felvékony hűtőanyagra van szükség. Víz és egyéb folyékony hűtőanyagok alkalmazása áramütéshez vezethet.

Visszarugás és megfelelő figyelmeztető tájékoztatók

A visszarugás a beékelődő vagy leblokkoló forgó betétszerszám, például csiszolókorong, csiszoló tányér, drótkéfe stb. hirtelen reakciója. A beékelődés vagy leblokkolás a forgó betétszerszám hirtelen leállításához vezet. Ez az irányított elektromos kéziszerszámot a betétszerszámmal a leblokkolási ponton fennálló forgási irányával szembeni irányban felgyorsítja.

Ha például egy csiszolókorong beékelődik, vagy leblokkol a megmunkálásra kerülő munkadarabban, a csiszolókorongnak a munkadarabba bemenülő éle leáll és így a csiszolókorong kiugorhat vagy egy visszarugást okozhat. A csiszolókorong ekkor a korongnak a leblokkolási pontban fennálló forgásirányától függően a kezelő személyi felé, vagy attól távolodva mozog.

Egy visszarugás az elektromos kéziszerszám hibás vagy helytelen használatának következménye. Ezt az alábbiakban leírásra kerülő megfelelő óvatossági intézkedésekkel meg lehet gátolni.

a) Tartsa szorosan fogva az elektromos kéziszerszámot, és hozza a testét és a karjait olyan helyzetbe, amelyben fel tudja venni a visszauttó erőket. Használja mindig a pótfogantyút, amennyiben létezik, hogy a lehető legjobban tudjon uralkodni a visszarugási erő, illetve felfutáskor a reakciós nyomatok felett. A kezelő személyi megfelelő óvatossági intézkedésekkel uralkodni tud a visszarugási és reakcióerők felett.

b) Sohase vigye a kezét a forgó betétszerszám közelébe. A betétszerszám egy visszarugás esetén a kezéhez érhet.

c) Kerülje el a testével azt a tartományt, ahová egy visszarugás az elektromos kéziszerszámot mozgatja. A visszarugás az elektromos kéziszerszámot a csiszolókorongnak a leblokkolási pontban fennálló forgásirányával ellentétes irányba hajtja.

d) A sarkok és élek közelében különösen óvatosan dolgozzon, akadályozza meg, hogy a betétszerszám lepatanjon a munkadarabról, vagy beékelődjön a munkadarabba. A forgó

betétszerszám a sarkoknál, élknél és lepattanás esetén könnyen beékelődik. Ez a készülék feletti uralom elvesztéséhez, vagy egy visszarugáshoz vezet.

e) Ne használjon fafűrészlapot, vagy fogazott fűrészlapot. Az ilyen betétszerszámok gyakran visszarugáshoz vezetnek, vagy a kezelő elvesztheti az uralmát az elektromos kéziszerszám felett.

SE 12 180:

Külön figyelmeztetések és tájékoztató a csiszolópapír alkalmazásával történő csiszoláshoz

a) Ne használjon túl nagy csiszolólapokat, hanem kizárólag a gyártó által előírt méretet. A csiszoló tányéron túl kilógó csiszolólapok személyi sérülést okozhatnak, valamint a csiszolólapok leblokkolásához, szétéppődéséhez, vagy visszarugáshoz vezethetnek.

PE 150:

Külön figyelmeztetések és tájékoztató a polírozáshoz

a) Ne tegye lehetővé, hogy a polírozóburán laza részek, mindeneke előtt rögzítő zsinórok legyenek. Megfelelően rögzítse, vagy rögzítse le a rögzítő zsinórokat. A géppel együtt forgó laza rögzítő zsinórok bekaphatják a kezelő ujjait, vagy beakadhatnak a munkadarabba.

Szabadban a dugóját hibaáram-védőkapcsolóval kell ellátni. Az elektromos készülékek üzembehelyezési útmutatása ezt kötelezően előírja (FI, RCD, PRCD). Ügyeljen erre az elektromos kéziszerszámok használatakor is.

A munka közben keletkezett forgácsokat, szilánkokat, törmelékét, stb. csak a készülék teljes leállása után szabad a munkaterületről eltávolítani.

A készüléket csak kikapcsolt állapotban szabad ismét áram alá helyezni.

A működő készülék munkaterületére nyúlani balesetveszélyes és tilos.

A készüléket a segédfogantyúval együtt kell használni.

A készüléket azonnal ki kell kapcsolni, ha szokatlanul erős rezgés vagy más, hibára utaló jelenség lépne fel. Vizsgálja meg a készüléket, hogy mi lehet a helytelen működés oka.

A csiszolótárcsát mindig a gyártó útmutatásainak megfelelően kell használni és tárolni.

Fémek csiszolásokkor szikra keletkezhet. Ügyeljen a közelben tartózkodó személyek testi épségére, illetve a gyűlékony anyagokat távolítsa el a munkaterületről. Ne használjon porszívót.

A készüléket mindig úgy kell tartani, hogy a keletkező szikra, illetve a por ne a munkavégzőre szálljon.

A készülék használata előtt vizsgálja meg, hogy a szorítóanya megfelelően meg van-e húzva.

A munkadarabot rögzíteni kell, amennyiben saját súlya nem tartja meg biztonságosan. A munkadarabot nem szabad kézzel vezetni a tárcsa irányába.

Rendkívüli körülmények közötti használat esetén (pl. fémek támasztó tányérral és vulkanizált csiszolókoronggal történő simára csiszolásakor) erős szennyeződés keletkezhet a sarkocsiszoló belsejében. Ilyen használati feltételek esetén biztonsági okokból alaposan meg kell tisztítani a sarkocsiszoló belsejét a fémlerakódásoktól, és feltétlenül hibaáram védőkapcsolót (FI-relé) kell a készülék elé kapcsolni. A FI-védőkapcsoló működésbe lépése után a gépet be kell küldeni javításra.

Azoknál a szerszámnál amelyeket menetes csiszolókkal kíván használni, győződjön meg róla, hogy a csiszoló elég hosszú ahhoz, hogy elfogadja a tengely hosszát.

RENDELTESSZERŰ HASZNÁLAT

PE 150: A polírozót lakkok, fedőrétegek, műanyagok és más sima felületek polírozására használhatja.

SE 12 180: A csiszoló használható fa, műanyag és fém csiszolására.

A készüléket kizárólag az alábbiakban leírtaknak megfelelően szabad használni.

INDÍTÓÁRAM KORLÁTOZÁS + LÁGYINDÍTÁS

Bekapcsoláskor a készülék áramfelvétele többszöröse a névleges áramfelvételnek. Az indítóáram korlátozás segítségével a bekapcsolási áramfelvétel olyan mértékben csökken, hogy a 16 A-es biztosíték nem kapcsol le.

Elektronikus lágyindítás a biztonságos használat érdekében; megelőzi a gép lökésszerű felfutását.

ELEKTRONIKA

Növekvő terhelés esetén az elektronika szabályozza a fordulatszámot.

Huzamosabb túlterhelés esetén az elektronika csökkentett fordulatszámra kapcsol. A készülék alacsony fordulatszámon jár tovább, hogy a motor tekeréscselése megfelelően lehűljön. Ki-, majd ismételt bekapcsolást követően a készülékkel a névleges terhelési tartományban lehet tovább dolgozni.

ÚJRAINDULÁS ELLENI VÉDELEM

A nullafeszültség-kapcsoló megakadályozza a gép újboli beindulását áramszünet után. Ismételt munkakezdésnél a gépet ki, majd megint be kell kapcsolni.

CE-AZONOSSÁGI NYILATKOZAT

Egyedüli felelősséggel kijelentjük, hogy a „Műszaki Adatok” alatt leírt termék a 2011/65/EU (RoHS), 2006/42/EK, 2004/108/EK (do April 19, 2016), 2014/30/EU (da 20 April 2016) irányelvek minden releváns előírásának, ill. az alábbi harmonizált normatív dokumentumoknak megfelel:

EN 60745-1:2009+A11:2010
EN 60745-2-3:2011+A2:2013+A11:2014+A12:2014+A13:2015
EN 55014-1:2006+A1:2009+A2:2011
EN 55014-2:1997+A1:2001+A2:2008
EN 61000-3-2:2014
EN 61000-3-3:2013
EN 50581:2012

Winnenden, 2016-02-08

Alexander Krug
Managing Director



Műszaki dokumentáció összeállításra felhatalmazva

Techtronic Industries GmbH
Max-Eyth-Straße 10
71364 Winnenden
Germany

HÁLÓZATI CSATLAKOZTATÁS

A készüléket csak egyfázisú váltóáramra és a teljesítménytáblán megadott hálózati feszültségre csatlakoztassa. A csatlakoztatás védőérintkező nélküli dugaszolóaljzatokra is lehetséges, mivel a készülék felépítése II védettségű osztályú.

KARBANTARTÁS

A készülék szellőzőnyílásait mindig tisztán kell tartani.

Javításhoz, karbantartáshoz kizárólag AEG alkatrészeket és tartozékokat szabad használni. A készülék azon részeinek cseréjét, amit a kezelési útmutató nem engedélyez, kizárólag a javításra feljogosított márkaszerviz végezheti. (Lásd a szervizlistát)

Igény esetén a készülékről robbantott rajz kérhető a géptípus és a teljesítménycímként található hatjegyű szám megadásával az Ön vevőszolgálatánál, vagy közvetlenül a Techtronic Industries GmbH-től a Max-Eyth-Straße 10, 71364 Winnenden, Németország címen.

SZIMBÓLUMOK



FIGYELEM! FIGYELMEZTETÉS! VESZÉLY!



Bármilyen jellegű karbantartás vagy javítás előtt a készüléket áramtalanítani kell.



Kérjük alaposan olvassa el a tájékoztatót mielőtt a gépet használja.



Munkavégzés közben ajánlatos védőszemüveget viselni.



Hordjon védőkesztyűt!



Ne alkalmazzon erőt.



Azokat a tartozékokat, amelyek gyárilag nincsenek a készülékhez mellékelve, külön lehet megrendelni.



Az elektromos eszközöket nem szabad háztartási hulladékkal együtt ártalmatlanítani. Az elektromos és elektronikus eszközöket szelektíven kell gyűjteni, és azokat környezetbarát ártalmatlanítás céljából hulladékhasznosító üzemben kell leadni. A helyi hatóságoknál vagy szakkereskedőjénél tájékozódjon a hulladékudvarokról és gyűjtőhelyekről.



II. védelmi osztályú elektromos szerszám. Olyan elektromos szerszám, amelynél az elektromos áramütés elleni védelem nem csak az alapszigeteléstől függ, hanem amelyben kiegészítő védőintézkedéseket, mint pl. kettős szigetelés vagy megerősített szigetelés, alkalmaznak. Nincs lehetőség védőérintkező csatlakoztatására.



CE-jelölés



Regulatory Compliance Mark (RCM). A termék teljesíti az érvényben lévő előírásokat.



Ukrán nemzeti megfelelőségi jelölés



Eurázsiai megfelelőségi jelzés.

TEHNIČNI PODATKI

Polirniki/Brusilniki

PE 150

SE 12-180

Proizvodna številka.....	4552 16 01.....	4552 20 01.....
Nazivna sprejemna moč.....	1200 W.....	1200 W.....
Oddajna zmogljivost.....	600 W.....	600 W.....
Nazivno število vrtljajev.....	900-2500 min ⁻¹	1800-4800 min ⁻¹
Maks. nazivno število vrtljajev.....	4700 min ⁻¹	9000 min ⁻¹
Brusilne plošče ø.....	150 mm.....	180 mm.....
Vretenasti navoj.....	M 14.....	M 14.....
Teža po EPTA-proceduri 01/2003.....	2,1 kg.....	2,5 kg.....

Informacije o hrupnosti/vibracijah

Vrednosti merjenja ugotovljene ustrezno z EN 60 745.

Raven hrupnosti naprave ovrednotena z A, znaša tipično:

Nivo zvočnega tlaka (Nevarnost K=3dB(A)).....	82 dB(A).....	82 dB(A).....
Višina zvočnega tlaka (Nevarnost K=3dB(A)).....	93 dB(A).....	93 dB(A).....

Nosite zaščito za sluh!

Skupna vibracijska vrednost (Vektorska vsota treh smeri)

določena ustrezno EN 60745.

Poliranje: Vibracijska vrednost emisij a_h..... 3 m/s²..... - m/s²

Nevarnost K =..... 1,5 m/s²..... - m/s²

Brusenje s ploščo iz umetne mase: Vibracijska vrednost emisij a_h..... - m/s²..... 3,3 m/s²

Nevarnost K =..... - m/s²..... 1,5 m/s²

OPOZORILO

V teh navodilih navedena raven tresljajev je bila izmerjena po EN60745 normiranem merilnem postopku in lahko služi medsebojni primerjavi električnih orodij. Prav tako je primeren za predhodno oceno obremenitve s tresljaji.

Navedena raven tresljajev navaja najpomembnejše vrste rabe električnega orodja. Kadar se električno orodje uporablja za drugačne namene, z odstopajočimi orodji ali pa z nezadostnim vzdrževanjem, lahko raven tresljajev tudi odstopa. Le to lahko čez celoten delovni čas znatno zviša obremenitev s tresenjem.

Za natančno oceno obremenitve s tresljaji naj bi se upošteval tudi čas v katerem je naprava izklopljena ali sicer teče, vendar dejansko ni v rabi. Le to lahko obremenitev s tresljaji čez celoten delovni čas znatno zmanjša.

Za zaščito upravljalca pred učinkom tresljajev uvedite dodatne zaščitne ukrepe npr.: Vzdrževanje električnega orodja in orodja, delo s toplimi rokami, organizacija delovnih potekov.

▲ OPOZORILO! Preberite vsa varnostna opozorila in navodila, tudi tista v priloženi brošuri. Napake zaradi neupoštevanja spodaj navedenih opozoril in napolil lahko povzročijo električni udar, požar in/ali težke telesne poškodbe. **Vsa opozorila in napolila shranite, ker jih boste v prihodnje še potrebovali.**

▲ SPECIJNI VARNOSTNI NAPOTKI POLIRNIKI/BRUSILNIKI

Skupna opozorila za brušenje z brusnim papirjem in poliranje:

a) To električno orodje se lahko uporablja za kot polirni (samo pri PE 150) ter brušenje z brusnim papirjem (samo pri SE 12 180). Upoštevajte vsa opozorila, navodila, slikovne prikaze in podatke, ki ste jih prejeli skupaj z električnim orodjem. Zaradi nespoštovanja spodaj navedenih navodil lahko pride do električnega udara, požara in/ali težkih telesnih poškodb.

b) To električno orodje ni primerno za smirkanje (samo pri PE 150), poliranje (samo pri SE 12 180), razdvajanje in grobo brušenje in delo z žičnimi krtačami. Uporaba za katero stroj ni predviden, lahko povzroči nevarnosti in poškodbe.

c) Ne uporabljajte pribora, ki ga proizvajalec za to orodje ni posebno predvidel in katerega uporabe ne priporoča. Zgolj dejstvo, da lahko nek pribor pritrpite na Vaše električno orodje, še ne zagotavlja varne uporabe.

d) Dovoljeno število vrtljajev vsadnega orodja mora biti najmanj tako visoko kot maksimalno število vrtljajev, ki je navedeno na električnem orodju. Pribor, ki se vrti hitreje kot je dovoljeno, se lahko zlomi in leti naokrog.

e) Zunanji premer in debelina vsadnega orodja morata ustrezati meram Vašega električnega orodja. Napačno

dimenzionirani vsadnih orodij ne boste mogli dovolj dobro zavarovati ali nadzorovati.

f) Brusilni koloti, prirobnice, brusilni krožniki in drug pribor se morajo natančno prilegati na brusilno vreteno Vašega električnega orodja. Vsadna orodja, ki se natančno ne prilegajo brusilnemu vretenu električnega orodja, se vrtijo neenakomerno, zelo močno vibrirajo in lahko povzročijo izgubo nadzora nad napravou.

g) Ne uporabljajte poškodovanih vsadnih orodij. Pred vsako uporabo preglejte brusilne krožnike, če nimajo razpok oziroma če niso močno obrabljeni ali izrabljeni, žične ščetke pa. Če pade električno orodje ali vsadno orodje na tla, pogledajte, če ni poškodovano in uporabljajte samo nepoškodovana vsadna orodja. Po kontroli in vstavljanju vsadnega orodja se ne zadržujte v ravnini vrtečega se vsadnega orodja, kar velja tudi za druge osebe v bližini. Električno orodje naj omo minuto deluje z najvišjim številom vrtljajev. Poškodovana vsadna orodja se največkrat zlomijo med tem preizkusnim časom.

h) Uporabljajte osebno zaščitno opremo. Odvisno od vrste uporabe si nataknite zaščitno masko čez cel obraz, zaščito za oči ali zaščitna očala. Če je potrebno, nosite zaščitno masko proti prahu, zaščitne glušnike, zaščitne rokavice ali specialni predpasnik, ki Vas bo zavaroval pred manjšimi delci materiala, ki nastajajo pri brušenju. Oči je treba zavarovati pred tučki, ki nastajajo pri različnih vrstah uporabe naprave in letijo naokrog. Zaščitna maska proti prahu ali dihalna maska morata filtrirati prah, ki nastaja pri uporabi. Predolgo izpostavljanje glasnemu hrupu ima lahko za posledico izgubo sluha.

i) Pazite, da bodo druge osebe varno oddaljene od Vašega delovnega območja. Vsak, ki stopi na delovno območje, mora nositi osebno zaščitno opremo. Odlomljeni delci obdelovanca ali zlomljena vsadna orodja

lahko odletijo stran in povzročijo telesne poškodbe, tudi izven neposrednega delovnega območja.

j) Če izvajate dela, pri katerih bi lahko vstavno orodje zadelo ob skrite električne vodnike ali ob lastni omrežni kabel, držite električno orodje samo za izolirane ročaje. Stik z vodnikom, ki je pod napetostjo, prenese napetost tudi na kovinske dele električnega orodja in povzroči električni udar.

k) Omrežnega kabla ne približujte vrtečemu se vsadnemu orodju. Če izgubite nadzor nad električnim orodjem, lahko orodje prereže ali zagrabi kabel, Vaša roka pa zaide v vrteče se vsadno orodje.

l) Ne odlagajte električnega orodja, dokler se vsadno orodje popolnoma ne ustavi. Vrteče se vsadno orodje lahko pride v stik z odlagalno površino, zaradi česar lahko izgubite nadzor nad električnim orodjem.

m) Električno orodje naj medtem, ko ga prenašate naokrog, ne deluje. Vrteče se vsadno orodje lahko zaradi naključnega kontakta zagrabi Vaše oblačilo in se zavrti v Vaše telo.

n) Prezračevalne reže Vašega električnega orodja morate redno čistiti. Ventilator motorja povleče v ohišje prah in velika količina nabranega prahu je lahko vzrok za električno nevarnost.

o) Ne uporabljajte električnega orodja v bližini gorljivih materialov. Ti materiali se lahko zaradi iskenja vnamejo.

p) Ne uporabljajte vsadnih orodij, ki za hlajenje potrebujejo tekočino. Uporaba vode ali drugih tekočin lahko povzroči električni udar.

Povratni udarec in ustrezna opozorila

Povratni udarec je nenadna reakcija, ki nastane zaradi zagozdenja ali blokiranja vrtečega se vsadnega orodja, na primer brusilnega koluta, brusilnega krožnika, žične ščetke in podobnega. Zagozdenje ali blokiranje ima za posledico takojšnjo ustavitve vrtečega se vsadnega orodja. Nekonrolirano električno orodje se zaradi tega pospešeno premakne v smer, ki je nasprotna smeri vrtenja vsadnega orodja.

Če se na primer brusilni kolot zatakne ali zablokira v obdelovancu, se lahko rob brusilnega koluta, ki je potopljen v obdelovavec, zaplete vanj in brusilni kolot se odloži ali povzroči povratni udarec. Brusilni kolot se nato premakne proti uporabniku ali proč od njega, odvisno od smeri vrtenja brusilnega koluta na mestu blokiranja.

Povratni udarec je posledica napačne ali pomanjkljive uporabe električnega orodja. Preprečite ga lahko z ustreznimi previdnostnimi ukrepi. Navedeni so v nadaljevanju besedila.

a) Dobro držite električno orodje in premaknite telo in roke v položaj, v katerem boste lahko prestregli moč povratnega udarca. Če je na voljo dodatni ročaj, ga obvezno uporabljajte in tako zagotovite najboljšo možno nadziranje moči povratnih udarcev ali reakcijskih momentov pri zagonu naprave. Z ustreznimi previdnostnimi ukrepi lahko uporabnik obvlada moč povratnih udarcev in reakcijskih momentov.

b) Nikoli z roko ne segajte v bližino vrtečih se vsadnih orodij. V primeru povratnega udarca se lahko orodje premakne čez Vašo roko.

c) Ne približujte telesa področju, v katerega se lahko v primeru povratnega udarca premakne električno orodje. Povratni udarec potisne električno orodje v smer, ki je nasprotna smeri premikanja brusilnega koluta na mestu blokiranja.

d) Posebno previdno delajte v kotih, na ostrih robovih in podobnih površinah. Preprečite, da bi vsadna orodja odskočila od obdelovanca in se zagozdila. Vrteče se vsadno orodje se v kotih, na ostrih robovih ali če odskoči, zlahka zagozdi. To povzroči izgubo nadzora ali povratni udarec.

e) Ne uporabljajte verižnih ali nazobčanih žaginskih listov. Ta vsadna orodja pogosto povzročijo povratni udarec ali izgubo nadzora nad električnim orodjem.

SE 12 180:

Posebna opozorila za brušenje z brusnim papirjem

a) Ne uporabljajte predimenzioniranih brusilnih listov, temveč upoštevajte podatke proizvajalca o velikosti žaginega lista. Brusilni listi, ki gledajo čez brusilni krožnik, lahko povzročijo telesne poškodbe ali pa blokiranje in trganje žaginega lista oziroma povratni udarec.

PE 150:

Posebna opozorila za poliranje

a) Polirna kapa ne sme imeti nobenih opletajočih delov, kar še posebno velja za pritrilne trakove. Pritrtilne trakove spravite ali skrajšajte. Opletajoči pritrilni trakovi, ki se vrtijo skupaj s polirno kapo, lahko zagrabijo Vaše prste ali se zapletejo v obdelovavec.

Vtičnice v zunanjem področju morajo biti opremljene z zaščitnimi stikali za okvarni tok (FI, RCD, PRCD). To zahteva instalacijski predpis za vašo električno napravo. Prosimo, da to pri uporabi naše naprave upoštevate.

Trske ali iveri se pri tekočem stroju ne smejo odstranjevati.

Stroj priključite na vtičnico samo v izklopljenem stanju.

Ne segajte na področje nevarnosti tekočega stroja.

Vedno uporabljajte dodatni ročaj.

Napravo takoj izklopite, če nastopijo znatne vibracije ali če ugotovite drugačne pomanjkljivosti. Preverite stroj, da ugotovite vzrok.

Brusilne plošče vedno uporabljajte in shranjujte v skladu z navedbami proizvajalca.

Pri brušenju kovin nastaja iskenje. Pazite na to, da ne ogrožate nobenih oseb. Zaradi nevarnosti požara se v bližini (na področju iskenja) ne smejo nahajati nobeni gorljivi materiali. Ne uporabljajte odsesavanja prahu.

Aparat vedno držite tako, da iskre ali brusilni prah letijo vstran od telesa.

Matica prirobnice mora biti pred zagonom stroja zategnjena.

Kos, ki ga želite obdelovati, mora biti trdno vpet, če ne drži že zaradi lastne teže. Nikoli obdelovalnega kosa ne vodite z roko proti plošči.

Pri ekstremnih pogojih uporabe (npr. obrusu kovin z opornim krožnikom in vulkan-fiber brusilnimi ploščami) se lahko v notranjosti kotne brusilke naberejo nečistoče. Pri tovrstnih pogojih uporabe je iz varnostnih razlogov potrebno temeljito čiščenje kovinskih oblog v notranjosti in obvezen predklop varovalnega (FI) stikala. V primeru sprožitve FI-varovalnega stikala je potrebno stroj dati v popravilo.

Pri brusilnih sredstvih, ki so opremljeni s ploščico z navojem se prepričajte, da je navoj v ploščici dovolj dolg za vreteno.

UPORABA V SKLADU Z NAMEMBNOSTJO

PE 150: Polirna priprava je uporabna za poliranje lakov, slojev, umetnih mas in drugih gladkih površin.

SE 12 180: Brusilnik je primeren za površinsko brušenje lesa, umetne mase in kovine.

Ta naprava se sme uporabiti samo v skladu z namembnostjo uporabiti samo za navede namene.

OMEJITEV ZAGONSKEGA TOKA + RAHLI ZAGON

Zagonski tok stroja je nekajkrat višji od nazivnega toka. S pomočjo omejevalnika zagonskega toka se vklopni tok reducira za toliko, da se ne aktivira varovalka (16 A inertno).

Elektronski rahli zagon za varno delovanje pri vklopu preprečuje sunkovit zagon stroja.

ELEKTRONIKA

Elektronika naknadno uravnava število vrtljajev pri naraščajoči obremenitvi.

Pri dlje trajajoči preobremenitvi elektronika preklopi na zmanjšano število vrtljajev. Stroj teče počasi dalje zaradi hlajenja navojev motorja. Po izklopu in ponovnem vklopu stroja lahko delate s strojem dalje na področju nazivne obremenitve.

ZAŠČITA PRED PONOVNIM ZAGONOM

Stikalo z ničelno napetostjo preprečuje ponovni zagon stroja po izpadu električnega toka. Pri ponovnem začetku dela stroj izklopite in ponovno vklopite.

CE-IZJAVA O KONFORMNOSTI

V lastni odgovornosti izjavljamo, da se pod "Tehnični podatki" opisan proizvod ujema z vsemi relevantnimi predpisi smernice 2011/65/EU (RoHS), 2006/42/ES, 2004/108/ES (do April 19, 2016), 2014/30/EU (od 20 April 2016) in s sledječimi harmoniziranimi normativnimi dokumenti:

EN 60745-1:2009+A11:2010
EN 60745-2-3:2011+A2:2013+A11:2014+A12:2014+A13:2015
EN 55014-1:2006+A1:2009+A2:2011
EN 55014-2:1997+A1:2001+A2:2008
EN 61000-3-2:2014
EN 61000-3-3:2013
EN 50581:2012

Winnenden, 2016-02-08



Alexander Krug
Managing Director



Pooblaščen za izdelavo spisov tehnične dokumentacije.

Techtronic Industries GmbH
Max-Eyth-Straße 10
71364 Winnenden
Germany

OMREŽNI PRIKLJUČEK

Priključite samo na enofazni izmenični tok in samo na omrežno napetost, ki je označena na tipski ploščici. Priključitev je možna tudi na vtičnice brez zaščitnega kontakta, ker obstaja nadgradnja zaščitnega razreda.

VZDRŽEVANJE

Pazite na to, da so prezračevalne reže stroja vedno čiste.

Uporabljajte samo AEG pribor in nadomestne dele.

Poskrbite, da sestavne dele, katerih zamenjava ni opisana, zamenjajo v AEG servisni službi (upoštevajte brošuro Garancija/Naslovi servisnih služb).

Po potrebi je mogoče pri vašem servisnem mestu ali neposredno pri Techtronic Industries GmbH, Max-Eyth-Straße 10, 71364 Winnenden, Germany, naročiti eksplozijsko risbo naprave ob navedbi tipa stroja in na tablici navedene šestmestne številke.

SIMBOLI



POZOR! OPOZORILO! NEVARNO!



Pred vsemi deli na stroju izvlecite vtičač iz vtičnice.



Prosimo, da pred uporabo pazorno preberete to navodilo za uporabo.



Pri delu s strojem vedno nosite zaščitna očala.



Nositi zaščitne rokavice



Brez uporabe sile.



Oprema – ni vsebovana v obsegu dobave, priporočeno dopolnilo iz programa opreme.



Električnih naprav ni dovoljeno odstranjevati skupaj z gospodinjstvi odpadki. Električne in elektronske naprave je potrebno zbirati ločeno in za okolju prijazno odstranitev, oddati podjetju za reciklažo. Pri krajevnem uradu ali vašem strokovnem prodajalcu se poiznajmite glede reciklažnih dvorišč in zbirnih mest.



Električno orodje zaščitnega razreda II. Električno orodje, pri katerem zaščita pred električnim udarom ni odvisna zgolj od osnovne izolacije, temveč tudi od tega, da so uporabljeni dodatni ukrepi, kot dvojna ali okrepljena izolacija. Ni priprave za priključek zaščitnega vodnika.



CE-znak



Regulatory Compliance Mark (RCM). Proizvod izpolnjuje veljavne predpise.



Nacionalna oznaka skladnosti Ukrajina



EurAsian oznaka o skladnosti.

TEHNIČKI PODACI	Polirač/Brusač	PE 150	SE 12-180
Broj proizvodnje.....	4552 16 01.....	4552 20 01.....
Snaga nominalnog prijema.....	1200 W.....	1200 W.....
Predajni učinak.....	600 W.....	600 W.....
Nazivni broj okretaja.....	900-2500 min ⁻¹	1800-4800 min ⁻¹
Maks. nazivni broj okretaja.....	4700 min ⁻¹	9000 min ⁻¹
Brusne ploče-Ø.....	150 mm.....	180 mm.....
Navoj vretena.....	M 14.....	M 14.....
Težina po EPTA-proceduri 01/2003.....	2,1 kg.....	2,5 kg.....

Informacije o buci/vibracijama

Mjerne vrijednosti utvrđene odgovarajuće EN 60 745.

A-ocijenjeni nivo buke aparata iznosi tipično:

nivo pritiska zvuka (Nesigurnost K=3dB(A)).....	82 dB(A).....	82 dB(A).....
nivo učinka zvuka (Nesigurnost K=3dB(A)).....	93 dB(A).....	93 dB(A).....

Nositi zaštitu sluha!

Ukupne vrijednosti vibracije (Vektor suma tri smjera) su odmjerene odgovarajuće EN 60745

Poliranje: Vrijednost emisije vibracije a _h	3 m/s ²	- m/s ²
Nesigurnost K =	1,5 m/s ²	- m/s ²
Brušenje sa plastičnim brusnim diskom: Vrijednost emisije vibracije a _h	- m/s ²	3,3 m/s ²
Nesigurnost K =	- m/s ²	1,5 m/s ²

UPOZORENJE

Ova u ovim uputama navedena razina titranja je bila izmjerena odgovarajuće jednom u EN 60745 normiranom mjernom postupku i može se upotrijebiti za usporedbu električnog alata međusobno. Ona je prikladna i za privremenu procjenu titrajnog opterećenja.

Navedena razina titranja reprezentira glavne primjene električnog alata. Ukoliko se električni alat upotrebljava u druge svrhe sa odstupajućim primijenjenim alatima ili nedovoljnim održavanjem, onda razina titranja može odstupati. To može titrajno opterećenje kroz cijeli period rada bitno povisiti.

Za točnu procjenu titrajnog opterećenja se moraju uzeti u obzir i vremena u kojima je uređaj isključen ili u kojima doduše radi, ali nije i stvarno u upotrebi. To može titrajno opterećenje bitno smanjiti za vrijeme cijelog radnog perioda.

Utvrđite dodatne sigurnosne mjere za zaštitu poslužioca protiv djelovanja titranja kao npr.: Održavanje električnih alata i upotrijebljenih alata, održavanje topline ruku, organizacija i radne postupke.

⚠ UPOZORENIE! Pročitajte sigurnosne upute i uputnice, isto i one iz priložene brošure. Ako se ne bi poštivala napomene o sigurnosti i upute to bi moglo uzrokovati strujni udar, požar i/ili teške ozljede. **Sačuvajte sve napomene o sigurnosti i upute za buduću primjenu.**

⚠ SPECIJALNE SIGURNOSNE UPUTE POLIRAČ/BRUSAČ

Zajedničke upute s upozorenjima za brušenje brusnim papirom i poliranje:

a) Ovaj električni alat treba koristiti kao uređaj za poliranje (samo kod PE 150) i brusilicu s brusnim papirom (samo kod SE 12 180). Pridržavajte se svih naputaka s upozorenjem, uputa, prikaza i podataka koje ste dobili s električnim alatom. Ako se ne bi pridržavali sljedećih uputa, moglo bi doći do električnog udara, požara i/ili teških ozljeda.

b) Ovaj električni alat nije prikladan za brušenje pješčaninim papirom (samo kod PE 150), za poliranje (samo kod SE 12 180), odvajacko i grubo brušenje i radove sa žičanim četkama. Primjene, za koje električni alat nije predviđen, mogu prouzročiti ugrožavanja i povrede.

c) Ne koristite pribor koji proizvođač nije posebno predvidio i preporučio za ovaj električni alat. Sama činjenica da se pribor može pričvrstiti na vaš električni alat, ne jamči sigurnu primjenu.

d) Dopušteni broj okretaja električnog alata mora biti barem toliko visok kao maksimalni broj okretaja naveden na električnom alatu. Pribor koji se vrti brže nego što je do dopušteno, mogao bi se polomiti i razletjeti.

e) Vanjski promjer i debljina radnog alata moraju odgovarati dimenzijama vašeg električnog alata.

Pogrešno dimenzionirani električni alati ne mogu se dovoljno zaštititi ili kontrolirati.

f) **Brusne ploče, prirubnice, brusni tanjuri ili ostali pribor moraju biti točno prilagođeni brusnom vretenu vašeg električnog alata.** Radni alati koji ne odgovaraju točno brusnom vretenu električnog alata, okreću se nejednolično, vrlo jako vibriraju i mogu dovesti do gubitka kontrole nad električnim alatom.

g) **Ne koristite oštećene radne alate. Prije svake primjene kontrolirajte radne alate, brusne tanjure na pukotine, trošenje ili veću istrošenost. Ako bi električni alat ili radni alat pao, provjerite da li je oštećen ili koristite neoštećeni radni alat. Kada koristite ili kontrolirate radni alat, osobe koje se nalaze blizu držite izvan ravnine rotirajućeg radnog alata i ostavite električni alat da se jednu minutu vrti sa maksimalnim brojem okretaja.** Oštećeni radni alati najčešće se lome u vrijeme ovakvih ispitivanja.

h) **Nosite osobnu zaštitnu opremu. Ovisno od primjene koristite masku za zaštitu lica i zaštitne naočale. Ukoliko je to potrebno, nosite masku za zaštitu od prašine, štitnike za sluh, zaštitne rukavice ili specijalne pregače, koje će vas zaštititi od sitnih čestica od brušenja i materijala.** Oči treba zaštititi od letućih stranih tijela koja nastaju kod različitih primjena. Zaštitne maske protiv prašine ili za disanje moraju filtrirati prašinu nastalu kod primjene. Ako ste dulje vrijeme izloženi buci, mogao bi vam se pogošati sluh.

i) **Ako radite sa drugim osobama, pazite na siguran razmak do njihovog radnog područja. Svatko tko stupi u radno područje mora nositi osobnu zaštitnu opremu.** Odlomljeni komadići izratka ili odlomljeni radni alati mogu odletjeti i uzrokovati ozljede i izvan neposrednog radnog područja.

j) **Ako izvodite radove kod kojih bi radni alat mogao zahvatiti skrivene električne vodove ili vlastiti priključni kabel, električni alat držite samo za izolirane ručke.** Kontakt sa električnim vodom pod naponom, stavlja pod napon i metalne dijelove električnog alata i dovodi do električnog udara.

k) **Priključni kabel držite dalje od rotirajućeg radnog alata.** Ako bi izgubili kontrolu nad električnim alatom, mogao bi se odrezati ili zahvatiti priključni kabel, a mogao bi zahvatiti i vaše ruke i šake.

l) **Električni alat nikada ne odlažite prije nego što se radni alat potpuno zaustavi.** Rotirajući radni alat mogao bi dodirnuti površinu odlaganja, zbog čega bi mogli izgubiti kontrolu nad električnim alatom.

m) **Ne dopustite da električni alat radi dok ga nosite.** Rotirajući radni alat bi slučajnim kontaktom mogao zahvatiti vašu odjeću, a radni alat bi vas mogao ozlijediti.

n) **Redovito čistite otvore za hlađenje vašeg električnog alata.** Ventilator motora uvlači prašinu u kućište električnog alata, a veliko nakupljanje metalne prašine može uzrokovati električne opasnosti.

o) **Električni alat ne koristite blizu zapaljivih materijala.** Iskre bi mogle zapaliti ove materijale.

p) **Ne koristite radne alate koji zahtijevaju tekuća rashladna sredstva.** Primjena vode ili ostalih tekućih rashladnih sredstava može dovesti do električnog udara.

Povratni udar i odgovarajuće upute upozorenja

Povratni udar je iznenadna reakcija zbog radnog alata koji se je zaglavio ili blokirao, kao što su brusilice, brusni tanjuri, čelične četke itd. Zaglavljivanje ili blokiranje dovodi do naglog zaustavljanja rotirajućeg radnog alata. Zbog toga će se nekontrolirani električni alat ubrzati u smjeru suprotnom od smjera rotacije radnog alata na mjestu blokiranja.

Ako bi se npr. brusna ploča zaglavila ili blokiralu u izratku, tada rub brusne ploče koja je zarezala u izradak može odlomiti brusnu ploču ili uzrokovati povratni udar. Brusna ploča se kod toga pomiče prema osobi koja rukuje električnim alatom ili od nje, ovisno od smjera rotacije brusne ploče na mjestu blokiranja.

Povratni udar je posljedica pogrešne ili neispravne uporabe električnog alata. On se može spriječiti prikladnim mjerama opreza, kao što su dolje opisane.

a) **Električni alat držite čvrsto i vaše tijelo i ruke dovedite u položaj u kojem možete preuzeti silu povratnog udara.** Ukoliko postoji koristite uvijek dodatnu ručku, kako bi imali najveću moguću kontrolu nad silama povratnog udara ili momentima reakcije kod rada električnog alata. Osoba koja rukuje električnim alatom može prikladnim mjerama opreza ovladati povratnim udarom ili silama reakcije.

b) **Vaše ruke nikada ne stavlajte blizu rotirajućeg radnog alata.** Radni alat se kod povratnog udara može pomaknuti preko vaših ruku.

c) **Vašim tijelom izbjegavajte područja u kojim se električni alat pomiče kod povratnog udara.** Povratni udar potiskuje električni alat u smjeru suprotnom od pomicanja brusne ploče na mjestu blokiranja.

d) **Posebno opreznim radom u području uglova, oštiri rubova, itd. spriječit ćete da se radni alat odbaci od izratka i da se u njemu uklješti.** Rotirajući radni alat kada se odbije na uglovima ili oštirim rubovima, sklon je uklještenju. To uzrokuje gubitak kontrole nad radnim alatom ili povratni udar.

e) **Ne koristite lančane ili nazubljene listove pile.** Takvi radni alati često uzrokuju povratni udar ili gubitak kontrole nad električnim alatom.

SE 12 180:
Posebne upute upozorenja za brušenje brusnim papirom

a) **Ne koristite predimenzionirane brusne listove, nego se pridržavajte podataka proizvođača za veličine brusnih listova.** Brusni listovi koji strše izvan brusnih tanjura mogu uzrokovati ozljede i dovesti do blokiranja, trganja brusnih listova ili do povratnog udara.

PE 150: Posebne napomene upozorenja za poliranje

a) **Ne dopustite labave dijelove haube za poliranje, osobito uzice za pričvršćenje. Uzice za pričvršćenje na odgovarajući način smjestite ili skratite.** Ovakve labave uzice koje rotiraju mogle bi zahvatiti vaše prste ili izradak.

Utičnice na vanjskom području moraju biti opremljene zaštitnim prekidačima za pogrešnu struju (FI, RCD, PRCD). To zahtjeva instalacijski propis za električne uređaje. Molimo da ovo poštuju prilikom upotrebe našeg aparata.

Piljevina ili iverje se za vrijeme rada stroja ne smiju odstranjivati.

Samo isključeni stroj priključiti na utičnicu.

Ne sezati u područje opasnosti radećeg stroja.

Uvijek primijeniti dodatnu ručicu.

Aparat odmah isključiti, ako dođe do bitnih titranja, ili ako se utvrde drugi nedostaci. Provjerite stroj, kako bi utvrdili uzrok.

Brusne ploče upotrijebiti i čuvati uvijek po podacima proizvođača.

Kod brušenja metala dolazi do iskrenja. Obratiti pažnju, da se ne ugrožavaju osobe. Zbog opasnosti od požara u blizini se ne smiju nalaziti gorivi materijali (područje leta iskri). Ne primijeniti usisavanje prašine.

Aparat uvijek držati tako, da iskre i prašina od brušenja lete u suprotnom smjeru od tijela.

Matica prirubnice mora prije puštanja stroja u rad biti zategnuta.

Radni predmet koji se obrađuje mora biti čvrsto stegnut, ako se ne drži svojom osobnom težinom. Radni predmet ne nikada voditi rukom prema ploči.

Kod ekstremnih uslova radova (npr. kod glatkog brušenja metala sa potporim tanjурom i diskovima od vulkaniziranog vlakna za brušenje) se može naložiti jaki talog priljavnosti u unutrašnjosti kutnog brusnača. Pod ovakvim radnim uvjetima je iz sigurnosnih razloga potrebno temeljno čišćenje naslaga metala u unutrašnjosti i u svakom slučaju je potrebno preduključenje zaštitnog prekidača struje kvara (FI). Poslije odgovora FI-zaštitnog prekidača se stroj mora poslati na popravak.

Kod brusnih sredstava, koja bi trebala biti opremljeni pločom sa navojem, utvrditi, da li je navoj u ploči dovoljno dug za vreteno.

PROPIISNA UPOTREBA

PE 150: Polirač se primjenjuje kod poliranja lakova, premaza, umjetnih materijala i drugih glatkih površina.

SE 12 180: Brusač je prikladan za brušenje površina drva, plastike i metala.

Ovaj aparat se smije upotrijebiti samo u određene svrhe kao što je navedeno.

OGRAIČENJE STRUJE POKRETANJA + NJEŽAN STAR

Struja za uključivanje stroja iznosi višestruko od nominalne struje. Kroz ograničenje struje pokretanja se struja uključivanja utoliko reducira, da jedan osigurač (16 A tromeštri) ne odgovara.

Električni nježan start za sigurno rukovanje spriječava kod uključivanja grubi start stroja.

ELEKTRONIKA

Elektronika naknadno regulira broj okretaja kod porasta opterećenja

Kod dužeg opterećenja elektronika preklapa na reducirani broj okretaja. Stroj radi sporo dalje zbog hlađenja namotaj motora. Nakon isključivanja i ponovnog uključivanja se strojem može raditi dalje u području nominalnog opterećenja.

ZAŠTITA PROTIV PONOVRNOG POKRETANJA

Prekidač nultog napona sprječava ponovan start stroja nakon nestanka struje. Kod ponovnog početka rada stroj isključiti i opet uključiti.

CE-IZJAVA KONFORMNOSTI

Izjavljujemo na osobnu odgovornost, da je proizvod opisan pod "Tehnički podaci", sukladan sa svim relevantnim propisima smjernice 2011/65/EU (RoHS), 2006/42/EC, 2004/108/EC (do April 19, 2016), 2014/30/EU (da 20 April 2016) i sa sljedećim harmoniziranim normativnim dokumentima:

EN 60745-1:2009+A11:2010
EN 60745-2-3:2011+A2:2013+A11:2014+A12:2014+A13:2015
EN 55014-1:2006+A1:2009+A2:2011
EN 55014-2:1997+A1:2001+A2:2008
EN 61000-3-2:2014
EN 61000-3-3:2013
EN 50581:2012

Winnenden, 2016-02-08


Alexander Krug
Managing Director



Ovlašten za formiranje tehničke dokumentacije.

Techtronic Industries GmbH
Max-Eyth-Straße 10
71364 Winnenden
Germany

PRIKLJUČAK NA MREŽU

Priključiti samo na jednofaznu naizmjeničnu struju i samo na napon struje, naveden na pločici snage. Priključak je moguć i na utičnice bez zaštitnog kontakta, jer postoji dogradnja zaštitne klase II.

ODRŽAVANJE

Proreze za prozračivanje stroja uvijek držati čistima.

Primijeniti samo AEG opremu i rezervne dijelove. Sastavne dijelove, čija zamjena nije opisana, dati zamijeniti kod jedne od AEG servisnih službi (poštivati brošuru Garancija/Adrese servisa).

Po potrebi se crtež pojedinih dijelova aparata uz navođenje podatka o tipu stroja i šestznamenastog broja na pločici snage može zatražiti kod vašeg servisa ili direktno kod Techtronic Industries GmbH, Max-Eyth-Straße 10, 71364 Winnenden, Njemačka.

SYMBOLE



PAŽNJA! UPOZORENJE! OPASNOST!



Prije radova na stroju izvruci utikač iz utičnice.



Molimo da pažljivo pročitate uputu o upotrebi prije puštanja u rad.



Kod radova na stroju uvijek nositi zaštitne naočale.



Nositi zaštitne rukavice!



Ne upotrebljavati silu.



Oprema - u opsegu isporuke nije sadržana, preporučena dopuna iz promgrama opreme.



Električni uređaji se ne smiju zbrinjavati skupa sa kućnim smećem. Električni uređaji se moraju skupljati odvojeno i predati na zbrinjavanje primjereno okolišu jednom od pogona za iskorišćavanje. Raspitajte se kod mjesnih vlasti ili kod stručnog trgovca u svezi gospodarstva za recikliranje i mjesta skupljanja.



Električni alat zaštitne kategorije II. Električni alat, čija zaštita od jednog električnog udara ne zavisi samo od osnovne izolacije, već i od toga, da se primijene dodatne zaštitne mjere, kao što su dvostruka izolacija ili pojačana izolacija. Ne postoji nikakva naprava za priključak nekog zaštitnog voda.



Oznaka-CE



Regulatory Compliance Mark (RCM).
Proizvod ispunjava valjane propise.



Nacionalni znak konformnosti Ukrajina



EurAsian znak konformnosti.

TEHNIŠKIE DATI

	Pulētājs/Slīpētājs	PE 150	SE 12-180
Izlaides numurs	4552 16 01	4552 20 01	4552 20 01
Nominālā atdotā jauda	1200 W	1200 W	1200 W
Cietkoks (W)	600 W	600 W	600 W
Nominālais griešanās ātrums	900-2500 min ⁻¹	1800-4800 min ⁻¹	1800-4800 min ⁻¹
Maks. nominālais griešanās ātrums	4700 min ⁻¹	9000 min ⁻¹	9000 min ⁻¹
Slīpdisks ar diametru	150 mm	180 mm	180 mm
Vārpstas vijums	M 14	M 14	M 14
Svars atbilstoši EPTA-Procedure 01/2003	2,1 kg	2,5 kg	2,5 kg

Trokšņu un vibrāciju informācija

Vērtības, kas noteiktas saskaņā ar EN 60 745.

A novērtētās aparatūras skaņas līmenis ir:

trokšņa spiediena līmenis (Nedrošība K=3dB(A))	82 dB(A)	82 dB(A)
trokšņa jaudas līmenis (Nedrošība K=3dB(A))	93 dB(A)	93 dB(A)

Nēsāt trokšņa slāpētājus!

Svārstību kopējā vērtība (Trīs virzienu vektoru summa) tiek noteikta atbilstoši EN 60745.

Pulēšana: svārstību emisiju vērtība a _h	3 m/s ²	- m/s ²
Nedrošība K =	1,5 m/s ²	- m/s ²
Slīpēt ar plastmasas slīpēšanas ripu: svārstību emisiju vērtība a _h	- m/s ²	3,3 m/s ²
Nedrošība K =	- m/s ²	1,5 m/s ²

UZMANĪBU

Instrukcijā norādītā svārstību robežvērtība ir izmērīta mērījumu procesā, kas veikts atbilstoši standartam EN 60745, un to var izmantot elektroinstrumentu savstarpējai salīdzināšanai. Tā ir piemērota arī svārstību noslogojuma pagaidu izvērtēšanai.

Norādītā svārstību robežvērtība ir reprezentatīva elektroinstrumenta pamata pielietojuma jomām. Tomēr, ja elektroinstrumentus tiek pielietots citās jomās, papildus izmantojot neatbilstošus elektroinstrumentus vai pēc nepietiekamas tehniskās apkopes, tad svārstību robežvērtība var atšķirties. Tas var ievērojami palielināt svārstību noslogojumu visa darba laikā.

Precīzai svārstību noslogojuma noteikšanai, ir jāņem vērā arī laiks, kad ierīces ir izslēgtas vai arī ir ieslēgtas, tomēr faktiski netiek lietota. Tas var ievērojami samazināt svārstību noslogojumu visa darba laikā.

Integrējiet papildus drošības pasākumus pret svārstību ietekmi lietotājam, piemēram: elektroinstrumentu un darba instrumentu tehniskā apkope, roku siltuma uzturēšana, darba procesu organizācija.

▲ UZMANĪBU! Izlasiet visu drošības instrukciju un lietošanas pamācību klāt pievienotajā bukletā. Šeit sniegto drošības noteikumu un norādījumu neievērošana var izraisīt aizdegšanos un būt par cēloni elektriskajam triecienam vai nopietnam savainojumam. **Pēc izlasīšanas uzglabājiet šos noteikumus turpmākai izmantošanai.**

▲ SPECIĀLIE DROŠĪBAS NOTEIKUMI PULĒTĀJS/SLĪPĒTĀJS

Kopējie drošības noteikumi slīpēšanai ar smilšpapīra loksnī un pulēšanai:

- a) Šis elektroinstrumentu ir lietojams kas piemērota arī pulēšanai (tikai attiecībā uz PE 150) un slīpēšanai ar smilšpapīra loksnī (tikai attiecībā uz SE 12 180). Nemiet vērā visas elektroinstrumentam pievienotās instrukcijas, norādījumus, attēlus un citu informāciju. Turpmāk sniegto norādījumu neievērošana var kļūt par cēloni elektriskajam triecienam, ugunsgrēkam un/vai smagam savainojumam.**
 - b) Šis elektriskais darbarīks nav piemērots smilšpapīra slīpēšanai (tikai attiecībā uz PE 150), pulēšanai (tikai attiecībā uz SE 12 180), slīpēšanai, darbam ar metāla birstēm un leņķa slīpmašīnām. Šis ierīces izmantošana mērķiem, kuriem tā nav paredzēta, var to sabojāt.**
 - c) Neizmantojiet piederumus, kurus ražotājs nav paredzējis šim elektroinstrumentam un ieteikusi lietošanai kopā ar to. Iespēja nostiprināt piederumu uz elektroinstrumenta vēl negarantē tā drošu lietošanu.**
 - d) Iestiprināmā darbinstrumenta pielaujamajam griešanās ātrumam jābūt ne mazākam par elektroinstrumenta lielāko norādīto griešanās ātrumu. Piederums, kas griežas ātrāk, nekā pielaujams, var salūzt un tikt mests prom.**
 - e) Darbinstrumentu ārējā diametram un biežumam jāatbilst elektroinstrumenta konstrukcijai un izmēriem. Ja darbinstrumenta izmēri ir izvēlēti nepareizi, tas pilnībā**
- nenovietojas zem aizsarga un darba laikā apgrūtinā instrumenta vadību.
- f) Slīpēšanas diskam, balstaplāksnei, slīpēšanas pamatnei vai citiem piederumiem precīzi jānovietojas uz elektroinstrumenta darbvārpstas. Nomaināmie darbinstrumenti, kas precīzi neatbilst elektroinstrumenta darbvārpstas konstrukcijai, nevienmērīgi griežas, ļoti spēcīgi vibrē un var būt par cēloni kontroles zaudēšanai pār instrumentu.**
- g) Neizmantojiet bojātus darbinstrumentus. Ik reizi pirms darbinstrumentu lietošanas pārbaudiet, vai tie nav bojāti, vai slīpēšanas diski nav atslāņojušies vai iekļāvušies, vai slīpēšanas pamatnei nav vērojamas plaisas un vai stieplu suku veidojošās stieples. Ja elektroinstrumentu vai darbinstrumentus ir kritis no zināma augstuma, pārbaudiet, vai tas nav bojāts, vai arī izmantojiet darbam nebojātu darbinstrumentu. Pēc darbinstrumenta apskates un iestiprināšanas ļaujiet elektroinstrumentam darboties ar maksimālo griešanās ātrumu vienu minūti ilgi, turot rotējošo darbinstrumentu drošā attālumā no sevis un citām tuvumā esošajām personām. Bojāti darbinstrumenti šādas pārbaudes laikā parasti salūst.**
- h) Lietojiet individuālos darba aizsardzības līdzekļus. Atkarībā no veicamā darba rakstura izvēlieties pilnu sejas aizsargu, noslēdzošās aizsargbrilles vai parastās aizsargbrilles. Lai aizsargātos no lidojošajām slīpēšanas darbinstrumenta un apstrādājamā materiāla daļiņām, pēc vajadzības lietojiet putekļu aizsargmasku, ausu aizsargus un aizsargcimdus vai arī īpašu priekšautu. Lietotāja acis jāpasargā no lidojošajiem svešķermeņiem, kas dažkārt rodas darba gaitā. Putekļu aizsargmaskai vai respiratoram jāpasargā lietotāja elpošanas ceļi no putekļiem, kas veidojas darba laikā. Ilgstoji atrodoties stipra trokšņa iespaidā, var rasties paliekoši dzirdes traucējumi.**
- i) Sekojiet, lai citas personas atstātos drošā attālumā no darba vietas. Ikvienam, kas atrodas darba vietas tuvumā,**

Jālieto individuālie darba aizsardzības līdzekļi. Apstrādājamā priekšmeta atlūzas vai salūzuša darbinstrumenta daļas var lidot ar ievērojama ātrumu un nodarīt kaitējumu cilvēku veselībai arī ievērojamā attālumā no darba vietas.

j) Ja darbinstruments var skart slēptu elektroķēpi, darba laikā turiet elektroinstrumentu aiz izolētajiem rokturiem, nepieskaroties metāla daļām. Darbinstrumentam skarot spriegumesošu elektrotīklu vadu, spriegums nonāk arī uz elektroinstrumenta metāla daļām un var būt par cēloni elektriskajam triecienam.

k) Netuviniet rotējošu darbinstrumentu elektrokabelim. Zūdot kontrolei pār instrumentu, darbinstruments var pārgriezt kabeli vai iekerties tajā, kā rezultātā kāda no lietotāja ķermeņa daļām var saskarties ar rotējošo darbinstrumentu.

l) Nenovietojiet elektroinstrumentu, kamēr tajā iestiprinātais darbinstruments nav pilnīgi apstājies. Rotējošais darbinstruments var skart atbalsta virsmu, kā rezultātā elektroinstrumentam var kļūt nevadāms.

m) Nedarbiniet elektroinstrumentu laikā, kad tas tiek pārvietots. Lietotāja apģērbs vai mati var nejausī nonākt saskarē ar rotējošo darbinstrumentu un iekerties tajā, izraisot darbinstrumenta saskaršanos ar lietotāja ķermeni.

n) Regulāri tīriet elektroinstrumenta ventilācijas atveres. Dzinēju ventilējošā gaisa plūsma ievēl putekļus instrumenta korpusā, bet liela metāla putekļu daudzuma uzkrāšanās var būt par cēloni elektrotraumai.

o) Nelietojiet elektroinstrumentu ugunsnedrošu materiālu tuvumā. Lidojošās dzirksteles var izraisīt šādu materiālu aizdegšanos.

p) Nelietojiet nomaināmos darbinstrumentus, kuriem jāpievada dzesējošais šķidrums. Ūdens vai citu šķidro dzesēšanas līdzekļu izmantošana var būt par cēloni elektriskajam triecienam.

Atsitiens un ar to saistītie norādījumi

Atsitiens ir specifiska instrumenta reakcija, pēkšņi iekertoties vai iestrēgstot rotējošam darbinstrumentam, piemēram, slīpēšanas diskam, slīpēšanas pamatnei, stieplu sukai u. t. f. Rotējoša darbinstrumenta iekēršanās vai iestrēgšana izraisa tā pēkšņu apstāšanos. Tā rezultātā elektroinstrumentam pārvietojas virzienā, kas pretējs darbinstrumenta kustības virzienam iestrēguma vietā, un nereti kļūst nevadāms.

Ja, piemēram, slīpēšanas disks iekēras vai iestrēgst apstrādājamajā priekšmetā, tajā iegremdētā diska mala var izrūties no apstrādājamā materiāla vai izraisīt atsitienu. Šādā gadījumā slīpēšanas disks pārvietojas lietotāja virzienā vai arī prom no viņa, atkarībā no diska rotācijas virziena attiecībā pret apstrādājamo priekšmetu.

Atsitiens ir sekas elektroinstrumenta nepareizai vai neprasīgai lietošanai. No tā var izvairīties, ievērojot zināmus piesardzības pasākumus, kas aprakstīti turpmākajā izklāstā.

a) Stingri turiet elektroinstrumentu un ienemiet tādu ķermeņa un roku stāvokli, kas vislabāk ļautu pretoties atsitienu spēkam. Vienmēr izmantojiet papildrokturi, kas ļauj optimāli kompensēt atsitienu vai reaktīvo griezes momentu un saglabāt kontroli pār instrumentu. Veicot zināmus piesardzības pasākumus, lietotājs jebkurā situācijā spēj efektīvi pretoties atsitienu un reaktīvajam griezes momentam.

b) Netuviniet rokas rotējošam darbinstrumentam. Atsitienu gadījumā darbinstruments var skart ar lietotāja roku.

c) Izvairieties atrasties vietā, kurp varētu pārvietoties elektroinstrumenta atsitienu brīdī. Atsitienu brīdī elektroinstrumentam pārvietojas virzienā, kas pretējs darbinstrumenta kustības virzienam iestrēguma vietā.

d) Ievērojiet īpašu piesardzību, strādājot stūru un asu malu tuvumā. Nepieļaujiet, lai darbinstruments atlektu no apstrādājamā priekšmeta vai iestrēgtu tajā. Saskaroties ar stūriem vai asām malām rotējošais darbinstruments izliecas un

atlec no apstrādājamā priekšmeta vai iestrēgst tajā. Tas var būt par cēloni kontroles zaudēšanai pār instrumentu vai atsitienu.

e) Nelietojiet zaļa asmeņus, kas apgādāti ar zobiem. Šādu darbinstrumentu izmantošana var būt par cēloni atsitienu vai kontroles zaudēšanai pār elektroinstrumentu.

SE 12 180:
Īpašie drošības noteikumi, veicot slīpēšanu ar smilšpapīra loksni

a) Neizmantojiet lielāka izmēra slīploknes, izvēlieties darbam slīploknes ar izmēriem, ko norādījusi ražotājfirma. Ja slīplokne sniedzas pāri slīpēšanas pamatnes malām, tas var būt par cēloni savainojumam, izsaukt slīploknes iestrēgšanu vai plīšanu, kā arī izraisīt atsitienu.

PE 150:
Pašie drošības noteikumi, veicot pulēšanu

a) Neatstājiet nenostiprinātās pulējošā uzliktna daļas, īpaši tā stiprināšas atsaites. Aptīniet un sasieniet vai saīsiniet stiprināšas atsaites. Nenostiprinātās, kopā ar uzliktni rotējošās stiprināšas atsaites var skart lietotāja rokas un aptīties ap pirkstiem vai iekerties apstrādājamajā priekšmetā.

Kontaktligzdām, kas atrodas ārpus telpām jābūt aprīkotām ar automātiskiem drošinātājslēdzieniem, kas nostrādā, ja strāvas plūsmā radušies (FI, RCD, PRCD) bojājumi. To pieprasa jūsu elektroiekārtas instalācijas noteikumi. Lūdzu, to ņem vērā, izmantojot mūsu instrumentus.

Skaidas un atlūzas nedrīkst ņemt ārā, kamēr mašina darbojas.

Mašīnu pievienot kontaktligzdai tikai izslēgtā stāvoklī.

Nelikot rokas mašīnas darbības laukā.

Vienmēr vajag izmantot papildus rokturi.

Ja parādās stipras svārstības vai citi defekti, mašīnu vajag nekavējoties izslēgt. Mašīnu vajag nekavējoties pārbaudīt, lai noteiktu traucējumu cēloņus.

Slīpdiskus drīkst izmantot un uzglabāt tikai saskaņā ar ražotāja ieteikumiem.

Slīpējot metālu, rodas dzirkstes. Vajag uzmanīties, lai netiktu apdraudētas personas. Sakarā ar ugunsgrēka draudiem, tuvumā (dzirkstelū tuvumā) nedrīkst atrasties viegli degošas vielas vai priekšmeti. Nedrīkst izmantot putekļu sūcēju.

Mašīnu vajag turēt tā, lai dzirksteles vai slīpēšanas rezultātā radušies putekļi lidotu prom no ķermeņa.

Disku saturošo uzgriezni pirms mašīnas darba uzsākšanas vajag pievilkt.

Apstrādājamā detaļa, ja tā neturas, pamatojoties uz savu svaru, ir jāpiestiprina. Nekādā gadījumā apstrādājamo detaļu nedrīkst spiest pie ripas ar roku.

Izmantojot ekstrēmos lietošanas apstākļos (piem., metālu slīpējot ar šķīvjveida disku un vulkanizētas šķiedras slīpēšanas diskam), leņķa slīpmašīnas iekšpusē var rasties spēcīgs piesārņojums. Šādos lietošanas apstākļos drošības apsvērumu dēļ ir nepieciešama kārtīga ierīces iekšpusē attīrīšana no metāla nogulsējumiem, un ir obligāta nopuldzīvāms aizsargslēdzņa (FI) iepriekšēja ieslēgšana. Ja FI aizsargslēdzis iedarbojas, ierīce jānodod remontā.

Attiecībā uz slīpēšanas materiāliem, ko paredzēts izmantot ar ripu, kurai ir vītne, vajag pārliecināties par to, ka ripas vītnes izmērs atbilst vārpstas izmēram.

NOTEIKUMIEM ATBILSTOŠS IZMANTOJUMS

PE 150: Pulēšanas ierīci var izmantot laku, pārklājumu, plastmasu un citu gludu virsmu pulēšanai.

SE 12 180: Slīpmašīna ir izmantojama koka, plastmasas un metāla virsmu slīpēšanai.

Šo instrumentu drīkst izmantot tikai saskaņā ar minētajiem lietošanas noteikumiem.

PALAIDES STRĀVAS IERĒBEŽOJUMS + REGULĒTĀ PAKĀPENISKĀ

Mašīnas ieslēgšanas strāva daudzārt pārsniedz nominālo strāvu. Pateicoties palaišanas strāvas ierēbežojumam, ieslēgšanas strāva tiek samazināta tik tālu, ka drošinātājs (16 A lēnais) nenostrādā.

Elektroniski regulētā pakāpeniskā iedarbināšana novērš grūdienveida iedarbošanos pēc mašīnas iedarbināšanas.

ELEKTRONIKA

Elektronika regulē apgriezīgu skaitu ar paaugstinātu slodzi.

Pie ilgākas pārslodzes elektronika pārslēdzas uz reducētu apgriezīgu skaitu. Mašīna turpina lēnām darboties, lai atdzesētu motoru. Pēc mašīnas ieslēgšanas vai atkārtotas ieslēgšanas ar to var turpināt strādāt nominālās jaudas ietvaros.

AIZSARDZĪBA PRET ATKĀRTOTU PALAIŠANU

Nullsecības spriegums novērš mašīnas atkārtotu iedarbošanos pēc strāvas plūsmas pārtraukuma. Lai atsāktu darbu, mašīnu vajag izslēgt un vēlreiz ieslēgt.

ATBILSTĪBA CE NORMĀM

Mēs apliecinām, ka produkts, kura tehniskie parametri aprakstīti "tehnisko datu lapā", pilnībā atbilst prasībām saskaņā ar direktīvām 2011/65/EU (RoHS), 2006/42/EK, 2004/108/EK (līdz April 19, 2016), 2014/30/ES (no 20 April 2016) un attiecīgajiem harmonizētajiem normatīvajiem dokumentiem:

EN 60745-1:2009+A11:2010
EN 60745-2-3:2011+A2:2013+A11:2014+A12:2014+A13:2015
EN 55014-1:2006+A1:2009+A2:2011
EN 55014-2:1997+A1:2001+A2:2008
EN 61000-3-2:2014
EN 61000-3-3:2013
EN 50581:2012

Winnenden, 2016-02-08

Alexander Krug
Managing Director



Pilnvarotais tehniskās dokumentācijas sastādītājs.

Techtronic Industries GmbH
Max-Eyth-Straße 10
71364 Winnenden
Germany

TĪKLA PIESLĒGUMS

Pieslēgt tikai vienpola maiņstrāvas tīklam un tikai spriegumam, kas norādīts uz jaudas paneļa. Pieslēgums iespējams arī kontaktligzdām bez aizsargkontaktiem, jo runa ir par uzbūvi, kas atbilst II. aizsargklasei.

APKOPE

Vajag vienmēr uzmanīties, lai būtu tīras dzesēšanas atveres.

Izmantojiet tikai firmu AEG piederumus un firmas rezerves daļas. Lieciet nomainīt detaļas, kuru numāna nav aprakstīta, kādā no firmu AEG klientu apkalpošanas servisiem. (Skat. brošūru "Garantija/klientu apkalpošanas serviss".)

Pēc pieprasījuma. Jūsu Klientu apkalpošanas centrā vai pie Techtronic Industries GmbH, Max-Eyth-Straße 10, 71364 Winnenden, Vācijā, ir iespējams saņemt iekārtas montāžas rasējumu, iepriekš norādot iekārtas modeli un sērijas numuru, kas atrodas uz datu plāksnītes un sastāv no sešiem simboliem.

SIMBOLI



UZMANĪBU! BĪSTAMI!



Pirms jebkādiem darbiem, kas attiecas uz mašīnas apkopi, mašīnu noteikti vajag atvienot no kontaktligzdas.



Pirms sākt lietot instrumentu, lūdzu, izlasiet lietošanas pamācību.



Strādājot ar mašīnu, vienmēr jānēsā aizsargbrilles.



Jāvalkā aizsargcimdi!



Nepielietot spēku



Piederumi - standartprīkojumā neietvertās, bet ieteicamās papildus komplektācijas detaļas no piederumu programmas.



Elektroiekārtas nedrīkst izmest kopā ar sadzīves atkritumiem. Elektriskās un elektroniskās iekārtas ir jāsavāc atsevišķi un jānodod pārstrādes uzņēmumam, kas no tām atbrīvosies dabai draudzīgā veidā. Meklējiet atsevišķas pārstrādes poligonus un savākšanas punktus vietējās pārvaldes iestādēs vai pie preces pārdevēja.



II aizsardzības klases elektroinstrumenti. Elektroinstrumenti, kuram aizsardzība pret elektrisko triecienu ir atkarīga ne tikai no pamata izolācijas, bet arī no tā, ka tiek piemēroti papildu aizsardzības pasākumi, piemēram, dubultā izolācija vai pastiprināta izolācija. Aizsarga pieslēgšanai instrumenti nav paredzēti.



CE marķējums



Regulatory Compliance Mark (RCM). Produkts atbilst spēkā esošajiem noteikumiem.



Ukrainas nacionālais atbilstības simbols.



EurAsian atbilstības marķējums.

ELEKTRONINIS VALDYMAS

Didėjant apkrovai, elektroninis valdymas perreguliuoja sūkių skaičių.

Esant ilgesnei perkrovai, elektroninis valdymas sumažina sūkių skaičių. Įrenginys toliau lėtai veikia ir aušina variklio apviją. Išjungus ir vėl įjungus, galima įrenginio dirbti toliau vardinės apkrovos diapazone.

APSAUGA NUO PAKARTOTINIO ĮSIJUNGIMO

Nulinės įtampos jungiklis neleidžia vėl įsijungti įrenginiui po to, kai buvo nutūkęs elektros energijos tiekimas. Kad galėtumėte dirbti toliau, įrenginį išjunkite ir įjunkite vėl.

CE ATITIKTIES PAREIŠKIMAS

Remiantis bendrais atsakomybės reikalavimais pareiškiami, jog skyruije "Techniniai duomenys" aprašytas produktas atitinka visus toliau pateiktą juridinių direktyvų reikalavimus: 2011/65/EU (RoHS), 2006/42/EB, 2004/108/EB (iki April 19, 2016), 2014/30/ES (nuo 2016 m. April 20 d.) ir kitus su jomis susijusius norminius dokumentus:

EN 60745-1:2009+A11:2010
EN 60745-2-3:2011+A2:2013+A11:2014+A12:2014+A13:2015
EN 55014-1:2006+A1:2009+A2:2011
EN 55014-2:1997+A1:2001+A2:2008
EN 61000-3-2:2014
EN 61000-3-3:2013
EN 50581:2012

Winnenden, 2016-02-08



Alexander Krug
Managing Director



Įgaliosat parengti techninius dokumentus.

Techtronic Industries GmbH
Max-Eyth-Straße 10
71364 Winnenden
Germany

ELEKTROS TINKLO JUNGTIŠ

Jungti tik prie vienfazės kintamos elektros srovės ir tik į specifیکacijų lentelėje nurodytos įtampos elektros tinklą. Konstrukcijos saugos klasė II, todėl galima jungti ir į lizdus be apsauginio kontakto.

TECHNINIS APTARNAVIMAS

Įrenginio vėdinimo angos visada turi būti švarios.

Naudokite tik AEG priedus ir atsargines dalis. Dalis, kurių keitimas neaprašytas, leidžiama keisti tik AEG klientų aptarnavimo skyriams (žr. garantiją/klientų aptarnavimo skyrių adresus brošiūroje).

Esant poreikiui, nurodžius mašinos modelį ir šešiaženklį numerį, esantį ant specifیکacijų lentelės, klientų aptarnavimo centre arba tiesiogiai „Techtronic Industries GmbH“, Max-Eyth-Str. 10, 71364 Winnenden, Vokietija, galite užsakyti išplėstinį prietaiso brėžinį.

SIMBOLIAI



DĖMESIO! ĮSPĖJIMAS! PAVOJUS!



Prieš atlikdami bet kokius įrenginyje, ištraukite iš lizdo kištuką.



Prieš pradėdami dirbti su prietaisu, atidžiai perskaitykite jo naudojimo instrukciją.



Dirbdami su įrenginiu visada nešiokite apsauginius akinius.



Lietojiet aizsardzības cimdus!



Nenaudoti jėgos.



Priedas – nejeina į tiekimo komplektaciją, rekomenduojamas papildymas iš priedų asortimento.



Elektros prietaisų negalima išmesti kartu su buitinėmis atliekomis. Būtina rūšiuoti elektros ir elektroninius prietaisus ir atiduoti į atliekų perdavimo centrą, kad jie būtų užtikrinti netersiant aplinkos. Informacijos apie perdavimo centrą ir atliekų surinkimo įstaigas teiraukitės vietos įstaigoje arba prekybininko.



II apsaugos klasės elektrinis įrankis. Šio elektrinio įrankio apsauga nuo elektros smūgio priklauso ne tik nuo pagrindinės izoliacijos, bet ir nuo to, kaip naudojamos papildomos apsauginės priemonės, tokios kaip dviguba arba pagerinta izoliacija. Nėra jokio prietaiso apsauginio laido pajungimui.



CE ženklas



Regulatorius „Compliance Mark“ (RCM). Produktas atitinka galiojančias taisykles.



Nacionalinė atitikties žyma Ukrainoje



„EurAsian“ atitikties ženklas.

TEHNILISES ANDMED

	Poleerija/Lihvija	PE 150	SE 12-180
Tooimnnumber	4552 16 01	4552 20 01	4552 20 01
Nimtarbimine	1200 W	1200 W	1200 W
Vāljundvōimsus	600 W	600 W	600 W
Nimipōōrdes	900-2500 min ⁻¹	1800-4800 min ⁻¹	1800-4800 min ⁻¹
Maks. nimipōōrdes	4700 min ⁻¹	9000 min ⁻¹	9000 min ⁻¹
Lihvketta ø	150 mm	180 mm	180 mm
Spindlikeere	M 14	M 14	M 14
Kaal vastavalt EPTA-protseduurile 01/2003	2,1 kg	2,5 kg	2,5 kg

Mūra/vibratsiooni andmed

Mōtevārtused on kindlaks tehtud vastavalt normile EN 60 745.

Seadme tūūpiline hinnanguline (A) mūratase:

Helirōhutase (Māāramatus K=3dB(A))	82 dB(A)	82 dB(A)
Helivōimsuse tase (Māāramatus K=3dB(A))	93 dB(A)	93 dB(A)

Kandke kaitseks kōrvaklappel!

Vibratsiooni koguvārtus (kolme suuna vektorsumma) mōdēdet EN 60745 jārgi.

Poleerimine: vibratsiooni emissiooni vārtus a _w	3 m/s ²	- m/s ²
Māāramatus K =	1,5 m/s ²	- m/s ²
Kunstmaterjalist kettaga lihvimine: vibratsiooni emissiooni vārtus a _w	- m/s ²	3,3 m/s ²
Māāramatus K =	- m/s ²	1,5 m/s ²

TĀHELEPANU

Antud juhendis toodud vōnketase on mōdēdet EN 60745 standardile vastava mōotesūsteemiga ning seda vōib kasutada erinevate elektriseadmete omavahelises vōrdlemises. Antud nāitaja sobib ka esmaseks vōnkekoormuse hindamiseks.

Antud vōnketase kehtib elektriseadme kasutamisel sihtotstarbeliselt. Kui elektriseadet kasutatakse muudel otstarvetel, muude tōōriistadega vōi seda ei hooldata piisavalt vōib vōnketase siintoodust erineda. Eeltoodu vōib vōnketaset mārķimisvāarselt tōsta terves tōokeskkonnas.

Vōnketaseme tāpseks hindamiseks tuleks arvestada ka AEGa, mil seade on vālja lūlitatud vōi on kūll sisse lūlitatud, kuid ei ole otseselt kasutuses. See vōib mārķatavalt vāhendada kogu tōokeskkonna vōnketaset.

Rakendage spetsiaalseid ettevaatusabinōusid tōōtajate suhtes, kes puutuvad tōō kāigus palju kokku vibratsiooni. Nendeks abinōudeks vōivad olla, nāiteks: elektri- ja tōōseadmete korraline hooldus, kāte soojendamine, tōōvoo parem organiseerimine.

⚠ TĀHELEPANU! Lugege kōik ohutusnōuanded ja juhendid lābi, ka juures olevast brošūūris. Ohutushōuete ja juhiste eiramise tagajārķeks vōib olla elektrilōok, tulekahju ja/vōi rasked vigastused.
Hoidke kōik ohutusnōuanded ja juhised edasiseks kasutamiseks hoolikalt alles.

⚠ SPETSIAALSES TURVAJUHISES POLEERIJAJ LIHVIJAJ

Ūhised ohutusjuhised liivapaberiga lihvimiseks ja poleerimiseks:

a) Kāesolev elektriline tōōriist on ette nāhtud poleerimiseks (ainult P puhul) ja liivapaberiga lihvimiseks (ainult S puhul). Jārgige kōiki tōōriistaga kaasasolevaid hoiatusi, juhiseid, jooniseid ja tehnilisi andmeid. Jārgnevalt toodud juhiste eiramise tagajārķeks vōib olla elektrilōok, tulekahju ja/vōi rasked vigastused.

b) See elektritōōriist ei ole mōeldud liivapaberiga lihvimiseks (ainult PE 150 puhul), poleerimiseks (ainult SE 12 180 puhul), lōikamine ja jāmēlihvimine ja traathārķaga. Seadme kasutamine mitteettenāhtud otstarbel vōib pōhjustada kahjustusi ja vigastusi.

c) Ārge kasutage tarvikuid, mida ei ole tootja selle elektrilise tōōriista jaoks ette nāinud ega soovitanud. Asjaolu, et saate tarvikud oma seadme kūlge kinnitada, ei taga veel seadme ohutut tōōd.

d) Kasutatava tarviku lubatud pōōrlemiskiirus peab olema vāhemalt sama suur nagu elektrilise tōōriista maksimaalne pōōrete arv. Lubatud kiirusest kiiremini pōōrlev tarvik vōib puruneda ning selle tūkid vōivad laiali paiskuda.

e) Tarviku vālislābimōot ja paksus peavad vastama elektrilise tōōriista mōōtmetele. Valede mōōtmetega tarvikuid ei kata kaitsekate piisavalt mārķal, mistōttu vōivad need kontrolli alt vājuda.

f) Lihvkettad, seibid, lihvtallad ja teised tarvikud peavad elektrilise tōōriista spindli lābimōōduga tāpselt sobima. Tarvikud, mis spindli lābimōōduga tāpselt ei sobi, pōōrlevad ebahtlaselt, vibreerivad tugevalt ja vōivad pōhjustada kontrolli kaotuse seadme ūle.

g) Ārge kasutage vigastatud tarvikuid. Iga kord enne kasutatut kontrollige tarvikuid. Kui seade vōi tarvik kukub maha, siis veenduge, et seade vōi ole vigastatud, vōi kasutage vajaduse korral vigastamata tarvikut. Kui olete tarviku ūle vaadanud ja kohale asetanud, laske seadmel ūhe minuti jooksul tōōtada maksimaalsetel pōōretel. Seejuures ārge asetsege pōōrleva tarvikuga ūhel tasandil ja veenduge, et seda ei tee ka lāheduses viibivad inimesed. Selle katseaja jooksul vigastatud tarvikud ūldjuhul purunevad.

h) Kandke isikukaitsevahendeid. Kasutage vastavalt kasutusotstarbele nōomaski, silmakaitset vōi kaitseprille. Vajaduse korral kandke tolmukaitsemaski, kuulmiskaitsevahendeid, kaitsekindaid vōi kaitsepōlle, mis kaitseb Teid lihvimisel eralduvate vāikeste osakeste eest. Silmad peavad olema kaitstud seadme kasutamisel eralduvate vōōrkehade eest. Tolmu- vōi hingamisteede kaitsemaskid peavad filtreerima kasutamisel tekkiva tolmu. Pikaajaline vali mūra vōib kahjustada kuulmist.

i) Veenduge, et teised vōib teid tōōpiirkonnast ohutus kauguses. Igaūks, kes tōōpiirkonda siseneb, peab kandma isikukaitsevahendeid. Tooriku vōi tarviku murdunud tūkid vōivad eemale paiskuda ja pōhjustada vigastusi ka vāljaspool otsest tōōpiirkonda.

j) Kui esineb oht, et seade vōib tabada varjatud elektrijuhitmeid vōi omaenda tōitejuhete, tohib seadet hoida ūksnes isoleeritud kāepidemetest. Kontakt pinge all oleva juhtmega pingestab ka seadme metalldetailid ja pōhjustab elektrilōogi.

k) Hoidke toitejuhe pōōrlevatest tarvikutest eemal. Kontrolli kaotusel seadme ūle tekib toitejuhtme lābilōikamise

või kaasahaaramise oht ning Teie käsi võib pöörleva tarvikuga kokku puutuda.

l) Ärge pange seadet käest enne, kui seadme spindel on täielikult seiskunud. Pöörlev tarvik võib aluspinnaga kokku puutuda, mille tagajärjeks võib olla kontrolli kaotus seadme üle.

m) Seadme transportimise ajal ärge laske seadmel töötada. Teie rõivad võivad pöörleva tarvikuga juhuslikult kokku puutuda ning tarvik võib tungida Teie kehasse.

n) Puhastage regulaarselt seadme ventilatsiooniväsiid. Mootori ventilator tõmbab tolmu korpusesse, kuhjuv metallitölm võib põhjustada elektrilisi ohte.

o) Ärge kasutage seadet kergesti süttivate materjalide läheduses. Sädemete tõttu võivad need materjalid süttida.

p) Ärge kasutage tarvikuid, mille puhul tuleb kasutada jahutusvedelikke. Vee või teiste jahutusvedelike kasutamine võib põhjustada elektrilöögi.

Tagasilöökk ja asjaomased ohutusnõuded

Tagasilöökk on kinnikiilduvast tarvikust, näiteks lihvketast, lihvallast, traatharjast vmt tingitud järsk reaktsioon.

Kinnikiildumine põhjustab tarviku järsu seiskumise. Selle tagajärjel liigub seade kontrollimatult tarviku pöörlemissuunale vastupidises suunas.

Kui näiteks lihvketas toorikus kinni kiildub, võib tagajärjeks olla tagasilöökk või lihvketta murdumine. Lihvketas liigub sõltuvalt ketta pöörlemissuunast kas seadme kasutaja poole või kasutajast eemal.

Tagasilöökk on seadme ebaõige kasutamise või valede tööviiside tagajärg. Seda saab vältida, rakendades järgnevalt kirjeldatud sobivaid ettevaatusabinõusid.

a) Hoidke seadet tugevasti kinni ja viige oma keha ja käed asendisse, milles saate tagasilöögiõududele vastu astuda. Suurima kontrolli saavutamiseks tagasilöögiõudude või reaktsioonimomentide üle kasutage alati lisakäepidet, kui see on olemas. Seadme kasutaja suudab sobivaid ettevaatusabinõusid rakendada tagasilöögi- ja reaktsioonijõudusid kontrollida.

b) Ärge viige oma kätt kunagi pöörlevate tarvikute lähedusse. Tagasilöögi puhul võib tarvik liikuda üle Teie käe.

c) Vältige oma kehaga piirkonda, kuhu seade tagasilöögi puhul liigub. Tagasilöökk viib seadme lihvketta liikumissuunale vastupidises suunas.

d) Eriti ettevaatlikult töötage nurkade, teravate servade jmt piirkonnas. Hoidke ära tarvikute tagasipõrkumise ohtu ja kinnikiildumise. Pöörlev tarvik kaldub nurkades, teravates servades ja tagasipõrkumise korral kinni kiilduma. See põhjustab kontrolli kaotuse seadme üle või tagasilöögi.

e) Ärge kasutage kett- ega hammastatud saeketast. Sellised tarvikud põhjustavad tihti tagasilöögi või kontrolli kaotuse seadme üle.

SE 12 180:
Spetsiifilised ohutusnõuded liivapaberiga lihvimisel

a) Ärge kasutage liiga suurte mõõtetega liivpabereid, juhendage tootja andmetest liivpaberi suuruse kohta. Üle lihvalla ulatuvad liivpaberid võivad põhjustada vigastusi, samuti liivpaberi kinnijäämist, rebenemist või tagasilööki.

PE 150:
Spetsiifilised ohutusjuhised poleerimiseks

a) Veenduge, et poleerkett ei oleks lahtisi osi, esmajoones kinnitusnõore. Peitke või lühendage kinnitusnõõrid. Lahtised kaasapöörlevad kinnitusnõõrid võivad Teie sõrmed kaasa haarata või toorikusse kinni jääda.

Välitingimustes asuvad pistikupesad peavad olema varustatud rikkevoolukaitseülilülitiga (FI, RCD, PRCD). Seda nõutakse Teie elektriseadme installeerimiseeskirjas. Palun pidage sellest meie seadme kasutamisel kinni.

Puru ega pilpald ei tohi eemaldada masina töötamise ajal.

Masin peab pistikupessa ühendamisel olema alati väljalülitatud seisundis.

Ärge pange kätt töötava masina ohupiirkonda.

Kasutage alati lisakäepidet.

Lülitage seade välja kohe, kui tekib märgatav vibratsioon või märkate muid puudusi. Kontrollige masin üle, et põhjus kindlaks teha.

Kasutage ja säilitage lihvketaid alati vastavalt valmistaja juhiste.

Metallide lihvimisel tekib sädemeid. Veenduge selles, et inimesed poleks ohustatud. Tuleohtu tõttu ei tohi lähedal (sädemete piirkonnas) olla tuleohtlikke materjale. Ärge kasutage tolmu äraimemist.

Hoidke seadet alati nii, et sädemed või lihvimestolm lendaksid kehast eemale.

Ääriku mutter peab enne masina käikulaskmist olema pingutatud.

Töödeldav toorik tuleb kinnitada, kui ta ei seisa oma kaaluga. Ärge kunagi juhtige toorikut ketta vastu käega.

Ekstreemsetes tingimustes (nt tugiketta ja vulkaanfibreerlihvkettaga metallide siledaks lihvimine) töötamisel võib nurklihvijasse koguneda rohkesti puru ja prahti. Ohutuse tagamiseks tuleb niisugustes tingimustes töötamisel metallpindu seest korralikult puhastada, tingimata tuleb paigaldada rikkevoolukaitseülilülit. Kui rikkevoolukaitseülilülit reageerib, tuleb masin saata ülekontrollimisele.

Keermestatud kettaga varustatud tulevate lihvimisvahendite puhul tagage kettas oleva keermepiisav pikkus spindli jaoks.

KASUTAMINE VASTAVALT OTSTARBELE

PE 150: Poleerijat saab rakendada lakkide, kattekihtide, plastide ja teiste siledade pealispindade poleerimiseks.

SE 12 180: Lihviija sobib puidu, plasti ja metalli pindade lihvimiseks.

Antud seadet tohib kasutada ainult vastavalt äranäidatud otstarbele.

KÄIVITUSVOOLU PIIRIK + SUJUVKÄIVITUS

Masina sisselülitusvool on nimivoolust mitu korda suurem. Käivitusvoolu piirikuga vähendatakse sisselülitusvoolu sedavõrd, et kaitse (16 A inertkaitse) ei reageeriks.

Turvaliseks käsitsemiseks mõeldud elektrooniline sujuvkäivitus takistab masina järsku käivitumist sisselülitamisel.

ELEKTROONIKA

Elektroonika häältestab koormuse tõusu puhul pöörlemiskiiruse.

Pikema ülekoormuse korral lülitub elektroonika vähendatud pöörlemiskiirusele. Masin töötab mootori mähise jahutamiseks AEGlaselt edasi. Pärast välja ja uuesti sisse lülitamist saab masinaga nimikoormusvahemikus edasi töötada.

TAASKÄIVITUSKAITSE

Nullpingelüliti takistab masina taaskäivitumist pärast voolukatkestust. Töö taasalustamisel lülitage masin välja ja uuesti sisse.

EÜ VASTAVUSAVALDUS

Me deklareerime ainuisikuliselt vastutades, et lõigus „Tehnilised andmed“ kirjeldatud toode vastab direktiivide 2011/65/EU (RoHS), 2006/42/EU, 2004/108/EC (kuni 19 April 2016), 2014/30/EU (alates 20 April 2016) kõigile olulisele tähtsusega eeskirjadele ning järgmistele harmoniseeritud normatiivsetele dokumentidele:

EN 60745-1:2009+A11:2010
EN 60745-2-3:2011+A2:2013+A11:2014+A12:2014+A13:2015
EN 55014-1:2006+A1:2009+A2:2011
EN 55014-2:1997+A1:2001+A2:2008
EN 61000-3-2:2014
EN 61000-3-3:2013
EN 50581:2012

Winnenden, 2016-02-08



Alexander Krug
Managing Director



On volitatud koostama tehnilist dokumentatsiooni.

Techtronic Industries GmbH
Max-Eyth-Straße 10
71364 Winnenden
Germany

VÕRKU ÜHENDAMINE

Ühendage ainult ühefaasilise vahelduvvooluga ning ainult andmesildil toodud võrgupingega. Ühendada on võimalik ka kaitsekontaktita pistikupesadesse, kuna nende konstruktsioon vastab kaitseklassile II.

HOOLDUS

Hoidke masina õhutuspiilud alati puhtad.

Kasutage ainult AEG tarvikuid ja tagavaraosi. Detailid, mille väljavahetamist pole kirjeldatud, laske välja vahetada AEG klienditeeninduspunkti (vaadake brošüüri garantii / klienditeeninduste aadressid).

Vajadusel saab nõuda seadme plahvatusjoonise võimsussildil oleva masinatüübi ja kuuekohalise numbril alusel klienditeeninduspunkti või vahetult firmalt Techtronic Industries GmbH, Max-Eyth-Straße 10, 71364 Winnenden, Germany.

SÜMBOLID



ETTEVAATUST! TÄHELEPANU! OHUD!



Enne kõiki töid masina kallal tõmmake pistik pistikupesast välja.



Palun lugege enne käikulaskmist kasutusjuhend hoolikalt läbi.



Masinaga töötades kandke alati kaitseprille.



Kanda kaitsekindaid!



Ärge kasutage jõudu.



Tarvikud - ei kuulu tarne komplekti, soovitatav täiendus on saadaval tarvikute programmis.



Elektriseadmeid ei tohi utiliseerida koos majapidamisprügiga. Elektrilised ja elektroonilised seadmed tuleb eraldi kokku koguda ning keskkonnasõbralikuks utiliseerimiseks vastavas käitlusettevõttes ära anda. Küsige kohalikest pädevatest ametitest või edasimüüjalt käitlusajamade ja kogumispunktide kohta järele.



Kaitseklassi II elektritööriist. Elektritööriist, mille puhul ei sõltu kaitse mitte üksnes baasisolatsioonist, vaid ka täiendavate kaitsemeetmete nagu topeltisolatsiooni või tugevdatud isolatsiooni kohaldamisest. Mehhanism kaitsejuhi ühendamiseks puudub.



CE-märk



Regulatory Compliance Mark (RCM). Toode vastab kehtivatele eeskirjadele



Ukraina riiklik vastavusmärk



Euraasia vastavusmärk.

ТЕХНИЧЕСКИЕ ДАННЫЕ	Полировальная машина/Зачистная машина	PE 150	SE 12-180
Серийный номер изделия	4552 16 01.....	4552 20 01.....	4552 20 01.....
Номинальная выходная мощность.....	1200 W.....	1200 W.....	1200 W.....
Номинальная мощность (Ватт).....	600 W.....	600 W.....	600 W.....
Номинальное число оборотов.....	900-2500 min ⁻¹	1800-4800 min ⁻¹	1800-4800 min ⁻¹
Макс. номинальное число оборотов.....	4700 min ⁻¹	9000 min ⁻¹	9000 min ⁻¹
Диаметр шлифовального диска.....	150 mm.....	180 mm.....	180 mm.....
Резьба шпинделя.....	M 14.....	M 14.....	M 14.....
Вес согласно процедуре EPTA 01/2003.....	2,1 kg.....	2,5 kg.....	2,5 kg.....

Информация по шумам/вибрации

Значения замерялись в соответствии со стандартом EN 60 745.

Уровень шума прибора, определенный по показателю A, обычно составляет:

Уровень звукового давления (Небезопасность K=3dB(A)).....	82 dB(A).....	82 dB(A).....
Уровень звуковой мощности (Небезопасность K=3dB(A)).....	93 dB(A).....	93 dB(A).....

Пользуйтесь приспособлениями для защиты слуха.

Общие значения вибрации (векторная сумма трех направлений) определены в соответствии с EN 60745.

Полирование: значение вибрационной эмиссии a _h	3 m/s ²	- m/s ²
Небезопасность K =	1,5 m/s ²	- m/s ²
шлифовального круга: значение вибрационной эмиссии a _h	- m/s ²	3,3 m/s ²
Небезопасность K =	- m/s ²	1,5 m/s ²

ВНИМАНИЕ

Указанный в настоящем руководстве уровень вибрации измерен в соответствии с технологией измерения, установленной стандартом EN 60745 и может использоваться для сравнения электроинструментов друг с другом. Он также подходит для предварительной оценки вибрационной нагрузки.

Указанный уровень вибрации представляет основные виды использования электроинструмента. Но если электроинструмент используется для других целей, используемый инструмент отклоняется от указанного или техническое обслуживание было недостаточным, то уровень вибрации может отклоняться от указанного. В этом случае вибрационная нагрузка в течение всего периода работы значительно увеличивается.

Для точной оценки вибрационной нагрузки необходимо также учитывать время, в течение которого прибор отключен или включен, но фактически не используется. В этом случае вибрационная нагрузка в течение всего периода работы может существенно уменьшиться.

Установите дополнительные меры безопасности для защиты пользователя от воздействия вибрации, например: техническое обслуживание электроинструмента и используемого инструмента, поддержание рук в теплом состоянии, организация рабочих процессов.

⚠ ПРЕДУПРЕЖДЕНИЕ! Прочтите все указания по безопасности и инструкции. Упущения, допущенные при не соблюдении указаний и инструкций по технике безопасности, могут стать причиной электрического поражения, пожара и тяжелых травм. Сохраняйте эти инструкции и указания для будущего использования.

РЕКОМЕНДАЦИИ ПО ТЕХНИКЕ БЕЗОПАСНОСТИ ПОЛИРОВАЛЬНАЯ МАШИНА/ЗАЧИСТНАЯ МАШИНА

Общие предупреждающие указания по шлифованию наждачной бумагой и для полирования:

а) Настоящий электроинструмент предназначен для проволочной щетки (только у моделей PE 150) и применения в качестве шлифовальной машины с наждачной бумагой (только у моделей SE 12 180). Учитывайте все предупреждающие указания, инструкции, иллюстрации и данные, которые Вы получите с электроинструментом. При несоблюдении нижеприведенных указаний возможно поражения электротоком, возникновение пожара и/или получение серьезных травм.

б) b) Данный электроинструмент не предназначен для шлифования при помощи наждачной бумаги (только у моделей PE 150), полировки (только у моделей SE 12 180), разделение и черновое шлифование и работе с проволочными щетками. Использование электроинструмента не по назначению может вывести его из строя и нанести травмы.

в) Не применяйте принадлежности, которые не предусмотрены изготовителем специально для настоящего электроинструмента и не рекомендуются им. Только возможность крепления принадлежностей в Вашем электроинструменте не гарантирует еще его надежного применения.

г) Допустимое число оборотов рабочего инструмента должно быть не менее указанного на электроинструменте максимального числа оборотов. Оснастка, вращающаяся с большей, чем допустимо скоростью, может разорваться и разлететься в пространстве.

д) Наружный диаметр и толщина рабочего инструмента должны соответствовать размерам Вашего электроинструмента. Неправильно соразмеренные рабочие инструменты не могут быть в достаточной степени защищены или контролироваться.

е) Шлифовальные круги, фланцы, шлифовальные тарелки или другие принадлежности должны точно сидеть на шпинделе Вашего электроинструмента. Рабочие инструменты, неточно сидящие на шпинделе электроинструмента, вращаются с биением, сильно вибрируют и могут привести к потере контроля.

ж) Не применяйте поврежденные рабочие инструменты. Проверяйте каждый раз перед использованием рабочие инструменты, как то, шлифовальные тарелки на трещины, риски или сильный износ. После падения электроинструмента или рабочего инструмента проверяйте последний на повреждения и при необходимости установите неповрежденный рабочий инструмент. После закрепления рабочего инструмента займите сами и все находящиеся вблизи лица положение за пределами плоскости вращения рабочего инструмента и включите электроинструмент на одну минуту на максимальное число оборотов. Поврежденные рабочие инструменты разрезаются, в большинстве случаев, за это время контроля.

з) Применяйте средства индивидуальной защиты. В зависимости от выполняемой работы применяйте защитный щиток для лица, защитное средство для глаз или защитные очки. Насколько уместно, применяйте противопылевой респиратор, средства защиты органов слуха, защитные перчатки или специальный фартук, которые защищают Вас от абразивных частиц и частиц материала. Глаза должны быть защищены от летающих в воздухе посторонних тел, которые возникают при выполнении различных работ. Противопылевой респиратор или защитная маска органов дыхания должны задерживать возникающую при работе пыль. Продолжительное воздействие сильного шума может привести к потере слуха.

и) Следите за тем, чтобы все лица находились на безопасном расстоянии к Вашему рабочему участку. Каждое лицо в пределах рабочего участка должно иметь средства индивидуальной защиты. Осколки детали или разорванных рабочих инструментов могут отлететь в сторону и стать причиной травм также и за пределами непосредственного рабочего участка.

й) Держите электроинструмент только за изолированные поверхности рукояток, если Вы выполняете работы, при которых рабочий инструмент может попасть на скрытую электропроводку или на собственный шнур подключения питания. Контакт с токоведущим

проводом ставит под напряжение также металлические части электроинструмента и ведет к поражению электрическим током.

к) Держите шнур подключения питания в стороне от вращающегося рабочего инструмента. Если Вы потеряете контроль над инструментом, то шнур подключения питания может быть перерезан или захвачен вращающейся частью и Ваша кисть или рука может попасть под вращающийся рабочий инструмент.

л) Никогда не выключайте электроинструмент из рук, пока рабочий инструмент полностью не остановится. Вращающийся рабочий инструмент может зацепиться за опорную поверхность и в результате Вы можете потерять контроль над электроинструментом.

м) Выключайте электроинструмент при транспортировании. Ваша одежда может быть случайно захвачена вращающимся рабочим инструментом и последний может нанести Вам травму.

н) Регулярно очищайте вентиляционные прорези Вашего электроинструмента. Вентилятор двигателя затягивает пыль в корпус и большое скопление металлической пыли может привести к электрической опасности.

о) Не пользуйтесь электроинструментом вблизи горючих материалов. Искры могут воспалить эти материалы.

п) Не применяйте рабочие инструменты, требующие применение охлаждающих жидкостей. Применение воды или других охлаждающих жидкостей может привести к поражению электротоком.

Обратный удар и соответствующие предупреждающие указания

Обратный удар это внезапная реакция в результате заедания или блокирования вращающегося рабочего инструмента, как то, шлифовального круга, шлифовальной тарелки, проволочной щетки и т. д., ведущая к резкому останову вращающегося рабочего инструмента. При этом неконтролируемый электроинструмент ускоряется на месте блокировки против направления вращения рабочего инструмента.

Если шлифовальный круг заедает или блокирует в заготовке, то погруженная в заготовку кромка шлифовального круга может быть захвата и в результате привести к выскакиванию круга из заготовки или к обратному удару. При этом шлифовальный круг движется на оператора или от него, в зависимости от направления вращения круга на месте блокирования. Обратный удар является следствием неправильного использования электроинструмента или ошибки оператора. Он может быть предотвращен описанными ниже мерами предосторожности.

а) Крепко держите электроинструмент и займите Вашим телом и руками положение, в котором Вы можете противодействовать обратным силам. При наличии, всегда применяйте дополнительную рукоятку, чтобы как можно лучше противодействовать обратным силам или реакционным моментам при наборе оборотов. Оператор может подходящими мерами предосторожности противодействовать силам обратного удара и реакционным силам.

б) Ваша рука никогда не должна быть вблизи вращающегося рабочего инструмента. При обратном ударе рабочий инструмент может пойти по Вашей руке.

в) Держитесь в стороне от участка, в котором при обратном ударе будет двигаться электроинструмент. Обратный удар ведет электроинструмент в противоположном направлении к движению шлифовального круга в месте блокирования.

г) Особенно осторожно работайте на углах, острых кромках и т. д. Предотвращайте отскок рабочего инструмента от заготовки и его заклинивание. Вращающийся рабочий инструмент склонен на углах, острых кромках и при отскоке к заклиниванию. Это вызывает потерю контроля или обратный удар.

д) Не применяйте пыльные цепи или пыльные полотна. Такие рабочие инструменты часто становятся причиной обратного удара или потери контроля над электроинструментом.

SE 12 180:

Специалин указания за безопасна работа при шлифоване с шкурка

а) Не используйте тверде големи листовые шкурка, спазвайте указания на производителя за размерите на шкурката. Листове шкурка, които се подават извън подложния диск, могат да предизвикат наранявания, както и да доведат до блокиране и разкъсване на шкурката или до възникване на откат.

SE 12 180:

Общие указания по безопасности для шлифования

а) Не применяйте шлифовальные листы с завышенными размерами, а следуйте данным изготовителя по размерам шлифовальных листов. Шлифовальные листы, выступающие за край шлифовальной тарелки, могут стать причиной травм и блокирования, рваться или привести к обратному удару.

PE 150:

Специальные предупреждающие указания для полирования

а) Убирайте незакрепленные части колпака полировального тампона, особенно тесемки крепления. Спрячьте или укоротите тесемки крепления. Висящие, вращающиеся тесемки крепления могут захватить Ваши пальцы или наматываются на деталь.

Электроприборы, используемые во многих различных местах, в том числе на открытом воздухе, должны подключаться через устройство, предотвращающее резкое повышение напряжения (FI, RCD, PRCD).

Не убирайте опилки и обломки при включенном инструменте.

Вставляйте вилку в розетку только при выключенном инструменте.

Никогда не касайтесь опасной режущей зоны в момент работы.

Всегда пользуйтесь дополнительной рукояткой.

Немедленно выключайте машину если почувствовали ошутимую вибрацию или при других неисправностях. Проверьте инструмент чтобы обнаружить причину неисправности.

Всегда используйте и храните шлифовальные диски в соответствии с инструкциями производителя.

Необходимо следить за тем, чтобы искры, вылетающие с обрабатываемой поверхности, не попадали на воспламеняющиеся материалы.

Следите чтобы искры или образующаяся при работе пыль не попадали на Вас.

Перед включением инструмента затяните зажимную гайку.

Если изделие не достаточно тяжелое и неустойчиво, то его необходимо закрепить. Никогда не подносите изделие к шлифовальному диску, держа его в руках.

При предельных условиях эксплуатации (напр., при гладкой шлифовке металлов с опорным диском и шлифовальным кругом из вулканизированной фибры) может образоваться сильное загрязнение во внутренней части угловой шлифовальной машины. При таких условиях эксплуатации из соображений безопасности необходима основательная очистка внутренней части от отложений металла и принудительное предварительное включение защитного выключателя тока утечки (FI). После срабатывания защитного выключателя FI следует отправить машинку в ремонт.

Предназначается для инструментов, которые могут использоваться с кругами, оснащенными резьбовым отверстием, причем длина резьбы должна соответствовать длине шпинделя.

ИСПОЛЬЗОВАНИЕ

PE 150: Полировщик может быть использован для полировки лаков, облицовки, пластика и других гладких поверхностей.

SE 12 180: Шлифовальная машина может использоваться для шлифования деревянных, пластиковых и металлических поверхностей.

Не пользуйтесь данным инструментом способом, отличным от указанного для нормального применения.

ЭЛЕКТРОНИКА + ПЛАВНЫЙ СТАРТ

Стартовый ток при запуске машины в несколько раз выше чем номинальный ток. Ограничитель стартового тока ограничивает ток до значений исключаящих срабатывание предохранителя (16A)

Плавно старт для безопасной работы предотвращает резкое включение инструмента.

ЭЛЕКТРОНИКА

При увеличении нагрузки скорость вращения регулируется электроникой.

Если перегрузка продолжается в течение длительного времени, то электросистема переключается на пониженное число оборотов. Инструмент будет продолжать медленно работать, чтобы дать мотору остыть. После достаточного остывания инструмент можно включить снова, предварительно выключив его.

ЗАЩИТА ОТ ПОВТОРНОГО ВКЛЮЧЕНИЯ

Нулевой выключатель препятствует повторному пуску машины после перерыва в электроснабжении. При новом вводе в действие машину выключите и снова включите.

ДЕКЛАРАЦИИ О СООТВЕТСТВИИ СТАНДАРТАМ ЕС

Мы заявляем под собственную ответственность, что изделие, описанное в разделе «Технические характеристики», соответствует всем важным предписаниям Директивы 2011/65/EU (Директива об ограничении применения

опасных веществ в электрических и электронных приборах), 2006/42/EC, 2004/108/EC (до 19 апреля 2016), 2014/30/EU, 2014/30/EU (с 20 апреля 2016) и приведенным далее гармонизированным нормативным документам:

EN 60745-1:2009+A11:2010
EN 60745-2-3:2011+A2:2013+A11:2014+A12:2014+A13:2015
EN 55014-1:2006+A1:2009+A2:2011
EN 55014-2:1997+A1:2001+A2:2008
EN 61000-3-2:2014
EN 61000-3-3:2013
EN 50581:2012

Winnenden, 2016-02-08



Alexander Krug
Managing Director



Уполномочен на составление технической документации.

Techtronic Industries GmbH
Max-Eyth-Straße 10
71364 Winnenden
Germany

ЮДКЛЮЧЕНИЕ К ЕЛЕКТРОСЕТИ

Подсоединять только к однофазной сети переменного тока с напряжением, соответствующим указанному на инструменте. Электроинструмент имеет второй класс защиты, что позволяет подключать его к розеткам электропитания без промежуточного вывода.

ОБСЛУЖИВАНИЕ

Всегда держите охлаждающие отверстия чистыми.

Пользуйтесь аксессуарами и запасными частями только фирмы AEG. В случае возникновения необходимости в замене, которая не была описана, пожалуйста, обращайтесь на один из сервисных центров (см. список наших гарантийных/сервисных организаций).

При необходимости, у сервисной службы или непосредственно у фирмы Techtronic Industries GmbH, Max-Eyth-Straße 10, 71364, Винненден, Германия, можно запросить сборочный чертеж устройства, сообщив его тип и шестизначный номер, указанный на фирменной табличке.

СИМВОЛЫ



ВНИМАНИЕ! ПРЕДУПРЕЖДЕНИЕ! ОПАСНОСТИ!



Перед выполнением каких-либо работ по обслуживанию инструмента всегда вынимайте вилку из розетки.



Пожалуйста, внимательно прочтите инструкцию по использованию перед началом любых операций с инструментом.



При работе с инструментом всегда надевайте защитные очки.



Надевать защитные перчатки!



Не применяйте силу



Принадлежности - В стандартную комплектацию не входит, поставляется в качестве дополнительной принадлежности.



Электрические устройства нельзя утилизировать вместе с бытовым мусором. Электрические и электронные устройства следует собирать отдельно и сдавать в специализированную утилизирующую компанию для утилизации в соответствии с нормами охраны окружающей среды. Сведения о центрах вторичной переработки и пунктах сбора можно получить в местных органах власти или у вашего специализированного дилера.



Электроинструмент с классом защиты II. Электроинструмент, в котором защита от электрического удара зависит не только от основной изоляции, но и от того, что принимаются дополнительные защитные меры, такие как двойная изоляция или усиленная изоляция. Нет устройства для подключения защитного провода.



Знак CE



Regulatory Compliance Mark (RCM). Продукт соответствует требованиям действующих предписаний.



Национальный знак відповідності України



Сертификат Соответствия
No. TC RU C-DE.ГП86.В.00177
Срок действия Сертификата Соответствия по 14.05.2020
ООО «Ручные электрические машины. Сертификация»
141400, Рф, Московская область, г. Химки, Ул. Ленинградская, 29

Транспортировка:

Категорически не допускается падение и любые механические воздействия на упаковку при транспортировке.

При разгрузке/погрузке не допускается использование любого вида техники, работающей по принципу зажима упаковки.

Хранение:

Необходимо хранить в сухом месте. Необходимо хранить вдали от источников повышенных температур и воздействия солнечных лучей.

При хранении необходимо избегать резкого перепада температур. Хранение без упаковки не допускается.

Срок службы изделия:

Срок службы изделия составляет 5 лет. Не рекомендуется к эксплуатации по истечении 5 лет хранения с даты изготовления без предварительной проверки.

Дата изготовления (код даты) отштампован на поверхности корпуса изделия.

Пример:

A2015, где 2015 - год изготовления

A - месяц изготовления

Определить месяц изготовления можно согласно приведенной ниже таблице

A - Январь	G - Июль
B - Февраль	H - Август
C - Март	J - Сентябрь
D - Апрель	K - Октябрь
E - Май	L - Ноябрь
F - Июнь	M - Декабрь

Тектроник Индастриз ГмбХ
Германия, 71364, Винненден,
ул. Макс-Ай-Штрассе, 10
Сделано в Чехии

ТЕХНИЧЕСКИ ДАННИ	Полировачна машина/Шлайфмашина	PE 150	SE 12-180
Производствен номер.....	4552 16 01.....	4552 20 01.....	4552 20 01.....
Номинална консумирана мощност.....	1200 W.....	1200 W.....	1200 W.....
Отдавана мощност.....	600 W.....	600 W.....	600 W.....
Номинална скорост на въртене.....	900-2500 min ⁻¹	1800-4800 min ⁻¹	1800-4800 min ⁻¹
Макс. номинална скорост на въртене.....	4700 min ⁻¹	9000 min ⁻¹	9000 min ⁻¹
Ø на абразивните дискове.....	150 mm.....	180 mm.....	180 mm.....
Резба на шпиндела.....	M 14.....	M 14.....	M 14.....
Тегло съгласно процедурата EPTA 01/2003.....	2,1 kg.....	2,5 kg.....	2,5 kg.....

Информация за шума/вибрациите

Измерените стойности са получени съобразно EN 60 745.

Оцененото с А ниво на шума на уреда е съответно:

Ниво на звукова мощност (Несигурност K=3dB(A))..... 82 dB(A)..... 82 dB(A)
Ниво на звукова мощност (Несигурност K=3dB(A))..... 93 dB(A)..... 93 dB(A)

Да се носи предпазно средство за слуха!

Общите стойности на вибрациите (векторна сума на три посоки) са определени в съответствие с EN 60745.

Полиране: стойност на емисии на вибрациите a_h..... 3 m/s²..... - m/s²
Несигурност K =..... 1,5 m/s²..... - m/s²
Шлайфане сплътмасови шлайфовни дискове: стойност на емисии на вибрациите a_h..... - m/s²..... 3,3 m/s²
Несигурност K =..... - m/s²..... 1,5 m/s²

ВНИМАНИЕ

Посоченото в тези инструкции ниво на вибрациите е измерено в съответствие със стандартизиран в EN 60745 измервателен метод и може да се използва за сравнение на електрически инструменти помежду им. Подходящ е и за временна оценка на вибрационното натоварване.

Посоченото ниво на вибрациите представя основните приложения на електрическия инструмент. Ако обаче електрическият инструмент се използва за друго предназначение, с различни сменяеми инструменти или при недостатъчна техническа поддръжка, нивото на вибрациите може да е различно. Това чувствително може да увеличи вибрационното натоварване по време на целия работен цикъл.

За точната оценка на вибрационното натоварване трябва да се вземат предвид и периодите от време, в които уредът е изключен или работи, но в действителност не се използва. Това чувствително може да намали вибрационното натоварване по време на целия работен цикъл.

Определете допълнителни мерки по техника на безопасност в защита на обслужващия работник от въздействието на вибрациите като например: техническа поддръжка на електрическия инструмент и сменяемите инструменти, поддръжане на ръцете топли, организация на работния цикъл.

▲ ВНИМАНИЕ! Прочетете указанията за безопасност и съветите в приложената брошура. Неспазването на приведените по-долу указания може да доведе до токов удар, пожар и/или тежки травми. **Съхранявайте тези указания на сигурно място.**

▲ СПЕЦИАЛНИ УКАЗАНИЯ ЗА БЕЗОПАСНОСТ ПОЛИРОВАЧНА МАШИНА/ШЛАЙФМАШИНА

Общи указания за безопасна работа при шлифване с шкурка и полиране:

а) Този електроинструмент може да се използва за полиране (само при PE 150) и шлифване с шкурка (само при SE 12 180). Спазвайте всички указания и предупреждения, съобразявайте се с приведените технически параметри и изображения. Ако не спазвате посочените по-долу указания, последствията могат да бъдат токов удар, пожар и/или тежки травми.

б) Този електроинструмент не е подходящ за шлайфане с шкурка (само при PE 150), за полиране (само при SE 12 180), рязане и грубо шлайфане и работа с телена четка. Ако се използва за цели, за които не е предвиден, този електроуред може да доведе до опасност и наранявания.

в) Не използвайте допълнителни приспособления, които не се препоръчват от производителя специално за този електроинструмент. Фактът, че можете да закрепите към машината определено приспособление или работен инструмент, не гарантира безопасна работа с него.

г) Допустимата скорост на въртене на работния инструмент трябва да е най-малкото равна на изписаната на табелката на електроинструмента максимална скорост на въртене. Работни инструменти, които се въртят с по-висока скорост от допустимата, могат да се очупят и парчета от тях да отхвърчат с висока скорост.

д) Външният диаметър и дебелината на работния инструмент трябва да съответстват на данните, посочени в техническите характеристики на Вашия електроинструмент. Работни

инструменти с неподходящи размери не могат да бъдат екранирани по необходимия начин или да бъдат контролирани достатъчно добре.

е) Шлифовашите дискове, фланци, подложните дискове или другите приложни инструменти трябва да пасват точно на вала на Вашия електроинструмент. Работни инструменти, които не пасват точно на вала на електроинструмента, се въртят неравномерно, вибрират силно и могат да доведат до загуба на контрол над машината.

ж) Не използвайте повредени работни инструменти. Преди всяка употреба проверявайте работните инструменти, подложните дискове за пукнатини или силно износване. Ако изтървете електроинструмента или работния инструмент, ги проверявайте внимателно за увреждания или използвайте нови неповредени работни инструменти. След като сте проверили внимателно и сте монтирали работния инструмент, оставете електроинструмента да работи на максимални обороти в продължение на една минута; стойте и дръжте намиращи се наблизо лица встрани от равнината на въртене. Най-често повредени работни инструменти се чупят през този тестов период.

з) Работете с лични предпазни средства. В зависимост от приложеното работете с цяла маска за лице, защита за очите или предпазни очила. Ако е необходимо, работете с дихателна маска, шумозаглушители (антифони), работни обувки или специализирана престилка, която Ви предпазва от малки откъртени при работата частички. Очите Ви трябва да са защитени от летящите в зоната на работа частички. Противопроуховата или дихателната маска филтрират възникващия при работа прах. Ако продължително време сте изложени на силен шум, това може да доведе до загуба на слух.

и) Внимавайте други лица да бъдат на безопасно разстояние от зоната на работа. Всеки, който се намира в зоната на

работа, трябва да носи лични предпазни средства. Открити парченца от обработвания детайл или работния инструмент могат в резултат на силното ускорение да отлетят надалече и да предизвикат наранявания също и извън зоната на работа.

й) Ако изпълнявате дейности, при които съществува опасност работният инструмент да падане на скрити проводници под напрежение или да засегне захранващи кабел, допирайте електроинструмента само до електроизолираните ръкохватки. При влизане на работния инструмент в контакт с проводници под напрежение то се предава по металните детайли на електроинструмента и това може да доведе до токов удар.

к) Дръжте захранващия кабел на безопасно разстояние от въртящите се работни инструменти. Ако изгубите контрол над електроинструмента, кабелът може да бъде прерязан или увлечен от работния инструмент и това да предизвика наранявания, напр. на ръката Ви.

л) Никога не оставяйте електроинструмента, преди работният инструмент да спре напълно въртенето си. Въртящият се инструмент може да допре до предмет, в резултат на което да загубите контрол над електроинструмента.

м) Докато пренасяте електроинструмента, не го оставяйте включен. При неволен допир дребните или косите Ви могат да бъдат увлечени от работния инструмент, в резултат на което работният инструмент може да се вреже в тялото Ви.

н) Редовно почиствайте вентилационните отвори на Вашия електроинструмент. Турбината на електродвигателя засмуква прах в корпуса, а натрупването на метален прах увеличава опасността от токов удар.

о) Не използвайте електроинструмента в близост до леснозапалими материали. Летящи искри могат да предизвикат възпламеняването на такива материали.

п) Не използвайте работни инструменти, които изискват прилагането на охлаждащи течности. Използването на вода или други охлаждащи течности може да предизвика токов удар.

Откат и съвети за избягването му

Откат е внезапната реакция на машината вследствие на заклиняване или блокиране на въртящия се работен инструмент, напр. абразивен диск, гумен подложен диск, телена четка и др. п. Заклиняването или блокирането води до рязкото спиране на въртенето на работния инструмент. Вследствие на това електроинструментът получава силно ускорение в посока, обратна на посоката на движение на инструмента в точката на блокиране, и става неуправляем. Ако напр. абразивен диск се заклини или блокира в обработваното изделие, ръбът на диска, който допира детайла, може да се огъне и в резултат дискът да се счупи или да възникне откат. В такъв случай дискът се ускорява към работещия с машината или в обратна посока, в зависимост от посоката на въртене на диска и мястото на заклиняване.

Откат възниква в резултат на неправилно или погрешно използване на електроинструмента. Възникването му може да бъде предотвратено чрез спазването на подходящи предпазни мерки, както е описано по-долу.

а) Дръжте електроинструмента здраво и дръжте ръцете и тялото си в такава позиция, че да противостоите на евентуално възникващ откат. Ако електроинструментът има спомагателна ръкохватка, винаги я използвайте, за да го контролирате по-добре при откат или при възникващите реакционни моменти по време на включване. Ако предварително вземете подходящи предпазни мерки, при възникване на откат или силни реакционни моменти можете да овладеете машината.

б) Никога не поставяйте ръцете си в близост до въртящи се работни инструменти. Ако възникне откат, инструментът може да нарани ръката Ви.

в) Избягвайте да заставате в зоната, в която би отскочил електроинструментът при възникване на откат. Откатът премества машината в посока, обратна на посоката на движение на работния инструмент в зоната на блокиране.

г) Работете особено предпазливо в зоните на ъгли, остри ръбове и др. п. Избягвайте отблъскването или заклиняването на работните инструменти в обработвания детайл. При

обработване на ъгли или остри ръбове или при рязко отблъскване на въртящия се работен инструмент съществува повишена опасност от заклиняване. Това предизвиква загуба на контрол над машината или откат.

д) Не използвайте верижни или назъбени режещи листове. Такива работни инструменти често предизвикват откат или загуба на контрол над електроинструмента.

**SE 12 180:
Непозволено указание за безопасна работа при шлифване с шкурка**

а) Не използвайте твърде големи листове шкурка, спазвайте указанията на производителя за размерите на шкурката. Листове шкурка, които се подават извън подложния диск, могат да предизвикат наранявания, както и да доведат до блокиране и разкъсване на шкурката или до възникване на откат.

**PE 150:
Специални указания за безопасна работа при полиране**

а) Не оставяйте висящи нишки или предмети по полиращото платно, напр. връв за окачване. Ако платното има връв за окачване, предварително я връзвайте или отрязвайте. Вървяща се незахраната връв може да увлече пръстите Ви или да се усуче около обработвания детайл.

Контактите във външните участъци трябва да бъдат оборудвани със защитни прекъсвачи за утечен ток (FI, RCD, PRCD). Това изисква предписанието за инсталиране за електрическата инсталация. Моля спазвайте това при използване на Вашия уред.

Стружики или отчупени парчета да не се отстраняват, докато машина работи.

Свързвайте машината към контакта само в изключено положение.

Не бъркайте в зоната на опасност на работещата машина.

Винаги да се използва допълнителната ръкохватка. Това важи също при машини с предпазен съединител, понеже той се задейства само при блокиране чрез импулс.

Веднага изключете машината, ако се появят значителни вибрации или бъдат установени други нередности. Проверете машината за да установите причината.

Абразивните дискове винаги да се използват и съхраняват съобразно данните на производителя.

При шлифване на метали възниква искрене. Обърнете внимание да не бъдат застрашени хора. Поради опасност от пожар наблизо (в обсега на искрите) не бива да се намират горими материали. Да не се използва прахоулавяне.

Дръжте уреда винаги така, че искрите или образуващият се при шлифването прах да отлитат настрани от тялото.

Преди пускане на машината фланцовата гайка трябва да бъде затегната.

Обработваният материал трябва да бъде затегнат здраво, ако не се държи от собственото си тегло. Никога не водете материала с ръка срещу диска.

При екстремални условия на експлоатация (напр. при гладко шлифване на метали с опорния диск и вулканфйбърните шлифовъчни дискове) може да се натрупа силно замърсяване във вътрешността на ъгловото шлифовъчно устройство. При такива експлоатационни условия от гледна точка на сигурност е необходимо основно почистване на вътрешността от метални отлагания и задължително предварително включване на защитен прекъсвач за утечен ток FI. След задействане на защитния FI-прекъсвач машината трябва да се изпрати за ремонт.

При абразивни материали, които трябва да бъдат снабдени с диск с резба, трябва да се гарантира, че резбата в диска е достатъчно дълга за шпиндела.

ИЗПОЛЗВАНЕ ПО ПРЕДНАЗНАЧЕНИЕ

PE 150: Полировъчната машина може да се използва за полиране на боядисани повърхности, покрития, пластмаси и други гладки повърхности.

SE 12 180: Шлифовъчната машина е подходяща за плоско шлифване на дърво, пластмасата и метал.

Този уред може да се използва по предназначение само както е посочено.

ОГРАНИЧАВАНЕ НА ПУСКОВИЯ ТОК + ПЛАВНИЯТ СТАРТ

Пусковият ток на машината е многократно по-голям от номиналния. С ограничаването на пусковия ток той се намалява доотолкова, че да не се задейства предпазител (16 А инертно).

Плавният старт, осигурен от електрониката за сигурно манипулиране с машината, предотвратява при включване появата на тласъци при задействането на машината.

ЕЛЕКТРОНИКА

При увеличаване на натоварването електрониката регулира честотата на въртене.

При по-продължително претоварване електрониката превключва на по-ниска честота на въртене. Машината продължава да се върти бавно за охлаждане на намотката на двигателя. След изключване и повторно включване работата с машината може да продължи в диапазона на номинално натоварване.

ЗАЩИТА ОТ ПОВТОРНО ПУСКАНЕ

Нулевият прекъсвач предотвратява повторно задвижване на машината след отпадане на тока. При възобновяване на работата машината да се изключи и да се включи отново.

СЕ - ДЕКЛАРАЦИЯ ЗА СЪОТВЕТСТВИЕ

Заявявам под собствена отговорност, че описаният в "Технически данни" продукт съответства на всички важни разпоредби на директива 2011/65/EU (RoHS), 2006/42/EO, 2004/108/EO (до 19 април 2016), 2014/30/EC, 2014/30/EU (аб 20 април 2016), както и на всички следващи нормативни документи във тази връзка.

EN 60745-1:2009+A11:2010
EN 60745-2-3:2011+A2:2013+A11:2014+A12:2014+A13:2015
EN 55014-1:2006+A1:2009+A2:2011
EN 55014-2:1997+A1:2001+A2:2008
EN 61000-3-2:2014
EN 61000-3-3:2013
EN 50581:2012

Winnenden, 2016-02-08

Alexander Krug
Managing Director

Упълномощен за съставяне на техническата документация
Techtronic Industries GmbH
Max-Eyth-Straße 10
71364 Winnenden
Germany

СВЪРЗВАНЕ КЪМ МРЕЖАТА

Да се свързва само към еднофазен променлив ток и само към мрежово напрежение, посочено върху заводската табелка. Възможно е и свързване към контакт, който не е от тип "шuko", понеже конструкцията е от защитен клас II.

ПОДДРЪЖКА

Вентилационните шлицы на машината да се поддържат винаги чисти.

Да се използват само аксесоари на AEG и резервни части на. Елементи, чията подмяна не е описана, да се дадат за подмяна в сервис на AEG (вижте брошурата "Гаранция и адреси на сервиси).

При необходимост можете да поискате схема на елементите на уреда при посочване на обозначение на машината и шестцифрения номер на табелката за технически данни от Вашия сервис или директно на Techtronic Industries GmbH, Max-Eyth-Straße 10, 71364 Winnenden, Германия.

СИМВОЛИ



**ВНИМАНИЕ! ПРЕДУПРЕЖДЕНИЕ!
ОПАСНОСТ**



Преди каквито и да е работи по машината извадете щепсела от контакта.



Преди пускане на уреда в действие моля прочетете внимателно инструкцията за използване.



При работа с машината винаги носете предпазни очила.



Да се носят предпазни ръкавици!



Не използвайте сила.



Аксесоари - Не се съдържат в обема на доставката, препоръчано допълнение от програмата за аксесоари.



Електрическите уреди не трябва да се изхвърлят заедно с битовите отпадъци. Електрическото и електронното оборудване трябва да се събират отделно и да се предават на службите за рециклиране на отпадъците според изискванията за опазване на околната среда. Информирайте се при местните служби или при местните специализирани търговци относно местата за събиране и центровете за рециклиране на отпадъци.



Електроинструмент от защитен клас II. Електроинструмент, при който защитата от електрически удар зависи не само от основната изолация, а и от допълнително защитни мерки като двойна изолация или усилена изолация. Няма приспособление за присъединяване на защитен проводник.



СЕ-знак



Regulatory Compliance Mark (RCM). Продуктът отговаря на приложимите нормативни изисквания.



Национален знак за съответствие - Украйна



EurAsian знак за съответствие.

DATE TEHNICE	Șlefuitor/Șlefuitor unghiular	PE 150	SE 12-180
Număr producție.....	4552 16 01.....	4552 20 01.....	000001-999999
Putere nominală de ieșire.....	1200 W.....	1200 W.....	
Putere de ieșire.....	600 W.....	600 W.....	
Turație nominală.....	900-2500 min ⁻¹	1800-4800 min ⁻¹	
Maximă turație nominală.....	4700 min ⁻¹	9000 min ⁻¹	
Diametru disc de rectificarea.....	150 mm.....	180 mm.....	
Filetul axului de lucru.....	M 14.....	M 14.....	
Greutatea conform „EPTA procedure 01/2003”.....	2,1 kg.....	2,5 kg.....	

Informație privind zgomotul/vibrațiile

Valori măsurate determinate conform EN 60745.

Nivelul de zgomot evaluat cu A al aparatului este tipic de:

Nivelul presiunii sonore (Nesiguranță K=3dB(A))..... 82 dB(A)..... 82 dB(A)

Nivelul sunetului (Nesiguranță K=3dB(A))..... 93 dB(A)..... 93 dB(A)

Purtați căști de protecție

Valorile totale de oscilație (suma vectorială pe trei direcții)

determinate conform normei EN 60745.

Polizare: valoarea emisiei de oscilații a_n..... 3 m/s²..... - m/s²

Nesiguranță K = 1,5 m/s²..... - m/s²

Polizarea cu disc de polizat din material sintetic: valoarea emisiei de oscilații a_n..... 3,3 m/s²

Nesiguranță K = 1,5 m/s²..... 1,5 m/s²

AVERTISMENT

Gradul de oscilație indicat în prezentele instrucțiuni a fost măsurat în conformitate cu o procedură de măsurare normată prin norma EN 60745 și poate fi folosit pentru a compara uneltele electrice între ele. El se pretează și pentru o evaluare provizorie a solicitării la oscilații.

Gradul de oscilație indicat reprezintă aplicațiile principale ale uneltelor electrice. În cazul în care însă uneltele electrice au fost folosite pentru alte aplicații, ori au fost folosite uneltele de muncă diferite ori acestea nu au fost supuse unei suficiente inspecții de întreținere, gradul de oscilație poate fi diferit. Acest fapt poate duce la o creștere netă a solicitărilor la oscilații dealungul întregii perioade de lucru.

În scopul unei evaluări exacte a solicitării la oscilații, urmează să fie luate în considerație și perioadele de timp în care aparatul a fost oprit ori funcționează dar, în realitate, el nu este folosit în mod practic. Acest fapt poate duce la o reducere netă a solicitărilor la oscilații dealungul întregii perioade de lucru.

Stabilități măsurii de siguranță suplimentare în scopul protecției utilizatorului de efectele oscilațiilor, de exemplu: inspecție de întreținere a uneltelor electrice și a celor de muncă, păstrarea caldă a mâinilor, organizarea proceselor de muncă.

⚠️ AVERTISMENT! Citiți toate avizele de siguranță și indicațiile, chiar și cele din borșura alăturată.

Nerespectarea indicațiilor de avertizare și a instrucțiunilor poate provoca electrocutare, incendii și/sau răni grave. Păstrați toate indicațiile de avertizare și instrucțiunile în vederea utilizării viitoare.

⚠️ INSTRUCȚIUNI DE SECURITATE ȘLEFUITOR/ȘLEFUITOR UNGHIULAR

Avertismente comune pentru șlefuire cu hârtie abrazivă și lustruire:

a) Această sculă electrică se va folosi ca polizor (aplicabil numai pt. PE 150) și mașină specială de retezat cu disc abraziv (aplicabil numai pt. SE 12 180).

Respectați toate avertismentele, instrucțiunile, reprezentările și datele primite împreună cu scula electrică. În cazul în care nu veți respecta următoarele instrucțiuni, se poate ajunge la electrocutare, incendii și/sau răni grave.

b) Această sculă electrică nu este adecvată pentru șlefuire cu hârtie abrazivă (aplicabil numai pt. PE 150), pentru rodare (aplicabil numai pt. SE 12 180), polizarea de rețezare și de degroșare și pentru lucrul cu perii de oțel. Utilizarea sculei electrice la operații pentru care nu este concepută poate cauza pericole și accidentări.

c) Nu folosiți dispozitive de lucru care nu sunt prevăzute și recomandate în mod special de către producător pentru această sculă electrică. Faptul în sine că dispozitivul respectiv poate fi montat pe scula dumneavoastră electrică nu garantează în niciun caz utilizarea lui sigură.

d) Turația admisă a dispozitivului de lucru trebuie să fie cel puțin egală cu turația maximă indicată pe scula electrică. Un accesoriu care se rotește mai repede decât

este admis, se poate rupe, iar bucățile desprinse pot zbura în toate părțile.

e) Diametrul exterior și grosimea dispozitivului de lucru trebuie să corespundă datelor dimensionale ale sculei dumneavoastră electrice. Dispozitivele de lucru greșit dimensionate nu pot fi protejate sau controlate în suficientă măsură.

f) Discurile de șlefuit, flanșele, discurile abrazive sau celelalte accesorii trebuie să se potrivească exact pe arborele de polizat al sculei dumneavoastră electrice. Dispozitivele de lucru care nu se potrivească exact pe arborele de polizat al sculei dumneavoastră electrice, se rotește neuniform, vibrează foarte puternic și pot duce la pierderea controlului.

g) Nu folosiți dispozitive de lucru deteriorate. Înainte de fiecare utilizare controlați dacă dispozitivele de lucru dacă discurile abrazive nu sunt fisurate, uzate sau foarte tocite. Dacă scula electrică sau dispozitivul de lucru cade pe jos, verificați dacă nu s-a deteriorat sau folosiți un dispozitiv de lucru nedeteriorat. După ce ați controlat și montat dispozitivul de lucru, țineți persoana aflate în preajmă în afara planului de rotație al dispozitivului de lucru și lăsați scula electrică să funcționeze un minut la turația nominală. De cele mai multe ori, dispozitivele de lucru deteriorate se rup în această perioadă de probă.

h) Purtați echipament personal de protecție. În funcție de utilizare, purtați o protecție completă a feței, protecție pentru ochi sau ochelari de protecție. Dacă este cazul, purtați mască de protecție împotriva prafului, protecție auditivă, mănuși de protecție sau șor special care să vă ferească de micile așchii și particule de material. Ochii trebuie protejați de corpurile străine aflate în zbor, apărute în cursul diferitelor aplicații. Maska de protecție împotriva

prafului sau masca de protecție a respirației trebuie să filtreze praful degajat în timpul utilizării. Dacă sunteți expuși timp îndelungat zgomotului puternic, vă puteți pierde auzul.

i) Aveți grijă ca celelalte persoane să păstreze o distanță sigură față de sectorul dumneavoastră de lucru. Oricine pătrunde în sectorul de lucru trebuie să poarte echipament personal de protecție. Fragmente din piesa de lucru sau din dispozitivele rupte pot zbura necontrolat și provoacă răni chiar în afara sectorului direct de lucru.

j) Apucați scula electrică numai de mânerul izolat atunci când executați lucrări la care dispozitivul de lucru poate nimeri conductori electrici ascunși sau propriul cablu de alimentare. Contactul cu un conductor sub tensiune pune sub tensiune și componentele metalice ale sculei electrice și duce la electrocutare.

k) Țineți cablul de alimentare departe de dispozitivele de lucru care se rotește. Dacă pierdeți controlul asupra mașinii, cablul de alimentare poate fi tăiat sau prins iar mâna sau brațul dumneavoastră poate nimeri sub dispozitivul de lucru care se rotește.

l) Nu puneți niciodată jos scula electrică înainte ca dispozitivul de lucru să se fi oprit complet. Dispozitivul de lucru care se rotește poate ajunge în contact cu suprafața de sprijin, fapt care vă poate face să pierdeți controlul asupra sculei electrice.

m) Nu lăsați șcula electrică să funcționeze în timp ce o transportați. În urma unui contact accidental cu dispozitivul de lucru care se rotește, acesta vă poate prinde îmbrăcămintea și chiar pătrunde în corpul dumneavoastră.

n) Curățați regulat fantele de aerisire ale sculei dumneavoastră electrice. Ventilatorul motorului atrage praf în carcasă iar acumularea puternică de pulberi metalice poate provoca pericole electrice.

o) Nu folosiți scula electrică în apropierea materialelor inflamabile. Scântelele pot duce la aprinderea acestor materiale.

p) Nu folosiți dispozitive de lucru care necesită agenți de răcire lichizi. Folosirea apei sau a altor agenți de răcire lichizi poate duce la electrocutare.

Recul și avertismente corespunzătoare

Recul este reacția bruscă apărută la agățarea sau blocarea unui dispozitiv de lucru care se rotește, cum ar fi un disc de șlefuit, un disc abraziv, o perie de sârmă, etc. Agățarea sau blocarea duce la oprirea bruscă a dispozitivului de lucru care se rotește. Aceasta face, ca scula electrică necontrolată să fie accelerată în punctul de blocare, în sens contrar direcției de rotație a dispozitivului de lucru.

Dacă, de exemplu, un disc de șlefuit se agață sau se blochează în piesa de lucru, marginea discului de șlefuit care penetrează direct piesa de lucru se poate agăța în aceasta și duce astfel la smulgerea discului de șlefuit sau poate provoca recul. Discul de șlefuit se va deplasa către operator sau în sens opus acestuia, în funcție de direcția de rotație a discului în punctul de blocare.

Un recul este consecința utilizării greșite sau defectuoase a sculei electrice. El poate fi împiedicat prin măsuri preventive adecvate, precum cele descrise în continuare.

a) Țineți bine scula electrică și aduceți-vă corpul și brațele într-o poziție în care să puteți controla forțele de recul. Folosiți întotdeauna un mâner suplimentar, în caz că acesta există, pentru a avea un control maxim asupra forțelor de recul sau a momentelor de reacție la turații înalte. Operatorul poate stăpâni forțele de recul și de reacție prin măsuri preventive adecvate.

b) Nu apropiați niciodată mâna de dispozitivele de lucru aflate în mișcare de rotație. În caz de recul dispozitivul de lucru se poate deplasa peste mâna dumneavoastră.

c) Evitați să staționați cu corpul în zona de mișcare a sculei electrice în caz de recul. Reculul proiectează scula

electrică într-o direcție opusă mișcării discului de șlefuit din punctul de blocare.

d) Lucrați extrem de atent în zona colțurilor, muchiilor ascuțite, etc. Împiedicați răcoșarea dispozitivului de lucru de pe piesa de lucru și blocarea acestuia. Dispozitivul de lucru aflat în mișcare de rotație are tendința să se blocheze în colțuri, pe muchii ascuțite sau când răcoșează în urma izbirii. Aceasta duce la pierderea controlului sau la recul.

e) Nu folosiți pânze de ferăstrău pentru lemn sau pânze dințate. Asemenea dispozitive de lucru provoacă frecvent recul sau duc la pierderea controlului asupra sculei electrice.

SE 12 180:

Avertismente speciale privind șlefuirea cu hârtie abrazivă

a) Nu întrebuințați foi abrazive supradimensionate ci respectați indicațiile fabricantului privitoare la dimensiunile foilor abrazive. Foile abrazive care depășesc marginile discului abraziv, pot cauza răni precum și agățarea, ruperea foilor abrazive, sau pot duce la recul.

PE 150:

Avertismente speciale privind operațiile de lustruire

a) Nu lăsați să atârne liber porțiuni ale discului de lustruit, în special șnururile de prindere ale acestuia. Îndepărtați sau scurtați șnururile de prindere. Șnururile de prindere care atârna liber, rotindu-se împreună cu discul de lustruit vă pot apuca degetele sau se pot agăța în piesa de lucru.

Aparatele utilizate în multe locații diferite inclusiv în aer liber trebuie conectate printr-un disjunct (FI, RCD, PRCD) care previne comutarea.

Rumegușul și spanul nu trebuie îndepărtate în timpul funcționării mașinii.

Conectați la rețea numai când mașina este oprită.

Nu intrați niciodată în zona de pericol a plăcii când este în mișcare.

Utilizați întotdeauna mânerul auxiliar.

Opriti imediat mașina în caz de vibrații puternice sau dacă apar alte defecțiuni. Verificați mașina pentru depistarea cauzei.

Întotdeauna utilizați și păstrați discurile de șlefuire numai în conformitate cu instrucțiunile producătorului.

Când se șlefuește metal, se produc scântei zburătoare. Aveți grijă că nici o persoană nu se fie pusă în pericol. Datorită pericolului de incendiu, nici un material combustibil nu trebuie să fie amplasat în vecinătate (în zona de zbor a scânteiilor)

Aveți grijă că nici o scântea sau praf de șlefuit să nu

Piulița de reglare trebuie să fie stransă înainte de începerea lucrului cu această mașină.

Piesa de prelucrat trebuie fixată dacă nu este suficient de grea pentru a fi stabilă. Nu îndreptați niciodată piesa de prelucrat către discul polizorului cu mâna dvs.

În condiții extreme de utilizare (de ex. lustruirea metalelor cu platanul de reazem și cu discurile de șlefuit din fibră vulcanizată), în interiorul polizorului unghiular poate apărea murdărie în cantitate mare. În asemenea condiții de utilizare, din motive de siguranță este necesară o curățare temeinică a depunerilor metalice din interior și, obligatoriu, înserierea unui întrerupător diferențial. În caz de declanșare a întrerupătorului diferențial, mașina se va trimite la reparat.

Pentru sculele care se intenționează a fi dotate cu roți cu orificiu filetat, asigurați-vă că filetul roții este destul de lung pentru a accepta lungimea axului.

CONDIȚII DE UTILIZARE SPECIFICATE

PE 150: Mașina de lustruit poate fi utilizată pentru lustruirea lacurilor, acoperirilor, materialelor plastice și altor suprafețe netede.

SE 12 180: Mașina de șlefuit poate fi utilizată pentru șlefuirea lemnului, materialelor plastice și metalului.

Nu utilizați acest produs în alt mod decât cel stabilit pentru utilizare normală

LIMITATOR CURENT DE PORNIRE + MOALE DE PORNIRE

Curentul de pornire pentru mașina este de câteva ori mai mare decât curentul nominal. Limitatorul curentului de pornire produce un curent de pornire de o valoare astfel încât siguranța (16A, ardere întârziată) nu este decupată.

Pornirea electronică lină pentru economie previne funcționarea sacadata a mașinii.

ELECTRONICE

Viteza de rotație este reglată electronic atunci când sarcina crește.

În cazul unei perioade de suprasarcină mai mari, viteza este micșorată electronic. Mașina continuă să meargă încet pentru a răci înfășurarea motorului. După oprirea și pornirea mașinii, aceasta poate fi utilizată la sarcina prevăzută.

PROTECȚIE CONTRA REPORNIRII

Un comutator de tensiune zero previne repornirea mașinii după o cădere de tensiune. La reluarea lucrului, opriți mașina și apoi o reporniți.

DECLARAȚIE DE CONFORMITATE

Declarăm pe propria răspundere că produsul descris la "Date tehnice" este în concordanță cu toate prevederile legale relevante ale Directivei 2011/65/EU (RoHS), 2006/42/CE, 2004/108/CE (până la April 19, 2016), 2014/30/UE (de la 20 April 2016) și cu următoarele norme armonizate:

EN 60745-1:2009+A11:2010
EN 60745-2-3:2011+A2:2013+A11:2014+A12:2014+A13:2015
EN 55014-1:2006+A1:2009+A2:2011
EN 55014-2:1997+A1:2001+A2:2008
EN 61000-3-2:2014
EN 61000-3-3:2013
EN 50581:2012

Winnenden, 2016-02-08


Alexander Krug
Managing Director



Împuternicit să elaboreze documentația tehnică.

Technic Industries GmbH
Max-Eyth-Straße 10
71364 Winnenden
Germany

ALIMENTARE DE LA REȚEA

Conectați numai la priză de curent alternativ monofazat și numai la tensiunea specificată pe placuța indicatoare. Se permite conectarea și la prize fără împământare dacă modelul se conformează clasei II de securitate.

INTREȚINERE

Fantele de aerisire ale mașinii trebuie să fie menținute libere tot timpul

Utilizați numai accesorii și piese de schimb AEG. Dacă unele din componente care nu au fost descrise trebuie înlocuite, vă rugăm contactați unul din agenții de service AEG (vezi lista noastră pentru service / garanție)

Dacă este necesar, puteți solicita de la centrul dvs. de service pentru clienți sau direct la Technic Industries GmbH, Max-Eyth-Straße 10, 71364 Winnenden, Germania un desen descompus al aparatului prin indicarea tipului de aparat și a numărului cu șase cifre de pe tăblița indicatoare.

SIMBOLURI



PERICOLI AVERTIZARE! ATENȚIE!



Întotdeauna scoateți stecarul din priză înainte de a efectua intervenții la mașină.



Vă rugăm citiți cu atenție instrucțiunile înainte de pornirea mașinii



Purtați întotdeauna ochelari de protecție când utilizați mașina.



Purtați mănuși de protecție!



A nu se aplica forță.



Accesorii - Nu este inclus în echipamentul standard, disponibil ca accesoriu



Aruncarea aparatelor electrice la gunoii menajer este interzisă. Echipamentele electrice și electronice trebuie colectate separat și predate la un centru de reciclare și eliminare a deșeurilor, pentru a fi eliminate ecologic. Interesați-vă la autoritățile locale sau la comerciantul dvs. de specialitate unde se află centre de reciclare și puncte de colectare.



Sculă electrică cu clasa de protecție II. Sculă electrică la care protecția împotriva unei electrocutări nu depinde doar de izolația de bază, ci și de aplicarea de măsuri suplimentare de protecție, cum ar fi o izolație dublă sau o izolație mai puternică. Nu există un dispozitiv pentru conectarea unui conductor de protecție.



Marcaj CE



Regulatory Compliance Mark (RCM). Produsul îndeplinește normele în vigoare.



Marcaj național de conformitate Ucraina



Marcaj de conformitate EurAsian.

ТЕХНИЧКИ ПОДАТОЦИ

Полирач/Брусилка	PE 150	SE 12-180
Произведен број.....	4552 16 01.....	4552 20 01.....
Определен внес.....	1200 W.....	1200 W.....
Излез.....	600 W.....	600 W.....
Номинална брзина.....	900-2500 min ⁻¹	1800-4800 min ⁻¹
Макс. номинална брзина.....	4700 min ⁻¹	9000 min ⁻¹
Дијаметар на дискот за глодање.....	150 mm.....	180 mm.....
Срце на работната оска.....	M 14.....	M 14.....
Тежина според ЕПТА-процедурата 01/2003.....	2,1 kg.....	2,5 kg.....

Информација за бучавата/вибрациите

Измерените вредности се одредени согласно стандардот EN 60 745.

A-оценетото ниво на бучава на апаратот типично изнесува:

Ниво на звучен притисок. (Несигурност K=3dB(A)).....	82 dB(A).....	82 dB(A).....
Ниво на јачина на звук. (Несигурност K=3dB(A)).....	93 dB(A).....	93 dB(A).....

Носте штитник за уши.

Вкупни вибрациски вредности (векторски збир на трите насоки) пресметани согласно EN 60745.

Полски. Вибрациска емисиона вредност a _h	3 m/s ²	- m/s ²
Несигурност K.....	1,5 m/s ²	- m/s ²
Мазнење со хартија за шмирглање. Вибрациска емисиона вредност a _w	- m/s ²	3,3 m/s ²
Несигурност K.....	- m/s ²	1,5 m/s ²

ПРЕДУПРЕДУВАЊЕ

Нивото на осцилација наведено во овие инструкции е измерено во согласност со мерните постапки нормирани во EN 60745 и може да биде употребено за меѓусебна споредба на електро-алати. Ова ниво може да се употреби и за привремена проценка на оптоварувањето на осцилацијата.

Наведеното ниво на осцилација ги репрезентира главните намени на електро-алатот. Но, доколку електро-алатот се употребува за други намени, со отстапувачки додатоци или со несоодветно одржување, нивото на осцилација може да отстапи. Тоа може значително да го зголеми оптоварувањето на осцилацијата за време на целиот работен период.

За прецизна проценка на оптоварувањето на осцилацијата предвид треба да бидат земени и времињата, во коишто апаратот е исклучен или работи, но фактички не се употребува. Тоа може значително да го намали оптоварувањето на осцилацијата за време на целиот работен период.

Утврдете дополнителни безбедносни мерки за заштита на операторот од влијанието на осцилациите, како на пример: одржување на електро-алатот и на додатоци кон електро-алатот, одржување топли раце, организација на работните процеси.

▲ ПРЕДУПРЕДУВАЊЕ! Прочитајте ги сите безбедносни упатства и инструкции. Заборавање на почитувањето на безбедносните упатства и инструкции можат да предизвикаат електричен удар, пожар и/или тешки повреди. **Сочувајте ги сите безбедносни упатства и инструкции за во иднина.**

▲ УПАТСТВО ЗА УПОТРЕБА ПОЛИРАЧ/БРУСИЛКА

Заднички безбедносни упатства мазнење со хартија за шмирглање и полски.

а) Овој електро-алат треба да се употребува како шлајферица со хартија за шмирглање (применливо само за PE 150) и машина за полски (применливо само за SE 12 180). Почитувајте ги сите безбедносни упатства, упатства за работа, прикази и податоци што ги добивате заедно со електричниот алат. Доколку не ги почитувате следните упатства, може да дојде до електричен удар, до пожар и/или до тешки повреди.

б) Овој електро-алат не е наменет за шлајфување со рапава хартија (применливо само за PE 150), за полирање (применливо само за SE 12 180), за брусење, работа со жичани четки и брусилки за сечење. Секакви употреби, за кои овој алат не е предвиден, можат да предизвикаат загрозувања и повреди.

в) Не употребувајте прибор што не е предвиден и препорачан од производителот специјално за овој електро-алат. Доколку извесен прибор можете да го прицврстите на вашиот електричен алат, тоа не претставува гаранција за сигурно употреба.

г) Дозволеният број на вртежи на приборот мора да биде најмалку толку голем колку што е максималниот број на вртежи зададен на електро-алат. Приборот што се врти побргу од дозволеното, може да се скрши и разлета.

д) Надворешниот дијаметар и дебелината на приборот мора да соодветствуваат со податоците за димензиите на вашиот електро-алат. Приборите со несоодветна димензија не можат да бидат соодветно заштитени или контролирани.

ѓ) Диските за брусење, фланшовите, диските (подножјата за брусење) или друг прибор мора прецизно да соодветствуваат на осовината на вашиот електро-алат. Приборот што не одговара прецизно во осовината на електро-алатот, се врти нерамномерно, избира мошне јако и може да доведе до губење на контролата.

е) Не употребувајте оштетен прибор. Пред секоја употреба извршете контрола на подножјата за брусење по однос на пукнатини, изобаност или голема искористеност. Ако електро-алатот или приборот паднат, проверете, дали тие се оштетени или употребете неоштетен прибор. Ако приборот сте го провериле и го употребувате, тогаш вие и лицата, кои се наоѓаат во близина, треба да бидете вон доменот на ротирачкиот прибор и оставете го приборот да работи една минута со максимален број на вртежи. Оштетените прибор најчесто се крши во овој тест-период.

ж) Носете опрема за лична заштита. Зависно од употребата, користете целосна визуелна заштита, заштита за очите или заштитни очила. Доколку е потребно, носете маска за заштита од прашина, заштита за уши, заштитни ракавици или специјална престилка, со која се заштитувате од ситни честички од шлајфувањето и од материјалот. Очите треба да бидат заштитени од страни тела што се разлетуваат наоколу, а кои настануваат при различни употреби. Заштита маска од прашина и за дишење мора да ја филтрираат прашина што се создава при работата. Доколку сте додолго време изложени на гласна бучава, тоа може да предизвика губење на слухот.

з) Кај лицата што стојат во близина внимавајте на тоа да се почитува безбедно растојание од вашиот делокруг на

работа. Секој што ќе пристапи во делокругот на работа, мора да носи опрема за лична заштита. Можат да се разлетат парчиња од работниот материјал или од скршен прибор и да предизвикаат повреди, исто така и надвор од директниот делокруг на работа.

с) Фаќајте го електро-алатот само на изолирани површини за држење, додека извршувате работи, кај кои приборот може да погоди сокриени струјни водови или сопствениот кабел за напојување со струја. Контактот со водови што спроведуваат напон, става и метални делови од електро-апаратот под напон и доведува до електричен удар.

и) Кабелот за напојување со струја чувајте го настрана од прибор што се врти. Доколку ја изгубите контролата над електро-алатот, кабелот за напојување со струја може да се исече или да се закачи и вашата рака или вашата дланка да бидат повлечени во приборот што се врти.

ј) Никогаш не оставајте го електро-алатот, додека тој не постигне состојба на комплетно мирување. Електро-алатот што се врти може да дојде во контакт со површината, на којашто се остава, а на тој начин можете да ја изгубите контролата над електро-алатот.

к) Не оставајте го електро-алатот да работи додека го носите. Вашата облека може да биде закачена преку случаен контакт со приборот што се врти, при што тој може да навлезе во вашето тело.

л) Редовно чистете го отворот за проветрување на вашиот електро-алат. Вентилаторот на моторот влече прашина во куќиштето, а големо насобирање на метална прашина може да предизвика електрични опасности.

љ) Не употребувајте го електро-алатот во близина на материјали што горат. Таквите материјали можат да се запалат од искри.

м) Не употребувајте прибор, за којшто се потребни течни средства за ладење. Употребата на вода или на други течни средства за ладење може да доведе до електричен удар.

Повратен удар и референтни безбедносни упатства

Повратниот удар претставува неочекувана реакција како последица на заглавен или блокиран прибор што се врти, како на диск за брусење, подножје за брусење, четка со жица итн. Заглавувањето или блокирањето доведува до неопходно стопирање на ротирачкиот прибор. На тој начин неконтролираниот електро-алат се забрзува во спротивна насока од насоката на вртење на приборот во точката на спојување.

Доколку, на пример, диск за брусење е заглавен или блокиран во материјалот, работ на дискот за брусење што навлегува во материјалот, може да се закачи и на тој начин да дојде до излегување на дискот или да се предизвика повратен удар. Во таков случај дискот за брусење се движи или кон операторот или настрана од него, зависно од насоката на вртење на дискот во точката на спојување.

Повратен удар претставува последица од погрешна или неисправна употреба на електро-алатот. Тој може да биде избегнат со соодветни мерки на претпазливост, како што се опишани подолу.

а) Држете го електро-алатот цврсто и поставете ги вашето тело и вашите раце во позиција, со која ќе можете да дадете отпор на силите од повратниот удар. Секогаш употребувајте ја додатната рачка, доколку постои, за да можете да имате максимална можна контрола над силите од повратниот удар или на моментите на реакција при пуштање во работа. Операторот може да ги контролира силите на повратниот удар и реакционите сили со преземање соодветни мерки на претпазливост.

б) Никогаш не поставувајте ја вашата рака во близина на прибор што се врти. Во случај на повратен удар, приборот може да биде исфрлен врз вашата рака.

в) Избегнувајте го со вашето тело местото, во кое електро-алатот се движи во случај на повратен удар. Повратниот удар го води електро-алатот во спротивна насока

од насоката на движење на дискот за брусење на местото за спојување.

г) Работете особено внимателно кај агли, остри рабови итн. Спречувајте ситуации, во кои приборот се одбива од и заглавува во материјалот за обработка. Кај агли, остри рабови или во случај на одбивање ротирачкиот прибор е склон кон заглавување. Тоа предизвикува губење на контролата или повратен удар.

д) Не употребувајте ланчан диск или забест диск за сечење. Таквиот прибор честопати предизвикува повратен удар или губење на контролата над електро-алатот.

SE 12 180:

Специјални безбедносни упатства за мазене со хартија за шмирглање:

а) Не употребувајте прекудимензионираны листови за мазене. Следете ги податоците на производителот по однос на големината на листот за мазене. Листови за шмирглање што заат надвор од подлогата за мазене, можат да предизвикаат повреди како и блокирање, кинење на листовите или да доведат до повратен удар.

Уредите кои се користат на многу различни локации вклучувајќи и отворен простор мора да бидат поврзани за струја преку направата за поврзување (FI, RCD, PRCD).

Прашината и струготините не смеат да се одстрануваат додека е машината работи.

Вклучувањето на кабелот во струја се прави исклучиво машината е исклучена.

Никогаш не посегнувајте во зоната на опасната работна површина при вклучена машина.

Секогаш користете ја помошната рачка.

Во случај на значителни вибрации или појава на други неправилности веднаш исклучете ја машината со цел да ја најдете причината за нив.

Секогаш користете ги и чувајте ги гладоачките дискови согласно препораките на производителот.

При глодање на метал, се создаваат летечки искри. Погрижете се луѓето да не бидат загрозувани. Поради ризик од пожар, запалливи материји не смеат да бидат лоцирани во близина (зона на искрење). Не користете издув за прав.

Треба да се поведе соодветна грижа за искрите или честичките од камена прашина кои летаат од обработуваното парче да не дојдат во контакт со вас.

Шрафот за штелување мора да биде затегнат пред да се почне со работа со машината.

Парчето кое се обработува мора да се прицврсти доколку не е доволно тешко за да биде стабилно. Никогаш не го насочувајте работното парче кон гладоачкиот диск со рака.

При екстремни услови (пр: фино глодање метали со вретено или гладоачко тркало со вулканизирани влакна), значително загадување може да се насобере однатре на агоната гладоачка. Од безбедносни причини, во вакви услови, внатрешноста мора да биде комплетно исчистена од метални остатоци а прекинувачот на колото на моторот мора да биде сервиски поврзан. Доколку прекинувачот на колото на моторот ја расипе машината мора да биде пратена.

За алатите кои се наменати за опремување со шилесто тркало за дупчење, осигурете се дека жицата во тркалото е доволно долга за да ја прифати должината на вретеното.

СПЕЦИФИЦИРАНИ УСЛОВИ НА УПОТРЕБА

PE 150: Полирката може да биде употребена за полирање лакирани, заштитени, пластични и други мазни површини.

SE 12 180: Шмирглачката може да се користи за шмирглање дрво, пластика и метал. Не го користете овој производ на било кој друг начин освен пропишаниот за нормална употреба.

ОГРАНИЧУВАЊА НА СТАРТНАТА СТРУЈА-КОЛО + МАЗЕН СТАРТ

Стартната струја за машината е неколку пати повисока просечната струја. Ограничувањето на стартната струја произведува почетна струја до таква мера што осигурувачот (16A, спор-...) не се вклучува.

Електронски контролиран мазен старт за безбедно користење кој штити од почетното нагло задвижување на машината.

ЕЛЕКТРОНИКА

Брзината на ротацијата при зголемување на оптоварувањето електронски се прилагодува.

Во случај на подолго преоптоварување брзината се намалува електронски. Машината продолжува да работи полска за да ги олади намотките на моторот. По исклучување и повторно вклучување машината може да се користи со зголемено оптоварување.

ЗАШТИТА ОД ПОВТОРНО ПРИДВИЖУВАЊЕ

Нултиот прекинувач на напонот спречува повторно стартување на машината при дефект на напојувањето. При повторно стартување, исклучете ја машината, па потоа вклучете ја.

ЕУ-ДЕКЛАРАЦИЈА ЗА СООБРАЗНОСТ

О своја сопствена одговорност изјавуваме дека под „Технички податоци, опишаниот производ е во склад со сите релевантни прописи од регулативата 2011/65/EU (RoHS), 2006/42/EC, 2004/108/EC (до 19 април 2016), 2014/30/EU (аб 20 април 2016) и следните хармонизирачки нормативни документи:

EN 60745-1:2009+A11:2010
EN 60745-2-3:2011+A2:2013+A11:2014+A12:2014+A13:2015
EN 55014-1:2006+A1:2009+A2:2011
EN 55014-2:1997+A1:2001+A2:2008
EN 61000-3-2:2014
EN 61000-3-3:2013
EN 50581:2012

Winnenden, 2016-02-08



Alexander Krug
Managing Director



Ополномоштен за составување на техничката документација.

Techtronic Industries GmbH
Max-Eyth-Straße 10
71364 Winnenden
Germany

ГЛАВНИ ВРСКИ

Да се спои само за една фаза АС коло и само на главниот напон наведен на плочката. Можно е исто така и поврзување на приклучок без заземување доколку изведбата соодветствува на безбедност од 2 класа.

ОДРЖУВАЊЕ

Вентилациските отвори на машината мора да бидат комплетно отворени постојано.

Користете само AEG додатоци и резервни делови. Доколку некои од компонентите кои не се опишани треба да бидат заменети. Ве молиме контактирајте ги сервисните агенти на AEG (консултирајте ја листата на адреси).

При потреба може да се побара експлозионен цртеж на апаратот со наведување на машинскиот тип и шестоцифрениот број на табличката со учиниот или во Вашата корисничка служба или директно кај Techtronic Industries GmbH, Max-Eyth-Straße 10, 71364 Winnenden, Германија.

СИМБОЛИ



ВНИМАНИЕ! ПРЕДУПРЕДУВАЊЕ!
ОПАСНОСТ!



Секогаш кога преземате активности врз машината исклучете го кабелот од струјата.



Ве молиме пред да ја стартувате машината обрнете внимание на упатствата за употреба.



Секогаш при користење на машината носете ракавици.



Носете ракавици!



Не употребувајте сила.



Дополнителна опрема - Не е вклучена во стандардната, а достапна е како додаток.



Електричните апарати не смеат да се фрлат заедно со домашниот отпад. Електричните и електронските апарати треба да се собираат одделно и да се однесат во соодветниот погон заради нивно фрлање во склад со начелата за заштита на околината.

Информирајте се кај Вашите местни служби или кај специјализираниот трговски претставник, каде има такви погони за рециклажа и собирни станици.



Електрично орудие од заштитната категорија II. Електрично орудие чијашто заштита од електричен удар не зависи само од основната изолација туку и од тоа дали ќе се применат дополнителните заштитни мерки како што се двоструките изолации или појанчаната изолација. Не постои никаква направа за приклучување на некој заштитен вод.



CE-знак



Regulatory Compliance Mark (RCM). Производителот ги исполнува важечките прописи.



Национален конформитетски знак за Украина



EurAsian (Евроазиски) знак на конформитет.

ТЕХНІЧНІ ХАРАКТЕРИСТИКИ	Полірувальна машина	PE 150	SE 12-180
Номер виробу.....	4552 16 01.....	4552 20 01.....000001-999999
Номинальна споживана потужність.....	1200 W.....	1200 W.....
Віддавана потужність.....	600 W.....	600 W.....
Номинальна кількість обертів.....	900-2500 min ⁻¹	1800-4800 min ⁻¹
Макс. номінальна кількість обертів.....	4700 min ⁻¹	9000 min ⁻¹
Ø шліфувального диску.....	150 mm.....	180 mm.....
Різьба шпинделя.....	M 14.....	M 14.....
Вага згідно з процедурою EPTA 01/2003.....	2,1 kg.....	2,5 kg.....

Шум / інформація про вібрацію

Вимірні значення визначені згідно з EN 60 745.

Рівень шуму "А" приладу становить в типовому випадку:

Рівень звукового тиску (похибка K = 3 дБ(A))..... 82 dB(A)..... 82 dB(A)

Рівень звукової потужності (похибка K = 3 дБ(A))..... 93 dB(A)..... 93 dB(A)

Використовувати засоби захисту органів слуху!

Сумарні значення вібрації (векторна сума трьох напрямків), встановлені згідно з EN 60745.

Полірування: Значення вібрації a_h..... 3 m/s²..... - m/s²

похибка K = 1,5 m/s²..... - m/s²

Шліфування з наждачним папером: Значення вібрації a_h..... 3,3 m/s²

похибка K = 1,5 m/s²..... 1,5 m/s²

ПОПЕРЕДЖЕННЯ!

Рівень вібрації, вказаний в цій інструкції, вимірювався згідно з методом вимірювання, нормованим стандартом EN 60745, і може використовуватися для порівняння електроінструментів. Він призначений також для попередньої оцінки навантаження від вібрації.

Вказаний рівень вібрації відповідає основним сферам використання електроінструменту. Але якщо електроінструмент використовується для іншої мети, з іншими вставними інструментами або при недостатньому технічному обслуговуванні, рівень вібрації може бути іншим. Це може значно підвищити навантаження від вібрації за весь період роботи.

Для точної оцінки навантаження від вібрації необхідно також враховувати час, коли прилад вимкнений або увімкнений, але фактично не використовується. Це може значно зменшити навантаження від вібрації за весь період роботи.

Визначте додаткові заходи безпеки для захисту оператора від дії вібрації, наприклад: Технічне обслуговування електроінструменту та вставних інструментів, зігрівання рук, організація робочих процесів.

▲ ПОПЕРЕДЖЕННЯ! Прочитайте всі вказівки з техніки безпеки та інструкції.

Упущення при дотриманні вказівок з техніки безпеки та інструкції можуть призвести до ураження електричним струмом, пожежі та/або тяжких травм.

Зберігайте всі вказівки з техніки безпеки та інструкції на майбутнє.

ВКАЗІВКИ З ТЕХНІКИ БЕЗПЕКИ ДЛЯ ПОЛІРУВАЛЬНОЇ ШЛІФУВАЛЬНОЇ МАШИНИ

Загальні вказівки з техніки безпеки при поліруванні та шліфуванні з наждачним папером.

Цей електроінструмент слід використовувати як полірувальну та шліфувальну машину з наждачним папером. Дотримуйтеся усіх вказівок з техніки безпеки, інструкції, зображень та даних, які ви отримаєте разом з цим електроінструментом. Недотримання наведених далі інструкцій може спричинити ураження електричним струмом, пожежу та/або тяжкі травми.

Цей електроінструмент не підходить для шліфування з наждачним папером (лише PE 150), полірування (лише SE 12-180), відрізання шліфувальним диском та чорного шліфування, а також для роботи з дрітними щітками. Використання для цілей, не передбачених для цього електроінструменту, може спричинити небезпеку та травми.

Не використовуйте комплектуючі, які не передбачені або не рекомендовані виробником спеціально для цього електроінструменту.

Той факт, що комплектуючі вдається закріпити в електроінструменті, ще не гарантує їх безпечно використання.

Допустима кількість обертів вставного інструменту має бути не меншою, ніж максимальна кількість обертів, вказана на електроінструменті.

Комплектуючі, що обертаються швидше, ніж дозволено, можуть зламатися і відлетіти.

Зовнішній діаметр та товщина вставного інструмента повинні відповідати даним вашого електроінструмента.

Неправильний розмір вставних інструментів може бути причиною того, що вони недостатньо закриті захисними пристроями або їх важко контролювати.

Вставні інструменти, фланці, шліфувальні тарілчасті диски або інші комплектуючі повинні точно підходити до шліфувального шпинделя вашого електроінструменту. Вставні інструменти, що не точно підходять до шліфувального шпинделя електроінструменту, обертаються нерівномірно, дуже сильно вібрують та можуть призвести до втрати контролю.

Не використовуйте пошкоджені вставні інструменти. Перед кожним використанням перевіряйте вставні інструменти, наприклад, шліфувальні диски, на наявність сколів та тріщин, шліфувальні тарілчасті диски на наявність тріщин, ознаки зносу або сильного стирання, дрітні щітки на наявність незакріплення або поламаних дротів. Якщо електроінструмент або вставний інструмент вправ, перевірте, чи він не пошкоджений, або використовуйте непошкоджений вставний інструмент. Якщо ви перевірили та встановили вставний інструмент, вам та особам, які знаходяться поблизу, необхідно триматися поза зоною дії вставного інструменту, що обертається, і нехай електроінструмент одну хвилину працює з максимальною частотою обертів. Пошкоджені вставні інструменти у більшості випадків ламаються під час такого випробування.

Носити індивідуальні засоби захисту. Залежно від виду робіт користуватися маскою для захисту всього обличчя, засобом для захисту очей або захисними окулярами. Якщо необхідно, одягніть маску для захисту від пилю, засоби захисту органів слуху, захисні рукавиці або спеціальний фартух, який затримує малі частинки від шліфування та часточки матеріалу.

Необхідно захищати очі від часточок та деталей, що можуть відлітати під час різних видів застосування. Фільтруюча захисна маска або маска для захисту від пилю необхідні для фільтрації пилю, що виникає під час роботи. Якщо на органі слуху тривалий час діє гучний шум, це може призвести до втрати слуху.

Зверніть увагу, що інші особи мають дотримуватися безпечної відстані від вашої робочої області. Кожний, хто входить в робочу область, повинен одягати індивідуальні засоби захисту. Частинки заготовки або уламки вставних інструментів можуть відлітати та спричинити травми навіть за межами безпосередньої робочої області.

Під час виконання робіт тримайте електроінструмент за ізольовані поверхні рукояткок, якщо вставний інструмент може натрапити на приховані електричні лінії або власний мережевий кабель.

Контакт з лінією під напругою подає напругу також на металеві деталі електроінструмента та призводить до ураження електричним струмом.

Тримайте мережевий кабель подалі від вставних інструментів, які обертаються.

Якщо ви втратите контроль над електроінструментом, він може розрізати або захопити мережевий кабель, або ваші руки потраплять під вставний інструмент, який обертається.

Ніколи не кладіть електроінструмент, доки вставний інструмент не зупиниться повністю. Вставний інструмент, який обертається, може зіткнутися із поверхнею стійки, що може призвести до втрати контролю над електроінструментом.

Не вмикайте електроінструмент під час перенесення. Через випадкове торкання вставний інструмент, який обертається, може зачепити ваш одяг, а також врізатися в тіло.

Регулярно чистите вентиляційні отвори електроінструменту. Вентилятор двигуна втягує в корпус пил, велике скупчення металевого пилю може призводити до небезпеки, пов'язаної з електричними приладами.

Не користуйтеся електроінструментом поблизу горючих матеріалів.

Іскри можуть призвести до займання матеріалів.

Не використовувати вставні інструменти, які вимагають рідких засобів для охолодження.

Використання води або інших рідких охолоджувальних засобів може призвести до ураження електричним струмом.

Віддача та відповідні вказівки з техніки безпеки

Віддача - це раптова реакція внаслідок заклинювання або блокування вставного інструмента, який обертається. Заклинювання або блокування веде до раптової зупинки вставного інструмента, який обертається. Внаслідок цього неконтрольований електроінструмент отримує прискорення в напрямку, протилежному напрямку обертання вставного інструмента в точці блокування.

Коли, наприклад, шліфувальний диск заклинюється або блокується в заготовці, край шліфувального диска, який занурений в заготовку, може зачепитися і зірвати шліфувальний диск або спричинити віддачу. Шліфувальний диск після цього рухається в напрямку до оператора або від нього, залежно від напрямку обертання диска в точці блокування. Шліфувальні диски можуть в цьому випадку також зламатися.

Віддача є наслідком неправильного або помилкового використання пилю. Її можна попередити відповідними запобіжними заходами, які описано нижче.

Міцно тримайте електроінструмент, тіло та руки мають бути в такому положенні, при якому вони можуть компенсувати сили віддачі. Завжди використовуйте додаткову рукоятку, якщо вона є, щоб в максимальній мірі контролювати сили віддачі або зворотні моменти при розгоні.

Користувач може відповідними запобіжними заходами управляти віддачею та зворотними силами.

Ніколи не наближати руки до вставних інструментів, які обертаються.

Вставний інструмент може при віддачі вирватися з рук.

Триматися за межі ділянки, куди рухається електроінструмент при віддачі.

Віддача спрямовує електроінструмент в напрямку, протилежному напрямку руху шліфувального диска в місці блокування.

Особливо обережно слід працювати на ділянках кутів, гострих кромках та ін. Запобігайте відскакуванням від заготовки та заклинюванню вставних інструментів.

Вставний інструмент, який обертається, може заклинюватися на

кутах, гострих кромках або при відскоках. Це призводить до втрати контролю та до віддачі.

Не використовувати ланцюгове або зубчасте пилюкове полотно. Такі вставні інструменти часто спричиняють віддачу або втрату контролю над електроінструментом.

SE 12 180:

Особливі вказівки з техніки безпеки для шліфування з наждачним папером:

Не використовувати шліфувальні диски занадто великих розмірів, виконувати вказівки виробника щодо розміру шліфувальних дисків.

Шліфувальні диски, що виступають за край шліфувального тарілчастого диску, можуть спричинити травми, а також приводити до блокування, розриву диску або до віддачі.

SE 12 180:

Спеціальні вказівки з техніки безпеки при поліруванні

Не допускайте ослаблення кріплення деталей полірувального чохла, зокрема, шнурів для кріплення. Укладіть або вкоротіть шнури для кріплення. В шнури, що висять або обертаються, можуть потрапити ваші пальці, або вони можуть заплутатися навколо заготовки.

Штепсельні розетки за межами приміщень та на вологих ділянках повинні бути оснащені автоматичним запобіжним вимикачем, який спрацьовує при появі струму витоку (FI, RCD, PRCD). Для цього необхідні монтажні інструкції для вашої електричної системи. Майте це на увазі при користуванні нашим приладом.

Не можна видаляти стружку або уламки, коли машина працює.

Під'єднати машину до штепсельної розетки тільки в вимкненому стані.

Частини тіла не повинні потрапляти в небезпечну область машини, коли вона працює.

Завжди користуйтеся додатковою рукояткою.

Негайно вимкніть прилад, якщо виникає помітна вібрація або інші небажані явища. Перевірте машину, щоб встановити причину.

Шліфувальні диски використовувати та зберігати завжди згідно з інструкціями виробника.

При шліфуванні металу виникає іскріння. Звертати увагу на те, щоб не створювати небезпеку для інших людей. Якщо є небезпека загоряння, на ділянці іскріння не повинні знаходитися горючі матеріали. Не використовувати засоби для відсмоктування пилю.

Тримати прилад так, щоб іскри та пил від шліфування відлітали в напрямку від тіла.

Перед введенням приладу в дію фланцева гайка має бути добре затягнутою.

Оброблювану заготовку необхідно міцно закріпити, якщо вона не тримається завжди власній вазі. Ніколи не весті заготовку рукою до диска.

При екстремальних умовах використання (наприклад, при чистовому шліфуванні металів опорними тарілками та шліфувальними дисками з вулканізованою фіброю) всередині кутового шліфувального машини може утворитися сильне забруднення. За таких умов використання з міркувань безпеки необхідно провести ретельне чищення внутрішньої частини від металевих відкладень та обов'язково передключити запобіжний вимикач, що діє при появі струму витоку (FI-вимикач). Після спрацьовування FI-вимикача машину необхідно віддати в ремонт.

При використанні шліфувальних інструментів з нарізною вставкою переконайтеся в тому, що різьба достатньо довга для довжини шпинделя.

ВИКОРИСТАННЯ ЗА ПРИЗНАЧЕННЯМ

PE 150: Полірувальна машина може використовуватися для полірування лаків, покриттів, полімерних матеріалів та інших гладких поверхонь.

SE 12 180: Шліфувальна/полірувальна машина може використовуватися для шліфування та полірування лаків, покриттів, полімерних матеріалів та інших гладких поверхонь.

Цей прилад можна використовувати тільки за призначенням так, як вказано в цьому документі.

ОБМЕЖЕННЯ ПУСКОВОГО СТРУМУ + ПЛАВНИЙ ПУСК

Пусковий струм машини в кілька разів перевищує номінальний струм. Через обмеження пускового струму пусковий струм зменшується настільки, що запобіжник (16 А інерційний) не спрацює.

Електронний плавний пуск для безпечної роботи запобігає при увімкненні різкому розгону машини.

ЕЛЕКТРОНІКА

Електроніка коригує кількість обертів при підвищенні навантаження.

При тривалому перевантаженні електроніка перемикає двигун на знижену кількість обертів. Машина повільно працює далі для охолодження обмотки двигуна. Після вимкнення та повторного увімкнення можна продовжувати роботу з машиною в номінальному діапазоні навантаження.

ЗАХИСТ ВІД ПОВТОРНОГО ЗАПУСКУ

Автоматичний вимикач при зниженні напруги запобігає повторному запуску машини після збою електроживлення. При відновленні роботи вимкнута та знов увімкнута машина.

СЕРТИФІКАТ ВІДПОВІДНОСТІ ВИМОГАМ ЄС

Ми заявляємо на власну відповідальність, що виріб, описаний в "Технічних даних", відповідає всім застосовним положенням директиви 2011/65/EU (RoHS), 2006/42/EC, 2004/108/EC (до 19 квітня 2016), 2014/30/EU (від 20 квітня 2016) та наступним гармонізованим нормативним документам:

EN 60745-1:2009+A11:2010
EN 60745-2-3:2011+A2:2013+A11:2014+A12:2014+A13:2015
EN 55014-1:2006+A1:2009+A2:2011
EN 55014-2:1997+A1:2001+A2:2008
EN 61000-3-2:2014
EN 61000-3-3:2013
EN 50581:2012

Winnenden, 2016-02-08

Alexander Krug
Managing Director



Уповноважений із складання технічної документації.

Techtronic Industries GmbH
Max-Eyth-Straße 10
71364 Winnenden
Germany

ПІДКЛЮЧЕННЯ ДО МЕРЕЖІ

Підключати лише до однофазного змінного струму і напруги мережі, які вказані на фірмовій табличці з паспортними даними. Можливе підключення також до штепсельних розеток без захисного контакту, адже конструкція має клас захисту II.

ОБСЛУГОВУВАННЯ

Завжди підтримувати чистоту вентиляційних отворів.

Використовувати комплектуючі та запчастини тільки від AEG. Деталі, заміна яких не описується, замінювати тільки в відділі обслуговування клієнтів AEG (зверніть увагу на брошуру "Гарантія / адреси сервісних центрів").

У разі необхідності можна запросити креслення з зображенням вузлів машини в перспективному вигляді, для цього потрібно звернутися в ваш відділ обслуговування клієнтів або безпосередньо в Techtronic Industries GmbH, Max-Eyth-Straße 10, 71364 Winnenden, Німеччина, та вказати тип машини та шестизначний номер на фірмовій табличці з даними машини.

СИМВОЛИ



УВАГА! ПОПЕРЕДЖЕННЯ! НЕБЕЗПЕЧНО!



Перед будь-якими роботами на машині витягнути штекер із штепсельної розетки.



Уважно прочитайте інструкцію з експлуатації перед введенням приладу в дію.



Під час роботи з машиною завжди носити захисні окуляри.



Носити захисні рукавиці!



Не застосовувати силу.



Комплектуючі - не входять в обсяг постачання, рекомендовані доповнення з програми комплектуючих.



Електричні прилади не можна утилізувати з побутовими відходами. Електричні та електронні прилади необхідно збирати окремо та здавати в спеціалізовані підприємства для утилізації, що не шкодить навколишньому середовищу. Зверніться до місцевих органів або до вашого дилера, щоб отримати адреси пунктів вторинної переробки та пунктів прийому.



Електроінструмент класу захисту II. Електроінструмент, в якому захист від враження електричним струмом залежить не лише від базової ізоляції, але й від використовуваних додаткових засобів захисту, таких як подвійна ізоляція або посилена ізоляція. Немає пристроїв для підключення захисного з'єднання.



Знак CE



Знак відповідності встановленим нормам (RCM). Продукт відповідає діючим нормам.



Національний знак відповідності для України



Знак відповідності для Європи та Азії EurAsian

زومرلا

تنبيه! تحذير! خطر!



افصل دائما القابس عن المقيس قبل تنفيذ أي عمل بالجهاز.



افصل دائما القابس عن المقيس قبل تنفيذ أي عمل بالجهاز.



يرجى قراءة التعليمات بعناية قبل بدء تشغيل الجهاز.



ارتد دائما نظارات الوقاية عند استخدام الجهاز.



ارتد القفازات!



الملحق - ليس مدرجا كمعدة قياسية، متوفر كملحق.



يحظر التخلص من الأجهزة الكهربائية في القمامة المنزلية. يجب جمع الأجهزة الكهربائية والإلكترونية منفصلة وتسليمها للتخلص منها بشكل لا يضر بالبيئة لدى شركة إعادة الاستغلال. الرجاء الاستفسار لدى الهيئات المحلية أو لدى التجار المتخصصين عن مواقع إعادة الاستغلال ومواقع الجمع.



أداة كهربائية ذات درجة حماية 2 أداة كهربائية لا تتوقف الحماية فيها من الصعق الكهربائي ليس فقط على العزل الأساسي، بل أيضاً على إجراءات الحماية الإضافية، مثل العزل المزدوج أو العزل المقوى. ليس هناك تجهيزات لتوصيل تاريس وافي



علامة المطابقة الأوروبية



علامة الامتثال للوائح (RCM). المنتج مطابق لمتطلبات اللائحة.



العلامة الوطنية للمطابقة الأوكرانية



علامة المطابقة الأوروبية الآسيوية

الصيانة

يجب أن تكون فتحات تهوية الجهاز نظيفة طوال الوقت.

استخدم ملحقات AEG وقطع الغيار التابعة لها فقط. إذا كانت المكونات التي يجب تغييرها غير مذكورة، يرجى الاتصال بأحد عملاء صيانة AEG (انظر قائمة عناوين الضمان/الصيانة الخاصة بنا).

عند الحاجة يمكن طلب رمز انفجار الجهاز بعد ذكر طراز الآلة والرقم السداسي المذكور على بطاقة طاقة الآلة لدى جهة خدمة العملاء أو مباشرة لدى شركة Techtronic Industries GmbH, Max-Eyth-Straße 10, 71364 Winnenden, ألمانيا

البيانات الفنية	ملمع / صنفرة	PE 150	SE 12-180
إنتاج عدد.....	4552 16 01.....	4552 20 01.....	000001-999999.....
النخل المقدر.....	W 1200.....	W 1200.....	W 600.....
الخرج.....	min ⁻¹ 1800-4800.....	min ⁻¹ 900-2500.....	min ⁻¹ 4700.....
الحد الأقصى للسرعة المقدره.....	mm 180.....	mm 150.....	M 14.....
الحد الأقصى للسرعة المقدره.....	M 14.....	M 14.....	kg 2,5.....
قطر اسطوانة الجلخ.....	01/2003 رقم EPTA.....		

معلومات الضوضاء/الذبذبات

القيم التي تم قياسها محددة وفقا للمعايير الأوروبية EN 60 745 مستويات ضوضاء الجهاز، ترجيحاً بشكل نمطي كالتالي:
 مستوى ضغط الصوت (الارتياح في القياس = 3 ديسيبل ((
 مستوى شدة الصوت (الارتياح في القياس = 3 ديسيبل ((
 ارتد وأقيات الأذن!

قيم الذبذبات الإجمالي (مجموع الكميات الموجهة في المحاور الثلاثة) محددة وفقاً للمعايير الأوروبية 60745 EN.

الارتياح في القياس	الارتياح في القياس
(a _w)	(a _w)
المنفردة: قيمة انبعاث الذبذبات (a _w)	المنفردة: قيمة انبعاث الذبذبات (a _w)
الارتياح في القياس	الارتياح في القياس
تحذير!	تحذير!

تم قياس مستوى انبعاث الذبذبات الموجود بوثيقة المعلومات هذه وفقاً للاختبار القياسي وفقاً للمعايير الأوروبية EN 60745 ويمكن استخدامه لمقارنة جهاز بغيره. كما يمكن استخدامه لعرض تقييم تمهيدي.

يمثل مستوى انبعاث الذبذبات المعلن عنه تطبيقات الجهاز الرئيسية. بالرغم من ذلك، فإنه إذا ما تم استخدام الجهاز لتطبيقات مختلفة، بملحقات مختلفة أو لم يتم المحافظة عليه، فقد يختلف انبعاث الذبذبات. قد يزيد ذلك بصورة كبيرة من مستوى التعرض للذبذبات طوال فترة العمل الإجمالية.

يجب الوضع في الاعتبار عند تقدير مستوى التعرض للذبذبات مرات إيقاف الجهاز أو تشغيله لكن دون استخدامه في القياس بعممة. فقد يقلل ذلك بصورة كبيرة من مستوى التعرض للذبذبات طوال فترة العمل الإجمالية.

تعرف على معايير السلامة الإضافية لحماية المشغل من آثار الذبذبات مثل: صيانة الجهاز والملحقات، الحفاظ على دفة الأيدي، وتنظيم نماذج العمل.

تحذير!

اقرأ جميع تحذيرات السلامة وجميع التعليمات، بما فيها. قد يؤدي الفشل في مراعاة التحذيرات والتعليمات إلى التعرض للإصابة بصدمة كهربية أو الحرق و/أو إصابة خطيرة. احتفظ بجميع التنبيهات والتعليمات للرجوع إليها مستقبلاً.

تعليمات السلامة

تحذيرات السلامة الشائعة للتملص والصنفرة:

أ) تم تصميم هذه الآلة الكهربائية لتعمل كصنفرة أو ملمع. اقرأ جميع تحذيرات السلامة، والتعليمات، والصور التوضيحية والمواصفات المتوفرة مع هذه الأداة. قد يؤدي الفشل في مراعاة التعليمات المدرجة أدناه إلى التعرض للإصابة بصدمة كهربية أو الحرق و/أو إصابة خطيرة.

لا ينصح بإجراء عمليات مثل الصنفرة (PE150 فقط)، و التلميع (SE 12-180 فقط)، والكشط، والجلخ الحاد والعمل باستخدام الفرشاة السلكية باستخدام هذه الآلة الكهربائية. قد تسبب العمليات التي لم يتم تصميم الآلة الكهربائية لها في مخاطر كما قد تسبب التعرض للإصابة الشخصية.

لا تستخدم الملحقات غير المصممة لهذه الآلة والتي لم يوصى بها المصنّع. نظراً لأنه يمكن تركيب أحد الملحقات بالآلة الكهربائية الخاصة بك، فإنه لا يمكن ضمان التشغيل الآمن.

يتعين أن تساوي السرعة المقدرّة لقطع الملحقات على الأقلّ الحد الأعلى للسرعة المحددة في الآلة الكهربائية. فقد يؤدي تشغيل الملحقات بسرعة أعلى من السرعة المقدرّة لها إلى كسرها أو تفتتها وتناثر شظاياها.

يتعين أن يكون القطر الخارجي للقطعة الملحقة وسمكها ضمن السعة المصنفة للآلة الخاصة بك. يؤدي حجم القطعة الملحقة غير المناسب إلى الإي عدم وجود حماية كافية لها إضافة إلى صعوبة التحكم.

قلووظات أجزاء المستلزمات يجب أن تتطابق مع قلواوظ محور التوليج. في حالة الأجزاء المستلزمات التي سيتم بها إجراء وصلة اتصال قلواوظ، يجب أن يكون النقب الخاص بأداة التزكيب في المستلزم متطابق مع قطر قلواوظ التحديد. أجزاء المستلزمات التي لا تتناسب مع أداة تركيب الجهاز، تدور بشكل غير منتظم وتتذبذب بشدة أكثر من اللازم، ويمكن أن تؤدي إلى فقدان التحكم في الأداة.

نظف فتحات تهوية الآلة دورياً

تستعمل مروحة المحرك على سحب الغبار إلى داخل المبيت مما يؤدي إلى تراكم براءة المعادن مسبباً مخاطر كهربائية.

لا تُشغّل الآلة بالقرب من المواد القابلة للاشتعال.

فقد يؤدي الشرر إلى إشعال تلك المواد.

لا تستخدم الملحقات التي تتطلب تبريد باستخدام سائل التبريد.

فقد يؤدي استخدام الماء أو سائل التبريد إلى حدوث صدمة أو صدمة كهربائية.

الارتداد والتحذيرات المتعلقة به

الارتداد هو رد الفعل المفاجئ أو إعاقة قرص التدوير أو حشية الدعم أو الفرشاة أو أي ملحقات أخرى. يؤدي الضغط أو إعاقة الحركة إلى التوقف المفاجئ للملحقات الدوّارة مما يؤدي بدوره إلى فقدان السيطرة على الآلة وانفعاها بالاتجاه المعاكس لحركة الملحقات الدوّارة عند إعاقتها.

على سبيل المثال، إذا ما عقيقت حركة العجلة الكاشطة أو تعرضت للضغط بواسطة القطعة التي يتم العمل عليها، فإن حافة القرص الذي يدخل في نقطة الضغط يمكن أن يحفر في سطح المادة مما يجعل القرص يتدفع للخارج أو يتحرك خارجاً. قد يتدفع القرص باتجاه المشغل أو بعيداً عنه، تبعاً لاتجاه حركة القرص في نقطة الضغط. قد تنكسر أقرص الكشط في ظل تلك الظروف.

ينتج الارتداد عن الاستخدام الخاطئ للمنتشر و/أو إجراءات أو حالات التشغيل غير الصحيحة ويمكن تجنب هذا الارتداد باتخاذ التدابير الموضحة أدناه.

اعمل على إمسك الآلة الكهربائية بإحكام ووظف جسك وذراعك لمساعدتك على مقاومة قوى الارتداد. استخدم دائماً مقبض إضافي، إن وجد، للحصول على أقصى مستوى من التحكم في الارتداد أو رد فعل عزم الدوران عند بدء التشغيل. يستطيع المشغل التحكم في قوى رد فعل العزم أو الارتداد، إذا ما اتخذ التدابير اللازمة.

لا تضع يدك أبداً بالقرب من الملحقات الدوّارة.

فقد ترتد القطعة الملمّعة على يدك.

لا تضع جسك في منطقة حيث يمكن أن تتحرك الآلة إذا ما حدث ارتداد.

سيعمل الارتداد على تحريك الآلة بالاتجاه المعاكس لاتجاه حركة العجلة عند نقطة الإعاقة.

توخ الحذر الشديد عند العمل في الزوايا والحواف الحادة وغيرها. حاول تجنب ارتداد أو إعاقة الملحقات.

حتمل مع العمل في الزوايا أو الحواف الحادة أو الارتداد حدوث إعاقة للقطعة الدوّارة مما يسبب فقدان السيطرة والارتداد.

لا تترك سلسلة منشار أو شفرة تحت الخشب أو شفرة منشار مستنّة.

فتمثل هذه الشفرات تؤدي إلى حدوث ارتدادات مفاجئة وفقدان السيطرة على الآلة الكهربائية.

SE 12 80:

تحذيرات السلامة المحددة لعمليات الصنفرة:

لا تفرط في استخدام ورق أسطوانة الصنفرة كبير الحجم.

اتبع تعليمات الصننع، عند اختيار ورق الصنفرة. قد يسبب امتداد ورق الصنفرة الكبير خلف بطانة الصنفرة الإصابة بجروح كما قد يؤدي إلى تشقق أو تمزق الاسطوانة أو تُحدث ارتداداً.

PE 150:

تحذيرات السلامة المحددة لعمليات الصقل:

أ) لا تسمح بدوران أي جزء من قلنسوة الصقل أو أوتارها الملحقة بحرية إذا ما كانت غير ثابتة. قم بشي أو قص أي أوتار ملحقة غير ثابتة. من الممكن أن تضر الأوتار الملحقة غير الثابتة والدوّارة بأصابعك أو تُحضر في قطعة العمل.

يجب توصيل الأجهزة التي يتم استخدامها في مواقع مختلفة بما في ذلك الأجهزة التي يتم استخدامها في الهواء الطلق بواسطة جهاز التيار المتخلف (FI و RCD) و (PRCD) والتي يصل التيار بها 10 مل أمبير أو أقل.

لا يجب إزالة النشارة والشظايا أثناء تشغيل الآلة.

يتم توصيل القابض فقط عندما تكون الآلة مطفأة.

لا تصل أبداً إلى منطقة الخطر لآلة عندما تكون قيد التشغيل.

استخدم دائماً المقبض الإضافي.

قم بإيقاف تشغيل الماكينة مباشرة في حالة حدوث اهتزازات شديدة أو غير ذلك من أعراض التشغيل. افحص الماكينة للتعرف على السبب.

قم دائماً باستخدام وتخزين اسطوانات الجلخ وفقاً لتعليمات الشركة المصنّعة.

عند قطع المعادن، يتطاير بعض الشرر. تأكد من عدم تعرض أي شخص للخطر. نظراً لإحتمال التعرض لخطر الحريق، لا يجب وجود أي مواد احتراق بالقرب من (منطقة الشرر المتطاير). لا تستخدم نظام استخلاص الأتربة.

يجب توخي الحذر حتى لا يلحق بك أي شرر أو غبار الصنفرة المتطاير من قطعة العمل.

يجب إحكام ربط صامولة الضبط قبل بدء تشغيل الماكينة.

قطعة التصنيع التي يجب معالجتها يجب أن تكون مثبّطة، طالما أنها لن تكون ثابتة من خلال وزنها. لا تمسك قطعة التصنيع باليد معالجتها بالقرص.

في الظروف القاسية (مثل، المعادن سهلة التوليج بقرص التوليج الغير المصلد والمخلّطة)، قد يحدث تولّد كبير داخل الجالّخة. لأسباب تتعلق بالسلامة، يجب تنظيف داخل الجالّخة تامةً من الرواسب المعدنية في مثل هذه الظروف ويجب توصيل قاطع دائرة بالموتور في ترتيب متسلسل. إذا توقّف قاطع الدائرة بالموتور، يجب أن يتم إرسال الآلة لإصلاحها.

بالنسبة للملحقات العدة للثبتيّت مع قرص ثقب ملولبة، يجب التأكد من أن الأسنان المزودة بالقرص طويلة بما يكفي لقبول طول محور الدوران.

شروط الاستخدام المحددة

يمكن استخدام آلة التلمّع لتلميع اللّك والطلاء والبيلاستيك وغيرها من الأسطح للمساء PE 150:

يمكن استخدام ماكينة الصنفرة لصنفرة الخشب والبيلاستيك والمعادن SE 12 180:

لا تستخدم هذا المنتج بأي طريقة أخرى غير مصرح بها للاستخدام العادي.

محدد تيار التشغيل + تشغيل هايد

يكون تيار تشغيل الماكينة أكبر عدة مرات من التيار المقتر. يقوم محدد تيار التشغيل بتقليل تيار التشغيل إلى الحد الذي لا يتوقف عنده المصهر (A 16)، احتراق بطيء).

يمنع التشغيل الإلكتروني السلس الخاص بالاستخدام الآمن الزيادة الاعشائية للآلة.

الإلكترونيات

يتم تعديل سرعة الدوران إلكترونياً عندما يزداد الحمل.

في حالة فترة زيادة الحمل يتم تخفيض السرعة إلكترونياً. يستمر تشغيل الماكينة ببطء وذلك لتبريد ملف المحرك، يمكن استخدام الآلة بعد إطفائها وتشغيلها بحمل مقن.

انقطاع تيار إعادة التشغيل

يتم تجهيز الآلات المزودة بمتاح قابل للقلل بألية قطع التيار عن طريق مفتاح إعادة التشغيل. ويعمل ذلك على منع الآلة من إعادة التشغيل ذاتياً بعد انقطاع الطاقة. عند استئناف العمل مرة أخرى، ووقف الآلة ثم أعد تشغيلها مجدداً.

إعلان المطابقة - الاتحاد الأوروبي

نُقر بمسؤوليتنا الكاملة عن مطابقة المنتج الموصوف تحت بند "البيانات الفنية" للشرط ذات الصلة بتوجيهات معايير الاتحاد الأوروبي EU/2011/65 (اختبار القيود على استخدام المواد الخطيرة RoHS) و EC/2004/108 (مكرر 19 أبريل)، EU/2014/30 (أب 20 أبريل) و EC/2006/42، وتم استخدام المعايير المتوافقة التالية:

EN 60745-1:2009+A11:2010
 EN 60745-2-3:2011+A2:2013+A11:2014+A12:2014+A13:2015
 EN 55014-1:2006+A1:2009+A2:2011
 EN 55014-2:1997+A1:2001+A2:2008
 EN 61000-3-2:2014
 EN 61000-3-3:2013
 EN 50581:2012

Winnenden, 2016-02-08


 Alexander Krug
 Managing Director
 معتمدة للمطابقة مع الملف الفني
 Techtronic Industries GmbH
 Max-Eyth-Straße 10
 Winnenden 71364
 Germany

توصيل الموصلات الرئيسية

قم بالتوصيل بتيار متردد أحادي الطور وبنظام الجهد الكهربائي المحدد على لوحة أعلاّ التشغيل. افحص الماكينة للتعرف على السبب. مع معايير سلامة الفئة الثانية لحماية الأجهزة الكهربائية.

AEG

POWERTOOLS

www.aeg-powertools.eu

(05.17)
4931 4147 70



Techtronic Industries GmbH
Max-Eyth-Straße 10
71364 Winnenden
Germany