



PHONES

(044) 360-7-130
 (050) 336-0-130
 (063) 788-0-130
 (067) 233-0-130
 (068) 282-0-130

130 Internet store of autogoods

COM.UA



ICQ
 294-0-130
 597-0-130

SKYPE
 km-130

CAR RECEIVERS — Receivers • Media receivers and stations • Native receivers • CD/DVD changers • FM-modulators/USB adapters • Flash memory • Facia plates and adapters • Antennas • Accessories |
 CAR AUDIO — Car audio speakers • Amplifiers • Subwoofers • Processors • Crossovers • Headphones • Accessories | TRIP COMPUTERS — Universal computers • Model computers • Accessories |
 GPS NAVIGATORS — Portable GPS • Built-in GPS • GPS modules • GPS trackers • Antennas for GPS navigators • Accessories | VIDEO — DVR • TV sets and monitors • Car TV tuners • Cameras • Videomodules
 • Transcoders • Car TV antennas • Accessories | SECURITY SYSTEMS — Car alarms • Bike alarms • Mechanical blockers • Immobilizers • Sensors • Accessories | OPTIC AND LIGHT — Xenon • Bixenon • Lamps
 • LED • Stroboscopes • Optic and Headlights • Washers • Light, rain sensors • Accessories | PARKTRONICS AND MIRRORS — Rear parktronic • Front parktronic • Combined parktronic • Rear-view mirrors
 • Accessories | HEATING AND COOLING — Seat heaters • Mirrors heaters • Screen-wipers heaters • Engine heaters • Auto-refrigerators • Air conditioning units • Accessories | TUNING — Vibro-isolation
 • Noise-isolation • Tint films • Accessories | ACCESSORIES — Radar-detectors • Handsfree, Bluetooth • Windowlifters • Compressors • Beeps, loudspeakers • Measuring instruments • Cleaners • Carsits
 • Miscellaneous | MOUNTING — Installation kits • Upholstery • Grilles • Tubes • Cable and wire • Tools • Miscellaneous | POWER — Batteries • Converters • Start-charging equipment • Capacitors
 • Accessories | MARINE AUDIO AND ELECTRONICS — Marine receivers • Marine audio speakers • Marine subwoofers • Marine amplifiers • Accessories | CAR CARE PRODUCTS — Additives • Washer fluid •
 Care accessories • Car polish • Flavors • Adhesives and sealants | LIQUID AND OIL — Motor oil • Transmission oil • Brake fluid • Antifreeze • Technical lubricant



In store "130" you can find and buy almost all necessary goods for your auto in Kyiv and other cities, delivery by ground and postal services. Our experienced consultants will provide you with exhaustive information and help you to chose the very particular thing. We are waiting for you at the address

<http://130.com.ua>



130.com.ua

F700HD

FULL HD H.264 VIDEO COMPRESSION TECHNOLOGY

High Definition Video Recorder 1080P High Video Resolution

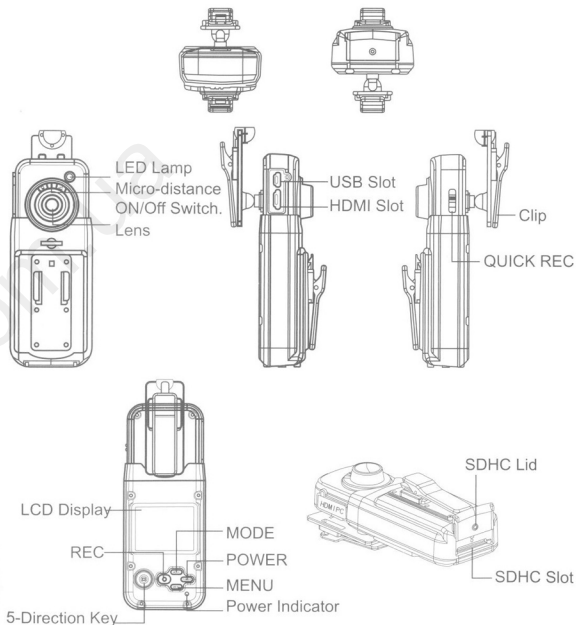
RoHS HDMI USB FC CE   Ver1.01

Autogood products "130"

Product Features

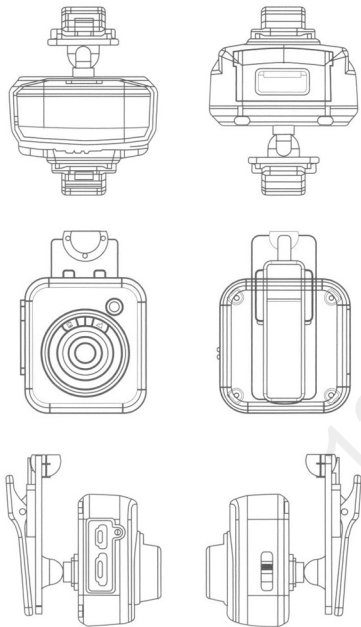
- World's first ultra-light portable camcorder with 1920x1080P High Video resolution surpassing traditional DV video recording quality, record your life with distinction.
- Replace low resolution and expensive camera and video recorder; using this camcorder for 1920x1080P high resolution recording, whether it is face recognition, number plate or other recognitions, everything will be clear at a glance.
- Suitable for recording during law enforcement by the police, outdoor activities recording, high resolution monitoring during evidence recognition, vehicle accident proof collection, criminal investigation, home monitoring, home activities, etc., using most distinct way to record and satisfies various needs.
- Unique split design making the host device light and handy, by using movable clip, it can be carried in many ways; further host device and extended device can also be fitted together. This design makes wearing more convenient, clip can be rotated and freely matched.
- Can conveniently face forward or at designated direction; owing to light and handy size, it will not droop while wearing on the shoulder or chest.
- Recorded files confidential protection is much stronger, deleting or editing are restricted with management rights, can support 32G SDHC memory card.
- Connect to computer directly, no need to regularly plug out the memory card and no need for card reader.
- Circulated recording feature without any interruption during recording.
- Built-in long life lithium battery can continuously run for more than 6 hrs.
- Super 4x digital zoom lens, can record clearly far away object.
- Unique micro-distance design can record clearly extremely close letter.
- Superb flash light, can choose mandatory or automatic option.
- High resolution HDMI output, video recording and picture will not be distorted when magnified to maximum resolution, more compact design for connection cable for host device and extended device.

Product Structure



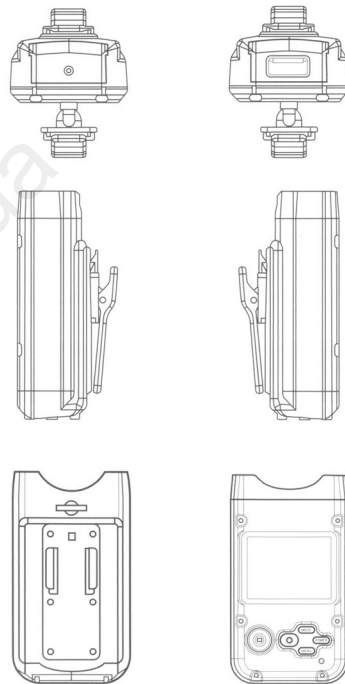
UP (Enlarge), DOWN (Minimize), LEFT (ON/OFF of the screen)
RIGHT (Quick switch of the flash light (ON/OFF/AUTO))
MIDDLE (Confirm and OK)

Host device structure



3

Extended device structure



4

Charging via Charger

Connect the USB cable, one end connects to USB port of the charger and the other end connect to USB port of camcorder, charging will start immediately.



Charging via USB port of computer

Use USB cable to connect to USB port of computer to start charging

※ Notes : When charging (by charger or computer port), switch ON the power and confirm for charging, select "CHARGE" appeared on the screen and you will be able to check the charging status. When charging, there will be "CHARGING" displayed on the LCD screen and "CHARGE COMPLETE" when completed charging.

Install SDHC card

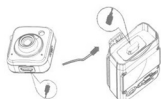
1. Turn open the screw and push the SDHC cap up to open, insert the memory card into the slot until the card is tightly fixed, pushes the SDHC cap downward and turn the screw close to complete the installation.
2. Press lightly on the memory card to take out the card, wait till the card spring out and remove the card.



※Notes :

1. To ensure normal usage of the device, please make sure to use SDHC card only.
2. Please format the SDHC card when you use it for the first time.
3. Please make sure the locker key of SD card is locked before using.
4. Please make sure to insert the card in a right direction, using opposite way to insert the card might damage the device and card.
5. After you inserted the SD card, camcorder will term the card as main storage, you will not be able to access previously saved data. You will be able to access the previously saved data after you remove the SD card.
6. When using the SD card, please do not remove it during operation, removing the card during this time will result in lost or damage of data.

Unique Split Design:
provided with especially designed connection cable for host device and extended device, when connected it is very convenient to make recording in different position and different angle.



5

Operation setting


Switch ON and Shut OFF

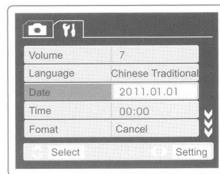
Switch ON: long press power button for 2 seconds or press quick recording switch, screen illuminating indicates switched ON.
Shut OFF: In any status after switching ON, long press power button for 2 seconds or press quick recording switch, screen becoming black indicates shut OFF.

Setting Date and Time

Date and Time can appear on the screen during shooting, hence you need to set up the Date and Time, and the procedures are as follows:

1. Switch ON the power, in any mode select "MENU" button to enter setup mode, press "Up"

button and then "Right" button to select setting options , press "down" button to select Date/Time, and then press "right" button to confirm the Date/Time settings, press "OK" button to complete Date/Time settings.



2. Under recording or photo mode, press "MENU" to enter the setting mode. Press "up"

button and then "right" button to select setting option , press "down" button to select "Time Seal" and then press "ON", Date/Time will be shown during recording then.

Notes:


The default factory password is 111111. Please enter password before making change to settings.

6

Operation Guide

Automatic switch off time setting

In order to conserve battery usage, the camcorder will enter screen protection mode after 20 seconds or you can set the time to shut off the device automatically, when the camcorder is not used for a certain amount of time the device will be shut off automatically. Under Power ON mode, select "MENU" button to enter the settings, press "up" button and then "right"


button to select setting options , press "down" button to select automatic shut off and then press "right" button to set the automatic shut off time.

Options Setting

1. Under any of Photo/Recording/Playback mode, press "MENU" to enter the related options setting.
2. Under any mode, press "down" button to select required working mode, press "OK" to confirm.

Recording mode

1. Switch ON the camcorder, select recording mode and

there will be a  sign on the top left corner of the screen to enter into "ready for recording" mode (as diagram indicated).

Or you could select quick recording switch to enter the recording mode.

2. Press "REC" button to start recording, and then press "REC" again to stop recording, Start/Stop recording will function in

this circulation. During recording,  sign on the top left corner of the screen will turn into blinking red  sign and timer will appear on the screen. When the time and recording stopped simultaneously, timer will disappear from the screen and blinking red  sign on top left corner of the screen will turn to recording "" sign.





(as diagram indicated)

Operation Guide

3. Flash light option

Press Quick flash button (right button) during recording, you will be able to select Flash


OFF , Automatic flash  (depending on external light environment, sufficient light will be automatically supplemented) or Mandatory flash 

Notes : Flash light will be automatically shut off when the battery is low with only one grid.

4. Circulated recording



Under recording mode, press button and change the option of circulated recording to "Yes" for uninterrupted circulated recording.

5. Photo mode

1. Switch ON the power and wait till the starting procedure is completed, under recording mode press "MODE" button to select Photo mode, immediately  sign will appear on the top left corner of the screen, now you are under Photo mode.



(as diagram indicated)

2. Focus the camcorder to the object, press "down" button for digital zooming.
3. When you pressed "REC" button, camcorder will make a "kar jar" sound to complete taking the picture.
4. Self-timer function
Under Photo mode, press option button to select "Self-timer", and then press "right" button to enter self-timer mode(10 seconds).
5. Distance Conversion mode option
When the switch is under , photo distance is from 1.5m to infinity. When the switch is under  mode, photo distance is 5cm.