



PHONES

0 (800) 800 130  
(050) 462 0 130  
(063) 462 0 130  
(067) 462 0 130

130  
COM.UA

Internet store of  
autogoods



SKYPE

km-130

CAR RECEIVERS — Receivers • Media receivers and stations • Native receivers • CD/DVD changers • FM-modulators/USB adapters • Flash memory • Facia plates and adapters • Antennas • Accessories |  
 CAR AUDIO — Car audio speakers • Amplifiers • Subwoofers • Processors • Crossovers • Headphones • Accessories | TRIP COMPUTERS — Universal computers • Model computers • Accessories |  
 GPS NAVIGATORS — Portable GPS • Built-in GPS • GPS modules • GPS trackers • Antennas for GPS navigators • Accessories | VIDEO — DVR • TV sets and monitors • Car TV tuners • Cameras • Videomodules  
 • Transcoders • Car TV antennas • Accessories | SECURITY SYSTEMS — Car alarms • Bike alarms • Mechanical blockers • Immobilizers • Sensors • Accessories | OPTIC AND LIGHT — Xenon • Bixenon • Lamps  
 • LED • Stroboscopes • Optic and Headlights • Washers • Light, rain sensors • Accessories | PARKTRONICS AND MIRRORS — Rear parktronic • Front parktronic • Combined parktronic • Rear-view mirrors  
 • Accessories | HEATING AND COOLING — Seat heaters • Mirrors heaters • Screen-wipers heaters • Engine heaters • Auto-refrigerators • Air conditioning units • Accessories | TUNING — Vibro-isolation  
 • Noise-isolation • Tint films • Accessories | ACCESSORIES — Radar-detectors • Handsfree, Bluetooth • Windowlifters • Compressors • Beeps, loudspeakers • Measuring instruments • Cleaners • Carsits  
 • Miscellaneous | MOUNTING — Installation kits • Upholstery • Grilles • Tubes • Cable and wire • Tools • Miscellaneous | POWER — Batteries • Converters • Start-charging equipment • Capacitors  
 • Accessories | MARINE AUDIO AND ELECTRONICS — Marine receivers • Marine audio speakers • Marine subwoofers • Marine amplifiers • Accessories | CAR CARE PRODUCTS — Additives • Washer fluid •  
 Care accessories • Car polish • Flavors • Adhesives and sealants | LIQUID AND OIL — Motor oil • Transmission oil • Brake fluid • Antifreeze • Technical lubricant



In store "130" you can find and buy almost all necessary goods for your auto in Kyiv and other cities, delivery by ground and postal services. Our experienced consultants will provide you with exhaustive information and help you to chose the very particular thing. We are waiting for you at the address

<https://130.com.ua>





by HARMAN

INSTALLATION MANUAL

EINBAUANLEITUNG

GUIDE D'INSTALLATION

MANUAL DE INSTALACION

MONTAGEHANDLEIDING

INSTALLATIONSMANUALE

INSTALLATIONSVEJLEDNING

UKOBODŮCTVO PO

RYKOBODCTBO

ANENUSOHJE

取付説明書

ANWISUNGSBÜCHER

MANUAL DE INSTALACIÓN

MANUAL DE INSTALACION

ANWISUNGSBÜCHER

MANUAL DE INSTALACION

KURBULUM KILAVUZU



# JBL® CS7 SERIES

car audio speaker

car-audio lautspreker

haut-parleur pour voiture

altávoz de audio para auto-

movil

audiolidspreker voor in de

auto

diffusore audio per auto-

mobile

bilhögtalare

bilhögtalare

autokatalin

автомобильный

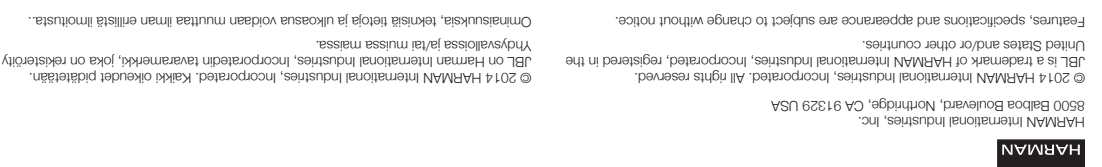
гłośnik samochodowy

coluna de som para automó

vel

с용 차용 스피커

арав hoparlörü



by HARMAN

INSTALLATION MANUAL

EINBAUANLEITUNG

GUIDE D'INSTALLATION

MANUAL DE INSTALACION

MONTAGEHANDLEIDING

INSTALLATIONSMANUALE

INSTALLATIONSVEJLEDNING

UKOBODŮCTVO PO

RYKOBODCTBO

ANENUSOHJE

取付説明書

ANWISUNGSBÜCHER

MANUAL DE INSTALACION

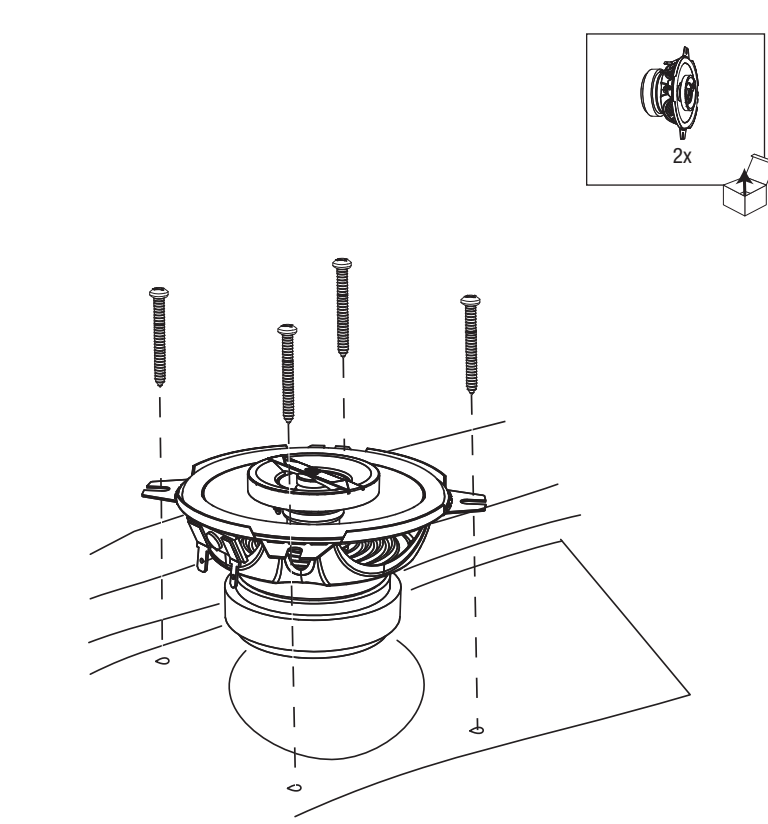
MANUAL DE INSTALACION

ANWISUNGSBÜCHER

MANUAL DE INSTALACION

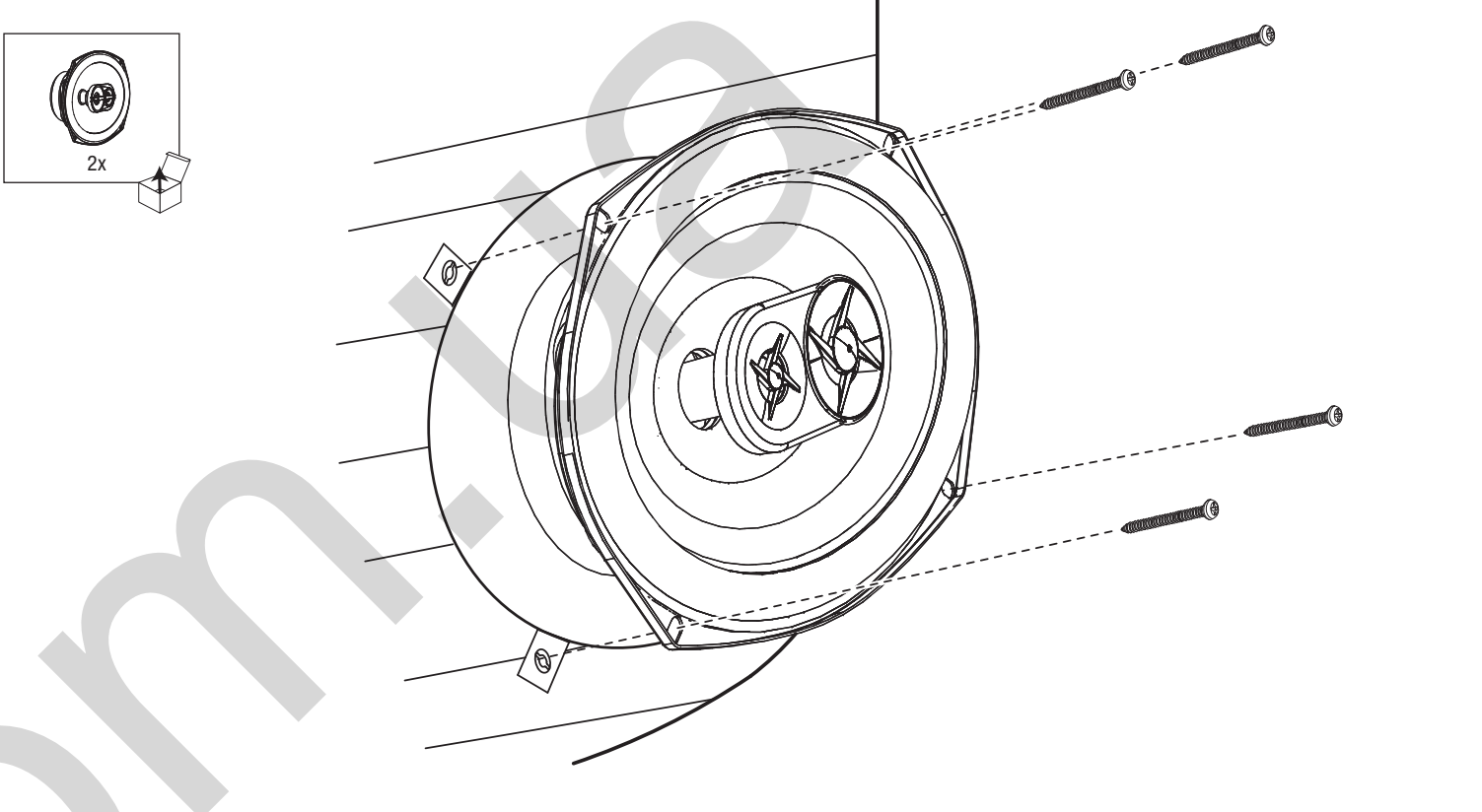
KURBULUM KILAVUZU

CS742

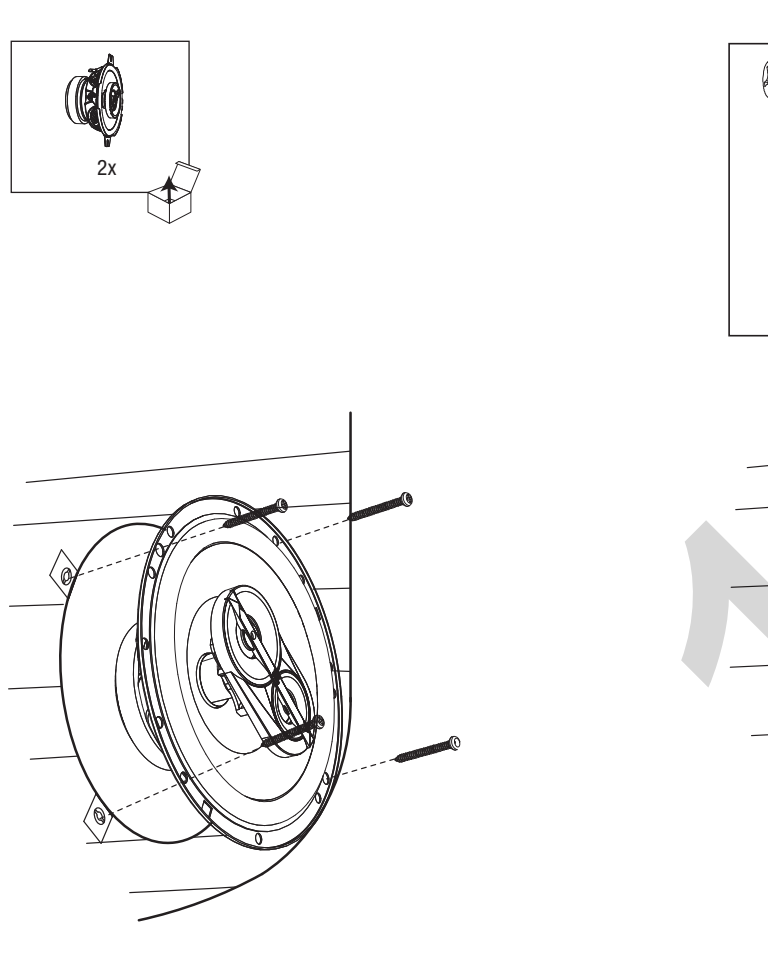


Break off tabs for two-hole mounting  
Für die 2-Lochmontierung die Klappen herausbrechen  
Languettes sécables pour montage à deux trous  
Romper las pestañas para montaje de doble agujero  
Afbreektabs voor twee-gatsmontage  
Linguette di apertura per montaggio a doppio foro  
Bryt av fläkar för två hål montering  
Aftbrækkelige tapper til to-huls-montering  
kaksireikäiselle asennukselle  
2穴マウント用爪(取付前に折り取る)  
折断用于双孔安装的接片  
Отрывное ушко для двух гнезда крепления  
Wyłamać zasłepki, aby zamontować głośnik dwiema  
otworami  
Guias de furação para montagem de dois orifícios  
揚折斷垂片以使用兩孔裝設  
iki delikli montaj için tirnakları kırın

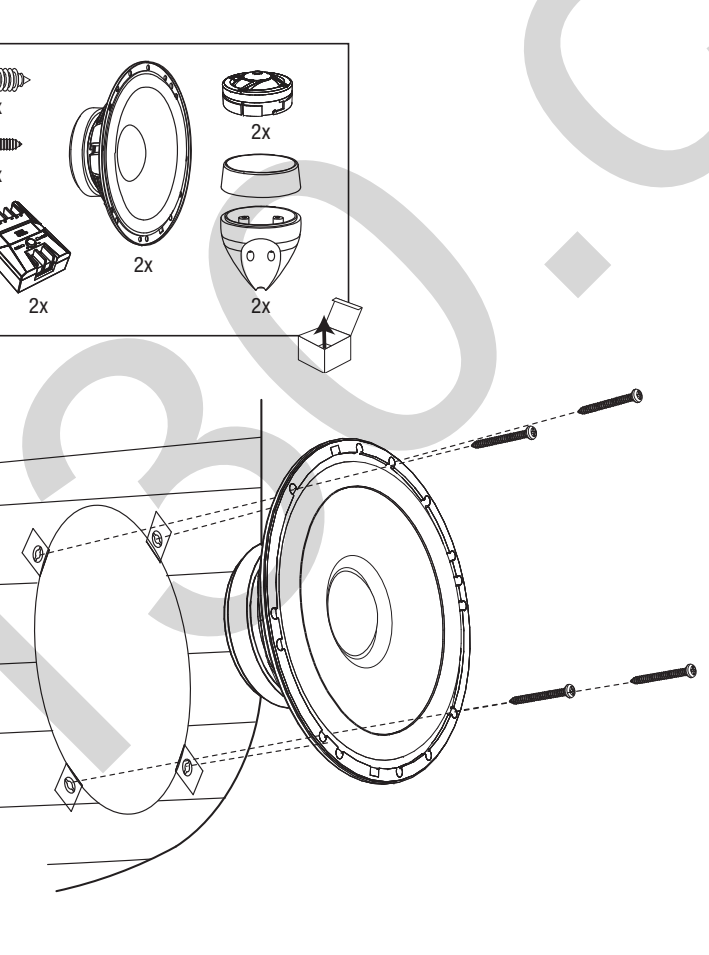
CS769



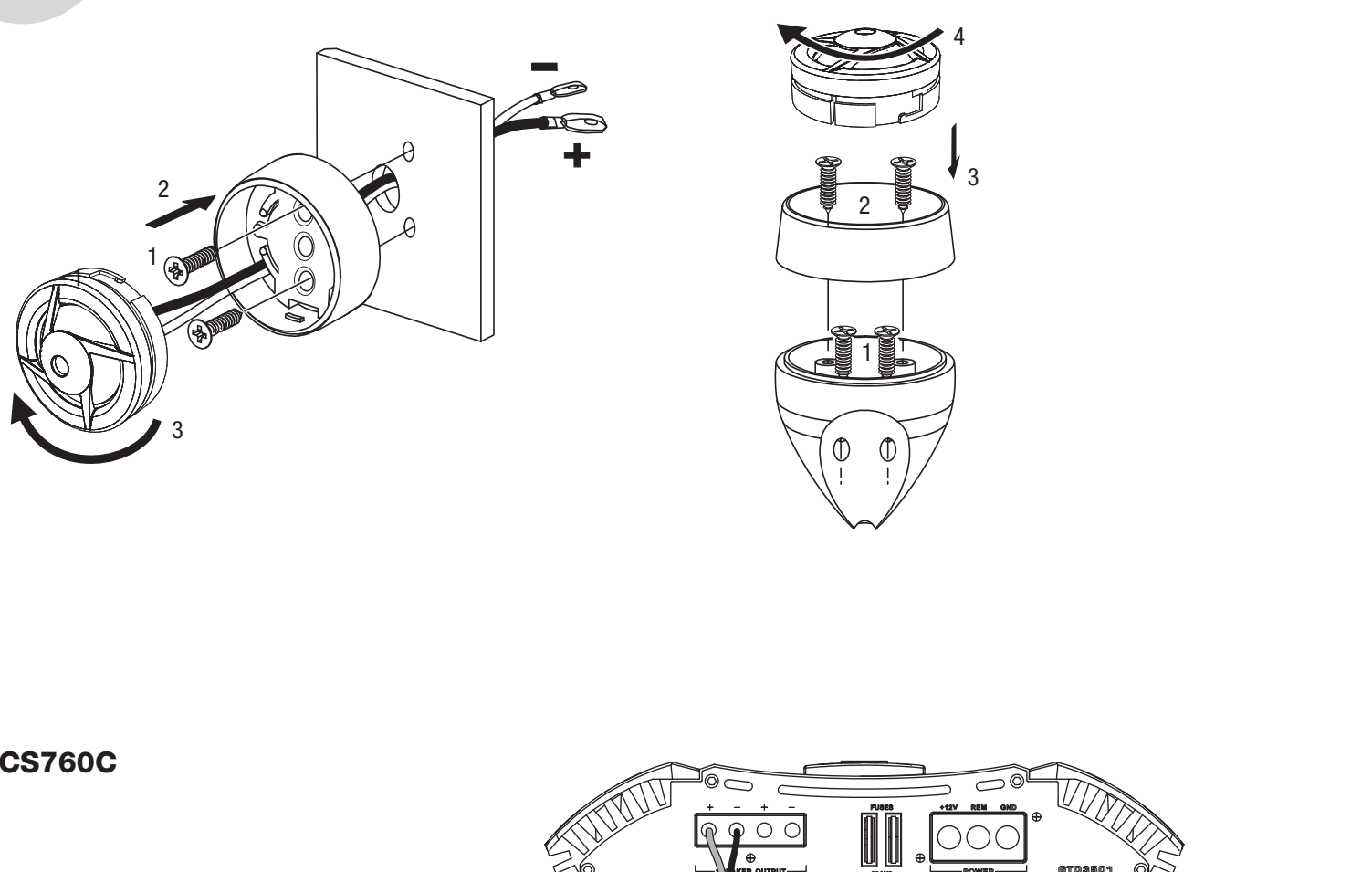
CS752, CS753, CS762, CS763



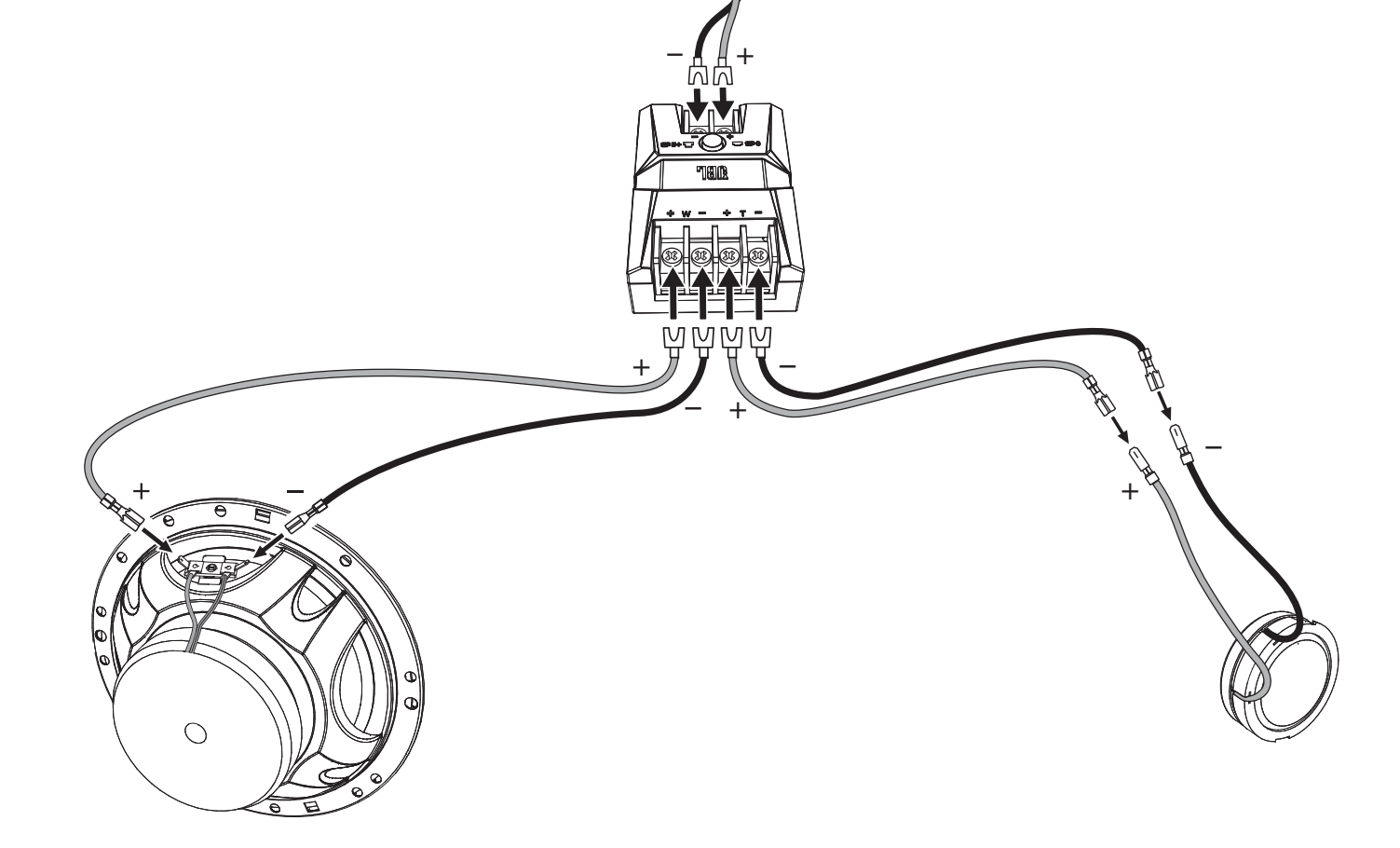
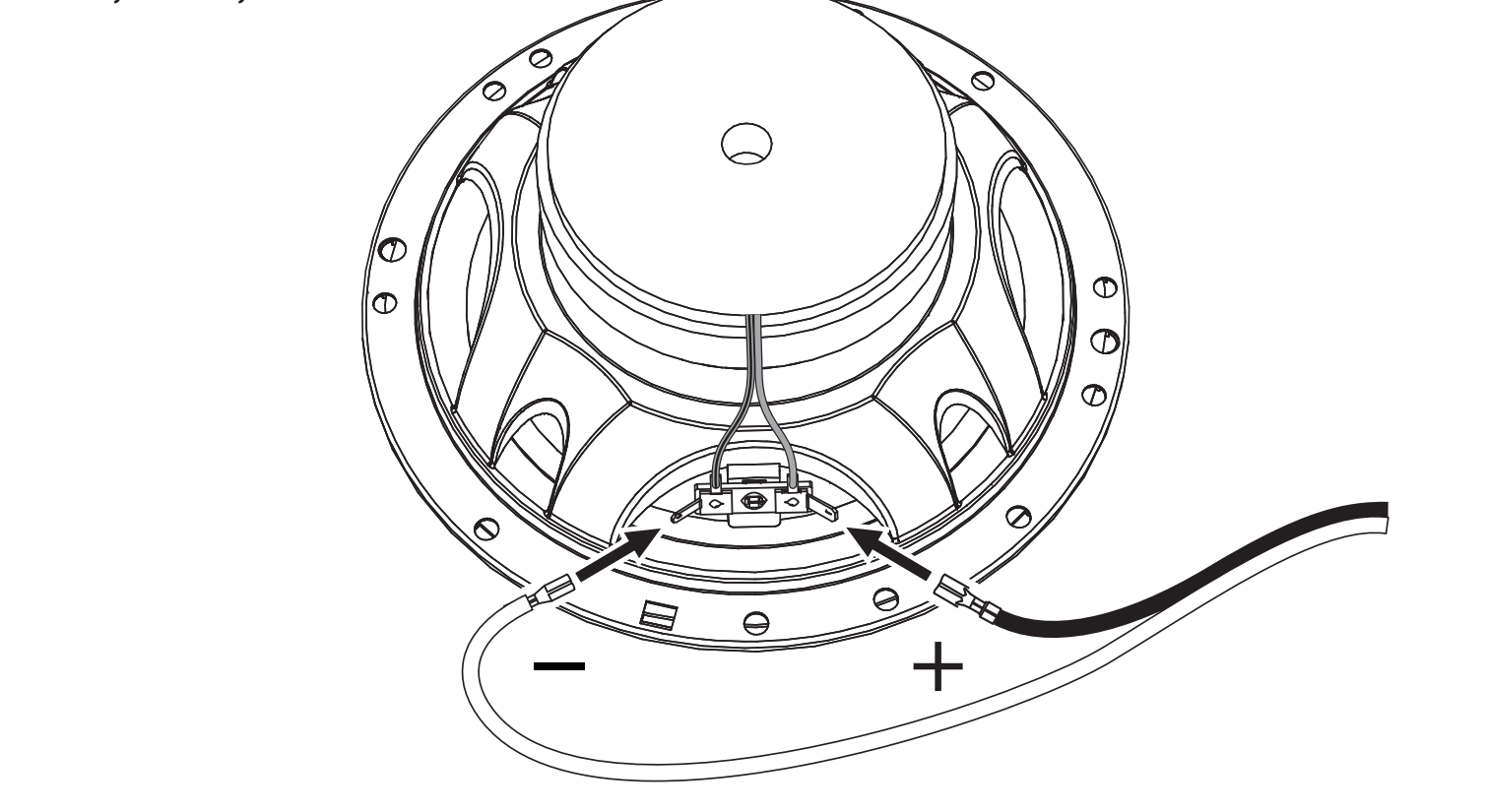
CS760C



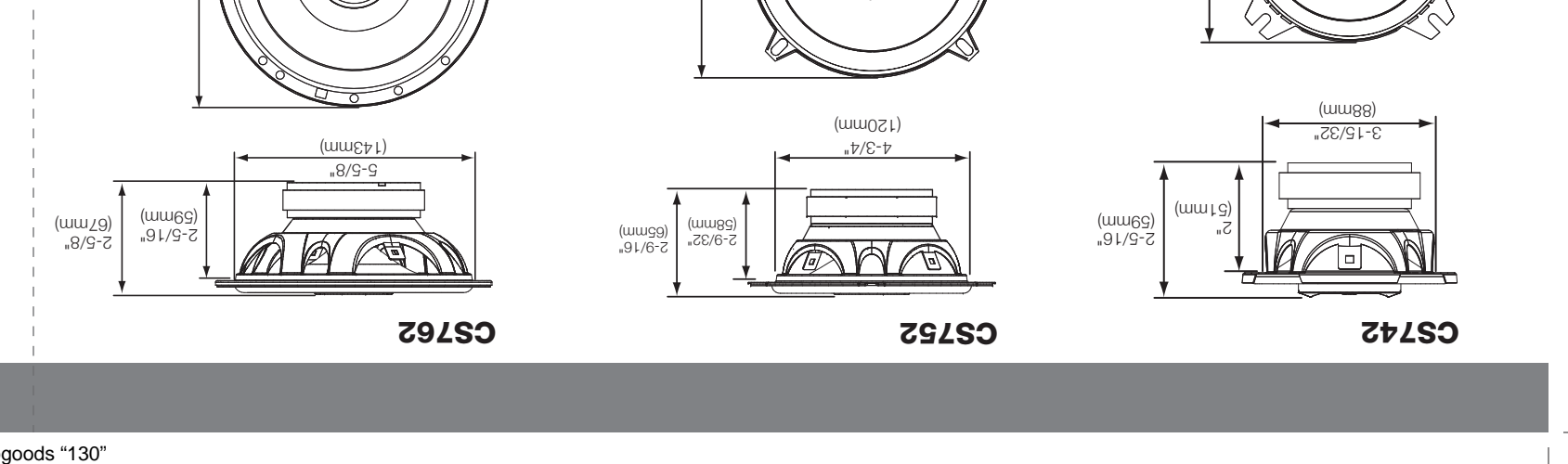
CS760C



CS742, CS752, CS753, CS762, CS763, CS769







SPECIFICATIONS	
Type	4" 2-Way LRSpeaker
Continuous power handling	30 W
Peak power handling	90 W
Frequency response	75 Hz - 20 kHz
Nominal impedance	4 Ohm
Mounting depth	51 mm
Mounting cutout diameter	3-1/2" (89mm)
External diameter	3-29/32" (99mm)
Internal diameter	120 mm
Mounting depth	51 mm
Mounting cutout diameter	3-1/2" (89mm)
External diameter	3-29/32" (99mm)
Internal diameter	120 mm
Mounting depth	51 mm
Mounting cutout diameter	3-1/2" (89mm)
External diameter	3-29/32" (99mm)
Internal diameter	120 mm

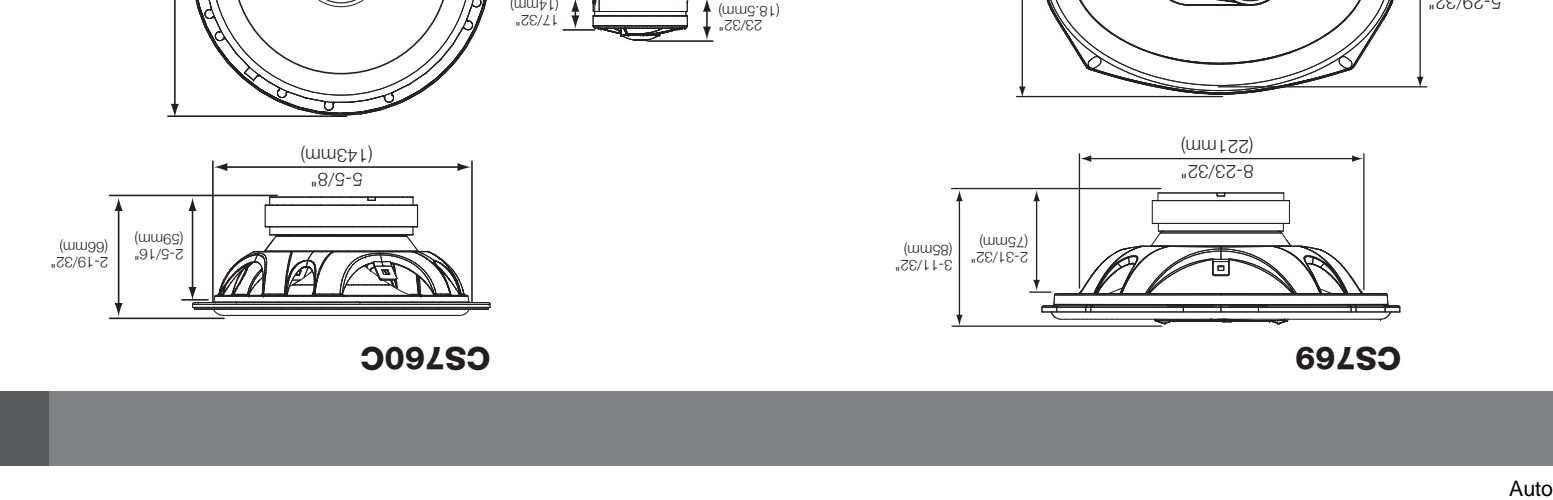
TECHNISCHE DATEN	
Type	4" 2-Way LRSpeaker
Continuous power handling	30 W
Peak power handling	90 W
Frequency response	75 Hz - 20 kHz
Nominal impedance	4 Ohm
Mounting depth	51 mm
Mounting cutout diameter	3-1/2" (89mm)
External diameter	3-29/32" (99mm)
Internal diameter	120 mm
Mounting depth	51 mm
Mounting cutout diameter	3-1/2" (89mm)
External diameter	3-29/32" (99mm)
Internal diameter	120 mm
Mounting depth	51 mm
Mounting cutout diameter	3-1/2" (89mm)
External diameter	3-29/32" (99mm)
Internal diameter	120 mm

CARACTÉRISTIQUES	
Type	haut-parleur deux voies
Puissance continue admissible	30 W
Puissance crête admissible	90 W
Largeur en fréquence	75 Hz - 20 kHz
Impédance nominale	4 Ohm
Profondeur de découpe	51 mm
Diamètre extérieur	3-29/32" (99mm)
Diamètre intérieur	120 mm
Profondeur de montage	51 mm
Profondeur totale	67 mm
Profil	
Profil	

ESPECIFICACIONES	
Type	altavoces de dos vías
Gestión de potencia continua	30 W
Gestión de potencia punta	90 W
Respuesta en frecuencia	75 Hz - 20 kHz
Impedancia nominal	4 Ohms
Diametro exterior	3-29/32" (99mm)
Diametro interior	120 mm
Profundidad de montaje	51 mm
Profundidad total	67 mm
Perfil	
Perfil	

SPECIFICATIÖES	
Type	luidsprekers tweewegs
Continue vermogen afname	30 W
Continue vermogen afname	90 W
Frequentie responsie	75 Hz - 20 kHz
Nominale impedantie	4 Ohms
Monte diepte	51 mm
Monte diameter	3-29/32" (99mm)
Interne diameter	120 mm
Monte diepte	51 mm
Monte diameter	3-29/32" (99mm)
Interne diameter	120 mm
Monte diepte	51 mm
Monte diameter	3-29/32" (99mm)
Interne diameter	120 mm

SPECIFICAÇÕES	
Type	altavoz de duas vias
Capacidade de potência contínuas	30 W
Capacidade de potência máxima	90 W
Resposta em frequência	75 Hz - 20 kHz
Impedância nominal	4 Ohms
Dímetro exterior	3-29/32" (99mm)
Dímetro interior	120 mm
Profundidade de montagem	51 mm
Profundidade total	67 mm
Perfil	
Perfil	



SPECIFIKATIONER	
Type	4" 2-Way LRSpeaker
Continuous power handling	35 W
Peak power handling	105 W
Frequency response	70 Hz - 20 kHz
Nominal impedance	4 Ohms
Mounting depth	99 mm
Mounting cutout diameter	3-29/32" (99mm)
External diameter	3-29/32" (99mm)
Internal diameter	143 mm
Mounting depth	99 mm
Mounting cutout diameter	3-29/32" (99mm)
External diameter	3-29/32" (99mm)
Internal diameter	143 mm
Mounting depth	99 mm
Mounting cutout diameter	3-29/32" (99mm)
External diameter	3-29/32" (99mm)
Internal diameter	143 mm

TEKNISET TIEDOT	
Type	4" 2-Way LRSpeaker
Continuous power handling	35 W
Peak power handling	105 W
Frequency response	70 Hz - 20 kHz
Nominal impedance	4 Ohms
Mounting depth	99 mm
Mounting cutout diameter	3-29/32" (99mm)
External diameter	3-29/32" (99mm)
Internal diameter	143 mm
Mounting depth	99 mm
Mounting cutout diameter	3-29/32" (99mm)
External diameter	3-29/32" (99mm)
Internal diameter	143 mm
Mounting depth	99 mm
Mounting cutout diameter	3-29/32" (99mm)
External diameter	3-29/32" (99mm)
Internal diameter	143 mm

ХАРАКТЕРИСТИКИ	
Тип	5.1-1/2" 2-канальный динамик
Макс. мощность	35 Вт
Макс. мощность	105 Вт
Диапазон частот	70 Гц - 20 кГц
Номинальное сопротивление	4 Ом
Внешний диаметр	3-29/32" (99 мм)
Внутренний диаметр	143 мм
Монтажная глубина	99 мм
Монтажная глубина	99 мм

ESPECIFICAÇÕES	
Type	altavoz de duas vias
Capacidade de potência contínuas	35 W
Capacidade de potência máxima	105 W
Resposta em frequência	70 Hz - 20 kHz
Impedância nominal	4 Ohms
Dímetro exterior	3-29/32" (99mm)
Dímetro interior	143 mm
Profundidade de montagem	99 mm
Profundidade total	99 mm
Perfil	
Perfil	