



PHONES

0 (800) 800 130  
(050) 462 0 130  
(063) 462 0 130  
(067) 462 0 130

130  
COM.UA

Internet store of  
autogoods



SKYPE

km-130

CAR RECEIVERS — Receivers • Media receivers and stations • Native receivers • CD/DVD changers • FM-modulators/USB adapters • Flash memory • Facia plates and adapters • Antennas • Accessories |  
CAR AUDIO — Car audio speakers • Amplifiers • Subwoofers • Processors • Crossovers • Headphones • Accessories | TRIP COMPUTERS — Universal computers • Model computers • Accessories |  
GPS NAVIGATORS — Portable GPS • Built-in GPS • GPS modules • GPS trackers • Antennas for GPS navigators • Accessories | VIDEO — DVR • TV sets and monitors • Car TV tuners • Cameras • Videomodules  
• Transcoders • Car TV antennas • Accessories | SECURITY SYSTEMS — Car alarms • Bike alarms • Mechanical blockers • Immobilizers • Sensors • Accessories | OPTIC AND LIGHT — Xenon • Bixenon • Lamps  
• LED • Stroboscopes • Optic and Headlights • Washers • Light, rain sensors • Accessories | PARKTRONICS AND MIRRORS — Rear parktronic • Front parktronic • Combined parktronic • Rear-view mirrors  
• Accessories | HEATING AND COOLING — Seat heaters • Mirrors heaters • Screen-wipers heaters • Engine heaters • Auto-refrigerators • Air conditioning units • Accessories | TUNING — Vibro-isolation  
• Noise-isolation • Tint films • Accessories | ACCESSORIES — Radar-detectors • Handsfree, Bluetooth • Windowlifters • Compressors • Beeps, loudspeakers • Measuring instruments • Cleaners • Carsits  
• Miscellaneous | MOUNTING — Installation kits • Upholstery • Grilles • Tubes • Cable and wire • Tools • Miscellaneous | POWER — Batteries • Converters • Start-charging equipment • Capacitors  
• Accessories | MARINE AUDIO AND ELECTRONICS — Marine receivers • Marine audio speakers • Marine subwoofers • Marine amplifiers • Accessories | CAR CARE PRODUCTS — Additives • Washer fluid •  
Care accessories • Car polish • Flavors • Adhesives and sealants | LIQUID AND OIL — Motor oil • Transmission oil • Brake fluid • Antifreeze • Technical lubricant



In store "130" you can find and buy almost all necessary goods for your auto in Kyiv and other cities, delivery by ground and postal services. Our experienced consultants will provide you with exhaustive information and help you to chose the very particular thing. We are waiting for you at the address

<https://130.com.ua>



## BRIEF INFORMATION

### Ultra Beam LED

- The classic worklight with LED technology
- Powerful light output
- For versatile use

### PRODUCT FEATURES

An LED variant has been added to the globally best-selling Ultra Beam range of worklights. The Ultra Beam LED offers high light output in a practical design, meaning that it can be used anywhere thanks to its compact dimensions.

The light output is a powerful 2,200 lumens. The light is distributed by a specially developed multi-faceted reflector, thus ensuring homogeneous illumination. Thanks to different lenses, this worklight can be used for close as well as long-range illumination. And because of its powerful light output, the Ultra Beam LED can replace xenon worklights – despite only having a power consumption of 30 watts.

This makes this worklight ideal for use on battery-powered vehicles or on vehicles where the alternator is already under a heavy load. The integrated electronics protect the device in the event of polarity inversion and guarantee constant brightness, even when the operating voltage fluctuates between 9 and 33 volts. This ensures that the worklight stays functional and guarantees safe working at night.

With a colour temperature of 6,500° Kelvin, the light from the LED worklight is very similar to daylight. This helps to distinguish colours more easily in the dark, and makes sensory perception through the human eyes much easier. This in turn prevents the eyes from tiring quickly when working at night.

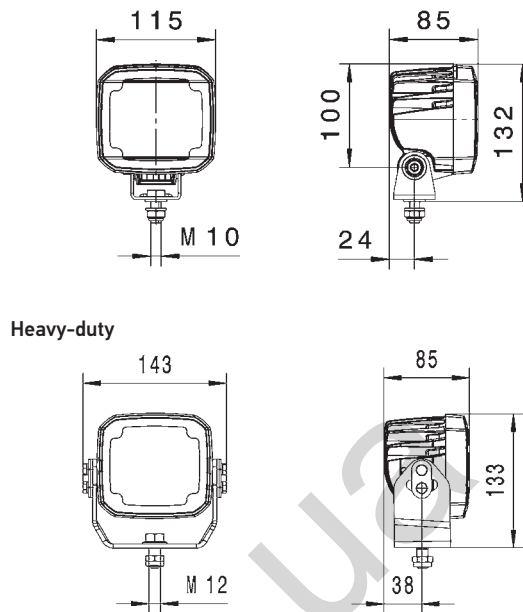
The worklight's black housing is made of aluminium and incorporates cooling fins. These ensure sufficient heat dissipation from the 9 high-power LEDs. Additionally, a temperature sensor protects the worklight from overheating. This is the only way the long service life of the LEDs (up to 30 times longer than a xenon gas-discharge lamp) can be exploited.

# TECHNICAL DETAILS

## Technical Data

|                                     |                            |
|-------------------------------------|----------------------------|
| Operating voltage/<br>Rated voltage | 9–33 V                     |
| Recommended angle of<br>inclination | Close-range: 12°, long: 5° |
| Light source type                   | 9 high-power LEDs          |
| Power consumption                   | 30 W                       |
| Light output                        | 2,200 lm                   |
| Colour temperature                  | 6,500° Kelvin              |
| Protection class                    | IP 6K9K and IP 6K8         |
| Type approval                       | Ⓜ, ECE-R10                 |
| Housing                             | Aluminium die cast         |
| Light exit area                     | 105 x 95 mm                |
| Weight                              | 1,040 g / 1,220 g (HD)     |

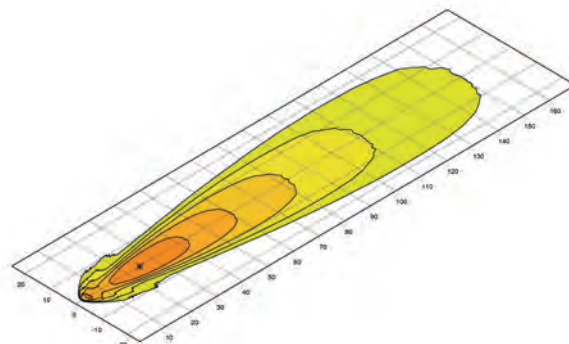
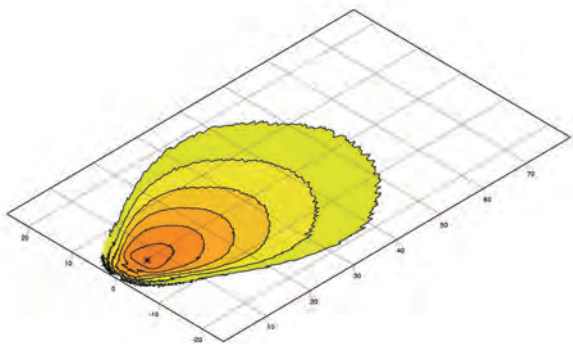
## Dimensional sketch



## RANGE OVERVIEW

| 1GA 995 506-...               | -001  | -011  | -031  | -081 |
|-------------------------------|-------|-------|-------|------|
| Close-range illumination      | X     | X     | -     | X    |
| Long-range illumination       | -     | -     | X     | -    |
| Upright mounting              | X     | -     | X     | X    |
| Suspended mounting            | -     | X     | X     | X    |
| Bracket width                 | 42 mm | 42 mm | 42 mm | -    |
| Heavy-duty bracket            | -     | -     | -     | X    |
| DEUTSCH plug                  | X     | X     | X     | X    |
| Nylon lens                    | X     | X     | X     | X    |
| Protected against overheating | X     | X     | X     | X    |
| Polarity reversal protection  | X     | X     | X     | X    |

## LIGHT DISTRIBUTION



Close-range illumination

Long-range illumination

