



PHONES

(044) 360-7-130
(050) 336-0-130
(063) 788-0-130
(067) 233-0-130
(068) 282-0-130

130 Internet store of autogoods

COM.UA



ICQ
294-0-130
597-0-130

SKYPE
km-130

CAR RECEIVERS — Receivers • Media receivers and stations • Native receivers • CD/DVD changers • FM-modulators/USB adapters • Flash memory • Facia plates and adapters • Antennas • Accessories | CAR AUDIO — Car audio speakers • Amplifiers • Subwoofers • Processors • Crossovers • Headphones • Accessories | TRIP COMPUTERS — Universal computers • Model computers • Accessories | GPS NAVIGATORS — Portable GPS • Built-in GPS • GPS modules • GPS trackers • Antennas for GPS navigators • Accessories | VIDEO — DVR • TV sets and monitors • Car TV tuners • Cameras • Videomodules • Transcoders • Car TV antennas • Accessories | SECURITY SYSTEMS — Car alarms • Bike alarms • Mechanical blockers • Immobilizers • Sensors • Accessories | OPTIC AND LIGHT — Xenon • Bixenon • Lamps • LED • Stroboscopes • Optic and Headlights • Washers • Light, rain sensors • Accessories | PARKTRONICS AND MIRRORS — Rear parktronic • Front parktronic • Combined parktronic • Rear-view mirrors • Accessories | HEATING AND COOLING — Seat heaters • Mirrors heaters • Screen-wipers heaters • Engine heaters • Auto-refrigerators • Air conditioning units • Accessories | TUNING — Vibro-isolation • Noise-isolation • Tint films • Accessories | ACCESSORIES — Radar-detectors • Handsfree, Bluetooth • Windowlifters • Compressors • Beeps, loudspeakers • Measuring instruments • Cleaners • Carsits • Miscellaneous | MOUNTING — Installation kits • Upholstery • Grilles • Tubes • Cable and wire • Tools • Miscellaneous | POWER — Batteries • Converters • Start-charging equipment • Capacitors • Accessories | MARINE AUDIO AND ELECTRONICS — Marine receivers • Marine audio speakers • Marine subwoofers • Marine amplifiers • Accessories | CAR CARE PRODUCTS — Additives • Washer fluid • Care accessories • Car polish • Flavors • Adhesives and sealants | LIQUID AND OIL — Motor oil • Transmission oil • Brake fluid • Antifreeze • Technical lubricant



In store "130" you can find and buy almost all necessary goods for your auto in Kyiv and other cities, delivery by ground and postal services. Our experienced consultants will provide you with exhaustive information and help you to chose the very particular thing. We are waiting for you at the address

<http://130.com.ua>

SUB di ECI

WOOFER

DS 250 300 Watt

Technical Specifications

Component:	Subwoofer	
Size	mm	250 (10")
Power Handling (Watt)	peak	300
	continuous program	150
Impedance	Ohm	4
Frequency response	Hz	32 - 400
Sensitivity	dB/SPL	90
Outer diameter	mm	258
Mounting hole diameter	mm	228
Magnet size	mm	115
Total depth	mm	130
Mounting depth	mm	118
Total driver displacement	lit	1.2
Weight of one component	Kg	2,175
Voice coil diameter	mm	38
Magnet	High density flux ferrite	
Cone	Water repellent, pressed paper	
Xmech*	mm	10

Xmech* maximum mechanic excursion: it indicates the motion range in the speaker linear functioning area, in both ways.

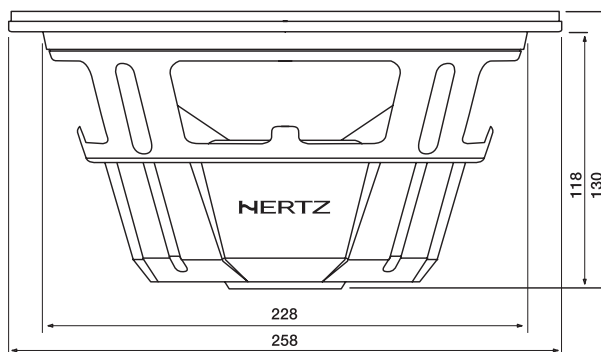
Electro-Acoustic Parameters

D	mm	213
Xmax	mm	4
Re	Ohm	3,5
Fs	Hz	35
Le	mH@1kHz	2,01
Le	mH@10kHz	0,82
Vas	lit	72
Mms	gr	52
Cms	mm/N	0,40
BL	T-m	8
Qts		0,56
Qes		0,61
Qms		6,70
Spl (1m/2,83V)	dB	90



- 1 Very high efficiency, superior power handling.
- 2 Pure copper voice coil, wound on aluminium former, for very good thermal and mechanical capacity.
- 3 Vented hole, for more linear excursion and better thermal dissipation.
- 4 Designed to be used in small sealed or reflex box.
- 5 Rubber magnet cover ensures protection and vibrations damping.
- 6 Protective grille included for a thrilling look and speaker protection.

*Grille included



dieci

The Dieci Line represents a new performance landmark in its category. Hertz aimed at obtaining high efficiency, maximum tonal quality and high grade tonal accuracy.

The speaker cones and voice coil formers are made of a special natural paper mixture. Foam surrounds and cotton spiders ensure mechanical reliability and optimal control even under high excursion conditions. The large motor allows tight control of the loudspeaker moving assembly for tight, dynamic output.

The Dieci line is the perfect speaker choice for factory OEM upgrades, direct head power or with high quality amplifiers.

Start the right way: with the first step into the Hertz world.

Thanks to the inverted phase plug and to the very light Mylar membrane, the **DT 16 TWEETER** manages to have the same technical and acoustical benefits of a conventional dome membrane component.

Compact **SIZE**



DIECI WOOFER cone is totally new: the pressed paper V-cone ensures maximum linearity and wide sound dispersion.

DIECI WOOFERS were designed for easy installations in OEM factory speaker locations and are optimized for unique acoustics found in the automotive environment.



The low-loss crossovers, provided with the coaxial and component systems, do not alter the original musical signal, always providing clear, powerful, undistorted sound.

DIECI COAX are provided with Neodimium magnet tweeter featuring built-in crossover for bursting dynamics and DIN size gasket for an easy installation in whatever factory locations.



DIECI SUBWOOFERS provide very high efficiency, as well as superior power handling. The pure copper voice coils are wound on aluminium formers, providing good thermal and mechanical capacity. The vented hole on the bottom plate allows better thermal dissipation and linear excursion.



The **DBX 250** enclosure is made of multi-layer laminated Plywood. The Xponential Flanged Duct ensures maximum linearity of the airflow, providing tight, dynamic bass. The angled rear wall allows easy installation and ensures diffusion of the rear wave for resonance-free performance.

