



PHONES

(044) 360-7-130  
(050) 336-0-130  
(063) 788-0-130  
(067) 233-0-130  
(068) 282-0-130

130  
COM.UA

Internet store of  
autogoods



ICQ  
294-0-130  
597-0-130

SKYPE  
km-130

CAR RECEIVERS — Receivers • Media receivers and stations • Native receivers • CD/DVD changers • FM-modulators/USB adapters • Flash memory • Facia plates and adapters • Antennas • Accessories |  
CAR AUDIO — Car audio speakers • Amplifiers • Subwoofers • Processors • Crossovers • Headphones • Accessories | TRIP COMPUTERS — Universal computers • Model computers • Accessories |  
GPS NAVIGATORS — Portable GPS • Built-in GPS • GPS modules • GPS trackers • Antennas for GPS navigators • Accessories | VIDEO — DVR • TV sets and monitors • Car TV tuners • Cameras • Videomodules  
• Transcoders • Car TV antennas • Accessories | SECURITY SYSTEMS — Car alarms • Bike alarms • Mechanical blockers • Immobilizers • Sensors • Accessories | OPTIC AND LIGHT — Xenon • Bixenon • Lamps  
• LED • Stroboscopes • Optic and Headlights • Washers • Light, rain sensors • Accessories | PARKTRONICS AND MIRRORS — Rear parktronic • Front parktronic • Combined parktronic • Rear-view mirrors  
• Accessories | HEATING AND COOLING — Seat heaters • Mirrors heaters • Screen-wipers heaters • Engine heaters • Auto-refrigerators • Air conditioning units • Accessories | TUNING — Vibro-isolation  
• Noise-isolation • Tint films • Accessories | ACCESSORIES — Radar-detectors • Handsfree, Bluetooth • Windowlifters • Compressors • Beeps, loudspeakers • Measuring instruments • Cleaners • Carbits  
• Miscellaneous | MOUNTING — Installation kits • Upholstery • Grilles • Tubes • Cable and wire • Tools • Miscellaneous | POWER — Batteries • Converters • Start-charging equipment • Capacitors  
• Accessories | MARINE AUDIO AND ELECTRONICS — Marine receivers • Marine audio speakers • Marine subwoofers • Marine amplifiers • Accessories | CAR CARE PRODUCTS — Additives • Washer fluid •  
Care accessories • Car polish • Flavors • Adhesives and sealants | LIQUID AND OIL — Motor oil • Transmission oil • Brake fluid • Antifreeze • Technical lubricant



In store "130" you can find and buy almost all necessary goods for your auto in Kyiv and other cities, delivery by ground and postal services. Our experienced consultants will provide you with exhaustive information and help you to chose the very particular thing. We are waiting for you at the address

<http://130.com.ua>

# COAX energy

## ECX 690 200 Watt

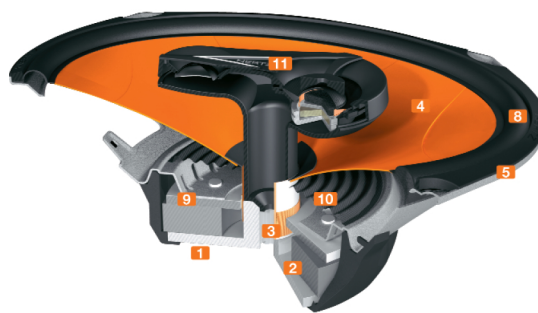


### Technical Specifications

<b>Component:</b>	3W Coaxial	
<b>Size</b>	mm	Woofers 6"x9" Tweeter 40 (1.5") Supertweeter 15 (19/32")
<b>Power Handling (Watt)</b>	peak	200
	continuous program	100
<b>Impedance</b>	Ohm	4
<b>Frequency response</b>	Hz	40 - 23K
<b>Sensitivity</b>	dB/SPL	95
<b>Outer diameter</b>	mm	237
<b>Mounting hole diameter</b>	mm	225
<b>Magnet size</b>	mm	100
<b>Total depth</b>	mm	98
<b>Mounting depth</b>	mm	78
<b>Weight of one component</b>	Kg	1,420
<b>Voice coil diameter</b>	mm	25

- 1 Low carbon content plates for maximum magnetic permeability and high heat dissipation.
- 2 Very big magnet for excellent voice coil control.
- 3 Pure copper voice coil wound on TII former, for very good thermal and mechanical capacity.
- 4 Water-repellent treated paper cone.
- 5 DIN size basket coated with scratch-proof, corrosive-resistant material.
- 6 Tin-plated, high current terminals.
- 7 Silver-plated lead wires for maximum reliability and conductivity.
- 8 High density rubber surround, glued with heat-resistant adhesive.
- 9 Epoxy glue for basket and motor system provides perfect coupling.
- 10 Curve memory Nomex spider for consistent, reliable performance.
- 11 Dome-Cone tweeter with high energy Neodymium magnet combined with a Mylar supertweeter. The best possible efficiency and high frequency extension.

\*Grille included



### Electro-Acoustic Parameters

<b>D</b>	mm	171
<b>Xmax</b>	mm	3,5
<b>Re</b>	Ohm	3,2
<b>Fs</b>	Hz	67
<b>Le</b>	mH@1kHz	0,62
<b>Le</b>	mH@10kHz	0,07
<b>Vas</b>	lit	25,2
<b>Mms</b>	gr	16,79
<b>Cms</b>	mm/N	0,338
<b>BL</b>	T-m	5,4
<b>Qts</b>		0,62
<b>Qes</b>		0,77
<b>Qms</b>		3,23
<b>Spl (1m/2,83V)</b>	dB	95

